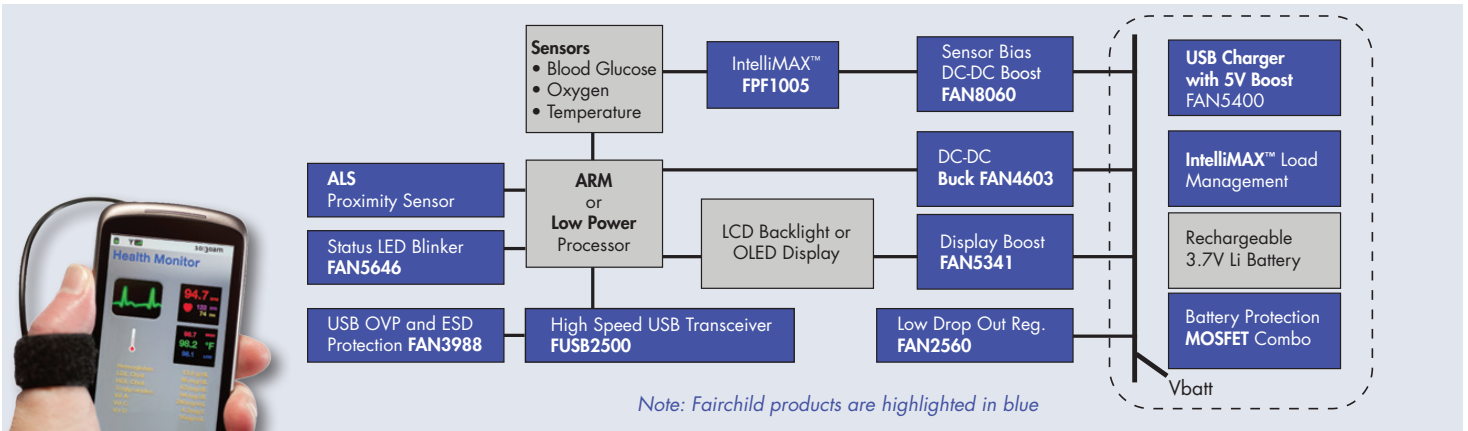


# PORTABLE MEDICAL SOLUTIONS



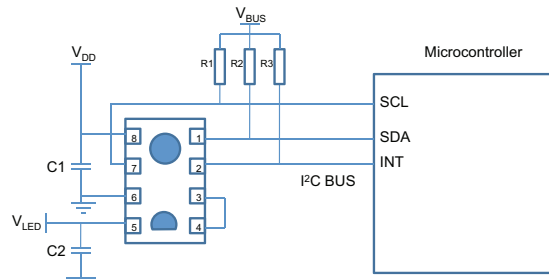
## Ambient Light Sensors

### FLD00060: 3-in-1 Ambient Light and Proximity Sensor

- 16 bits effective resolution
- Proximity sensing range: typ 50mm
- I<sup>2</sup>C interface
- Integrated IR emitter

### FLD00050: 2-in-1 Ambient Light and Proximity Sensor

- 16 bits effective resolution
- Proximity sensing range: typ 120mm (requires an external LED)
- I<sup>2</sup>C interface
- External IR emitter



Typical Application Circuit

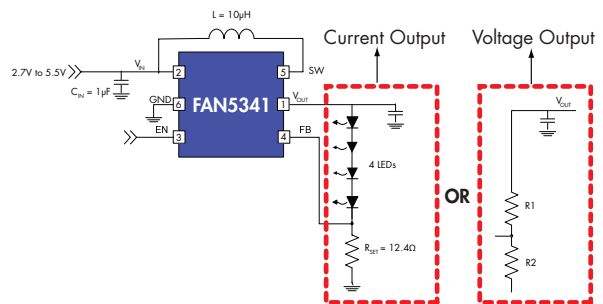
## Display

### FAN5341 - Asynchronous Serial LED Driver for 3 to 5W LEDs

- Up to 85% efficiency
- 1.2MHz switching frequency
- Passive matrix OLED capable driver
- Program up to 32 different LED brightness levels

### FAN5646 - Programmable Indicator "Soft" LED Blinker

- LED soft blink with logarithmic fade up and down
- Follow or repeat pattern modes when apps processor powered down
- TinyWire™ digital interface to program different lighting patterns



Typical Application Circuit

## USB

### FUSB2500 - USB PHY with Charger Detection

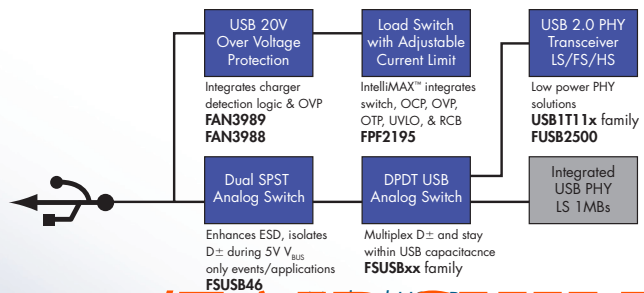
- Supports 12Mbps and 1.5Mbps USB2.0 speeds
- Single ended (SE) mode signaling

### FAN3988 - USB/Charger Detector with OVP/UVI Indication

- V<sub>BUS</sub> supply: 2.7V to 20V
- C<sub>ON</sub> of 1.5pF

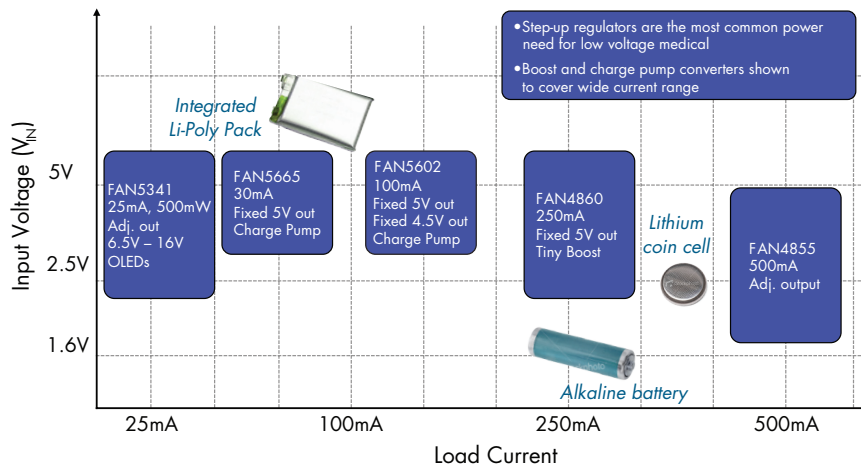
### FSUSB42 - High Speed USB2.0 DPST Switch with Dedicated Charger Port Detection

- C<sub>ON</sub> of 7.0pF
- Low power consumption μA max.



For data sheets, application notes, samples and more, please visit: [www.fairchildsemi.com/applications/medical](http://www.fairchildsemi.com/applications/medical)

## Integrated Step-Up Regulators



### IntelliMAX™ Family of Advanced Load Switches

Product Number	Functionality	$V_{IN}$ Range (V)	$R_{ON}$ (m $\Omega$ ) Typ.	Current Limit Minimum (mA)	Package Type
FPF1005/6	Slew rate control	0.8 – 5.5	20/50	Slew rate control	Thin MLP 2x2x.55
FPF1007/8/9					
FPF200x	Value current limiting	1.8 – 5.5	700	50, 100	SC70-6
FPF210x	Value reverse current protection	1.8 – 5.5	125	200, 400	SOT23-5
FPF216x / 219x	$\mu$ TCA over-current protection (full feature) with RCB	1.8 – 5.5	120/55	150 – 1500 Adj.	MLP 2x2 / CSP
FPF212x	Value 0.15A to 1.5A reverse current	1.8 – 5.5	125	150 – 1500 Adj.	SOT23-5
FPF217x	Output over-voltage protection (w/Schottky)	1.8 – 5.5	125	200	Power33
FPF221x	High precision current limiting (within 5-15%)	1.8 – 5.5	140	100 – 250 Adj.	MLP 2x2

### Dual MOSFETs in MLP Packaging

Product Number	$V_{DS}/V_{GS}$ (V)	Max. $R_{DS(ON)}$ @ 4.5V (m $\Omega$ )	Configuration	Typical Application
FDMA1024/1028NZ	20/(8/12)	54/68	Dual N	Power Switching
FDMA2002NZ	30/12	123	Dual N	Power Switching
FDMA1027P/1027PT	20/8	120	Dual P	ChargeFET/Switching
FDMA1025P	20/12	155	Dual P	ChargeFET/Switching
FDMA1029PZ	20/12	95	Dual P	ChargeFET/Switching
FDMA1023PZ	20/8	71	Dual P	ChargeFET/Switching
FDMA6023PZT	20/8	60	Dual P	ChargeFET
FDMA3023PZ	30/8	90	Dual P	ChargeFET

"Z" suffix denotes integrated Zener protection for rugged medical application requirements