

INNOLUX DISPLAY CORPORATION

LCD MODULE

SPECIFICATION

Customer: _____
 Model Name: AT102TN43
 SPEC NO.: A102-43-TT-01
 Date: 2007/04/05
 Version: 01

- Preliminary Specification
 Final Specification

For Customer's Acceptance

Approved by	Comment

Approved by	Reviewed by	Prepared by
黃郁良 4/10/07	周瑞淵 4/10/2007	陳裕文 4/10/2007

Record of Revision

Version	Revise Date	Page	Content
Pre-Spec. 01	2006/12/04		Initial release.
Pre-Spec. 02	2007/01/18	1,18	Add LCM weight
		2	Modify recommended model of LVDS connector
		3	Modify operation frequency in Note 2
		7	Add Note in power sequence
		9	Delete SYNC Mode & DE Mode timing conditions
		11	Modify value of θ_T
		17	Modify connector CN1
		19	Add packaging drawing
Finall-Spec.01	2007/04/05	1	Modify Backlight power consumption
			Modify Panel power consumption
		4	Modify Power Voltage V_{CC} Values
		5	Modify Current Consumption Values
		18	Modify Carton Weight
		11	Add Test Conditions 1
			Modify the test instrument of viewing angle from TOPCON BM-7 to ELDIM

Contents

1. General Specifications	1
2. Pin Assignment	2
2.1. TFT LCD Panel Driving Section	2
3. Operation Specifications	4
3.1. Absolute Maximum Rating	4
3.1.1. Typical Operation Conditions	5
3.1.2. Backlight Driving Conditions	6
3.2. Power Sequence	7
3.3. Timing Characteristics	8
3.3.1. Timing Conditions	8
3.3.2. Timing Diagram	9
4. Optical Specifications	11
5. Reliability Test Items	15
6. General Precautions	16
6.1. Safety	16
6.2. Handling	16
6.3. Static Electricity	16
6.4. Storage	16
6.5. Cleaning	16
7. Mechanical Drawing	17
8. Package Drawing	18
8.1. Packaging Material Table	18
8.2. Packaging Quantity	18
8.3. Packaging Drawing	19

1. General Specifications

No.	Item	Specification	Remark
1	LCD size	10.2 inch(Diagonal)	
2	Driver element	a-Si TFT active matrix	
3	Resolution	1024X3(RGB)X600	
4	Display mode	Normally white, Transmissive	
5	Dot pitch	0.0722(W)X0.2192(H) mm	
6	Active area	221.7984 (W)X131.52 (H) mm	
7	Module size	235.0(W)X145.8(H)X5.9(D) mm	Note 1
8	Surface treatment	Anti-Glare	
9	Color arrangement	RGB-stripe	
10	Interface	Digital (LVDS)	
11	Backlight power consumption	3.0W(Typ.)	
12	Panel power consumption	990mW(Typ.)	
13	Weight	258g(Typ.)	

Note 1: Refer to Mechanical Drawing.

2. Pin Assignment

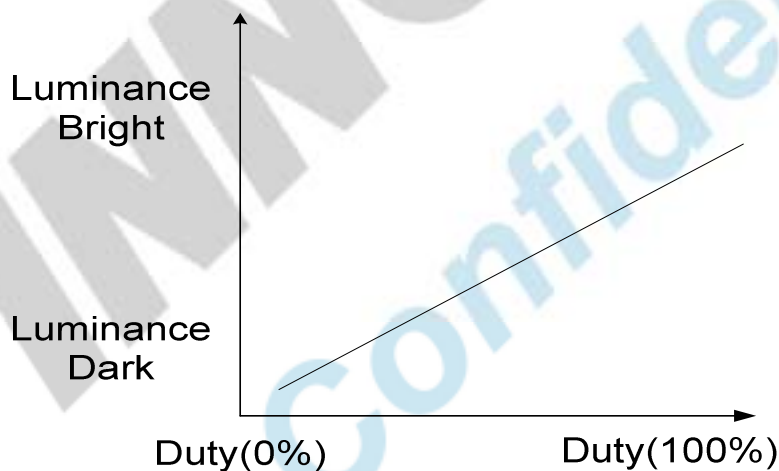
2.1. TFT LCD Panel Driving Section

LVDS Connector is used for the module electronics interface. The recommended model is MDF76KBW-30S-1H(58) manufactured by Hirose.

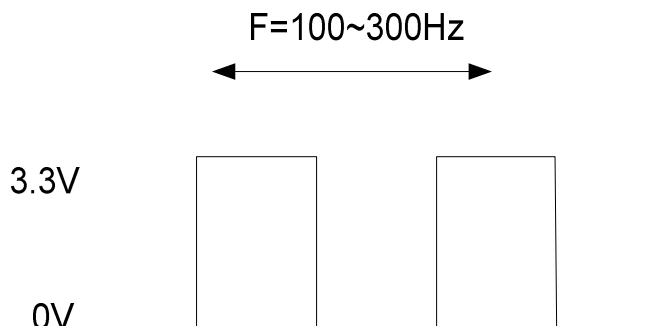
Pin No.	Symbol	I/O	Function	Remark
1	V _{CC}	P	Power supply,3.3V (typical)	
2	V _{CC}	P	Power supply,3.3V (typical)	
3	V _{CC}	P	Power supply,3.3V (typical)	
4	VSS	P	Ground	
5	VSS	P	Ground	
6	VSS	P	Ground	
7	VSS	P	Ground	
8	Rin0-	I	- LVDS differential data input (R0-R5,G0)	
9	Rin0+	I	+ LVDS differential data input (R0-R5,G0)	
10	VSS	P	Ground	
11	Rin1-	I	- LVDS differential data input (G1-G5,B0-B1)	
12	Rin1+	I	+ LVDS differential data input (G1-G5,B0-B1)	
13	VSS	P	Ground	
14	Rin2-	I	- LVDS differential data input (B2-B5,HS,VS,DE)	
15	Rin2+	I	+ LVDS differential data input (B2-B5,HS,VS,DE)	
16	VSS	P	Ground	
17	CiKIN-	I	-LVDS differential clock input	
18	CiKIN+	I	+LVDS differential clock input	
19	VSS	P	Ground	
20	Rin3-	I	- LVDS differential data input (R6-R7,G6-G7,B6-B7)	

21	Rin3+	I	+ LVDS differential data input (R6-R7,G6-G7,B6-B7)	
22	VSS	P	Ground	
23	VLED	P	Power supply for LED(+5V)	
24	VLED	P	Power supply for LED(+5V)	
25	GLED	P	Ground for LED	
26	GLED	P	Ground for LED	
27	NC	—	No Connection	
28	NC	—	No Connection	
29	ADJ	P	Adjust the Back Light brightness	Note1,2
30	NC	—	No Connection	

Note1:ADJ adjust brightness to control Pin,Pulse duty the bigger brighter.



Note 2:ADJ signal=0~3.3V,operation frequency:100~300Hz



版權屬於群創所有, 禁止任何未經授權的使用

The copyright belongs to InnoLux. Any unauthorized use is prohibited.

<http://www.BDTIC.com/InnoLux>

3. Operation Specifications

3.1. Absolute Maximum Rating

Item	Symbol	Values		Unit	Remark
		Min.	Max.		
Power Voltage	V_{CC}	-0.3	3.6	V	
	V_{LED}	-	5.5	V	
Input Signal Voltage	V_i	-0.3	6.3	V	Note 1
Operation Temperature	T_{OP}	-20	70	°C	
Storage Temperature	T_{ST}	-30	80	°C	
LED Reverse Voltage	V_r	-	1.2	V	each LED Note 2
LED Forward Current	I_F	-	25	mA	each LED

Note 1: The product is subject to be damaged permanently if stresses beyond those absolute maximum ratings listed above.

Note 2: V_r Conditions: Zener Diode 20mA

3.1.1. Typical Operation Conditions

Item	Symbol	Values			Unit	Remark
		Min.	Typ.	Max.		
Power Voltage	V_{LED}	4.8	5	5.2	V	
	V_{CC}	3.1	3.3	3.5	V	
Current Consumption	I_{LED}	-	650	850	mA	$V_{LED}=5.0V$
	I_{CC}	-	300	350	mA	$V_{CC}=3.3V$
Differential Input High Threshold	V_{THLVDS}	-	-	100.0	mV	$V_{cm}=1.2V$
Differential Input Low Threshold	V_{TLLVDS}	-100.0	-	-	mV	
LVDS Receiver Input Current	I_{in}	-	-	± 10.0	μA	$V_{IN}=2.4V$ or $0V$ $V_{DD}=3.6V$
LVDS Receiver Input Common Voltage	V_{cm}	0.2	-	1.9	V	$V_{DD}=3.3V$ $T_a=+25^\circ C$

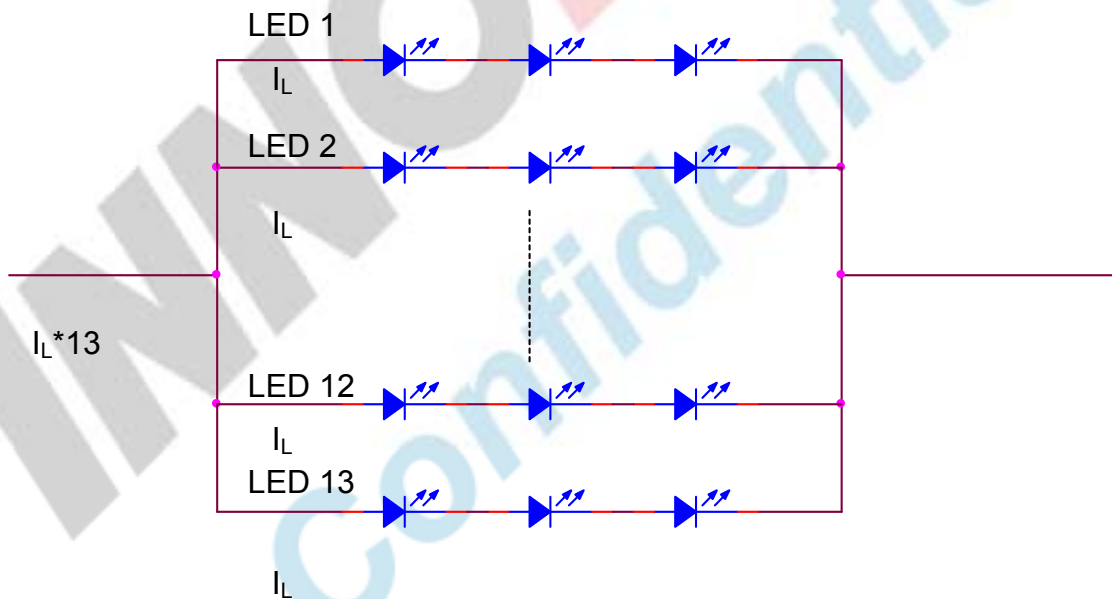
3.1.2. Backlight Driving Conditions

Item	Symbol	Values			Unit	Remark
		Min.	Typ.	Max.		
LED forward voltage	V_L	9.3	9.9	10.5	V	Note2, 3
LED forward current	I_L	18	20	22	mA	Note 3
LED life time	-	20,000	-	-	Hr	Note 1

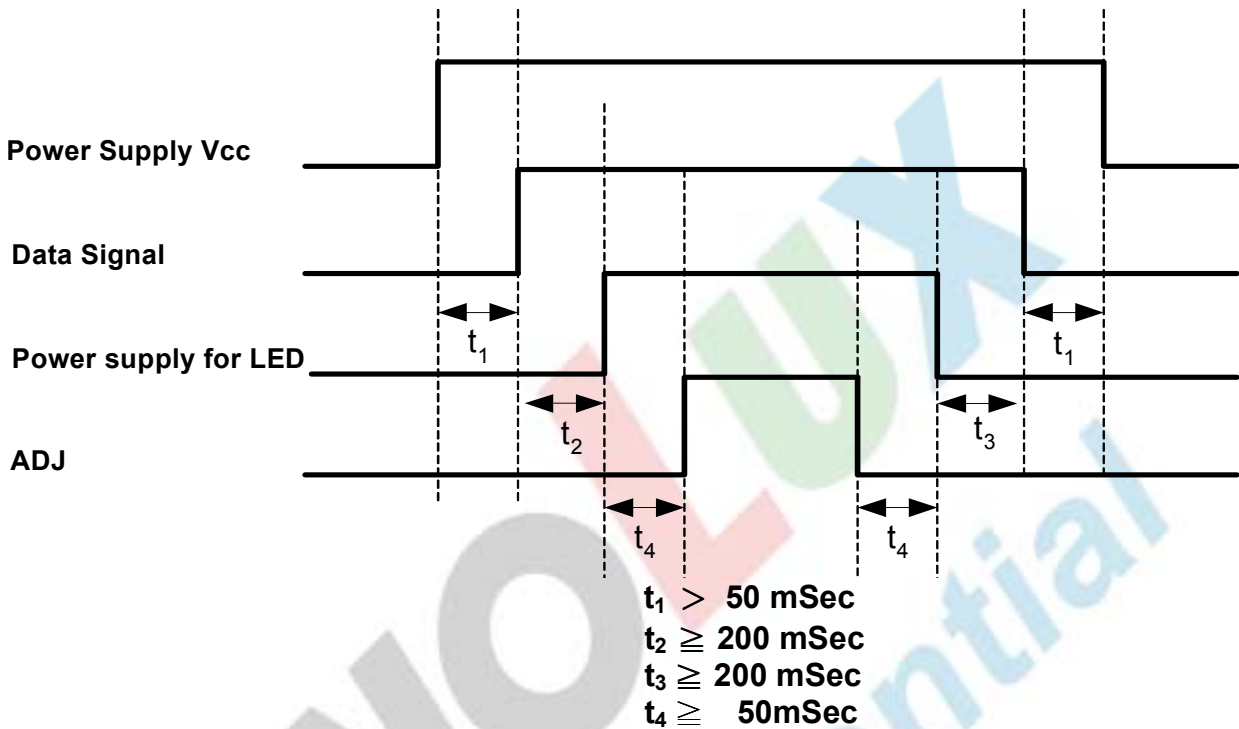
Note 1: The “LED life time” is defined as the module brightness decrease to 50% original brightness at $T_a=25^{\circ}\text{C}$ and $I_L=20\text{mA}$. The LED lifetime could be decreased if operating I_L is larger than 20 mA.

Note 2: The LED Supply Voltage is defined by the number of LED at $T_a=25^{\circ}\text{C}$ and $I_L=20\text{mA}$. In the case of 3pcs LED, $V_L=3.3*3=9.9\text{V}$

Note 3: The LED driving condition is defined for each LED module(3 LED Serial).



3.2. Power Sequence



Note: Data Signal includes Rin0- ~ Rin3-, Rin0+ ~ Rin3+, CLKIN-, CLKIN+.

3.3. Timing Characteristics

3.3.1. Timing Conditions

Switching Characteristics

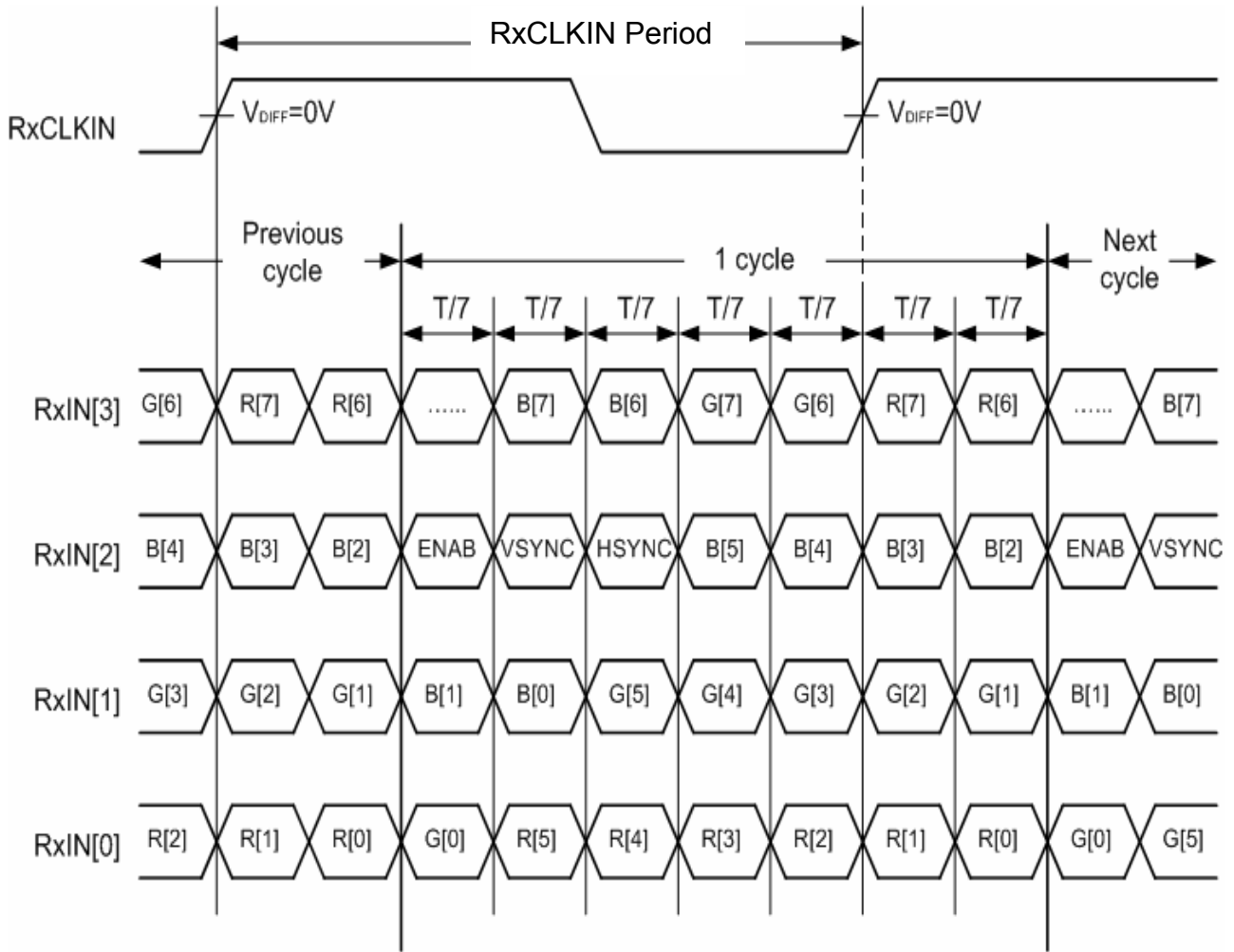
(recommended operating condition unless otherwise noted)

Item	Symbol	Values			Unit	Remark
		Min.	Typ.	Max.		
RxCLKIN Period	t _{RCP}	11.76	T	50	ns	Note 1
RxCLKIN High Time	t _{RCH}	-	T/2	-	ns	
RxCLKIN Low Time	t _{RCL}	-	T/2	-	ns	
PAD0/1 to RxCLKIN Delay	t _{RCD}	-	3T/7	-	ns	
Data Setup to RxCLKIN	t _{RS}	1.9	-	-	ns	
Data Hold from RxCLKIN	t _{RH}	3.0	-	-	ns	
Input Data Position 0(T=11.76ns)	T _{RIP1}	-0.4	0	0.4	ns	Note 2
Input Data Position 1(T=11.76ns)	T _{RIP0}	T/7-0.4	T/7	T/7+0.4	ns	Note 2
Input Data Position 2(T=11.76ns)	T _{RIP6}	2T/7-0.4	2T/7	2T/7+0.4	ns	Note 2
Input Data Position 3(T=11.76ns)	T _{RIP5}	3T/7-0.4	3T/7	3T/7+0.4	ns	Note 2
Input Data Position 4(T=11.76ns)	T _{RIP4}	4T/7-0.4	4T/7	4T/7+0.4	ns	Note 2
Input Data Position 5(T=11.76ns)	T _{RIP3}	5T/7-0.4	5T/7	5T/7+0.4	ns	Note 2
Input Data Position 6(T=11.76ns)	T _{RIP2}	6T/7-0.4	6T/7	6T/7+0.4	ns	Note 2

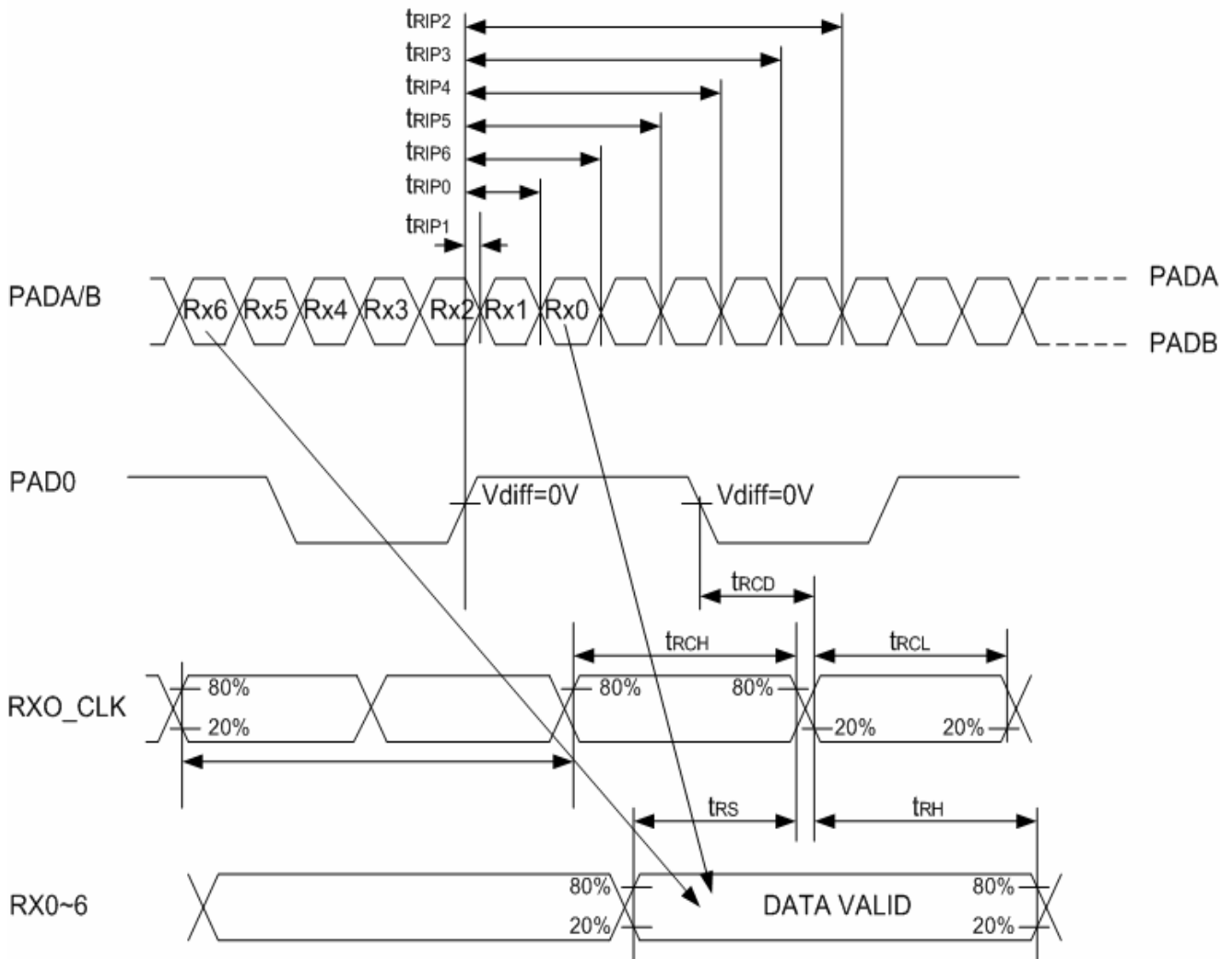
Note 1: T= RxCLKIN Period

Note 2 : VDD=3.3V , Ta=25°C

3.3.2. Timing Diagram



Note : R/G/B[7]s are MSBs and R/G/B[0]s are LSBs



LVDS AC Timing Diagrams

4. Optical Specifications

Item	Symbol	Condition	Values			Unit	Remark
			Min.	Typ.	Max.		
Viewing angle (CR≥ 10)	θ_L	$\Phi=180^\circ$ (9 o'clock)	70	80	-	degree	Note 1
	θ_R	$\Phi=0^\circ$ (3 o'clock)	70	80	-		
	θ_T	$\Phi=90^\circ$ (12 o'clock)	60	70	-		
	θ_B	$\Phi=270^\circ$ (6 o'clock)	70	80	-		
Response time	T_{ON}	Normal $\theta=\Phi=0^\circ$	-	10	20	msec	Note 3
	T_{OFF}		-	15	30	msec	Note 3
Contrast ratio	CR		400	500	-	-	Note 4
Color chromaticity	W_X		0.26	0.31	0.36	-	Note 2 Note 5 Note 6
	W_Y		0.28	0.33	0.38	-	
Luminance	L		250	300	-	-	Note 6
Luminance uniformity	Y_U		70	75	-	%	Note 7

Test Conditions:

1. Viewing angle is tested when $V_{black}=4.9V$; $V_{white}=0.6V$
2. $V_{CC}=3.3V$, $I_L=20mA$ (Backlight current), the ambient temperature is $25^\circ C$.
3. The test systems refer to Note 2.

Note 1: Definition of viewing angle range

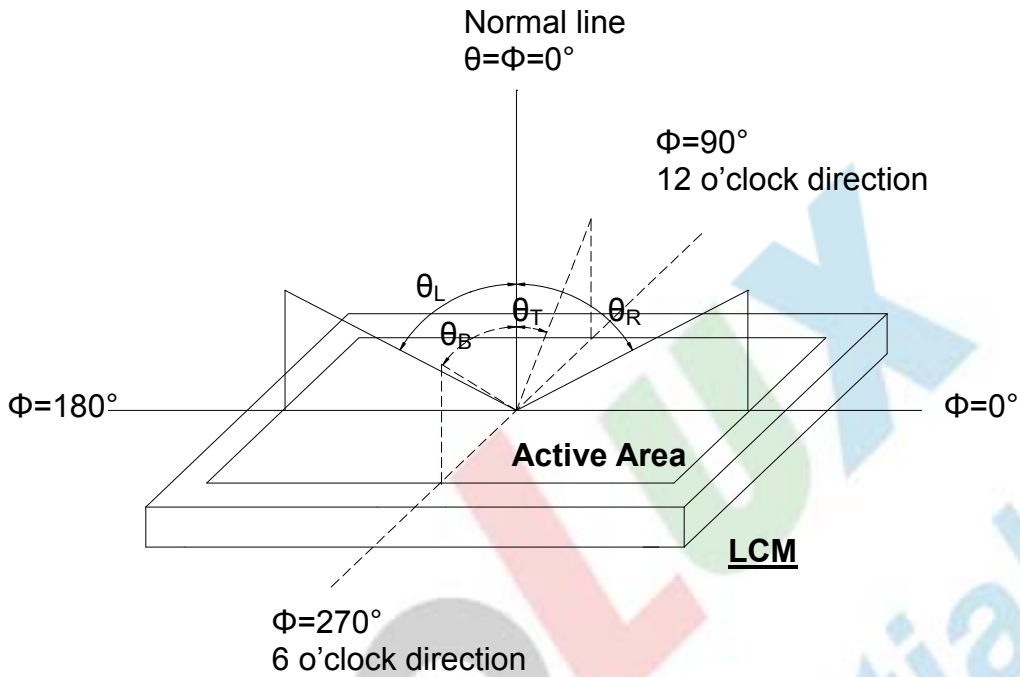


Fig. 4-1 Definition of viewing angle

Note 2: Definition of optical measurement system.

The optical characteristics should be measured in dark room. After 30 minutes operation, the optical properties are measured at the center point of the LCD screen. (Viewing angle is measured by ELDIM-EZ contrast/Height :1.2mm ,Response time is measured by Photo detector TOPCON BM-7, other items are measured by BM-5A/ Field of view: 1° /Height: 500mm.)

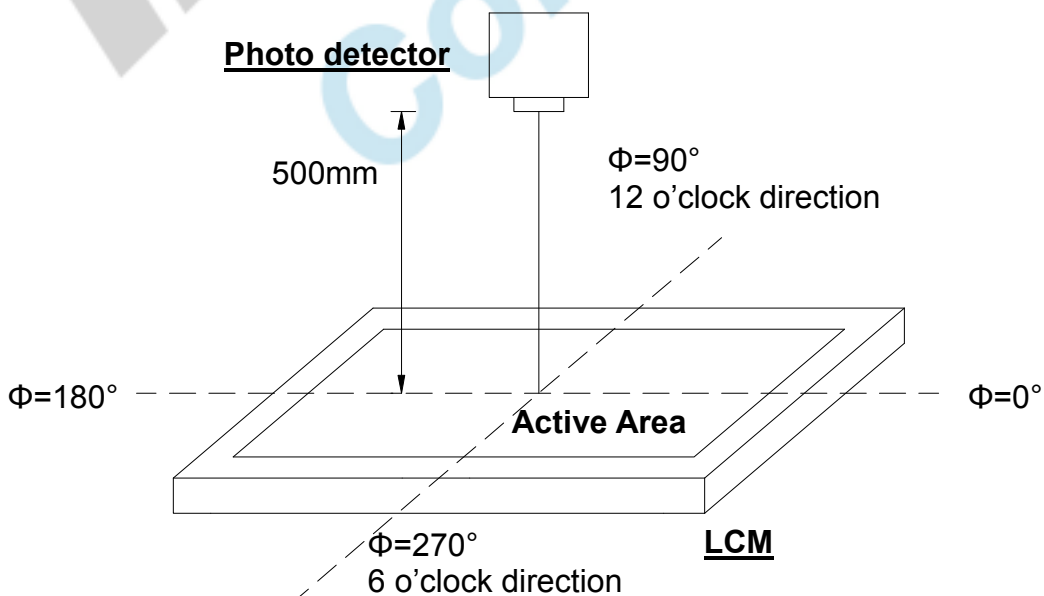


Fig. 4-2 Optical measurement system setup

Note 3: Definition of Response time

The response time is defined as the LCD optical switching time interval between "White" state and "Black" state. Rise time (T_{ON}) is the time between photo detector output intensity changed from 90% to 10%. And fall time (T_{OFF}) is the time between photo detector output intensity changed from 10% to 90%.

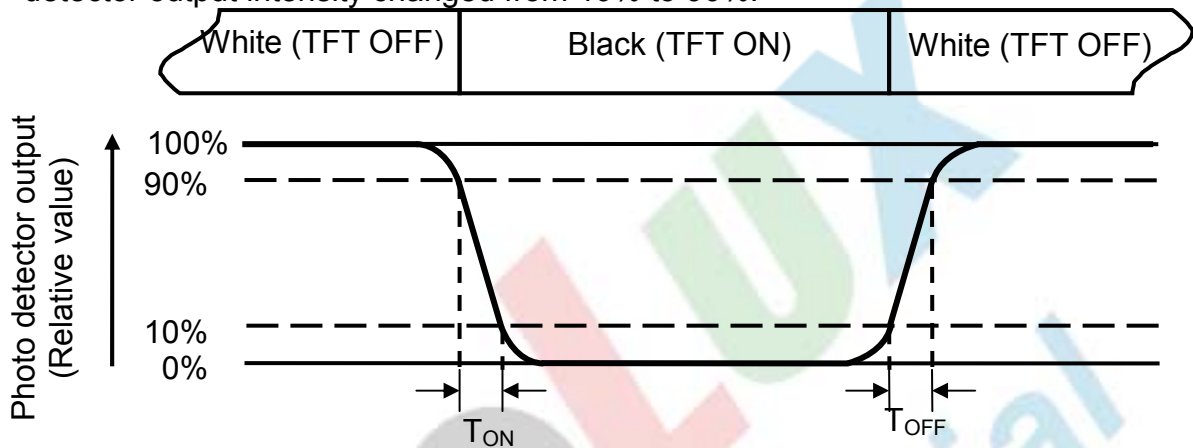


Fig. 4-3 Definition of response time

Note 4: Definition of contrast ratio

$$\text{Contrast ratio (CR)} = \frac{\text{Luminance measured when LCD on the "White" state}}{\text{Luminance measured when LCD on the "Black" state}}$$

Note 5: Definition of color chromaticity (CIE1931)

Color coordinates measured at center point of LCD.

Note 6: All input terminals LCD panel must be ground while measuring the center area of the panel. The LED driving condition is $I_L=20\text{mA}$ of which each LED module is 3 LED serial.

Note 7: Definition of Luminance Uniformity

Active area is divided into 9 measuring areas (Refer to Fig. 4-4).Every measuring point is placed at the center of each measuring area.

$$\text{Luminance Uniformity (Yu)} = \frac{B_{min}}{B_{max}}$$

L-----Active area length W----- Active area width

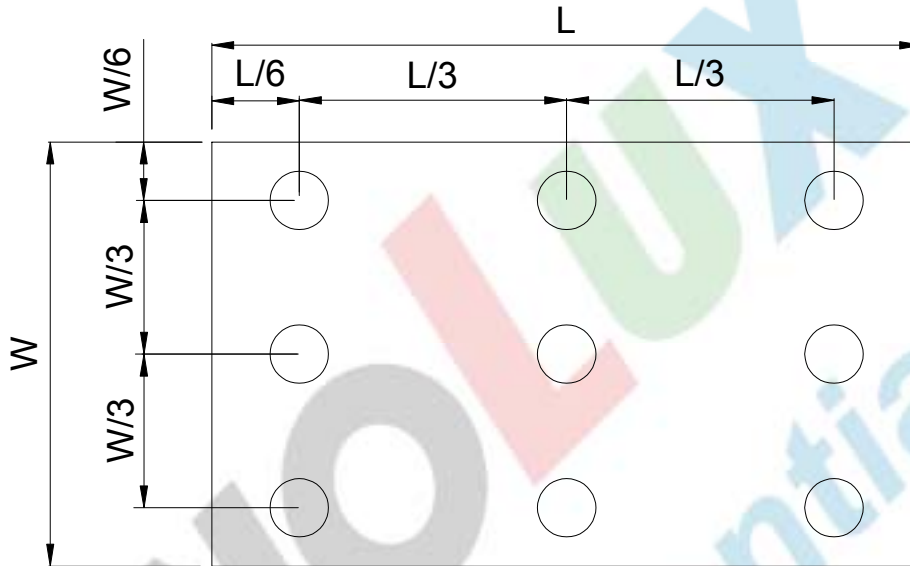


Fig. 4-4 Definition of measuring points

B_{max}: The measured maximum luminance of all measurement position.

B_{min}: The measured minimum luminance of all measurement position.

5. Reliability Test Items

(Note3)

Item	Test Conditions	Remark
High Temperature Storage	Ta = 80°C 240 hrs	Note 1,Note 4
Low Temperature Storage	Ta = -30°C 240hrs	Note 1,Note 4
High Temperature Operation	Ts = 70°C 240hrs	Note 2,Note 4
Low Temperature Operation	Ta = -20°C 240hrs	Note 1,Note 4
Operate at High Temperature and Humidity	+40°C, 90%RH max. 240 hrs	Note 4
Thermal Shock	(-30)°C/30 min ~ (+80)°C/30 min for a total 100 cycles, Start with cold temperature and end with high temperature.	Note 4
Vibration Test	Frequency range:10~55Hz Stroke:1.5mm Sweep:10Hz~55Hz~10Hz 2 hours for each direction of X. Y. Z. (6 hours for total)	
Mechanical Shock	100G 6ms,±X, ±Y, ±Z 3 times for each direction	
Package Vibration Test	Random Vibration : 0.015G*G/Hz from 5-200HZ, -6dB/Octave from 200-500HZ 2 hours for each direction of X. Y. Z. (6 hours for total)	
Package Drop Test	Height:60 cm 1 corner, 3 edges, 6 surfaces	
Electro Static Discharge	± 2KV, Human Body Mode, 100pF/1500Ω	

Note 1: Ta is the ambient temperature of samples.

Note 2: Ts is the temperature of panel's surface.

Note 3: In the standard condition, there shall be no practical problem that may affect the display function. After the reliability test, all the measurement shall be executed after the product is left alone for two hours; and the product only guarantees operation, but dosen't guarantee all the cosmetic specification.

Note 4: Before cosmetic and function tests , the product must have enough recovery time, at least 2 hours at room temperature. 何未經授權的使用

The copyright belongs to InnoLux. Any unauthorized use is prohibited.

<http://www.BDTIC.com/InnoLux>

6. General Precautions

6.1. Safety

Liquid crystal is poisonous. Do not put it in your mouth. If liquid crystal touches your skin or clothes, wash it off immediately by using soap and water.

6.2. Handling

1. The LCD panel is plate glass. Do not subject the panel to mechanical shock or to excessive force on its surface.
2. The polarizer attached to the display is easily damaged. Please handle it carefully to avoid scratch or other damages.
3. To avoid contamination on the display surface, do not touch the module surface with bare hands.
4. Keep a space so that the LCD panels do not touch other components.
5. Put cover board such as acrylic board on the surface of LCD panel to protect panel from damages.
6. Transparent electrodes may be disconnected if you use the LCD panel under environmental conditions where the condensation of dew occurs.
7. Do not leave module in direct sunlight to avoid malfunction of the ICs.

6.3. Static Electricity

1. Be sure to ground module before turning on power or operating module.
2. Do not apply voltage which exceeds the absolute maximum rating value.

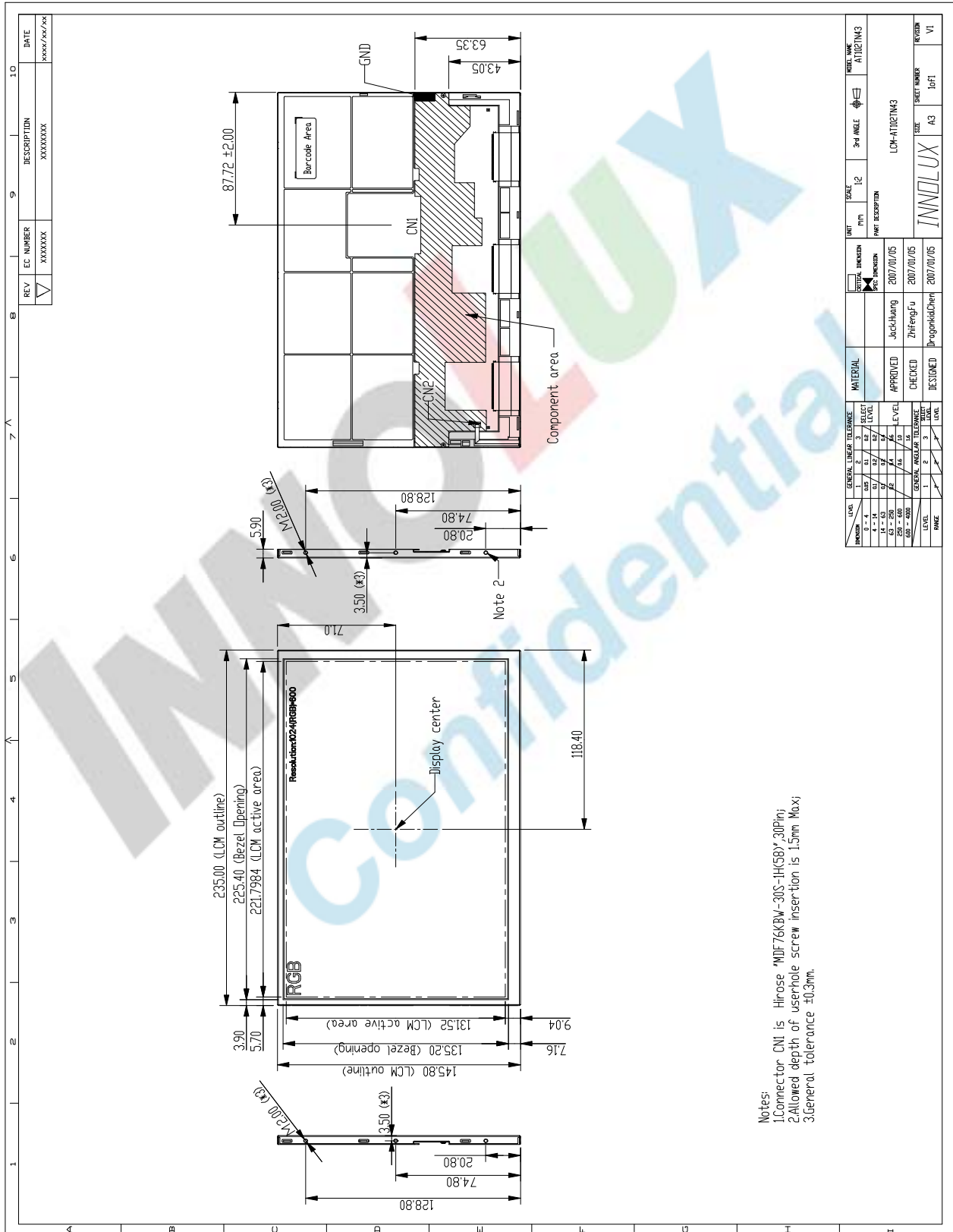
6.4. Storage

1. Store the module in a dark room where must keep at $25\pm 10^{\circ}\text{C}$ and 65%RH or less.
2. Do not store the module in surroundings containing organic solvent or corrosive gas.
3. Store the module in an anti-electrostatic container or bag.

6.5. Cleaning

1. Do not wipe the polarizer with dry cloth. It might cause scratch.
2. Only use a soft sloth with IPA to wipe the polarizer, other chemicals might permanent damage to the polarizer.

7. Mechanical Drawing



版權屬於群創所有，禁止任何未經授權的使用

The copyright belongs to InnoLux. Any unauthorized use is prohibited.

<http://www.BDTIC.com/InnoLux>

8. Package Drawing

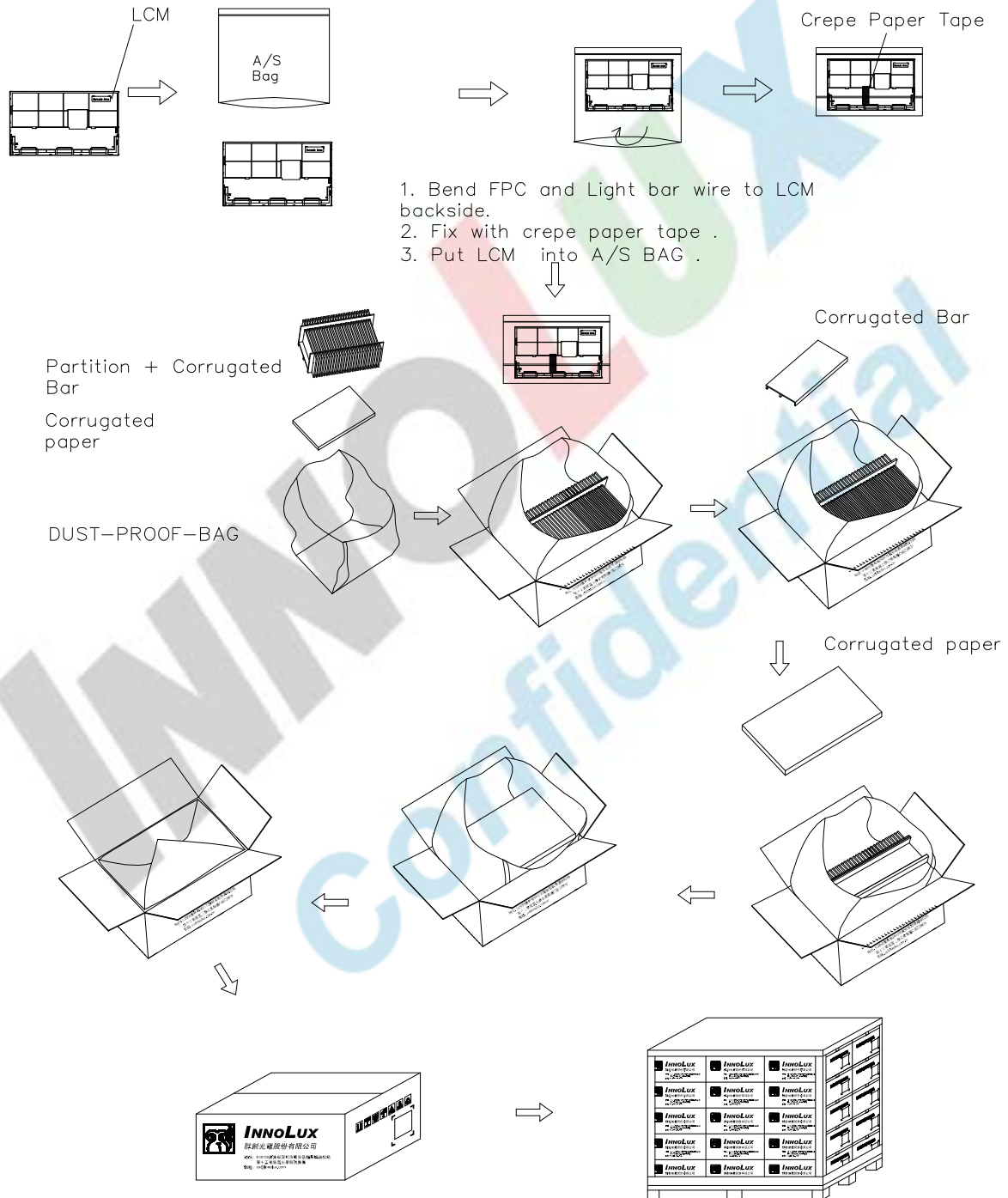
8.1. Packaging Material Table

No.	Item	Model (Material)	Dimensions(mm)	Unit Weight (kg)	Quantity	Remark
1	LCM Module	AT102TN43	235.0X145.8X5.9	0.258	25pcs	
2	Partition	BC Corrugated paper	512X349X226	1.350	1	
3	Partition Paper	B Corrugated paper	510X350X7	0.148	2	
4	Corrugated Bar	B Corrugated paper	512X370X7	0.110	2	
5	Dust-Proof Bag	PE	900X700X0.05	0.010	1	
6	A/S Bag	PE	280X200X0.05	0.001	25	10 ⁹ ~ 10 ¹¹ Ω/sq
7	Carton	Corrugated paper	530X355X255	1.100	1	
8	Total weight	9.451kg ± 5%				

8.2. Packaging Quantity

Total LCM quantity in Carton: no. of Partition	1 Rows x quantity per Row 25 = 25
--	-----------------------------------

8.3. Packaging Drawing



版權屬於群創所有，禁止任何未經授權的使用

The copyright belongs to InnoLux. Any unauthorized use is prohibited.

<http://www.BDTIC.com/InnoLux>