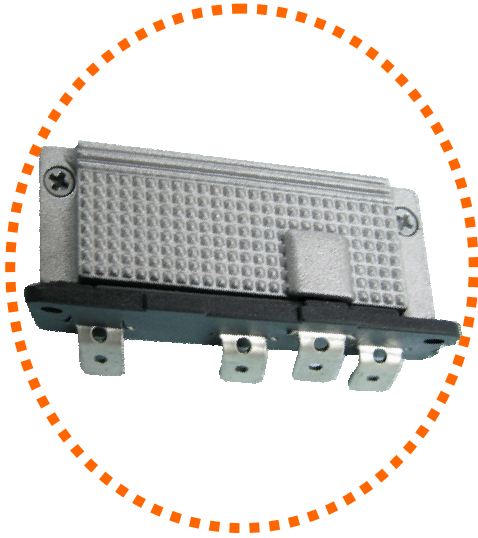


**UniOhm**

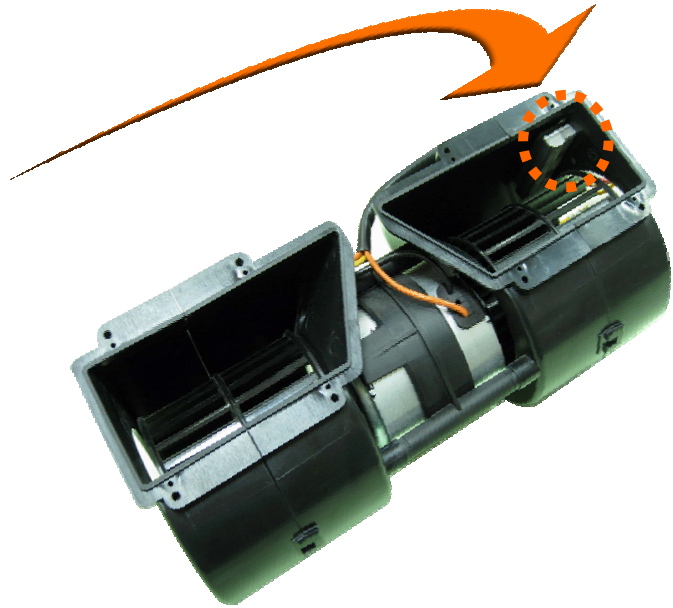
*u need it!*

**SUPERIOR QUALITY RESISTORS**

**AUTOMOTIVE RESISTORS**



**ALU 100W**



**CAR Air Blower**

- Low value resistance with higher power dissipation
- Double value with thermal fuse Protection
- Speed control for fan motor
- CAR Refrigerator

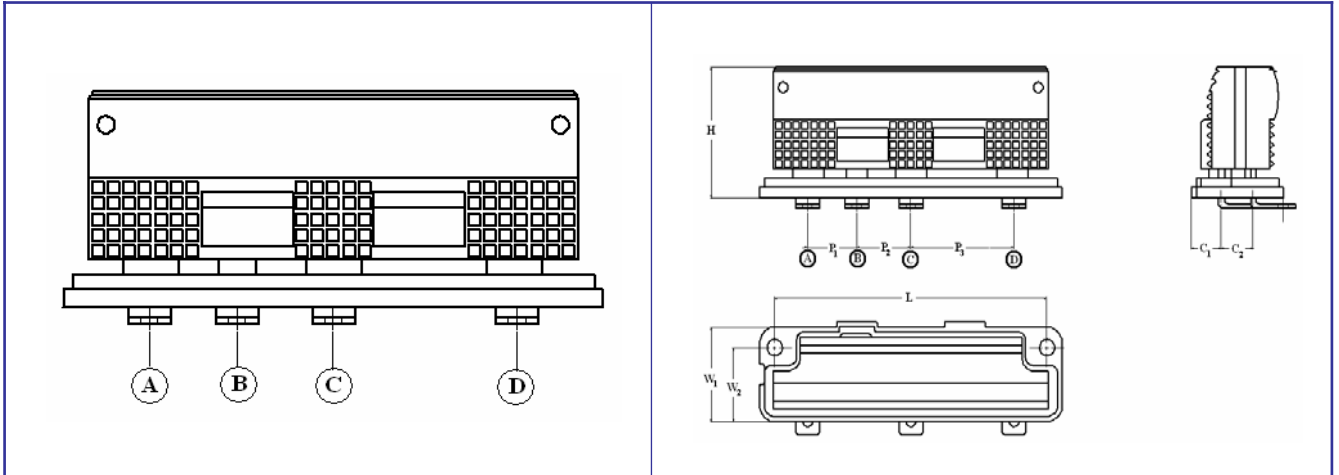
E-mail addresses: [localsales@uniohm.com](mailto:localsales@uniohm.com)

[globalsales@uniohm.com](mailto:globalsales@uniohm.com)

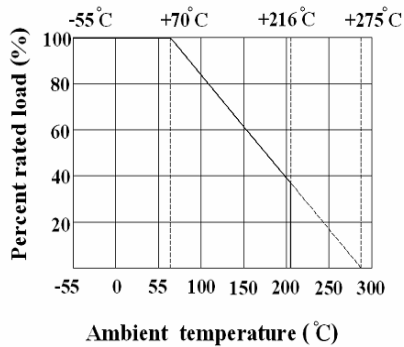
[www.uniohm.com](http://www.uniohm.com)

<http://www.BDTIC.com/UniOhm>

## Structure



## Derating Curve



Type	Power rating	Power Supply Type	Max Working Voltage (A-D)	Operating Temperature Range	Resistance Range
ALU	100W	12V	$V = \sqrt{P \cdot R}$	-55°C ~ +216°C	0.50Ω ~ 0.75Ω
		24V			0.25Ω ~ 0.50Ω

- Operating temperature depend on thermal fuse temperature to be used
- High – Low value by different rating can support on case by case

Type	L (mm)	H (mm)	P1 (mm)	P2 (max)	P3 (max)	C1 (mm)	C2 (mm)	W1 (mm)	W2 (mm)
ALU 100W	53.5±0.5	24±1.0	9.5±0.25	9.5±0.25	19±0.5	7.5±0.5	12±0.5	17.5±0.5	13.5±0.5

## Characteristic

Test Item	Standard
Thermal shock	±(2.0%+0.05Ω)Max
Short time overload	±(2.0%+0.05Ω)Max
Temperature cycling	±(5.0%+0.05Ω)Max
Humidity	±(5.0%+0.05Ω) Max

## Circuit

