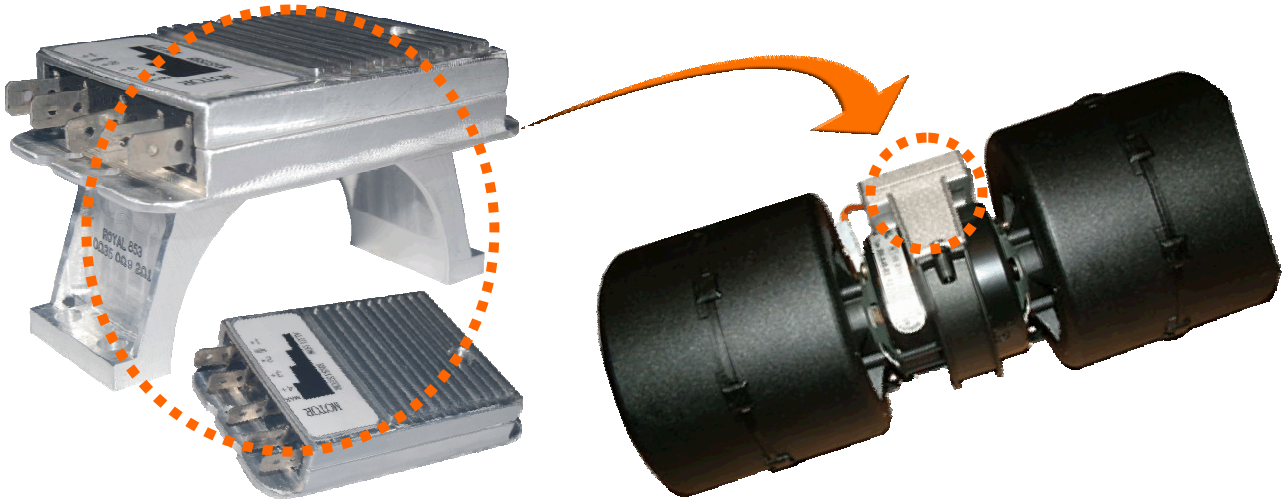


UniOhm

u need it!

SUPERIOR QUALITY RESISTORS

AUTOMOTIVE RESISTORS



ALU110W

Blower

- Low value resistance with high power dissipation
- Three speed resistor with thermal fuse Protection
- Leg of resistor is removable depend on application used
- Speed control for blower
- High – Low value by different rating can support on case by case

E-mail addresses:localsales@uniohm.com

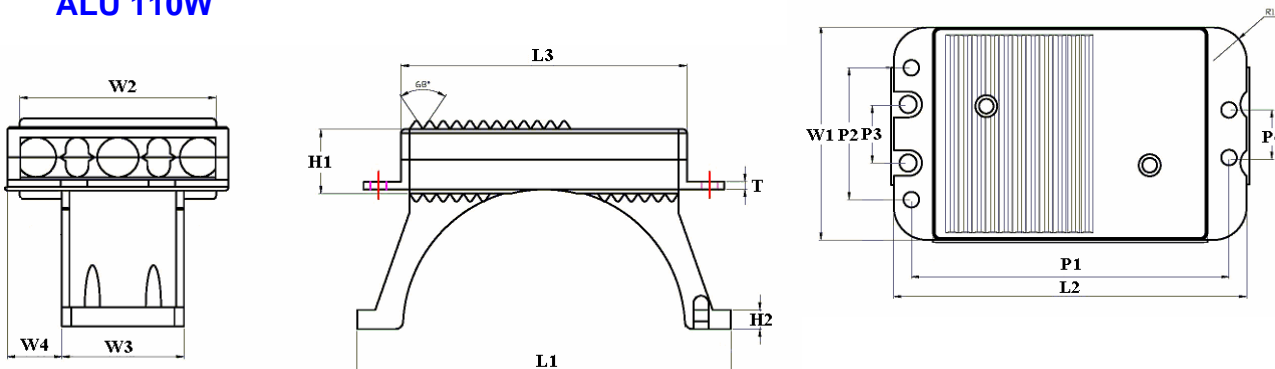
globalsales@uniohm.com

www.uniohm.com

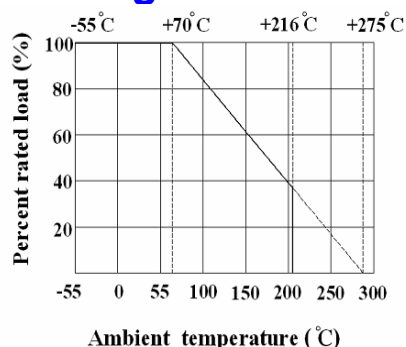
<http://www.BDTIC.com/UniOhm>

Structure

ALU 110W



Derating Curve



• Leg of resistor is removable depend on application used

Type	Power rating	Power Supply Type	Operating Temperature Range	Resistance Range
ALU110W	110W	12V	-55°C ~ +192°C	0.35Ω ~ 1.2Ω
		24V	-55°C ~ +192°C	1.5Ω ~ 4.5Ω

Thermal Fuse temperature (10A 250V)			
98°C	128°C	167°C	216°C
104°C	144°C	184°C	229°C
117°C	152°C	192°C	240°C

- Operating temperature depend on thermal fuse temperature to be used
- High – Low value by different rating can support on case by case

Type	W1±0.5	W2±0.5	W3±0.5	W4±0.5	L1±1.0	L2±0.5	L3±0.5	P1±0.2	P2±0.2	P3±0.2	H1±0.5	T±0.1
ALU 110W	58	51.5	32	14.3	98	96.4	75	85	36	13	17.6	2

Characteristic

Test Item	Standard
Thermal shock	±(2.0%+0.05Ω)Max
Short time overload	±(2.0%+0.05Ω)Max
Temperature cycling	±(5.0%+0.05Ω)Max
Humidity	±(5.0%+0.05Ω) Max
Simulation test	±(5.0%+0.05Ω)max

Circuit

