

UniOhm

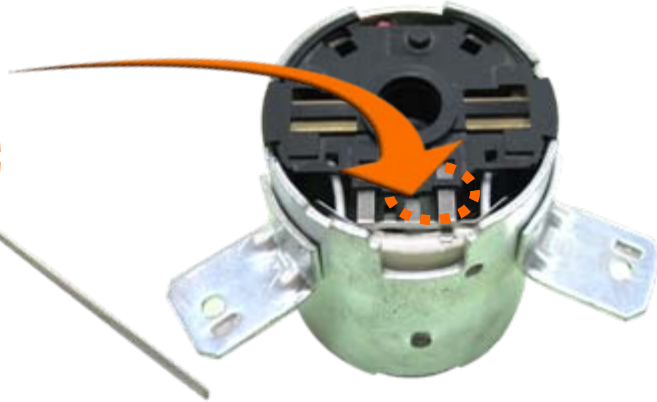
u need it!

SUPERIOR QUALITY RESISTORS

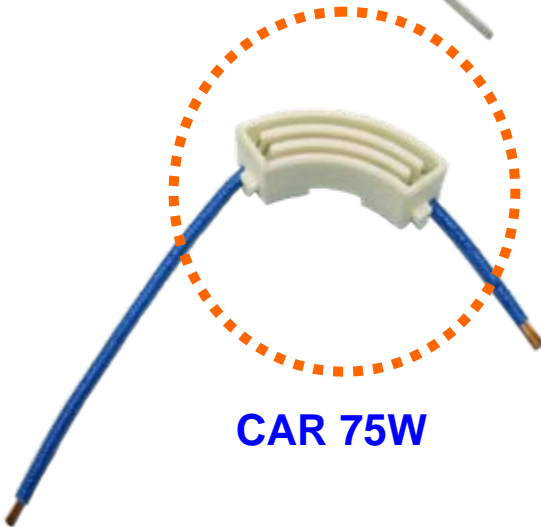
AUTOMOTIVE RESISTORS



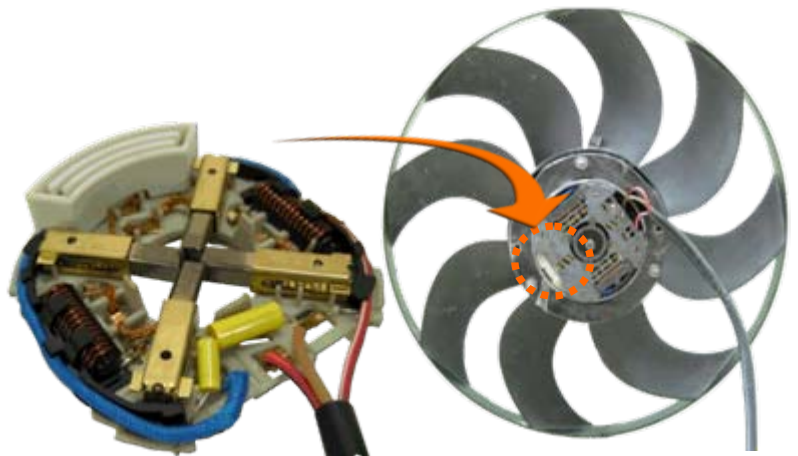
CAR 25W



CAR Cooling fan motor



CAR 75W



CAR Cooling Fan

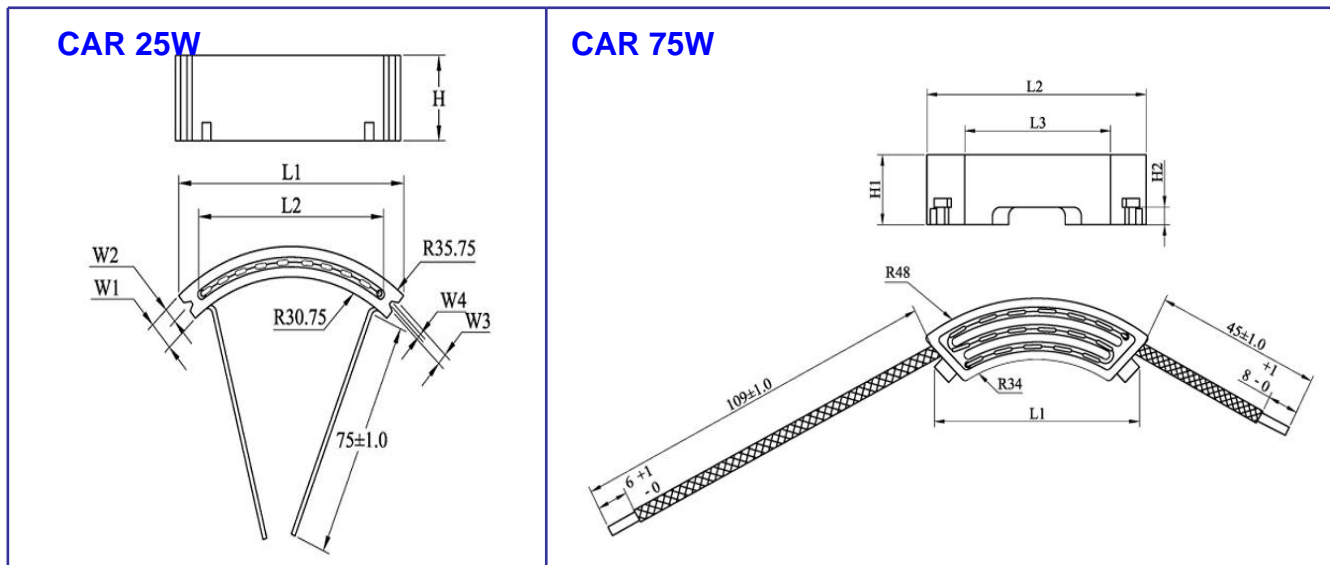
- Small in dimension with higher Power dissipation
- Stable performance and perfect reliability
- Perfect Non flame proof construction
- To be used for cooling fan motor of CAR

E-mail addresses: localsales@uniohm.com

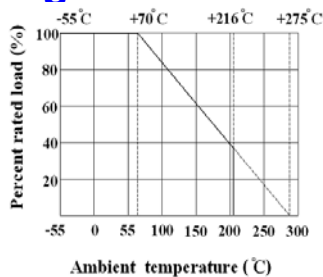
globalsales@uniohm.com

<http://www.BDTIC.com/UniOhm>
www.uniohm.com

Structure



Derating Curve



Type	Power Rating	Power Supply Type	Max working voltage	Operating Temperature Range
CAR 25W	25W	12V	$V = \sqrt{P \cdot R}$	-55°C ~ +275°C
CAR 75W	75W	12V	$V = \sqrt{P \cdot R}$	-55°C ~ +275°C

Type	L1 (mm)	L2 (mm)	W1 (mm)	W2 (mm)	W3 (mm)	W4 (mm)	H (mm)	Resistance Range
CAR25W	45.25±0.25	37.5±0.25	5.0±0.25	2.5±0.2	19±0.15	0.6±0.05	14 +0/-0.3	0.2Ω ~1.20Ω

Type	L1 (mm)	L2 (mm)	L3 (mm)	H1 (mm)	H2 (mm)	Resistance Range
CAR 75W	50.40±0.5	+0.2/-0.8	36.5 +0/-0.3	16 +0.3/-0	6±0.1	0.18Ω ~0.80Ω

* Different rating / value capable produce on customer request

Characteristic

Test Item	Standard
Thermal shock	±(2.0%+0.05Ω)Max
Short time overload	±(2.0%+0.05Ω)Max
Load Life	±(5.0%+0.05Ω) Max
Intermittent over load	±(5.0%+0.05Ω) Max

Test Item	Standard
Life simulation test	Testing motor stable work