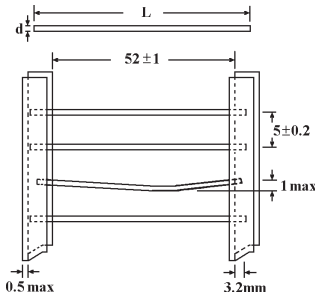
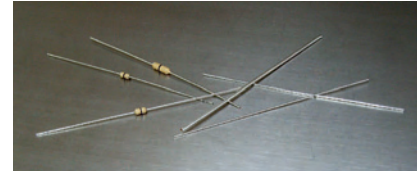
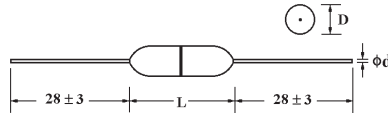


ZW Type



ZO Type



Part No.	Type	Dimension (mm)	
		L ± 3	d ± 0.05
ZWA0	ZW-A	60	0.45
ZWB0	ZW-B	60	0.54
ZWC0	ZW-C	60	0.65
ZWD0	ZW-D	60	0.75
ZWF0	ZW-F	60	1.00

Part No.	Type	Power Rating at 70°C	Dimension (mm)		
			D Max.	L Max.	d ± 0.05
ZO00W8	ZO-12	1/8W	1.85	3.5	0.45
ZO00W4	ZO-25	1/4W	2.5	6.8	0.54

Performance Specification

Maximum resistance value	< 50mΩ
Lead material	Tin-plated cooper
Body material(ZO Type)	Electrical grade, high performance molding compound
Insulation resistance	Dry - 10,000 MΩ, Wet - 100MΩ
Dielectric withstanding voltage	Atmospheric - 500V RMS ; Reduced - 325V RMS
Flame retardant	Resistor insulation is self-extinguishing within 10 seconds after externally applied flame is removed
Rated current	25 AMPS at 25°C, derating to 0 AMPS at 150°C

Ordering Procedure (Example: ZO 1/4W T/R-5,000)

