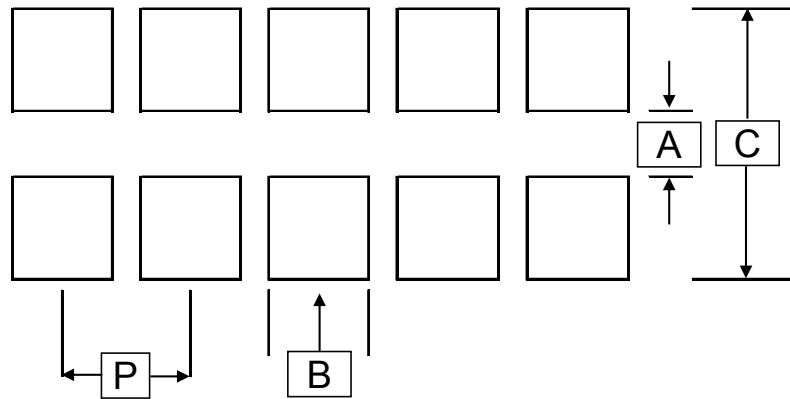
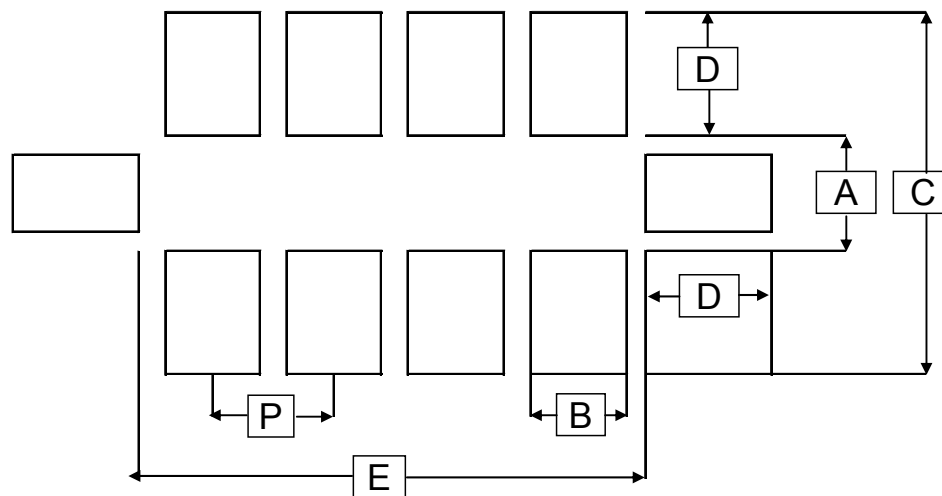


RAC648N and RAC648R



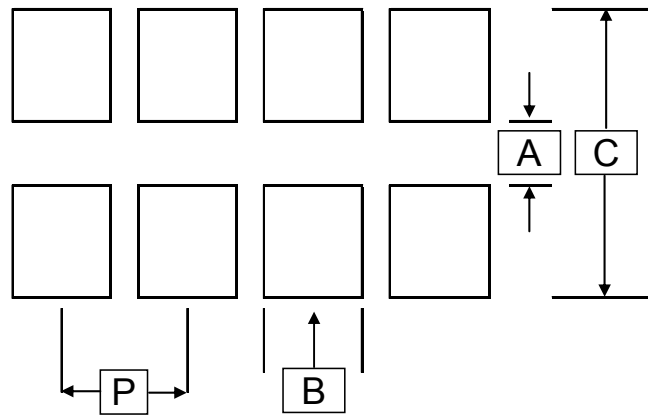
RAC648N and RAC648R				
A	B	C	P	Unit
0.031	0.028	0.122	0.050	Inches
0.80	0.70	3.10	1.27	mm

RAC408M



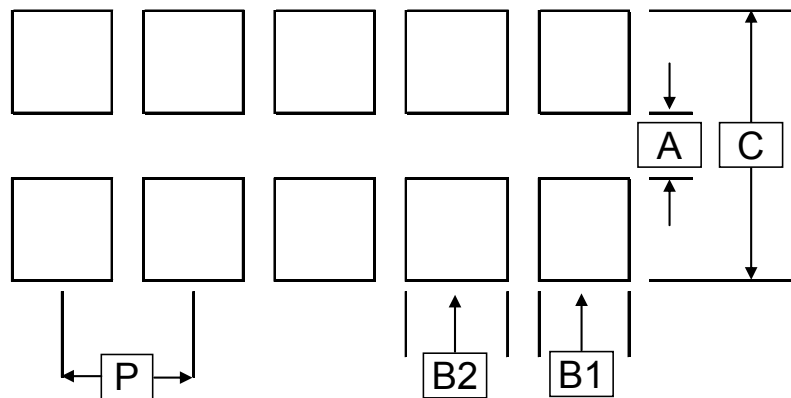
RAC408M						
A	B	C	D	E	P	Unit
0.039	0.020	0.118	0.039	0.134	0.031	Inches
1.00	0.50	3.00	1.00	3.40	0.80	mm

RAVF104D



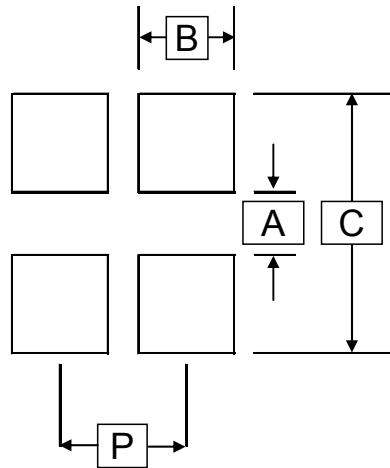
RAVF104D				
A	B	C	P	Unit
0.020	0.016	0.059	0.020	Inches
0.50	0.40	1.50	0.50	mm

RAVF328R



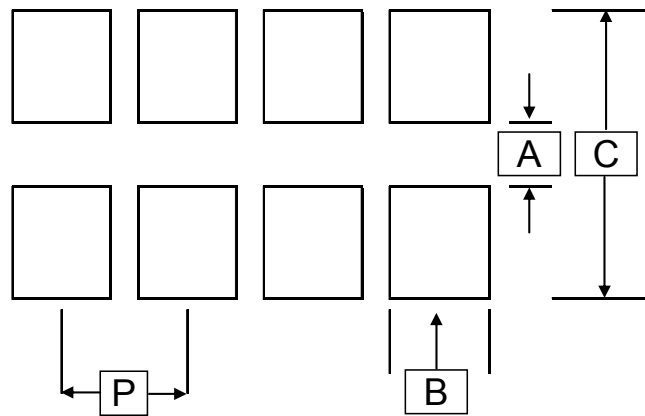
RAVF328R					
A	B1	B2	C	P	Unit
0.031	0.013	0.018	0.122	0.025	Inches
0.80	0.34	0.45	3.10	0.64	mm

RAVF162D



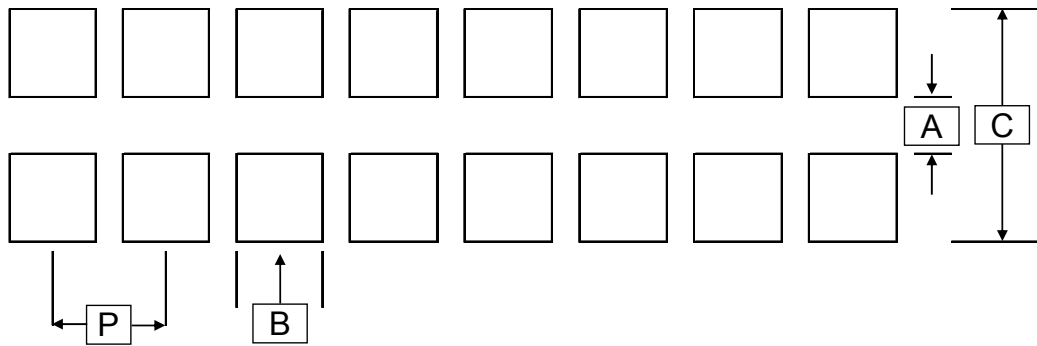
RAVF162D				
A	B	C	P	Unit
0.031	0.020	0.122	0.031	Inches
0.80	0.50	3.10	0.80	mm

RACF164D / RAVF164D



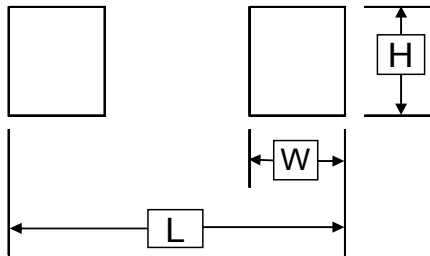
RACF164D and RAVF164D				
A	B	C	P	Unit
0.031	0.025	0.122	0.031	Inches
0.80	0.63	3.10	0.80	mm

RAVF168D

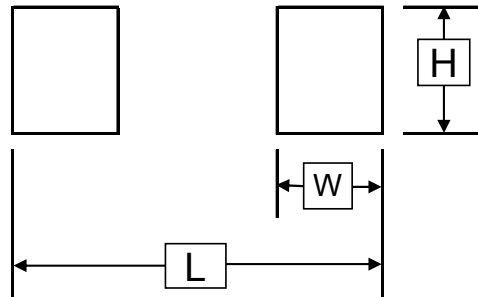


RAVF168D				
A	B	C	P	Unit
0.039	0.012	0.110	0.020	Inches
1.00	0.30	2.80	0.50	mm

All SMD Chips (except CSR / RHC Series)



SMD Chips (except CSR and RHC)				
SIZE	L	H	W	Unit
0201	0.031	0.017	0.011	inches
	0.79	0.43	0.28	mm
0402	0.051	0.024	0.016	inches
	1.30	0.60	0.40	mm
0603	0.079	0.035	0.020	inches
	2.00	0.90	0.50	mm
0805	0.102	0.051	0.028	inches
	2.60	1.30	0.70	mm
1206	0.150	0.067	0.035	inches
	3.80	1.70	0.90	mm
1210	0.150	0.098	0.035	inches
	3.80	2.50	0.90	mm
2010	0.232	0.098	0.039	inches
	5.90	2.50	1.00	mm
2512	0.283	0.126	0.039	inches
	7.20	3.20	1.00	mm



RHC Series

RHC				
SIZE	L	H	W	Unit
RHC	0.315 8.00	0.138 3.50	0.118 3.00	inches mm

SM Series

SM				
SIZE	L	H	W	Unit
SM2615	0.35 8.90	0.13 3.30	0.14 3.50	inches mm
SM4124	0.58 14.80	0.16 4.00	0.18 4.60	inches mm
SM4527 & SMH4527	0.59 14.90	0.16 4.00	0.17 4.30	inches mm
SM6227	0.85 21.60	0.17 4.20	0.24 6.20	inches mm
SM8035	0.95 24.10	0.19 4.80	0.34 8.60	inches mm

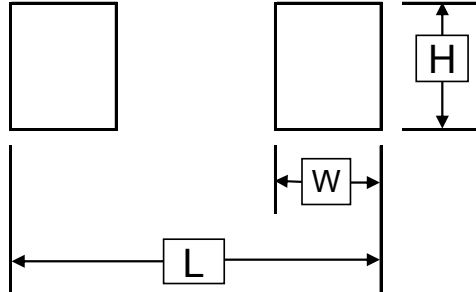
HVC Series

HVC				
SIZE	L	H	W	Unit
HVC0603	0.079 2.00	0.035 0.90	0.018 0.45	inches mm
HVC0805	0.102 2.60	0.051 1.30	0.018 0.45	inches mm
HVC1206	0.150 3.80	0.067 1.70	0.024 0.60	inches mm
HVC2010	0.232 5.90	0.098 2.50	0.031 0.80	inches mm
HVC2512	0.283 7.20	0.126 3.20	0.031 0.80	inches mm

Standard Solder Land Patterns

CSRF / CSNL Series

All tolerances ± 0.25 mm (± 0.01 inches) unless otherwise specified)

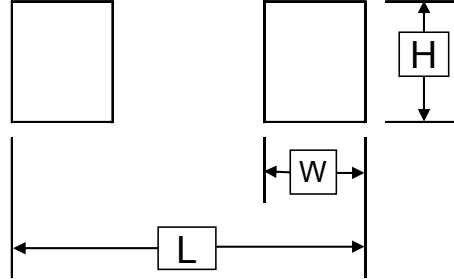


CSRF and CSNL				
SIZE	L	H	W	Unit
CSNL1206	0.197	0.079	0.063	inches
	5.00	2.00	1.60	mm
CSNL2010 < 0.004	0.276	0.114	0.106	inches
	7.00	2.90	2.70	mm
CSNL2010 \geq 0.004	0.276	0.114	0.079	inches
	7.00	2.90	2.00	mm
CSNL2512 = 0.0005	0.360	0.146	0.126	inches
	9.15	3.70	3.20	mm
CSNL2512 = 0.00075; 0.001; 0.0025; 0.003; 0.0035	0.329	0.146	0.110	inches
	8.35	3.70	2.80	mm
CSNL2512 = 0.0015; 0.002; 0.004; 0.01	0.295	0.146	0.087	inches
	7.50	3.70	2.20	mm
CSRF2512	0.321	0.144	0.079	inches
	8.15	3.65	2.00	mm

Standard Solder Land Patterns

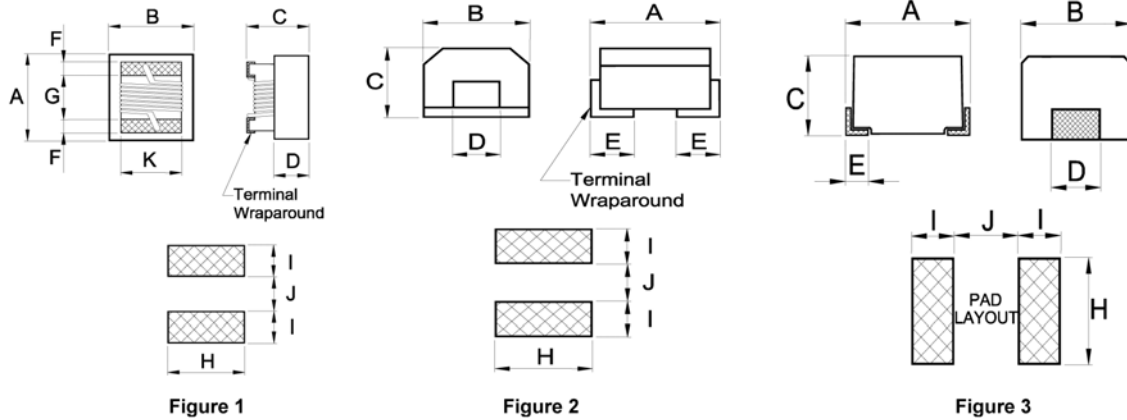
CSS / CSSH Series

All tolerances ± 0.25 mm (± 0.01 inches) unless otherwise specified)



CSS and CSSH				
SIZE	L	H	W	Unit
CSS1206	0.197	0.079	0.063	inches
	5.00	2.00	1.60	mm
CSS2010 <0.004	0.276	0.114	0.106	inches
	7.00	2.90	2.70	mm
CSS2010 ≥ 0.004	0.276	0.114	0.079	inches
	7.00	2.90	2.00	mm
CSS2512 <0.005	0.319	0.150	0.118	inches
	8.10	3.80	3.00	mm
CSS2512 ≥ 0.005	0.319	0.150	0.098	inches
	8.10	3.80	2.50	mm
CSSH2512 <0.002	0.319	0.150	0.118	inches
	8.10	3.80	3.00	mm
CSSH2512 ≥ 0.002	0.319	0.150	0.098	inches
	8.10	3.80	2.50	mm
CSS2725 0.00025 & 0.0015	0.346	0.280	0.130	inches
	8.80	7.10	3.30	mm
CSS2725 0.001	0.354	0.280	0.130	inches
	9.00	7.10	3.30	mm
CSS2725 0.002	0.339	0.280	0.110	inches
	8.60	7.10	2.80	mm
CSS2725 0.0025	0.339	0.280	0.102	inches
	8.60	7.10	2.60	mm
CSS2725 0.003	0.339	0.280	0.091	inches
	8.60	7.10	2.30	mm
CSSH2728	0.362	0.280	0.087	inches
	9.20	7.10	2.20	mm

NL Series



NL														
Type	Size	Figure	A max.	B max.	C max.	D ref.	E	F	G	H	I	J	K	Unit
NL05	0805	1	0.094 2.40	0.067 1.71	0.057 1.45	0.026 0.65	-	0.017 0.44	0.040 1.02	0.070 1.78	0.040 1.02	0.030 0.76	0.050 1.27	inches mm
NL08	1008	1	0.115 2.92	0.110 2.79	0.083 2.10	0.047 1.20	-	0.018 0.45	0.060 1.52	0.100 2.54	0.040 1.02	0.050 1.27	0.080 2.03	inches mm
NL10	1210	2	0.138 3.50	0.110 2.80	0.098 2.50	0.063 1.60	0.03 0.8	- -	- -	0.079 2.00	0.047 1.20	0.063 1.60	- -	inches mm
NL12	1812	2	0.189 4.80	0.138 3.50	0.138 3.50	0.071 1.80	0.043 1.10	- -	- -	0.110 2.80	0.059 1.50	0.118 3.00	- -	inches mm
NL20	2220	3	0.232 5.90	0.205 5.20	0.169 4.30	0.157 ± 0.008 4.00 ± 0.20	0.028 ± 0.008 0.70 ± 0.20	- -	- -	0.177 4.50	0.079 2.00	0.157 4.00	- -	inches mm