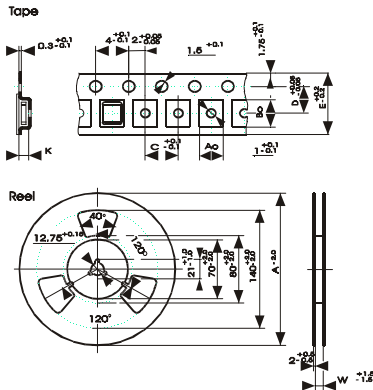


Tape & Reel Specification – DV Series

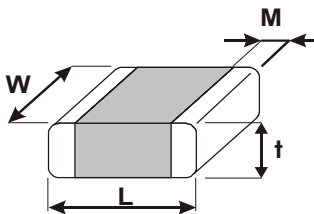
Tape / Reel Dimensions

Conforms to IEC Publication 286-2



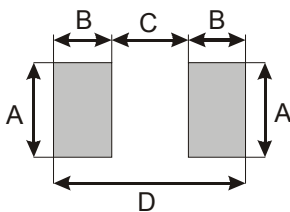
PARAMETERS	CASE SIZE	
	3225	4032
	mm	
A ₀	8.9	8.6
B ₀	8.7	10.6
C	12.0	12.0
D	7.5	7.5
E	16.4	16.4
K _{MAX}	4.7	4.7
W	16.4	16.4
A	330	330

Case Size Dimensions



DV Series	Voltage Range	Length	Width	Land Length	Thickness
		L ± 0.5	W ± 0.4	M ± 0.25	t _{MAX}
Size	V _{RMS}	mm	mm	mm	mm
3225	11 to 300	8.0	6.3	0.5	2.0
4032	11 to 300	10.0	8.0	0.1	2.0

Recommended Soldering Pad Dimensions

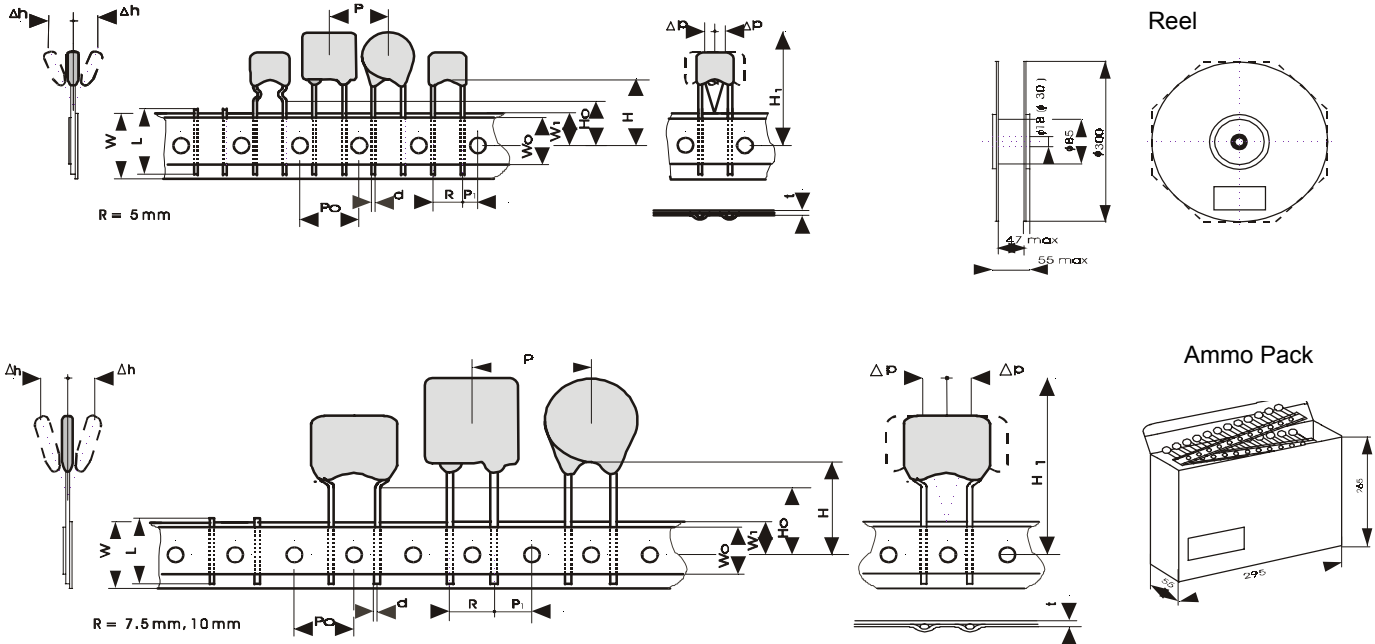


DV Series	Voltage Range	A	B	C	D
		mm	mm	mm	mm
Size	V _{RMS}				
3225	11 to 300	6.8	1.5	6.5	9.5
4032	11 to 300	6.8	1.5	8.7	11.7

Tape & Reel Specification – CV, CV+, SV Series

Ammo Pack Dimensions

Conforms to IEC Publication 286-2



Symbol	Parameters	Series CV CV+ SV	Model Size				
			05	07	10	14	20
W	Tape Width		18 +1.0/-0.5 (0.71 +0.04/-0.02)	18 +1.0/-0.5 (0.71 +0.04/-0.02)	18 +1.0/-0.5 (0.71 +0.04/-0.02)	18 +1.0/-0.5 (0.71 +0.04/-0.02)	18 +1.0/-0.5 (0.71 +0.04/-0.02)
W ₀	Hold Down Tape Width		12 Min. (0.47 Min.)	12 Min. (0.47 Min.)	12 Min. (0.47 Min.)	12 Min. (0.47 Min.)	12 Min. (0.47 Min.)
W ₁	Hold position		9 +0.75/0.5 (0.35 +0.03/0.02)	9 +0.75/0.5 (0.35 +0.03/0.02)	9 +0.75/0.5 (0.35 +0.03/0.02)	9 +0.75/0.5 (0.35 +0.03/0.02)	9 +0.75/0.5 (0.35 +0.03/0.02)
t	Total Tape Thickness		0.9 Max. (0.04 Max.)	0.9 Max. (0.04 Max.)	0.9 Max. (0.04 Max.)	0.9 Max. (0.04 Max.)	0.9 Max. (0.04 Max.)
P	Pitch of Component		12.7 ± 1.0 (0.5 ± 0.04)	12.7 ± 1.0 (0.5 ± 0.04)	12.7 ± 1.0 (0.5 ± 0.04)	12.7 ± 1.0 (0.5 ± 0.04)	12.7 ± 1.0 (0.5 ± 0.04)
P ₀	Feed Hold Pitch		12.7 ± 0.2 (0.5 ± 0.01)	12.7 ± 0.2 (0.5 ± 0.01)	12.7 ± 0.2 (0.5 ± 0.01)	12.7 ± 0.2 (0.5 ± 0.01)	12.7 ± 0.2 (0.5 ± 0.01)
P ₁	Feed Hold Center to Pitch		3.81 ± 0.7 (0.15 ± 0.03)	3.81 ± 0.7 (0.15 ± 0.03)	8.89 ± 0.8 (0.35 ± 0.03)	8.89 ± 0.8 (0.35 ± 0.03)	7.62 ± 0.8 (0.30 ± 0.03)
R	Lead Spacing		5.08 +0.6/-0.1 (0.2 +0.02/-0.004)	5.08 +0.6/-0.1 (0.2 +0.02/-0.004)	7.62 +0.6/-0.1 (0.3 +0.02/-0.004)	7.62 +0.6/-0.1 (0.3 +0.02/-0.004)	10.16 +0.6/-0.1 (0.4 +0.02/-0.004)
ΔP	Component Alignment		± 1.3 Max. (± 0.05 Max.)	± 1.3 Max. (± 0.05 Max.)	± 2.0 Max. (± 0.08 Max.)	± 2.0 Max. (± 0.08 Max.)	± 2.0 Max. (± 0.08 Max.)
Δh	Component Alignment		± 2.0 Max. (± 0.08 Max.)	± 2.0 Max. (± 0.08 Max.)	Depends on t _{max}	Depends on t _{max}	Depends on t _{max}
d	Wire Diameter		0.6 ± 0.05 (0.024 ± 0.002)	0.6 ± 0.05 (0.024 ± 0.002)	0.8 ± 0.05 (0.031 ± 0.002)	0.8 ± 0.05 (0.031 ± 0.002)	0.8 ± 0.05 (0.031 ± 0.002)
D ₀	Feed Hold Diameter		4 +/- 0.2 (0.16 +/- 0.01)	4 ± 0.2 (0.16 ± 0.01)	4 ± 0.2 (0.16 ± 0.01)	4 ± 0.2 (0.16 ± 0.01)	4 ± 0.2 (0.16 ± 0.01)
H	Height from Tape Center		18 +2.0/-0.0 (0.71 +/- 0.0)	18 +2.0/-0.0 (0.71 ± 0.0)	18 +2.0/-0.0 (0.71 ± 0.0)	18 +2.0/-0.0 (0.71 ± 0.0)	18 +2.0/-0.0 (0.71 +/- 0.0)
H ₀	Seating Plane Height		16 +/- 0.5 (0.63 +/- 0.02)	16 ± 0.5 (0.63 ± 0.02)	16 ± 0.5 (0.63 ± 0.02)	16 ± 0.5 (0.63 ± 0.02)	16 ± 0.5 (0.63 ± 0.02)
H ₁	Component Height		32.2 Max. (1.27 Max.)	32.2 Max. (1.27 Max.)	38.5 Max. (1.52 Max.)	40.0 Max. (1.57 Max.)	46.5 Max. (1.83 Max.)
L	Length of Clipped Lead		11 Max. (0.43 Max.)	11 Max. (0.43 Max.)	11 Max. (0.43 Max.)	11 Max. (0.43 Max.)	11 Max. (0.43 Max.)

Legend: mm (inch)

Lead Style (Version) / Lead Spacing – CV, CV+, SV Series

Product Series / Range	Dimensions			Version 1	Version 5
	R	h	A		
	mm (inch)	mm (inch)	mm (inch)		
CV 11...275 K 05	5	9.5	14.5		
CV 11...300 K 07	5	9.5	16.5		
CV 60...275 K 07					
CV 14...550 K 10	7.5	15			
CV 50...550 K 14	7.5	19			
CV 50...550 K 20	10	26			
CV+ 60...550 K 10	7.5	15			
CV+ 60...550 K 14	7.5	16			
CV+ 60...550 K 20	10	26			
CV+ 130...550 K 23	10	29			
SV 60...300 K 05	5	9.5	14.5		
SV 60...300 K 07	5	11.5	16.5		
SV 60...550 K 10	7.5	15			
SV 60...550 K 14	7.5	19			
SV 60...550 K 20	10	26			
SV 60...550 K 23	10	29			

For additional lead styles (e.g., clipped leads), contact the factory.

Varistor Marking – CV, CV+, SV, PV, ZOV Series

Leaded Varistor – CV, CV+, SV Series

For Model Sizes 5, 7

CV 130
K7

CV = Series Name
130 = V_{RMS}
K = V_N Tolerance
7 = Model Size: 5, 7

For Model Sizes 10, 14, 18, 20, 23

KEKO
CV 130
K 20

KEKO = Tradename
CV = Series Name
130 = V_{RMS}
K = V_N Tolerance
20 = Model Size: 10, 14, 18, 20, 23

Leaded High Energy Varistor – ZOV Series

Standard

For Model Sizes 23, 25, 32, 40, 60

KEKO
ZOV 680
K 40

KEKO = Tradename
ZOV = Series Name
680 = V_{RMS}
K = V_N Tolerance
40 = Model Size: 23, 25, 40, 60

Custom Designed

KEKO
ZOV 275
K 503

KEKO = Tradename
ZOV = Series Name
275 = V_{RMS}
K = V_N Tolerance
503 = Surge Current Code: 503, 50,000A, 8/20 μ s

SMD Varistor – PV Series

For Model Sizes 3225, 4032

KEKO
PV 20
K 3225

KEKO = Tradename
PV = Series Name
20 = V_{RMS}
K = V_N Tolerance
3225 = Model Size: 3225, 4032