

Features

- Fast Read Access Time – 90 ns
- Dual Voltage Range Operation
 - Unregulated Battery Power Supply Range, 2.7V to 3.6V
 - or Standard 5V \pm 10% Supply Range
- Pin Compatible with JEDEC Standard AT27C1024
- Low Power CMOS Operation
 - 20 μ A Max (Less than 1 μ A Typical) Standby for $V_{CC} = 3.6V$
 - 36 mW Max Active at 5 MHz for $V_{CC} = 3.6V$
- JEDEC Standard Surface Mount Packages
 - 44-lead PLCC
 - 40-lead VSOP
- High Reliability CMOS Technology
 - 2,000V ESD Protection
 - 200 mA Latchup Immunity
- Rapid Programming Algorithm – 100 μ s/Word (Typical)
- CMOS and TTL Compatible Inputs and Outputs
 - JEDEC Standard for LVTTTL and LVBO
- Integrated Product Identification Code
- Industrial Temperature Range

1. Description

The AT27BV1024 is a high-performance, low-power, low-voltage 1,048,576-bit one-time programmable read-only memory (OTP EPROM) organized as 64K by 16 bits. It requires only one supply in the range of 2.7V to 3.6V in normal read mode operation. The by-16 organization makes this part ideal for portable and handheld 16- and 32-bit microprocessor based systems using either regulated or unregulated battery power.

Atmel's innovative design techniques provide fast speeds that rival 5V parts while keeping the low power consumption of a 3V supply. At $V_{CC} = 2.7V$, any word can be accessed in less than 120 ns. With a typical power dissipation of only 18 mW at 5 MHz and $V_{CC} = 3V$, the AT27BV1024 consumes less than one fifth the power of a standard 5V EPROM.

Standby mode supply current is typically less than 1 μ A at 3V. The AT27BV1024 simplifies system design and stretches battery lifetime even further by eliminating the need for power supply regulation.

The AT27BV1024 is available in industry standard JEDEC-approved one-time programmable (OTP) plastic PLCC and VSOP packages. All devices feature two-line control (\overline{CE} , \overline{OE}) to give designers the flexibility to prevent bus contention.

The AT27BV1024 operating with V_{CC} at 3.0V produces TTL level outputs that are compatible with standard TTL logic devices operating at $V_{CC} = 5.0V$. At $V_{CC} = 2.7V$, the part is compatible with JEDEC approved low voltage battery operation (LVBO) interface specifications. The device is also capable of standard 5-volt operation making it ideally suited for dual supply range systems or card products that are pluggable in both 3-volt and 5-volt hosts.

Atmel's AT27BV1024 has additional features to ensure high quality and efficient production use. The Rapid Programming Algorithm reduces the time required to program the part and guarantees reliable programming. Programming time is typically only 100 μ s/word. The Integrated Product Identification Code electronically identifies



**1-Megabit
(64K x 16)
Unregulated
Battery-Voltage
High-Speed
OTP EPROM**

AT27BV1024

0631E-EPROM-12/07





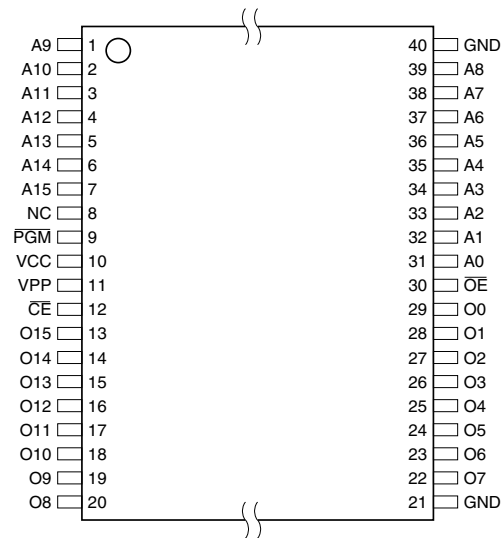
the device and manufacturer. This feature is used by industry-standard programming equipment to select the proper programming algorithms and voltages. The AT27BV1024 programs exactly the same way as a standard 5V AT27C1024 and uses the same programming equipment.

2. Pin Configurations

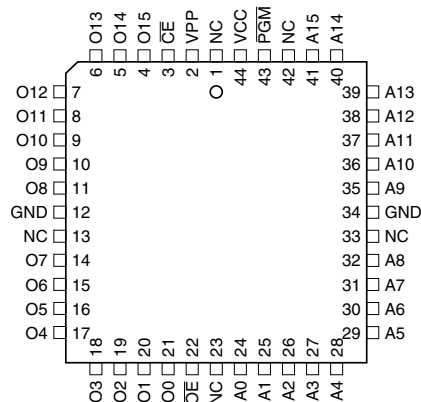
| Pin Name | Function |
|------------------|----------------|
| A0 - A15 | Addresses |
| O0 - O15 | Outputs |
| \overline{CE} | Chip Enable |
| \overline{OE} | Output Enable |
| \overline{PGM} | Program Strobe |
| NC | No Connect |

Note: Both GND pins must be connected.

2.1 40-lead VSOP (Type 1) Top View



2.2 44-lead PLCC Top View

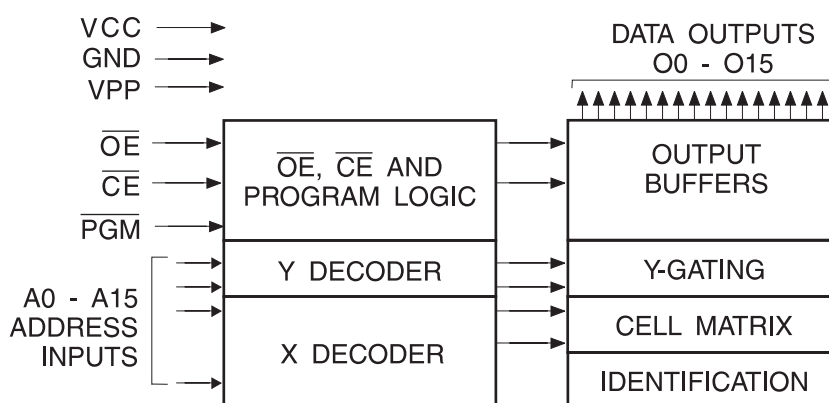


Note: PLCC Package Pins 1 and 23 are Don't Connect.

3. System Considerations

Switching between active and standby conditions via the Chip Enable pin may produce transient voltage excursions. Unless accommodated by the system design, these transients may exceed datasheet limits, resulting in device non-conformance. At a minimum, a 0.1 μF high frequency, low inherent inductance, ceramic capacitor should be utilized for each device. This capacitor should be connected between the V_{CC} and Ground terminals of the device, as close to the device as possible. Additionally, to stabilize the supply voltage level on printed circuit boards with large EPROM arrays, a 4.7 μF bulk electrolytic capacitor should be utilized, again connected between the V_{CC} and Ground terminals. This capacitor should be positioned as close as possible to the point where the power supply is connected to the array.

4. Block Diagram



5. Absolute Maximum Ratings*

| | |
|---|--------------------------------|
| Temperature Under Bias..... | -55° C to +125° C |
| Storage Temperature | -65° C to +150° C |
| Voltage on Any Pin with Respect to Ground | -2.0V to +7.0V ⁽¹⁾ |
| Voltage on A9 with Respect to Ground | -2.0V to +14.0V ⁽¹⁾ |
| V_{PP} Supply Voltage with Respect to Ground | -2.0V to +14.0V ⁽¹⁾ |

***NOTICE:** Stresses beyond those listed under “Absolute Maximum Ratings” may cause permanent damage to the device. This is a stress rating only and functional operation of the device at these or any other conditions beyond those indicated in the operational sections of this specification is not implied. Exposure to absolute maximum rating conditions for extended periods may affect device reliability

Note: 1. Minimum voltage is -0.6V DC which may undershoot to -2.0V for pulses of less than 20 ns. Maximum output pin voltage is $V_{CC} + 0.75\text{V}$ DC which may overshoot to +7.0V for pulses of less than 20 ns.

6. Operating Modes

| Mode \ Pin | \overline{CE} | \overline{OE} | \overline{PGM} | Ai | V _{PP} | V _{CC} | Outputs |
|--|-----------------|-----------------|------------------|---|------------------|-----------------|---------------------|
| Read ⁽²⁾ | V _{IL} | V _{IL} | X ⁽¹⁾ | Ai | X | V _{CC} | D _{OUT} |
| Output Disable ⁽²⁾ | X | V _{IH} | X | X | X | V _{CC} | High Z |
| Standby ⁽²⁾ | V _{IH} | X | X | X | X ⁽⁵⁾ | V _{CC} | High Z |
| Rapid Program ⁽³⁾ | V _{IL} | V _{IH} | V _{IL} | Ai | V _{PP} | V _{CC} | D _{IN} |
| PGM Verify ⁽³⁾ | V _{IL} | V _{IL} | V _{IH} | Ai | V _{PP} | V _{CC} | D _{OUT} |
| PGM Inhibit ⁽³⁾ | V _{IH} | X | X | X | V _{PP} | V _{CC} | High Z |
| Product Identification ⁽³⁾⁽⁵⁾ | V _{IL} | V _{IL} | X | A9 = V _H ⁽⁴⁾ A0 = V _{IH} or V _{IL} A1 - A15 = V _{IL} | V _{CC} | V _{CC} | Identification Code |

- Notes:
1. X can be V_{IL} or V_{IH}.
 2. Read, output disable, and standby modes require, 2.7V ≤ V_{CC} ≤ 3.6V, or 4.5V ≤ V_{CC} ≤ 5.5V.
 3. Refer to Programming Characteristics. Programming modes require V_{CC} = 6.5V.
 4. V_H = 12.0 ± 0.5V.
 5. Two identifier words may be selected. All Ai inputs are held low (V_{IL}), except A9 which is set to V_H and A0 which is toggled low (V_{IL}) to select the Manufacturer's Identification word and high (V_{IH}) to select the Device Code word.

7. DC and AC Operating Conditions for Read Operation

| | AT27BV1024-90 |
|---|----------------|
| Industrial Operating Temperature (Case) | -40° C - 85° C |
| V _{CC} Power Supply | 2.7V to 3.6V |
| | 5V ± 10% |

8. DC and Operating Characteristics for Read Operation

| Symbol | Parameter | Condition | Min | Max | Units |
|--------------------------------------|---|---|-----------------------|-----------------------|-------|
| V_{CC} = 2.7V to 3.6V | | | | | |
| I _{LI} | Input Load Current | V _{IN} = 0V to V _{CC} | | ±1 | µA |
| I _{LO} | Output Leakage Current | V _{OUT} = 0V to V _{CC} | | ±5 | µA |
| I _{PP1} ⁽²⁾ | V _{PP} ⁽¹⁾ Read/Standby Current | V _{PP} = V _{CC} | | 10 | µA |
| I _{SB} | V _{CC} ⁽¹⁾ Standby Current | I _{SB1} (CMOS), $\overline{CE} = V_{CC} \pm 0.3V$ | | 20 | µA |
| | | I _{SB2} (TTL), $\overline{CE} = 2.0$ to V _{CC} + 0.5V | | 100 | µA |
| I _{CC} | V _{CC} Active Current | f = 5 MHz, I _{OUT} = 0 mA, $\overline{CE} = V_{IL}$, V _{CC} = 3.6V | | 8 | mA |
| V _{IL} | Input Low Voltage | V _{CC} = 3.0 to 3.6V | -0.6 | 0.8 | V |
| | | V _{CC} = 2.7 to 3.6V | -0.6 | 0.2 x V _{CC} | V |
| V _{IH} | Input High Voltage | V _{CC} = 3.0 to 3.6V | 2.0 | V _{CC} + 0.5 | V |
| | | V _{CC} = 2.7 to 3.6V | 0.7 x V _{CC} | V _{CC} + 0.5 | V |
| V _{OL} | Output Low Voltage | I _{OL} = 2.0 mA | | 0.4 | V |
| | | I _{OL} = 100 µA | | 0.2 | V |
| | | I _{OL} = 20 µA | | 0.1 | V |
| V _{OH} | Output High Voltage | I _{OH} = -2.0 mA | 2.4 | | V |
| | | I _{OH} = -100 µA | V _{CC} - 0.2 | | V |
| | | I _{OH} = -20 µA | V _{CC} - 0.1 | | V |
| V_{CC} = 4.5V to 5.5V | | | | | |
| I _{LI} | Input Load Current | V _{IN} = 0V to V _{CC} | | ±1 | µA |
| I _{LO} | Output Leakage Current | V _{OUT} = 0V to V _{CC} | | ±5 | µA |
| I _{PP1} ⁽²⁾ | V _{PP} ⁽¹⁾ Read/Standby Current | V _{PP} = V _{CC} | | 10 | µA |
| I _{SB} | V _{CC} ⁽¹⁾ Standby Current | I _{SB1} (CMOS), $\overline{CE} = V_{CC} \pm 0.3V$ | | 100 | µA |
| | | I _{SB2} (TTL), $\overline{CE} = 2.0$ to V _{CC} + 0.5V | | 1 | mA |
| I _{CC} | V _{CC} Active Current | f = 5 MHz, I _{OUT} = 0 mA, $\overline{CE} = V_{IL}$ | | 30 | mA |
| V _{IL} | Input Low Voltage | | -0.6 | 0.8 | V |
| V _{IH} | Input High Voltage | | 2.0 | V _{CC} + 0.5 | V |
| V _{OL} | Output Low Voltage | I _{OL} = 2.1 mA | | 0.4 | V |
| V _{OH} | Output High Voltage | I _{OH} = -400 µA | 2.4 | | V |

- Notes: 1. V_{CC} must be applied simultaneously with or before V_{PP} and removed simultaneously with or after V_{PP}
 2. V_{PP} may be connected directly to V_{CC}, except during programming. The supply current would then be the sum of I_{CC} and I_{PP}

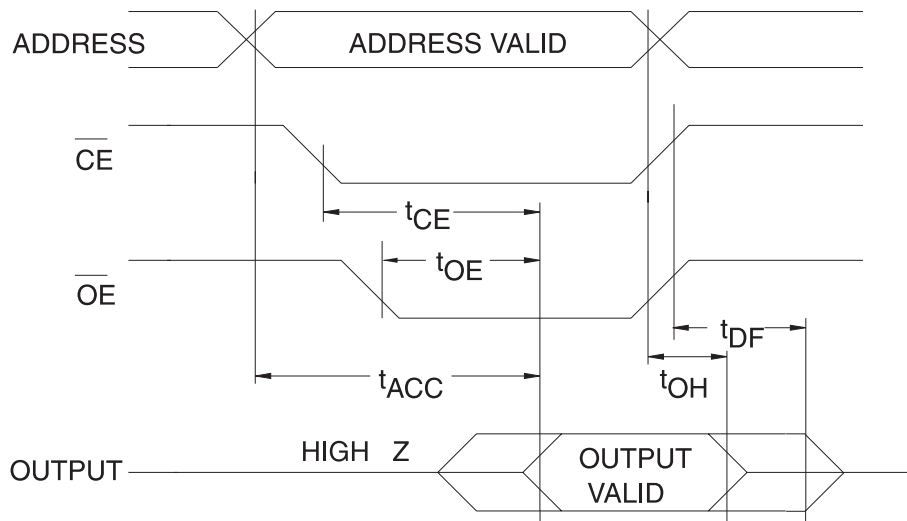


9. AC Characteristics for Read Operation

$V_{CC} = 2.7V$ to $3.6V$ and $4.5V$ to $5.5V$

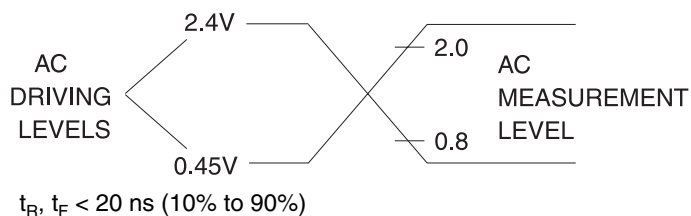
| Symbol | Parameter | Condition | AT27BV1024-90 | | Unit |
|-------------------|---|---|---------------|-----|------|
| | | | Min | Max | |
| $t_{ACC}^{(3)}$ | Address to Output Delay | $\overline{CE} = \overline{OE}$ $= V_{IL}$ | | 90 | ns |
| $t_{CE}^{(2)}$ | \overline{CE} to Output Delay | $\overline{OE} = V_{IL}$ | | 90 | ns |
| $t_{OE}^{(2)(3)}$ | \overline{OE} to Output Delay | $\overline{CE} = V_{IL}$ | | 30 | ns |
| $t_{DF}^{(4)(5)}$ | \overline{OE} or \overline{CE} High to Output Float, Whichever Occurred First | | | 30 | ns |
| t_{OH} | Output Hold from Address, \overline{CE} or \overline{OE} , Whichever Occurred First | | 0 | | ns |

10. AC Waveforms for Read Operation⁽¹⁾

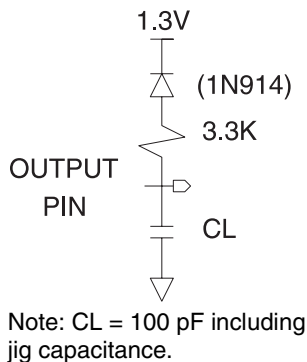


- Notes:
1. Timing measurement references are 0.8V and 2.0V. Input AC drive levels are 0.45V and 2.4V, unless otherwise specified.
 2. \overline{OE} may be delayed up to $t_{CE} - t_{OE}$ after the falling edge of \overline{CE} without impact on t_{CE} .
 3. \overline{OE} may be delayed up to $t_{ACC} - t_{OE}$ after the address is valid without impact on t_{ACC} .
 4. This parameter is only sampled and is not 100% tested.
 5. Output float is defined as the point when data is no longer driven.
 6. When reading a AT27BV1024, a 0.1 μF capacitor is required across V_{CC} and ground to suppress spurious voltage transients.

11. Input Test Waveforms and Measurement Levels



12. Output Test Load



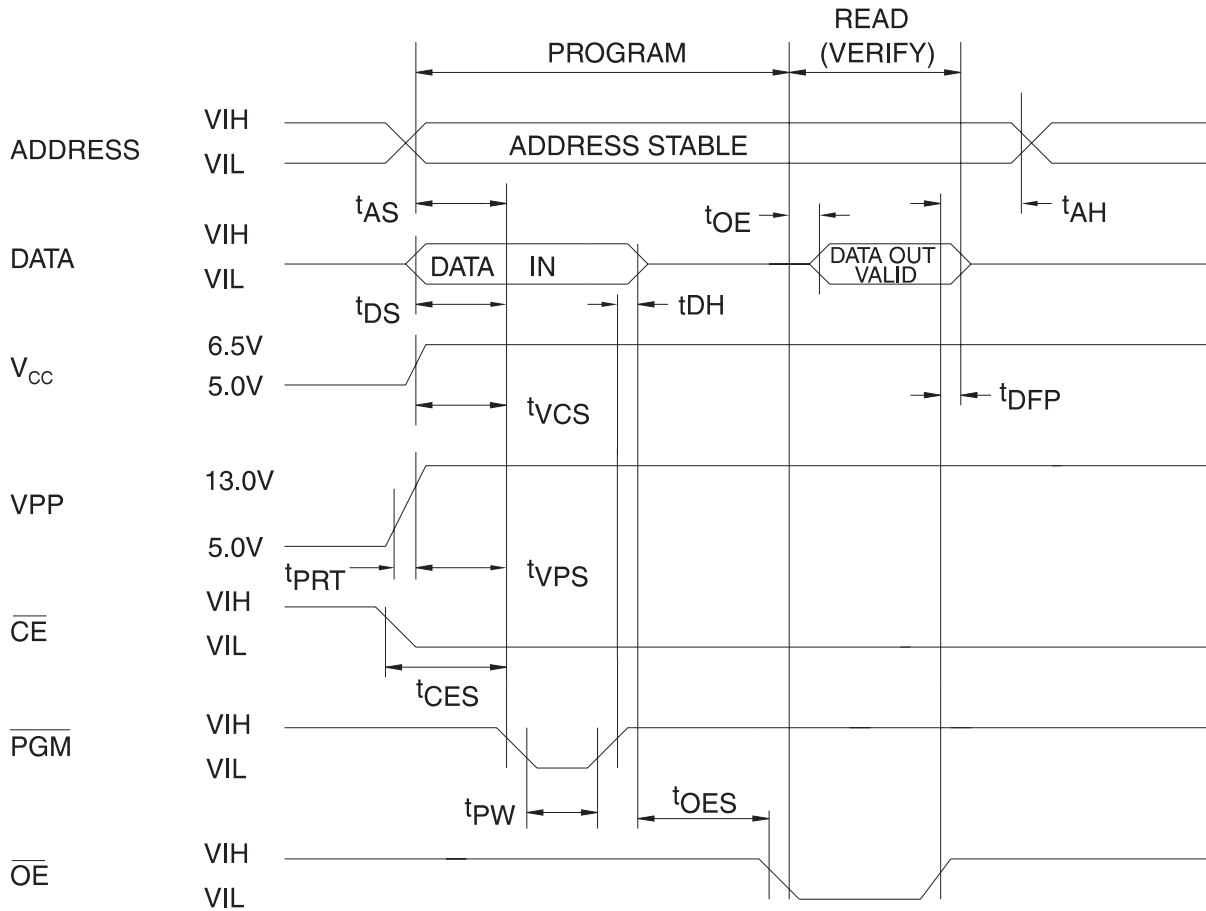
13. Pin Capacitance

f = 1 MHz T = 25°C⁽¹⁾

| Symbol | Typ | Max | Units | Conditions |
|------------------|-----|-----|-------|-----------------------|
| C _{IN} | 4 | 10 | pF | V _{IN} = 0V |
| C _{OUT} | 8 | 12 | pF | V _{OUT} = 0V |

Note: 1. Typical values for nominal supply voltage. This parameter is only sampled and is not 100% tested.

14. Programming Waveforms⁽¹⁾



- Notes:
1. The Input Timing Reference is 0.8V for V_{IL} and 2.0V for V_{IH} .
 2. t_{OE} and t_{DFP} are characteristics of the device but must be accommodated by the programmer.
 3. When programming the AT27BV1024 a 0.1 μ F capacitor is required across V_{PP} and ground to suppress spurious voltage transients.

15. DC Programming Characteristics

$T_A = 25 \pm 5^\circ C$, $V_{CC} = 6.5 \pm 0.25V$, $V_{PP} = 13.0 \pm 0.25V$

| Symbol | Parameter | Test Conditions | Limits | | Units |
|-----------|--|---|--------|----------------|---------|
| | | | Min | Max | |
| I_{LI} | Input Load Current | $V_{IN} = V_{IL}, V_{IH}$ | | ± 10 | μA |
| V_{IL} | Input Low Level | | -0.6 | 0.8 | V |
| V_{IH} | Input High Level | | 2.0 | $V_{CC} + 0.1$ | V |
| V_{OL} | Output Low Voltage | $I_{OL} = 2.1 \text{ mA}$ | | 0.4 | V |
| V_{OH} | Output High Voltage | $I_{OH} = -400 \mu A$ | 2.4 | | V |
| I_{CC2} | V_{CC} Supply Current (Program and Verify) | | | 50 | mA |
| I_{PP2} | V_{PP} Supply Current | $\overline{CE} = \overline{PGM} = V_{IL}$ | | 30 | mA |
| V_{ID} | A9 Product Identification Voltage | | 11.5 | 12.5 | V |

16. AC Programming Characteristics

$T_A = 25 \pm 5^\circ C$, $V_{CC} = 6.5 \pm 0.25V$, $V_{PP} = 13.0 \pm 0.25V$

| Symbol | Parameter | Test Conditions ⁽¹⁾ | Limits | | Units |
|-----------|---|--|--------|-----|---------|
| | | | Min | Max | |
| t_{AS} | Address Setup Time | Input Rise and Fall Times: (10% to 90%) 20 ns | 2 | | μs |
| t_{CES} | \overline{CE} Setup Time | | 2 | | μs |
| t_{OES} | \overline{OE} Setup Time | | 2 | | μs |
| t_{DS} | Data Setup Time | | 2 | | μs |
| t_{AH} | Address Hold Time | Input Pulse Levels: 0.45V to 2.4V | 0 | | μs |
| t_{DH} | Data Hold Time | | 2 | | μs |
| t_{DFP} | \overline{OE} High to Output Float Delay ⁽²⁾ | Input Timing Reference Level: | 0 | 130 | ns |
| t_{VPS} | V_{PP} Setup Time | 0.8V to 2.0V | 2 | | μs |
| t_{VCS} | V_{CC} Setup Time | Output Timing Reference Level: 0.8V to 2.0V | 2 | | μs |
| t_{PW} | \overline{PGM} Program Pulse Width ⁽³⁾ | | 95 | 105 | μs |
| t_{OE} | Data Valid from \overline{OE} | | | 150 | ns |
| t_{PRT} | V_{PP} Pulse Rise Time During Programming | | 50 | | ns |

- Notes:
- V_{CC} must be applied simultaneously or before V_{PP} and removed simultaneously or after V_{PP}
 - This parameter is only sampled and is not 100% tested. Output Float is defined as the point where data is no longer driven – see timing diagram.
 - Program Pulse width tolerance is 100 $\mu sec \pm 5\%$.

17. Atmel's AT27BV1024 Integrated Product Identification Code⁽¹⁾

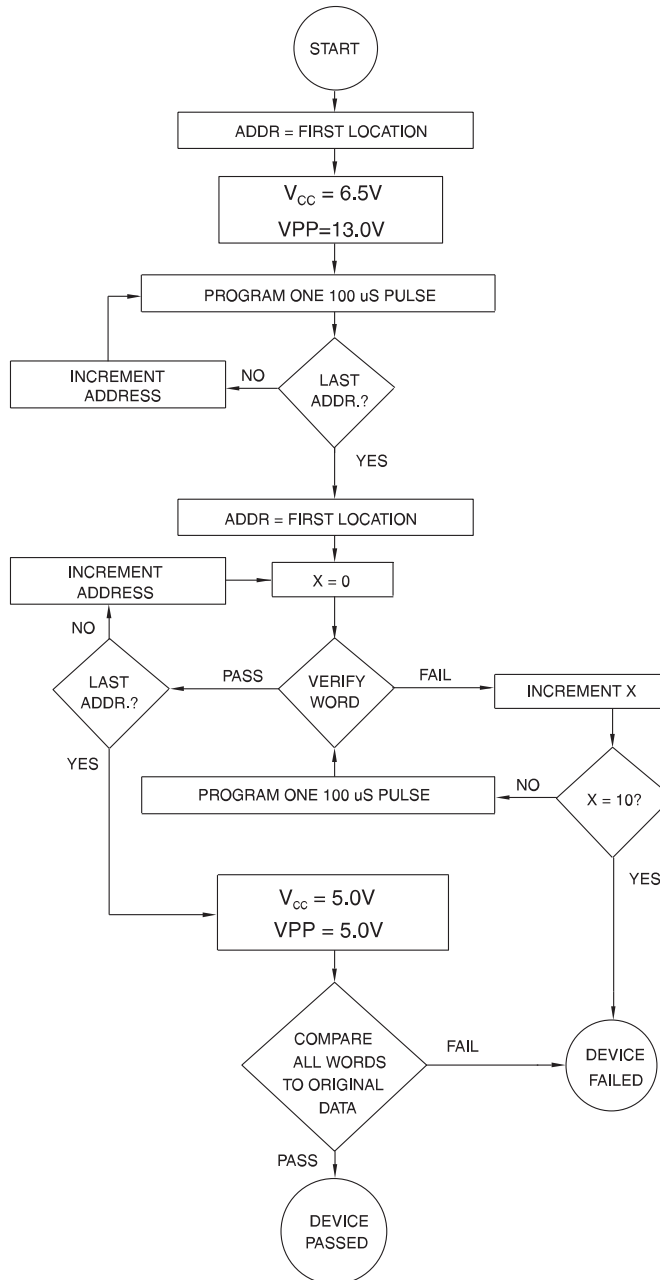
| Codes | Pins | | | | | | | | | | Hex Data |
|--------------|------|--------|----|----|----|----|----|----|----|----|----------|
| | A0 | O15-O8 | O7 | O6 | O5 | O4 | O3 | O2 | O1 | O0 | |
| Manufacturer | 0 | 0 | 0 | 0 | 0 | 1 | 1 | 1 | 1 | 0 | 001E |
| Device Type | 1 | 0 | 1 | 1 | 1 | 1 | 0 | 0 | 0 | 1 | 00F1 |

Note: 1. The AT27BV1024 has the same Product Identification Code as the AT27C1024. Both are programming compatible.



18. Rapid Programming Algorithm

A 100 μs $\overline{\text{PGM}}$ pulse width is used to program. The address is set to the first location. V_{CC} is raised to 6.5V and V_{PP} is raised to 13.0V. Each address is first programmed with one 100 μs $\overline{\text{PGM}}$ pulse without verification. Then a verification/reprogramming loop is executed for each address. In the event a word fails to pass verification, up to 10 successive 100 μs pulses are applied with a verification after each pulse. If the word fails to verify after 10 pulses have been applied, the part is considered failed. After the word verifies properly, the next address is selected until all have been checked. V_{PP} is then lowered to 5.0V and V_{CC} to 5.0V. All words are read again and compared with the original data to determine if the device passes or fails.



19. Ordering Information

19.1 Standard Package

| t _{ACC} (ns) | I _{CC} (mA) | | Ordering Code | Package | Operation Range |
|--------------------------|----------------------|---------|------------------------------------|---------------------------|---------------------------------|
| | Active | Standby | | | |
| 90 | 8 | 0.02 | AT27BV1024-90JI AT27BV1024-90VI | 44J 40V ⁽¹⁾ | Industrial (-40° C to 85° C) |

Note: Not recommended for new designs. Use Green package option.

19.2 Green Package (Pb/Halide-free)

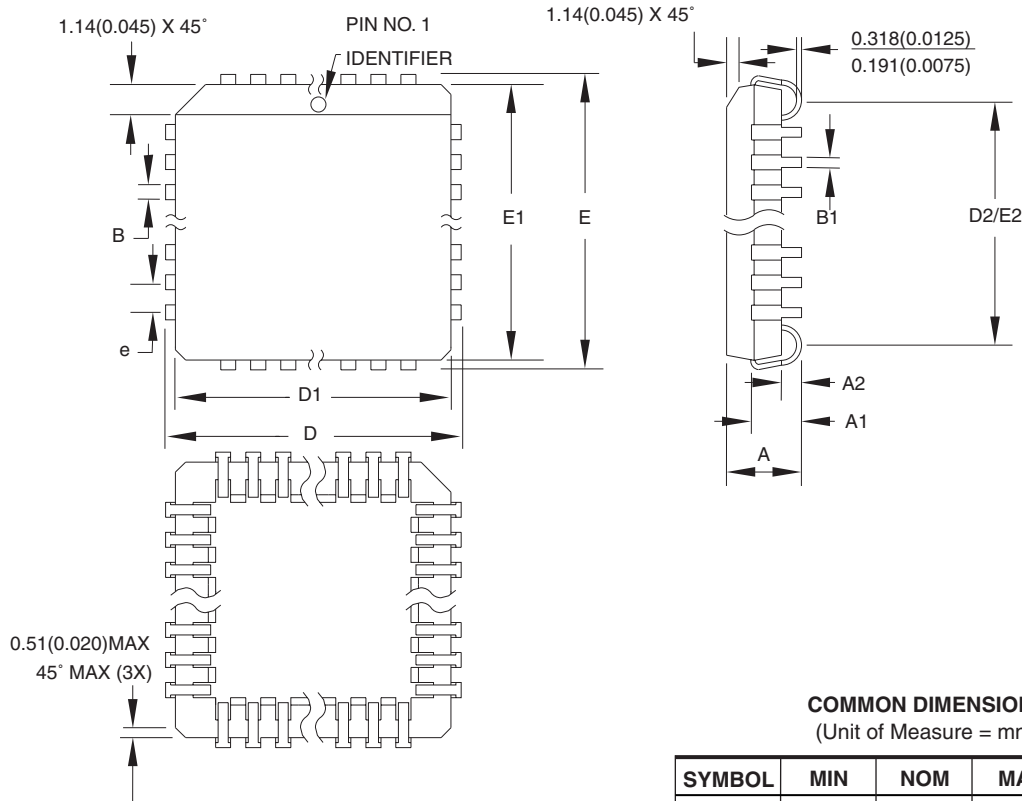
| t _{ACC} (ns) | I _{CC} (mA) | | Ordering Code | Package | Operation Range |
|--------------------------|----------------------|---------|-----------------|---------|---------------------------------|
| | Active | Standby | | | |
| 90 | 8 | 0.02 | AT27BV1024-90JU | 44J | Industrial (-40° C to 85° C) |
| 120 | 8 | 0.02 | AT27BV1024-12JU | 44J | Industrial (-40° C to 85° C) |

Note: 1. The 40-lead VSOP package is not recommended for new designs.

| Package Type | |
|--------------|--|
| 44J | 44-lead, Plastic J-leaded Chip Carrier (PLCC) |
| 40V | 40-lead, Plastic Thin Small Outline Package (VSOP) |

20. Packaging Information

21. 44J – PLCC



COMMON DIMENSIONS
(Unit of Measure = mm)

| SYMBOL | MIN | NOM | MAX | NOTE |
|--------|-----------|-----|--------|--------|
| A | 4.191 | – | 4.572 | |
| A1 | 2.286 | – | 3.048 | |
| A2 | 0.508 | – | – | |
| D | 17.399 | – | 17.653 | |
| D1 | 16.510 | – | 16.662 | Note 2 |
| E | 17.399 | – | 17.653 | |
| E1 | 16.510 | – | 16.662 | Note 2 |
| D2/E2 | 14.986 | – | 16.002 | |
| B | 0.660 | – | 0.813 | |
| B1 | 0.330 | – | 0.533 | |
| e | 1.270 TYP | | | |

- Notes:
1. This package conforms to JEDEC reference MS-018, Variation AC.
 2. Dimensions D1 and E1 do not include mold protrusion. Allowable protrusion is .010"(0.254 mm) per side. Dimension D1 and E1 include mold mismatch and are measured at the extreme material condition at the upper or lower parting line.
 3. Lead coplanarity is 0.004" (0.102 mm) maximum.

10/04/01



2325 Orchard Parkway
San Jose, CA 95131

TITLE

44J, 44-lead, Plastic J-leaded Chip Carrier (PLCC)

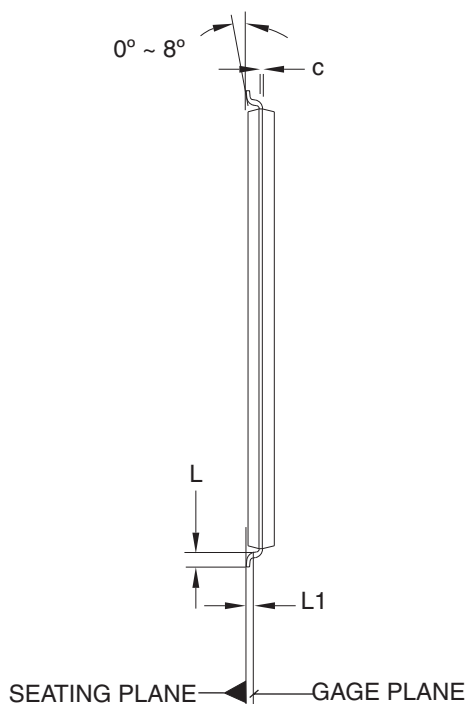
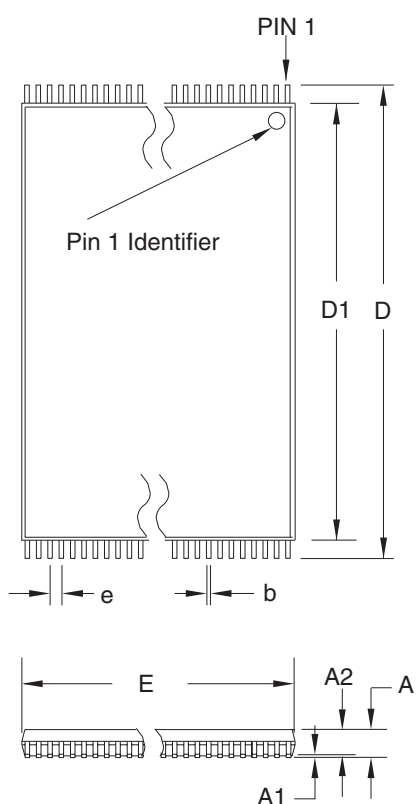
DRAWING NO.

44J

REV.

B

22. 40V – VSOP



COMMON DIMENSIONS
(Unit of Measure = mm)

| SYMBOL | MIN | NOM | MAX | NOTE |
|--------|------------|-------|-------|--------|
| A | – | – | 1.20 | |
| A1 | 0.05 | – | 0.15 | |
| A2 | 0.95 | 1.00 | 1.05 | |
| D | 13.80 | 14.00 | 14.20 | |
| D1 | 12.30 | 12.40 | 12.50 | Note 2 |
| E | 9.90 | 10.00 | 10.10 | Note 2 |
| L | 0.50 | 0.60 | 0.70 | |
| L1 | 0.25 BASIC | | | |
| b | 0.17 | 0.22 | 0.27 | |
| c | 0.10 | – | 0.21 | |
| e | 0.50 BASIC | | | |

- Notes:
1. This package conforms to JEDEC reference MO-142, Variation CA.
 2. Dimensions D1 and E do not include mold protrusion. Allowable protrusion on E is 0.15 mm per side and on D1 is 0.25 mm per side.
 3. Lead coplanarity is 0.10 mm maximum.

10/18/01

ATMEL 2325 Orchard Parkway
San Jose, CA 95131

TITLE
40V, 40-lead (10 x 14 mm Package) Plastic Thin Small Outline
Package, Type I (VSOP)

DRAWING NO.
40V

REV.
B