

FEATURES

- § Demonstrates the capabilities of the DS2764 Li⁺ Battery Monitor, including:
 - Temperature measurement
 - Voltage measurement
 - Current measurement
 - Current accumulation
 - Information storage
 - Identification
 - Overvoltage/Undervoltage protection
 - Overcurrent/short circuit protection
- § Interfaces to the USB port of a PC running Windows OS

EVALUATION KIT CONTENTS

- 1 pc. TSSOP Evaluation Board
- 1 pc. DS91230 USB Adapter
- 1 pc. RJ-11 Cable
- 1 pc. DS2764K CD containing:
 - DS2764K Evaluation Software
 - DS2764 Related Documentation

EQUIPMENT NEEDED

1. A PC running Windows OS with a CD ROM drive and an available USB port.
2. Cables with mini-grabber style clips or the ability to solder directly to connection pads.
3. A Lithium-Ion battery and a power supply and/or load circuit.

INDEX

- Evaluation Kit Contents
- Equipment Needed
- Introduction
- Setup and Installation
 - Board Connections
 - Software Installation
 - Selecting the COM Port
- Program Menus
 - Register Windows
- Program Tabs
 - Real Time Meters
 - Data Logging
 - User Memory
 - Pack Information
 - Fuel Gauging

INTRODUCTION

The DS2764K Evaluation Kit makes performance evaluation, software development, and prototyping with the DS2764 Lithium-Ion Battery Monitor easy. The evaluation board interfaces to a PC through a DS91230 USB Port Adapter and RJ-11 cable connection. The provided CD ROM contains all related datasheets along with the evaluation software, which can be run under any Windows operating system.

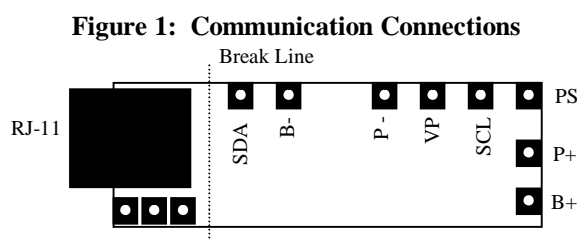
The DS2764K evaluation software gives the user complete control of all functions of the DS2764. Separate control tabs allow the user access to all EEPROM and RAM memory locations, all control registers, and real-time updates of all monitored parameters. The software also incorporates a data logging feature to monitor a cell over time and fuel gauging algorithms to improve remaining capacity calculations based on specific cell characteristics.

The evaluation board circuit is designed to provide the DS2764 with accurate parameter measurements, allow the DS2764 to disable charging or discharging, and protect the DS2764 from ESD damage. Kit demonstration boards will vary as they are improved upon over time. For information on the demonstration board circuits refer to the individual board datasheets located inside the documentation directory on the DS2764K CD ROM.

SETUP AND INSTALLATION

BOARD CONNECTIONS

Connections to the TSSOP demonstration board are best made either by soldering directly to the pads or by using cables with mini-grabber clips. Communication to the TSSOP board can be accomplished either through the RJ-11 jack by connecting the provided standard six conductor RJ-11 cord or by wiring directly to the SDA, SCL and PAC- pads. In the latter case, the size of the board can be reduced by snapping off the RJ-11 jack along the break line, see figure 1. To utilize the demonstration software, the SDA, SCL and PAC- lines must be connected to the DS91230 communication brick using either of the two methods described. The SDA and SCL weak pull up, VP, should not be connected when communicating through the DS91230. When using a different communication interface, connect VP to B+ to activate 4.7K pull-ups on SDA and SCL.



Figures 2a and 2b show the recommended circuits to simulate charging and discharging. The Lithium-Ion cell is connected between the B+ and B- pads. The battery charger/power supply or circuit load is connected between the P+ and P- pads. The evaluation software can be run in either configuration as long as a cell is connected between the B+ and B- terminals providing a minimum of 2.5 volts to power the DS2764. Some board versions also have connections for the PS pin. Refer to the datasheet for the operation of this pin. Leaving it unconnected does not interfere with the operation of the demonstration board.

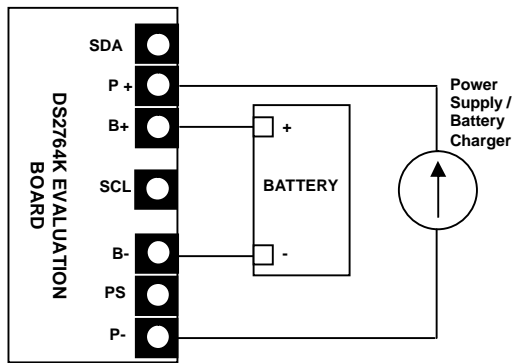


Figure 2a: Charging Circuit

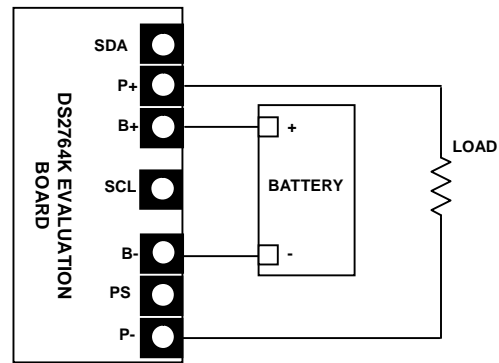


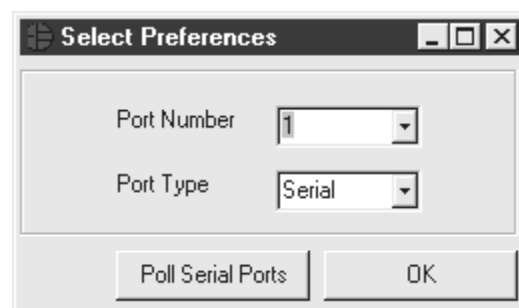
Fig 2b: Discharging Circuit

SOFTWARE INSTALLATION

To install the DS2764K software, exit all programs currently running and insert the DS2764K software CD into your computer's CD ROM drive. Double click the SETUP.EXE icon and the installation process begins. Follow the prompts to complete the installation. The DS2764K software can be uninstalled in the Add/Remove Programs tool in the Control Panel. After the installation is complete, open the DS2764K folder and run DS2764K.EXE or select DS2764K from the program menu. A splash screen containing information about the evaluation kit appears as the program is being loaded. The Documentation directory also located on the CD contains all relevant data sheets and application notes on the DS2764 and DS2764K.

SELECTING THE COMMUNICATION PORT

The first time the software runs, the Select Preferences window appears. In this window, select either serial port or USB communication and the port number; then hit OK. The DS2764K software saves this port selection and automatically uses the selection each time the program starts. To change the port later, click the Preferences option on the menu bar, select Port Settings, and then select the appropriate port. To attempt to automatically locate the DS91230, click the Poll Serial Ports button. Warning - automatically polling for the DS91230 can disrupt other devices connected to your computer's COM ports.



MENUS

Several pull down menu options have been provided to simplify use of the DS2764K software for the user. Their functions are individually detailed below.

FILE MENU



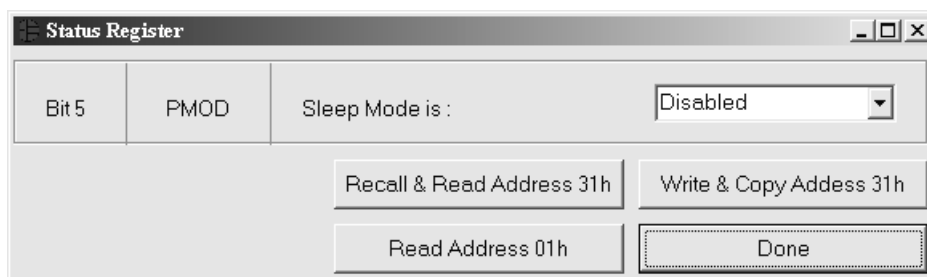
The File Menu allows the user to store information from a file directly into the Device Setup, Battery Data, and Fuel Gauging Data sections under the Pack Info Tab or take the same Pack Information and store to a file. These functions do not directly write or read the DS2764. It is still necessary for the user to store or recall this information to or from the device by issuing a WRITE or READ command under the Pack Info Tab.

REGISTERS MENU



The Registers Menu gives immediate access to all four status and function registers of the DS2764. Selecting any of the registers will open an individual control window giving the user a description of each register bit and the ability to read or write it. See the status register window example.

STATUS REGISTER



The present state of all register bits are displayed immediately upon opening the register window. R/W locations contain a selection field to allow the user to determine their state. Pressing either the APPLY or OK button in the EEPROM Register or Special Feature Register windows will automatically update and read the corresponding register inside the DS2764. The Protection and Status registers have default values stored in user EEPROM addresses 0x30h and 0x31h respectively. Their windows contain extra options to write or read these locations independently of their registers.

PREFERENCES MENU



The Preferences Menu allows the user to change COM port settings at any time. Edit Preferences opens the Select Preferences window. See Selecting the communication port above.

HELP MENU

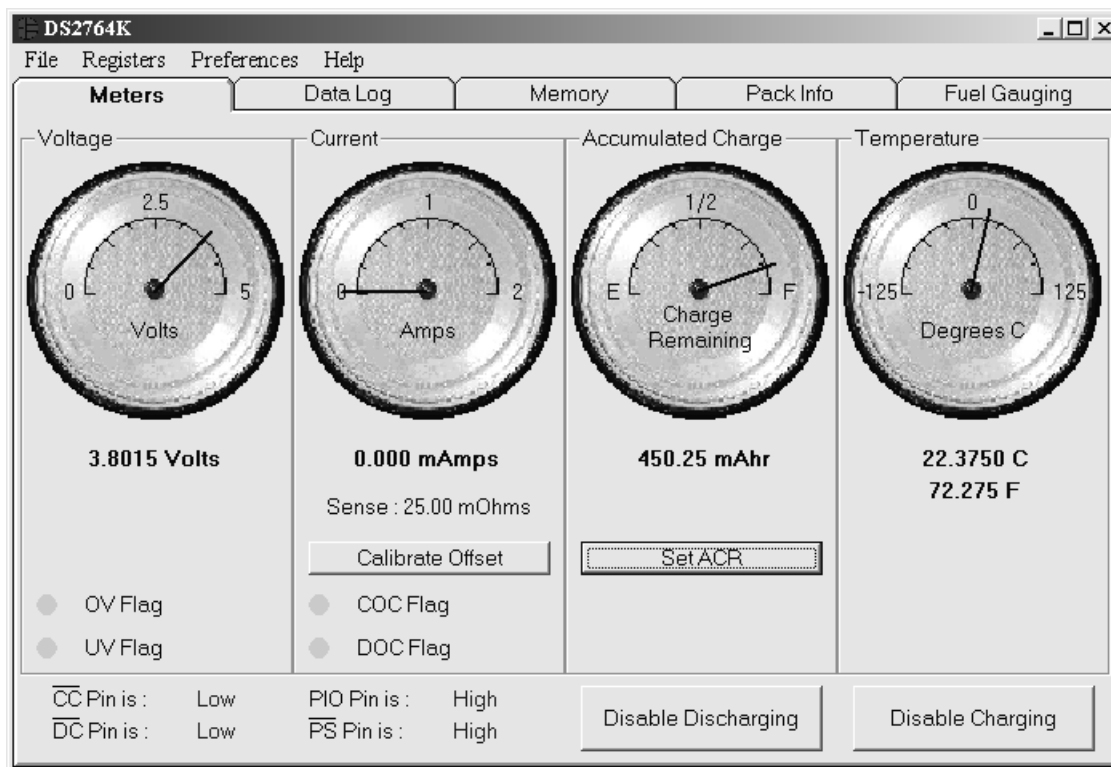


Selecting the About topic from the Help Menu will open a window containing information about the current revision of this program and Dallas Semiconductor.

PROGRAM TABS

All functions of the program are divided under five tabs in the main program window. Left click on the appropriate tab to move to the desired function page. Located under the Meters tab is all information on real-time updates measured by the DS2764: voltage, current, accumulated charge, temperature, alarms, and all error flags. The Data Log tab allows the user to store all real time information including protection register state to a file. The Memory tab displays the contents of every register and memory location inside the DS2764 and allows the user to alter the data. The Pack Information tab gives the user the ability to assign a default device configuration and store that information to the DS2764 and/or a file. The Fuel Gauging tab uses the cell characterization information stored under Pack Info to maintain a high accuracy remaining capacity indicator.

METERS TAB



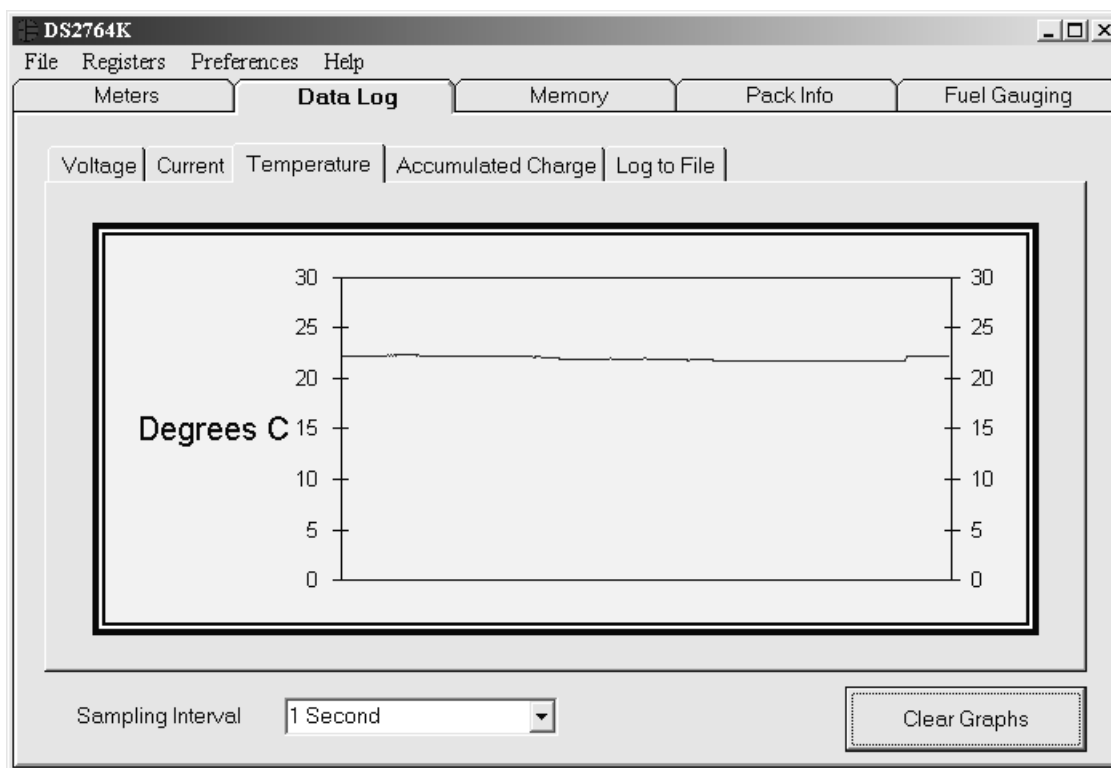
The Meters Screen displays the latest real-time measurements of cell voltage, temperature, current and accumulated charge with both analog meter readouts and digital values. The sense resistor value used to calculate the current reading is shown in the current section. Left click on it or go to the sense resistor sub-tab under Pack Info to change this value. The Calibrate Offset button in the current section allows the user to zero the current measurements under the conditions of their circuit. Left clicking this button will begin the automatic calibration procedure. Calibration should be performed while the pack is disconnected and there is no current flow. The next 32 readings will be averaged and the offset eliminated by adjusting the Current Offset Register (location 0x33h) automatically. The process takes approximately 20 seconds.

The user can bring up the Update Current Accumulator window by left clicking the Set ACR button. This window allows the user to enter values for the Current Accumulator Register and Rated Battery Capacity in mAH. Rated Battery Capacity is used to determine full scale range on the Charge Remaining Meter only. It has no effect on device operation.

The present states of the Charge Control and Discharge Control pins are shown at the bottom left of the window. These outputs are active low and drive two control FETs allowing charging and discharging of the cell pack. The Charge Control pin can be controlled manually by left clicking the Disable/Enable Charging button and will be forced high automatically by either an Overvoltage or Charge Overcurrent condition. The Discharge Control pin can also be controlled manually with the Disable/Enable Discharging button and will be forced high automatically by either an Undervoltage or Discharge Overcurrent condition. The present state of each of the four possible flag conditions (Overvoltage, Undervoltage, Charge Overcurrent, and Discharge Overcurrent) are represented by LEDs inside the voltage and current sections of the window. The corresponding LED will be green while the flag is in the cleared state. If conditions cause a flag to be tripped, the LED will turn red and a button will appear that

allows the user to clear the flag provided clear conditions have been met. If conditions for clearing the flag have not been met by the circuit, clicking the clear button will have no effect.

DATALOG TAB



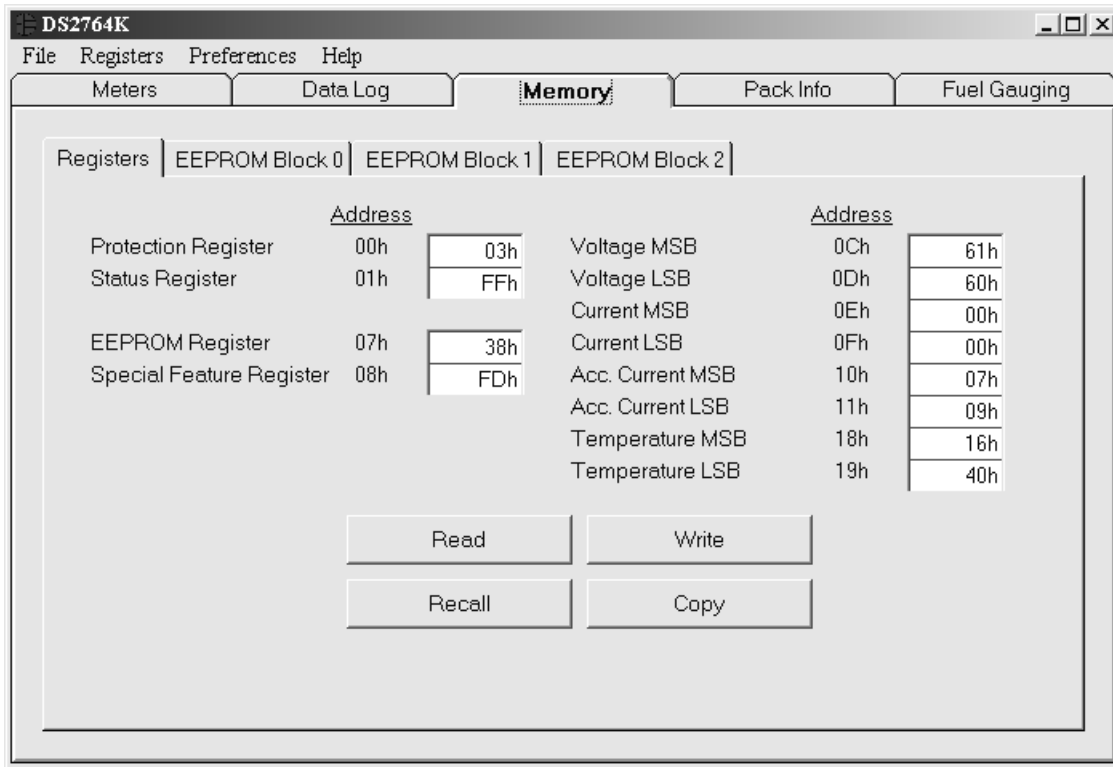
The Datalog tab allows the user to see the DS2764's parameter measurements graphed over time. There are separate sub-tabs for voltage, current, temperature, and accumulated charge. Each graph displays the last 500 data points collected by the DS2764K software. The sampling interval can be adjusted from as fast as possible to 15 minutes and can be adjusted from the Sampling Interval Menu at the bottom of the window. The Clear Graphs button will clear all data from all four graphs, but does not reset the log to file function.

The Log to File sub-tab contains control information for storing all log data to an ASCII file. The default filename is c:\DS2764K_datalog.txt, but can be modified in the filename text field. The Log Data button toggles data logging off and on. Data will be stored at the same interval selected for updating the graphs in the tab delimited format of

“Time<tab>Voltage<tab>Current<tab>Temperature<tab>CA<tab>Protection Register”

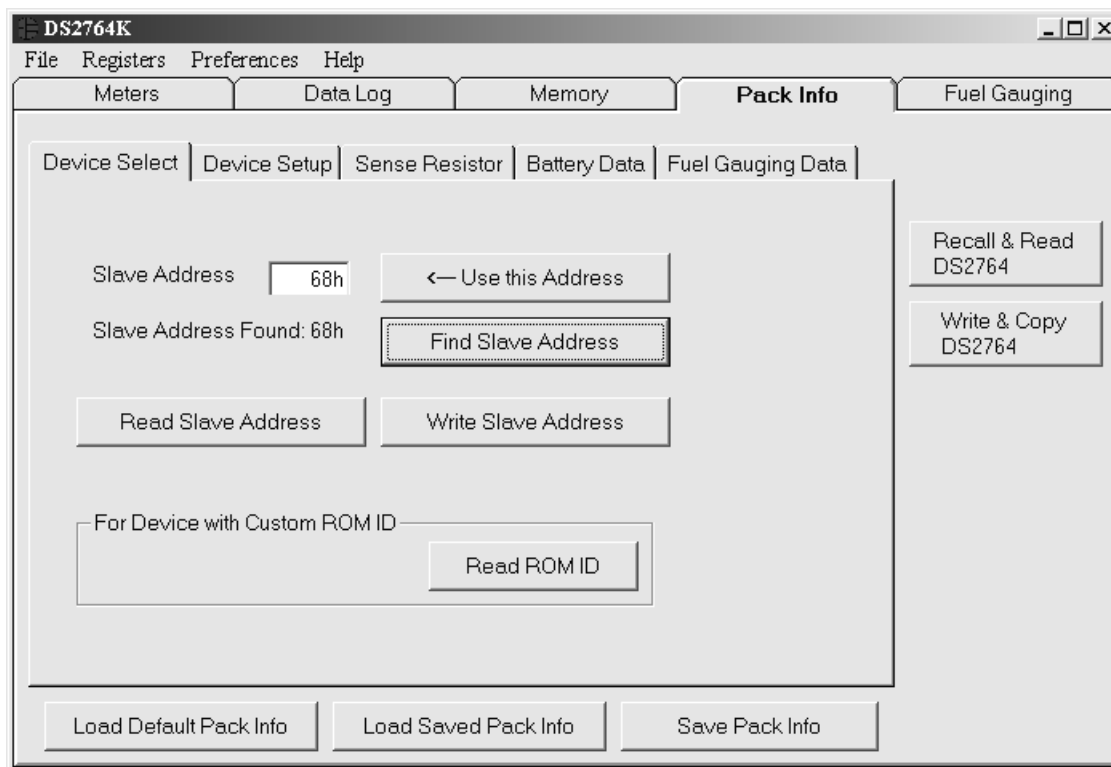
for easy import into a spreadsheet. The most recent 50 samples are displayed in the window for observation. Warning - The Log Data function overwrites previous file information. Data previously stored in the file will be lost.

MEMORY TAB



The Memory Tab gives the user access to all 12 register and 40 EEPROM bytes inside the DS2764. They are separated into four sub-tabs for convenience. Any value can be modified by clicking in that address' text box and typing a new value in hexadecimal format. The Write button will copy the entire block of data to the corresponding location inside the DS2764 (Scratchpad RAM on the EEPROM blocks). The Read button will update the entire block's text boxes with data from the DS2764 (Scratchpad RAM on the EEPROM blocks). Sub-tabs displaying any EEPROM data will also have Copy and Recall buttons to allow the user to transfer the data between Scratchpad and EEPROM memory internal to the DS2764. The Permanently Lock Block 0/1/2 buttons will permanently store the data currently located in that block's EEPROM if the LOCK bit in the EEPROM register is set. Otherwise this button will do nothing. Warning – this data can never be changed once locked. Verify your data first by issuing a Recall and a Read.

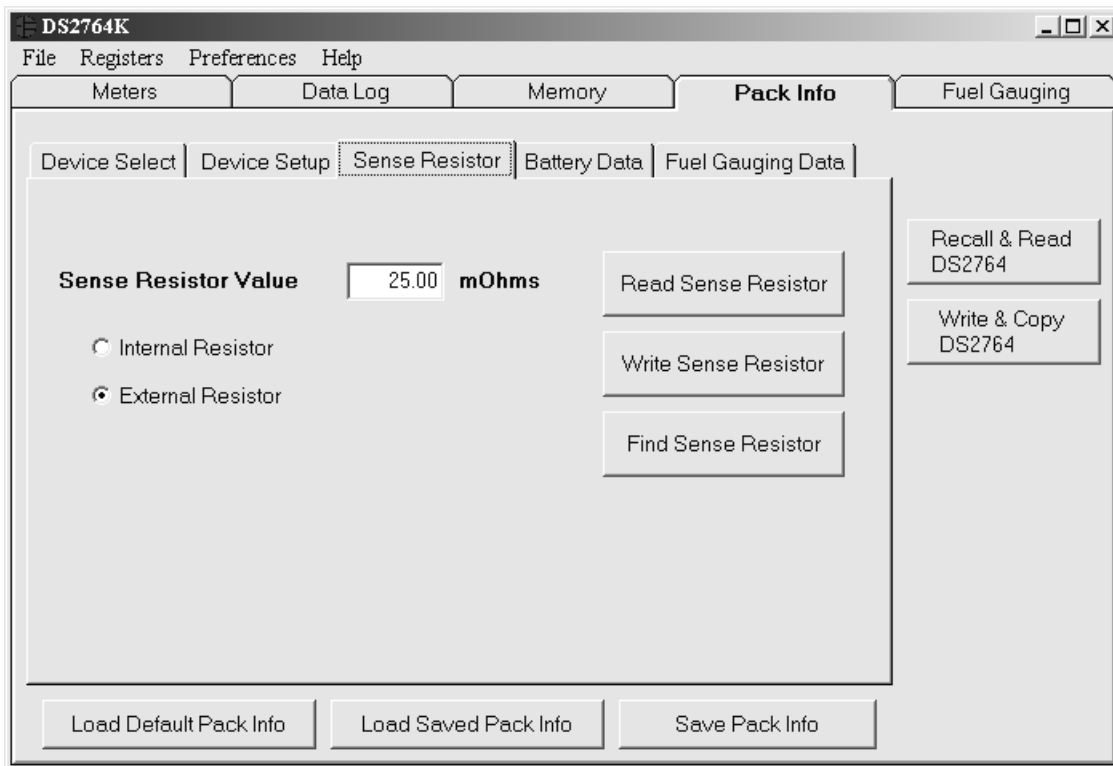
PACK INFORMATION TAB



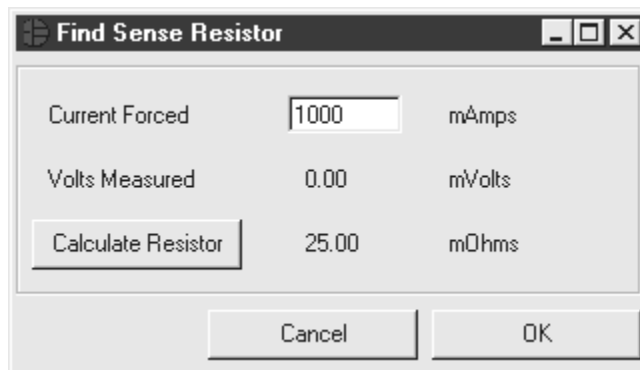
The Pack Information tab gives the pack manufacturer the ability to assign default register settings, device and sense resistor selection, and recommended manufacturer data and fuel gauging information.

The Device Select sub-tab allows the user to choose which 2-wire bus device to communicate with and allows the user to read the ROM ID programmed into custom versions of the DS2764. Clicking on the Find Slave Address button will begin a search of all addresses on the 2-wire bus. The slave address of the device can be changed by entering a new slave address and clicking the Write Slave Address button.

The Device Setup sub-tab shows the current state of all major features of the DS2764. All status indicators shown here directly mirror their corresponding bits in the Protection, Status, and Special Feature registers. Clicking on any of the status indicators will open the corresponding register window to allow editing. See Registers Menu above. The selection fields on the right hand side of the sub-tab set how the EEPROM backup bits (locations 0x30h and 0x31h) will be programmed when the DS2764 is programmed with the pack information.



The Sense Resistor Select sub-tab allows the user to correct the current measurements if a different value of sense resistor is used. All DS2764s with an integrated sense resistor use 25mΩs. If the sense resistor is located externally, the user should select the external resistor radio button on this tab, then enter the value of the resistor in mΩs in the Sense Resistor Value field and then click the Write Sense Resistor button. The Find Sense Resistor button opens the Find Sense Resistor window. The user can then determine the resistance by forcing a known current and measuring the voltage drop with the DS2764. The resistance value is stored with ¼ mΩ resolution into the user EEPROM of the device. The program uses this value to convert the voltage difference from the VSENS+ and VSENS- pins into milliamps. If this value does not match the value of the external resistor, current measurements will be inaccurate.



The Battery Data and Fuel Gauging Data sub-tabs demonstrate how the pack manufacturer can use the DS2764s EEPROM fields to store relevant pack information such as assembly date, chemistry, etc... The fuel gauging characterization data is used by the fuel gauging algorithms in the software. See the Fuel Gauging Tab description below. Clicking on the Load Default Pack Info button will enter example data

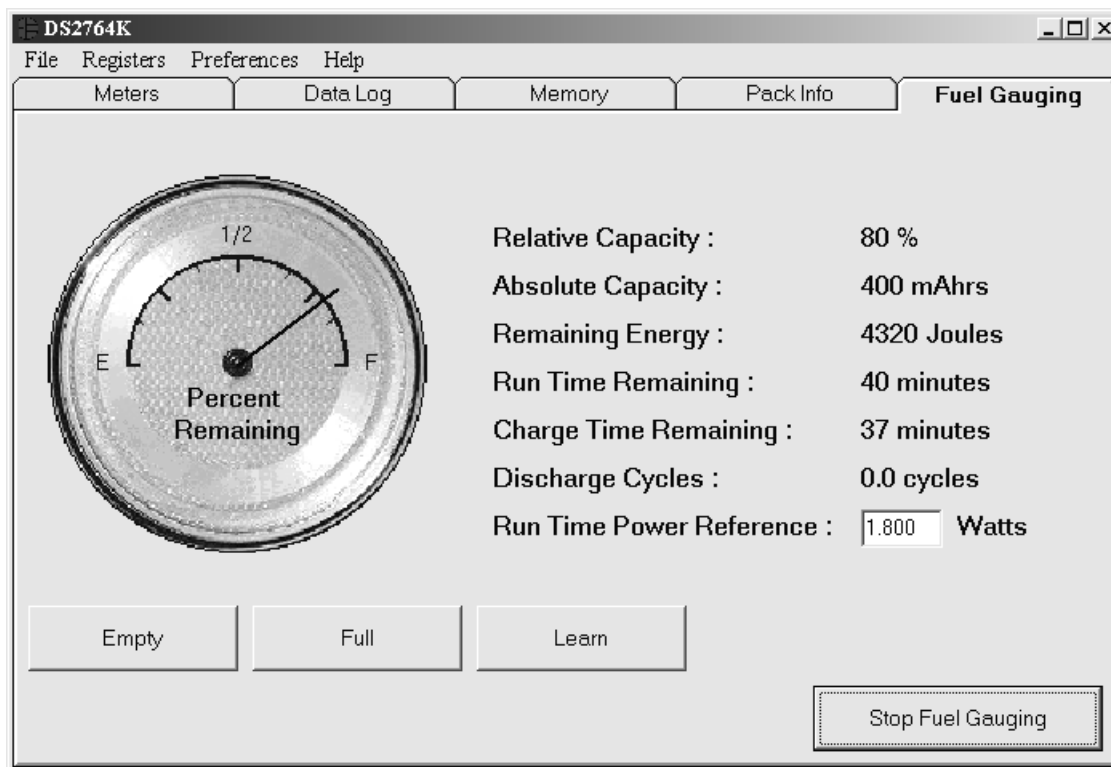
into the information fields of the Device Setup, Battery Data, and Fuel Gauging Data sub-tabs. To change any of this information, simply click on the desired text field and enter the new value. Once all data is in the desired format, click on the Write DS2764 button to copy it to the EEPROM of the DS2764. This information can also be stored to a file and recalled later using the Load/Save Pack Info buttons.

MEMORY MAP OF PACK INFORMATION DATA

Addresses	0x20	Fuel Gauging – Full Point at 0°C				
	0x21	Fuel Gauging – Full Point difference from 10°C to 0°C				
	0x22	Fuel Gauging – Full Point difference from 20°C to 10°C				
	0x23	Fuel Gauging – Full Point difference from 30°C to 20°C				
	0x24	Fuel Gauging – Full Point difference from 40°C to 30°C				
	0x25	Fuel Gauging – Full Point difference from 40°C to 30°C				
	0x26	Total Accumulated Discharge – Divided by 20 to store in 2 bytes				
	0x27	Total Accumulated Discharge – Divided by 20 to store in 2 bytes				
	0x28	Fuel Gauging - Age Scalar				
	0x29	Fuel Gauging - Age Scalar				
	0x2A	Fuel Gauging – Time from Break Point to Full at 0°C				
	0x2B	Fuel Gauging – Time from Break Point to Full at 20°C				
	0x2C	Fuel Gauging – Time from Break Point to Full at 40°C				
	0x2D	Fuel Gauging – Time from Empty to Full at 0°C				
	0x2E	Fuel Gauging – Time from Empty to Full at 20°C				
	0x2F	Fuel Gauging – Time from Empty to Full at 40°C				
	0x30	Cell Chemistry	Manufacturer		CE	DE
	0x31	PMOD	RNAOP	SWEN	IE	
	0x32	Fuel Gauging – Charge Estimation Break Point in mAH				
	0x33	Current Offset – Do not overwrite				
	0x34	Sense Resistor (1/4mΩ resolution)				
	0x35	Date Code – 2 bytes				
	0x36	Date Code – 2 bytes				
	0x37	Fuel Gauging – Standby Empty Point difference from 0°C to 10°C				
	0x38	Fuel Gauging – Standby Empty Point difference from 10°C to 20°C				
	0x39	Fuel Gauging – Standby Empty Point difference from 20°C to 30°C				
	0x3A	Fuel Gauging – Standby Empty Point difference from 30°C to 40°C				
	0x3B	Fuel Gauging – Active Empty Point difference from 0°C to 10°C				
	0x3C	Fuel Gauging – Active Empty Point difference from 10°C to 20°C				
	0x3D	Fuel Gauging – Active Empty Point difference from 20°C to 30°C				
	0x3E	Fuel Gauging – Active Empty Point difference from 30°C to 40°C				
	0x3F	Fuel Gauging – Active Empty Point at 40°C				

The memory map above shows the format in which the data is stored within the device. All static data is stored in Block 1 while data which might need to be updated is in Block 0. The pack manufacturer can now permanently lock Block 1 to maintain data integrity while leaving Block 0 open for access by the host processor.

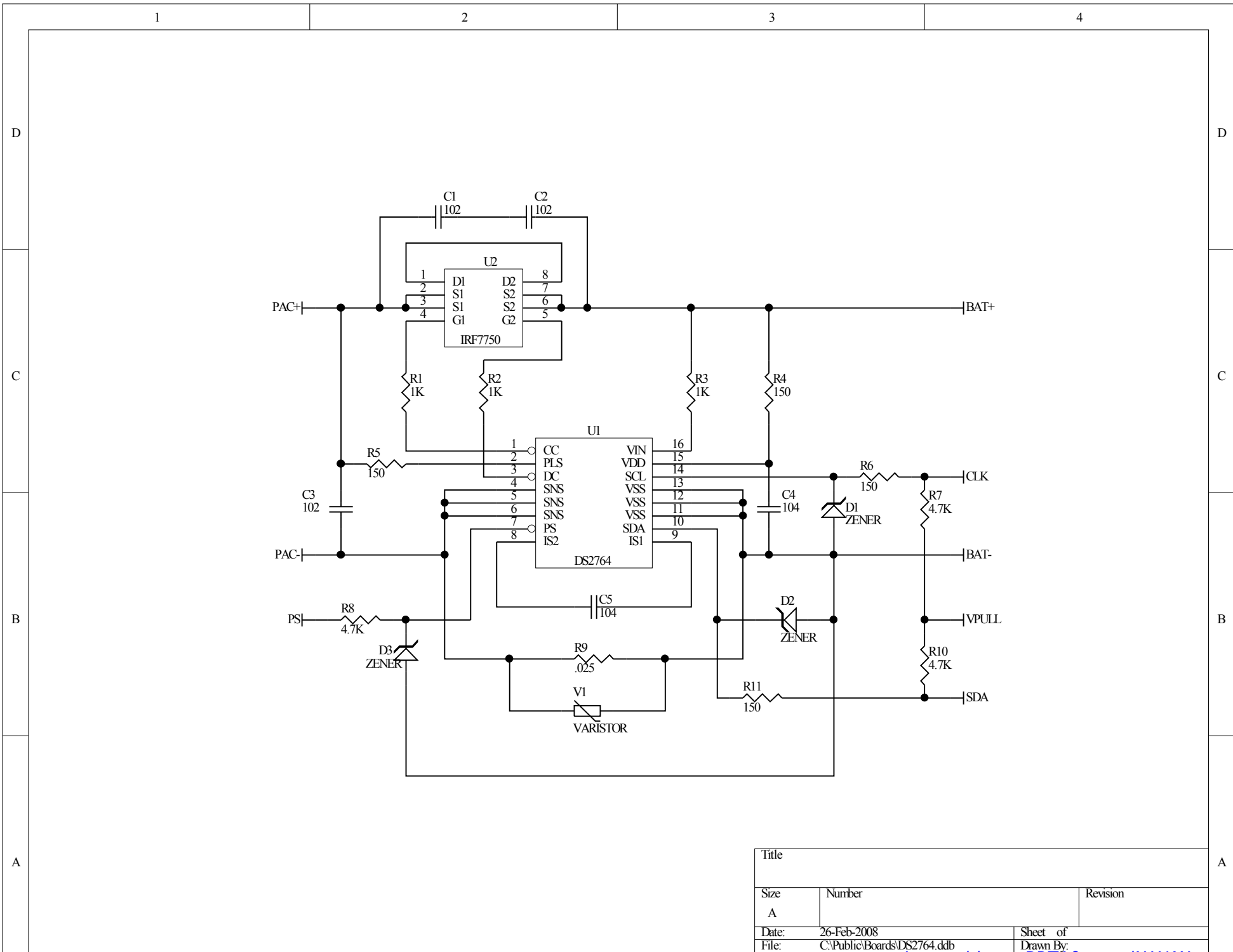
FUEL GAUGING TAB



The final program tab performs a high accuracy calculation of remaining cell capacity using Dallas Semiconductor's fuel gauging algorithms. For this feature to function properly, cell characterization data must be stored in the DS2764's user EEPROM. See the Pack Information section above. If characterization data cannot be found, the fuel gauge will not start and an error message will be displayed. The Relative Capacity number represents what percentage of cell capacity is remaining based on present algorithm inputs such as temperature, discharge rate, etc... This value is also reflected in the analog meter. The remaining cell capacity is also displayed in terms of milliamp-hours and Joules under Absolute Capacity and Remaining Energy respectively.

The remaining run time is calculated using the Run Time Power Reference input from the user. Instantaneous current measurements in the user's application can vary greatly. By using a reference scalar instead of actual current and voltage measurements, the program produces a stable estimation of remaining run time. The user should enter the largest expected power draw from the device into the Run Time Power Reference field for the most accurate estimation.

If this example were part of a fully integrated fuel gauging system, the algorithms would need to be updated by the host each time the cell was fully charged or discharged in order to maintain long term accuracy. To simulate this, the user should click the Empty or Full buttons each time the monitored pack is completely charged or discharged. The Empty button will reset the Current Accumulator to the expected empty point based on present conditions. The Full button will set the Current Accumulator the expected full point based on present conditions. The Learn button will reset the expected full point to the present Current Accumulator value and update the fuel gauging information in the DS2764's user EEPROM. In doing this, the algorithms "learn" from previous results and are more accurate in the future. This tab gives an example only of fuel gauging. For more information on the process of high accuracy fuel gauging consult Dallas Semiconductor's fuel gauging application notes.



Title		
Size	Number	Revision
A		
Date:	26-Feb-2008	Sheet of
File:	C:\Public\Boards\DS2764.ddb	Drawn By:

<http://www.BDTIC.com/MAXIM>