



MAX1535D Evaluation Kit/ Evaluation System

Evaluate: MAX1535D

General Description

The MAX1535D evaluation kit (EV kit) is an efficient, multichemistry battery charger. It uses the Intel System Management Bus (SMBus™) to control the battery regulation voltage, charger current output, and input current-limit set point.

The MAX1535D EV kit can charge one, two, three, or four series Li+ cells with a current up to 8A.

The MAX1535D evaluation system (EV system) consists of a MAX1535D EV kit and the Maxim SMBUSMON board. The MAX1535D EV kit includes Windows® 95-/98-/2000-/XP-compatible software to provide a user-friendly interface.

Features

- ◆ 0.5% Battery Voltage Accuracy
- ◆ 3% Battery Charge-Current Accuracy
- ◆ Input Current-Limiting Set Point through SMBus Command
- ◆ Up to 8A Battery Charge Current
- ◆ Automatic Selection of System Power Source
- ◆ +8V to +25V Input Voltage Range
- ◆ Charges Li+, NiCd, NiMH Battery Chemistries
- ◆ SMBus-Compatible 2-Wire Serial Interface
- ◆ Includes Windows 95-/98-/2000-/XP-Compatible Software and Demo PC Board
- ◆ Fully Assembled and Tested

Ordering Information

PART	TEMP RANGE	IC PACKAGE	SMBus INTERFACE TYPE
MAX1535DEVKIT	0°C to +70°C	32 Thin QFN (5mm x 5mm)	—
MAX1535DEVSYS	0°C to +70°C	32 Thin QFN (5mm x 5mm)	SMBUSMON

Component Suppliers

SUPPLIER	PHONE	FAX	WEBSITE
AVX	843-946-0238	843-626-3123	www.avxcorp.com
Diodes Inc.	805-446-4800	805-446-4850	www.diodes.com
International Resistive Co. (IRC)	361-992-7900	361-992-3377	www.irctt.com
Kemet	864-963-6300	864-963-6322	www.kemet.com
Murata	770-436-1300	770-436-3030	www.murata.com
ON Semiconductor	602-244-6600	602-244-4545	www.onsemi.com
Sumida	847-545-6700	847-545-6720	www.sumida.com
Taiyo Yuden	800-348-2496	847-925-0899	www.t-yuden.com
TDK	847-803-6100	847-390-4405	www.component.tdk.com
Vishay	402-564-3131	402-563-6296	www.vishay.com

Note: Indicate you are using the MAX1535D when contacting these manufacturers.

SMBus is a trademark of Intel Corp.

Windows is a registered trademark of Microsoft Corp.



Maxim Integrated Products 1

For pricing, delivery, and ordering information, please contact Maxim/Dallas Direct! at 1-888-629-4642, or visit Maxim's website at www.maxim-ic.com.

www.BDTIC.com/maxim

MAX1535D Evaluation Kit/ Evaluation System

Component List

Evaluate: MAX1535D

DESIGNATION	QTY	DESCRIPTION
C1	1	2.2 μ F \pm 20%, 35V B-size tantalum capacitor AVX TAJB225M035 Kemet T491B225M035AS
C2	1	1 μ F \pm 10%, 25V X7R ceramic capacitor (1206) Murata GRM31MR71E105K Taiyo Yuden TMK316BJ105KL TDK C3216X7R1E105K
C3, C4, C5	3	0.01 μ F \pm 10%, 50V X7R ceramic capacitors (0603) Murata GRM188R71H103K Taiyo Yuden UMK107B103KZ TDK C1608X7R1H103K
C6, C8, C10	3	0.1 μ F \pm 10%, 25V X7R ceramic capacitors (0603) Murata GRM188R71E104K TDK C1608X7R1E104K
C7, C9	2	1 μ F \pm 10%, 16V X7R ceramic capacitors (0805) Murata GRM21BR71C105K Taiyo Yuden EMK212BJ105KG TDK C2012X7R1C105K
C11, C12, C15, C16	0	Not installed (2220)
C13, C14, C17, C18	4	22 μ F \pm 20%, 25V X5R ceramic capacitors (2220) TDK C5750X5R1E226M
C19–C22	0	Not installed (0805)
C24	1	3300pF \pm 10%, 50V X7R ceramic capacitor (0603) Murata GRM188R71H332K Taiyo Yuden UMK107B332KZ TDK C1608X7R1H332K

DESIGNATION	QTY	DESCRIPTION
D1	1	0.5A, 30V Schottky diode (SOD123) Diodes Inc. B0530W Vishay Semiconductors MBR0530 ON Semiconductor MBR0530
D2	0	Not installed
J1	1	2 x 10 right-angle female receptacle
J2	1	Smart-battery header assembly, right angle, keyless, five position
JU1, JU2, JU3	0	Not installed
L1	1	4.3 μ H, 11A, 11.4m Ω inductor Sumida CEP125-4R3MC-U
N1	1	13.5A, 30V n-channel MOSFET (8-pin SO) Fairchild FDS6670S
P1–P8	8	-13A, -30V p-channel MOSFETs (8-pin SO) Fairchild FDS6679Z
R1, R2	2	0.01 Ω \pm 1%, 1W sense resistors (2512) Vishay Dale WSL2512 0.010 1.0% IRC LRC-LRF2512-01-R010-F
R3	1	365k Ω \pm 1% resistor (0805)
R4	1	49.9k Ω \pm 1% resistor (0805)
R5	1	1M Ω \pm 5% resistor (0805)
R6, R7, R16–R19	0	Not installed (0603)
R8	1	20k Ω \pm 5% resistor (0603)
R9–R12	4	10k Ω \pm 5% resistors (0805)
R13	1	33 Ω \pm 5% resistor (0805)
R14, R15	0	Not installed
R20	1	5.1 Ω \pm 5% resistor (0603)
R21	1	69.8k Ω \pm 1% resistor (0603)
R22	1	49.9k Ω \pm 1% resistor (0603)
R23	1	14.7k Ω \pm 1% resistor (0603)
R24	1	100k Ω \pm 1% resistor (0603)
R25	1	10 Ω \pm 5% resistor (0603)
U1	1	MAX1535DETJ, 32-pin, 5mm x 5mm thin QFN

MAX1535D Evaluation Kit/ Evaluation System

Evaluate: MAX1535D

Quick Start

Recommended Equipment

- DC source to supply the input current to the charger. This source must be capable of supplying a voltage greater than the battery-voltage set point and have sufficient current rating.
- Voltmeter
- Smart battery
- Computer running Windows 95, 98, 2000, or XP
- 9-pin serial extension cable
- SMBUSMON board

Procedure

The MAX1535D EV kit is a fully assembled and tested board. Follow the steps below to verify board operation.

Do not turn on the power supply until all connections are completed. Observe all precautions on the battery manufacturer's data sheet.

- 1) Set the VPP jumper on the SMBUSMON board to VCC5.
- 2) Carefully connect the boards by aligning the 20-pin connector of the MAX1535D EV kit with the 20-pin header of the SMBUSMON board. Gently press them together.
- 3) Connect a cable from the computer's serial port to the SMBUSMON interface board. Use a straight-through 9-pin female-to-male cable.
- 4) Install the software by running the **INSTALL.EXE** program. The install program copies the files and creates icons for them in the Windows 95/98/2000/XP start menu. An uninstall program is included with the software. Click on the UNINSTALL icon to remove the EV kit software from the hard drive.
- 5) Connect power to the SMBUSMON board.
- 6) Connect the input-current supply across the ADAPTER_IN and PGND pads.
- 7) Connect a smart battery to connector J2.
- 8) Turn on the power supply.
- 9) Start the MAX1535D EV kit software.
- 10) Verify current is being delivered to the battery.

Detailed Description of Software

The MAX1535D program provides easy access to the MAX1535D registers. It is also capable of reading the registers of a smart battery and monitoring SMBus traffic.

Upon execution of the program, the software enables the MAX1535D smart-charger command panel (Figure 1),

after which any of the allowed SMBus commands can be sent to the MAX1535D. Refer to the MAX1535D data sheet for more information regarding the allowed SMBus commands.

Smart-Charger Command Panel

ChargeVoltage()

To issue the ChargeVoltage() command to the MAX1535D, enter the desired voltage, in millivolts, into the **ChargingVoltage** edit field and select the adjacent **Write** button.

ChargeCurrent()

To issue the ChargeCurrent() command to the MAX1535D, enter the desired current, in milliamps, into the **ChargingCurrent** edit field and select the adjacent **Write** button.

Auto Rewrite Checkboxes

The MAX1535D needs to receive a ChargeVoltage() or ChargeCurrent() command every 175s (typ); otherwise, the MAX1535D times out and terminates charging. Usually, a smart battery sends these necessary commands. However, when not using a smart battery with the MAX1535D EV kit, select either (or both) of the **Auto Re-Write** checkboxes located directly under the **ChargingCurrent** and **ChargingVoltage** edit fields. This generates a ChargeVoltage() or ChargeCurrent() command at the selected time interval located on the **Timer** panel.

ChargerMode()

To issue the ChargerMode() command to the MAX1535D, select a combination of checkboxes in the **ChargerMode** panel of commands. Each checkbox represents a bit in the ChargerMode() command word. Select the checkboxes next to the bits for which the software should write a 1, unselect the checkboxes for a 0. Send the command by selecting the **Write** button.

Note: To initiate charging, ensure the MAX1535D is first reset by selecting bit 2 (POR_RESET) of the **ChargerMode** register and click the **Write** button. Then deselect bit 2 and click the **Write** button again. Next, set the input current, charging current, and charging voltage to the desired values.

ChargerStatus()

Charger status is shown in the **ChargerStatus** panel. Each bit in the ChargerStatus() command word is shown individually with a short description of the bit.

By default, the status is automatically read once every two seconds. Disable this feature by unselecting the **Active Read: Charger** checkbox located on the **Timer** panel. Change the refresh time by entering a new value

MAX1535D Evaluation Kit/ Evaluation System

into the **Timer Interval** edit box and select the **Set Interval** button. When **Auto Re-Write** is disabled, issue a `ChargerStatus()` command by selecting the **Read** button on the **ChargerStatus** panel.

ChargerSpecInfo()

`ChargerSpecInfo()` returns the Charger Specification (0x0002) from the MAX1535D. This command is available through the **Other Bitmapped Charger Registers...** panel. Select **ChargerSpecInfo** by picking it from the pulldown list located directly under the **Other Bitmapped Charger Registers...** label. Issue a `ChargerSpecInfo()` command by selecting the **Read** button. The returned hexadecimal value is shown at the bottom of the panel.

AlarmWarning()

AlarmWarning is shown on the **Other Bitmapped Charger Registers...** panel (Figure 2). Select **Alarm Warning** by picking it from the pulldown list located directly under the **Other Bitmapped Charger Registers...** label. Each of the bits in the `AlarmWarning()` command word are shown individually with a short description of the bit and a checkbox. Select the checkboxes next to the bits for which the software should write a 1; unselect the checkboxes for a 0. Send the command to the MAX1535D by selecting the **Write** button.

InputCurrent()

Input Current is shown on the **Other Bitmapped Charger Registers...** panel (Figure 2). Select **InputCurrent** by picking it from the pulldown list located directly under the **Other Bitmapped Charger Registers...** label. Each of the bits in the `InputCurrent()` command word are shown individually with a short description of the bit and a checkbox. Select the checkboxes next to the bits for which the software should write a 1; unselect the checkboxes for a 0. Send the command to the MAX1535D by selecting the **Write** button.

Note: The default input-current-limit setting at POR is 256mA. All codes requesting input current greater than 11.004A result in an input-current overrange, limiting the input current to 11.004A.

ManufacturerID()

`ManufacturerID()` returns the Manufacturer ID (0x004D) from the MAX1535D. This command is available through the **Other Bitmapped Charger Registers...** panel (Figure 2). Select **ManufacturerID** by picking it from the pulldown list located directly under the **Other Bitmapped Charger Registers...** label. Issue a `ManufacturerID()` command by

selecting the **Read** button. The returned hexadecimal value is shown at the bottom of the panel.

DeviceID()

`DeviceID()` returns the Device ID (0x0006) from the MAX1535D. This command is available through the **Other Bitmapped Charger Registers...** panel (Figure 2). Select **DeviceID** by picking it from the pulldown list located directly under the **Other Bitmapped Charger Registers...** label. Issue a `DeviceID()` command by selecting the **Read** button. The returned hexadecimal value is shown at the bottom of the panel.

Smart-Battery Command Panel

The software is capable of reading the registers of a smart battery. The smart battery page of the software is shown in Figure 3. The software only reads the registers selected with checkmarks. By default, the registers are automatically read once every two seconds. Disable this feature by unselecting the **Active Read: Battery** checkbox located on the **Timer** panel. Change the refresh time by entering a new value into the **Timer Interval** edit box and select the **Set Interval** button. When **Auto Re-Write** is disabled, read the battery by selecting the **Refresh** button.

__Detailed Description of Hardware

The MAX1535D includes all the functions necessary to charge a smart battery. The EV kit is capable of charging with a maximum current of 8.064A and a maximum voltage of 19.2V. For more information on the operation of the MAX1535D, refer to the *Detailed Description* section of the MAX1535D data sheet.

Connecting a Smart Battery

The MAX1535D EV kit includes a 5-pin smart battery connector. To connect a smart battery to the EV kit, turn off power to the EV kit and connect the battery, making sure to correctly orient the connectors.

Evaluating the MAX1535D Above 25V

To evaluate the MAX1535D with an input voltage greater than 25V (up to 28V), capacitors C1, C2, C13, and C14 must be replaced with higher voltage-rating parts. Any capacitors that were installed in locations C11, C12, C19, and C20 must also meet the higher voltage rating.

MAX1535D Evaluation Kit/ Evaluation System

Evaluate: MAX1535D

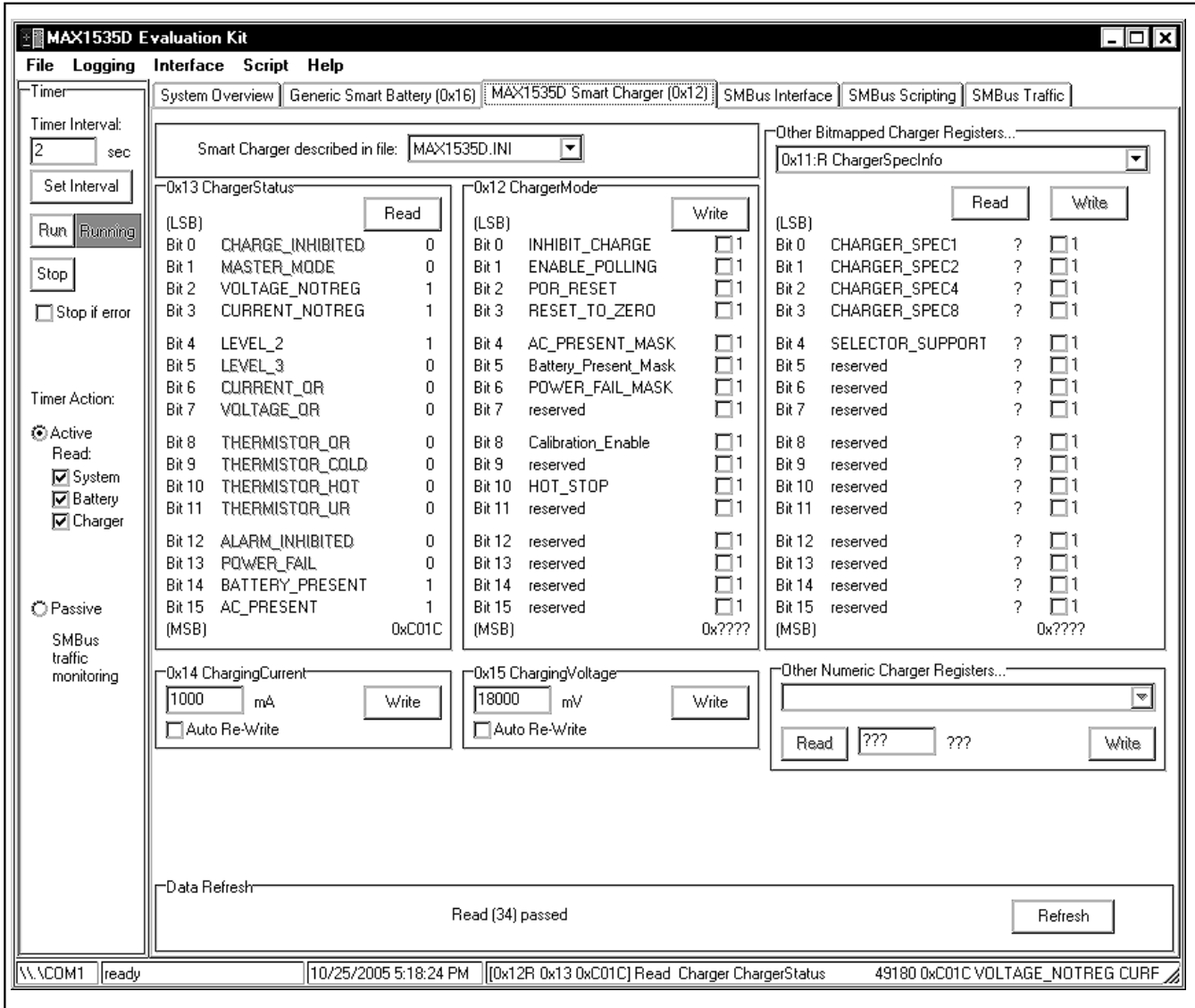


Figure 1. MAX1535D Smart-Charger Command Panel

MAX1535D Evaluation Kit/ Evaluation System

Evaluate: MAX1535D

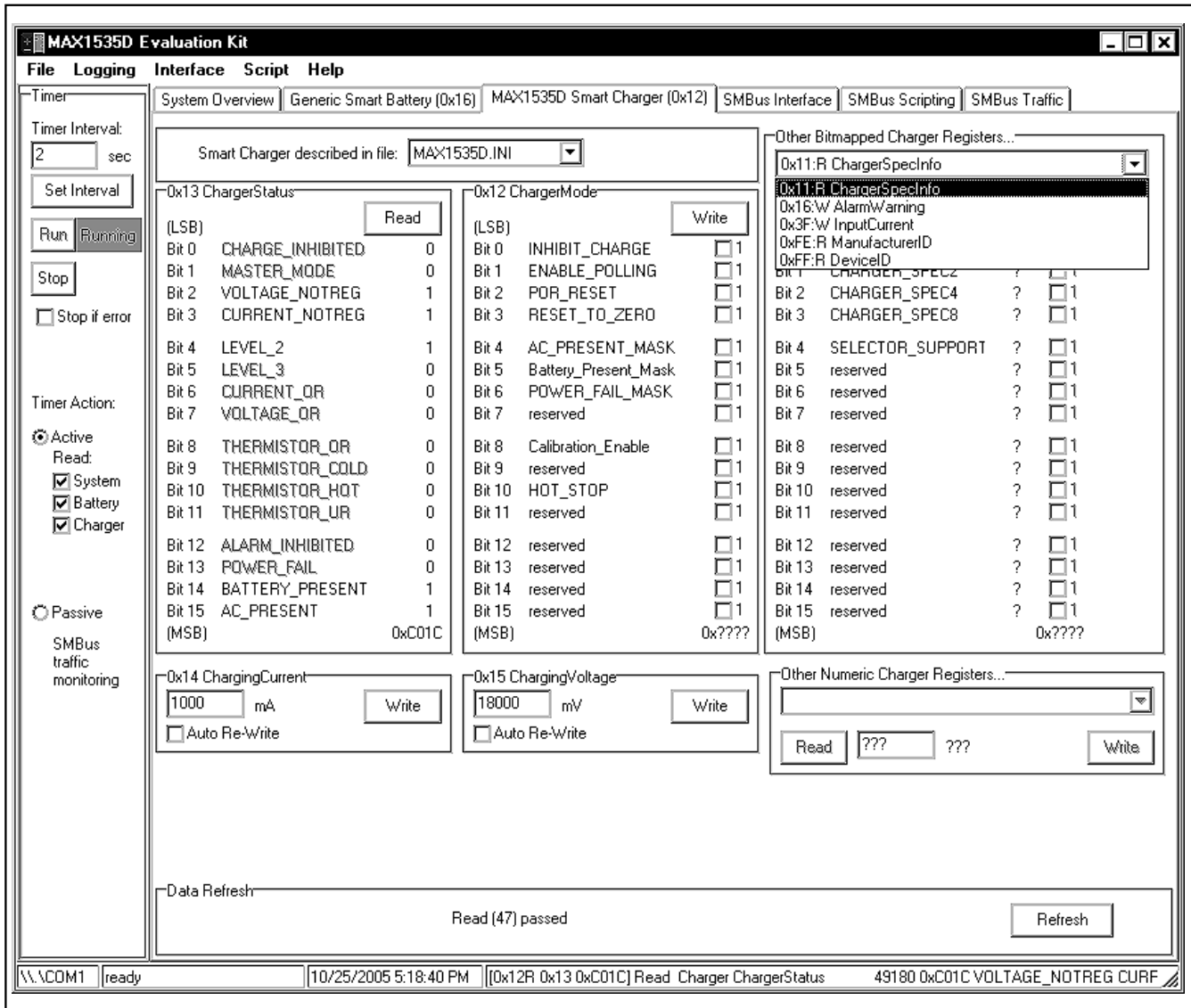


Figure 2. MAX1535D Smart-Charger Command Panel Showing the Pull-down List for Charger Spec Info, Alarm Warning, Input Current, Manufacturer ID, and Device ID

MAX1535D Evaluation Kit/ Evaluation System

Evaluate: MAX1535D

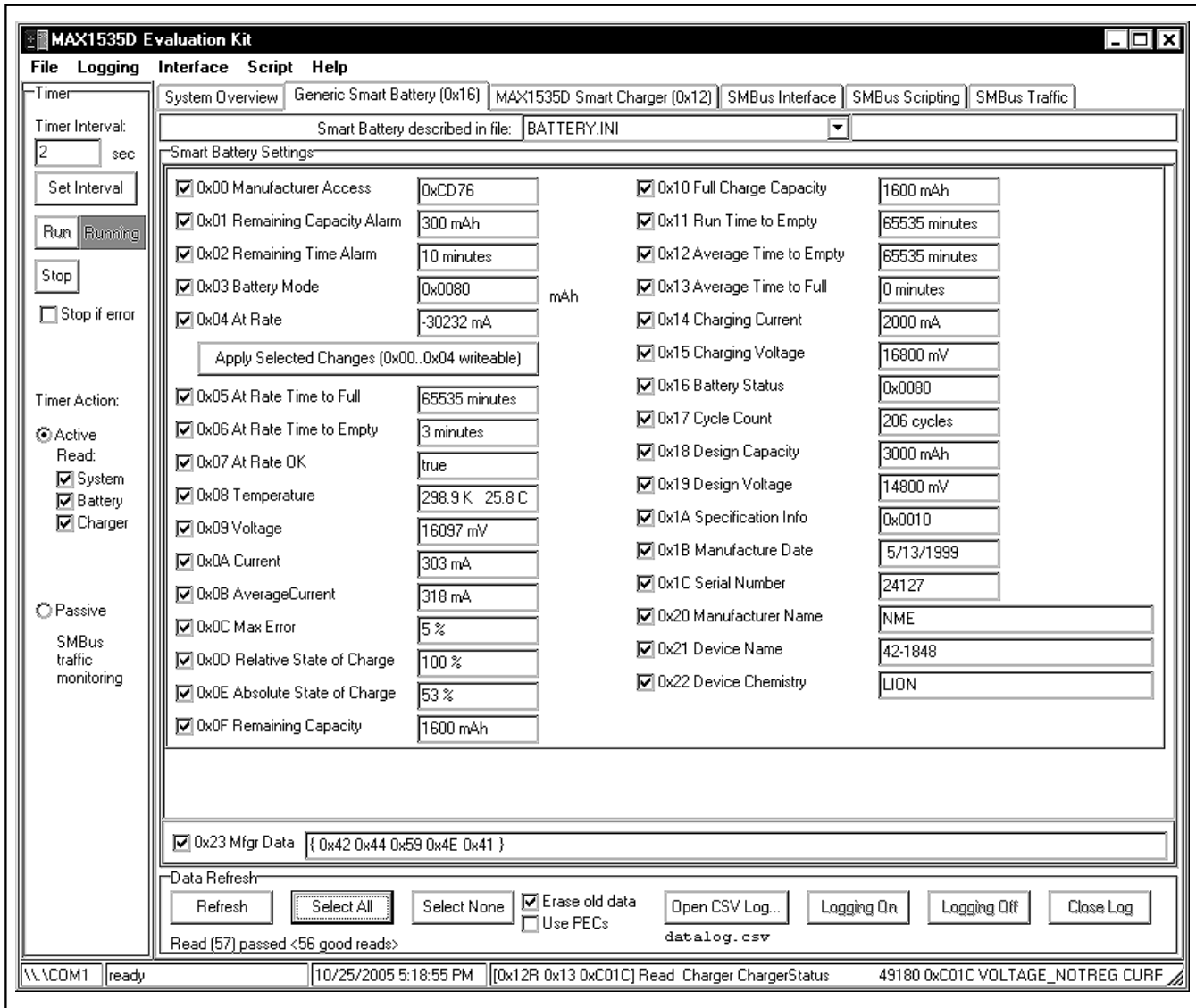


Figure 3. Smart-Battery Command Panel

MAX1535D Evaluation Kit/ Evaluation System

Evaluate: MAX1535D

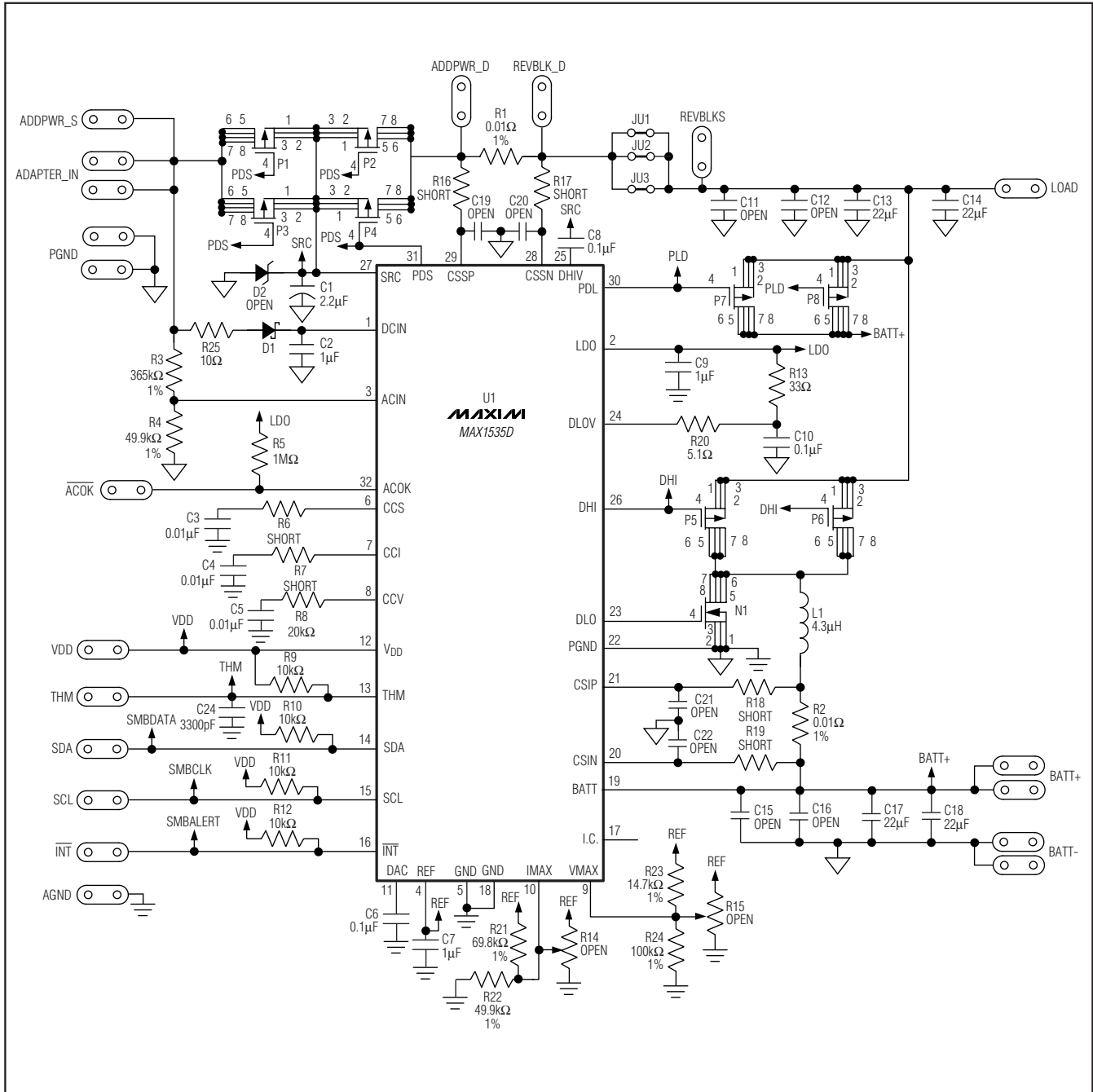


Figure 4. MAX1535D EV Kit Schematic

MAX1535D Evaluation Kit/ Evaluation System

Evaluate: MAX1535D

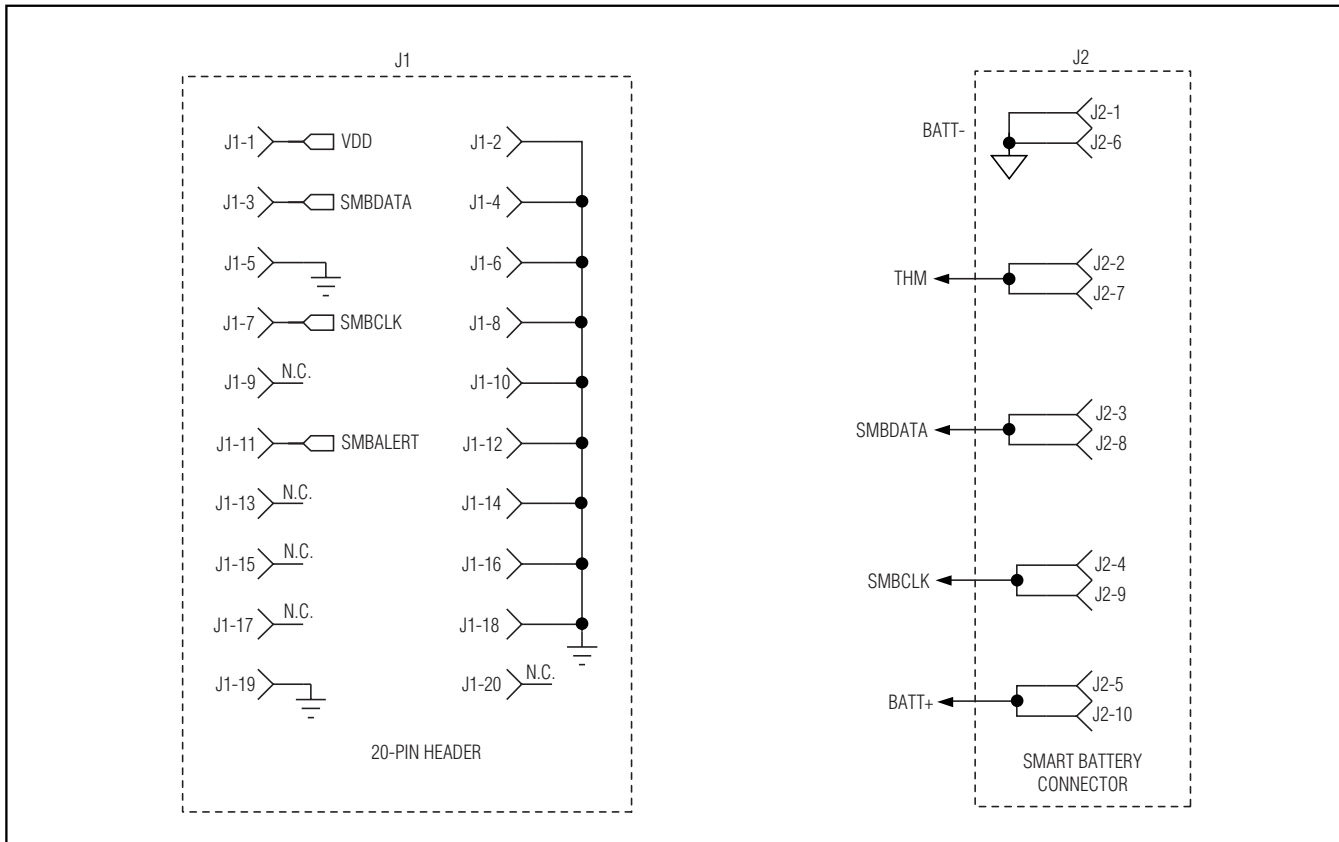


Figure 5. MAX1535D EV Kit Schematic—Smart Battery Connector

MAX1535D Evaluation Kit/ Evaluation System

Evaluate: MAX1535D

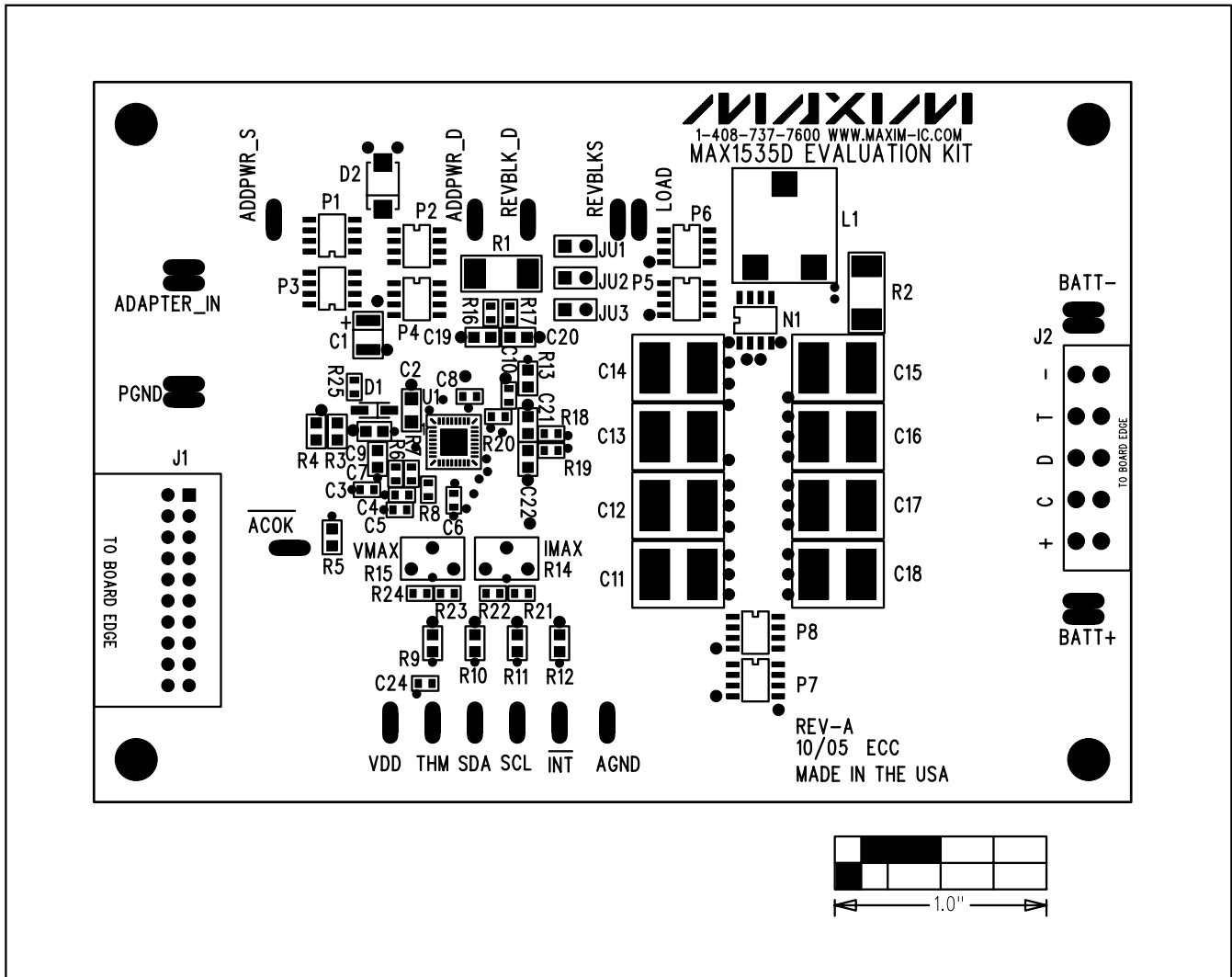


Figure 6. MAX1535D EV Kit Component Placement Guide—Component Side

MAX1535D Evaluation Kit/ Evaluation System

Evaluate: MAX1535D

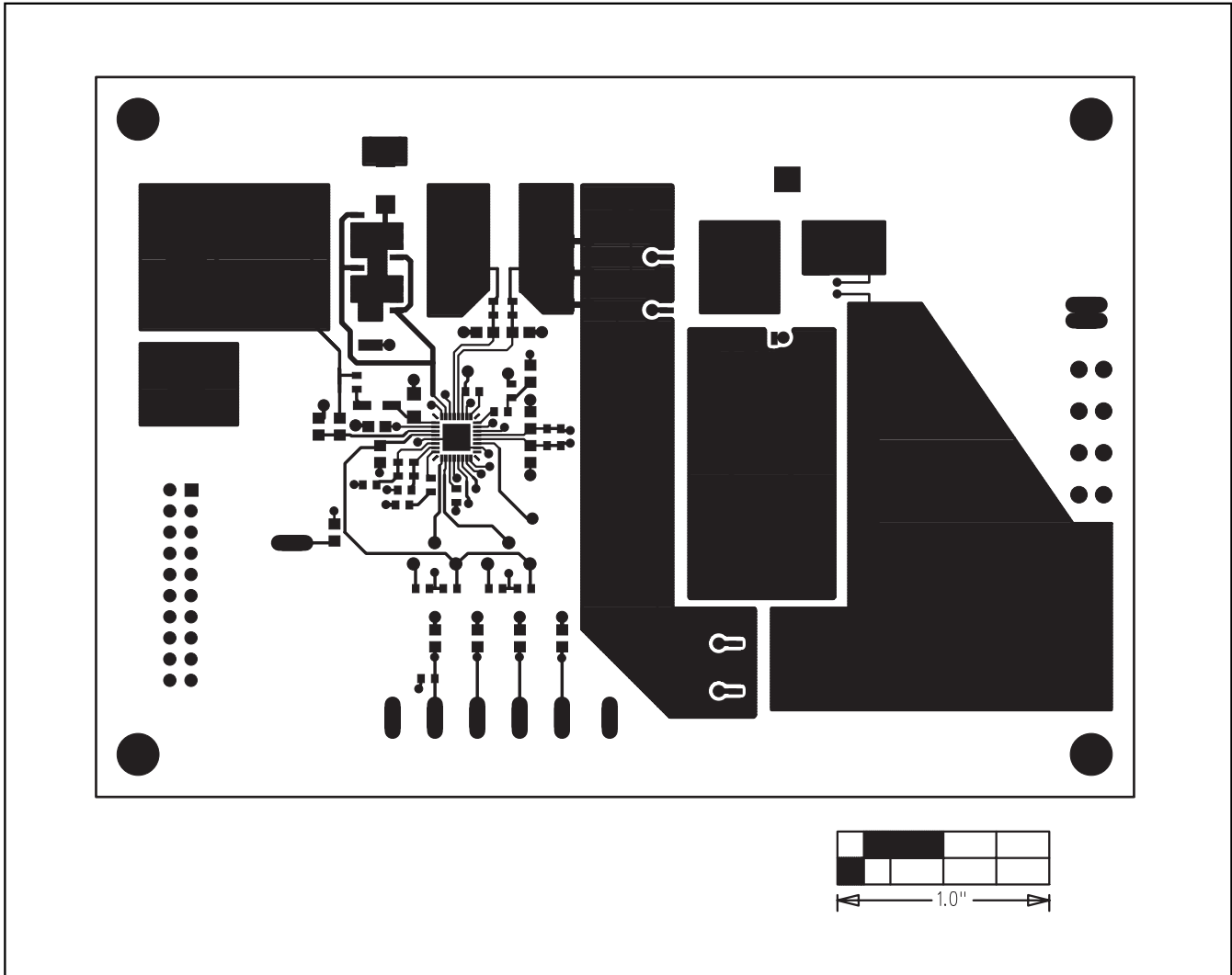


Figure 7. MAX1535D EV Kit PC Board Layout—Component Side

MAX1535D Evaluation Kit/ Evaluation System

Evaluate: MAX1535D

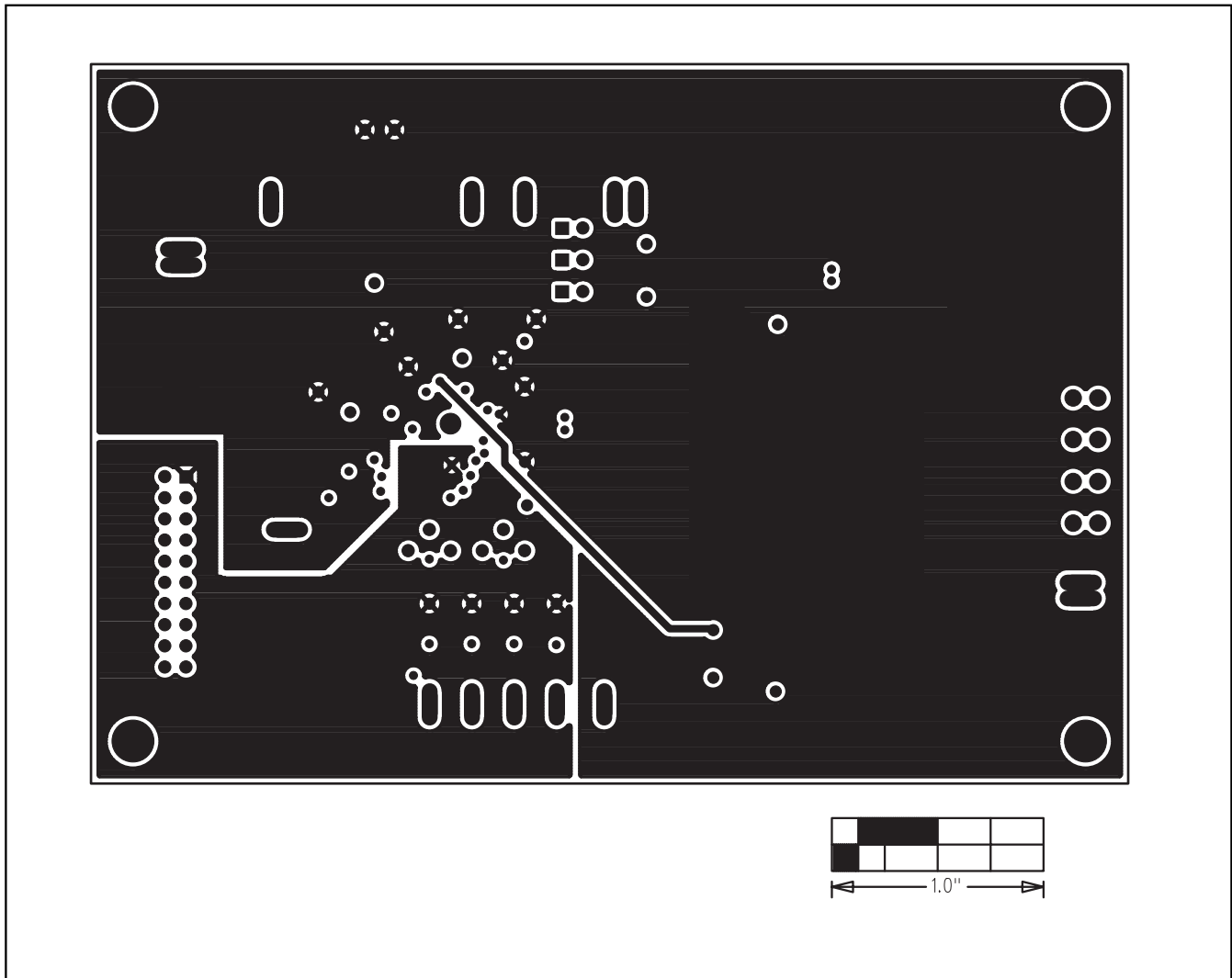


Figure 8. MAX1535D EV Kit PC Board Layout—VDD and Power Ground Plane

MAX1535D Evaluation Kit/ Evaluation System

Evaluate: MAX1535D

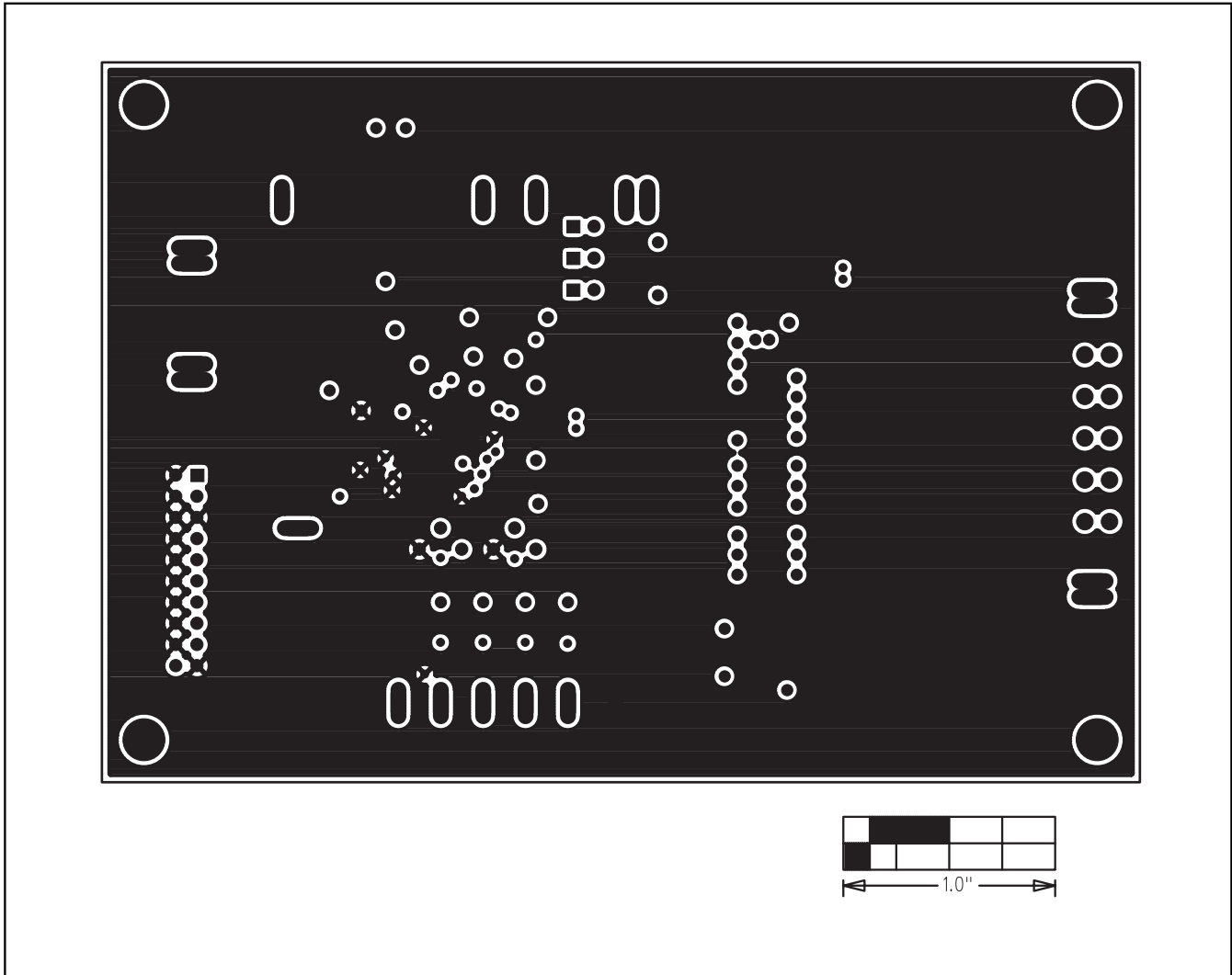


Figure 9. MAX1535D EV Kit PC Board Layout—Ground Plane

MAX1535D Evaluation Kit/ Evaluation System

Evaluate: MAX1535D

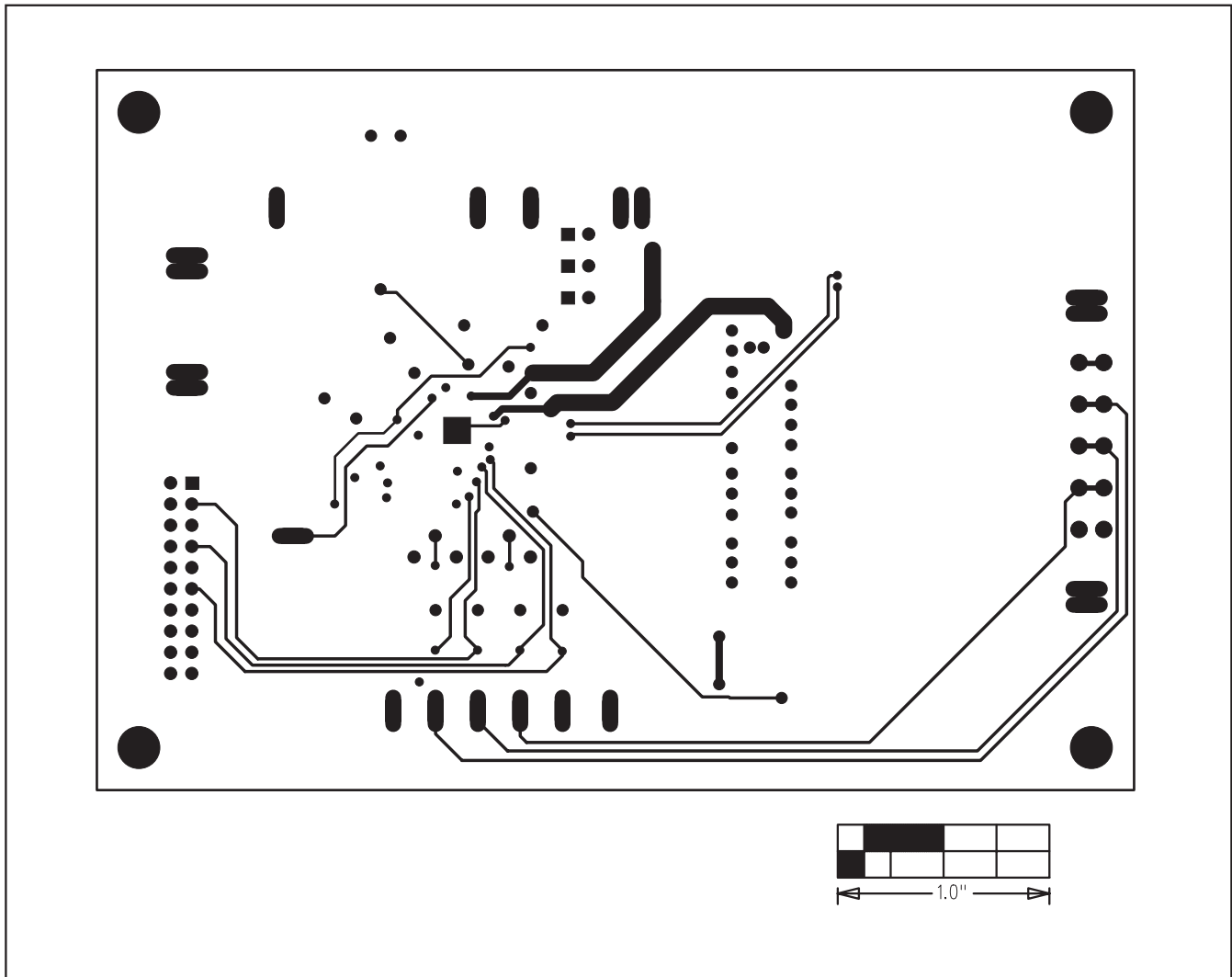


Figure 10. MAX1535D EV Kit PC Board Layout—Solder Side

Maxim cannot assume responsibility for use of any circuitry other than circuitry entirely embodied in a Maxim product. No circuit patent licenses are implied. Maxim reserves the right to change the circuitry and specifications without notice at any time.

14 **Maxim Integrated Products, 120 San Gabriel Drive, Sunnyvale, CA 94086 408-737-7600**

© 2006 Maxim Integrated Products

Printed USA

MAXIM is a registered trademark of Maxim Integrated Products, Inc.

www.BDTIC.com/maxim