

INTRODUCTION:

Adam Tech Right Angle PCB mount .318" footprint D-Sub connectors are a popular interface for many I/O applications. Offered in 9, 15, 25 and 37 positions they are a good choice for a low cost industry standard connection. These connectors are manufactured with precision stamped contacts offering a choice of contact plating and a wide selection of mating and mounting options.

FEATURES:

- Industry standard compatibility
- Durable metal shell design
- Precision formed contacts
- Variety of Mating and mounting options

MATING CONNECTORS:

Adam Tech D-Subminiatures and all industry standard D-Subminiature connectors.

SPECIFICATIONS:

Material:

- Standard insulator: PBT, 30% glass reinforced, rated UL94V-0
- Optional Hi-Temp insulator: Nylon 6T
- Insulator color: Black
- Contacts: Phosphor Bronze
- Shell: Steel, Tin or Zinc plated
- Hardware: Brass, Nickel plated

Contact Plating:

Gold flash (15 and 30 μ in optional) over Nickel underplate on mating area. Tin over copper underplate on PCB tails.

Electrical:

- Operating voltage: 250V AC / DC max.
- Current rating: 5 Amps max.
- Contact resistance: 20 m Ω max. initial
- Insulation resistance: 5000 M Ω min.
- Dielectric withstanding voltage: 1000V AC for 1 minute

Mechanical:

- Insertion force: 0.75 lbs max
- Extraction force: 0.44 lbs min

Temperature Rating:

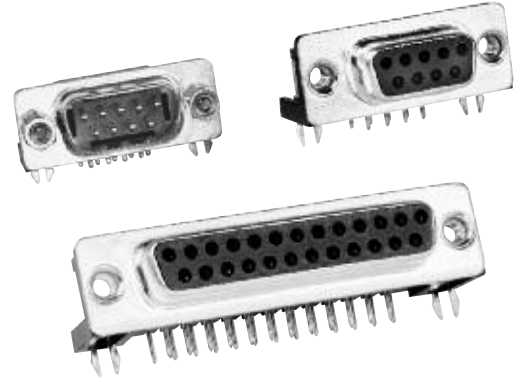
- Operating temperature: -55°C to +105°C
- Soldering process temperature:
 - Standard insulator: 235°C
 - Hi-Temp insulator: 260°C

PACKAGING:

Anti-ESD plastic trays

APPROVALS AND CERTIFICATIONS:

UL Recognized & CSA Certified, File no. E224053



ORDERING INFORMATION



**SHELL SIZE/
POSITIONS**

- DE09 = 9 Position
- DA15 = 15 Position
- DB25 = 25 Position
- DC37 = 37 Position

CONTACT TYPE

- PL = Plug, .318" Footprint
- SL = Socket, .318" Footprint

**MATING FACE
MOUNTING OPTIONS**

- 3 = #4-40 fixed jackscrews
- 4 = #4-40 flush threaded inserts
- 5 = #4-40 flush threaded inserts with removable jackscrews installed
- 6 = .120" non-threaded mounting holes

* See Mounting Option diagrams pg. 77

PCB MOUNTING OPTIONS

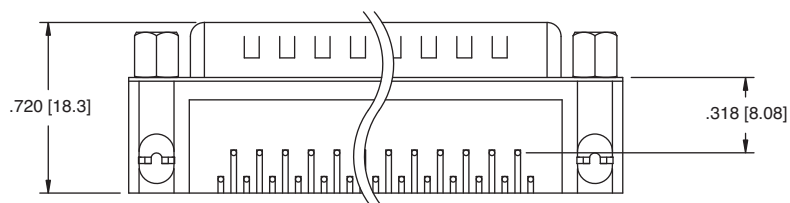
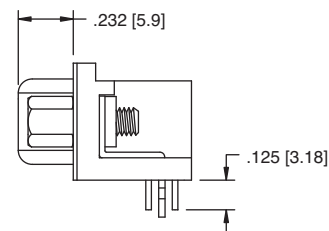
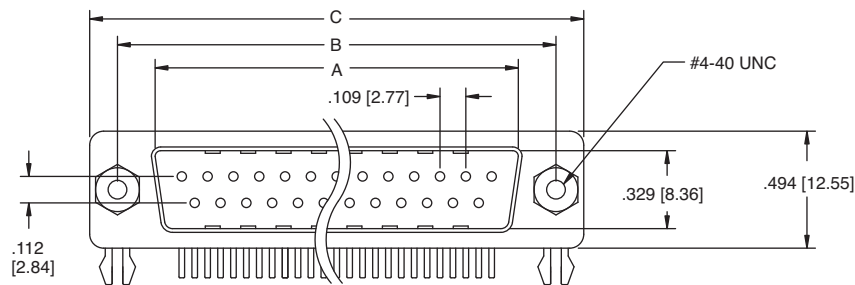
- 1 = Wrap around ground straps with thru holes
- 2 = Forked board locks
- 3 = Top side only ground straps with thru holes
- 4 = Top side only ground straps with #4-40 threaded screw holes

* See Mounting Option diagrams pg. 77

OPTIONS:

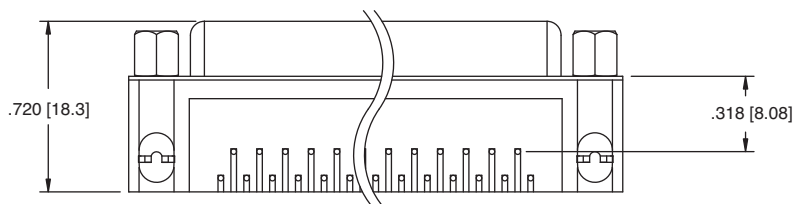
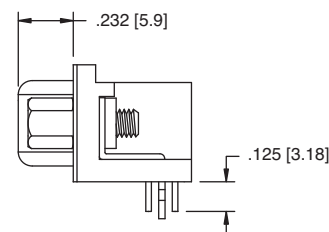
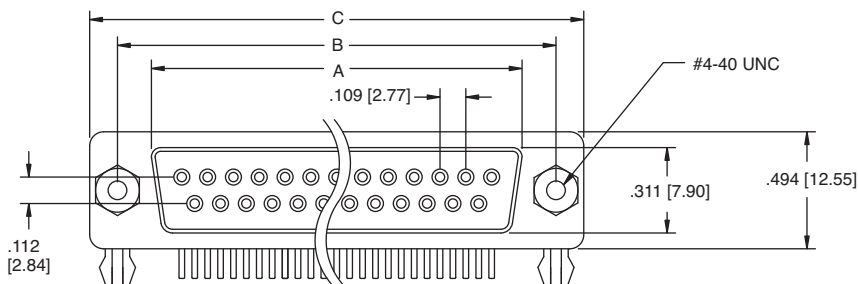
- Add designator(s) to end of part number
 - 15 = 15 μ in gold plating in contact area
 - 30 = 30 μ in gold plating in contact area
- EMI = Ferrite filtered version for EMI/RFI suppression
- LPJ = Loose packed jackscrews
 - F = Superior retention 4 prong boardlocks
- HT = Hi-Temp insulator for Hi-Temp soldering processes up to 260°C
- R = Round jackscrews
- PF = Press fit pins

PLUG

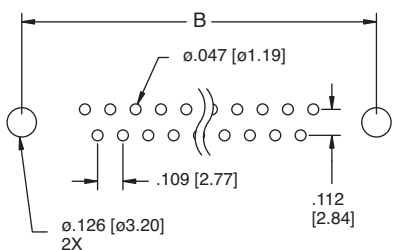


DB25-PL-25

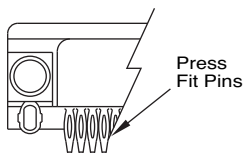
SOCKET



DB25-SL-24



Recommended PCB Layout



Press Fit Option

Unit: Inch [mm]

Pos.	PLUG	SOCKET	DIMENSIONS	
	A	A	B	C
9	.666 [16.92]	.643 [16.33]	.984 [24.99]	1.213 [30.81]
15	.994 [25.25]	.971 [24.66]	1.312 [33.32]	1.541 [39.14]
25	1.534 [38.96]	1.511 [38.38]	1.852 [47.04]	2.088 [53.04]
37	2.182 [55.43]	2.159 [54.84]	2.500 [63.50]	2.729 [69.32]

MATING FACE & PCB MOUNTING OPTIONS

<p>OPTION 13</p> <p>ø.126 Thru Hole</p> <p>#4-40 Fixed Jackscrew</p> <p>Wrap Around Ground Strap</p>	<p>OPTION 14</p> <p>ø.126 Thru Hole</p> <p>#4-40 Threaded Insert</p> <p>Wrap Around Ground Strap</p>	<p>OPTION 15</p> <p>ø.126 Thru Hole</p> <p>#4-40 Threaded Insert with Removable Jackscrew</p> <p>Wrap Around Ground Strap</p>
<p>OPTION 16</p> <p>ø.120 Thru Hole</p> <p>Wrap Around Ground Strap</p>	<p>OPTION 23</p> <p>FORKED BOARD LOCK</p> <p>#4-40 Fixed Jackscrew</p> <p><i>* Standard Stocked Item</i></p>	<p>OPTION 23-R OPTION 27</p> <p>#4-40 Riveted Round Jackscrew (Shown) #4-40 Rivited Hex Jackscrew (Not Shown)</p> <p>FORKED BOARD LOCK</p> <p>#4-40 Rivited Round Jackscrew</p>
<p>OPTION 24</p> <p>FORKED BOARD LOCK</p> <p>#4-40 Threaded Insert</p> <p><i>* Standard Stocked Item</i></p>	<p>OPTION 24-F</p> <p>4 PRONG BOARD LOCK</p> <p>#4-40 Threaded Insert</p>	<p>OPTION 25</p> <p>FORKED BOARD LOCK</p> <p>Removable Jackscrew</p> <p>#4-40 Threaded Insert</p> <p><i>* Standard Stocked Item</i></p>
<p>OPTION 26</p> <p>FORKED BOARD LOCKS</p> <p>ø.120 Thru Hole</p>	<p>OPTION 33</p> <p>ø.126 Thru Hole</p> <p>#4-40 Fixed Jackscrew</p> <p>Top Side Ground Strap</p>	<p>OPTION 34</p> <p>ø.126 Thru Hole</p> <p>#4-40 Threaded Insert</p> <p>Top Side Ground Strap</p>
<p>OPTION 35</p> <p>ø.126 Thru Hole</p> <p>#4-40 Threaded Insert with Removable Jackscrew</p> <p>Top Side Ground Strap</p>	<p>OPTION 36</p> <p>ø.120 Thru Hole</p> <p>#4-40 Threaded Insert</p> <p>Top Side Ground Strap</p>	<p>OPTION 43</p> <p>#4-40 Threaded Hole</p> <p>#4-40 Fixed Jackscrew</p> <p>Top Side Ground Strap</p>
<p>OPTION 44</p> <p>#4-40 Threaded Hole</p> <p>#4-40 Threaded Insert</p> <p>Top Side Ground Strap</p>	<p>OPTION 45</p> <p>#4-40 Threaded Hole</p> <p>#4-40 Threaded Insert with Removable Jackscrew</p> <p>Top Side Ground Strap</p>	<p>OPTION 46</p> <p>#4-40 Threaded Hole</p> <p>ø.120 Thru Hole</p> <p>Top Side Ground Strap</p>

INTRODUCTION:

Adam Tech Right Angle PCB mount .590" footprint D-Sub connectors are a popular interface for many I/O applications. Offered in 9, 15, 25 and 37 positions they are an excellent choice for a low cost industry standard connection. They are available with full or half size PCB side mounting flanges. Adam Tech connectors are manufactured with precision stamped contacts offering a choice of contact plating and a wide selection of mating and mounting options.

FEATURES:

- Half or Full flange options
- Industry standard compatibility
- Durable metal shell design
- Precision formed contacts
- Variety of Mating and mounting options

MATING CONNECTORS:

Adam Tech D-Subminiatures and all industry standard D-Subminiature connectors.

SPECIFICATIONS:

Material:

- Standard insulator: PBT, 30% glass reinforced, rated UL94V-0
- Optional Hi-Temp insulator: Nylon 6T
- Insulator Color: Black
- Contacts: Phosphor Bronze
- Shell: Steel, Tin or Zinc plated
- Hardware: Brass, Nickel plated

Contact Plating:

Gold flash (15 and 30 μ in optional) over Nickel underplate.

Electrical:

- Operating voltage: 250V AC / DC max.
- Current rating: 5 Amps max.
- Contact resistance: 20 m Ω max. Initial
- Insulation resistance: 5000 M Ω min.
- Dielectric withstanding voltage: 1000V AC for 1 minute

Mechanical:

- Insertion force: 0.75 lbs max
- Extraction force: 0.44 lbs min

Temperature Rating:

- Operating temperature: -55°C to +105°C
- Soldering process temperature:
 - Standard insulator: 235°C
 - Hi-Temp insulator: 260°C

PACKAGING:

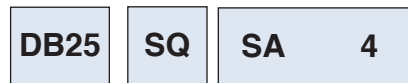
Anti-ESD plastic trays

APPROVALS AND CERTIFICATIONS:

UL Recognized & CSA Certified, File no. E224053



ORDERING INFORMATION



SHELL SIZE/ POSITIONS

- DE09 = 9 Position
- DA15 = 15 Position
- DB25 = 25 Position
- DC37 = 37 Position

CONTACT TYPE

- PQ = Plug, .590" Footprint
- SQ = Socket, .590" Footprint

MATING FACE MOUNTING OPTIONS

- 3 = #4-40 fixed jack screws
- 4 = #4-40 flush threaded inserts
- 5 = #4-40 flush threaded inserts with removable jack screws installed
- 6 = .120" non-threaded mounting holes

* See Mounting Option diagrams page 80

PCB MOUNTING OPTIONS

SA = Wrap around ground straps with thru holes on half flange

SB = Wrap around ground straps with thru holes on full flange

SC = Top side only ground straps with thru holes on half flange

SD = Top side only ground straps with thru holes on full flange

F = Forked boardlocks on half flange

R = Forked boardlocks on full flange

* See Mounting Option diagrams page 80

OPTIONS:

Add designator(s) to end of part number

15 = 15 μ in gold plating in contact area

30 = 30 μ in gold plating in contact area

EMI = Ferrite filtered version for EMI/RFI suppression

LPJ = Loose packed jackscrews

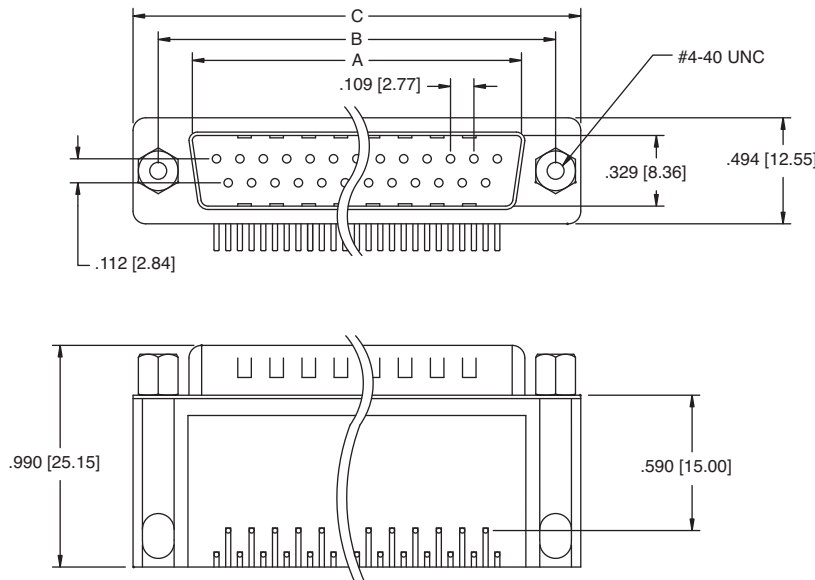
F = Superior retention 4 prong boardlocks

HT = Hi-Temp insulator for Hi-Temp soldering processes up to 260°C

R = Round jackscrews

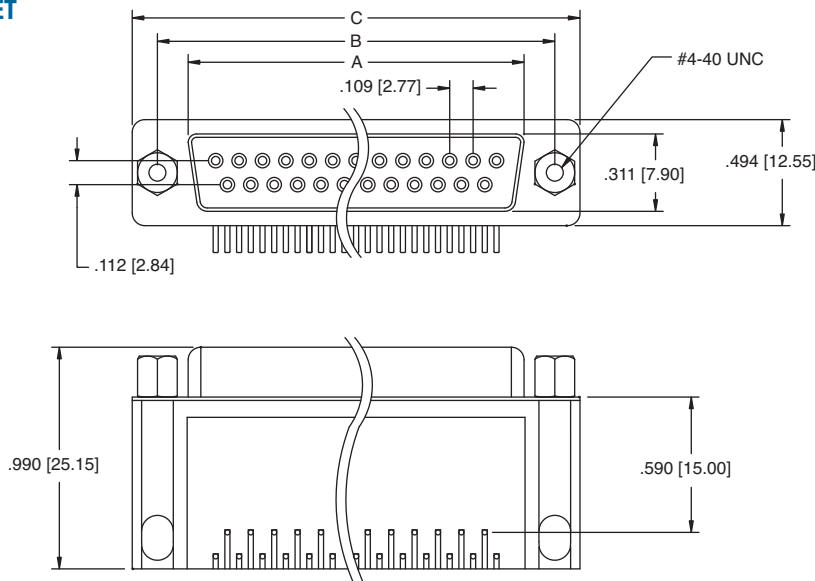
PLUG

See pg. 80 for Mounting Options



DB25-PQ-SB4

SOCKET

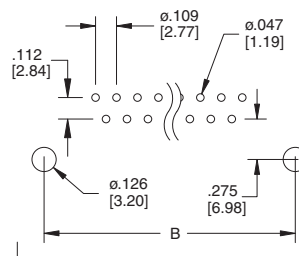


DB25-SQ-R5

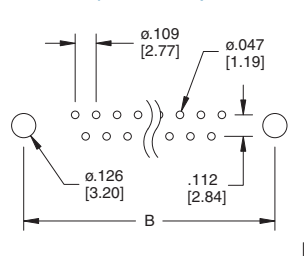
Unit: Inch [mm]

Pos.	PLUG	SOCKET	DIMENSIONS	
	A	A	B	C
9	.666 [16.92]	.643 [16.33]	.984 [24.99]	1.213 [30.81]
15	.994 [25.25]	.971 [24.66]	1.312 [33.32]	1.541 [39.14]
25	1.534 [38.96]	1.511 [38.38]	1.852 [47.04]	2.088 [53.04]
37	2.182 [55.43]	2.159 [54.84]	2.500 [63.50]	2.729 [69.32]

Half Flange PCB Layout for PCB mounting options (SA, SC, F)



Full Flange PCB Layout for PCB mounting options (SB, SD, R)



PCB Edge

MATING FACE & PCB MOUNTING OPTIONS

<p>OPTION SA3</p> <p>#4-40 Fixed Jackscrew Wrap Around Ground Strap on Half Flange</p>	<p>OPTION SA4</p> <p>#4-40 Threaded Insert Wrap Around Ground Strap on Half Flange</p>	<p>OPTION SA5</p> <p>#4-40 Threaded Insert with Removable Jackscrew Wrap Around Ground Strap on Half Flange</p>
<p>OPTION SA6</p> <p>#4-40 Fixed Jackscrew Wrap Around Ground Strap on Half Flange</p>	<p>OPTION SB3</p> <p>#4-40 Fixed Jackscrew Wrap Around Ground Strap on Full Flange</p>	<p>OPTION SB4</p> <p>#4-40 Threaded Insert Wrap Around Ground Strap on Full Flange</p>
<p>OPTION SB5</p> <p>#4-40 Threaded Insert with Removable Jackscrew Wrap Around Ground Strap on Full Flange</p>	<p>OPTION SB6</p> <p>#4-40 Threaded Insert with Removable Jackscrew Top Side Ground Strap, Half Flange</p>	<p>OPTION SC3</p> <p>#4-40 Fixed Jackscrew Top Side Ground Strap, Half Flange</p>
<p>OPTION SC4</p> <p>#4-40 Threaded Insert Top Side Ground Strap, Half Flange</p>	<p>OPTION SC5</p> <p>#4-40 Threaded Insert with Removable Jackscrew Top Side Ground Strap, Half Flange</p>	<p>OPTION SC6</p> <p>#4-40 Threaded Insert with Removable Jackscrew Top Side Ground Strap, Half Flange</p>
<p>OPTION SD3</p> <p>#4-40 Fixed Jackscrew Top Side Ground Strap, Full Flange</p>	<p>OPTION SD4</p> <p>#4-40 Threaded Insert Top Side Ground Strap, Full Flange</p>	<p>OPTION SD5</p> <p>#4-40 Threaded Insert with Removable Jackscrew Top Side Ground Strap, Full Flange</p>
<p>OPTION SD6</p> <p>#4-40 Threaded Insert with Removable Jackscrew Top Side Ground Strap, Full Flange</p>	<p>OPTION F3</p> <p>#4-40 Fixed Jackscrew Forked Board Lock Half Flange</p>	<p>OPTION F4</p> <p>#4-40 Threaded Insert Forked Board Lock Half Flange</p>
<p>OPTION F5</p> <p>#4-40 Threaded Insert with Removable Jackscrew Forked Board Lock Half Flange</p>	<p>OPTION F6</p> <p>#4-40 Threaded Insert with Removable Jackscrew Forked Board Lock Half Flange</p>	<p>OPTION R3</p> <p>#4-40 Fixed Jackscrew Forked Board Lock Full Flange</p>
<p>OPTION R4</p> <p>#4-40 Threaded Insert Forked Board Lock Full Flange</p>	<p>OPTION R5</p> <p>#4-40 Threaded Insert with Removable Jackscrew Forked Board Lock Full Flange</p>	<p>OPTION R6</p> <p>#4-40 Threaded Insert with Removable Jackscrew Forked Board Lock Full Flange</p>

INTRODUCTION:

Adam Tech Combination Signal/Coax D-Sub connectors are a popular interface for many mixed signal I/O applications. Offered in five shell sizes they are a good choice for a low cost industry standard connection that requires utilization of standard signal and high performance, low impedance signals either in signal-coax or signal - power choices. Adam Tech connectors are manufactured with precision stamped standard signal contacts and precision turned coax contacts. These connectors are manufactured with precision stamped contacts offering a choice of contact plating and a wide selection of mating and mounting options.

Electrical:

Operating voltage: 250V AC / DC max.
Signal Current rating: 5 Amps max.
High Power contact current rating: 20 or 40 Amps.
Coaxial Impedance: 50Ω (75Ω optional)
Contact resistance: 20 mΩ max. initial
Insulation resistance: 5000 MΩ min.
Dielectric withstanding voltage: 1000V AC for 1 minute

APPROVALS AND CERTIFICATIONS:

UL Recognized & CSA Certified, File no. E224053



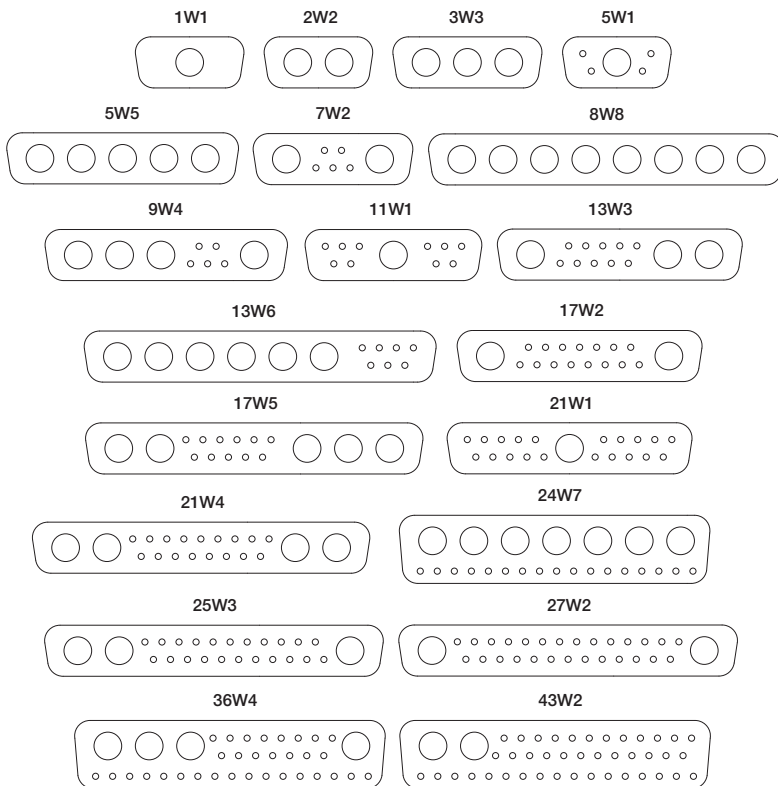
ORDERING INFORMATION



SHELL CONFIGURATIONS
D1W1, D2W2, D3W3, D5W1, D5W5, D7W2, D8W8, D9W4N, D11W1, D13W3, D13W6, D17W2, D17W5, D21W1, D21W4, D24W7, D25W3, D27W2, D36W4, D43W2

CURRENT RATING
SIGNAL - COAX
1 = 50 Ohm
2 = 75 Ohm
SIGNAL - POWER
3 = 10 Amps
4 = 20 Amps
5 = 30 Amps
6 = 40 Amps
7 = 50 Amps

SHELL CONFIGURATIONS



TYPE

SIGNAL-COAX

PT= Plug, Straight PCB
ST= Socket, Straight PCB
PL= Plug, Right Angle PCB
SL= Socket, Right Angle PCB

PD= Plug, Solder Cup
SD= Socket, Solder Cup
SIGNAL-POWER

PTP= Plug, Straight PCB, Power Contacts
STP= Socket, Straight PCB, Power Contacts
PLP= Plug, Right Angle PCB, Power Contacts
SLP= Socket, Right Angle PCB, Power Contacts
PDP= Plug, Solder Cup Power Contacts
SDP= Socket, Solder Cup Power Contacts

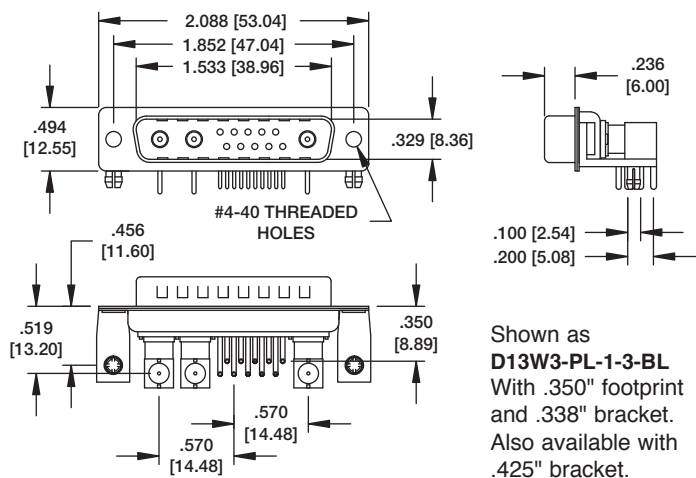
MOUNTING RIGHT ANGLE

- 1 = 120" non-threaded mounting holes, no bracket
- 2 = Short Bracket with #4-40 flush threaded inserts in mounting holes
- 2A = Short Bracket with #4-40 flush threaded inserts in mounting holes Jack Screws installed
- 3 = Long Bracket with #4-40 flush threaded inserts in mounting holes
- 3A = Long Bracket with #4-40 flush threaded inserts in mounting holes Jack Screws installed

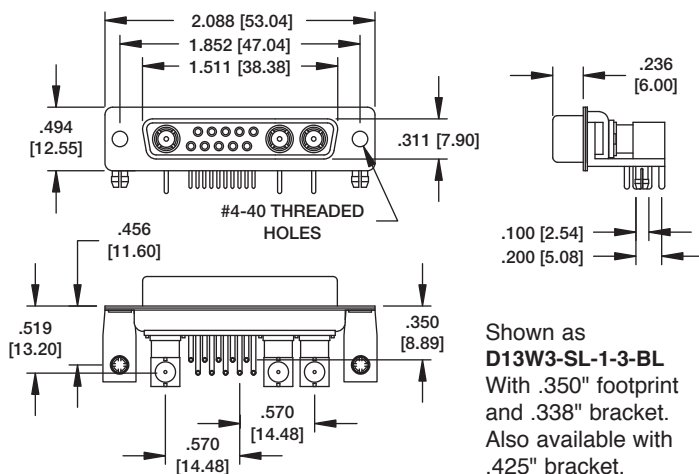
MOUNTING STRAIGHT

- JS= Riveted #4-40 Jack Screws on top of flange
- SL= Riveted #4-40 clinch nuts on bottom of flange
- BL = Riveted Board Locks

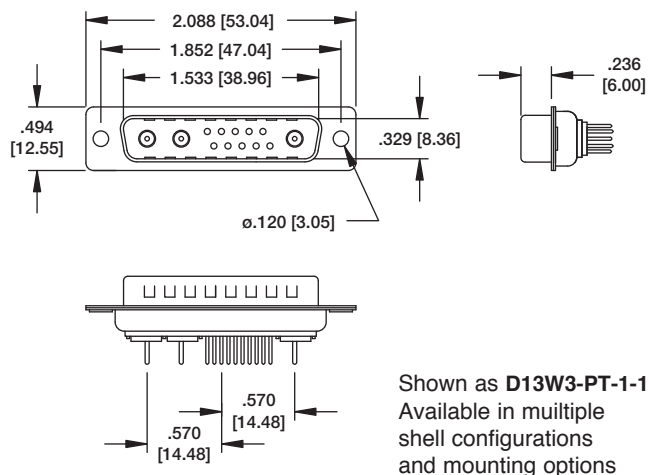
PLUG - RIGHT ANGLE PCB MOUNT SIGNAL-COAX



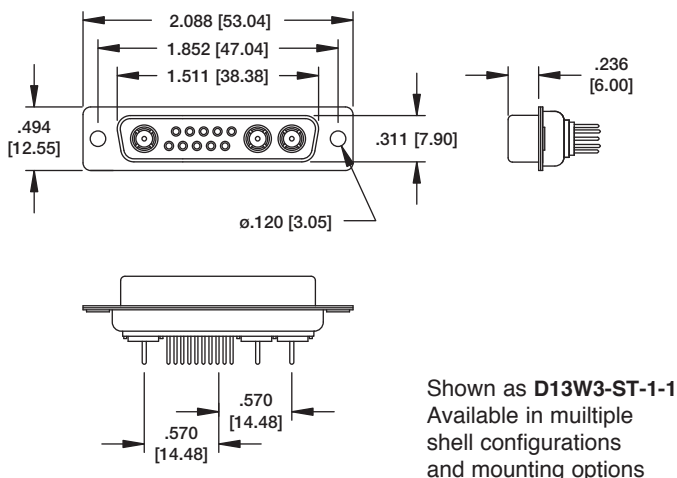
SOCKET - RIGHT ANGLE PCB MOUNT SIGNAL-COAX



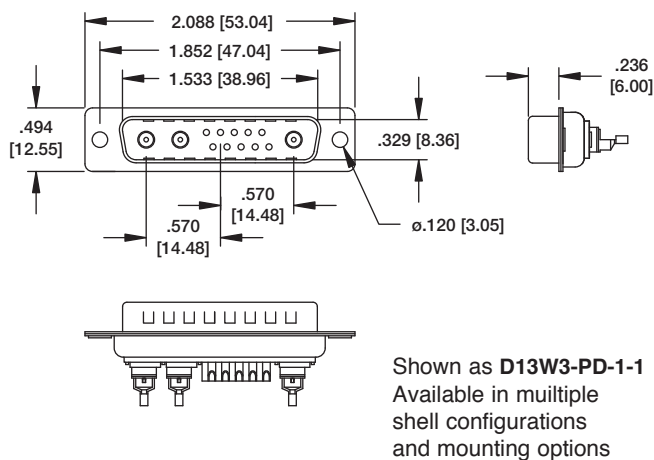
PLUG - STRAIGHT PCB MOUNT SIGNAL-COAX



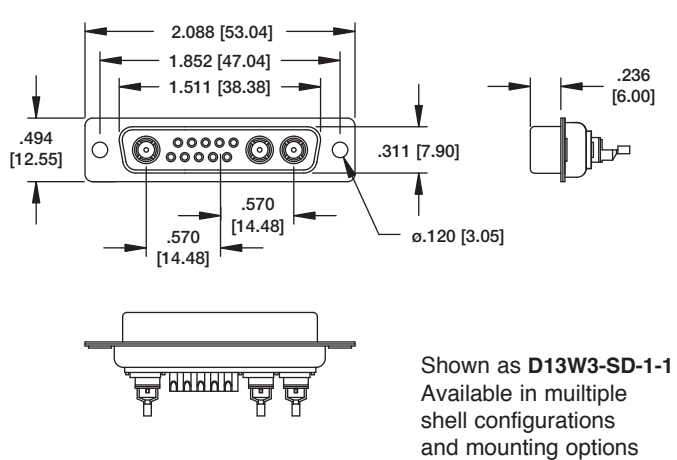
SOCKET - STRAIGHT PCB MOUNT SIGNAL-COAX



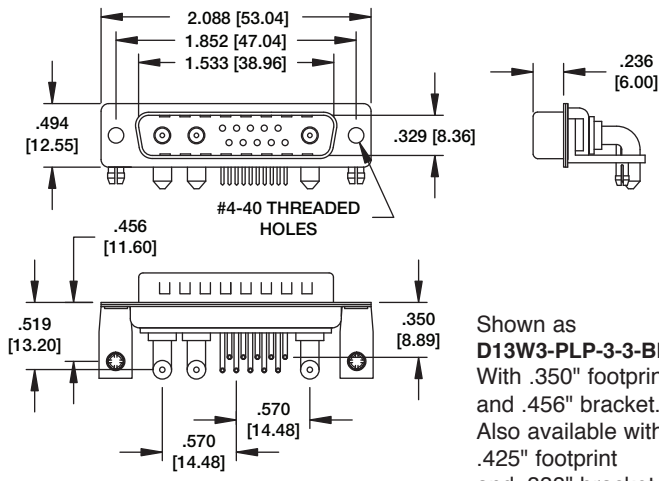
PLUG - STRAIGHT SOLDER CUP SIGNAL-COAX



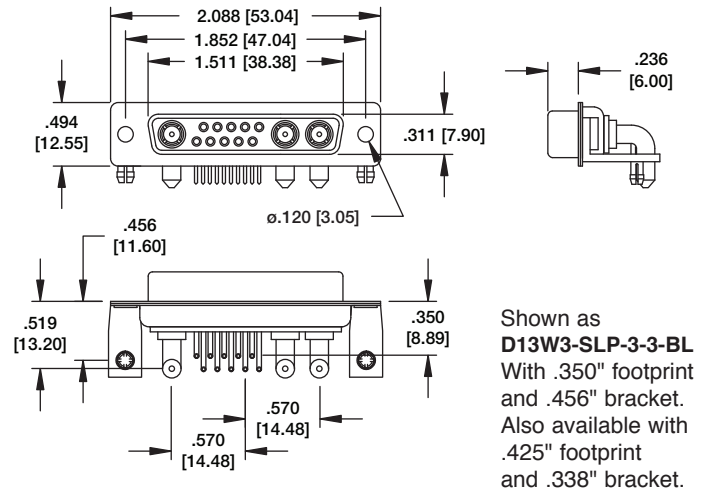
SOCKET - STRAIGHT SOLDER CUP SIGNAL-COAX



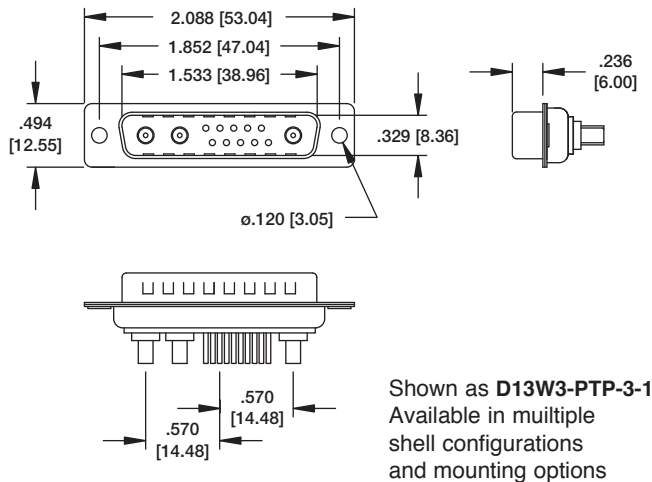
PLUG - RIGHT ANGLE PCB MOUNT SIGNAL-POWER



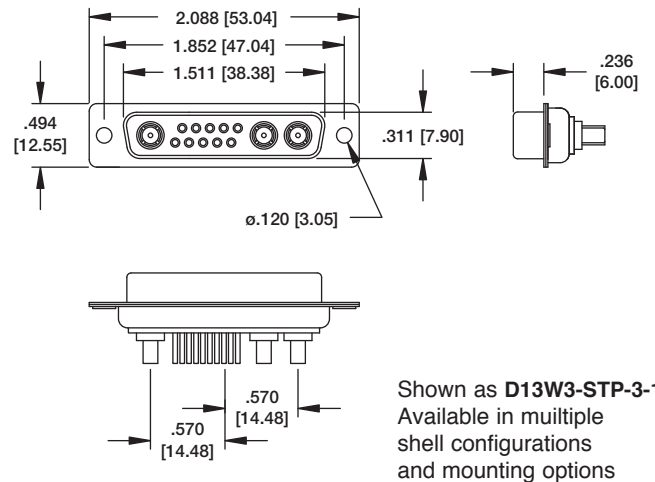
SOCKET - RIGHT ANGLE PCB MOUNT SIGNAL-POWER



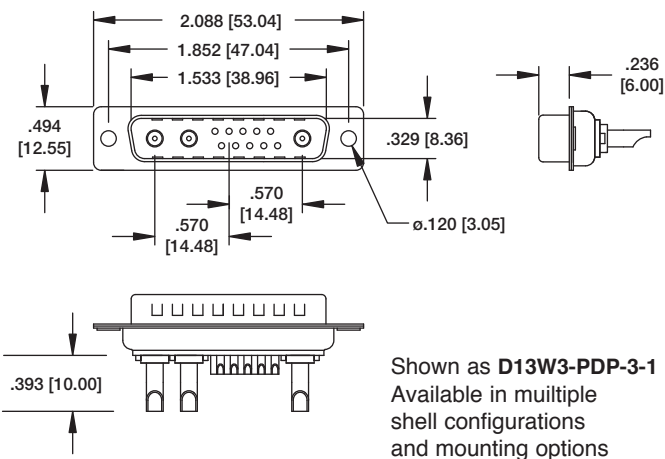
PLUG - STRAIGHT PCB MOUNT SIGNAL-POWER



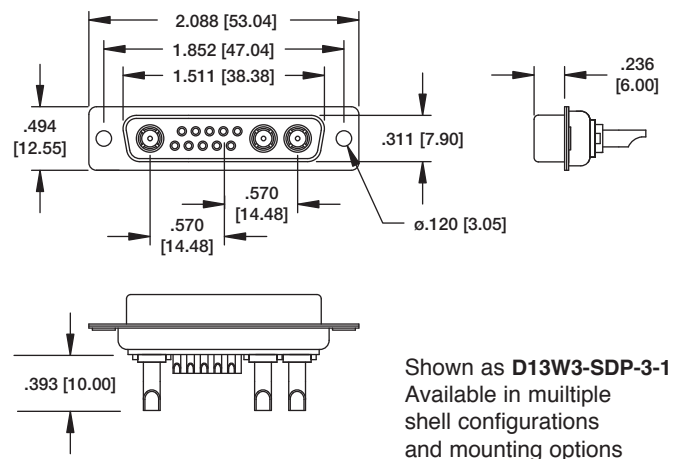
SOCKET - STRAIGHT PCB MOUNT SIGNAL-POWER



PLUG - STRAIGHT SOLDER CUP SIGNAL-POWER



SOCKET - STRAIGHT SOLDER CUP SIGNAL-POWER



INTRODUCTION:

Adam Tech Right Angle Slimline PCB tail D-Sub connectors are a popular interface for many I/O applications. Offered in 9, 15 and 25 positions they are an excellent choice for a low cost industry standard connection and are ideal for low profile design requirements. Adam Tech connectors are manufactured with precision stamped contacts offering a choice of contact plating and a wide selection of mating and mounting options.

FEATURES:

- Short profile space saving design
- Industry standard compatibility
- Durable metal shell design
- Precision formed contacts
- Variety of Mating and mounting options

MATING CONNECTORS:

Adam Tech D-Subminiatures and all industry standard D-Subminiature connectors.

SPECIFICATIONS:

Material:

Standard insulator: PBT, 30% glass reinforced, rated UL94V-0
Optional Hi-Temp insulator: Nylon 6T
Insulator Color: Black
Contacts: Phosphor Bronze
Shell: Steel, Tin or Zinc plated
Hardware: Brass, Nickel plated

Contact Plating:

Gold flash (15 and 30 μ in optional) over Nickel underplate overall.

Electrical:

Operating voltage: 250V AC / DC max.
Current rating: 5 Amps max.
Contact resistance: 20 m Ω max. initial
Insulation resistance: 5000 M Ω min.
Dielectric withstanding voltage: 1000V AC for 1 minute

Mechanical:

Insertion force: 0.75 lbs max
Extraction force: 0.44 lbs min

Temperature Rating:

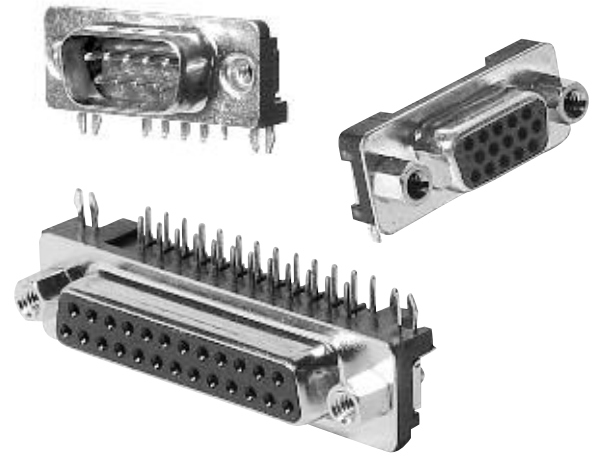
Operating temperature: -55°C to +105°C
Soldering process temperature:
Standard insulator: 235°C
Hi-Temp insulator: 260°C

PACKAGING:

Anti-ESD plastic trays

APPROVALS AND CERTIFICATIONS:

UL Recognized & CSA Certified, File no. E224053



ORDERING INFORMATION

DB25

SN

24

SHELL SIZE/ POSITIONS

DE09 = 9 Positions
DB25 = 25 Positions
HD15 = High Density
15 Positions

MOUNTING OPTIONS

24 = Forked Boardlocks
for PCB Retention and
#4-40 threaded inserts
in mounting holes
25 = Forked Boardlocks
for PCB retention and
#4-40 threaded inserts
in mounting holes with
installed jackscrews

CONTACT / TYPE

PN = Plug, .197" Slimline
SN = Socket, .197" Slimline

OPTIONS:

Add designator(s) to end of part number

15 = 15 μ in gold plating in contact area

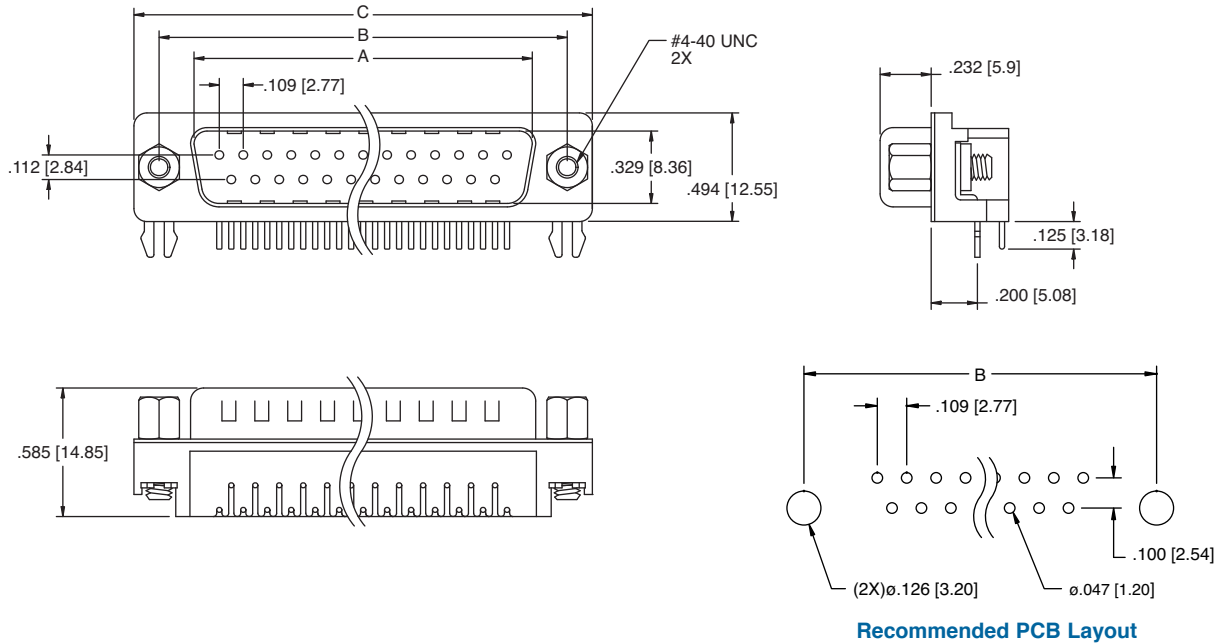
30 = 30 μ in gold plating in contact area

LPJ = Loose packed jackscrews

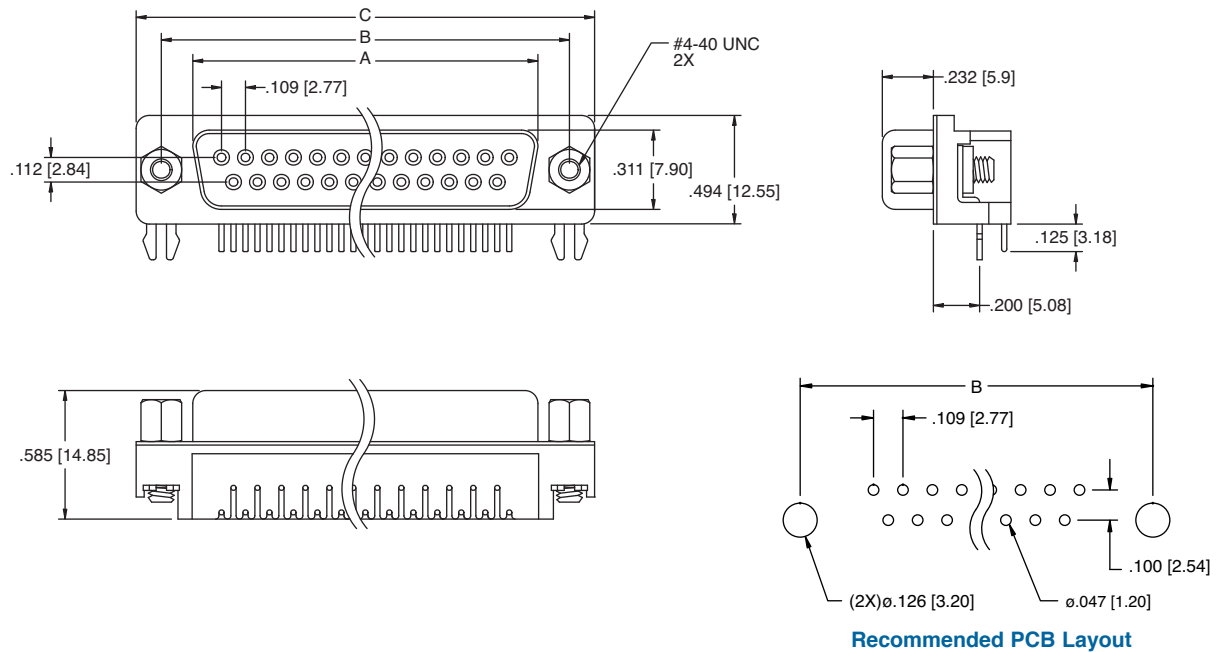
HT = Hi-Temp insulator for Hi-Temp soldering
processes up to 260°C

R = Round jackscrews installed

PLUG



SOCKET



Unit: Inch [mm]

Positions	PLUG	SOCKET	DIMENSIONS	
	A	A	B	C
9	.666 [16.92]	.643 [16.33]	.984 [24.99]	1.213 [30.81]
15	.994 [25.25]	.971 [24.66]	1.312 [33.32]	1.541 [39.14]
25	1.534 [38.96]	1.511 [38.38]	1.852 [47.04]	2.088 [53.04]

INTRODUCTION:

Adam Tech Right Angle SMT Slimline D-Sub connectors are a popular interface for many I/O applications. Offered in 9, 15 and 25 positions they are an excellent choice for a low cost industry standard connection and are ideal for low profile design requirements. Adam Tech connectors are manufactured with precision stamped contacts offering a choice of contact plating and a wide selection of mating and mounting options.

FEATURES:

- Short profile space saving design
- Industry standard compatibility
- Durable metal shell design
- Precision formed contacts
- Variety of Mating and mounting options

MATING CONNECTORS:

Adam Tech D-Subminiatures and all industry standard D-Subminiature connectors.

SPECIFICATIONS:

Material:

Insulator: Hi-Temperature thermoplastic, rated UL94V-0
Insulator Color: Black
Contacts: Phosphor Bronze or Brass
Shell: Steel, Tin or Zinc plated
Hardware: Brass, Nickel plated

Contact Plating:

Gold flash (15 and 30 μ in optional) over Nickel underplate on mating area, Tin over Copper underplate on SMT tails.

Electrical:

Operating voltage: 250V AC / DC max.
Current rating: 1 Amp max.
Contact resistance: 20 m Ω max. initial
Insulation resistance: 5000 M Ω min.
Dielectric withstanding voltage: 1000V AC for 1 minute

Mechanical:

Insertion force: 0.75 lbs max
Extraction force: 0.44 lbs min

Temperature Rating:

Operating temperature: -55°C to +105°C
Soldering process temperature: 260°C

PACKAGING:

Anti-ESD plastic trays

APPROVALS AND CERTIFICATIONS:

UL Recognized & CSA Certified, File no. E224053



ORDERING INFORMATION

DB25

SS

24

SHELL SIZE/ POSITIONS

DE09 = 9 Positions
DB25 = 25 Positions
HDL15 = High Density
15P

MOUNTING OPTIONS

24 = Forked Boardlocks
for PCB Retention and
#4-40 threaded inserts
in mounting holes
25 = Forked Boardlocks
for PCB retention and
#4-40 threaded inserts
in mounting holes with
installed jackscrews

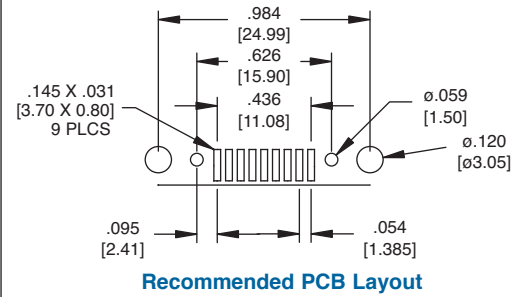
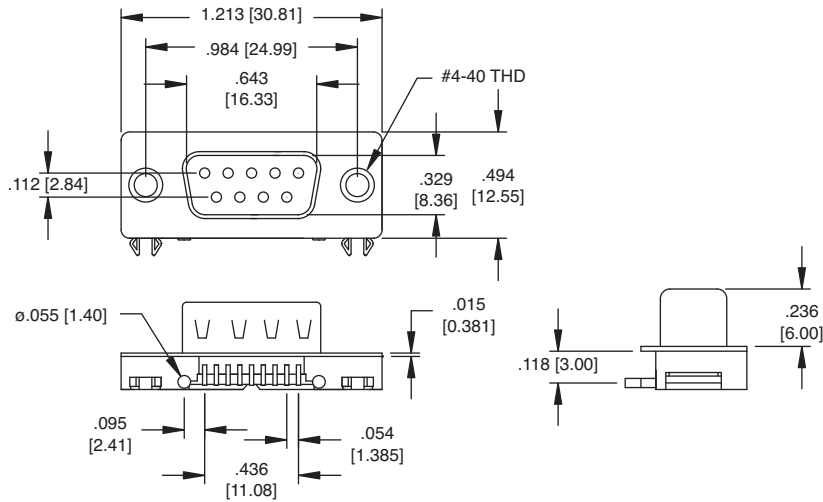
CONTACT / TYPE

PS = Plug Surface Mount
SS = Socket Surface Mount

OPTIONS:

Add designator(s) to end of part number
15 = 15 μ in gold plating in contact area
30 = 30 μ in gold plating in contact area
R = Round jackscrews

9P PLUG

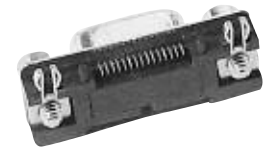
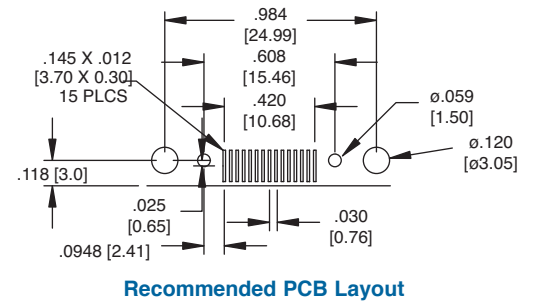
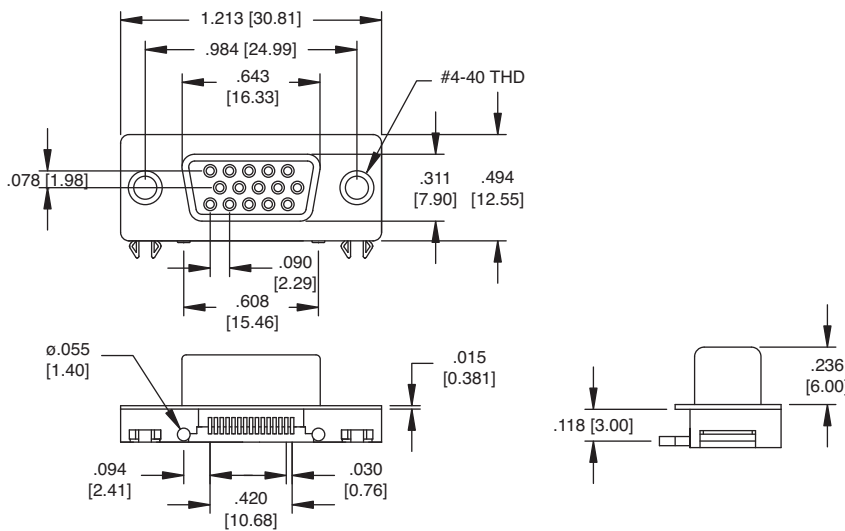


DE09-SS-24



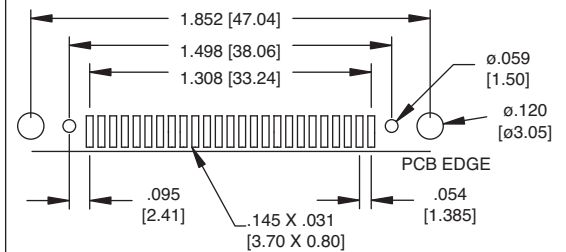
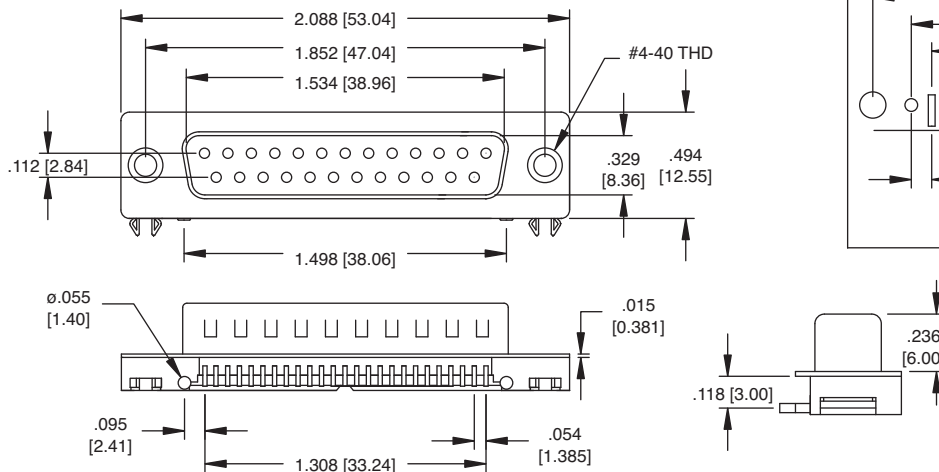
DE09-PS-25

HD15 SOCKET



HDL15-SS-25

25P PLUG



DB25-PS-24

INTRODUCTION

Adam Tech Right Angle .283" footprint D-Sub connectors with Screw Machine Contacts are a popular interface for many I/O applications. Offered in 9, 15, 25 and 37 positions they are a good choice for a high reliability industry standard connection. These connectors are manufactured with precision machine turned contacts and offer an exceptional high reliability connection. They are available in a choice of contact plating and a wide selection of mating and mounting options.

FEATURES:

- Exceptional Machine Contact connection
- Industry standard compatibility
- Durable metal shell design
- Precision turned screw machined contacts
- Variety of Mating and mounting options

MATING CONNECTORS:

Adam Tech D-Subminiatures and all industry standard D-Subminiature connectors.

SPECIFICATIONS:

Material:

Standard insulator: PBT, 30% glass reinforced, rated UL94V-0
 Optional Hi-Temp insulator: Nylon 6T rated UL94V-0
 Insulator Colors: White (Black optional)
 Contacts: Phosphor Bronze
 Shell: Steel, Tin plated
 Hardware: Brass, Nickel plated

Contact Plating:

Gold flash (15 and 30 μ in optional) over Nickel underplate.

Electrical:

Operating voltage: 250V AC / DC max.
 Current rating: 5 Amps max.
 Contact resistance: 20 m Ω max. initial
 Insulation resistance: 5000 M Ω min.
 Dielectric withstanding voltage: 1000V AC for 1 minute

Mechanical:

Insertion force: 0.75 lbs max
 Extraction force: 0.44 lbs min

Temperature Rating:

Operating temperature: -55°C to +105°C
 Soldering process temperature:
 Standard insulator: 235°C
 Hi-Temp insulator: 260°C

PACKAGING:

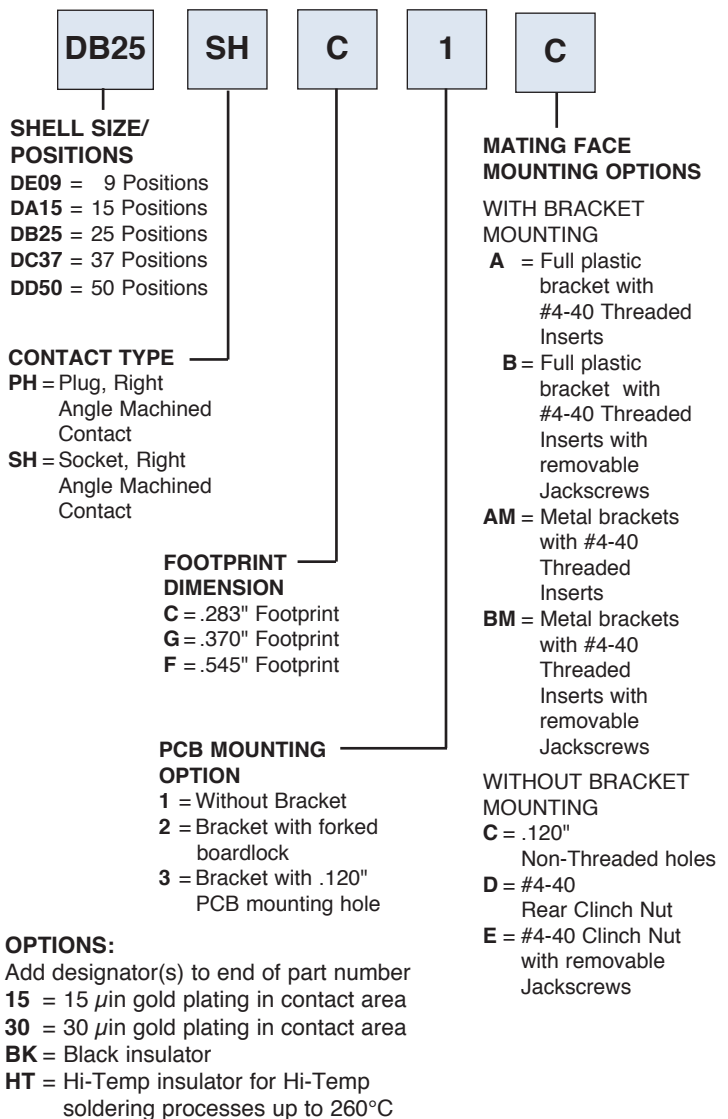
Anti-ESD plastic trays

APPROVALS AND CERTIFICATIONS:

UL Recognized & CSA Certified, File no. E224053



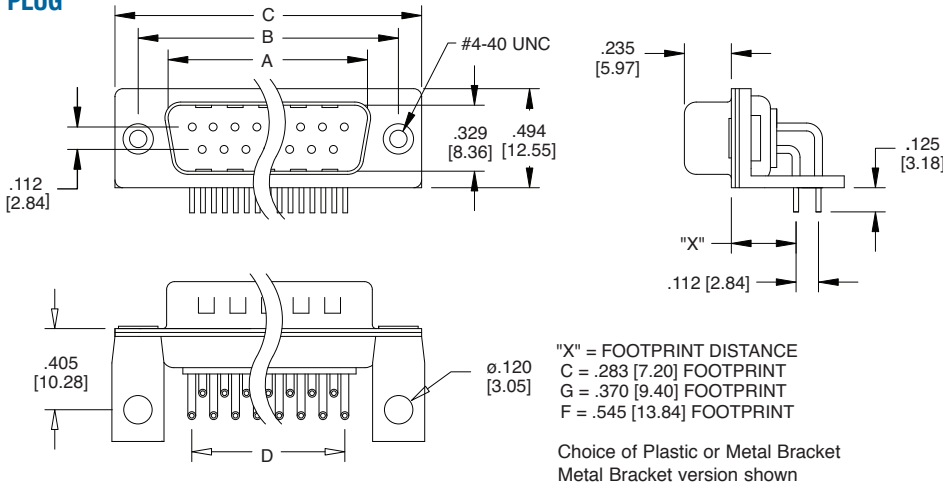
ORDERING INFORMATION



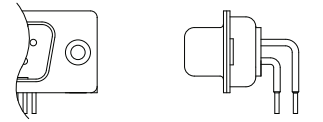
OPTIONS:

Add designator(s) to end of part number
 15 = 15 μ in gold plating in contact area
 30 = 30 μ in gold plating in contact area
 BK = Black insulator
 HT = Hi-Temp insulator for Hi-Temp
 soldering processes up to 260°C

PLUG



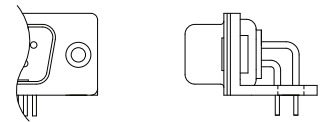
PCB MOUNTING OPTIONS



Option 1: Without Bracket

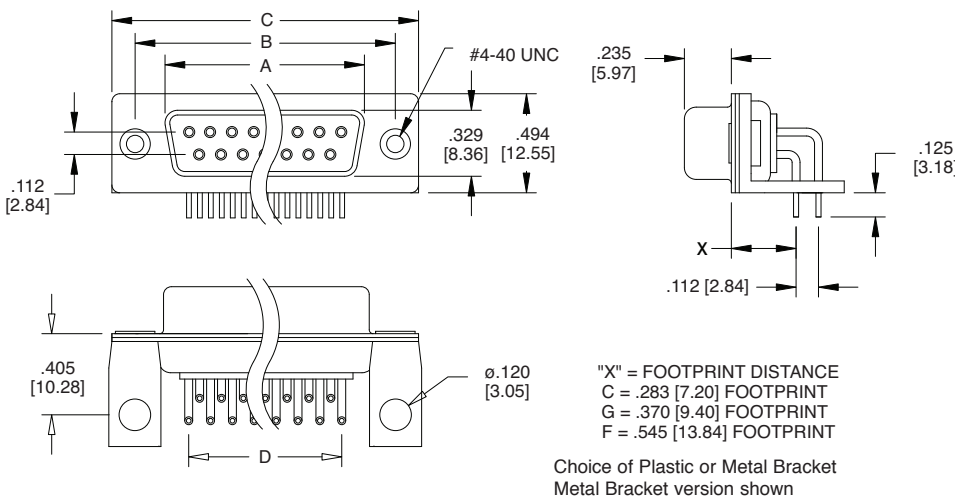


Option 2: Bracket with Board Lock

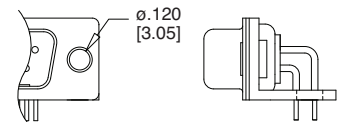


Option 3: Bracket with .120" Mounting Hole

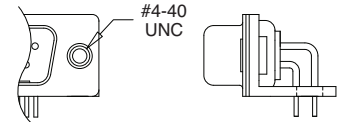
SOCKET



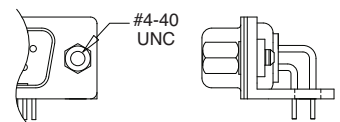
MATING FACE MOUNTING OPTIONS



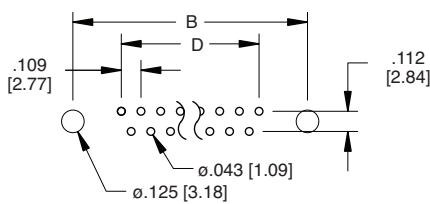
Option C: .120" Mounting Hole



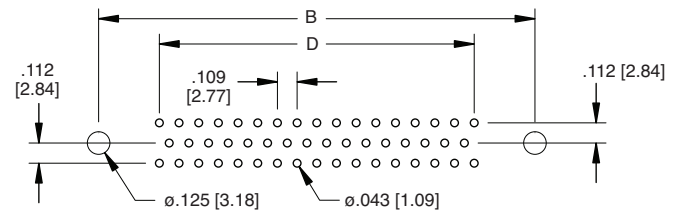
Option D: #4-40 Rear Clinch Nut



Option E: #4-40 Threaded Insert with removable Jack Screws



Recommended PCB Layout 9, 15, 25 & 37 Position



Recommended PCB Layout 50 Position

Unit: Inch / mm

Positions	PLUG	SOCKET	DIMENSIONS		
	A	A	B	C	D
9	.666 [16.92]	.643 [16.33]	.984 [24.99]	1.213 [30.81]	.436 [11.08]
15	.994 [25.25]	.971 [24.66]	1.312 [33.32]	1.541 [39.14]	.763 [19.39]
25	1.534 [38.96]	1.511 [38.38]	1.852 [47.04]	2.088 [53.04]	1.310 [33.24]
37	2.182 [55.43]	2.159 [54.84]	2.500 [63.50]	2.729 [69.32]	1.963 [49.86]
50	2.790 [52.80]	2.016 [52.34]	2.402 [61.00]	2.646 [67.20]	1.744 [44.32]

INTRODUCTION:

Adam Tech Flat Cable IDC D-Sub connectors are a popular interface for many I/O and cable assembly applications. Offered in 9, 15, 25, 37 and 50 positions they are an excellent choice for a low cost industry standard connection that terminates .050" flat cable quickly, easily and compactly. These connectors are manufactured with precision stamped contacts offering a choice of contact plating and a wide selection of mating and mounting options.

FEATURES:

- Quickly terminates to flat cable
- Industry standard compatibility
- Durable metal shell design
- Integral strain relief available
- Precision formed contacts
- Variety of Mating and mounting options

MATING CONNECTORS:

Adam Tech D-Subminiatures and all industry standard D-Subminiature connectors.

SPECIFICATIONS:

Material:

Insulator: PBT, 30% glass reinforced, rated UL94V-0
Insulator Colors: Black (Blue optional)
Contacts: Phosphor Bronze
Shell: Steel, Tin or Zinc plated
Hardware: Brass, Nickel plated

Contact Plating:

Gold flash (15 and 30 μ in optional) over Nickel underplate, Nickel over copper underplate on IDC area

Electrical:

Operating voltage: 250V AC / DC max.
Current rating: 5 Amps max.
Contact resistance: 20 m Ω max. initial
Insulation resistance: 5000 M Ω min.
Dielectric withstanding voltage: 1000V AC for 1 minute

Mechanical:

Insertion force: 0.75 lbs max
Extraction force: 0.44 lbs min
Recommended cable size: 28 to 30 Awg.

Temperature Rating:

Operating temperature: -55°C to +105°C

PACKAGING:

Anti-ESD plastic trays

APPROVALS AND CERTIFICATIONS:

UL Recognized & CSA Certified, File no. E224053



ORDERING INFORMATION

DB25

SF

M

2

SHELL SIZE/ POSITIONS

DE09 = 9 Position
DA15 = 15 Position
DB25 = 25 Position
DC37 = 37 Position
DD50 = 50 Position

CONTACT TYPE

PF = Plug, IDC
SF = Socket, IDC

Strain Relief

Part No.:
DSR-09 = 9 Position
DSR-15 = 15 Position
DSR-25 = 25 Position
DSR-37 = 37 Position
DSR-50 = 50 Position

MOUNTING OPTIONS

1 = .130" mounting holes
2 = #4-40 threaded
flush inserts
(Metal Shell only)

BODY CONSTRUCTION

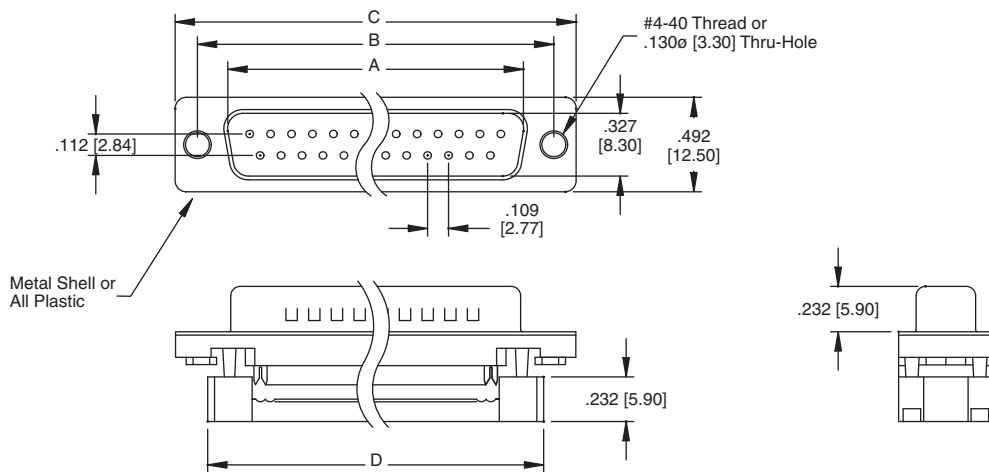
M = Metal shell
P = All plastic body

OPTIONS:

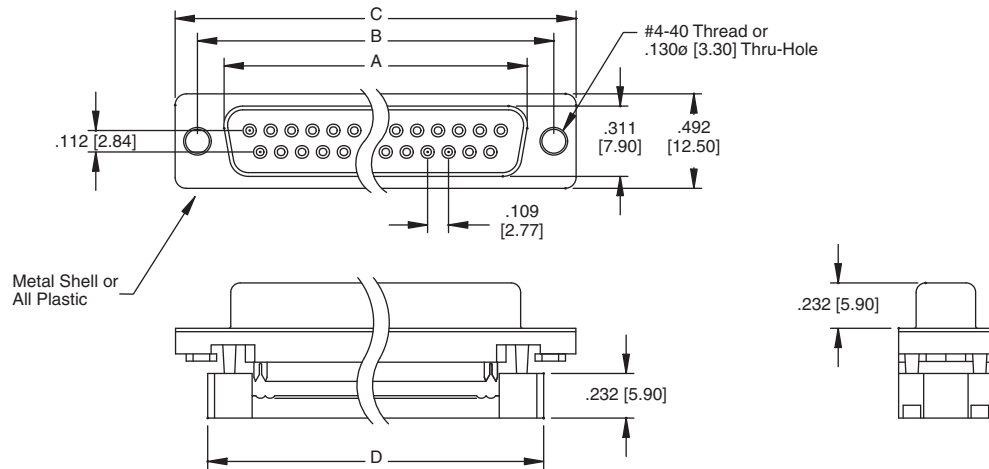
Add designator(s) to end of part number

15 = 15 μ in. gold in contact area
30 = 30 μ in. gold in contact area
BU = Blue color insulator

PLUG



SOCKET



Unit: Inch [mm]

Positions	PLUG	SOCKET	DIMENSIONS		
	A	A	B	C	D
9	.666 [16.92]	.643 [16.33]	.984 [24.99]	1.213 [30.81]	.883 [22.44]
15	.994 [25.25]	.971 [24.66]	1.312 [33.32]	1.541 [39.14]	1.213 [30.81]
25	1.534 [38.96]	1.511 [38.38]	1.852 [47.04]	2.088 [53.04]	1.755 [44.57]
37	2.182 [55.43]	2.159 [54.84]	2.500 [63.50]	2.729 [69.32]	2.414 [61.32]

INTRODUCTION:

Adam Tech Solder Cup D-Sub connectors are a popular interface for many I/O applications. Offered in 9, 15, 25, 37 and 50 positions, they are an excellent choice for a low cost industry standard connection. These connectors are manufactured with precision stamped contacts, and offer a wide selection of mating and mounting options. Adam Tech Solder Cup connectors can be soldered to cable ends or mounted directly to a PCB card edge.

FEATURES:

- Cable or edge card mounting
- Industry standard compatibility
- Durable metal shell design
- Precision formed contacts
- Mating and mounting options

MATING CONNECTORS:

Adam Tech D-Subminiatures and all industry standard D-Subminiature connectors.

SPECIFICATIONS:

Material:

Insulator: PBT, 30% glass reinforced, rated UL94V-0
Insulator Colors: Black (White optional)
Contacts: Phosphor Bronze
Shell: Steel, Tin or Zinc plated
Hardware: Brass, Nickel plated

Contact Plating:

Gold flash (15 and 30 μ in optional) over Nickel underplate underall.

Electrical:

Operating voltage: 250V AC / DC max.
Current rating: 5 Amps max.
Contact resistance: 20 m Ω max. initial
Insulation resistance: 5000 M Ω min.
Dielectric withstanding voltage: 1000V AC for 1 minute

Mechanical:

Insertion force: 0.75 lbs max
Extraction force: 0.44 lbs min

Temperature Rating:

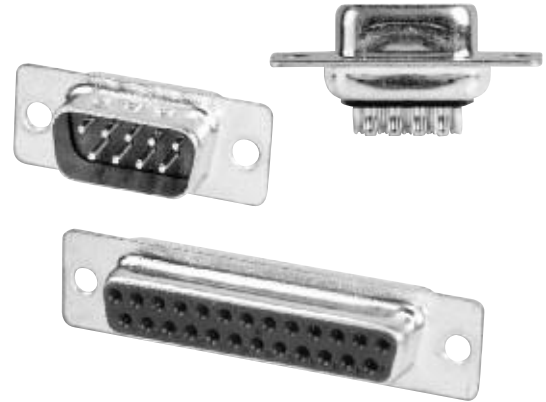
Operating temperature: -55°C to +105°C

PACKAGING:

Anti-ESD plastic trays

APPROVALS AND CERTIFICATIONS:

UL Recognized & CSA Certified, File no. E224053



ORDERING INFORMATION

DB25

PD

SL

SHELL SIZE/ POSITIONS

DE09 = 9 Position
DA15 = 15 Position
DB25 = 25 Position
DC37 = 37 Position
DD50 = 50 Position

MOUNTING OPTIONS

Blank = .120" Mounting Holes
SL = Bottom Side
Riveted, #4-40
clinch nuts
JS = Top Side
Riveted, #4-40
Jack Screws

CONTACT TYPE

PD = Solder Cup, Plug
SD = Solder Cup, Socket

OPTIONS:

Add designator(s) to end of part number

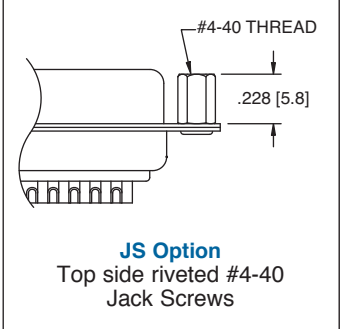
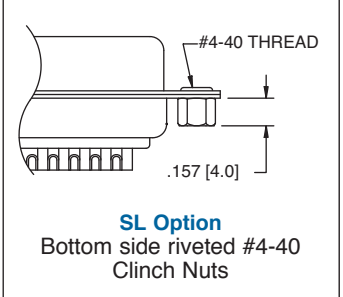
15 = 15 μ in gold plating in contact area

30 = 30 μ in gold plating in contact area

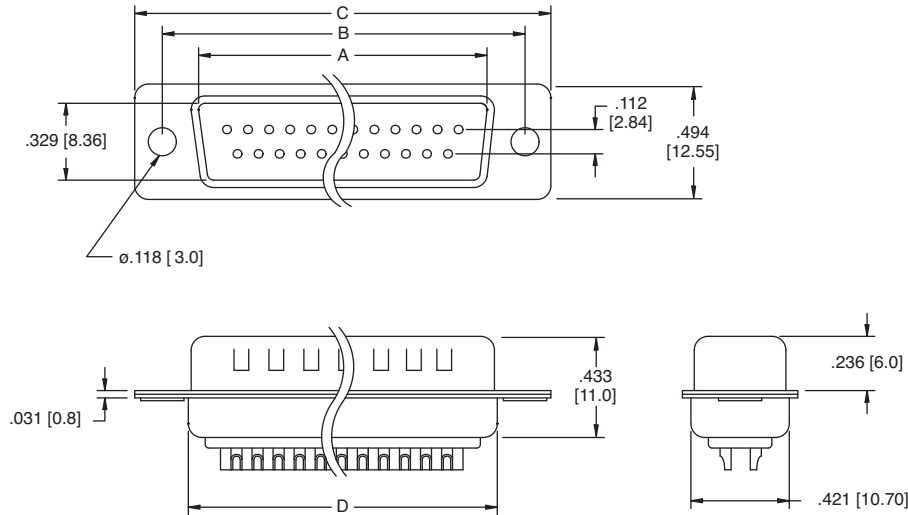
EMI = Ferrite filtered version for EMI / RFI
suppression (Page 114)

WT = White Color Insulator

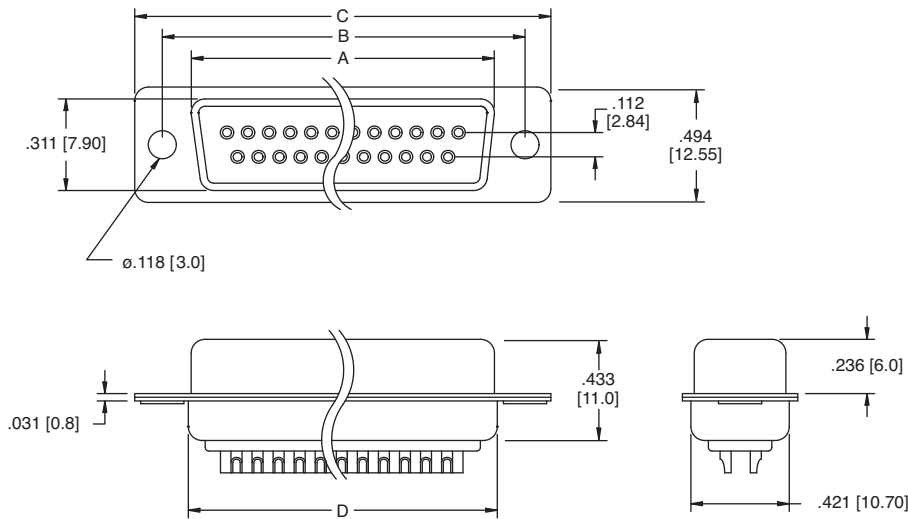
MOUNTING OPTIONS



PLUG



SOCKET



Unit: Inch [mm]

Positions	PLUG	SOCKET	DIMENSIONS		
	A	A	B	C	D
9	.666 [16.92]	.643 [16.33]	.984 [24.99]	1.213 [30.81]	.756 [19.20]
15	.994 [25.25]	.971 [24.66]	1.312 [33.32]	1.541 [39.14]	1.091 [27.70]
25	1.534 [38.96]	1.511 [38.38]	1.852 [47.04]	2.088 [53.04]	1.618 [41.10]
37	2.182 [55.43]	2.159 [54.84]	2.500 [63.50]	2.729 [69.32]	2.256 [57.30]
50	2.079 [52.81]	2.064 [52.43]	2.406 [61.11]	2.637 [67.00]	2.169 [55.10]

INTRODUCTION:

Adam Tech Crimp and Poke D-Sub connectors are a popular interface for many I/O applications. Offered in 9, 15, 25, 37 and 50 positions they are a low cost alternative to soldering a connector to cable. Contacts are crimped onto discrete wires and pushed into the connector body. The connector is comprised of a metal shell and plastic insulator and is available with a variety of mating options. The contacts are precision stamped and are available in a variety of platings.

FEATURES:

- Low cost no solder alternative
- Industry standard compatibility
- Durable metal shell design
- Precision formed contacts
- Variety of Mating and mounting options

MATING CONNECTORS:

Adam Tech D-Subminiatures and all industry standard D-Subminiature connectors.

SPECIFICATIONS:

Material:

- Insulator: PBT, 30% glass reinforced, rated UL94V-0
- Insulator Color: Black
- Contacts: Phosphor Bronze
- Shell: Steel, Tin or Zinc plated
- Hardware: Brass, Nickel plated

Contact Plating:

Gold flash (15 and 30 μ m optional) over Nickel underplate.

Electrical:

- Operating voltage: 250V AC / DC max.
- Current rating: 5 Amps max.
- Contact resistance: 20 m Ω max. initial
- Insulation resistance: 5000 M Ω min.
- Dielectric withstanding voltage: 1000V AC for 1 minute

Mechanical:

- Insertion force: 0.75 lbs max
- Extraction force: 0.44 lbs min

Temperature Rating:

Operating temperature: -55°C to +105°C

PACKAGING:

Anti-ESD plastic trays

APPROVALS AND CERTIFICATIONS:

UL Recognized & CSA Certified, File no. E224053



ORDERING INFORMATION HOUSING

DB25

SR

SL

SHELL SIZE/ POSITIONS

- DE09 = 9 Position
- DA15 = 15 Position
- DB25 = 25 Position
- DC37 = 37 Position
- DD50 = 50 Position

MOUNTING OPTIONS

- Blank = .120" diameter mounting holes
- SL = Riveted #4-40 clinch nuts
- JS = Riveted #4-40 jackscrews

CONTACT TYPE

- PR = Plug, Crimp and Poke
- SR = Socket, Crimp and Poke

CONTACTS

DCP

01

R

CONTACT WIRE RANGE

- DCP = Plug Contact
- DCS = Socket Contact

CONTACT TYPE

- 01 = 24-26 AWG
- 02 = 20-22 AWG
- 03 = 28-30 AWG

PACKAGING

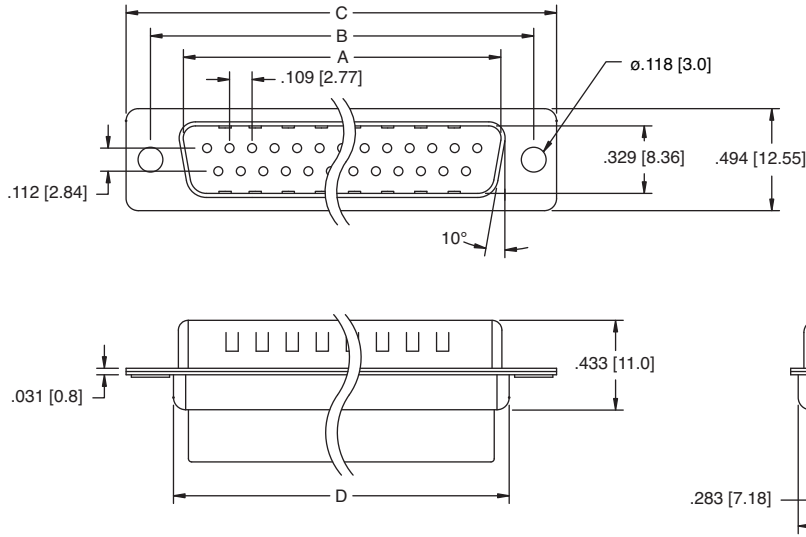
R = 10,000 piece reel

OPTIONS:

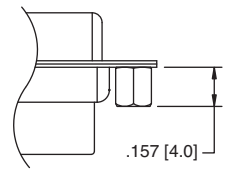
Add designator(s) to end of part number

- 15 = 15 μ m gold plating in contact area on crimp contacts
- 30 = 30 μ m gold plating in contact area on crimp contacts

PLUG HOUSING

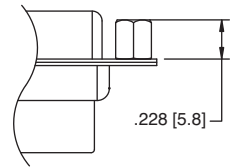
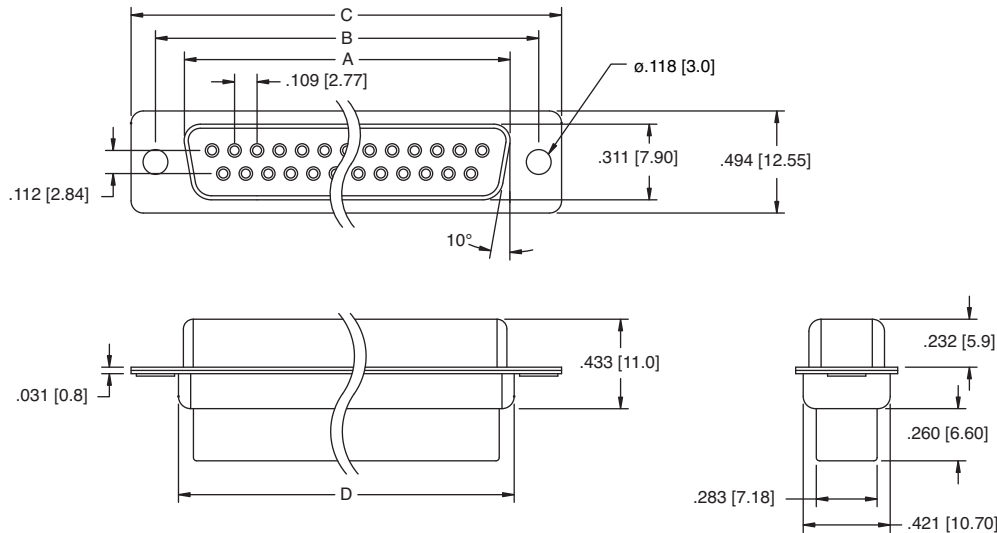


MOUNTING OPTIONS



SL Option
Bottom side riveted #4-40
Clinch Nuts

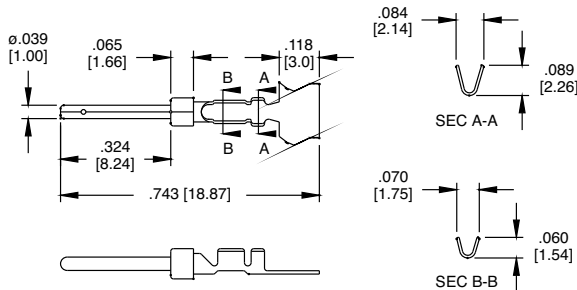
SOCKET HOUSING



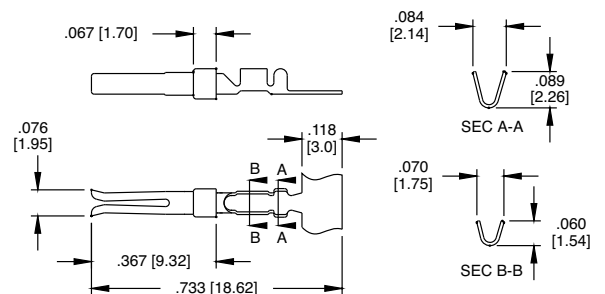
JS Option
Top side riveted #4-40
Jack Screws

See Dimension table pg. 81

PLUG CRIMP CONTACTS



SOCKET CRIMP CONTACTS



INTRODUCTION:

Adam Tech Flush Mount Straight PCB tail D-Sub connectors are a popular interface for many limited space I/O applications. Offered in 9, 15 and 25 positions they are an excellent choice for a low cost industry standard connection and are ideal for low profile design requirements. Adam Tech connectors are manufactured with precision stamped contacts offering a choice of contact plating and a wide selection of mating and mounting options.

FEATURES:

- Low profile space saving design
- Industry standard compatibility
- Durable metal shell design
- Precision formed contacts
- Variety of Mating and mounting options

MATING CONNECTORS:

Adam Tech D-Subminiatures and all industry standard D-Subminiature connectors.

SPECIFICATIONS:

Material:

Standard insulator: PBT, 30% glass reinforced, rated UL94V-0
Optional Hi-Temp insulator: Nylon 6T
Insulator Color: Black
Contacts: Phosphor Bronze
Shell: Steel, Tin or Zinc plated
Hardware: Brass, Nickel plated

Contact Plating:

Gold flash (15 and 30 μ m optional) over Nickel underplate overall.

Electrical:

Operating voltage: 250V AC / DC max.
Current rating: 5 Amps max.
Contact resistance: 20 m Ω max. Initial
Insulation resistance: 5000 M Ω min.
Dielectric withstanding voltage: 1000V AC for 1 minute

Mechanical:

Insertion force: 0.75 lbs max
Extraction force: 0.44 lbs min

Temperature Rating:

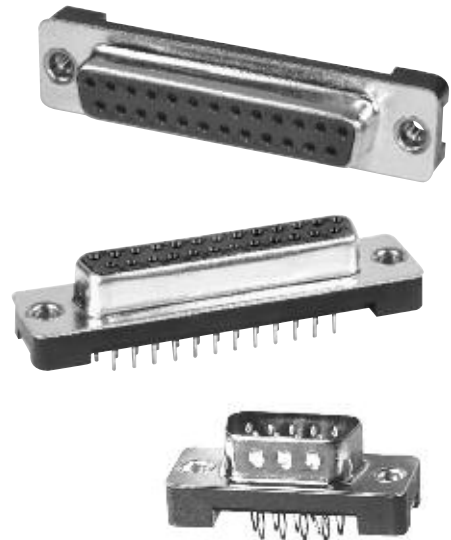
Operating temperature: -55°C to +105°C
Soldering process temperature:
Standard insulator: 235°C
Hi-Temp insulator: 260°C

PACKAGING:

Anti-ESD plastic trays

APPROVALS AND CERTIFICATIONS:

UL Recognized & CSA Certified, File no. E224053



ORDERING INFORMATION

DB25

SA

M2

SHELL SIZE/ POSITIONS

DE09 = 9 Position
DA15 = 15 Position
DB25 = 25 Position
DC37 = 37 Position

CONTACT TYPE

PA = Plug, Flush mount,
Straight PCB Tail
SA = Socket, Flush Mount,
Straight PCB Tail

MOUNTING OPTIONS

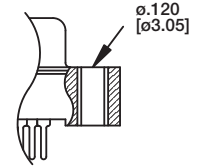
M1 = Thru Hole Mounting
M2 = #4-40 Threaded
mounting holes
M1-R3 = Riveted Round
Jackscrews on top
side
M2-R-BL = Riveted Round
Jackscrews on top
side with Boardlocks
underneath
M2-JS = #4-40 Threaded
Holes with
removable
Jackscrews
M2-BL = Riveted #4-40
Internal Threaded
Standoffs with
Boardlocks
M2-BL-JS = Removable
Jackscrews with
Boardlocks

OPTIONS:

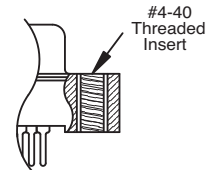
Add designator[s] to end of part number
15 = 15 μ m gold plating in contact area
30 = 30 μ m gold plating in contact area
PF = Press Fit Pins
HT = Hi-Temp insulator for hi-temp soldering
processes up to 260°C

MOUNTING OPTIONS

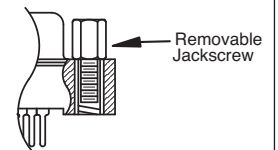
M1 Option
Thru-Hole
Mounting



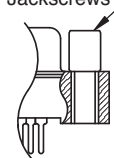
M2 Option
Threaded Hole
Mounting



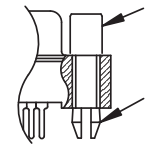
M2-JS
Threaded Hole
Mounting with
removable
Jack Screws



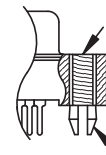
M1-R3
Riveted Round
Jackscrews



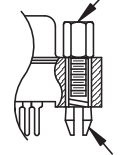
M2-R-BL
Riveted Round
Jackscrews with
Boardlock



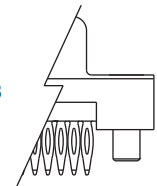
M2-BL
#4-40 Threaded
Insert with Boardlock



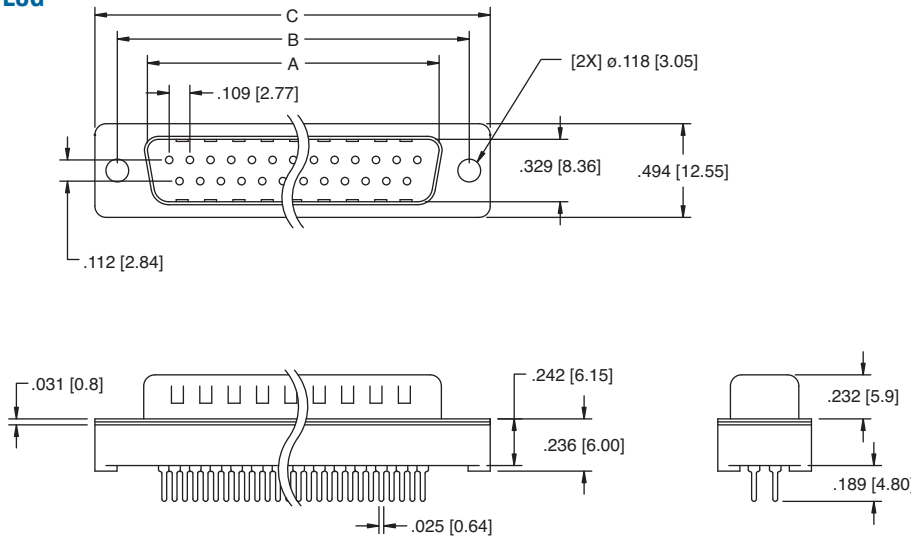
M2-BL-JS
Removable Jackscrew
with Boardlock



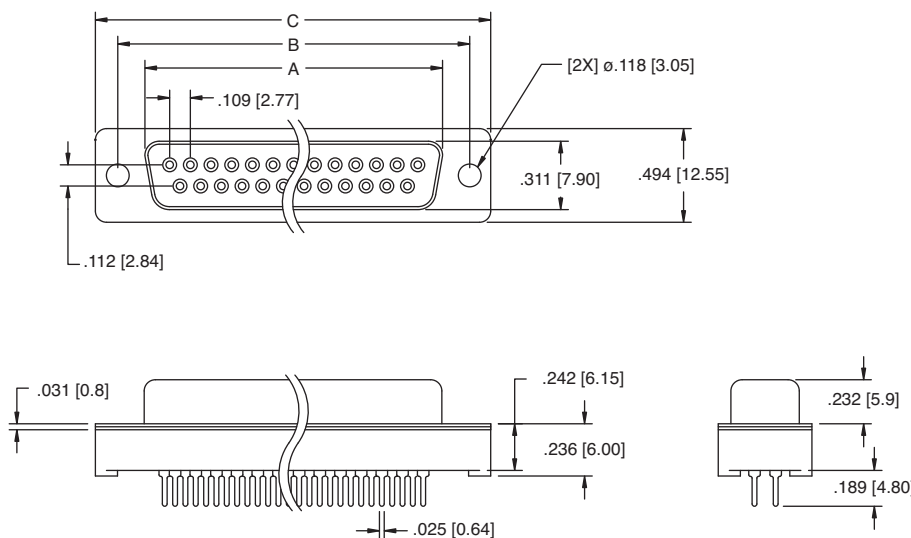
**Press Fit PCB
Tail Option**



PLUG

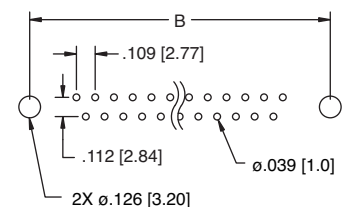


SOCKET



Unit: Inch [mm]

Positions	PLUG	SOCKET	DIMENSIONS	
	A	A	B	C
9	.666 [16.92]	.643 [16.33]	.984 [24.99]	1.213 [30.81]
15	.994 [25.25]	.971 [24.66]	1.312 [33.32]	1.541 [39.14]
25	1.534 [38.96]	1.511 [38.38]	1.852 [47.04]	2.088 [53.04]



Recommended PCB Layout

INTRODUCTION:

Adam Tech Straight PCB tail D-Sub connectors are a popular interface for many I/O applications. Offered in 9, 15, 25, 37 and 50 positions they are an excellent choice for a low cost, sturdy, full metal body industry standard connection. These connectors are manufactured with precision stamped or machined turned contacts offering a choice of contact plating and a wide selection of mating and mounting options.

FEATURES:

- Industry standard compatibility
- Durable metal shell design
- Precision formed contacts
- Variety of Mating and mounting options

MATING CONNECTORS:

Adam Tech D-Subminiatures and all industry standard D-Subminiature connectors.

SPECIFICATIONS:

Material:

Standard insulator: PBT, 30% glass reinforced, rated UL94V-0
 Optional Hi-Temp insulator: Nylon 6T
 Insulator Colors: Black (White optional)
 Contacts: Phosphor Bronze
 Shell: Steel, Tin or Zinc plated
 Hardware: Brass, Nickel plated

Contact Plating:

Gold flash (15 and 30 μ in optional) over Nickel underplate overall

Electrical:

Operating voltage: 250V AC / DC max.
 Current rating: 5 Amps max.
 Contact resistance: 20 m Ω max. initial
 Insulation resistance: 5000 M Ω min.
 Dielectric withstanding voltage: 1000V AC for 1 minute

Mechanical:

Insertion force: 0.75 lbs max
 Extraction force: 0.44 lbs min

Temperature Rating:

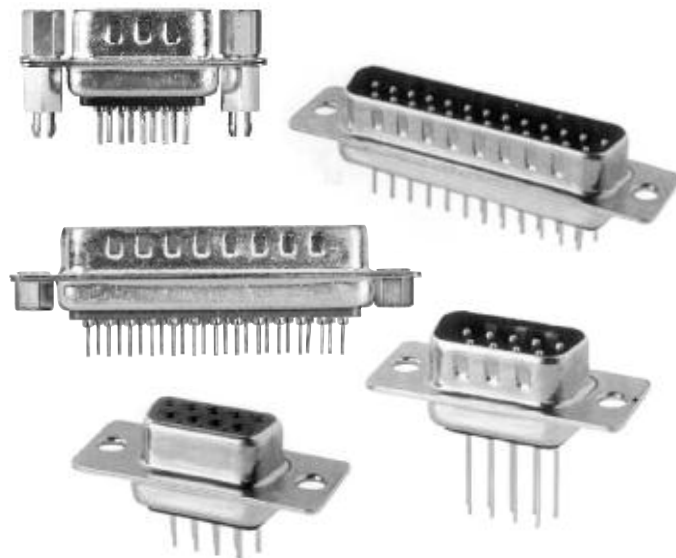
Operating temperature: -55°C to +105°C
 Soldering process temperature:
 Standard insulator: 235°C
 Hi-Temp insulator: 260°C

PACKAGING:

Anti-ESD plastic trays

APPROVALS AND CERTIFICATIONS:

UL Recognized & CSA Certified, File no. E224053



ORDERING INFORMATION



SHELL SIZE/ POSITIONS

DE09 = 9 Position
 DA15 = 15 Position
 DB25 = 25 Position
 DC37 = 37 Position
 DD50 = 50 Position

CONTACT TYPE

PT = Plug, Straight PCB Tail, Standard Profile
 ST = Socket, Straight PCB Tail, Standard Profile
 PE = Plug, Straight PCB Tail, High Profile
 SE = Socket, Straight PCB Tail, High Profile

TAIL LENGTH

1 = Standard tail length for .062"-.125" PCB's (E = .189")
 2 = Wire wrap tail (E = .512")

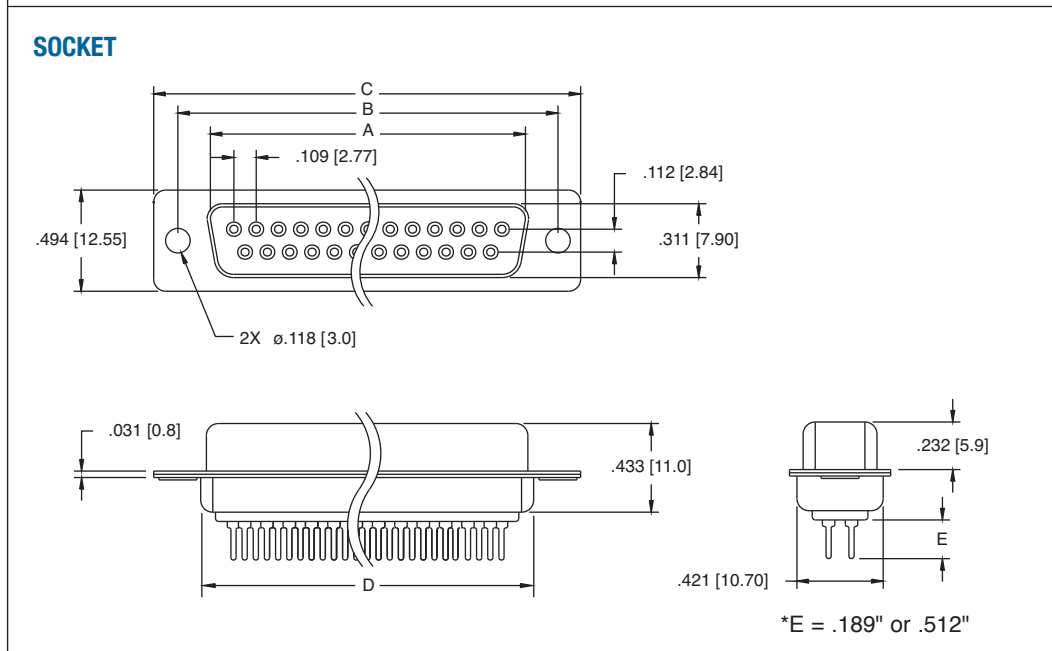
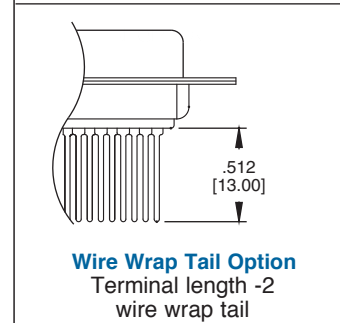
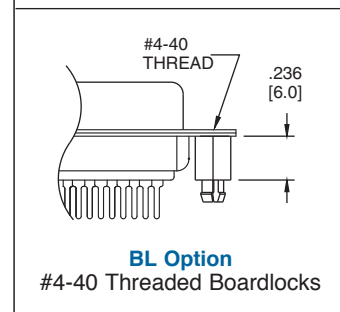
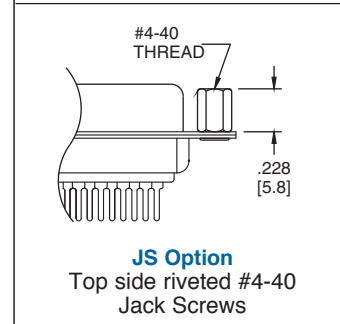
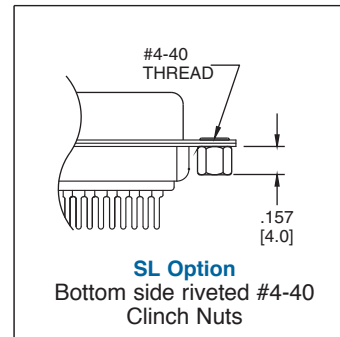
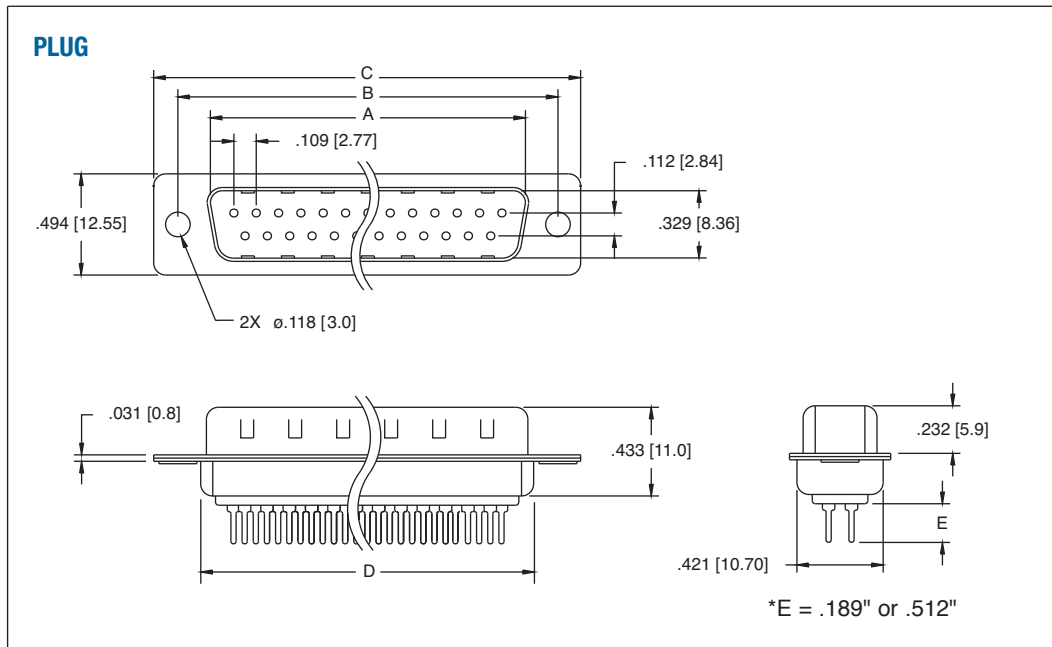
MOUNTING OPTIONS

Blank = .120" Mounting Holes
 SL = Bottom side riveted #4-40 Clinch Nuts
 JS = Top side riveted #4-40 Jackscrews
 BL = Riveted #4-40 Internal Threaded Standoffs with Boardlocks
 R = Riveted Round Jack Screws
 JSL = Bottom side riveted #4-40 Clinch Nuts with Jack Screws installed

OPTIONS:

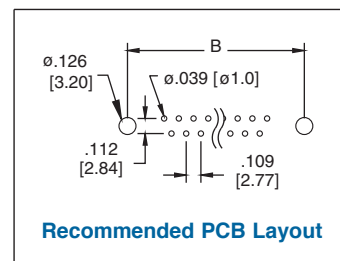
Add designator(s) to end of part number
 15 = 15 μ in gold plating in contact area
 30 = 30 μ in gold plating in contact area
 EMI = Ferrite filtered version for EMI / RFI suppression (Page 114)
 HT = Hi-Temp insulator for hi-temp soldering processes up to 260°C

MOUNTING OPTIONS



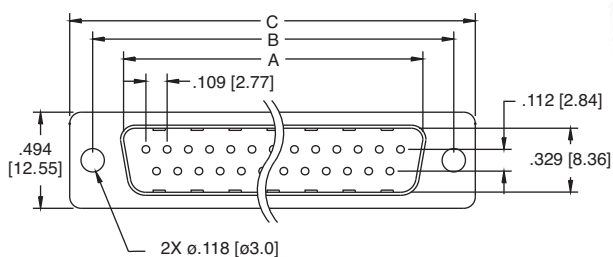
Unit: Inch [mm]

Positions	PLUG	SOCKET	DIMENSIONS		
	A	A	B	C	D
9	.666 [16.92]	.643 [16.33]	.984 [24.99]	1.213 [30.81]	.756 [19.20]
15	.994 [25.25]	.971 [24.66]	1.312 [33.32]	1.541 [39.14]	1.091 [27.70]
25	1.534 [38.96]	1.511 [38.38]	1.852 [47.04]	2.088 [53.04]	1.618 [41.10]
37	2.182 [55.43]	2.159 [54.84]	2.500 [63.50]	2.729 [69.32]	2.256 [57.30]
50	2.079 [52.81]	2.064 [52.43]	2.406 [61.11]	2.637 [67.00]	2.169 [55.10]

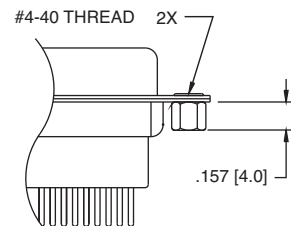
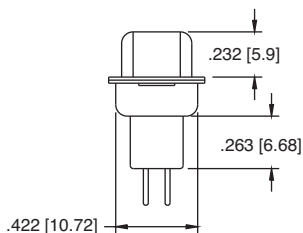
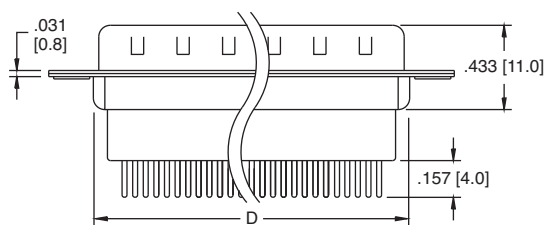


MOUNTING OPTIONS

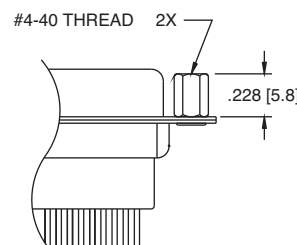
PLUG



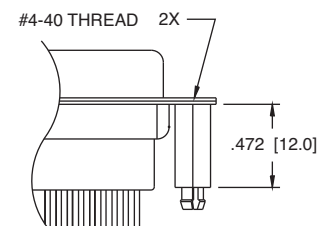
DB25-PE-1



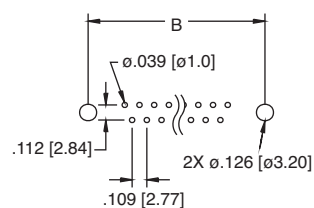
SL Option
Bottom side riveted #4-40
Clinch Nuts



JS Option
Top side riveted #4-40
Jack Screws

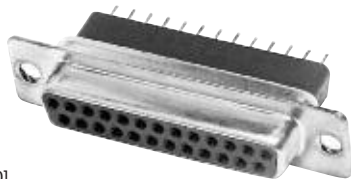
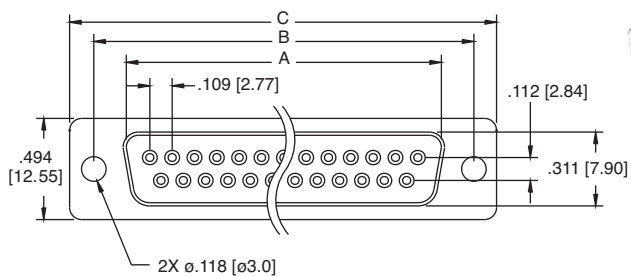


BL Option
#4-40 Threaded Boardlocks

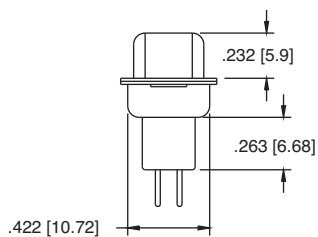
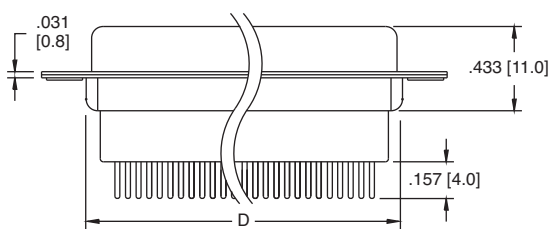


Recommended PCB Layout

SOCKET



DB25-SE-1



Unit: Inch [mm]

Positions	PLUG	SOCKET	DIMENSIONS		
	A	A	B	C	D
9	.666 [16.92]	.643 [16.33]	.984 [24.99]	1.213 [30.81]	.756 [19.20]
15	.994 [25.25]	.971 [24.66]	1.312 [33.32]	1.541 [39.14]	1.091 [27.70]
25	1.534 [38.96]	1.511 [38.38]	1.852 [47.04]	2.088 [53.04]	1.618 [41.10]
37	2.182 [55.43]	2.159 [54.84]	2.500 [63.50]	2.729 [69.32]	2.256 [57.30]
50	2.079 [52.81]	2.064 [52.43]	2.406 [61.11]	2.637 [67.00]	2.169 [55.10]

INTRODUCTION:

Adam Tech Dual Port D-Sub connectors are a popular space saving interface for many I/O applications. Offered in 9, 15, 25, 37 and 50 positions they are a good choice for a low cost industry standard connection and are ideal for PCB space saving applications. These connectors are manufactured with precision stamped contacts and are available in a number of connector combinations including same and mixed gender, mixed density and mixed interface. Options include a choice of contact plating and a variety of mating, mounting and grounding options.

FEATURES:

- Stacked space saving design
- Industry standard compatibility
- Durable metal shell design
- Precision formed contacts
- Variety of Mating and mounting options

MATING CONNECTORS:

Adam Tech D-Subminiatures and all industry standard D-Subminiature connectors.

SPECIFICATIONS:

Material:

- Insulator: PBT, 30% glass reinforced, rated UL94V-0
- Insulator Color: Black
- Contacts: Phosphor Bronze
- Shell: Steel, Tin or Zinc plated
- Hardware: Brass, Nickel plated

Contact Plating:

Gold flash (15 and 30 μ in optional) over Nickel underplate overall.

Electrical:

- Operating voltage: 250V AC / DC max.
- Current rating: 5 Amps max.
- Contact resistance: 20 m Ω max. initial
- Insulation resistance: 5000 M Ω min.
- Dielectric withstanding voltage: 1000V AC for 1 minute

Mechanical:

- Insertion force: 0.75 lbs max
- Extraction force: 0.44 lbs min

Temperature Rating:

Operating temperature: -55°C to +105°C

PACKAGING:

Anti-ESD plastic trays

APPROVALS AND CERTIFICATIONS:

UL Recognized & CSA Certified, File no. E224053



ORDERING INFORMATION

DPD

SERIES INDICATOR

DPD = Dual Port D-Sub

25

POSITIONS

- 09 = 9 Position
- 15 = 15 Position
- 25 = 25 Position
- 37 = 37 Position
- 50 = 50 Position
- X/X = Mixed positions customer specified

10

TOP / BOTTOM GENDER

- 10 = Plug top, receptacle bottom
- 11 = Plug top and bottom
- 01 = Receptacle top, plug bottom
- 00 = Receptacle top and bottom

B

PORT SPACING

- A = .900" (Dim. "E")
- B = .750" (Dim. "E")
- C = .625" (Dim. "E")

3

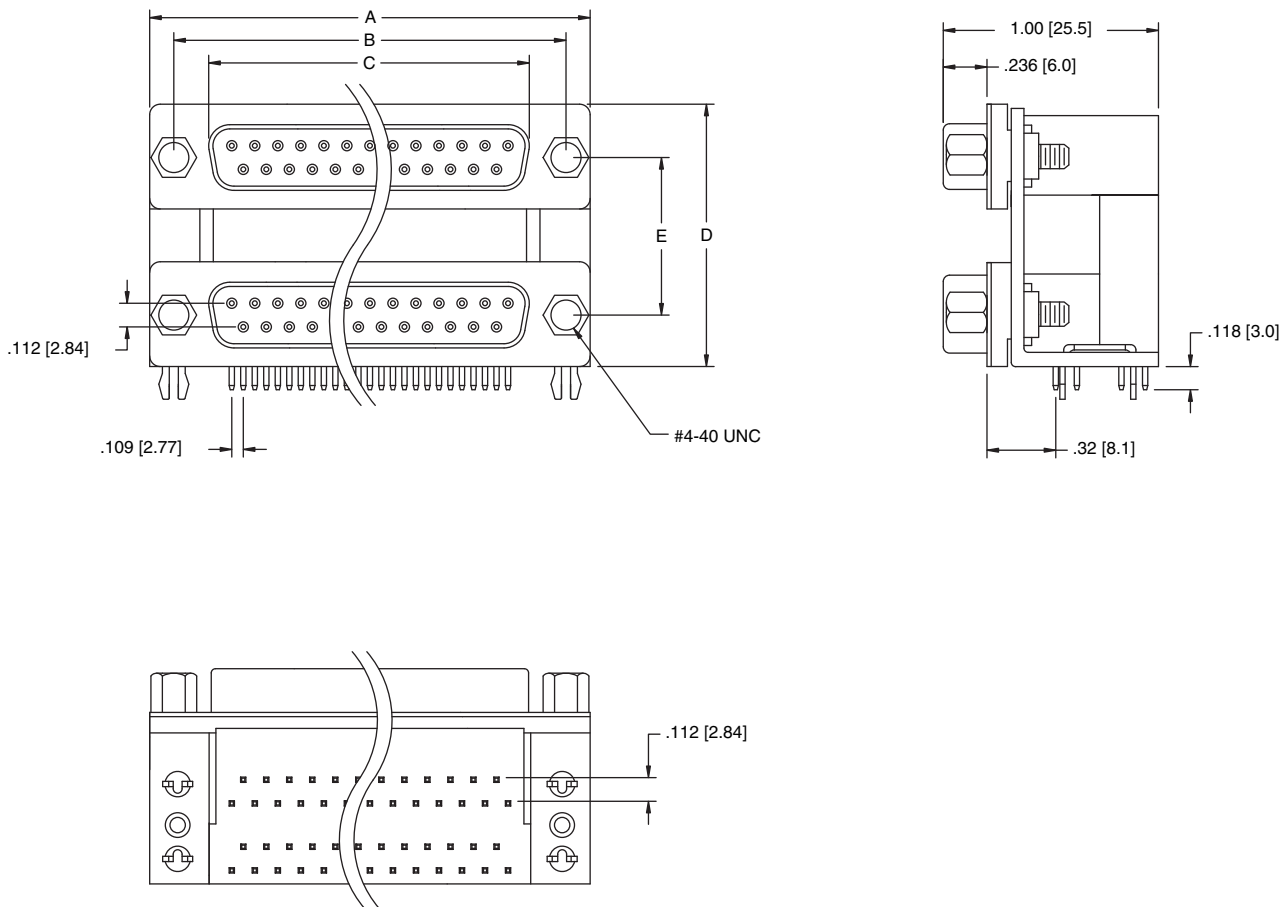
BOARD MOUNTING OPTIONS

- 1 = Through holes only
- 2 = #4-40 threaded holes
- 3 = Forked board locks

OPTIONS:

- Add designator(s) to end of part number
- 15 = 15 μ in gold plating in contact area
- 30 = 30 μ in gold plating in contact area
- JS = #4-40 Jackscrews installed
- R = Rear boardlocks only
- F = Four prong board lock

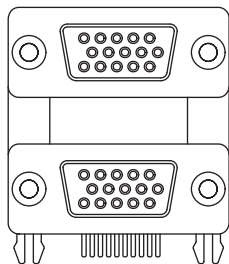
DUAL PORT, RIGHT ANGLE



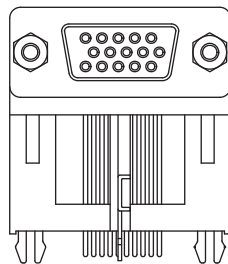
See page 99 for examples of various types we manufacture

Unit: Inch [mm]

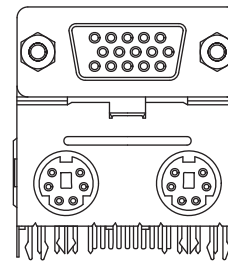
Positions	PLUG	SOCKET	DIMENSIONS			
	A	A	B	C	D	E
9	.666 [16.92]	.643 [16.33]	.984 [24.99]	1.213 [30.81]	PORT HEIGHTS 1.119 [28.42] 1.244 [31.60] 1.394 [35.41]	PORT TO PORT CENTERLINE .900 [22.86] .750 [19.05] .625 [15.88]
15	.994 [25.25]	.971 [24.66]	1.312 [33.32]	1.541 [39.14]		
25	1.534 [38.96]	1.511 [38.38]	1.852 [47.04]	2.088 [53.04]		
37	2.182 [55.43]	2.159 [54.84]	2.500 [63.50]	2.729 [69.32]		
50	2.079 [52.81]	2.064 [52.43]	2.406 [61.11]	2.637 [67.00]		



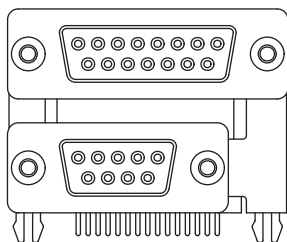
15P HD D-Sub over 15P HD D-Sub



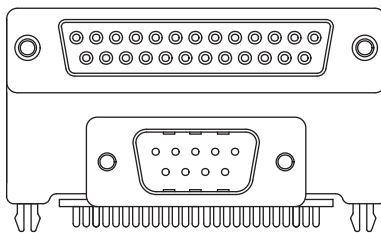
15P HD D-Sub Elevated



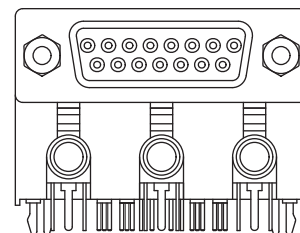
15P HD D-Sub over Dual Mini DINs



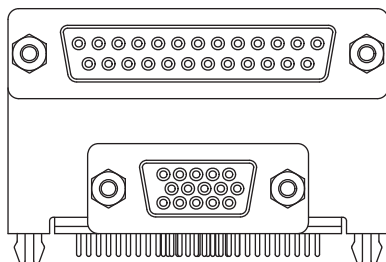
15P D-Sub over 9P D-Sub



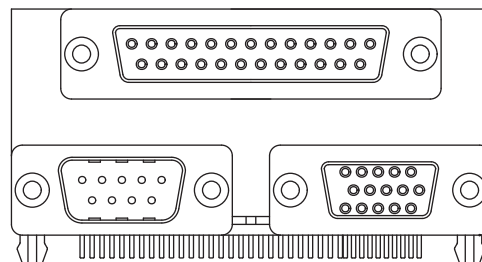
25P D-Sub over 9P D-Sub



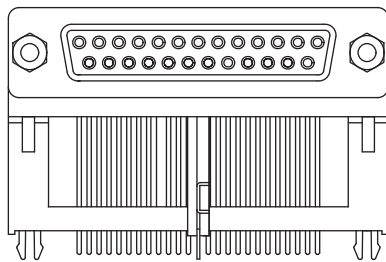
15P D-Sub over Ganged Stereo Jacks



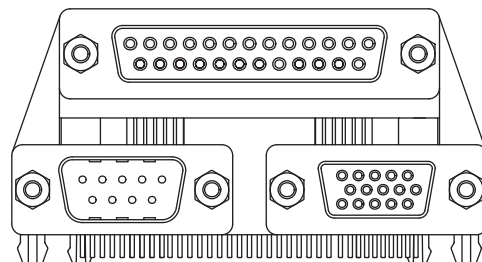
25P D-Sub over HD 15P D-Sub



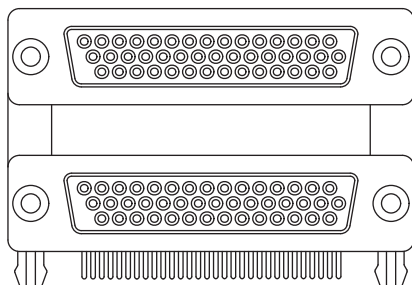
25P D-Sub over 9P D-Sub & HD 15P D-Sub



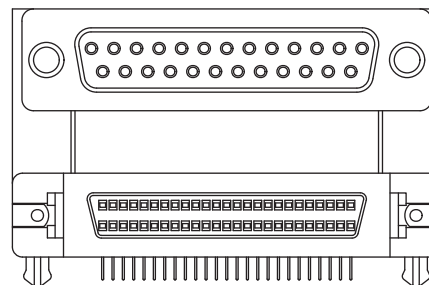
25P D-Sub Elevated



25P D-Sub over 9P D-Sub & HD 15P D-Sub



44P HD D-Sub over 44P HD D-Sub



25P D-Sub over 50P SCSI II

INTRODUCTION:

Adam Tech Solder Cup High Density D-Sub connectors are a popular interface for many I/O applications. Offered in 15, 26, 44, 62 and 78 positions, they are a good choice for a low cost industry standard high density connection. Adam Tech connectors are manufactured with precision stamped contacts offering a choice of contact plating and a wide selection of mating and mounting options.

FEATURES:

- High Density pin count in standard size shell
- Industry standard compatibility
- Durable metal shell design
- Precision formed contacts
- Mating and mounting options

MATING CONNECTORS:

Adam Tech high density D-Subminiatures and all industry standard high density D-Subminiature connectors.

SPECIFICATIONS:

Material:

- Insulator: PBT, 30% glass reinforced, rated UL94V-0
- Insulator Colors: Black (White optional)
- Contacts: Phosphor Bronze
- Shell: Steel, Tin or Zinc plated
- Hardware: Brass, Nickel plated

Contact Plating:

Gold flash (15 and 30 μ in optional) over Nickel underplate overall.

Electrical:

- Operating voltage: 250V AC / DC max.
- Current rating: 5 Amps max.
- Contact resistance: 20 m Ω max. initial
- Insulation resistance: 5000 M Ω min.
- Dielectric withstanding voltage: 1000V AC for 1 minute

Mechanical:

- Insertion force: 0.75 lbs max
- Extraction force: 0.44 lbs min

Temperature Rating:

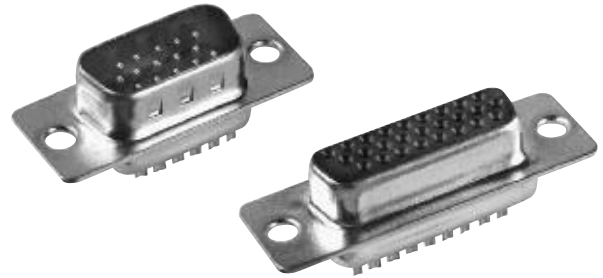
Operating temperature: -55°C to +105°C

PACKAGING:

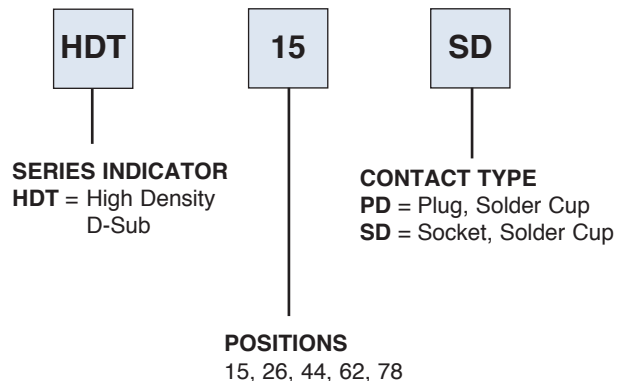
Anti-ESD plastic trays

APPROVALS AND CERTIFICATIONS:

UL Recognized & CSA Certified, File no. E224053



ORDERING INFORMATION



OPTIONS:

Add designator(s) to end of part number

15 = 15 μ in gold plating in contact area

30 = 30 μ in gold plating in contact area

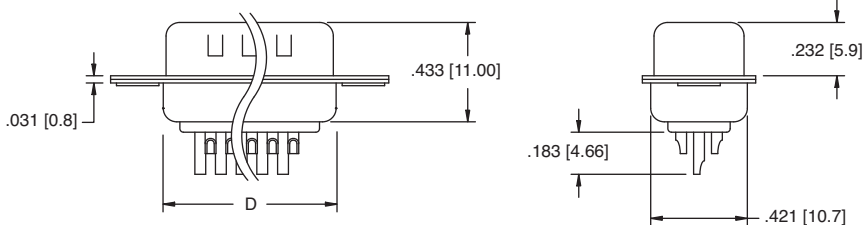
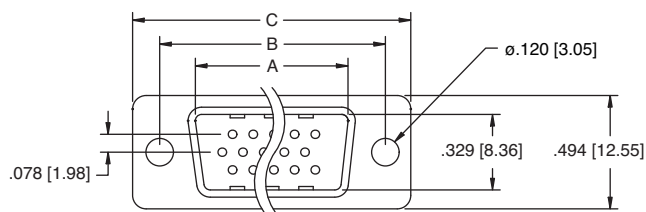
WT = White color insulator

SL = Bottom side Riveted #4-40 Clinch Nuts

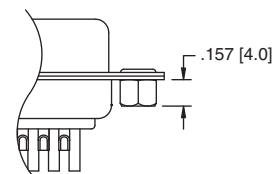
JS = Top side riveted #4-40 Jack Screws

EMI = Ferrite filtered version for EMI / RFI suppression (Page 114)

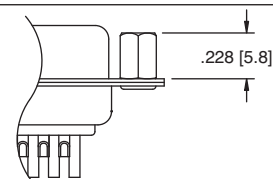
PLUG



MOUNTING OPTIONS

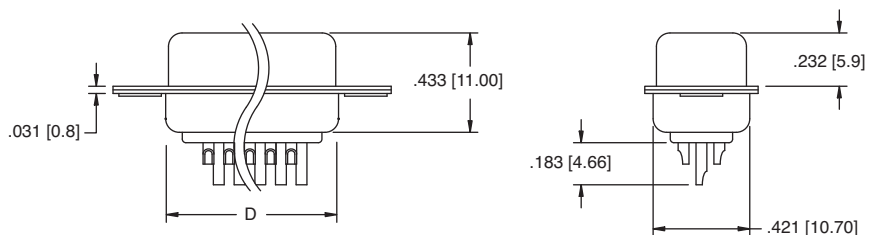
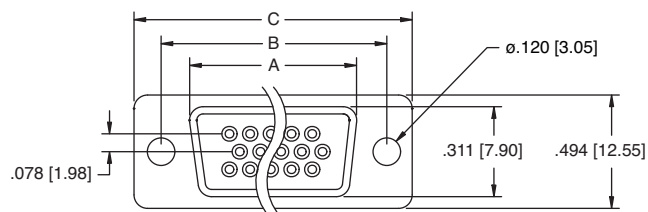


SL Option
Bottom side riveted #4-40
Clinch Nuts



JS Option
Top side riveted #4-40
Jack Screws

SOCKET



Unit: Inch [mm]

Positions	PLUG	SOCKET	DIMENSIONS		
	A	A	B	C	D
15	.666 [16.92]	.643 [16.33]	.984 [24.99]	1.213 [30.81]	.759 [19.28]
26	.994 [25.25]	.971 [24.66]	1.312 [33.32]	1.541 [39.14]	1.083 [27.51]
44	1.534 [38.96]	1.511 [38.38]	1.852 [47.04]	2.088 [53.04]	1.626 [41.30]
62	2.182 [55.43]	2.159 [54.84]	2.500 [63.50]	2.729 [69.32]	2.271 [57.70]
78	2.079 [52.81]	2.064 [52.43]	2.406 [61.11]	2.635 [66.93]	2.099 [55.32]

INTRODUCTION:

Adam Tech Straight PCB tail High Density D-Sub connectors are a popular interface for many I/O applications. Offered in 15, 26, 44, 62 and 78 positions they are a good choice for a low cost industry standard high density connection. Adam Tech connectors are manufactured with precision stamped contacts offering a choice of contact plating and a wide selection of mating and mounting options.

FEATURES:

- High Density pin count in standard size shell
- Industry standard compatibility
- Durable metal shell design
- Precision formed contacts
- Variety of Mating and mounting options

MATING CONNECTORS:

Adam Tech high density D-Subminiatures and all industry standard high density D-Subminiature connectors.

SPECIFICATIONS:

Material:

Standard insulator: PBT, 30% glass reinforced, rated UL94V-0
Optional Hi-Temp insulator: Nylon 6T rated UL94V-0
Insulator Colors: Black (White optional)
Contacts: Phosphor Bronze
Shell: Steel, Tin or Zinc plated
Hardware: Brass, Nickel plated

Contact Plating:

Gold flash (15 and 30 μ m optional) over Nickel underplate overall.

Electrical:

Operating voltage: 250V AC / DC max.
Current rating: 5 Amps max.
Contact resistance: 20 m Ω max. initial
Insulation resistance: 5000 M Ω min.
Dielectric withstanding voltage: 1000V AC for 1 minute

Mechanical:

Insertion force: 0.75 lbs max
Extraction force: 0.44 lbs min

Temperature Rating:

Operating temperature: -55°C to +105°C
Soldering process temperature:
Standard insulator: 235°C
Hi-Temp insulator: 260°C

PACKAGING:

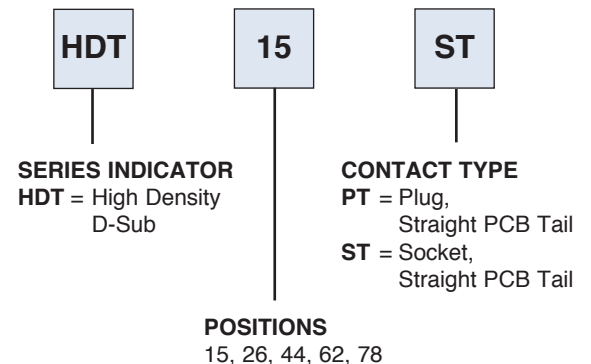
Anti-ESD plastic trays

APPROVALS AND CERTIFICATIONS:

UL Recognized & CSA Certified, File no. E224053



ORDERING INFORMATION



OPTIONS:

Add designator(s) to end of part number

WT = White color insulator
HT = Hi-Temp insulator for Hi-Temp soldering processes up to 260°C

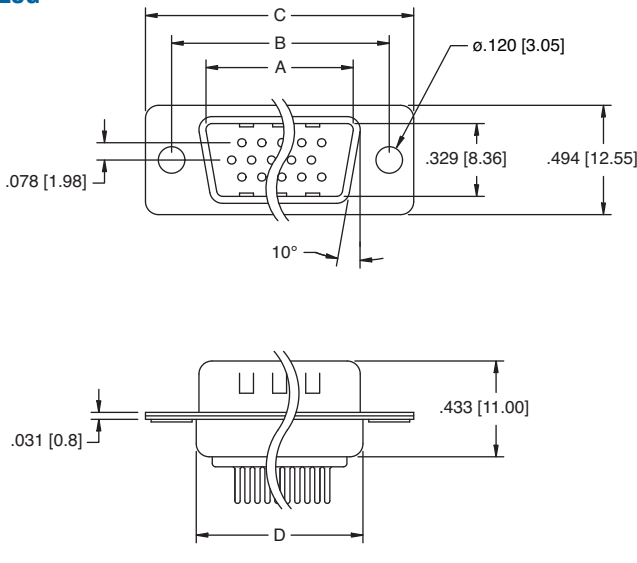
SL = Riveted #4-40 Clinch Nuts

JS = Riveted #4-40 Jackscrews

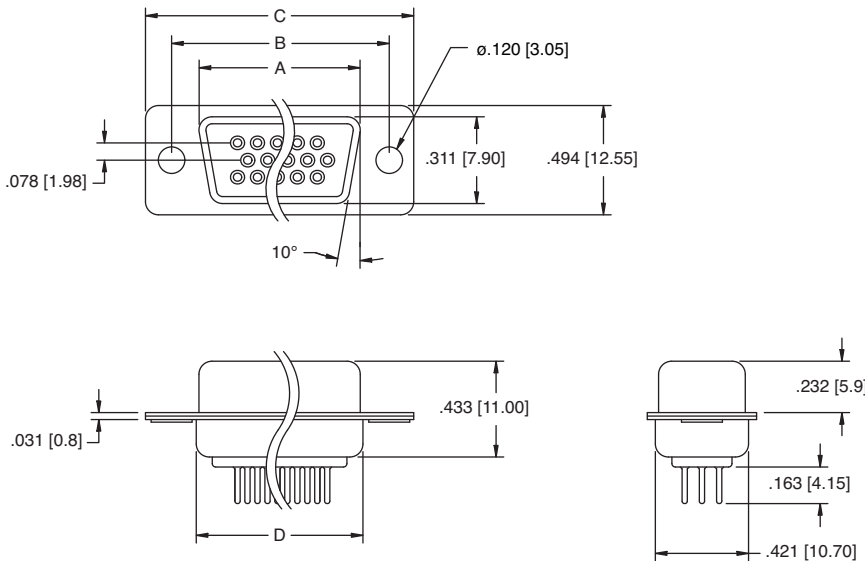
BL = Riveted #4-40 Internal Threaded Standoffs with Boardlocks

EMI = Ferrite filtered version for EMI / RFI suppression (Page 114)

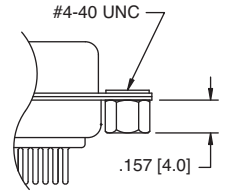
PLUG



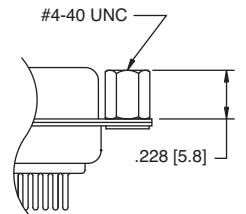
SOCKET



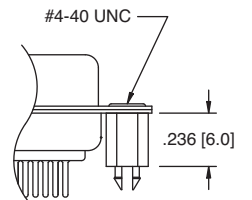
MOUNTING OPTIONS



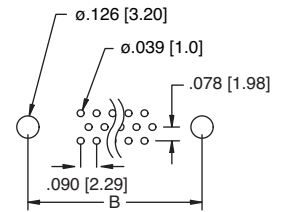
SL Option
Bottom side riveted #4-40 Clinch Nuts



JS Option
Top side riveted #4-40 Jack Screws



BL Option
Bottom side riveted #4-40 Clinch Nuts with PCB Boardlocks



Recommended PCB Layout

Unit: Inch [mm]

Positions	PLUG	SOCKET	DIMENSIONS		
	A	A	B	C	D
15	.666 [16.92]	.643 [16.33]	.984 [24.99]	1.213 [30.81]	.759 [19.28]
26	.994 [25.25]	.971 [24.66]	1.312 [33.32]	1.541 [39.14]	1.083 [27.51]
44	1.534 [38.96]	1.511 [38.38]	1.852 [47.04]	2.088 [53.04]	1.626 [41.30]
62	2.182 [55.43]	2.159 [54.84]	2.500 [63.50]	2.729 [69.32]	2.271 [57.70]
78	2.079 [52.81]	2.064 [52.43]	2.406 [61.11]	2.635 [66.93]	2.099 [55.32]

INTRODUCTION:

Adam Tech Right Angle PCB mount High Density D-Sub connectors are a popular interface for many I/O applications. Offered in 15, 26, 44, 62 and 78 positions they are a good choice for a low cost industry standard high density connection. Adam Tech connectors are manufactured with precision stamped contacts offering a choice of contact plating and a wide selection of mating and mounting options.

FEATURES:

- High Density in standard size shell
- Industry standard compatibility
- Durable metal shell design
- Precision formed contacts
- Variety of Mating and mounting options

MATING CONNECTORS:

Adam Tech high density D-Subminiatures and all industry standard high density D-Subminiature connectors.

SPECIFICATIONS:

Material:

Standard insulator: PBT, 30% glass reinforced, rated UL94V-0
Optional Hi-Temp insulator: Nylon 6T rated UL94V-0
Insulator Colors: HDL Series: Black
HDVG Series: Blue

Contacts: Phosphor Bronze
Shell: Steel, Tin or Zinc plated
Hardware: Brass, Nickel plated

Contact Plating:

Gold flash (15 and 30 μ in optional) over Nickel underplate overall.

Electrical:

Operating voltage: 250V AC / DC max.
Current rating: 5 Amps max.
Contact resistance: 20 m Ω max initial
Insulation resistance: 5000 M Ω min.
Dielectric withstanding voltage: 1000V AC for 1 minute

Mechanical:

Insertion force: 0.75 lbs max
Extraction force: 0.44 lbs min

Temperature Rating:

Operating temperature: -55°C to +105°C
Soldering process temperature:
Standard insulator: 235°C
Hi-Temp insulator: 260°C

PACKAGING:

Anti-ESD plastic trays

APPROVALS AND CERTIFICATIONS:

UL Recognized & CSA Certified, File no. E224053



ORDERING INFORMATION



SERIES INDICATOR

HDL = High Density D-Sub
HDVG = High Density VESA connector with recessed #9 pin and blue insulator

POSITIONS

15, 26, 44, 62, 78

MOUNT OPTIONS

A = #4-40 Jackscrews and forked boardlocks
B = #4-40 Flush threaded inserts and forked boardlocks
C = #4-40 Flush threaded inserts with removable jackscrews and forked boardlocks
D = Topside ground straps with screw holes

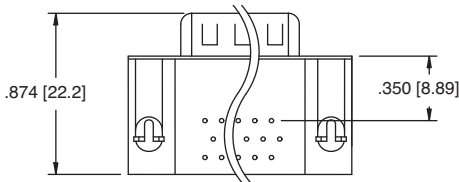
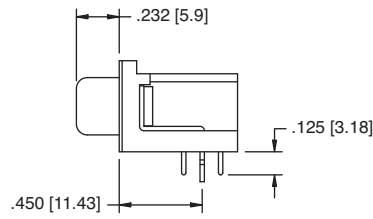
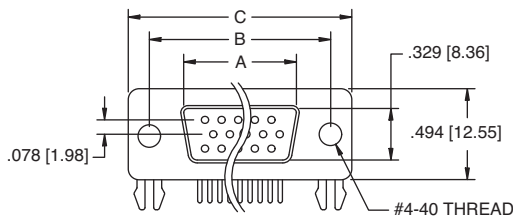
CONTACT TYPE

PL = Plug, Right Angle Mount
SL = Socket, Right Angle Mount

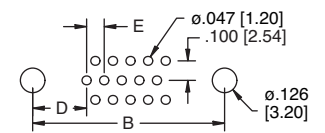
OPTIONS:

Add designator(s) to end of part number
15 = 15 μ in gold plating in contact area
30 = 30 μ in gold plating in contact area
EMI = Ferrite filtered version for EMI / RFI suppression (Page 114)
F = Retention 4 prong boardlocks
HT = Hi-Temp insulator for Hi-Temp soldering processes up to 260°C
R = Round Riveted Jackscrews

PLUG

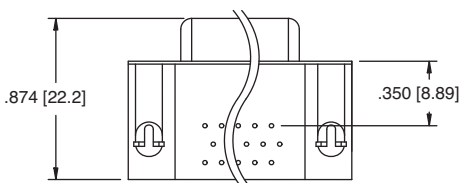
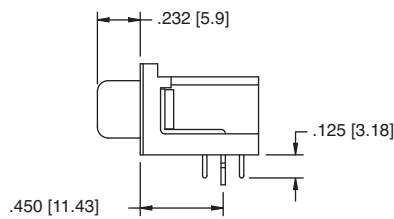
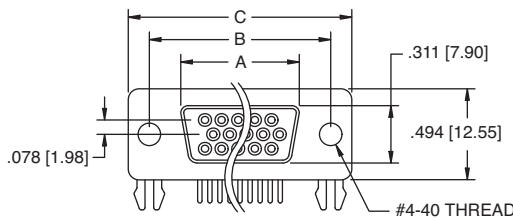


HDL15-PL-B

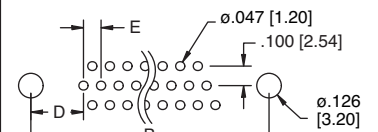


15 Position PCB Layout

SOCKET

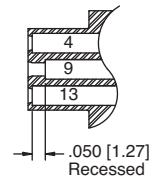


HDL15-SL-B



26, 44, 62 Position PCB Layout

Hi Density Video Graphics Connector



HDVG-15-SL-B

Unit: Inch [mm]

Positions	PLUG	SOCKET	DIMENSIONS			
	A	A	B	C	D	E
15	.666 [16.92]	.643 [16.33]	.984 [24.99]	1.213 [30.81]	.277 [7.04]	.090 [2.29]
26	.994 [25.25]	.971 [24.66]	1.312 [33.32]	1.541 [39.14]	.277 [7.04]	.090 [2.29]
44	1.534 [38.96]	1.511 [38.38]	1.852 [47.04]	2.088 [53.04]	.277 [7.04]	.090 [2.29]
62	2.182 [55.43]	2.159 [54.84]	2.500 [63.50]	2.729 [69.32]	.276 [7.00]	.095 [2.41]
78	2.079 [52.81]	2.064 [52.43]	2.406 [61.11]	2.635 [66.93]	.300 [7.63]	.095 [2.41]

INTRODUCTION:

Adam Tech Crimp and Poke High Density D-Sub connectors are a popular interface for many I/O applications. Offered in 15, 26, 44, 62 and 78 positions they are a low cost alternative to soldering a high density connector to cable. Contacts are crimped onto discrete wires and pushed into the connector body. The connector is comprised of a metal shell and plastic insulator and is available with a variety of mating options. The contacts are precision stamped and are available in a variety of platings.

FEATURES:

- High Density in standard size shell
- Low cost no solder alternative
- Industry standard compatibility
- Durable metal shell design
- Precision formed contacts
- Variety of Mating and mounting options

MATING CONNECTORS:

Adam Tech high density D-Subminiatures and all industry standard high density D-Subminiature connectors.

SPECIFICATIONS:

Material:

- Insulator: PBT, 30% glass reinforced, rated UL94V-0
- Insulator Colors: Black (White optional)
- Contacts: Phosphor Bronze
- Shell: Steel, Tin or Zinc plated
- Hardware: Brass, Nickel plated

Contact Plating:

Gold flash (15 and 30 μ in optional) over Nickel underplate overall.

Electrical:

- Operating voltage: 250V AC / DC max.
- Current rating: 5 Amps max.
- Contact resistance: 20 m Ω max. initial
- Insulation resistance: 5000 M Ω min.
- Dielectric withstanding voltage: 1000V AC for 1 minute

Mechanical:

- Insertion force: 0.75 lbs max
- Extraction force: 0.44 lbs min
- Recommended wire size: 22 to 28 Awg

Temperature Rating:

Operating temperature: -55°C to +105°C

PACKAGING:

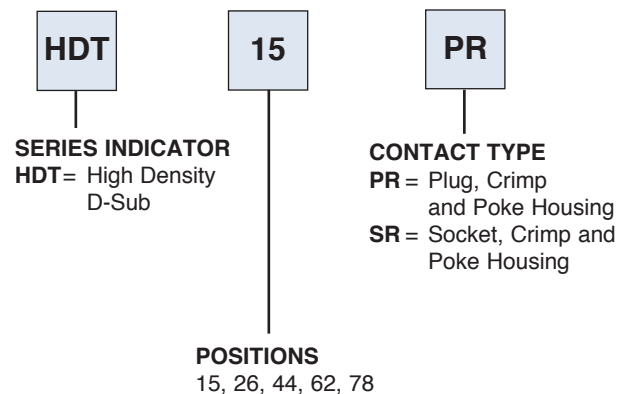
Anti-ESD plastic trays

APPROVALS AND CERTIFICATIONS:

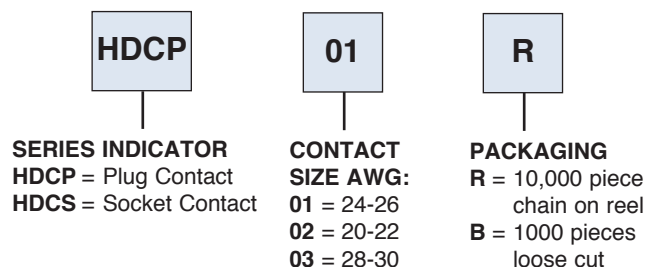
UL Recognized & CSA Certified, File no. E224053



ORDERING INFORMATION HOUSING



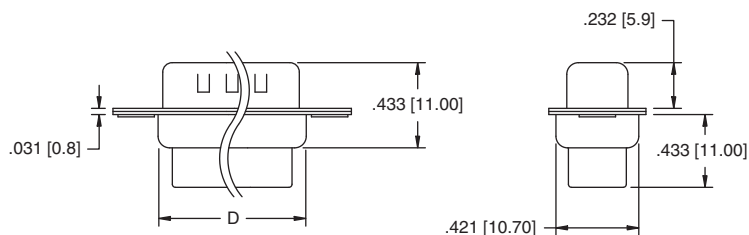
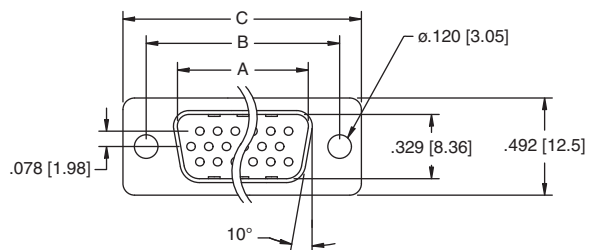
CRIMP CONTACT



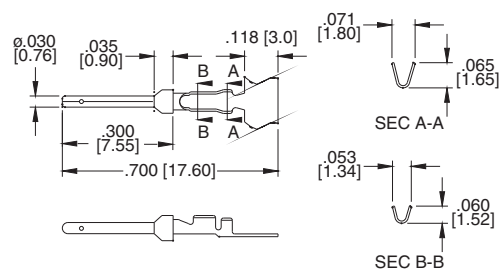
OPTIONS:

- Add designator(s) to end of part number
- 15 = 15 μ in gold plating in contact area
- 30 = 30 μ in gold plating in contact area
- WT = White color insulator.
- SL = Riveted #4-40 Clinch Nuts
- JS = Riveted #4-40 Jackscrews

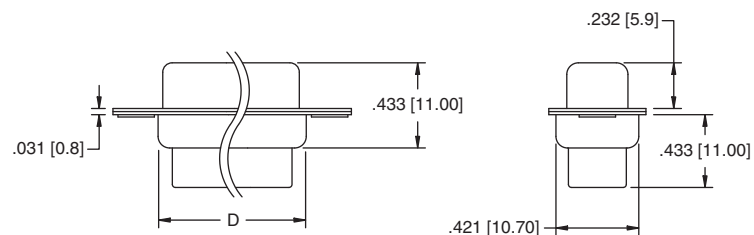
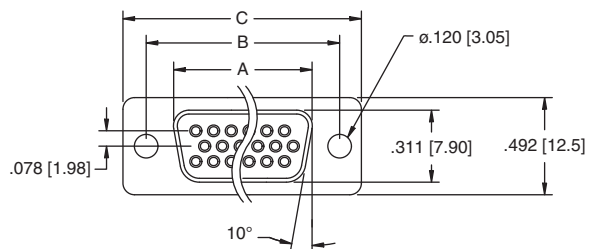
PLUG



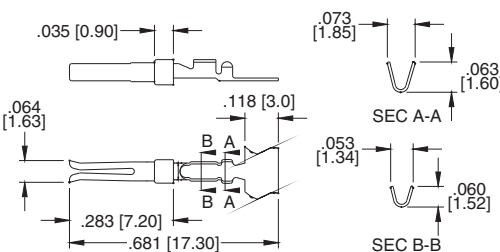
Plug Contact



SOCKET

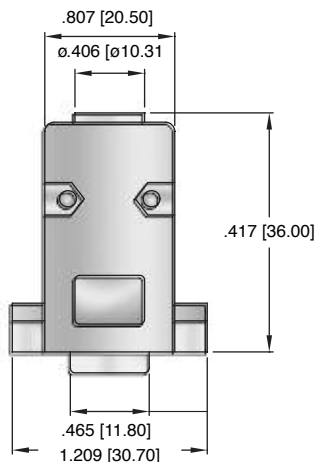


Socket Contact

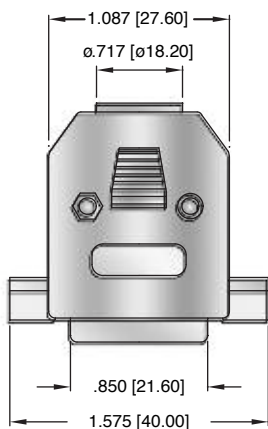


Unit: Inch [mm]

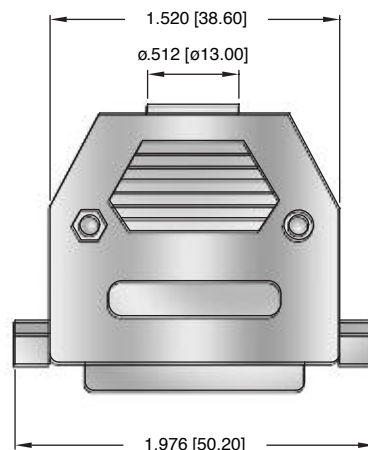
Positions	PLUG	SOCKET	DIMENSIONS		
	A	A	B	C	D
15	.666 [16.92]	.643 [16.33]	.984 [24.99]	1.213 [30.81]	.759 [19.28]
26	.994 [25.25]	.971 [24.66]	1.312 [33.32]	1.541 [39.14]	1.083 [27.51]
44	1.534 [38.96]	1.511 [38.38]	1.852 [47.04]	2.088 [53.04]	1.626 [41.30]
62	2.182 [55.43]	2.159 [54.84]	2.500 [63.50]	2.729 [69.32]	2.271 [57.70]
78	2.079 [52.81]	2.064 [52.43]	2.406 [61.11]	2.635 [66.93]	2.099 [55.32]



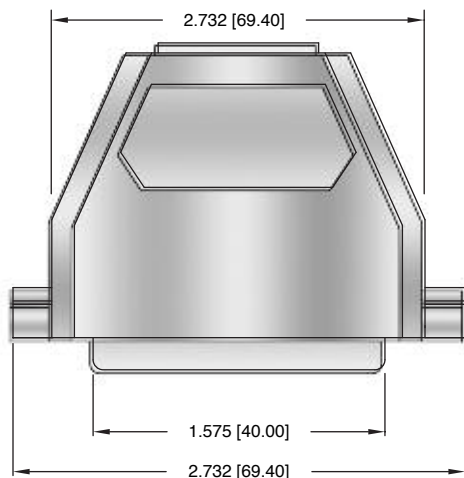
DE09-HD-PN-(SS or TS)



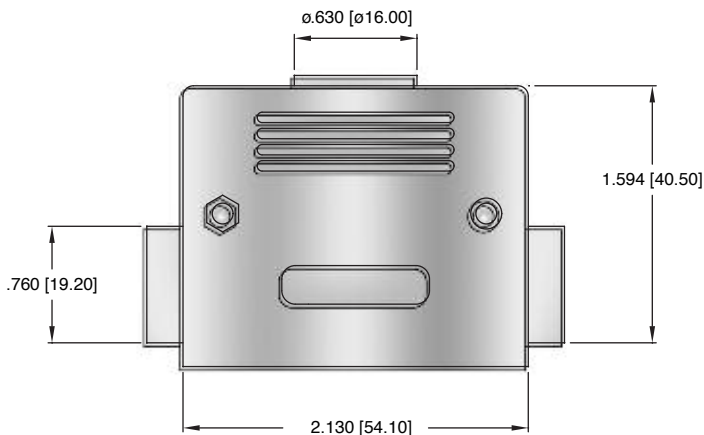
DA15-HD-PN-(SS or TS)



DB25-HD-PN-(SS or TS)



DC37-HD-PN-(SS or TS)

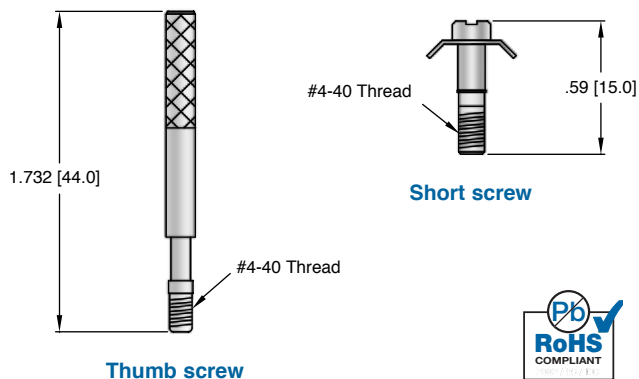


DD50-HD-PN-(SS or TS)

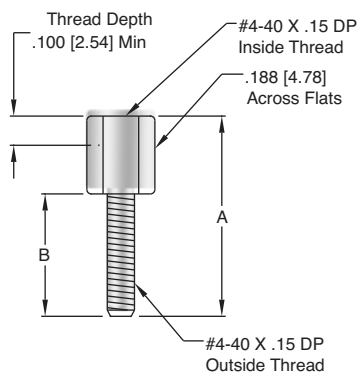
ORDERING INFORMATION

choose one from each category as shown in sample below

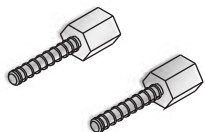
DE09-HD	PY	TS
Hood Size	Hood Color	Hardware
DE09-HD - 9P Hood	PY - Gray Plastic	SS - Short Screw
DA15-HD - 15P Hood	PB - Black Plastic	TS - Thumb Screw
DB25-HD - 25P Hood	PN - Bright Chrome Plated Plastic	
DC37-HD - 37P Hood		
DD50-HD - 50P Hood	AL - Aluminum Cast	



Jackscrews

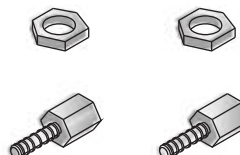


JACKSCREW DIMENSIONS		
PART NUMBER	A	B
JS-01	.416 [10.60]	.226 [5.70]
JS-02	.467 [11.86]	.270 [6.86]
JS-03	.500 [12.70]	.313 [7.95]
JS-04	.465 [11.81]	.226 [5.70]



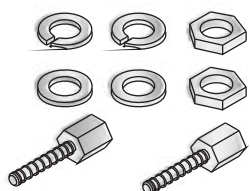
HDW-031

Set includes 2 #4-40 female jackscrews



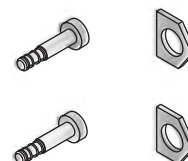
HDW-024

Set includes 2 #4-40 female jackscrews and 2 hex nuts



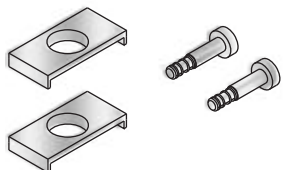
HDW-023

Set includes 2 #4-40 female jackscrews 2 flat washers, 2 split washers and 2 hex nuts



HDW-028

Screw retainer clip set includes 2 screw retainer clips and 2 retainer screws



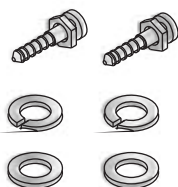
HDW-029

Screw lock kit includes 2 screw locks and 2 retainer screws



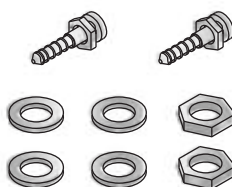
HDW-044

Sliding lock posts
Set of 2



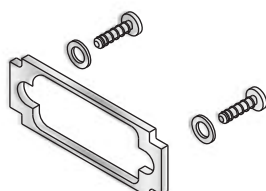
HDW-043A

Slide lock post set includes 2 posts, 2 washers and 2 lock-washers



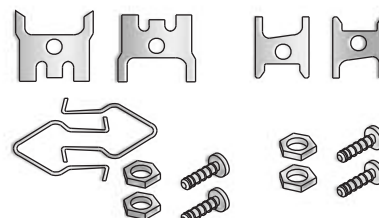
HDW-045

Slide lock post kit includes 2 posts, washers and hex nuts



HDW-043-XX

Slide lock assembly kit includes slide lock, screws and washers, Specify 9, 15, 25 or 37 position



HDW-041

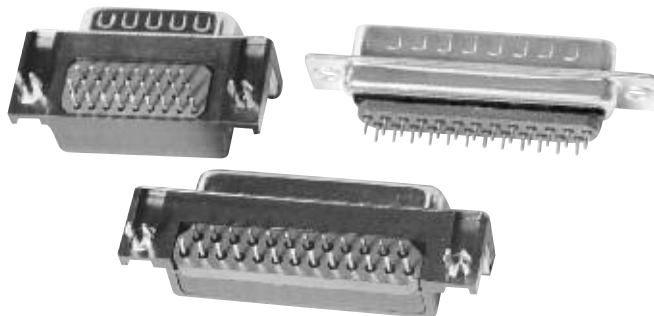
Spring latch set includes 1 pair of spring latches with holding hardware and 1 pair of notch clips with holding hardware

INTRODUCTION:

Adam Tech EMI filtered D-Sub option includes the addition of a high performance Ferrite Filter which surrounds each contact and provides a low cost EMI answer for high frequency interference. Our ferrite filtered D-Subs are direct drop-in replacements with our standard unfiltered D-Subs with the same footprint.

FEATURES:

Direct replacement for standard non-filtered parts
 Low cost alternative to passive component types
 Significant reduction of noise at high frequencies

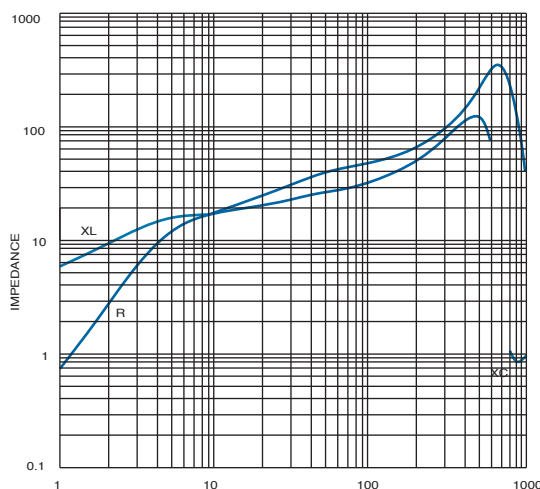


See pgs. 75, 78, 92, 98, 104, 106, 108 for ordering information

AdamTech offers a complete range of ferrite filtered D-Subs to satisfy EMI/RFI emissions in most applications. This series offers filtered connectors in a multitude of terminations, mating and mounting options.

- Drop in replacement for standard D-Subs
- Low applied cost
- Significant reduction of noise at high frequencies

Typical Performance



* Consult factory for specific part number impedance performance.

		FREQ (MHZ)								
		1	5	10	25	30	40	50	100	200
XC-										
XL-		5.4	15	18	23	25	26	28	34	51
R-		0.656	11	18	29	32	37	40	50	64
		300	400	500	600	700	800	900	1000	
XC-						1.27	0.807	0.856	0.977	
XL-		73	101	122	57					
R-		84	121	199	342	344	170	77	40	

		FREQ (MHZ)								
		1	5	10	25	30	40	50	100	200
XC-										
XL-		4	14	18	22	24	26	27	35	55
R-		0.309	8.4	15	26	29	33	36	46	59
		300	400	500	600	700	800	900	1000	
XC-						0.983	0.762	0.851	0.986	
XL-		81	115	147	65					
R-		79	119	210	394	356	150	65	34	

		FREQ (MHZ)								
		1	5	10	25	30	40	50	100	200
XC-										
XL-		3.6	15.9	19	24	25	27	28	36	54
R-		0.116	8.4	16	28	31	35	39	49	62
		300	400	500	600	700	800	900	1000	
XC-						0.998	0.78	0.864	0.996	
XL-		80	112	138	48					
R-		83	124	215	389	339	147	64	33	

		FREQ (MHZ)								
		1	5	10	25	30	40	50	100	200
XC-										
XL-		4.9	16	20	25	27	28	30	36	53
R-		0.45	8.4	15	26	29	33	36	46	59
		300	400	500	600	700	800	900	1000	
XC-						1.082	0.814	0.879	1	
XL-		76	105	122	29					
R-		80	122	224	424	332	131	56	29	