

**INTRODUCTION:**

Adam Tech DNR Series DIN 41612 connectors are a versatile two piece PCB connector set with features useful for many applications including connections between plug-in card and back-panel wiring, PCB to PCB attachment and peripheral connections for external interfaces. Features include a multitude of body sizes and styles with options that include selective contact loading, make and break contacts, contact lead length choices, and contact plating variations each in .100" [2.54] or .200" [5.08] centerline spacing.

**FEATURES:**

- Industry Standard Compatible
- Multiple Body Sizes
- Contact Plating Options
- Make and Break contacts
- .100" or .200" Centerlines

**MATING OPTIONS:**

Adam Tech DNR series and All industry standard DIN 41612 Connectors.

**SPECIFICATIONS:**

**Material:**

Standard insulator: PBT, glass filled, rated UL94V-0  
 Optional Hi-Temp insulator: Nylon 6T, rated UL94V-0  
 Insulator Color: Beige  
 Contacts: Brass or Phosphor Bronze

**Plating:**

Gold Flash over nickel underplate on contact area  
 Tin over copper underplate on tails

**Electrical:**

Operating voltage: 500V AC max.  
 Current rating: 2 Amps max  
 Contact resistance: 30 mΩ max. initial  
 Insulation resistance: 1000 MΩ min.  
 Dielectric withstanding voltage: 1000V AC for 1 minute

**Mechanical:**

Insertion force: 20 lbs / contact max.  
 Withdrawal force: 0.033 lbs / contact min  
 Mating durability: Class I: 500 cycles  
 Class II: 250 cycles  
 Class III: 100 cycles

**Temperature Rating:**

Operating temperature: -55°C to +125°C  
 Soldering process temperature:  
 Standard insulator: 235°C  
 Hi-Temp insulator: 260°C

**PACKAGING:**

Anti-ESD plastic trays or tubes

**APPROVALS AND CERTIFICATIONS:**

UL Recognized & CSA Certified, File no. E224053



### ORDERING INFORMATION

**DIN**

**SERIES INDICATOR**  
 DIN = DIN 41612 Connector

**96**

**NO. OF CONTACTS**  
 Short body 2 rows: 16, 32  
 Short body 3 rows: 16, 32, 48  
 Long body 2 rows: 32, 64  
 Long body 3 rows: 32, 64, 96  
 Long body 4 rows: 100, 128, 160, 200, 240

**M**

**GENDER**  
 M = Male, Pin Contacts  
 F = Female, Socket Contacts

**R**

**MOUNTING ANGLE**  
 S = Straight, PCB mount  
 R = Right Angle, PCB mount

**L33**

**BODY TYPE**  
 S22 = Short body, 2 rows  
 A & B Loaded  
 S32 = Short body, 3 rows  
 A & C Loaded  
 S33 = Short body, 3 rows  
 A, B & C Loaded  
 L22 = Long body, 2 rows  
 A & B Loaded  
 L32 = Long body, 3 rows  
 A & C Loaded  
 L33 = Long body, 3 rows  
 A, B & C Loaded  
 L44 = Long body, 4 rows  
 A, B, C & D Loaded

**A**

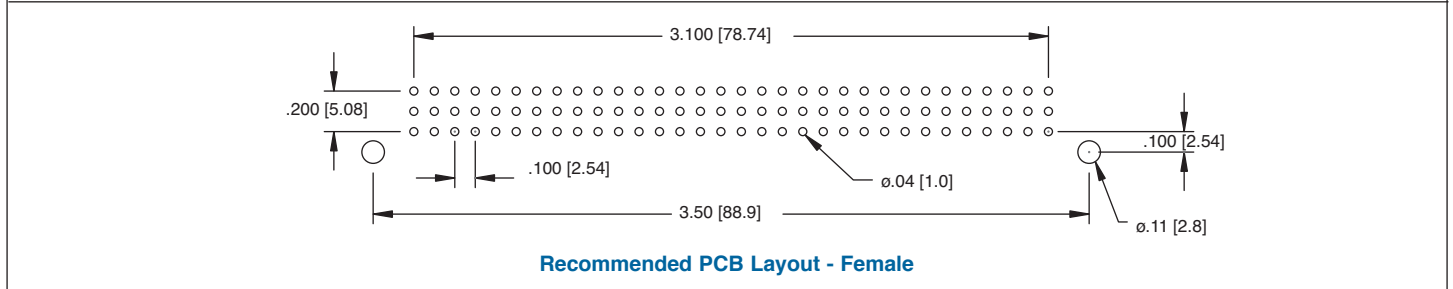
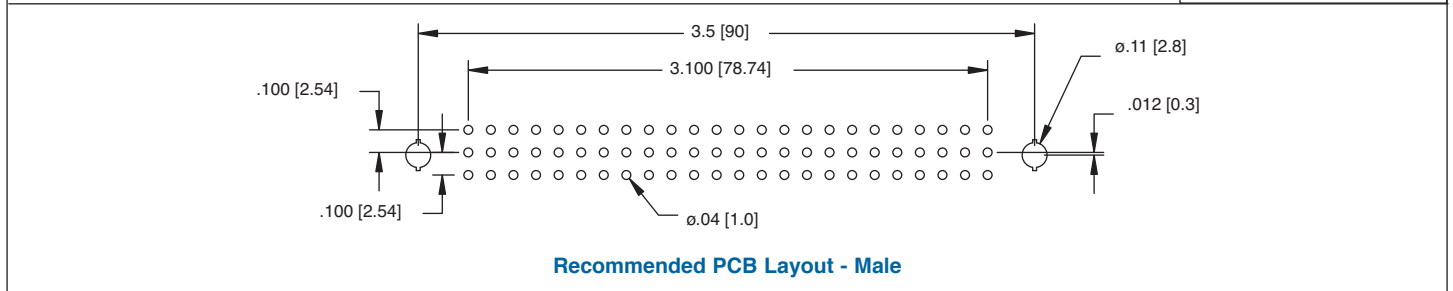
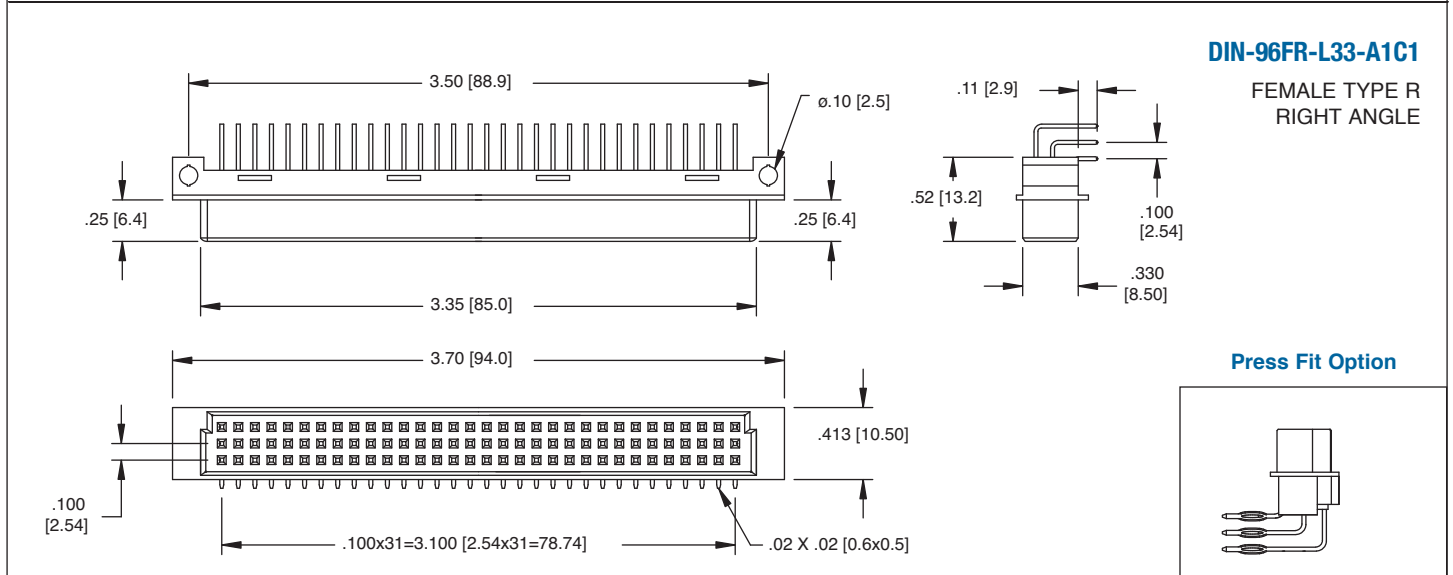
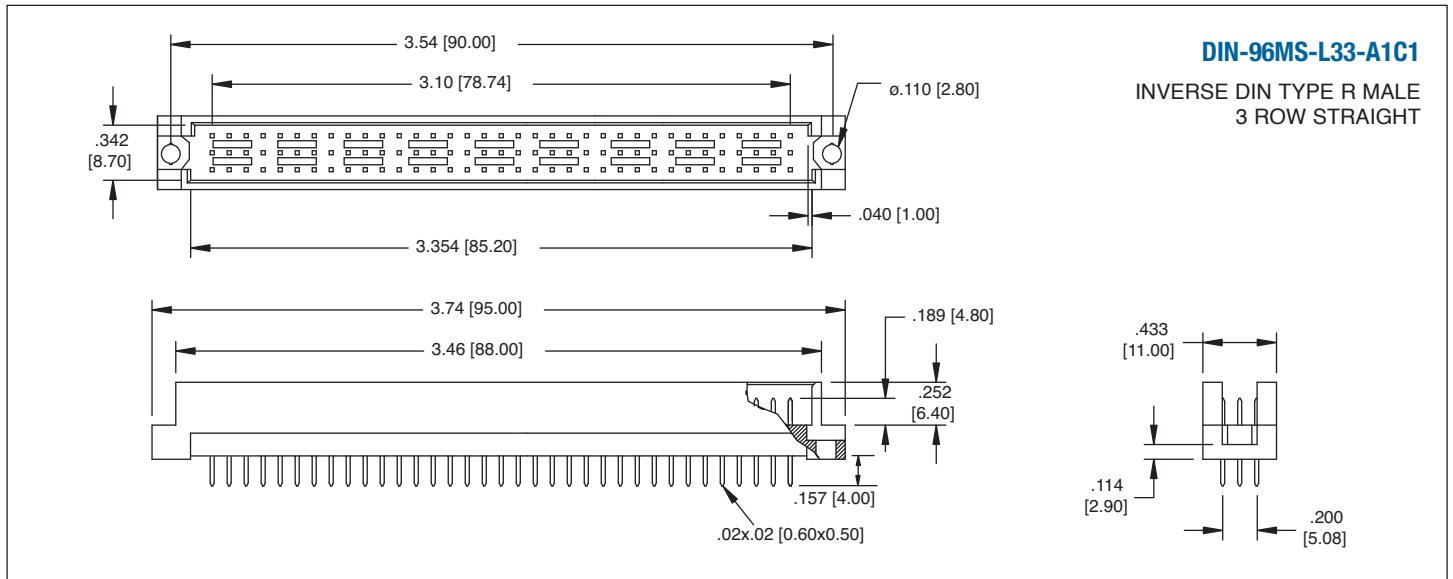
**PITCH**  
 A = .100" [2.54 mm]  
 B = .200" [5.08 mm]

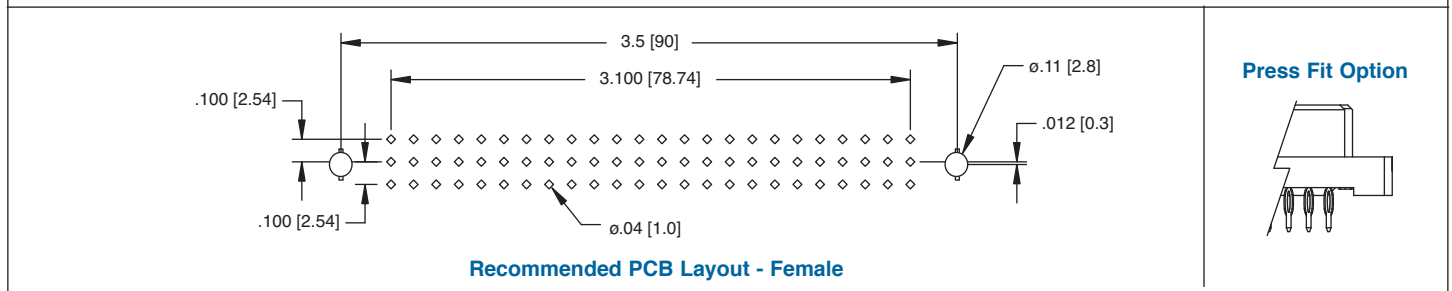
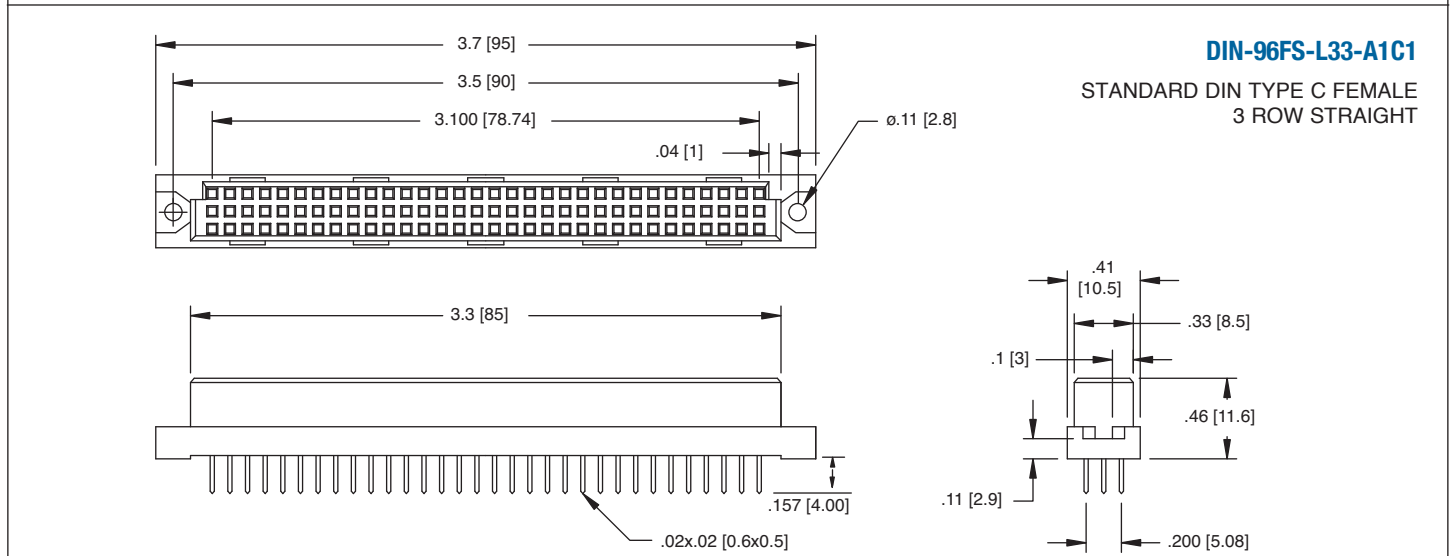
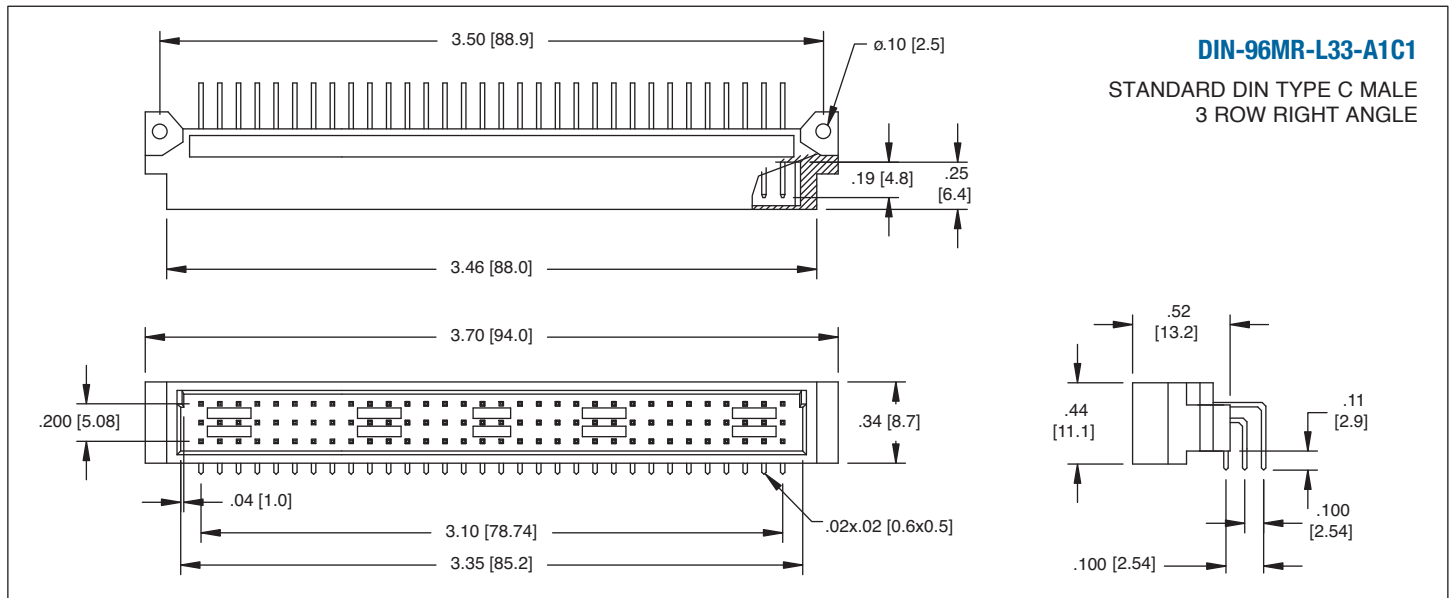
**1**

**SOLDER TAIL LENGTH**  
 1 = Standard solder tail length .157"  
 2 = Wire wrap .511" Solder tail (straight female only)

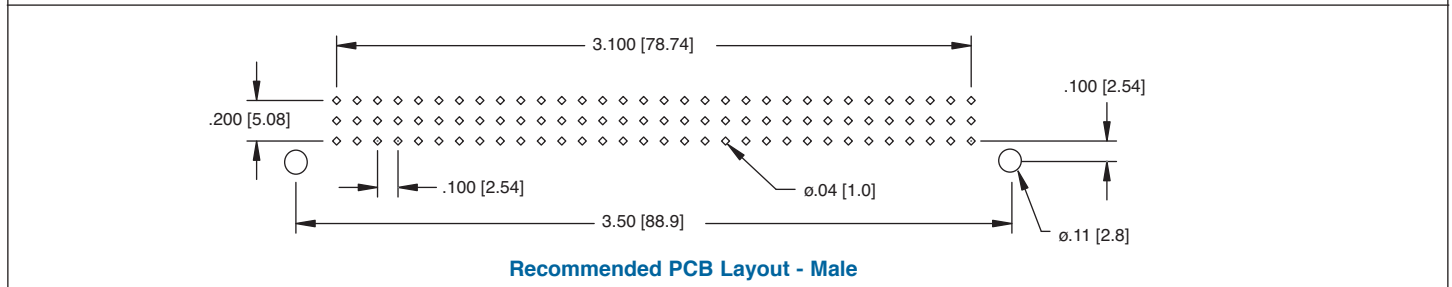
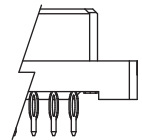
**OPTIONS:**

- Add designator(s) to end of part number
- PF = Press Fit Tails (pg 235)
- HT = Hi-Temp insulator 260°C max.
- BL = Metal board locks in mounting holes
- CI = 30u" Gold over nickel underplate
- CII = 15u" gold over nickel underplate



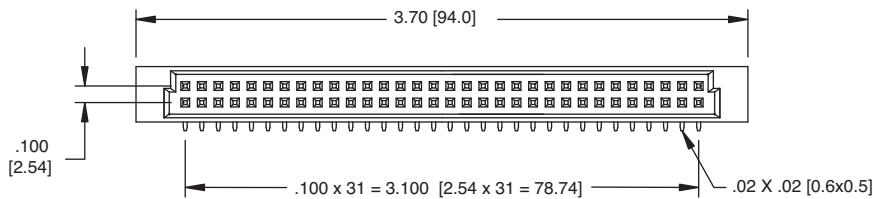
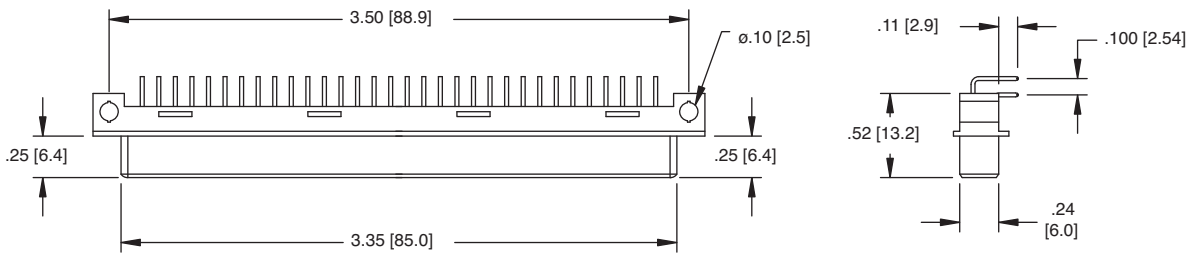
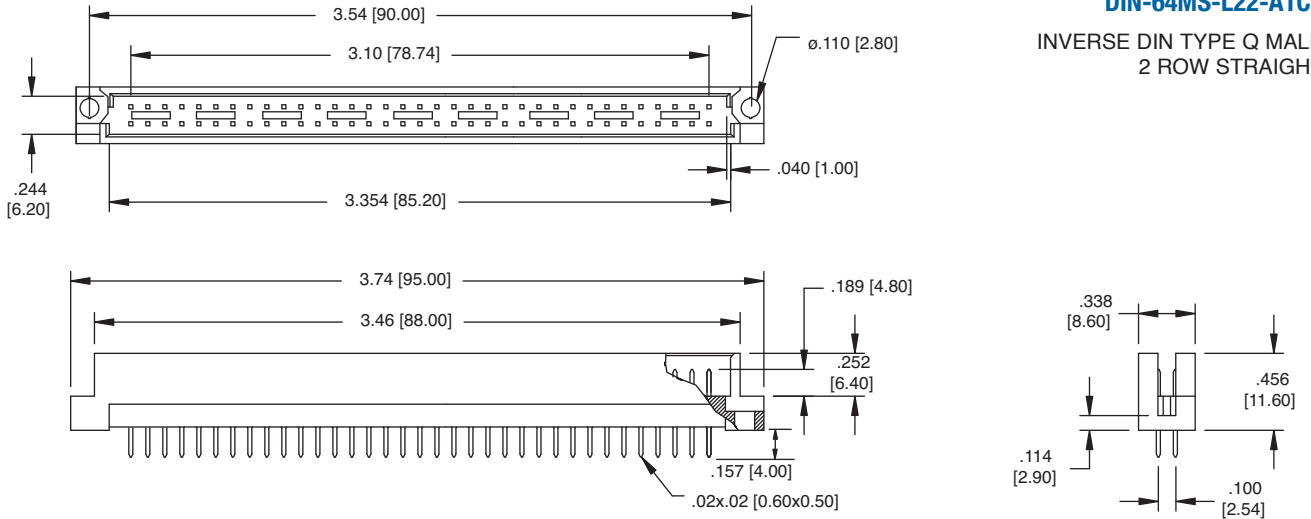


**Press Fit Option**



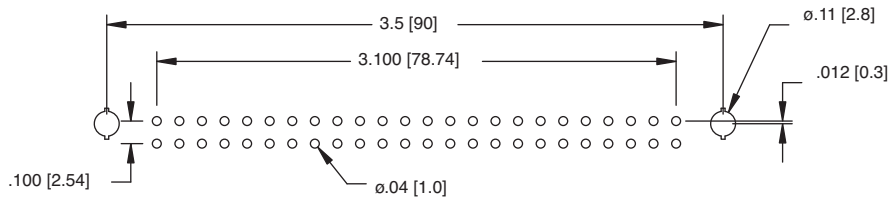
#### DIN-64MS-L22-A1C1

INVERSE DIN TYPE Q MALE  
2 ROW STRAIGHT

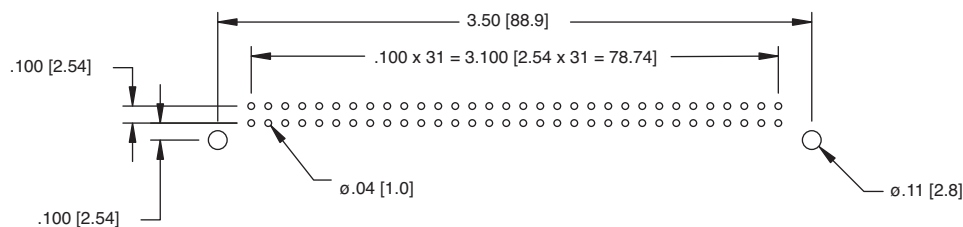


#### DIN-64FR-L22-A3C1

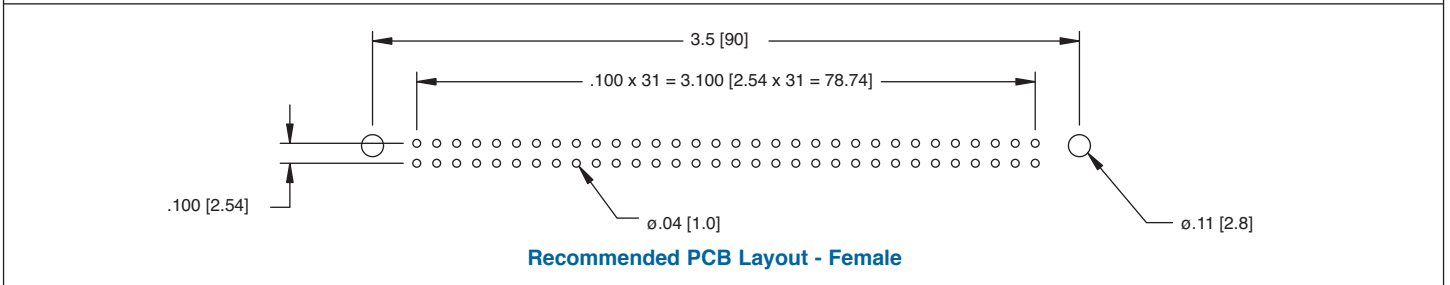
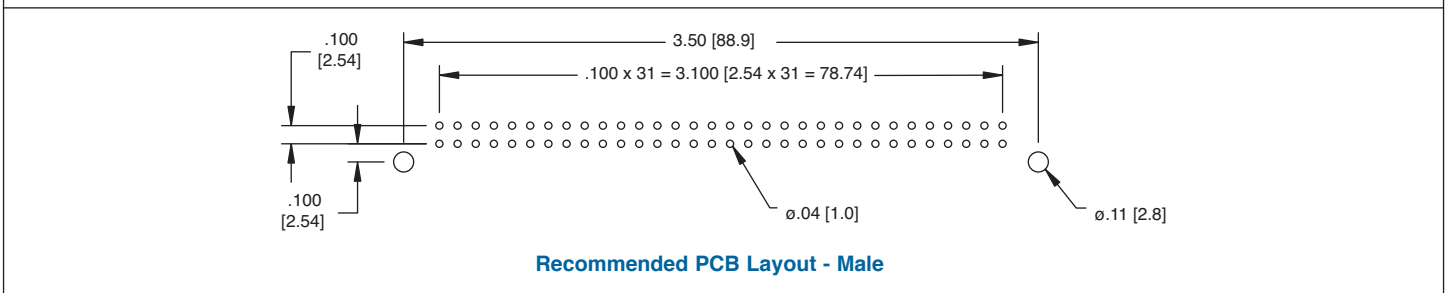
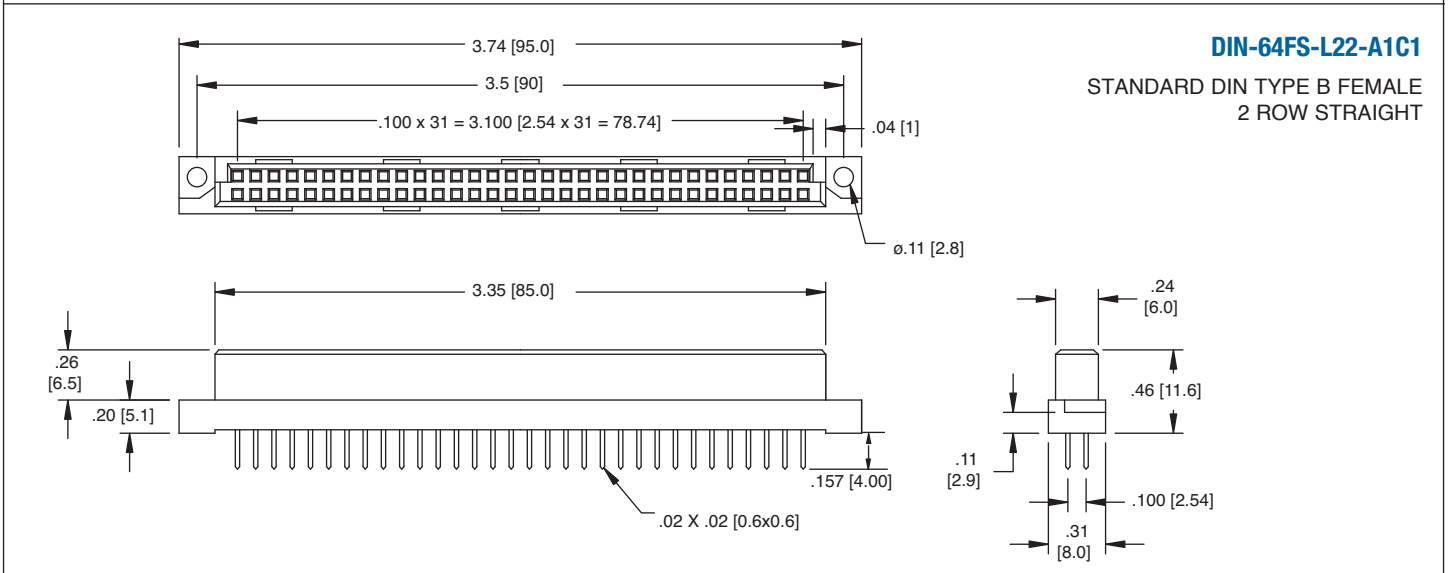
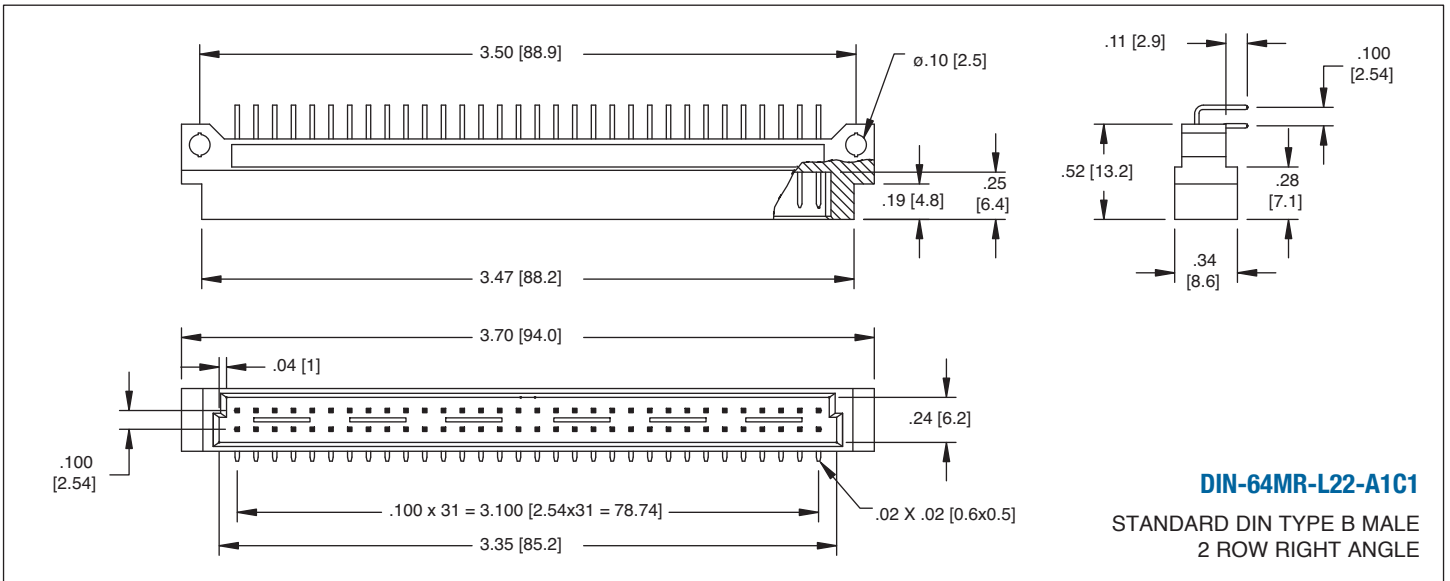
INVERSE DIN TYPE Q FEMALE  
2 ROW RIGHT ANGLE

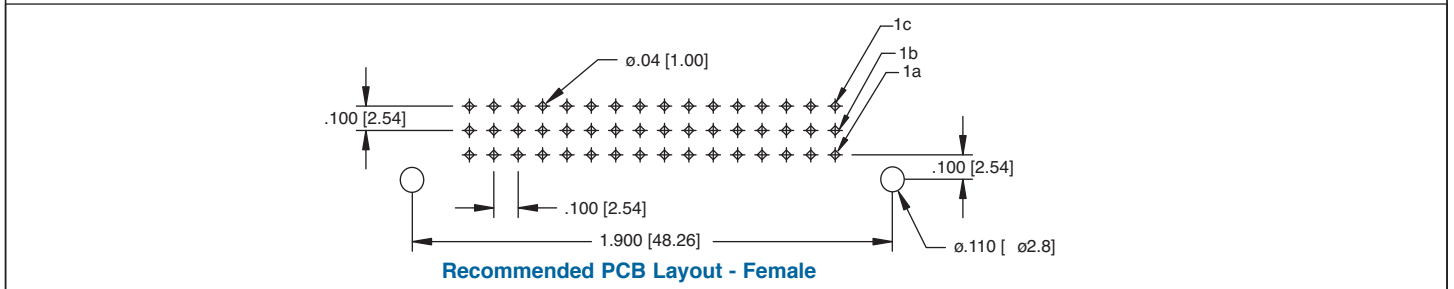
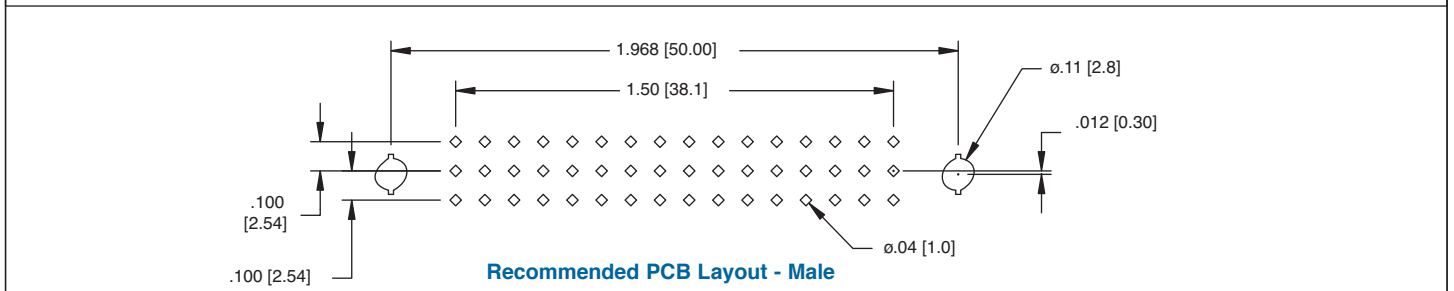
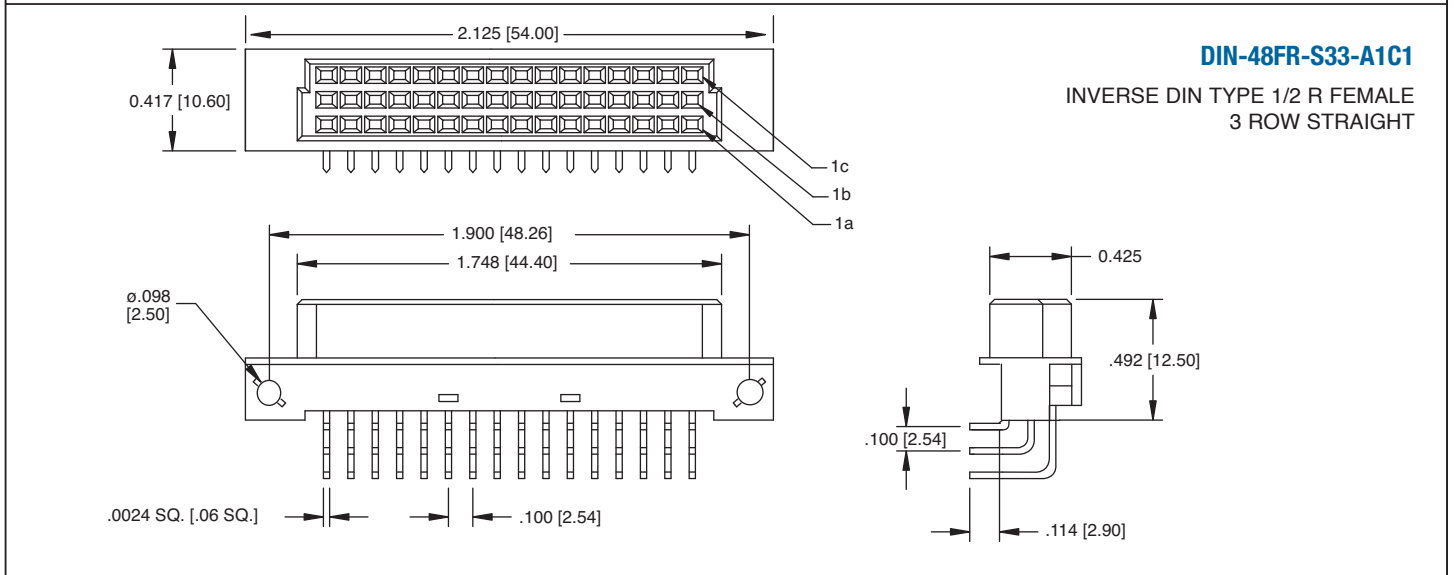
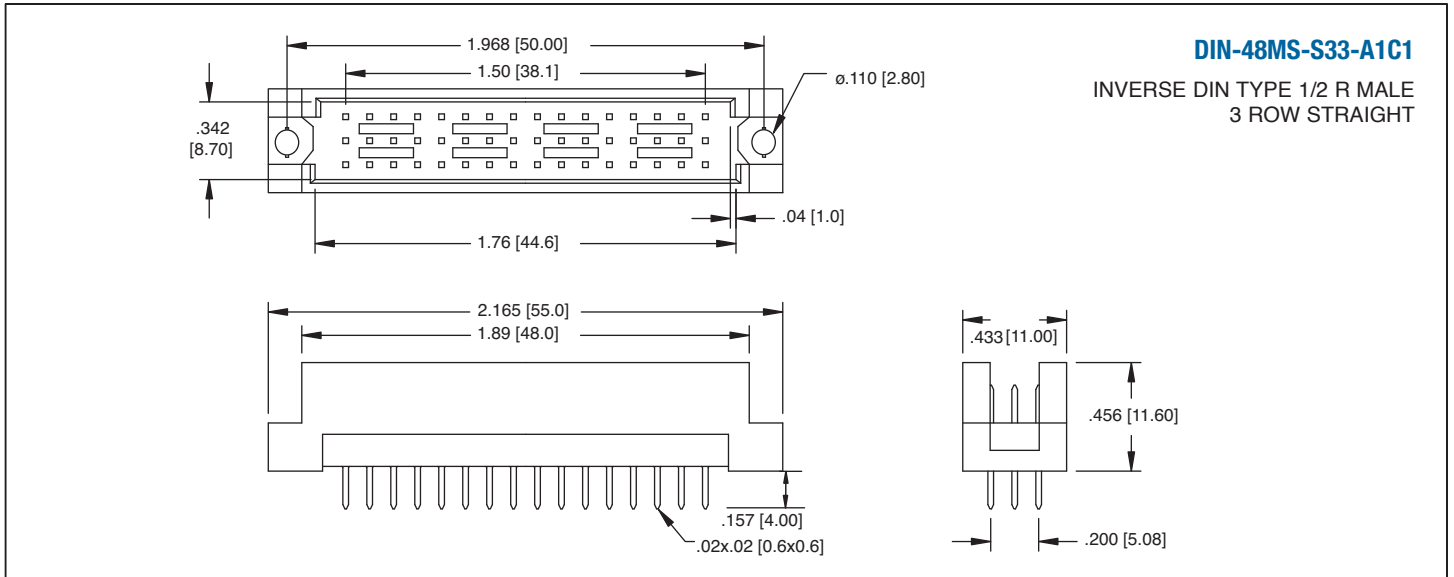


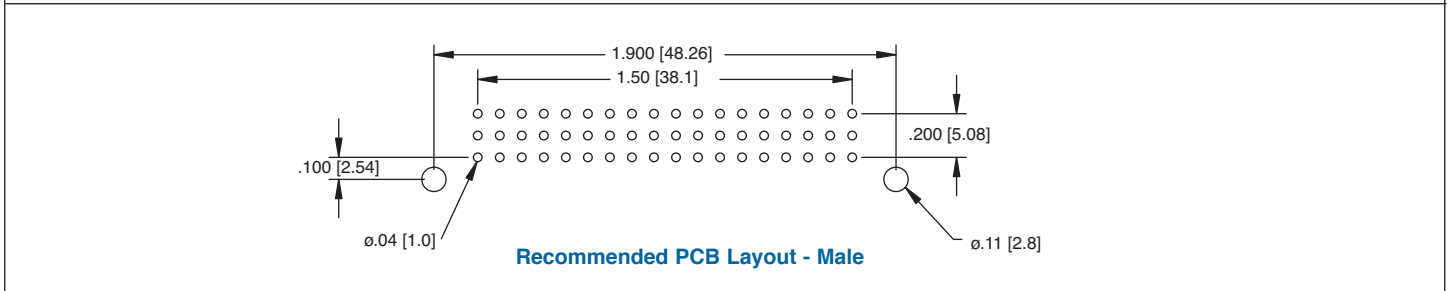
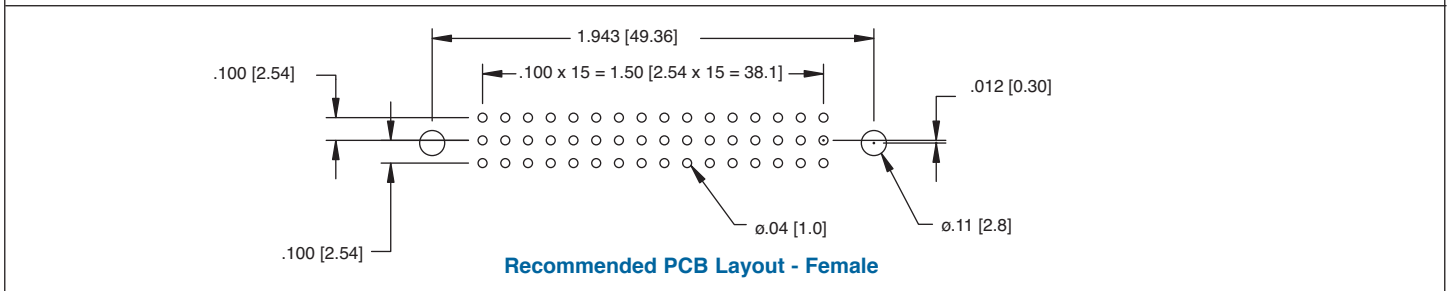
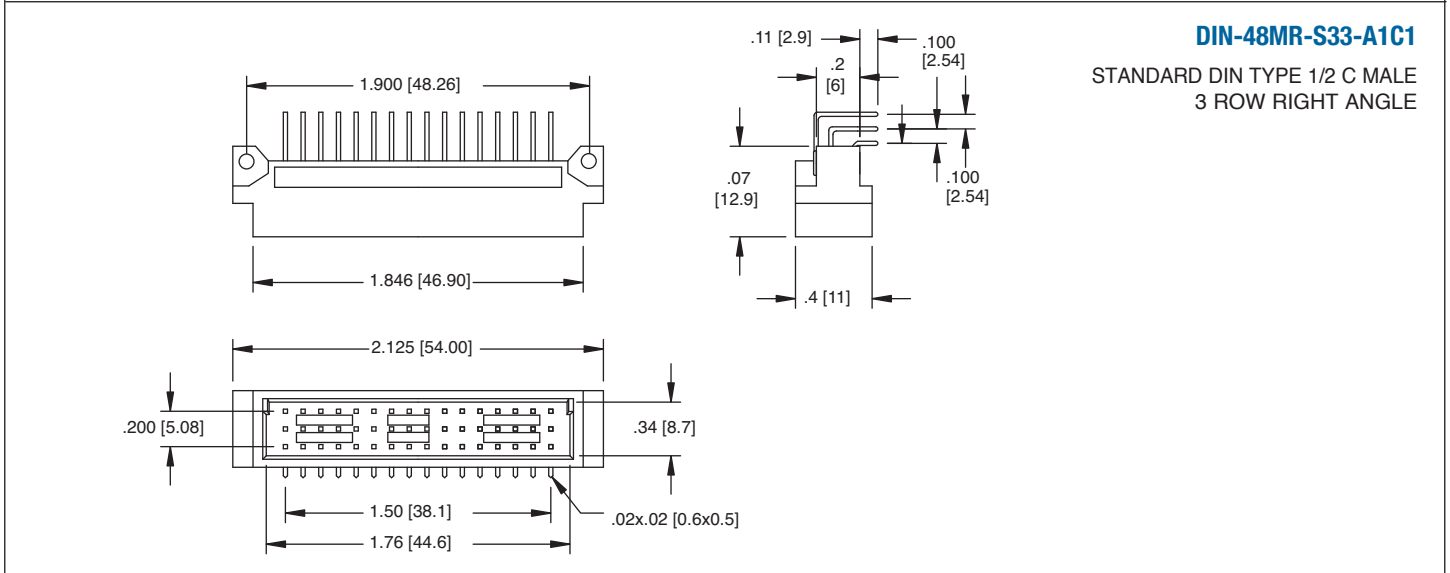
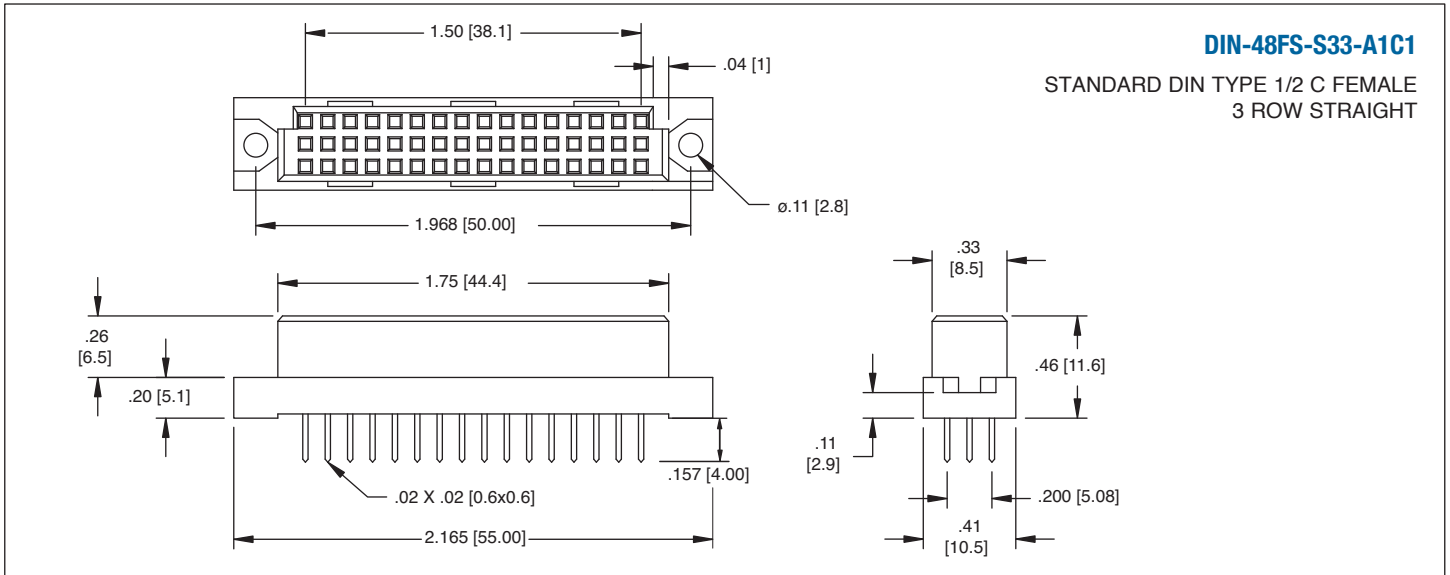
Recommended PCB Layout - Male



Recommended PCB Layout - Female

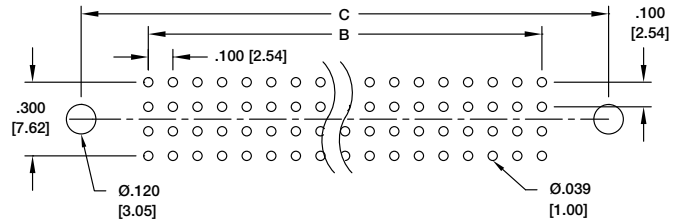
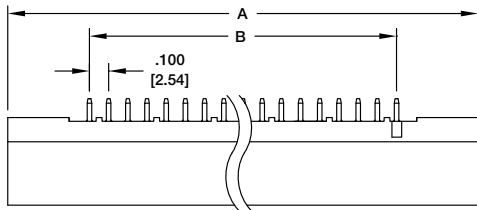




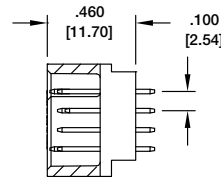
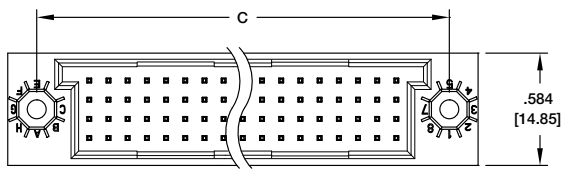


#### DIN-240MS-L44-A1

4 ROW MALE STRAIGHT



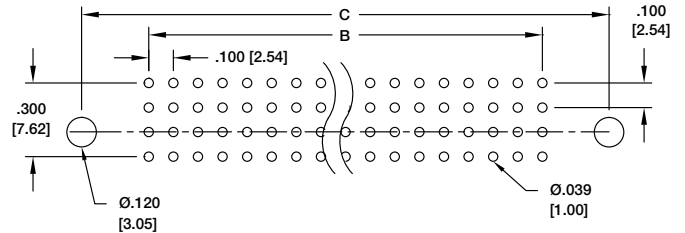
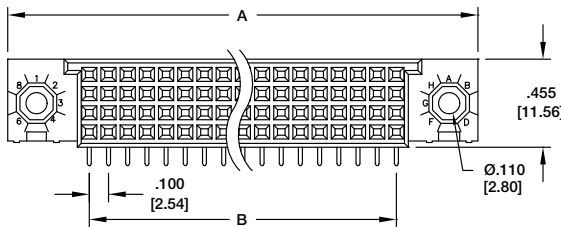
Recommended PCB Layout - Female



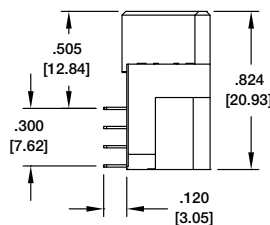
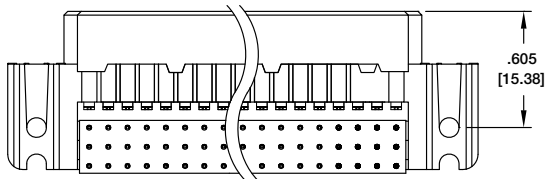
POSITIONS	DIMENSIONS		
	A	B	C
100	3.250 [82.55]	2.400 [60.96]	2.950 [74.93]
128	3.950 [100.33]	3.100 [78.74]	3.650 [92.71]
160	4.750 [120.65]	3.900 [99.06]	4.450 [113.03]
200	5.750 [146.05]	4.900 [124.46]	5.450 [138.43]
240	6.750 [171.45]	5.900 [149.86]	6.450 [163.83]

#### DIN-240FR-L44-A1

4 ROW FEMALE RIGHT ANGLE



Recommended PCB Layout - Female



POSITIONS	DIMENSIONS		
	A	B	C
100	3.250 [82.55]	2.400 [60.96]	2.950 [74.93]
128	3.950 [100.33]	3.100 [78.74]	3.650 [92.71]
160	4.750 [120.65]	3.900 [99.06]	4.450 [113.03]
200	5.750 [146.05]	4.900 [124.46]	5.450 [138.43]
240	6.750 [171.45]	5.900 [149.86]	6.450 [163.83]