

INTRODUCTION

Adam Tech's High Definition Multimedia Interface (HDMI) connectors and cable assemblies are a series of products that provide an uncompressed digital link between video and audio in a single digital interface connection. Typically they are used with digital versatile disc (DVD) players, digital television (DVI) players, set-top boxes and other audiovisual devices to consolidate interfaces and eliminate multiple cable assemblies. Adam Tech's HDMI Series are small, easy to use interconnects that can carry up to 5 Gbps of combined video and audio in a single connector/cable.

FEATURES:

- Sturdy, industry compatible design
- Eliminates multiple connectors and cables
- Up to 5 Gbps in single interface
- Variety of mounting styles
- Fully shielded for ESD protection
- Compact 0.50mm (.019") pitch SMT design

MATING CONNECTORS:

All industry standard HDMI connectors.

SPECIFICATIONS:

MATERIAL:

Insulator: Hi-Temperature thermoplastic, glass filled, rated UL94V-0
Insulator Color: Black
Shell: Phosphor Bronze, Nickel plated
Contacts: Phosphor Bronze

PLATING:

Gold flash over nickel underplate on mating area, tin over copper underplate on tails

ELECTRICAL:

Operating Voltage: 30V AC
Current Rating: 0.5 Amps Max.
Contact Resistance: 10 mΩ Max.
Insulation Resistance: 100 MΩ Min.
Dielectric Withstanding Voltage: 300V AC for 1 Minute

MECHANICAL:

Insertion force: 10.0 lbs max.
Withdrawal force: 2.2 lbs min.

TEMPERATURE RATING:

Operation Temperature: -55°C ~ +85°C

PACKAGING:

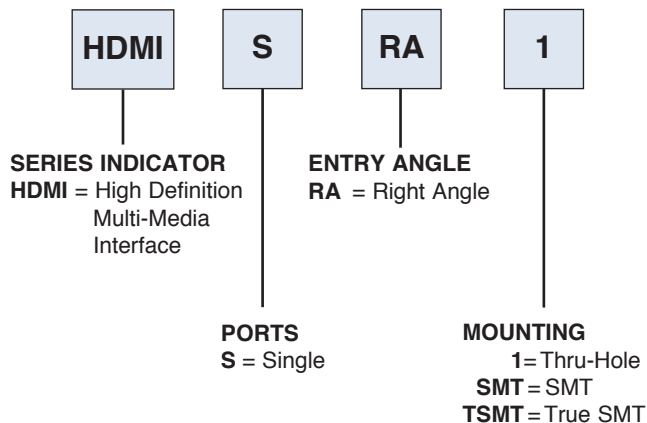
Anti ESD plastic trays or Tubes

APPROVALS AND CERTIFICATIONS:

UL Recognized & CSA Certified, File no. E224053



ORDERING INFORMATION HDMI CONNECTOR

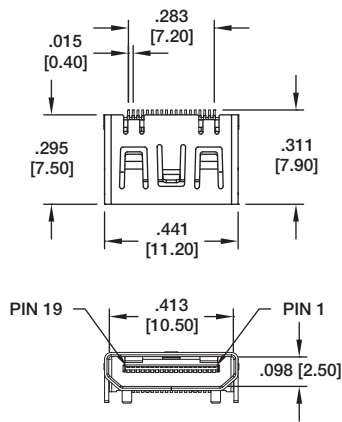


OPTIONS:

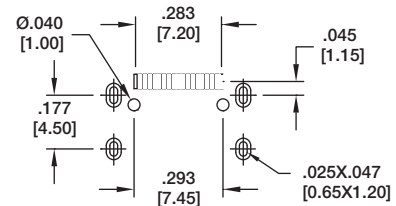
Add designator(s) to end of part number
15 = 15 μin gold plating in contact area
MF = Mounting Flange
R = Reverse Layout



MINI HDMI, RIGHT ANGLE, SMT

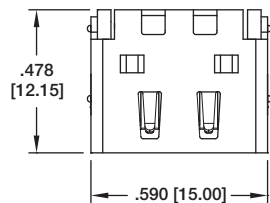


MHDMI-S-RA-1-SMT

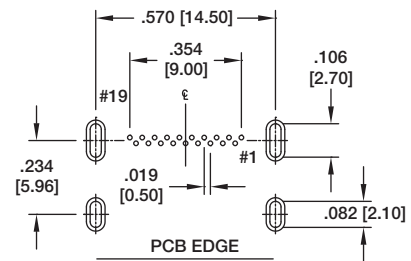
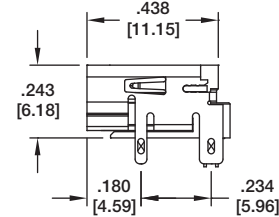
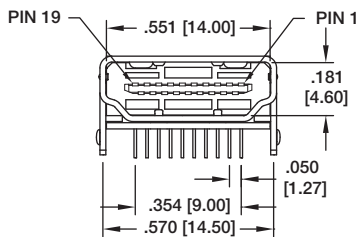


Recommended PCB Layout

RIGHT ANGLE THRU-HOLE

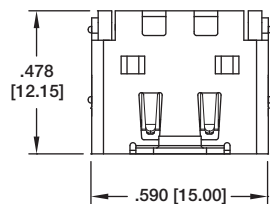


HDMI-S-RA-1

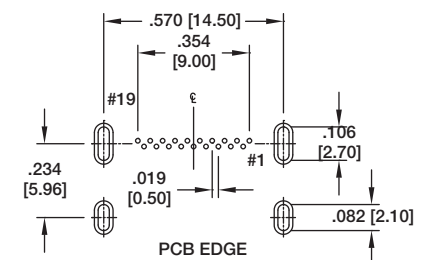
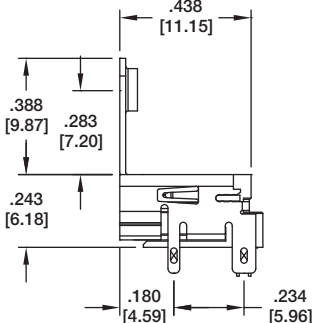
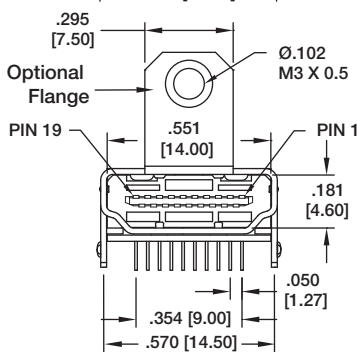


Recommended PCB Layout

HDMI RIGHT ANGLE

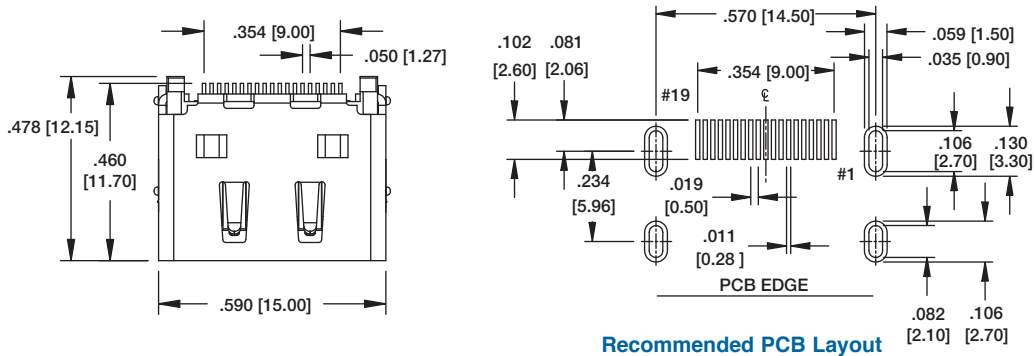


HDMI-S-RA-1-MF

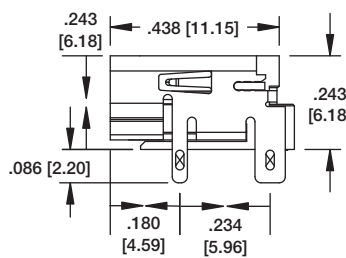
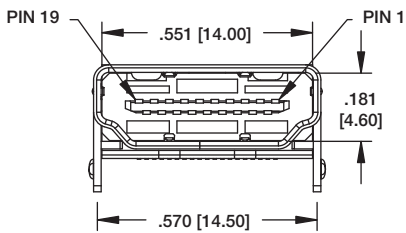


Recommended PCB Layout

RIGHT ANGLE SMT

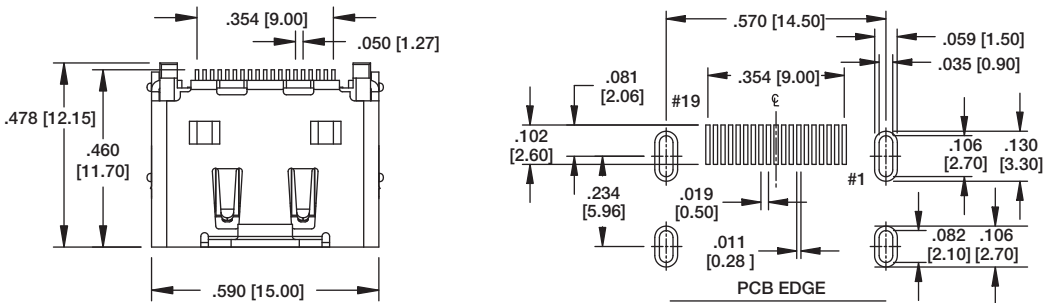


Recommended PCB Layout

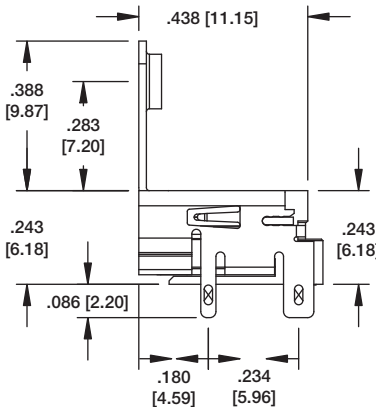
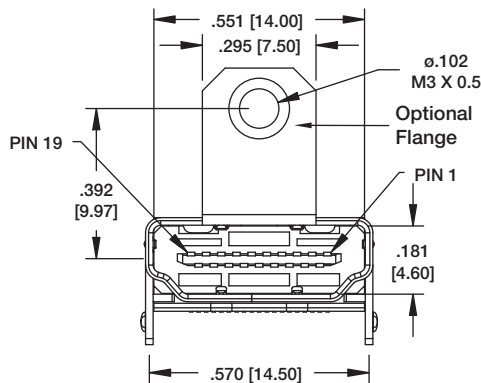


HDMI-S-RA-SMT

RIGHT ANGLE SMT WITH MOUNTING FLANGE

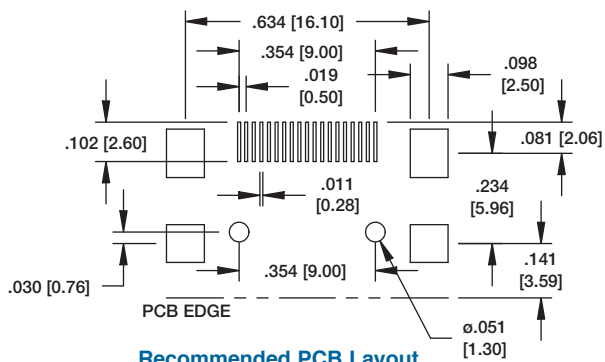
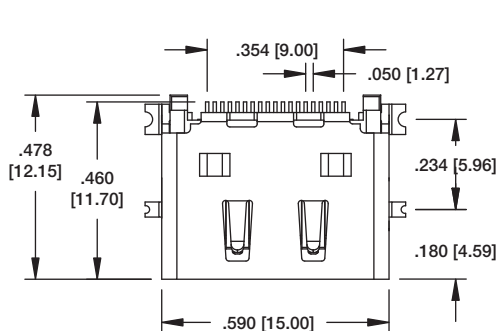


Recommended PCB Layout

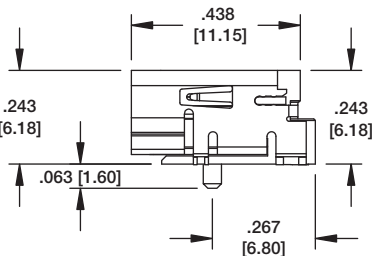
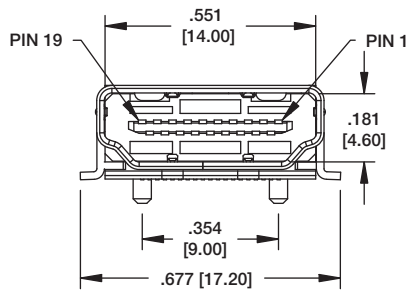


HDMI-S-RA-SMT-MF

RIGHT ANGLE TRUE SMT

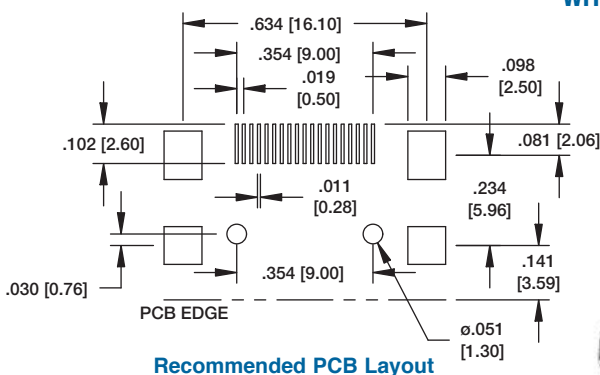
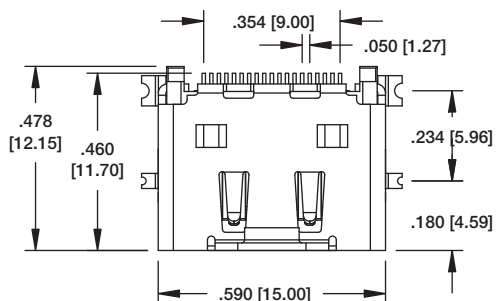


Recommended PCB Layout

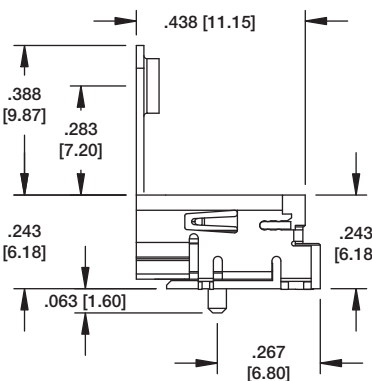
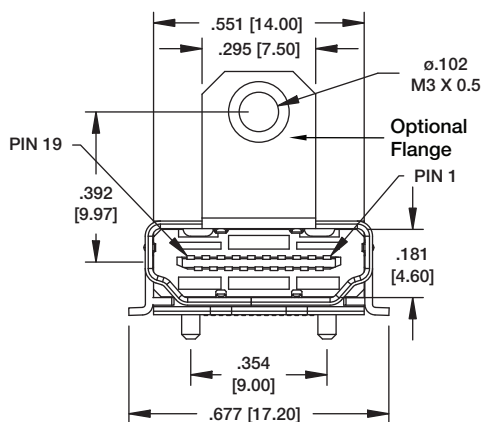


HDMI-S-RA-TSMT

RIGHT ANGLE TRUE SMT WITH MOUNTING FLANGE



Recommended PCB Layout



HDMI-S-RA-TSMT-MF