

INTRODUCTION:

Adam Tech .050" IDC Sockets and Transition Plugs are low profile, precision designed flat cable connectors that feature either .050" x .100" centerlines or .050" x .050" centerlines. These series quickly and easily mass terminate flat cable in one simple step. Our superior contact design provides a smooth, high pressure wiping action to ensure excellent continuity. They are used with a single layer of .025" flat cable. Their small size, light weight and high density make them ideal for compact and limited space applications.

FEATURES:

- .050" x .050" or .050" x .100"
- Low Profile and High Density
- Uses Single layer .025" Flat Cable
- Quickly and easily mass terminates standard Flat Cable
- Smooth High Pressure Wiping Contacts

MATING CONNECTORS:

Adam Tech .050" HBHR series box headers, latch headers or HPH2 series pin headers

SPECIFICATIONS:

Material:

Insulator: PBT, glass reinforced, rated UL94V-0
 Insulator Color: Black
 Contacts: Phosphor Bronze

Contact Plating:

Tin over copper underplate overall

Electrical:

Operating voltage: 250V AC max.
 Current rating: 1 Amp max.
 Contact resistance: 20 mΩ max. Initial
 Insulation resistance: 5000 MΩ min.
 Dielectric withstanding voltage: 1000V AC for 1 minute

Mechanical:

Insertion force: 0.312 lbs per contact max.
 Withdrawal force: 0.094 lbs per contact min.
 Recommended wire size: 28 Awg stranded
 Cable retention: 22 lbs. min axial force per inch.
 Mating durability: 500 cycles min.

Temperature Rating:

Operating temperature: -40°C to +105°C

PACKAGING:

Anti-ESD plastic trays

SAFETY AGENCY APPROVALS:

UL Recognized & CSA Certified, File no. E224053



ORDERING INFORMATION



SERIES INDICATOR

- HFCS** = Low profile .050" x .100" IDC Socket for single layer .025" Flat Cable
- HFCS-A** = Low profile .050" x .050" IDC Socket for single layer .025" Flat Cable
- HFTR** = .050" Transition plug
- HFDP** = .050" Paddleboard Connector for single layer .025" Flat Cable
- FDH** = 4 Row Transition plug

PLATING

- SG** = Selective gold plating in contact area, nickel plating in termination area
- T** = Tin plated (HFDP & FDH only)

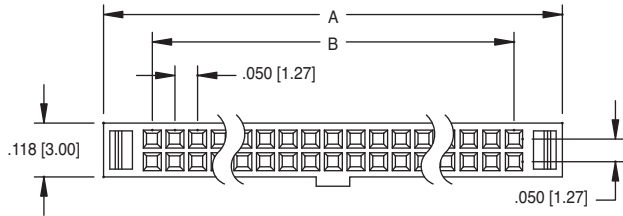
POSITIONS

- HFCS:** 10, 20, 30, 40, 50, 60, 70, 80, 90, 100
- HFCS-A:** 10, 20, 26, 34, 40, 50
- HFDP:** 30, 50, 68, 72, 80, 100
- HFTR:** 10, 12, 14, 16, 20, 22, 26, 30, 34, 40, 44, 50
- FDH:** 10, 14, 16, 20, 26, 34, 40, 50, 60

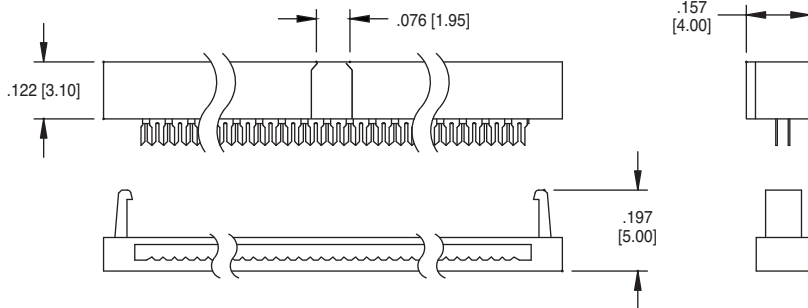
OPTIONS

Add designator(s) to end of part number
N = No polarization bump (HFCS series)

HFCS-A .050" X .050"

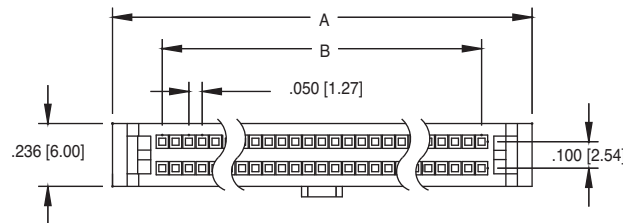


HFCS-A-34-SG

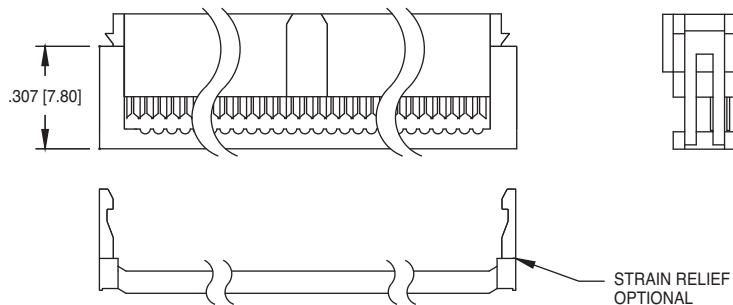


PART No. & POSITIONS	DIMENSIONS	
	A	B
HFCS-A-10 SG	.450 [5.08]	.413 [10.50]
HFCS-A-20 SG	.450 [11.43]	.665 [16.90]
HFCS-A-26 SG	.600 [15.24]	.815 [20.70]
HFCS-A-34 SG	.800 [20.32]	1.016 [25.80]
HFCS-A-40 SG	.950 [24.13]	1.165 [29.60]
HFCS-A-50 SG	1.200 [30.48]	1.413 [35.90]

HFCS .050" X .100"



HFCS-40-SG



PART No. & POSITIONS	Dimensions	
	A	B
HFCS-10 SG	0.437 [5.08]	0.200 [11.10]
HFCS-20 SG	0.687 [11.43]	0.450 [17.45]
HFCS-30 SG	0.937 [17.78]	0.700 [23.80]
HFCS-40 SG	1.187 [24.13]	0.950 [30.15]
HFCS-50 SG	1.437 [30.48]	1.200 [36.50]
HFCS-60 SG	1.687 [36.83]	1.450 [42.85]
HFCS-70 SG	1.937 [43.18]	1.700 [49.20]
HFCS-80 SG	2.187 [49.53]	1.950 [55.55]
HFCS-90 SG	2.437 [55.88]	2.200 [61.90]
HFCS-100 SG	2.687 [62.23]	2.450 [68.25]

HFTR connector dimensions: .118 [3.00], .126 [3.20], .185 [4.70].

Recommended PCB Layout

Dimensions: A, B, .050 [1.27], $\phi .027$ [0.70].

TERMINATED HEIGHT: .200 [5.10]

Bottom width: .118 [3.00]

HFTR

HFTR-26-T

Part No.	A		B	
	in	mm	in	mm
HFTR-10	.413	10.50	.200	5.08
HFTR-12	.464	11.80	.250	6.35
HFTR-14	.515	13.10	.300	7.62
HFTR-16	.563	14.30	.350	8.89
HFTR-20	.665	16.90	.450	11.43
HFTR-22	.712	18.10	.500	12.70
HFTR-26	.815	20.70	.600	15.24
HFTR-30	.917	23.30	.700	17.78
HFTR-34	1.015	25.80	.800	20.32
HFTR-40	1.165	29.60	.950	24.13
HFTR-44	1.263	32.10	1.050	26.67
HFTR-50	1.413	35.90	1.200	30.48

HFDP connector dimensions: .303 [7.70], .075 [1.90], .075 [1.90], .075 [1.90], .050 [1.27], .100 [2.54].

Recommended PCB Layout

Dimensions: A, B, .075 [1.90], .075 [1.90], $\phi .032$ [0.81], .050 [1.27], .100 [2.54], .075 [1.90].

TERMINATED HEIGHT: .280 [7.10]

Bottom width: .303 [7.70]

HFDP

HFDP-80-T

Part No.	A		B	
	in	mm	in	mm
HFDP-30-T	0.938	23.83	0.700	17.78
HFDP-50-T	1.438	36.53	1.200	30.48
HFDP-68-T	1.888	47.96	1.650	41.91
HFDP-80-T	2.188	55.58	1.950	49.53
HFDP-100-T	2.688	68.28	2.450	62.23

FDH connector dimensions: .157 [4.00], .228 [5.80] AFTER ASSEMBLY, .394 [10.00], .300 [7.62], .050 [1.27], .100 [2.54].

Pin size: .024 x .012 [0.60 x 0.30]

Recommended PCB Layout

Dimensions: A, B, .100 [2.54], .300 [7.62], .050 [1.27], $\phi .039$ [1.00].

FDH

FDH-34-T

Part No.	A		B	
	in	mm	in	mm
FDH-10-T	.689	17.50	.450	11.43
FDH-14-T	.889	22.58	.650	16.51
FDH-16-T	.989	25.12	.750	19.05
FDH-20-T	1.189	30.20	.950	24.13
FDH-26-T	1.489	37.82	1.250	31.75
FDH-34-T	1.889	47.98	1.650	41.91
FDH-40-T	2.189	55.60	1.950	49.53
FDH-50-T	2.689	68.30	2.450	62.23
FDH-60-T	3.189	81.00	2.950	74.93

2.00mm IDC SOCKET & TRANSITION PLUG

.079" [2.00 X 2.00] CENTERLINE
2FCS & 2FTR SERIES

INTRODUCTION:

Adam Tech 2FCS Series 2.00mm IDC Sockets are low profile, precision designed flat cable sockets that feature 2.00mm pin to pin and row to row centerlines. These sockets quickly and easily mass terminate flat cable in one simple step. Their versatility allows them to mate with a multitude of 2.00mm pin headers. Our superior selectively gold plated contact design provides a smooth, high pressure wiping action to ensure excellent continuity. They are used with a single layer of 1.00mm flat cable. Their small size, light weight and high density make them ideal for compact and limited space applications.

FEATURES:

Low Profile and High Density
Uses Single layer 1.00mm Flat Cable
Quickly and easily mass terminates standard Flat Cable

MATING CONNECTORS:

Adam Tech 2.0mm 2BHR series box headers, 2MHR latch headers and 2PH series pin headers

SPECIFICATIONS:

Material:

Insulator: PBT, glass reinforced, rated UL94V-0
Insulator Color: Black
Contacts: Phosphor Bronze

Contact Plating:

Gold flash (30 μ in optional) over nickel underplate on contact area, tin over copper underplate on IDC area

Electrical:

Operating voltage: 250V AC max.
Current rating: 1 Amp max.
Contact resistance: 20 m Ω max. initial
Insulation resistance: 3000 M Ω min.
Dielectric withstanding voltage: 500V AC for 1 minute

Mechanical:

Insertion force: 0.661 lbs per contact max.
Withdrawal force: 0.044 lbs per contact min.
Recommended wire size: 30 - 28 Awg stranded
Cable retention: 24 lbs. min axial force per inch.
Mating durability: 500 cycles min.

Temperature Rating:

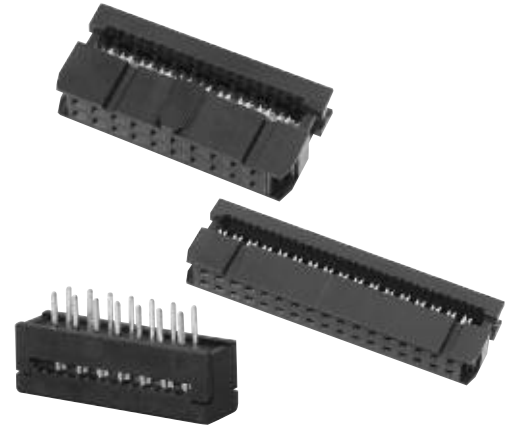
Operating temperature: -40°C to +105°C

PACKAGING:

Anti-ESD plastic trays

SAFETY AGENCY APPROVALS:

UL Recognized & CSA Certified, File no. E224053



ORDERING INFORMATION

2FCS

40

SG

SERIES INDICATOR

2FCS = 2.00mm
Flat Cable
IDC Socket

2FTR = 2.00mm
Flat Cable
Transition Plug

PLATING OPTIONS

SG = Selectively
Gold-Plated

POSITIONS

2FCS:

06, 08, 10, 12, 14, 16, 18, 20, 22,
24, 26, 34, 36, 40, 44, 50, 60, 68

2FTR:

08, 10, 12, 14, 16, 20, 22, 24, 26,
30, 34, 40, 44, 50, 68

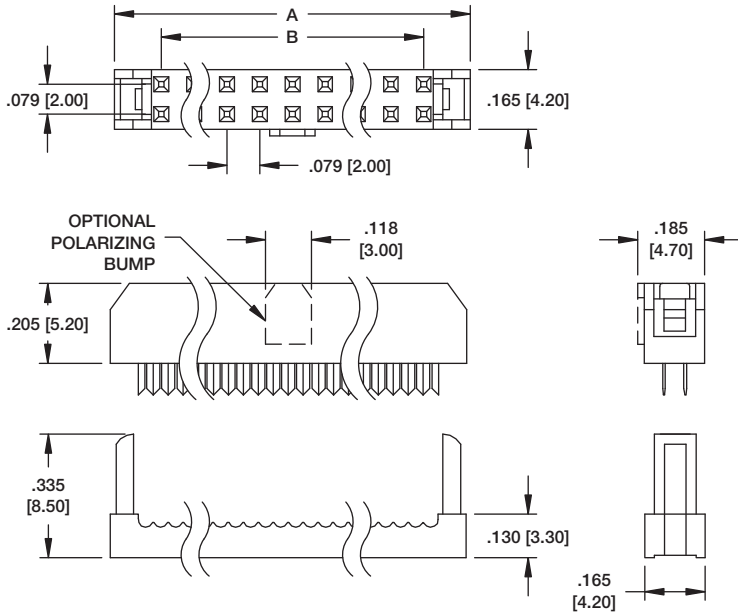
NOTE:

Mating Box Headers for 2FCS series located on page 284-285

OPTIONS:

Add designator(s) to end of part number
30 = 30 μ in gold plating in contact area
PB = Polarizing bump

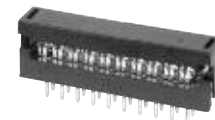
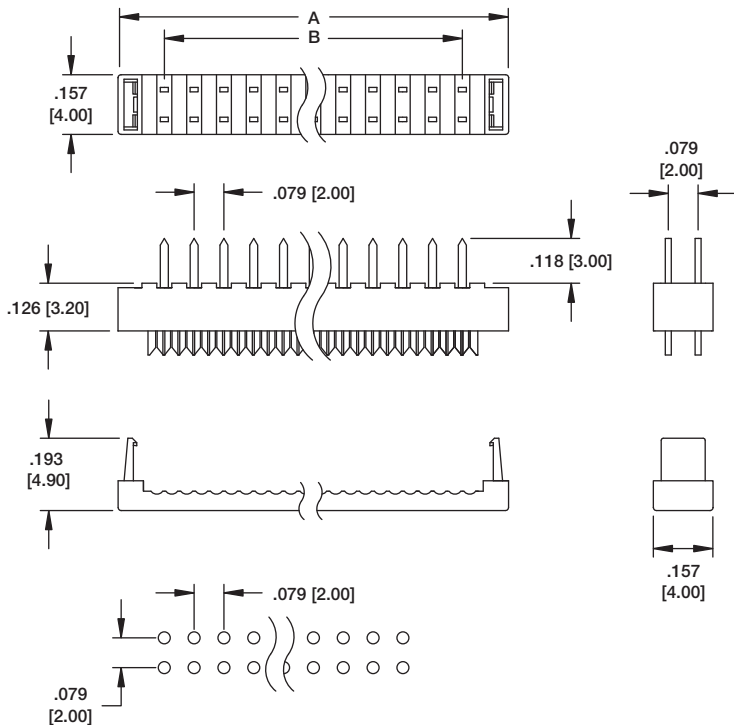
2FCS



2FCS-20-SG

PART No. & POSITIONS	DIMENSIONS	
	A	B
2FCS-20-SG	.992 [25.10]	.709 [18.00]
2FCS-22-SG	1.071 [27.20]	.787 [20.00]
2FCS-24-SG	1.150 [29.20]	.866 [22.00]
2FCS-26-SG	1.228 [31.00]	.945 [24.00]
2FCS-34-SG	1.543 [39.20]	1.260 [32.00]
2FCS-36-SG	1.622 [41.20]	1.339 [34.00]
2FCS-40-SG	1.780 [45.10]	1.496 [38.00]
2FCS-44-SG	1.937 [49.20]	1.654 [42.00]
2FCS-50-SG	2.773 [55.10]	1.890 [48.00]
2FCS-60-SG	2.567 [65.20]	2.283 [58.00]
2FCS-68-SG	2.882 [73.20]	2.598 [66.00]

2FTR



2FTR-20-T

PART No. & POSITIONS	DIMENSIONS	
	A	B
2FTR-08-T	.480 [12.20]	.236 [6.00]
2FTR-10-T	.559 [14.20]	.315 [8.00]
2FTR-12-T	.637 [16.20]	.3937 [10.00]
2FTR-14-T	.716 [18.20]	.472 [12.00]
2FTR-16-T	.795 [20.20]	.551 [14.00]
2FTR-20-T	.952 [24.20]	.629 [16.00]
2FTR-22-T	1.031 [26.20]	.708 [18.00]
2FTR-24-T	1.110 [28.20]	.866 [22.00]
2FTR-26-T	1.189 [30.20]	.945 [24.00]
2FTR-34-T	1.503 [38.20]	1.260 [32.00]
2FTR-40-T	1.740 [44.20]	1.496 [38.00]
2FTR-44-T	1.897 [48.20]	1.654 [42.00]
2FTR-50-T	2.133 [54.20]	1.890 [48.00]
2FTR-68-T	2.842 [72.20]	2.598 [66.00]

Recommended PCB Layout

INTRODUCTION:

Adam Tech FCS Series .100" IDC Sockets are extremely popular, low profile, precision designed flat cable sockets that feature .100" pin to pin and row to row centerlines. These sockets quickly and easily mass terminate flat cable in one simple step. Their versatility allows them to mate with a multitude of .025" sq. post pin headers. Our superior selectively gold plated contact design provides a smooth high pressure wiping action to ensure excellent continuity. They are used with a single layer of .050" flat cable. Their small size, light weight, low cost and high density make them ideal for use in many applications.

FEATURES:

Choice of Single or Dual beam contact design
Low Profile and High Density
Uses Single layer .050" standard Flat Cable
Quickly and easily mass terminates Flat Cable
Smooth High Pressure Wiping Contacts

MATING CONNECTORS:

Adam Tech .100" BHR series box headers and PH2 series pin headers

SPECIFICATIONS:

Material:

Insulator: PBT, glass reinforced, rated UL94V-0
Insulator Color: Black
Contacts: Phosphor Bronze

Contact Plating:

Gold flash (30 μ in optional) over nickel underplate on contact area, tin over copper underplate on IDC area

Electrical:

Operating voltage: 250V AC max.
Current rating: 1 Amp max.
Contact resistance: 30 m Ω max. initial
Insulation resistance: 1000 M Ω min.
Dielectric withstanding voltage: 500V AC for 1 minute

Mechanical:

Insertion force: FCS-D2: 0.5 lbs per contact max.
Withdrawal force: FCS-D2: 0.094 lbs per contact min.
Recommended wire size: 28 Awg stranded
Cable retention: 28 lbs. min axial force per inch.
Mating durability: 500 cycles min.

Temperature Rating:

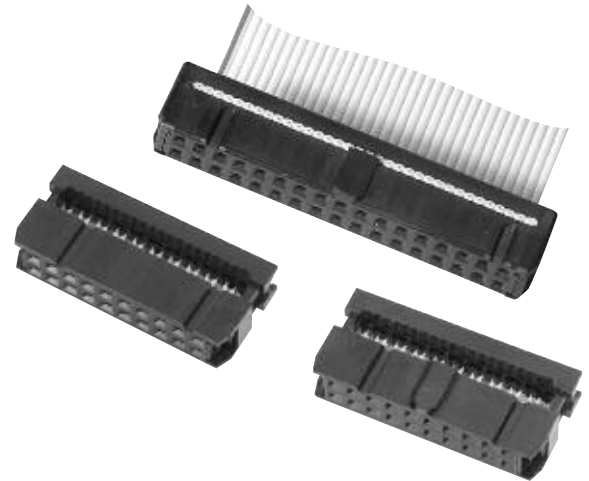
Operating temperature: -40°C to +105°C

PACKAGING:

Anti-ESD plastic trays

SAFETY AGENCY APPROVALS:

UL Recognized & CSA Certified, File no. E224053



ORDERING INFORMATION

FCS

50

SG

SERIES INDICATOR

FCS = Flat Cable
IDC Socket
with standard
single wipe
contacts

FCS-D2 = Flat cable
IDC socket
with dual
wipe contacts

PLATING

SG = Selective
gold plating

POSITIONS

06, 08, 10, 12, 14, 16, 20,
24, 26, 30, 34, 40, 44, 50,
56, 60, 62, 64

Note: Mating box headers
for this series
located on page 299

STRAIN RELIEF:

FSR-XX (XX = No. of Positions)

PULL TABS:

PT-XX (No. of positions)

KEYING PLUGS:

FCS-K (Key plugs can also be molded into connector,
consult factory)

OPTIONS:

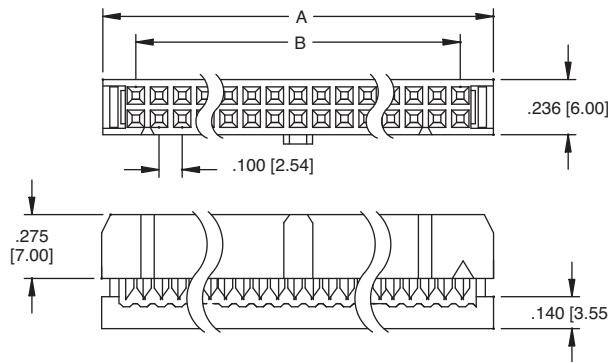
Add designator(s) to end of part number

30 = 30 μ in gold in contact area

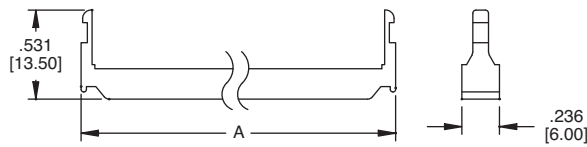
GY = Gray color insulator

N = No polarization bump

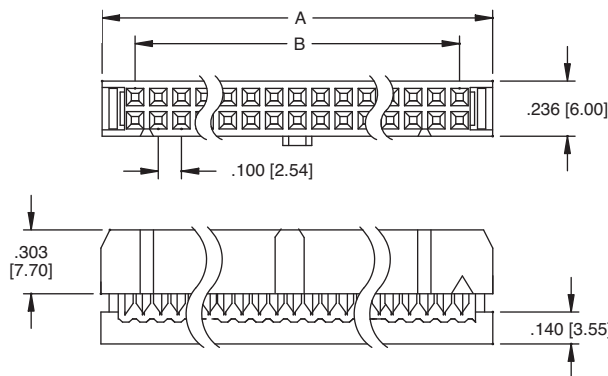
**FCS
SINGLE WIPE CONTACT**



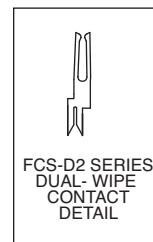
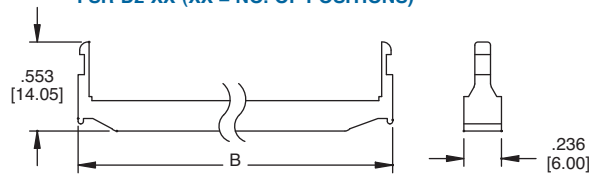
**FCS STRAIN RELIEF:
FSR-XX (XX = NO. OF POSITIONS)**



**FCS-D2
DUAL WIPE CONTACT**



**FCS-D2 STRAIN RELIEF:
FSR-D2-XX (XX = NO. OF POSITIONS)**



DIMENSIONS

POSITIONS	6	8	10	12	14	16	20	24	26	30	34	40	44	50	56	60	62	64
B	0.200 [5.08]	0.300 [7.62]	0.400 [10.16]	0.500 [12.70]	0.600 [15.24]	0.700 [17.78]	0.900 [22.86]	1.100 [27.94]	1.200 [30.48]	1.400 [35.56]	1.600 [40.64]	1.900 [48.26]	2.100 [53.34]	2.400 [60.96]	2.700 [68.58]	2.900 [73.66]	3.000 [76.20]	3.100 [78.74]
A	0.480 [12.19]	0.580 [14.73]	0.680 [17.27]	0.780 [19.81]	0.880 [22.35]	0.980 [24.89]	1.180 [29.97]	1.380 [35.05]	1.480 [37.59]	1.680 [42.67]	1.880 [47.75]	2.180 [55.37]	2.380 [60.45]	2.680 [68.07]	2.980 [75.69]	3.180 [80.77]	3.280 [83.31]	3.380 [85.85]

INTRODUCTION:

Adam Tech FCE Series IDC Card Edge Connectors are designed to quickly and easily mass terminate .050" flat cable and mate directly with the plated fingers of a PCB as a card edge connector. Our superior designed crimp cap features guides to reduce occurrence of mis-mating and our specially engineered contacts provide strong wiping action and high retention to the PCB.

FEATURES:

Available with or without mounting ears
Special "easy fit" cap reduces mis-mating
High Retention to PCB
Selectively Gold plated Bifurcated contacts

MATING OPTIONS:

Printed circuit boards with a thickness of .058" to .070"

SPECIFICATIONS:

Material:

Insulator: PBT, glass reinforced, rated UL94V-0
Insulator Color: Black, (Gray optional)
Contacts: Phosphor Bronze

Contact Plating:

Gold flash (30 μ in optional) over nickel underplate on contact area, tin over copper underplate on IDC area

Electrical:

Operating voltage: 250V AC max.
Current rating: 1 Amp max.
Contact resistance: 30 m Ω max. initial
Insulation resistance: 1000 M Ω min.
Dielectric withstanding voltage: 500V AC for 1 minute

Mechanical:

PCB Insertion force: 0.406 lbs per contact max.
With .062 thick board
Withdrawal force: 0.312 lbs per contact min.
With .062 thick board

Recommended wire size: 28 Awg stranded
Cable retention: 28 lbs. min axial force per inch.
Mating durability: 500 cycles min.

Temperature Rating:

Operating temperature: -40°C to +105°C

PACKAGING:

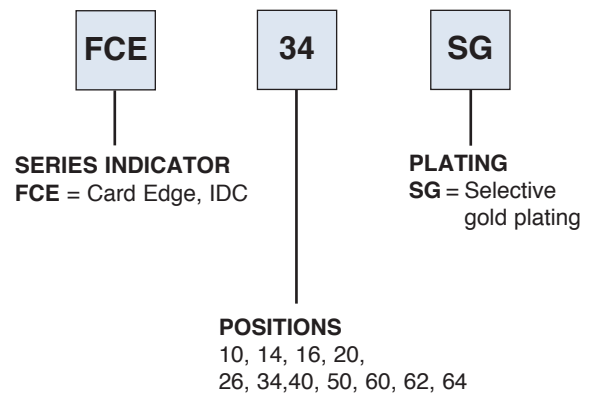
Anti-ESD plastic trays

SAFETY AGENCY APPROVALS:

UL Recognized & CSA Certified, File no. E224053



ORDERING INFORMATION



STRAIN RELIEF:

FCE - XX (XX= No. of Positions)

KEYING PLUGS:

FCE-K (Key plugs can also be molded into connector, consult factory)

OPTIONS:

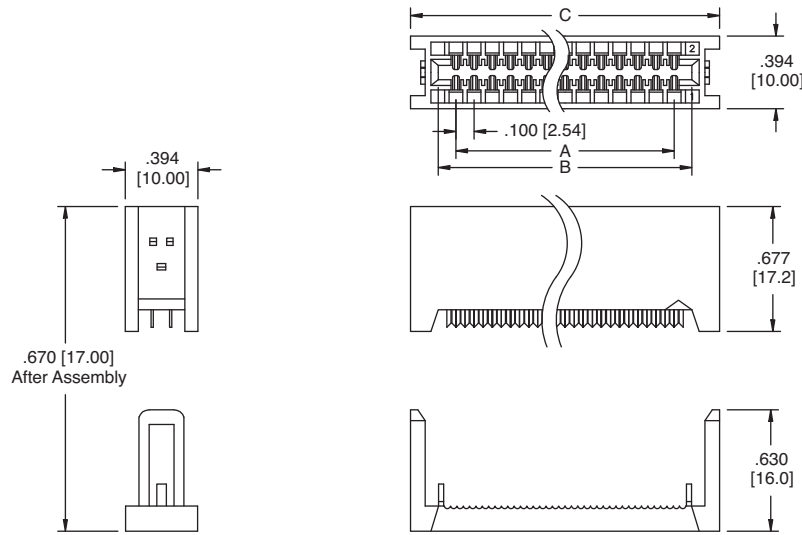
Add designator(s) to end of part number

30 = 30 μ in gold plating in contact area

GY = Gray color insulator

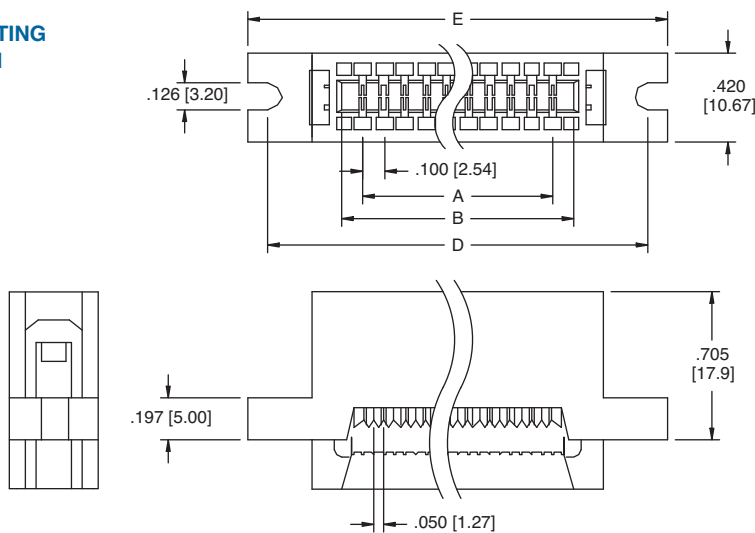
E = Mounting ears with slotted mounting holes

FCE



FCE-20-SG

FCE WITH MOUNTING EAR OPTION



FCE-20-SG-E

DIMENSIONS											
POSITIONS	10	14	16	20	26	34	40	50	60	62	64
A	.400 [10.16]	.600 [15.24]	.700 [17.78]	.900 [22.86]	1.200 [22.86]	1.600 [40.64]	1.900 [48.26]	2.400 [60.96]	2.900 [73.66]	3.000 [76.20]	3.100 [78.74]
B	.604 [15.34]	.804 [20.42]	.904 [22.96]	1.1040 [28.04]	1.404 [35.66]	1.804 [45.82]	2.104 [53.44]	2.604 [66.14]	3.104 [78.84]	3.204 [81.38]	3.304 [83.92]
C	.872 [22.15]	1.072 [27.23]	1.172 [29.77]	1.372 [34.85]	1.672 [42.47]	2.072 [52.63]	2.372 [60.25]	2.872 [72.95]	3.372 [85.65]	3.472 [88.19]	3.304 [90.73]
D	1.300 [33.02]	1.500 [38.10]	1.600 [40.64]	1.800 [45.72]	2.100 [53.34]	2.500 [63.50]	2.800 [71.12]	3.300 [83.82]	3.800 [96.52]	N / A	4.000 [101.60]
E	1.500 [38.10]	1.700 [43.18]	1.800 [45.72]	2.000 [50.80]	2.300 [58.42]	2.700 [68.58]	3.000 [76.20]	3.500 [88.90]	4.000 [101.60]	N / A	4.200 [106.68]

INTRODUCTION:

Adam Tech FCP Series IDC Box Headers are designed to quickly and easily mass terminate to .050" flat cable. The IDC termination is converted to a Shrouded Box Header output with a polarizing slot that mates with standard IDC sockets. This connector is ideal for splicing and making "T" taps to a cable bus. Adam Tech's sturdy design features solid, selectively gold plated .025"sq. copper alloy posts.

FEATURES:

IDC Flat Cable to Shrouded Box Header
Mates with standard IDC sockets
Ideal for splicing and "T" taps to cable bus
Solid selectively gold plated contacts

MATING CONNECTORS:

Mates with Adam Tech FCS Series .100" [2.54mm] dual row IDC sockets

SPECIFICATIONS:

Material:

Insulator: PBT, rated UL94V-0

Insulator Color: Gray

Contacts: Brass

Contact Plating:

Gold flash (30 μ in optional) over nickel underplate on contact area, tin over copper underplate on IDC area

Electrical:

Operating voltage: 250V AC max.

Current rating: 1 Amp max

Contact resistance: 30 m Ω max. initial

Insulation resistance: 5000 M Ω min.

Dielectric withstanding voltage: 1000V AC for 1 minute

Mechanical:

Insertion force: 0.5 lbs per circuit max.

Withdrawal force: 0.094 lbs per circuit min

Mating durability: 500 cycles min.

Recommended cable size: 28 Awg stranded

Temperature Rating:

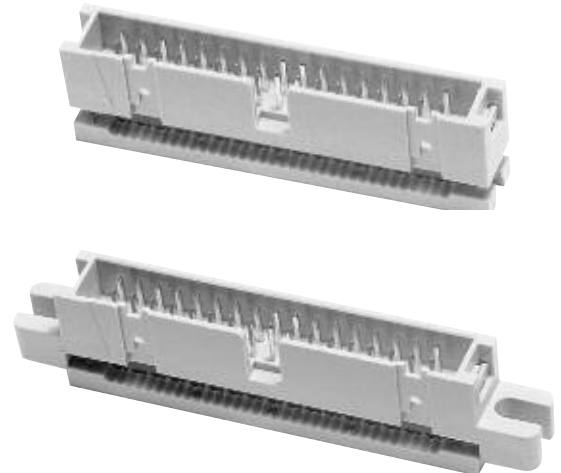
Operating temperature: -40°C to +105°C

PACKAGING:

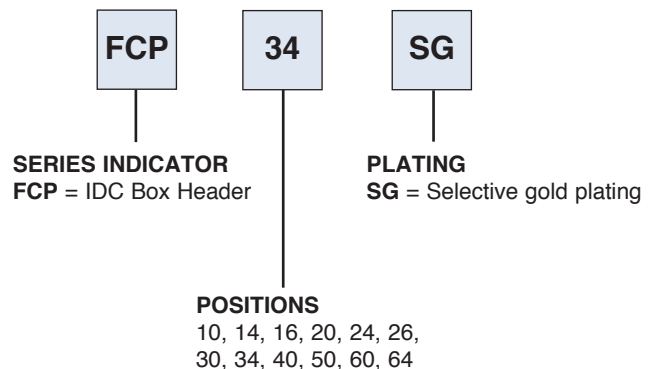
Anti-ESD plastic trays

SAFETY AGENCY APPROVALS:

UL Recognized & CSA Certified, File no. E224053



ORDERING INFORMATION



OPTIONS:

Add designator(s) to end of part number

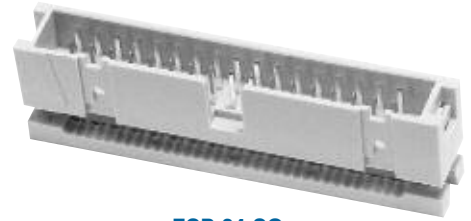
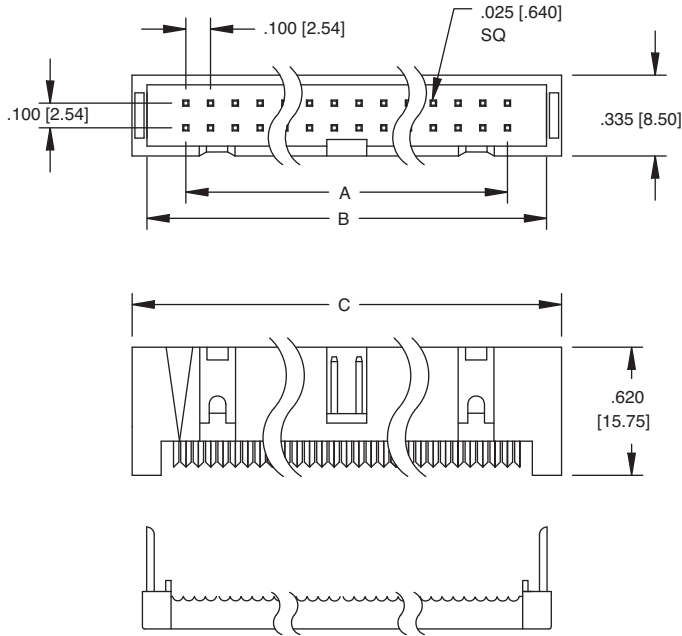
E = Mounting Ears

30 = 30 μ in gold plating in contact area

BK = Black color insulator

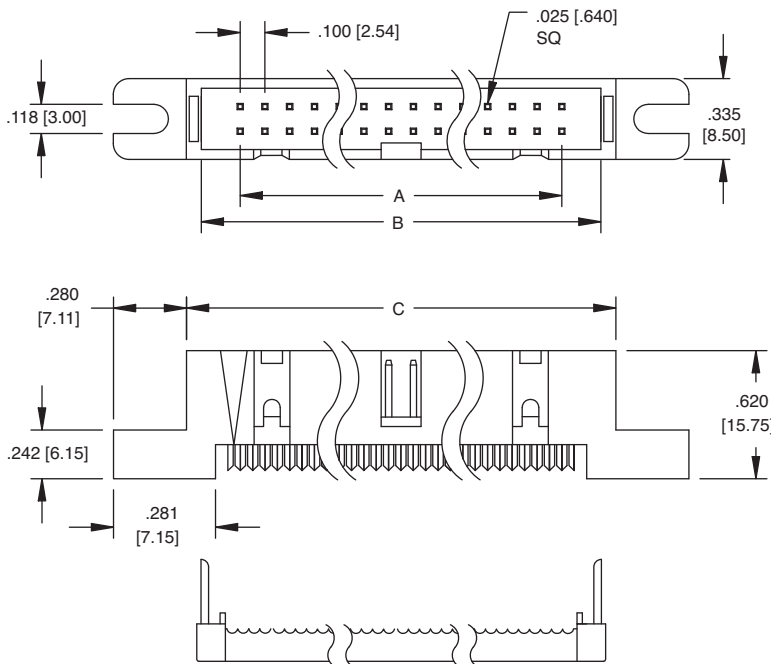


FCP HEADER



FCP-34-SG

FCP HEADER WITH MOUNTING EAR OPTION



FCP-34-SG-E

POS.	DIMENSIONS		
	A	B	C
10	.400 [10.16]	.708 [18.00]	.905 [23.00]
14	.600 [15.24]	.908 [23.08]	1.105 [28.08]
16	.700 [17.78]	1.008 [25.62]	1.205 [30.62]
20	.900 [22.86]	1.208 [30.70]	1.405 [35.70]
24	1.100 [27.94]	1.408 [35.78]	1.605 [40.78]
26	1.200 [30.48]	1.508 [38.32]	1.705 [43.32]
30	1.400 [35.56]	1.708 [43.40]	1.905 [48.40]
34	1.600 [40.64]	1.908 [48.48]	2.105 [53.48]
40	1.900 [48.26]	2.208 [56.10]	2.405 [61.10]
50	2.400 [60.96]	2.708 [68.80]	2.905 [73.80]
60	2.900 [73.66]	3.208 [81.50]	3.405 [86.50]
64	3.100 [78.74]	3.408 [86.58]	3.605 [91.58]

INTRODUCTION:

Adam Tech MHF Series IDC Latch Headers are designed to quickly and easily mass terminate to .050" flat cable. The IDC termination is converted to a Shrouded Box Header with ejector/latches and a polarizing slot that mates with standard IDC sockets. This connector is ideal for splicing and making "T" taps to a cable bus. Adam Tech's sturdy design features solid, selectively gold plated .025"sq. copper alloy posts.

FEATURES:

- Latches for secure attachment
- Latch ejection feature makes socket removal easy
- IDC Cable to Shrouded Box Header
- Mates with standard IDC sockets
- Ideal for splicing and "T" taps to cable bus
- Solid selectively gold plated contacts

MATING CONNECTORS:

Mates with Adam Tech FCS Series .100" (2.54mm) dual row IDC sockets

SPECIFICATIONS:

Material:

Insulator: PBT, rated UL94V-0
Insulator Color: Gray
Contacts: Brass

Contact Plating:

Gold flash (30 μ in optional) over nickel on contact area,
Tin over copper underplate on IDC area

Electrical:

Operating voltage: 250V AC max.
Current rating: 1 Amp max
Contact resistance: 20 m Ω max. initial
Insulation resistance: 5000 M Ω min.
Dielectric withstanding voltage: 1000V AC for 1 minute

Mechanical:

Insertion force: 0.5 lbs per circuit max.
Withdrawal force: 0.094 lbs per circuit min
Mating durability: 500 Cycles min.
Recommended cable size: 28 Awg stranded

Temperature Rating:

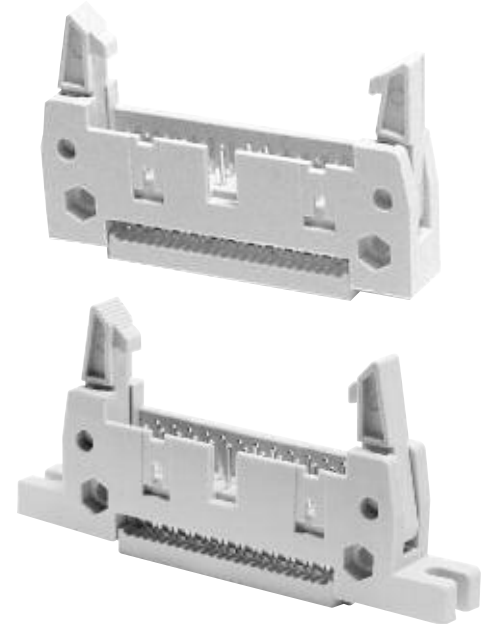
Operating temperature: -40°C to +105°C

PACKAGING:

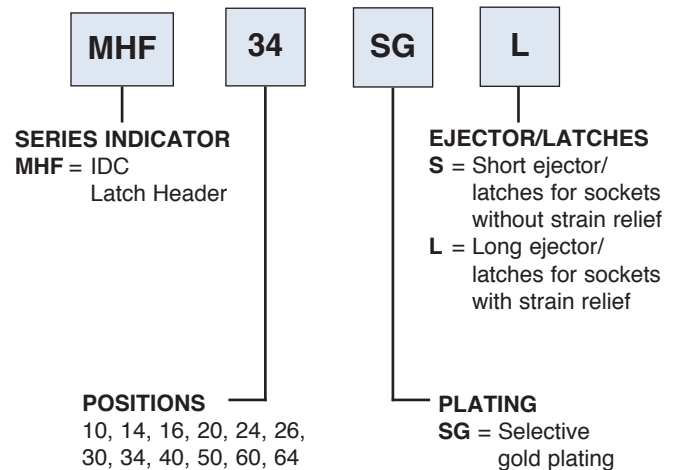
Anti-ESD plastic trays

SAFETY AGENCY APPROVALS:

UL Recognized & CSA Certified, File no. E224053



ORDERING INFORMATION

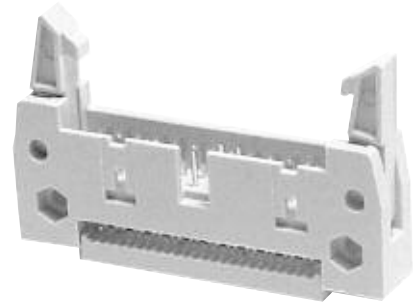
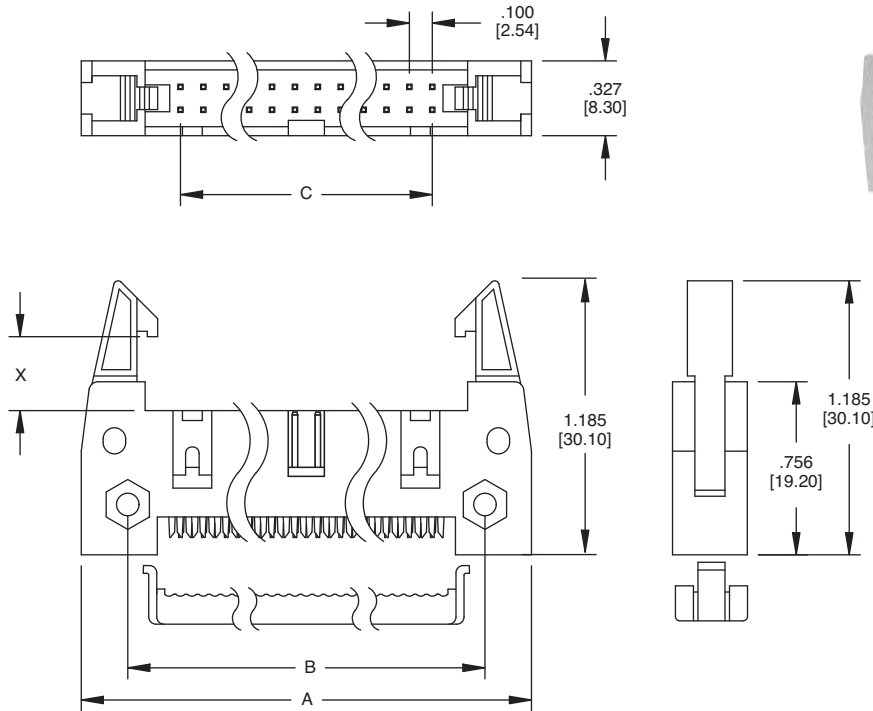


OPTIONS:

Add designator(s) to end of part number
E = Mounting ears



MHF HEADER

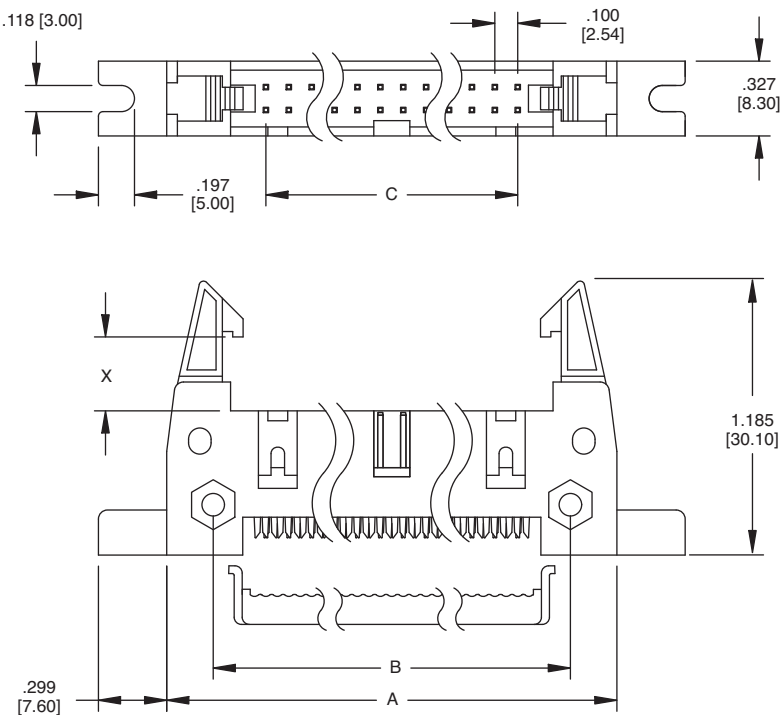


MHF-34-SG-L

Short Latch (No Strain Relief Type)
X= .236 [6.00]

Long Latch (Strain Relief Type)
X= .315 [8.00]

MHF HEADER WITH MOUNTING EAR OPTION



PART NO. & POSITIONS	DIMENSIONS		
	A	B	C
MHF-10	1.266 [32.17]	.860 [21.85]	.400 [10.16]
MHF-14	1.466 [37.25]	1.060 [26.93]	.600 [15.24]
MHF-16	1.566 [39.79]	1.160 [29.47]	.700 [17.78]
MHF-20	1.766 [44.87]	1.360 [34.55]	.900 [22.86]
MHF-24	1.966 [49.95]	1.560 [39.63]	1.100 [27.94]
MHF-26	2.066 [52.49]	1.660 [42.17]	1.200 [30.48]
MHF-30	2.266 [57.57]	1.860 [47.25]	1.400 [35.56]
MHF-34	2.466 [62.65]	2.060 [52.33]	1.600 [40.64]
MHF-40	2.766 [70.27]	2.360 [59.95]	1.900 [48.26]
MHF-50	3.266 [82.97]	2.860 [72.65]	2.400 [60.96]
MHF-60	3.766 [95.67]	3.360 [85.34]	2.900 [73.66]
MHF-64	3.966 [100.75]	3.560 [90.43]	3.100 [78.74]

INTRODUCTION:

Adam Tech's MTD Series .100" & .156" Housings with IDC contacts are designed to quickly and easily mass terminate discrete wires or pre-notched flat cable. Our stamped contacts are designed to feature a precision, gas tight IDC connection at the wire end and a high pressure, smooth wiping action connection on the mating connector end. Both are available with optional cover in feed through or closed end styles.

FEATURES:

Easily mass terminates discrete wire and pre-notched flat cable
Housings have pre-inserted IDC contacts
High performance Gas tight IDC connection
Optional Feed through or Closed end cover

SPECIFICATIONS:

Material:

Insulator: Nylon 66, rated UL94V-2
Insulator Color: Natural
Contacts: Phosphor bronze and Brass

Contact Plating:

Tin over copper underplate overall

Electrical:

Operation voltage: 250V AC max.
Current rating:
.100" centers: 4. Amp max.
.156" centers: 6 Amp max.
Insulation resistance: 1000 MΩ min.
Dielectric withstanding voltage: 1000V AC for 1 minute

Mechanical:

Mating force:
.100" & .156" Center: 1.3 lbs max
Unmating force:
.100" Center: 0.5 lbs min
.156" Center: 1.3 lbs min
.100" Centers: Wire size: 28 Awg to 22 Awg
.156" Centers: Wire size: 26 Awg to 18 Awg

Temperature Rating:

Operating temperature: -40°C to +105°C

PACKAGING:

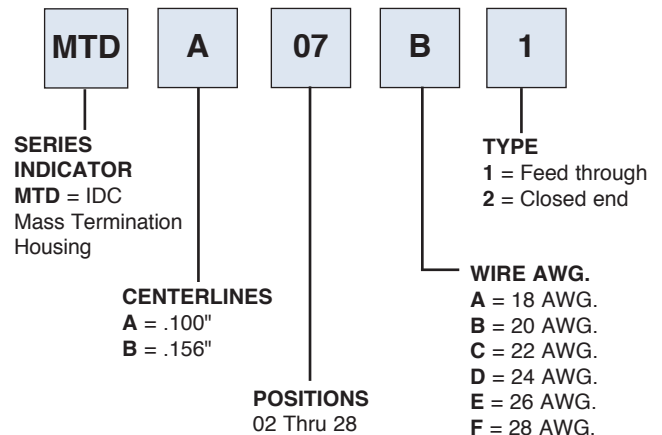
Anti-ESD plastic bags

APPROVALS AND CERTIFICATIONS:

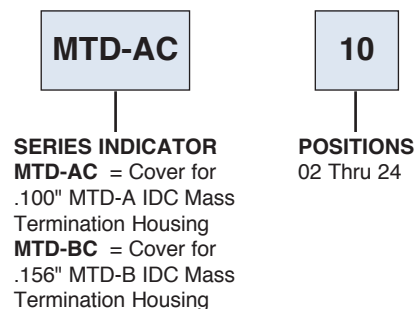
UL Recognized & CSA Certified, File no. E224053



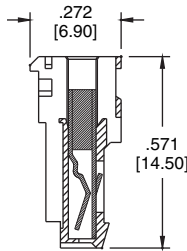
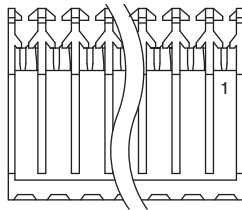
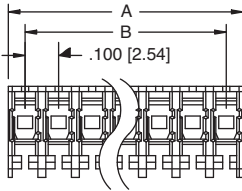
**ORDERING INFORMATION
CONNECTOR**



**ORDERING INFORMATION
COVER**



MTD-A
.100" CENTERLINE



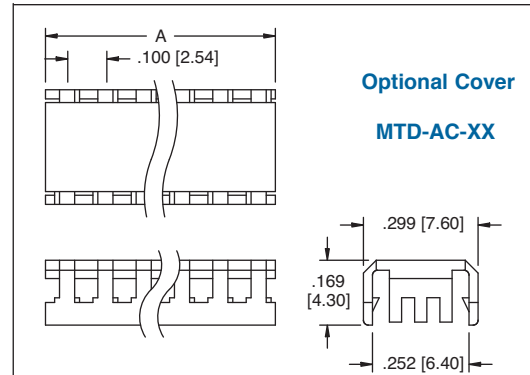
MTD-A-04-D-1



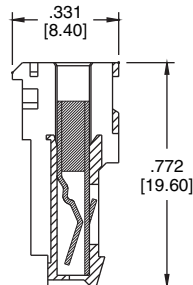
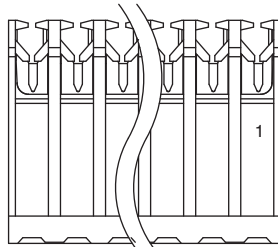
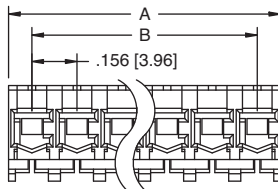
MTD-A-07-D-1

A = .100 [2.54] X No of Positions
B = .100 [2.54] X No of Spaces

Available wire sizes: 22, 24, 26 & 28 AWG.



MTD-B
.156" CENTERLINE

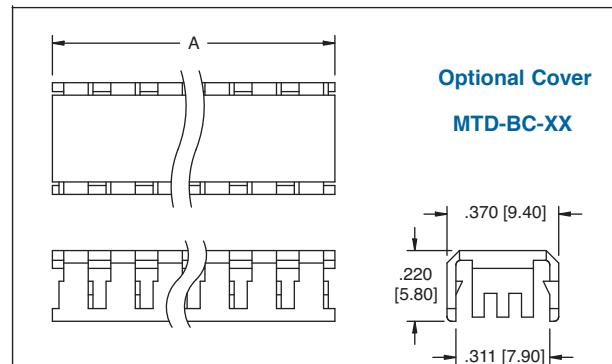


MTD-B-07-B-1



A = .156 [3.96] X No of Positions
B = .156 [3.96] X No of Spaces

Available wire sizes: 18, 20, 22, & 24 AWG.



INTRODUCTION:

Adam Tech's Flat Cable DIP & Transition plugs are a one piece connector system that quickly and easily mass terminates flat cable then mounts directly to the PCB or PCB socket. These connectors are ideal for interconnecting PCB's in a permanent flat cable transition or satisfying disconnect applications. Our low profile design allows an increased board to board stacking density.

FEATURES:

Available in 8 – 64 positions
Eliminates need for two piece header & Socket set
Fast easy mass termination without stripping cable
Heavy duty Tin plated contacts
Low Profile, high density board to board stacking
Plugs into IC Socket or solders directly to PCB

SPECIFICATIONS:

Material:

Insulator: PBT, glass reinforced, rated UL94V-0
Optional Hi-Temp insulator: Nylon 6T, rated UL94V-0
Insulator Color: Black (Gray optional)
Contacts: Brass

Contact Plating:

G = Gold flash (30u" optional) over nickel underplate on contact area,
Tin over copper underplate on IDC area.
T = Tin over copper underplate overall

Electrical:

Operating voltage: 250V AC max.
Current rating: 3 Amp max
Contact resistance: 20 mΩ max. initial
Insulation resistance: 5000 MΩ min.
Dielectric withstanding voltage: 1000V AC for 1 minute

Mechanical:

Recommended cable size: 28 Awg stranded

Temperature Rating:

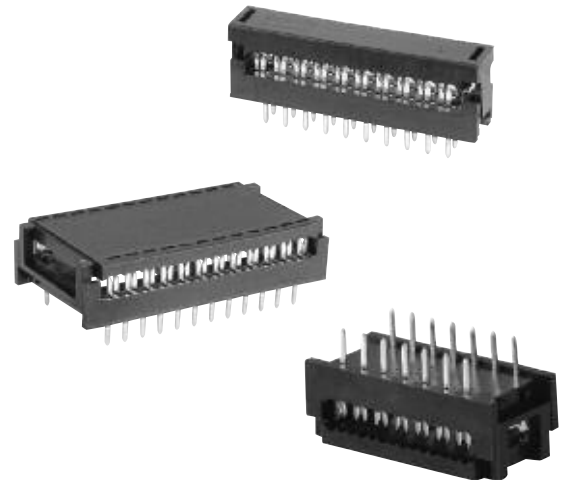
Operating temperature: -40°C to +105°C

PACKAGING:

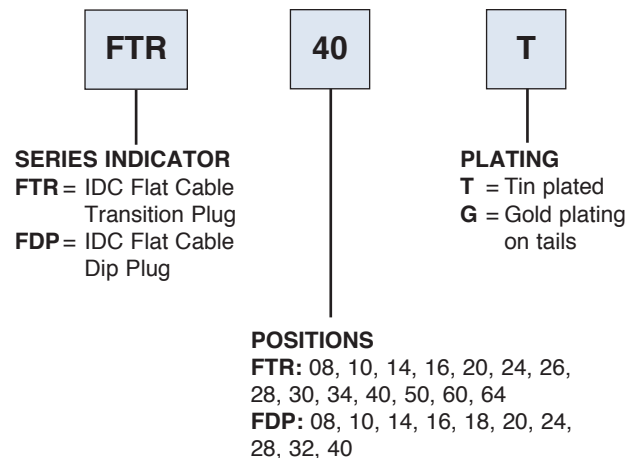
Anti-ESD plastic trays

SAFETY AGENCY APPROVALS:

UL Recognized & CSA Certified, File no. E224053



ORDERING INFORMATION



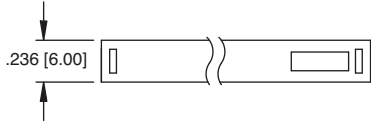
OPTIONS:

Add designator(s) to end of part number
30 = 30 μin gold plating in contact area
GY = Gray color insulator
RT = Board retention

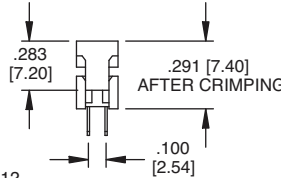
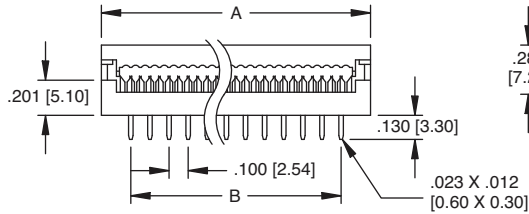


FTR SERIES

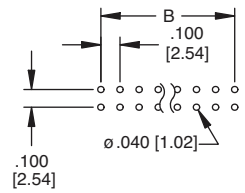
.100" X .100" (8P-64P)



A = .100 [2.54] x No. of Positions per row + .310 [7.88]
B = .100 [2.54] x No. of Spaces per row



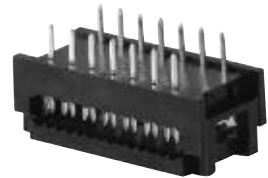
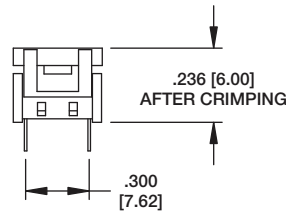
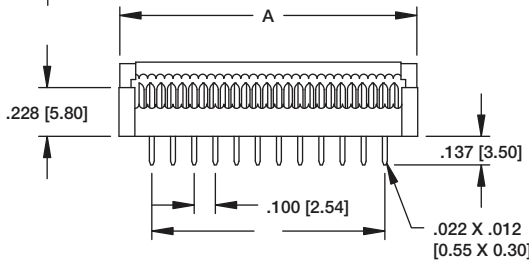
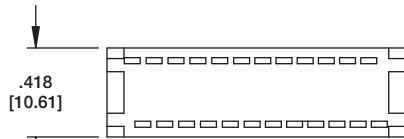
FTR-14-T



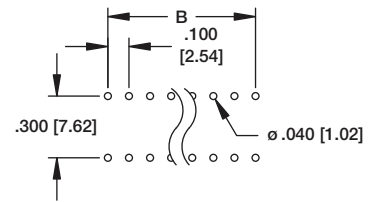
Recommended PCB Layout

FDP SERIES

.100" X .300" (8P-20P)



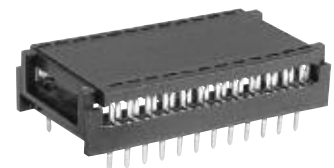
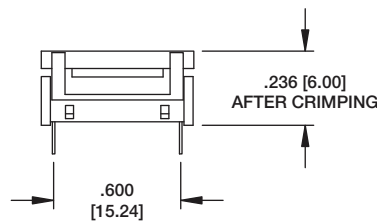
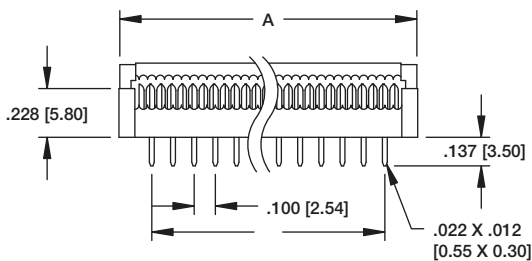
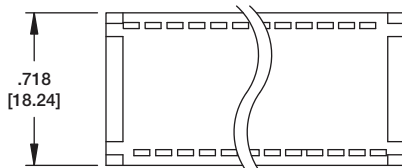
FDP-14-T



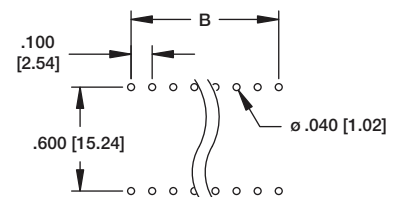
Recommended PCB Layout

FDP SERIES

.100" X .600" (24P-40P)



FDP-24-T



Recommended PCB Layout