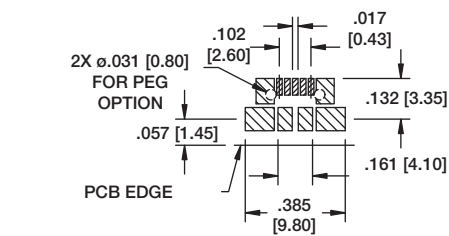
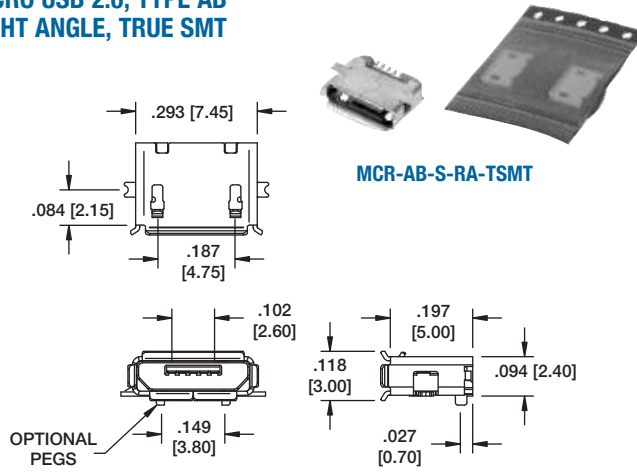
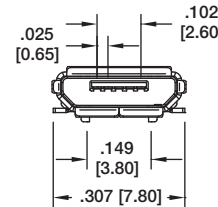
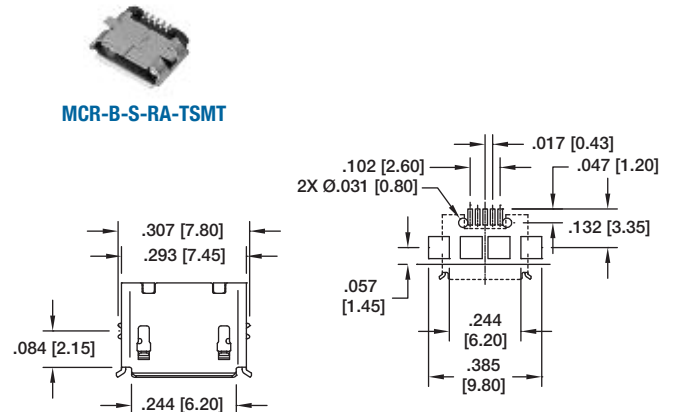


MICRO USB 2.0, TYPE AB RIGHT ANGLE, TRUE SMT

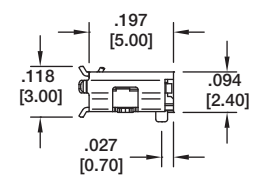


Recommended PCB Layout

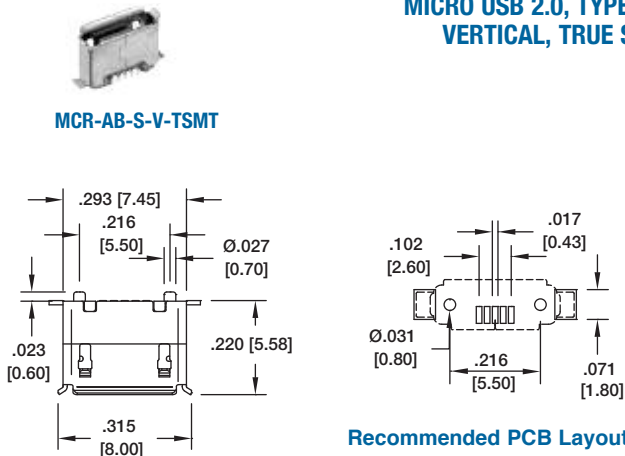
MICRO USB 2.0, TYPE B RIGHT ANGLE, TRUE SMT



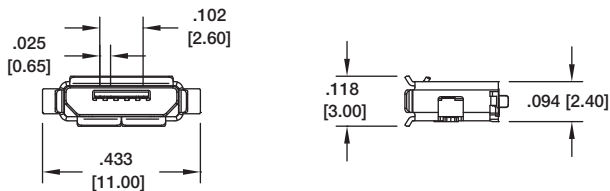
Recommended PCB Layout



MICRO USB 2.0, TYPE AB VERTICAL, TRUE SMT



Recommended PCB Layout



MICRO USB 2.0, TYPE B PLUG

