

INTRODUCTION:

Adam Tech RCA Series RCA jacks are a popular choice for audio and visual output in electronic equipment applications. Adam Tech offers a multitude of RCA jacks intended to satisfy most audio and visual applications. This series offers choices of panel, PCB, and chassis mounting in single, dual, stacked and color coded versions with a number of shell plating options. Adam Tech RCA jacks are precision engineered to provide intermatability and balance to a broad range of industry standard plugs. Manufactured with high quality UL94V-0 ABS these jacks are an excellent choice for most audio and visual applications.

FEATURES:

Wide range of colors
Multiple port versions
Various body styles
Industry Standard compatibility

MATING PLUGS:

All industry standard RCA plugs.

SPECIFICATIONS:

Material:

Standard insulator: ABS or PBT glass filled, rated UL94-HB
Optional Hi-Temp insulator: Nylon 6T, rated UL94V-0
Insulator Colors: Red, Black, Yellow, White
Bushing: Brass, Nickel plated, (Gold optional)
Contacts: Brass

Contact Plating:

Tin or Silver over Copper underplate

Electrical:

Operating voltage: 12V DC max.
Current rating: 1 Amp max.
Contact resistance: 30 mΩ max. initial
Insulation resistance: 100 MΩ min.
Dielectric withstanding voltage: 500V AC for 1 minute

Mechanical:

Insertion force: 6.6 lbs max.
Withdrawal force: 1.7 lbs min
Mating durability: 5000 cycles min.

Temperature Rating:

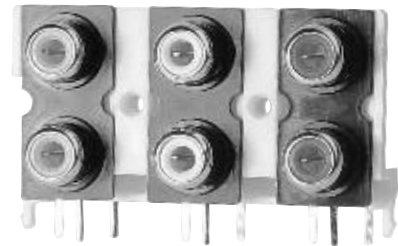
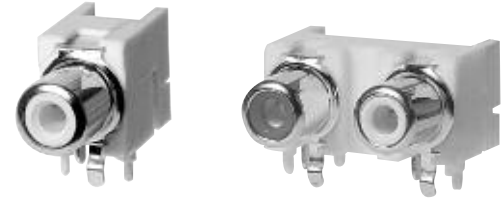
Operating temperature: -25°C to +85°C
Soldering process temperature:
Standard insulator: 235°C
Hi-Temp insulator: 260°C

PACKAGING:

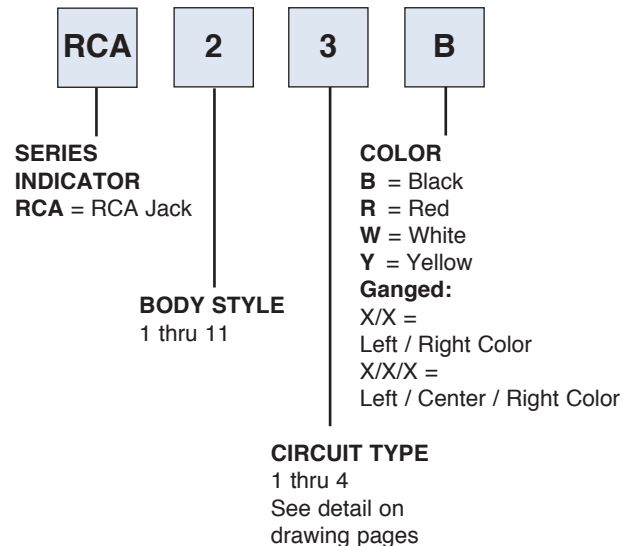
Anti-ESD plastic bags

APPROVALS AND CERTIFICATIONS:

UL Recognized & CSA Certified, File no. E224053



ORDERING INFORMATION



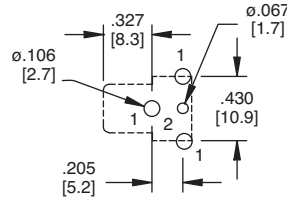
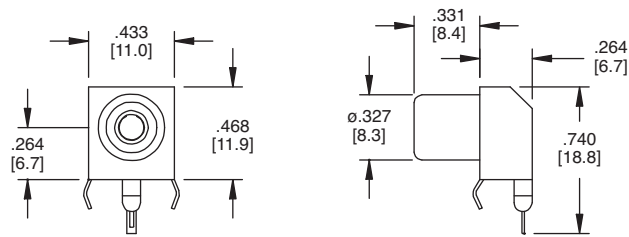
OPTIONS:

Add designator(s) to end of part number

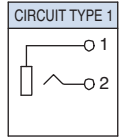
G = Gold plated barrels

HT = Hi-Temp insulator for Hi-Temp soldering processes up to 260°C

RCA-1



Recommended PCB Layout

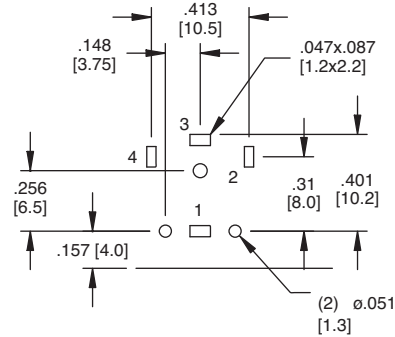
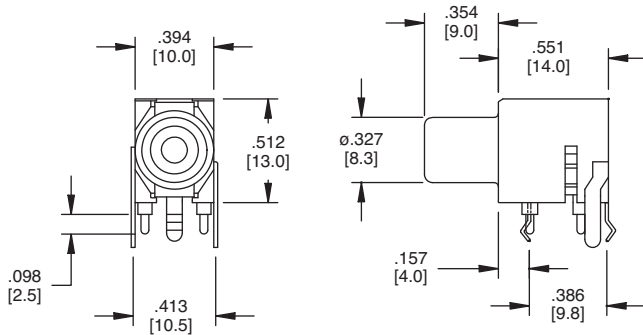


CIRCUIT

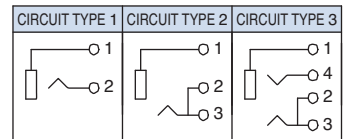


RCA-1-1-Y

RCA-2



Recommended PCB Layout

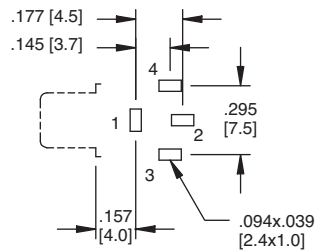
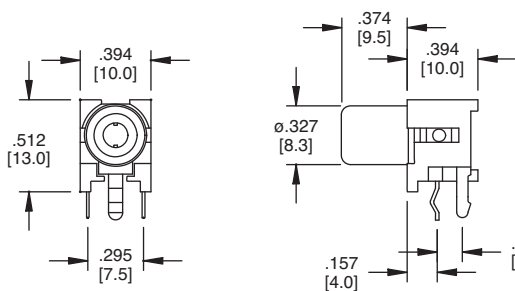


CIRCUIT

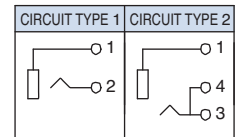


RCA-2-2-Y

RCA-3



Recommended PCB Layout

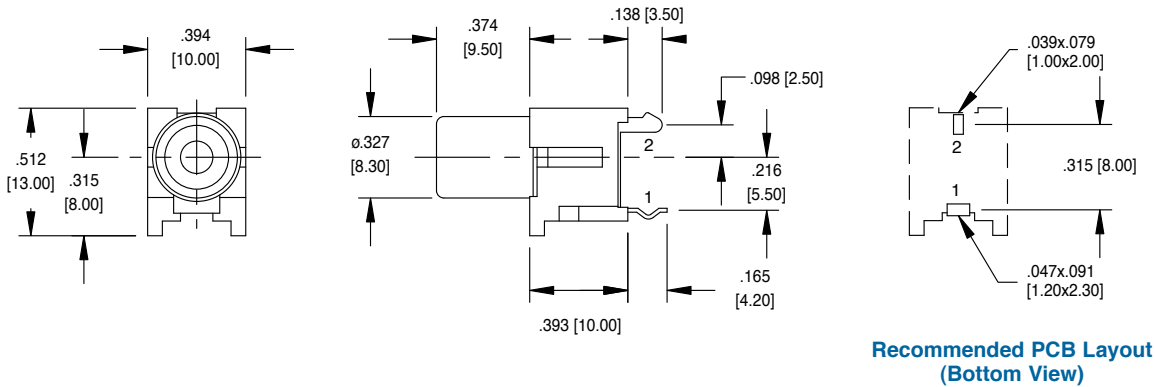


CIRCUIT

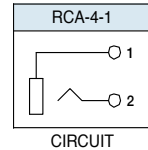


RCA-3-1-R

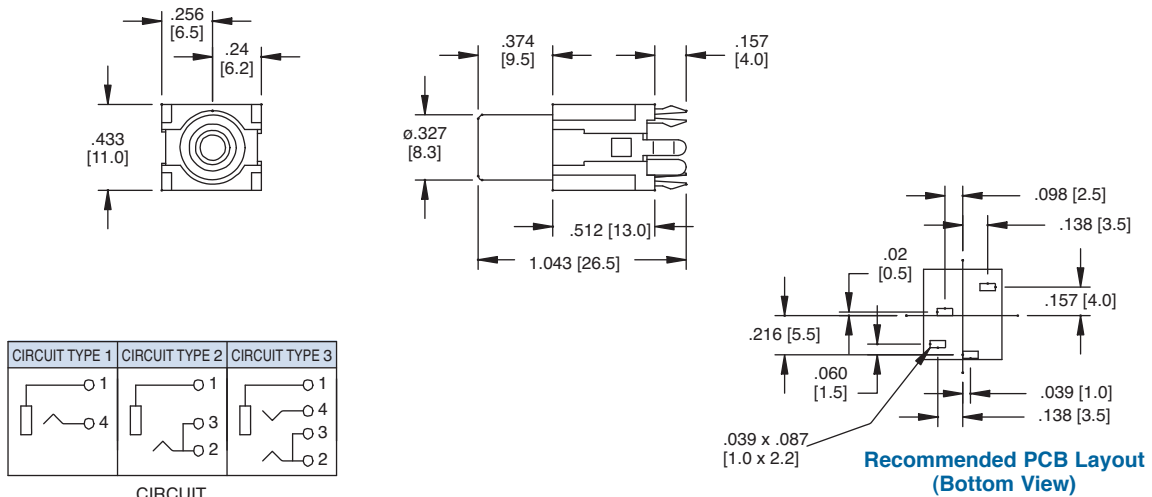
RCA-4



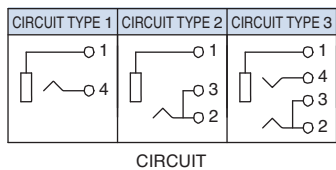
RCA-4-1-B



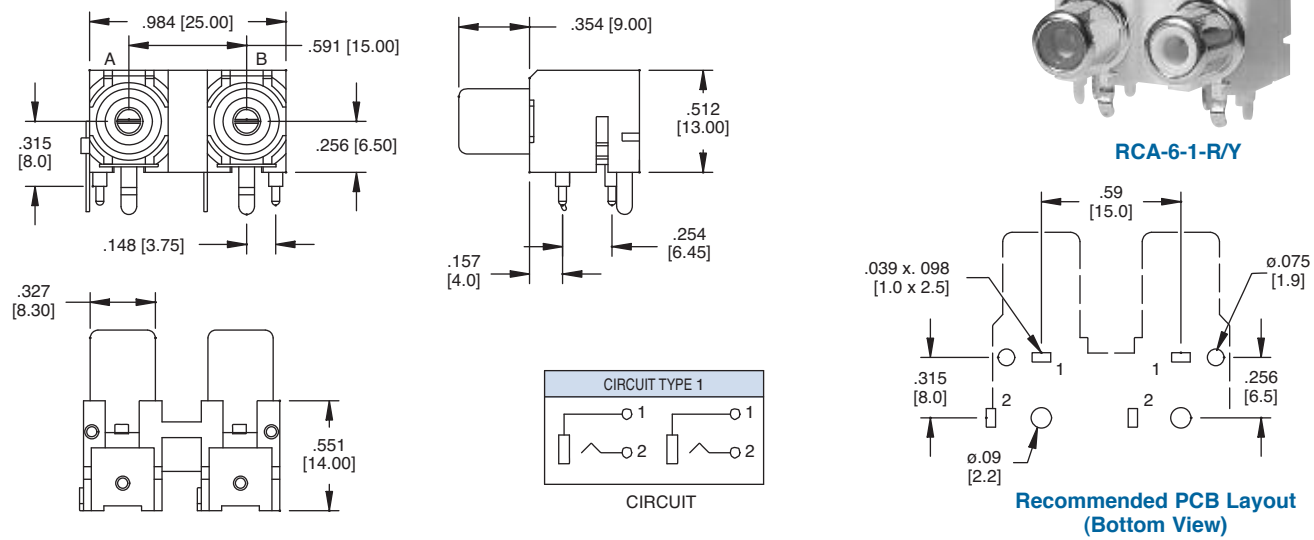
RCA-5



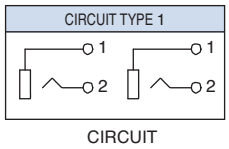
RCA-5-2-R



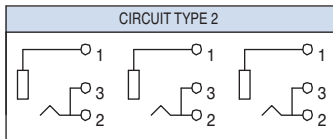
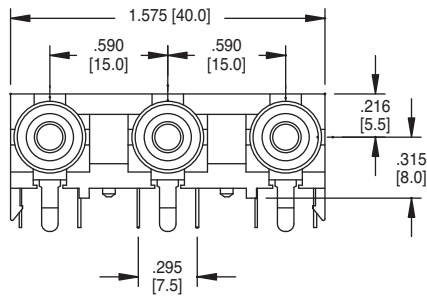
RCA-6



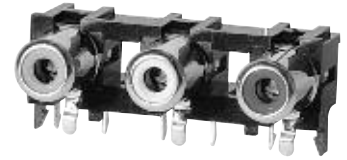
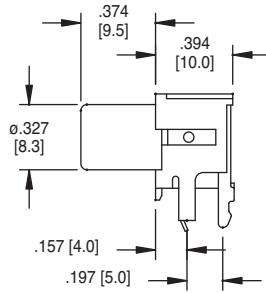
RCA-6-1-R/Y



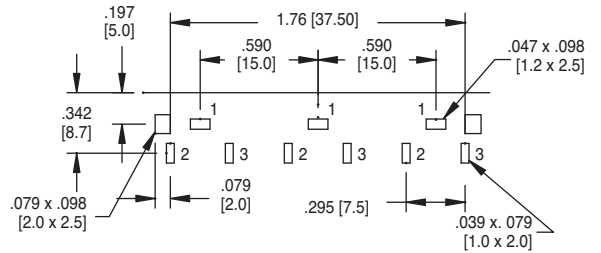
RCA-7



CIRCUIT

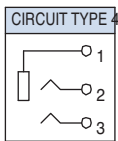
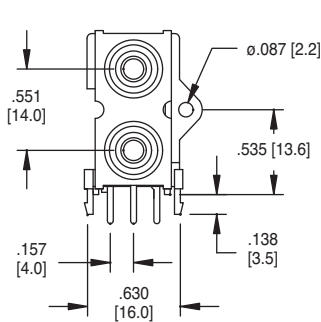


RCA-7-2-Y/W/R

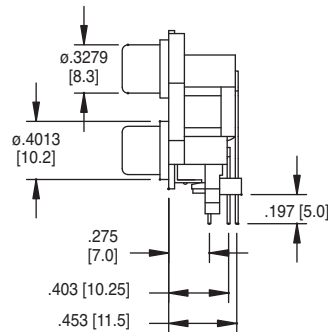


Recommended PCB Layout (Bottom View)

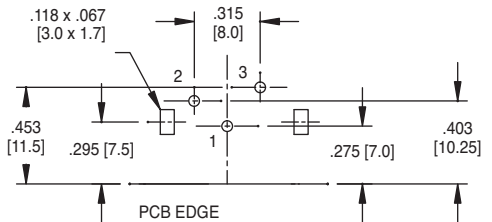
RCA-8



CIRCUIT

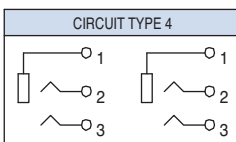
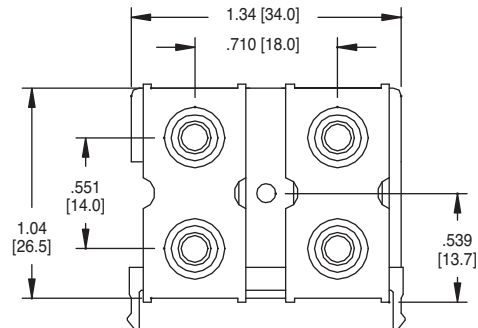


RCA-8-4-W/Y

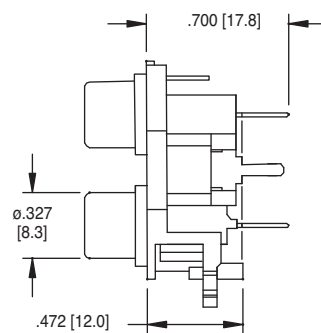


Recommended PCB Layout (Bottom View)

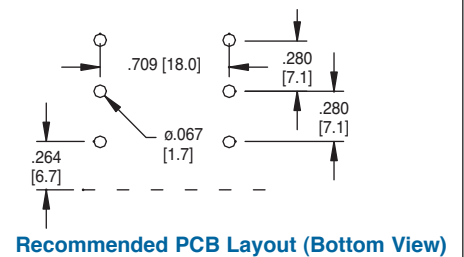
RCA-9



CIRCUIT



RCA-9-4-Y/R



Recommended PCB Layout (Bottom View)

