

INTRODUCTION:

Adam Tech SATA series Serial ATA connectors combine hot-plug capability with a combination of power and signal contacts in a blind-mate design. They are ideal for connecting disk drives to backplanes in servers or network equipment. Adam Tech SATA connectors are designed with differential-pair signaling technology and are precision manufactured to consistently perform at speeds up to 3.0 Gbits/s.

FEATURES:

Meets SCA Interconnection Standards
40P Fiber Channel and 80P SCSI compatible
Interchangeable Industry Standard Design

MATING CONNECTORS:

Adam Tech SATA series plugs and all industry standard SATA plugs.

SPECIFICATIONS:

Material:

Insulator: Hi-Temp thermoplastic, glass filled, rated UL94V-0
Insulator Color: Black
Contacts: Phosphor Bronze

Plating:

Gold flash over nickel underplate on mating area, tin over copper underplate on tails

Electrical:

Operating Voltage: 30V AC
Current Rating: 1.5 Amps Max.
Contact Resistance: 30 mΩ Max. initial
Insulation Resistance: 1000 MΩ Min.
Dielectric Withstanding Voltage: 500V AC for 1 Minute

Mechanical:

Insertion force: 10.20 lbs max.
Withdrawal force: 2.25 lbs min.

Temperature Rating:

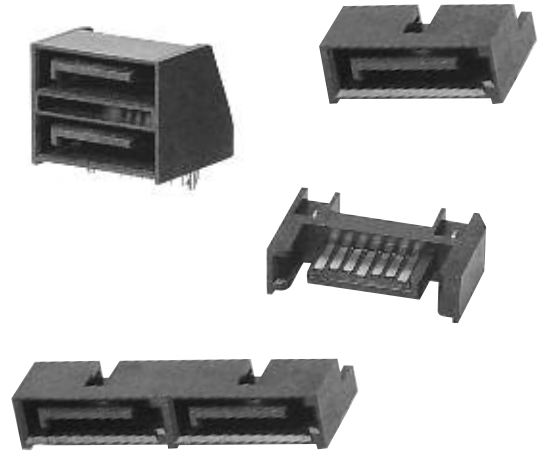
Operating Temperature: -55°C to +85°C
Soldering process temperature: 260°C

PACKAGING:

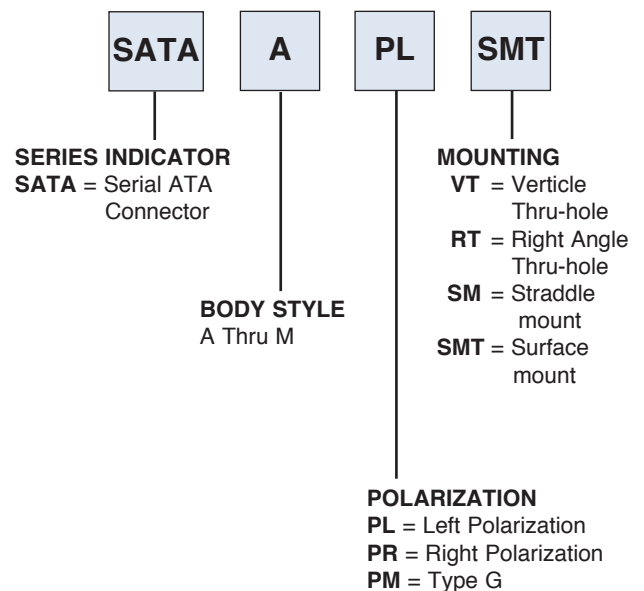
Anti-ESD plastic trays or tubes

APPROVALS AND CERTIFICATIONS:

UL Recognized & CSA Certified, File no. E224053



ORDERING INFORMATION



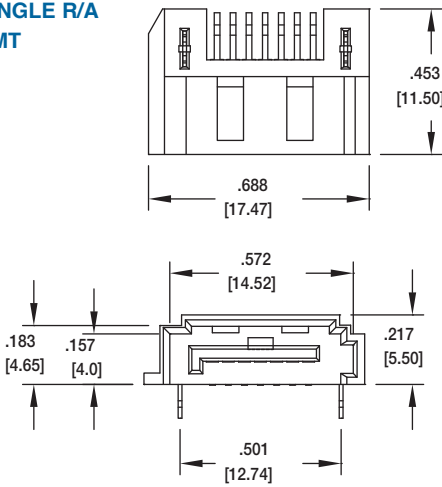
OPTIONS:

Add designator(s) to end of part number

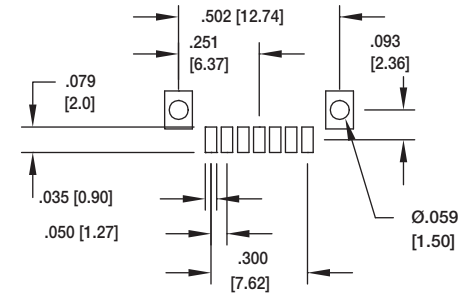
- K = Key
- S = Side slots (type D)
- 30 = 30 μin gold plating in contact area
- P = Locating Pegs



**SATA-A
SINGLE R/A
SMT**

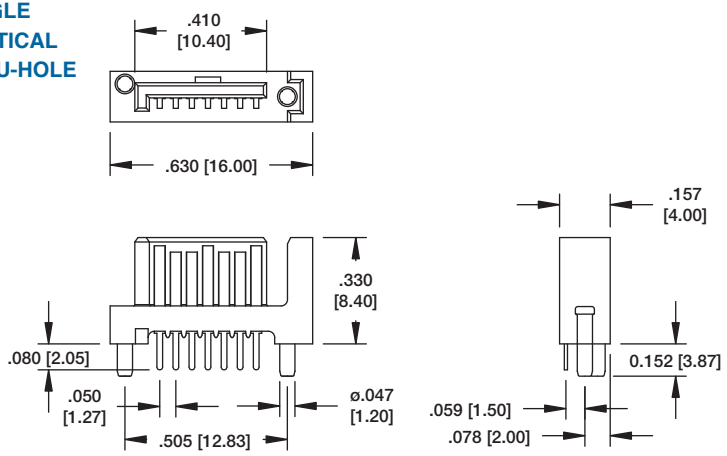


SATA-A-PL-SMT-K

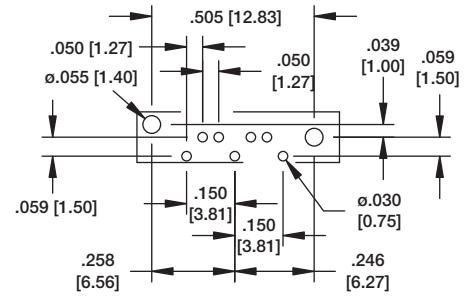


Recommended PCB Layout

**SATA-C
SINGLE
VERTICAL
THRU-HOLE**

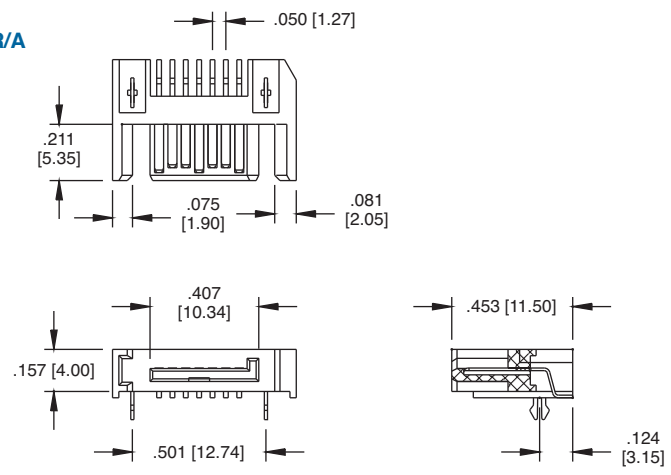


SATA-C-PR-VT-P

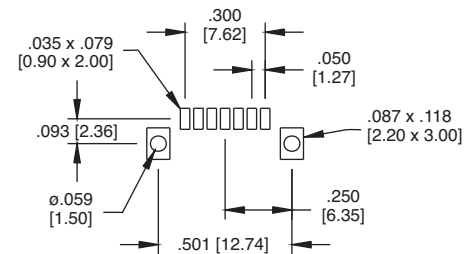


Recommended PCB Layout

**SATA-C
SINGLE R/A
SMT**

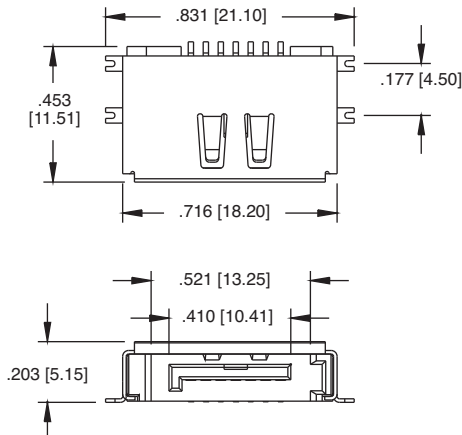


SATA-C-PR-SMT-K

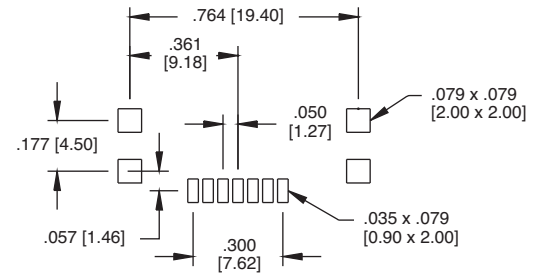


Recommended PCB Layout

SATA-B
SHIELDED, R/A, TRUE SMT

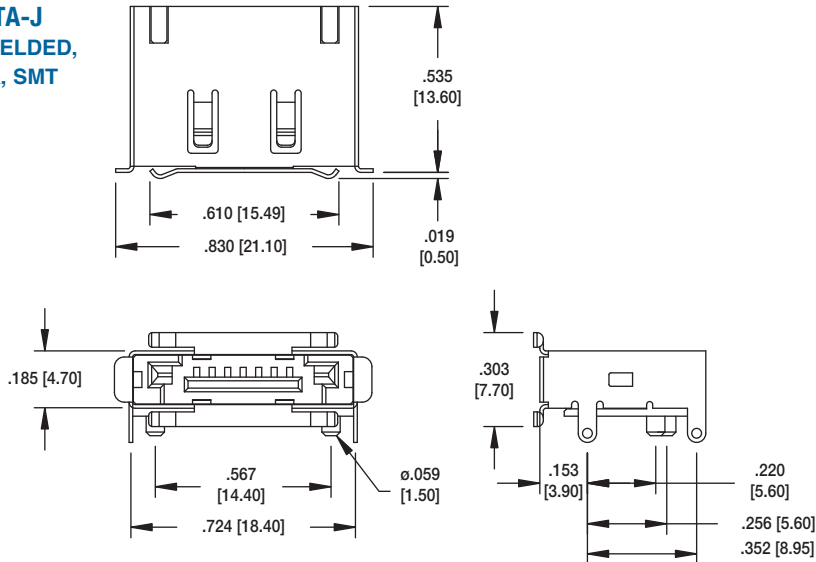


SATA-B-PL-SMT-K

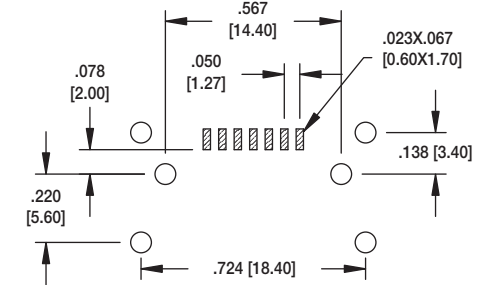


Recommended PCB Layout

SATA-J
SHIELDED, R/A, SMT

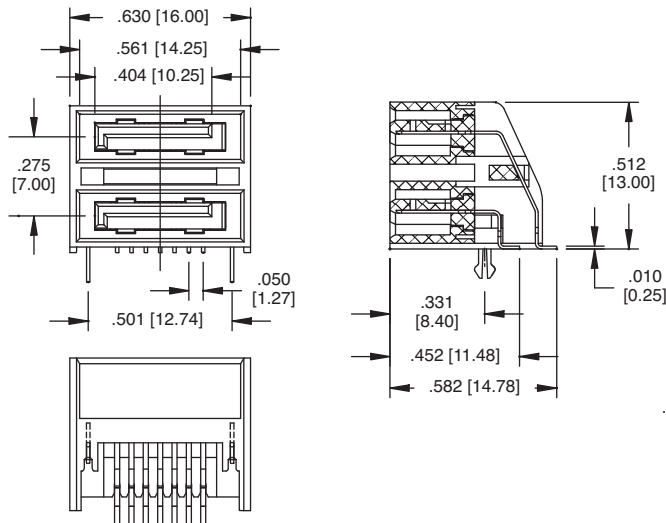


SATA-J-NP-SMT-P-S-PG

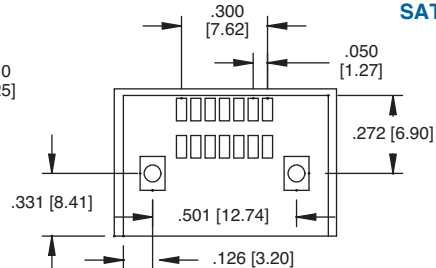


Recommended PCB Layout

SATA-D
DUAL
STACKED
SMT

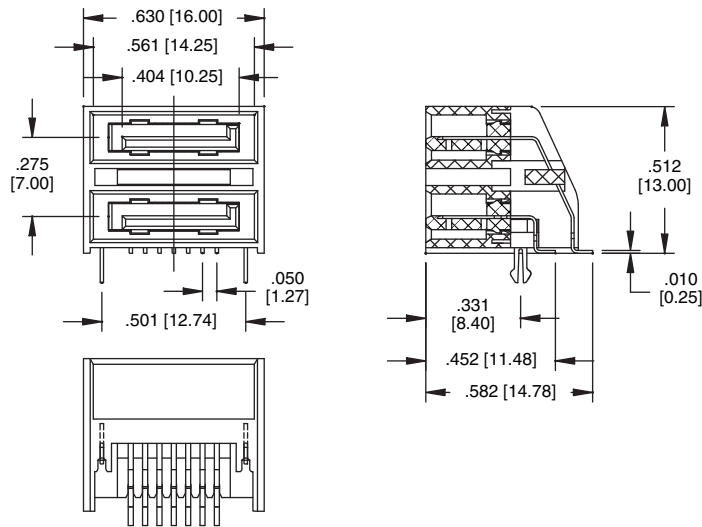


SATA-D-PL-SMT-S

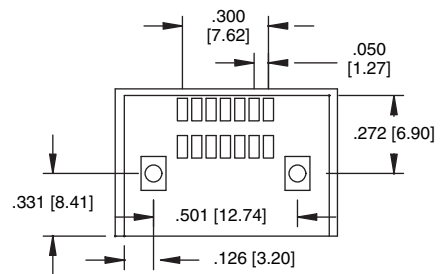


Recommended PCB Layout

**SATA-D
DUAL STACKED, SMT**

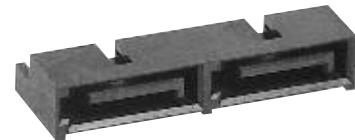
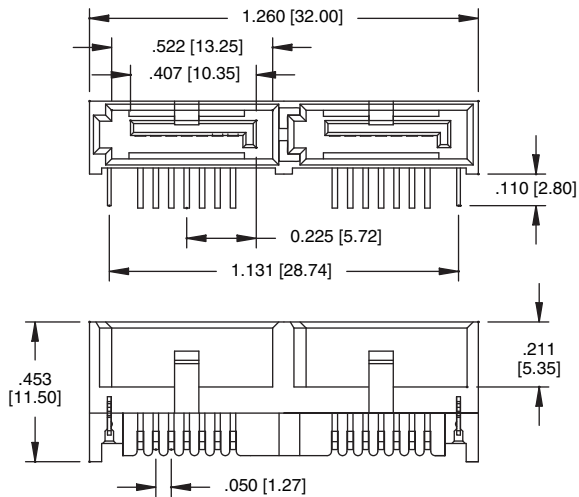


SATA-D-PR-SMT-S

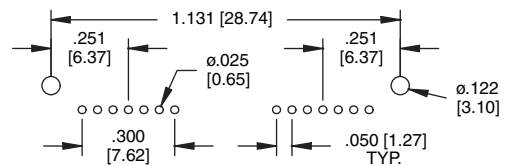
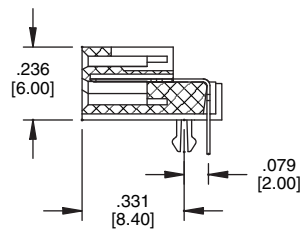


Recommended PCB Layout

**SATA-E
DUAL, SIDE BY SIDE
THRU-HOLE**

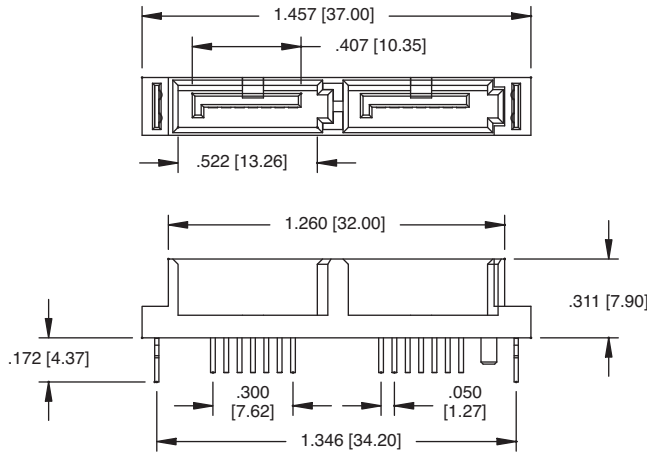


SATA-E-PR-RT-K

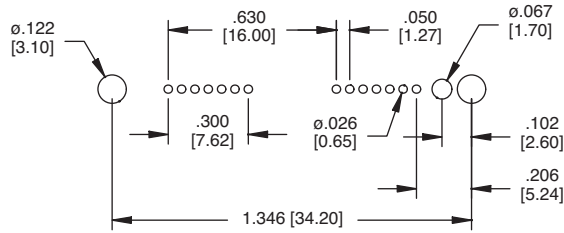


Recommended PCB Layout

**SATA-F
DUAL VERTICAL
THRU-HOLE**

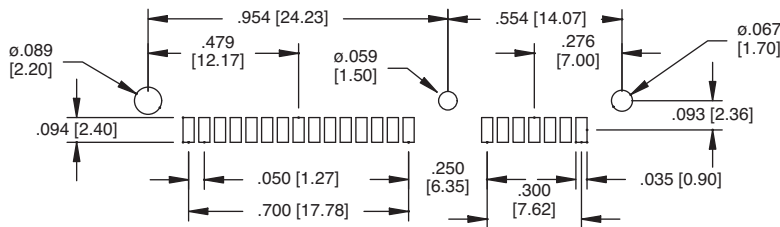
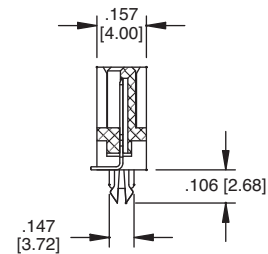
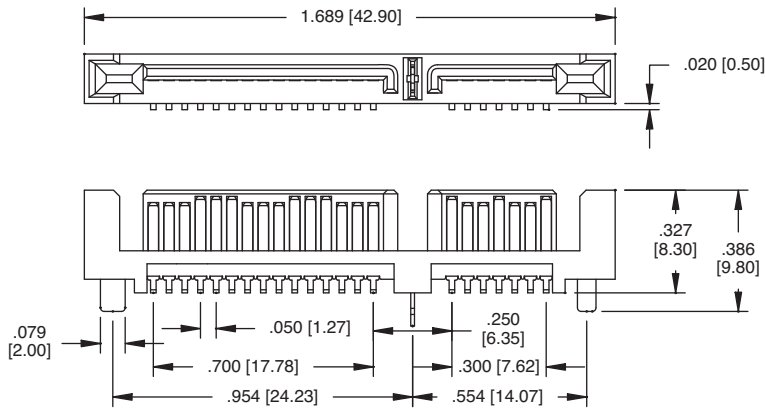


SATA-F-PL-VT-K-P

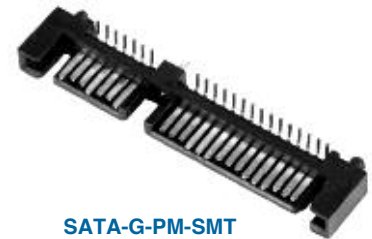


Recommended PCB Layout

**SATA-G
DUAL
VERTICAL
SMT**



Recommended PCB Layout



SATA-G-PM-SMT

