

Features

- Incorporates the ARM926EJ-S™ ARM® Thumb® Processor
 - DSP Instruction Extensions
 - ARM Jazelle® Technology for Java® Acceleration
 - 4 Kbyte Data Cache, 4 Kbyte Instruction Cache, Write Buffer
 - 210 MIPS at 190 MHz
 - Memory Management Unit
 - EmbeddedICE™ In-circuit Emulation, Debug Communication Channel Support
 - Mid-level implementation Embedded Trace Macrocell™
- Multi-layer AHB Bus Matrix for Large Bandwidth Transfers
 - Six 32-bit-layer Matrix
 - Boot Mode Select Option, Remap Command
- One 32-KByte internal ROM, Single-cycle Access at Maximum Speed
- One 64-KByte internal SRAM, Single-cycle Access at Maximum Speed
 - 4 Blocks of 16 Kbytes Configurable in TCM or General-purpose SRAM on the AHB Bus Matrix
 - Single-cycle Accessible on AHB Bus at Bus Speed
 - Single-cycle Accessible on TCM Interface at Processor Speed
- 2-channel DMA
 - Memory to Memory Transfer
 - 16 Bytes FIFO
 - Linked List
- External Bus Interface (EBI)
 - EBI Supports SDRAM, Static Memory, ECC-enabled NAND Flash and CompactFlash®
- LCD Controller (for AT91SAM9RL64 only)
 - Supports Passive or Active Displays
 - Up to 24 Bits per Pixel in TFT Mode, Up to 16 bits per Pixel in STN Color Mode
 - Up to 16M Colors in TFT Mode, Resolution Up to 2048x2048, Virtual Screen Support
- High Speed (480 Mbit/s) USB 2.0 Device Controller
 - On-Chip High Speed Transceiver, UTMI+ Physical Interface
 - Integrated FIFOs and Dedicated DMA
 - 4 Kbyte Configurable Integrated DPRAM
- Fully-featured System Controller, including
 - Reset Controller, Shutdown Controller
 - Four 32-bit Battery Backup Registers for a Total of 16 Bytes
 - Clock Generator and Power Management Controller
 - Advanced Interrupt Controller and Debug Unit
 - Periodic Interval Timer, Watchdog Timer and Real-time Timer and Real-time Clock
- Reset Controller (RSTC)
 - Based on Two Power-on Reset Cells
 - Reset Source Identification and Reset Output Control
- Shutdown Controller (SHDC)
 - Programmable Shutdown Pin Control and Wake-up Circuitry
- Clock Generator (CKGR)
 - Selectable 32768 Hz Low-power Oscillator or Internal Low-power RC Oscillator on Battery Backup Power Supply, Providing a Permanent Slow Clock
 - 12 MHz On-chip Oscillator for Main System Clock and USB Clock



AT91 ARM Thumb Microcontrollers

AT91SAM9R64 AT91SAM9RL64

Preliminary

Summary

NOTE: This is a summary document. The complete document is available on the Atmel website at www.atmel.com.

6289BS-ATARM-07-Oct-08





- One PLL up to 240 MHz
- One PLL 480 MHz Optimized for USB HS
- Power Management Controller (PMC)
 - Very Slow Clock Operating Mode, Software Programmable Power Optimization Capabilities
 - Two Programmable External Clock Signals
- Advanced Interrupt Controller (AIC)
 - Individually Maskable, Eight-level Priority, Vectored Interrupt Sources
 - One External Interrupt Sources and One Fast Interrupt Source, Spurious Interrupt Protected
- Debug Unit (DBGU)
 - 2-wire UART and Support for Debug Communication Channel, Programmable ICE Access Prevention
 - Mode for General Purpose 2-wire UART Serial Communication
- Periodic Interval Timer (PIT)
 - 20-bit Interval Timer plus 12-bit Interval Counter
- Watchdog Timer (WDT)
 - Key-protected, Programmable Only Once, Windowed 16-bit Counter Running at Slow Clock
- Real-time Timer (RTT)
 - 32-bit Free-running Backup Counter Running at Slow Clock with 16-bit Prescaler
- Real-time Clock (RTC)
 - Time, Date and Alarm 32-bit Parallel Load
 - Low Power Consumption
 - Programmable Periodic Interrupt
- One 6-channel 10-Bit Analog-to-Digital Converter
 - Touch Screen Interface Compatible with Industry Standard 4-wire Sensitive Touch Panels
- Four 32-bit Parallel Input/Output Controllers (PIOA, PIOB, PIOC and PIOD)
 - 118 Programmable I/O Lines Multiplexed with up to Two Peripheral I/Os for 217-ball BGA Package
 - Input Change Interrupt Capability on Each I/O Line
 - Individually Programmable Open-drain, Pull-up Resistor and Synchronous Output
- 22-channel Peripheral DMA Controller (PDC)
- One MultiMedia Card Interface (MCI)
 - SDCard/SDIO 1.0 and MultiMediaCard™ 3.1 Compliant
 - Automatic Protocol Control and Fast Automatic Data Transfers with PDC
- Two Synchronous Serial Controllers (SSC)
 - Independent Clock and Frame Sync Signals for Each Receiver and Transmitter
 - I²S Analog Interface Support, Time Division Multiplex Support
 - High-speed Continuous Data Stream Capabilities with 32-bit Data Transfer
- One AC97 Controller (AC97C)
 - 6-channel Single AC97 Analog Front End Interface, Slot Assigner
- Four Universal Synchronous/Asynchronous Receiver Transmitters (USART)
 - Individual Baud Rate Generator, IrDA® Infrared Modulation/Demodulation, Manchester Encoding/Decoding
 - Support for ISO7816 T0/T1 Smart Card, Hardware Handshaking, RS485 Support
- One Master/Slave Serial Peripheral Interface (SPI)
 - 8- to 16-bit Programmable Data Length, Four External Peripheral Chip Selects
 - High-speed Synchronous Communications
- One Three-channel 16-bit Timer/Counter (TC)
 - Three External Clock Inputs, Two Multi-purpose I/O Pins per Channel
 - Double PWM Generation, Capture/Waveform Mode, Up/Down Capability
- One Four-channel 16-bit PWM Controller (PWMC)
- Two Two-wire Interfaces (TWI)
 - Compatible with Standard Two-wire Serial Memories
 - One, Two or Three Bytes for Slave Address

- Sequential Read/Write Operations
- Master, Multi-master and Slave Mode Operation
- Bit Rate: Up to 400 Kbits
- General Call Supported in Slave Mode
- Connection to Peripheral DMA Controller (PDC) Channel Capabilities Optimizes Data Transfers in Master Mode Only (TWI0 only)
- SAM-BA[®] Boot Assistant
 - Default Boot Program
 - Interface with SAM-BA Graphic User Interface
- IEEE[®] 1149.1 JTAG Boundary Scan on All Digital Pins
- Required Power Supplies:
 - 1.08 to 1.32V for VDDCORE, VDDUTMIC, VDDPLL B and VDDBU
 - 3.0V to 3.6V for VDDPLLA, VDDANA, VDDUTMII and VDDIOP
 - Programmable 1.65V to 1.95V or 3.0V to 3.6V for VDDIOM
- Available in a 144-ball BGA (AT91SAM9R64) and a 217-ball LFBGA (AT91SAM9RL64) Package

1. Description

The AT91SAM9R64/RL64 device is based on the integration of an ARM926EJ-S processor with a large fast SRAM and a wide range of peripherals.

The AT91SAM9R64/RL64 embeds one USB Device High Speed Controller, one LCD Controller (for AT91SAM9RL64 only), one AC97 controller, a 2-channel DMA Controller, four USARTs, two SSCs, one SPI, two TWIs, three Timer Counter channels, a 4-channel PWM generator, one Multimedia Card interface and a 6-channel Analog-to-digital converter that also provides touch screen management.

The AT91SAM9R64/RL64 is architected on a 6-layer bus matrix. It also features an External Bus Interface capable of interfacing with a wide range of memory and peripheral devices.

Some features are not available for AT91SAM9R64 in the 144-ball BGA package.

Separate block diagrams and PIO multiplexing are provided in this document. [Table 1-1](#) lists the features and signals of AT91SAM9RL64 that are not available or partially available for AT91SAM9R64. When the signal is multiplexed on a PIO, the PIO line is specified.

Table 1-1. Unavailable or Partially Available Features and Signals in AT91SAM9R64

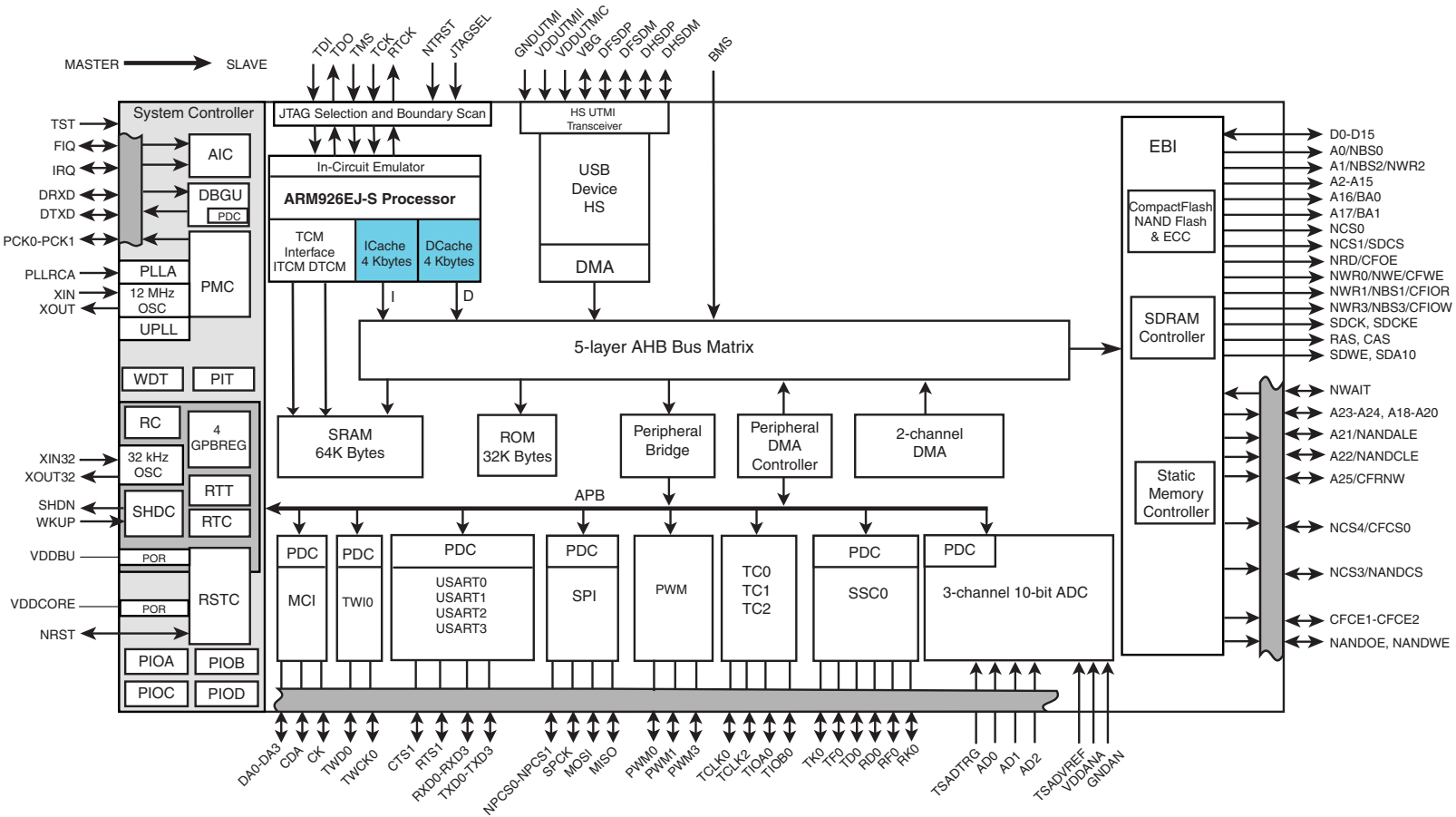
Feature	Full/Partial	Signal	Peripheral A	Peripheral B
AC97	Full	AC97FS AC97CK AC97TX AC97RX	PD1 PD2 PD3 PD4	-
EBI	Partial	D16-D31 NCS2 NCS5/CFCS1	PB16-PB31 PD0 PD13	-

Table 1-1. Unavailable or Partially Available Features and Signals in AT91SAM9R64

Feature	Full/Partial	Signal	Peripheral A	Peripheral B
LCDC	Full	LCDMOD LCDCC LCDVSYNC LCDHSYNC LCDDOTCK LCDDEN LCDD0-LCDD23	PC2 PC3 PC4 PC5 PC6 PC7 PC8-PC31	-
PWM	Partial	PWM2	PD5 and PD12	-
SPI	Partial	NPCS2 NPCS3	PD8	PD9 and PD13
SSC1	Full	RF1 RK1 TD1 RD1 TK1 TF1	-	PA8 PA9 PA13 PA14 PA29 PA30
Touchscreen ADC	Partial	AD3YM GPAD4 GPAD5	PA20 PD6 PD7	-
TC	Partial	TIOA1 TIOB1 TCLK1 TIOA2 TIOB2	-	PC29 PC30 PC31 PD10 PD11
TWI	Full	TWD1 TWCK1	PD10 PD11	-
USART0	Partial	SCK0 RTS0 CTS0 DSR0 DTR0 DCD0 RI0	PA8 PA9 PA10 PD14 PD15 PD16 PD17	-
USART1	Partial	SCK1	-	PD2
USART2	Partial	SCK2 RTS2 CTS2	PD9 PA29 PA30	-
USART3	Partial	SCK3 RTS3 CTS3	-	PA20 PD3 PD4

2. Block Diagrams

Figure 2-1. AT91SAM9R64 Block Diagram



3. Signal Description

Table 3-1 gives details on the signal name classified by peripheral.

Table 3-1. Signal Description List

Signal Name	Function	Type	Active Level	Comments
Power Supplies				
VDDIOM	EBI I/O Lines Power Supply	Power		1.65V to 3.6V
VDDIOP	Peripherals I/O Lines Power Supply	Power		3.0V to 3.6V
VDDUTMII	USB UTMI+ Interface Power Supply	Power		3.0V to 3.6V
VDDUTMIC	USB UTMI+ Core Power Supply	Power		1.08V to 1.32V
GNDUTMI	USB UTMI Ground	Ground		
VDDBU	Backup I/O Lines Power Supply	Power		1.08V to 1.32V
GNDBU	Backup Ground	Ground		
VDDPLLA	PLL Power Supply	Power		3.0V to 3.6V
GNDPLLA	PLL Ground	Ground		
VDDPLLB	UTMI PLL and OSC 12M Power Supply	Power		1.08 V to 1.32V
GNDPLLB	UTMI PLL and OSC 12M Ground	Ground		
VDDANA	ADC Analog Power Supply	Power		3.0V to 3.6V
GNDANA	ADC Analog Ground	Ground		
VDDCORE	Core Chip Power Supply	Power		1.08V to 1.32V
GNDCORE	Ground	Ground		
GND	Ground	Ground		
Clocks, Oscillators and PLLs				
XIN	Main Oscillator Input	Input		
XOUT	Main Oscillator Output	Output		
XIN32	Slow Clock Oscillator Input	Input		
XOUT32	Slow Clock Oscillator Output	Output		
VBG	Bias Voltage Reference	Analog		
PLLCA	PLL A Filter	Input		
PCK0 - PCK1	Programmable Clock Output	Output		
Shutdown, Wakeup Logic				
SHDN	Shutdown Control	Output		Driven at 0V only. 0: The device is in backup mode. 1: The device is running (not in backup mode.)
WKUP	Wake-Up Input	Input		Accept between 0V and VDDBU
ICE and JTAG				
TCK	Test Clock	Input		No pull-up resistor
TDI	Test Data In	Input		No pull-up resistor
TDO	Test Data Out	Output		
TMS	Test Mode Select	Input		No pull-up resistor
JTAGSEL	JTAG Selection	Input		Pull-down resistor

Table 3-1. Signal Description List (Continued)

Signal Name	Function	Type	Active Level	Comments
NTRST	Test Reset Signal	Input	Low	Pull-up resistor.
Reset/Test				
NRST	Microcontroller Reset	I/O	Low	Pull-up resistor
TST	Test Mode Select	Input		Pull-down resistor
BMS	Boot Mode Select	Input		Must be connected to GND or VDDIOP. No pullup resistor BMS = 0 when tied to GND BMS = 1 when tied to VDDIOP
Debug Unit - DBGU				
DRXD	Debug Receive Data	Input		
DTXD	Debug Transmit Data	Output		
Advanced Interrupt Controller - AIC				
IRQ	External Interrupt Input	Input		
FIQ	Fast Interrupt Input	Input		
PIO Controller - PIOA - PIOB - PIOC-PIOD				
PA0 - PA31	Parallel IO Controller A	I/O		Pulled-up input at reset
PB0 - PB31	Parallel IO Controller B	I/O		Pulled-up input at reset
PC0 - PC31	Parallel IO Controller C	I/O		Pulled-up input at reset
PD0 - PD21	Parallel IO Controller D	I/O		Pulled-up input at reset
External Bus Interface - EBI				
D0 - D31	Data Bus	I/O		Pulled-up input at reset. D16-D31 not present on AT91SAM9R64.
A0 - A25	Address Bus	Output		0 at reset
NWAIT	External Wait Signal	Input	Low	
Static Memory Controller - SMC				
NCS0 - NCS5	Chip Select Lines	Output	Low	NCS2, NCS5 not present on AT91SAM9R64.
NWR0 - NWR3	Write Signal	Output	Low	
NRD	Read Signal	Output	Low	
NWE	Write Enable	Output	Low	
NBS0 - NBS3	Byte Mask Signal	Output	Low	
CompactFlash Support				
CFCE1 - CFCE2	CompactFlash Chip Enable	Output	Low	
CFOE	CompactFlash Output Enable	Output	Low	
CFWE	CompactFlash Write Enable	Output	Low	
CFIOR	CompactFlash IO Read	Output	Low	
CFIOW	CompactFlash IO Write	Output	Low	
CFRNW	CompactFlash Read Not Write	Output		
CFCS0 - CFCS1	CompactFlash Chip Select Lines	Output	Low	CFCS1 not present on AT91SAM9R64.

Table 3-1. Signal Description List (Continued)

Signal Name	Function	Type	Active Level	Comments
NAND Flash Support				
NANDCS	NAND Flash Chip Select	Output	Low	
NANDOE	NAND Flash Output Enable	Output	Low	
NANDWE	NAND Flash Write Enable	Output	Low	
SDRAM Controller				
SDCK	SDRAM Clock	Output		
SDCKE	SDRAM Clock Enable	Output	High	
SDCS	SDRAM Controller Chip Select	Output	Low	
BA0 - BA1	Bank Select	Output		
SDWE	SDRAM Write Enable	Output	Low	
RAS - CAS	Row and Column Signal	Output	Low	
SDA10	SDRAM Address 10 Line	Output		
Multimedia Card Interface MCI				
CK	Multimedia Card Clock	I/O		
CDA	Multimedia Card Slot A Command	I/O		
DA0 - DA3	Multimedia Card Slot A Data	I/O		
Universal Synchronous Asynchronous Receiver Transmitter USARTx				
SCKx	USARTx Serial Clock	I/O		SCKx not present on AT91SAM9R64.
TXDx	USARTx Transmit Data	I/O		
RXDx	USARTx Receive Data	Input		
RTSx	USARTx Request To Send	Output		RTS0, RTS2, RTS3 not present on AT91SAM9R64.
CTSx	USARTx Clear To Send	Input		CTS0, CTS2, CTS3 not present on AT91SAM9R64.
DTR0	USART0 Data Terminal Ready	I/O		Not present on AT91SAM9R64.
DSR0	USART0 Data Set Ready	Input		Not present on AT91SAM9R64.
DCD0	USART0 Data Carrier Detect	Output		Not present on AT91SAM9R64.
RI0	USART0 Ring Indicator	Input		Not present on AT91SAM9R64.
Synchronous Serial Controller - SSCx				
TD0 - TD1	SSC Transmit Data	Output		TD1 not present on AT91SAM9R64.
RD0 - RD1	SSC Receive Data	Input		RD1 not present on AT91SAM9R64.
TK0 - TK1	SSC Transmit Clock	I/O		TK1 not present on AT91SAM9R64.
RK0 - RK1	SSC Receive Clock	I/O		RK1 not present on AT91SAM9R64.
TF0 - TF1	SSC Transmit Frame Sync	I/O		TF1 not present on AT91SAM9R64.
RF0 - RF1	SSC Receive Frame Sync	I/O		RF1 not present on AT91SAM9R64.

Table 3-1. Signal Description List (Continued)

Signal Name	Function	Type	Active Level	Comments
AC97 Controller - AC97C				
AC97RX	AC97 Receive Signal	Input		Not present on AT91SAM9R64.
AC97TX	AC97 Transmit Signal	Output		Not present on AT91SAM9R64.
AC97FS	AC97 Frame Synchronization Signal	Output		Not present on AT91SAM9R64.
AC97CK	AC97 Clock signal	Input		Not present on AT91SAM9R64.
Timer/Counter - TC				
TCLKx	TC Channel x External Clock Input	Input		TCLK1 not present on AT91SAM9R64.
TIOAx	TC Channel x I/O Line A	I/O		TIOA1, TIOA2 not present on AT91SAM9R64.
TIOBx	TC Channel x I/O Line B	I/O		TIOB1, TIOB2 not present on AT91SAM9R64.
Pulse Width Modulation Controller- PWMC				
PMWx	Pulse Width Modulation Output	Output		PWM2 not present on AT91SAM9R64.
Serial Peripheral Interface - SPI				
MISO	Master In Slave Out	I/O		
MOSI	Master Out Slave In	I/O		
SPCK	SPI Serial Clock	I/O		
NPCS0	SPI Peripheral Chip Select 0	I/O	Low	
NPCS1 - NPCS3	SPI Peripheral Chip Select	Output	Low	NPCS2, NPCS3 not present on AT91SAM9R64.
Two-Wire Interface - TWI_x				
TWDx	TWI _x Two-wire Serial Data	I/O		TWD1 not present on AT91SAM9R64.
TWCKx	TWI _x Two-wire Serial Clock	I/O		TWCK1 not present on AT91SAM9R64.
Touch Screen Analog-to-Digital Converter				
GPAD0-GPAD5	Analog Inputs	Analog		GPAD4, GPAD5 not present on AT91SAM9R64.
AD0X _P	Touch Panel Right side	Analog		Multiplexed with AD0
AD1X _M	Touch Panel Left side	Analog		Multiplexed with AD1
AD2Y _P	Touch Panel Top side	Analog		Multiplexed with AD2
AD3Y _M	Touch Panel Bottom side	Analog		Multiplexed with AD3. Not present on AT91SAM9R64.
TSADTRG	ADC Trigger	Input		
TSADVREF	ADC Reference	Analog		
LCD Controller - LCDC				
LCDD0 - LCDD23	LCD Data Bus	Output		Not present on AT91SAM9R64.
LCDVSYNC	LCD Vertical Synchronization	Output		Not present on AT91SAM9R64.
LCDHSYNC	LCD Horizontal Synchronization	Output		Not present on AT91SAM9R64.
LCDDOTCK	LCD Dot Clock	Output		Not present on AT91SAM9R64.
LCDDEN	LCD Data Enable	Output		Not present on AT91SAM9R64.
LCDC	LCD Contrast Control	Output		Not present on AT91SAM9R64.
LCDPWR	LCD panel Power enable control	Output		Not present on AT91SAM9R64.
LCDMOD	LCD Modulation signal	Output		Not present on AT91SAM9R64.

Table 3-1. Signal Description List (Continued)

Signal Name	Function	Type	Active Level	Comments
USB High Speed Device				
DFSDM	USB Device Full Speed Data -	Analog		
DFSDP	USB Device Full Speed Data +	Analog		
DHSDM	USB Device High Speed Data -	Analog		
DHSDP	USB Device High Speed Data +	Analog		

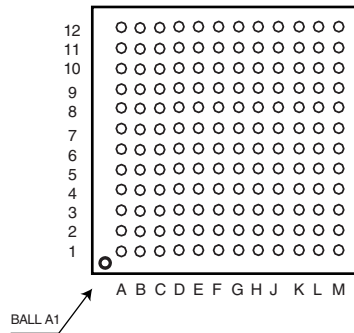
4. Package and Pinout

The AT91SAM9R64 is available in a 144-ball BGA package. The AT91SAM9RL64 is available in a 217-ball LFBGA package.

4.1 144-ball BGA Package Outline

Figure 4-1 shows the orientation of the 144-ball BGA package.

Figure 4-1. 144-ball BGA Pinout (Top View)



4.2 Pinout

AT91SAM9R64 Pinout for 144-ball BGA Package

Pin	Signal Name
A1	DFSDM
A2	DHSDM
A3	XIN
A4	XOUT
A5	XIN32
A6	XOUT32
A7	TDO
A8	PA[31]
A9	PA[22]
A10	PA[16]
A11	PA[14]
A12	PA[11]
B1	DFSDP
B2	DHSDP
B3	NC
B4	VDDPLL
B5	GNDPLL
B6	TMS
B7	RTCK
B8	PA[27]
B9	PA[21]
B10	PA[12]
B11	PD[21]
B12	PA[10]
C1	VDDPLL
C2	VBG
C3	VDDBU
C4	SHDN
C5	WKUP
C6	NTRST
C7	TDI
C8	PA[28]
C9	PA[23]
C10	PA[7]
C11	PD[19]
C12	PD[18]

Pin	Signal Name
D1	PLLRC
D2	VDDUTMII
D3	NWR3/NBS3/CFIOW
D4	NWR1/NBS1/CFIOR
D5	JTAGSEL
D6	GNDBU
D7	TCK
D8	PA[26]
D9	PA[24]
D10	PA[13]
D11	PA[6]
D12	PD[20]
E1	GNDPLLA
E2	NWR0/NWE/CFWE
E3	NRD/CFOE
E4	NCS0
E5	NCS1/SDCS
E6	PB[2]
E7	NRST
E8	BMS
E9	PA[25]
E10	PA[15]
E11	PA[5]
E12	PA[4]
F1	PB[5]
F2	PB[6]
F3	PB[7]
F4	PB[8]
F5	PB[3]
F6	PB[4]
F7	TST
F8	VDDUTMIC
F9	PA[3]
F10	PA[2]
F11	PA[0]
F12	PA[1]

Pin	Signal Name
G1	PB[10]
G2	PB[11]
G3	PB[12]
G4	PB[9]
G5	PB[13]
G6	GND
G7	GND
G8	GND
G9	GNDUTMI
G10	VDDCORE
G11	VDDIOP
G12	VDDIOP
H1	PB[14]
H2	PB[15]
H3	A[0]
H4	A[2]
H5	SDA10
H6	D[1]
H7	GND
H8	GND
H9	VDDIOM
H10	SDCKE
H11	VDDCORE
H12	VDDIOP
J1	A[4]
J2	A[1]
J3	A[3]
J4	A[14]
J5	CAS
J6	D[2]
J7	D[5]
J8	D[12]
J9	D[14]
J10	VDDIOM
J11	D[10]
J12	D[9]

Pin	Signal Name
K1	A[5]
K2	A[6]
K3	A[13]
K4	A[15]
K5	RAS
K6	D[3]
K7	D[6]
K8	D[13]
K9	VDDIOM
K10	VDDIOM
K11	D[11]
K12	PB[1]
L1	A[7]
L2	A[8]
L3	A[11]
L4	A[16]
L5	SDWE
L6	D[4]
L7	D[7]
L8	D[15]
L9	PC[1]
L10	PC[0]
L11	PB[0]
L12	GNDANA
M1	A[9]
M2	A[10]
M3	A[12]
M4	A[17]
M5	D[0]
M6	SDCK
M7	D[8]
M8	ADVREF
M9	VDDANA
M10	PA[17]
M11	PA[18]
M12	PA[19]

4.3 217-ball LFBGA Package Outline

Figure 4-2 shows the orientation of the 217-ball LFBGA package.

4.4 Pinout

Table 4-1. AT91SAM9RL64 Pinout for 217-ball LFBGA Package ⁽¹⁾

Pin	Signal Name	Pin	Signal Name	Pin	Signal Name	Pin	Signal Name
A1	DFSDM	D5	SHDN	J14	PD[1]	P17	PC[11]
A2	DHSDP	D6	JTAGSEL	J15	PD[0]	R1	A[0]
A3	VDDPLLB	D7	NTRST	J16	PC[30]	R2	A[2]
A4	XIN	D8	BMS	J17	PC[31]	R3	A[7]
A5	XOUT	D9	TDO	K1	PB[14]	R4	A[10]
A6	GNDPLLB	D10	PA[30]	K2	PB[15]	R5	A[14]
A7	XOUT32	D11	GND	K3	PB[17]	R6	SDA10
A8	GND	D12	PA[23]	K4	PB[16]	R7	D[0]
A9	NRST	D13	PA[15]	K8	VDDUTMIC	R8	VDDIOM
A10	RTCK	D14	PA[12]	K9	VDDIOP	R9	D[6]
A11	PA[29]	D15	PA[8]	K10	PC[28]	R10	D[9]
A12	PA[26]	D16	PD[13]	K14	PC[25]	R11	NC
A13	PA[22]	D17	PD[16]	K15	PC[24]	R12	VDDIOM
A14	PA[14]	E1	GNDPLLA	K16	PC[26]	R13	PC[1]
A15	PA[10]	E2	NCS1/SDCS	K17	PC[27]	R14	PB[1]
A16	PD[20]	E3	NCS0	L1	PB[18]	R15	PC[5]
A17	PD[17]	E4	NWR3/NBS3/CFIOW	L2	PB[19]	R16	PC[6]
B1	DFSDP	E14	PD[15]	L3	PB[21]	R17	PC[7]
B2	DHSDM	E15	PD[14]	L4	PB[20]	T1	A[3]
B3	VBG	E16	PA[5]	L14	PC[21]	T2	A[5]
B4	NC	E17	PA[4]	L15	PC[20]	T3	A[8]
B5	NC	F1	NRD/CFOE	L16	PC[22]	T4	A[12]
B6	XIN32	F2	PB[2]	L17	PC[23]	T5	A[16]
B7	TST	F3	NWR0/NWE/CFWE	M1	PB[22]	T6	RAS
B8	GND	F4	PB[3]	M2	PB[23]	T7	D[2]
B9	TMS	F14	PA[1]	M3	PB[25]	T8	D[4]
B10	VDDCORE	F15	PA[0]	M4	PB[24]	T9	D[7]
B11	PA[28]	F16	PA[2]	M14	PC[17]	T10	D[10]
B12	PA[25]	F17	PA[3]	M15	PC[16]	T11	D[14]
B13	PA[21]	G1	GND	M16	PC[18]	T12	VDDANA
B14	PA[13]	G2	VDDIOM	M17	PC[19]	T13	PA[17]
B15	PD[21]	G3	PB[5]	N1	PB[26]	T14	PA[19]
B16	PD[19]	G4	PB[4]	N2	PB[27]	T15	PC[2]
B17	PA[9]	G14	PD[12]	N3	PB[29]	T16	PC[3]
C1	VDDPLLA	G15	PD[11]	N4	PB[28]	T17	PC[4]
C2	VDDUTMII	G16	PD[10]	N14	PC[13]	U1	A[4]
C3	GND	G17	PD[9]	N15	PC[12]	U2	A[6]
C4	GNDUTMI	H1	PB[8]	N16	PC[14]	U3	A[9]
C5	VDDBU	H2	PB[9]	N17	PC[15]	U4	A[13]
C6	WKUP	H3	PB[7]	P1	PB[30]	U5	A[17]
C7	GNDBU	H4	PB[6]	P2	PB[31]	U6	SDWE
C8	TCK	H8	VDDCORE	P3	A[1]	U7	D[3]
C9	TDI	H9	VDDIOP	P4	A[11]	U8	SDCK
C10	PA[31]	H10	PD[4]	P5	A[15]	U9	D[11]
C11	PA[27]	H14	PD[8]	P6	CAS	U10	D[12]
C12	PA[24]	H15	PD[5]	P7	D[1]	U11	D[13]
C13	PA[16]	H16	PD[2]	P8	SDCKE	U12	TSADVREF
C14	PA[11]	H17	PD[3]	P9	D[5]	U13	PA[18]
C15	PD[18]	J1	PB[12]	P10	D[8]	U14	PA[20]
C16	PA[7]	J2	PB[13]	P11	D[15]	U15	PD[6]
C17	PA[6]	J3	PB[11]	P12	PC[0]	U16	PD[7]
D1	PLLRC	J4	PB[10]	P13	PB[0]	U17	GNDANA
D2	NWR1/NBS1/CFIOR	J8	VDDCORE	P14	PC[8]		
D3	GND	J9	VDDIOP	P15	PC[9]		
D4	GND	J10	PC[29]	P16	PC[10]		

Note: 1. Shaded cells define the pins powered by VDDIOM.



5. Power Considerations

5.1 Power Supplies

The AT91SAM9R64/RL64 has several types of power supply pins:

- VDDCORE pins: Power the core, including the processor, the embedded memories and the peripherals; voltage ranges from 1.08V and 1.32V, 1.2V nominal.
- VDDIOM pins: Power the External Bus Interface; voltage ranges between 1.65V and 1.95V (1.8V nominal) or between 3.0V and 3.6V (3.3V nominal).
- VDDIOP pins: Power the Peripherals I/O lines; voltage ranges from 3.0V and 3.6V, 3.3V nominal.
- VDDDBU pin: Powers the Slow Clock oscillator and a part of the System Controller; voltage ranges from 1.08V and 1.32V, 1.2V nominal.
- VDDPLLA pin: Powers the PLL cell; voltage ranges from 3.0V and 3.6V, 3.3V nominal.
- VDDPLLB pin: Powers the UTMI PLL (480MHz) and OSC 12M cells; voltage ranges from 1.08V and 1.32V, 1.2V nominal.
- VDDUTMII pin: Powers the UTMI+ interface; voltage ranges from 3.0V and 3.6V, 3.3V nominal.
- VDDUTMIC pin: Powers the UTMI+ core; voltage ranges from 1.08V and 1.32V, 1.2V nominal.
- VDDANA pin: Powers the ADC cell; voltage ranges from 3.0V and 3.6V, 3.3V nominal.

The power supplies VDDIOM and VDDIOP are identified in the pinout table and the PIO multiplexing tables. These supplies enable the user to power the device differently for interfacing with memories and for interfacing with peripherals.

Ground pins GND are common to VDDCORE, VDDIOM and VDDIOP pins power supplies.

Separated ground pins are provided for VDDDBU, VDDPLLA, VDDPLLB and VDDANA. These ground pins are respectively GNDBU, GNDPLLA, GNDPLLB and GNDANA. A common ground pin is provided for VDDUTMII and VDDUTMIC. This ground pin is GNDUTMI.

Caution: VDDCORE and VDDIO constraints at startup to be checked in the Core Power Supply POR Characteristics in the Electrical Characteristics section of the datasheet.

5.1.1 USB Power Supply Considerations

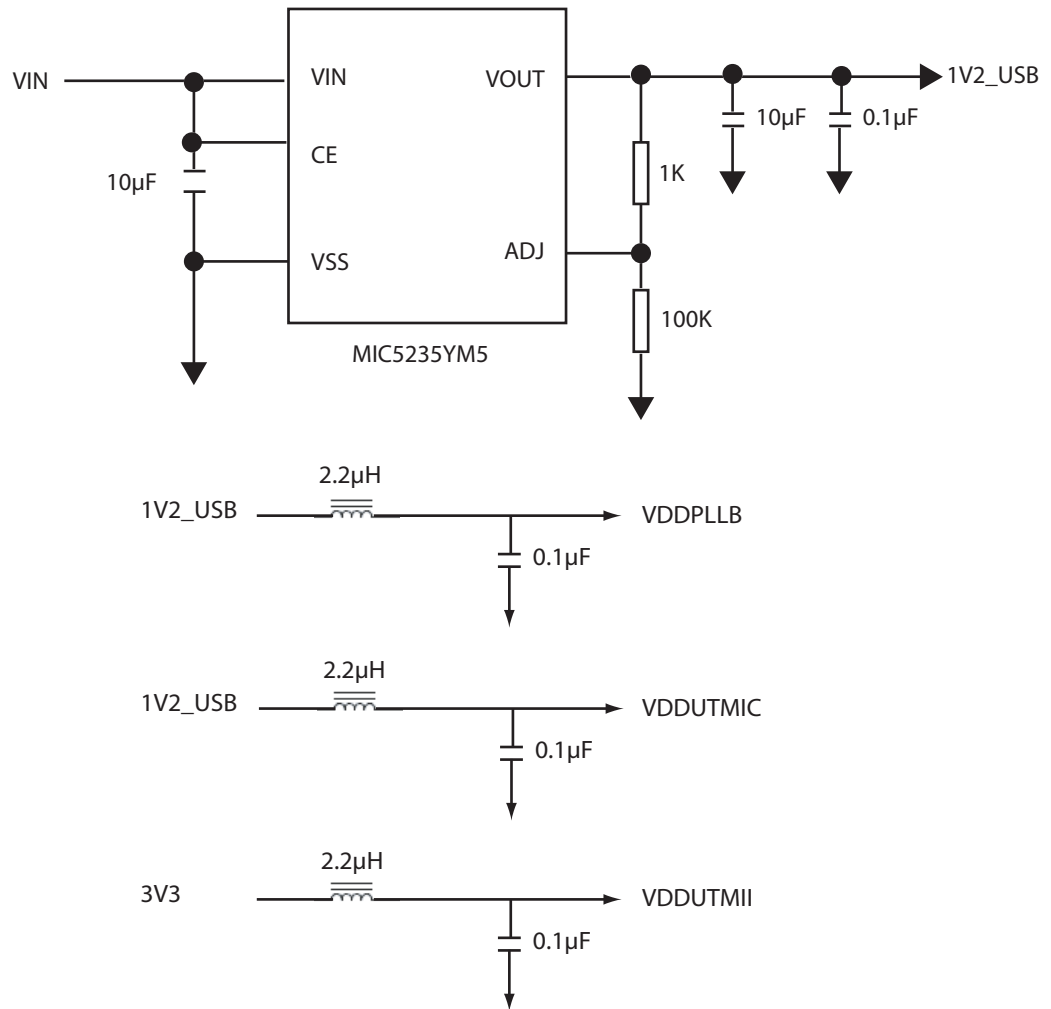
To achieve the best performances on the UDPHS, care must be taken in the power supplies choice and especially on VDDPLLB, VDDUTMIC and VDDUTMII.

The USB High speed requires power supplies with a ripple voltage < 20 mV on VDDPLLB and VDDUTMIC. The VDDUTMII powering the UTMI transceiver must also be filtered.

It is highly recommended to use an LDO linear regulator to generate the 1.2 volts for both VDDPLLB and VDDUTMIC. VDDUTMII can be connected on the 3.3 volts of the system via an LC filter.

The figure below gives an example of VDDPLLB, VDDUTMIC and VDDUTMII.

Figure 5-1. Example of PLL and USB Power Supplies



5.2 Power Consumption

The AT91SAM9R64/RL64 consumes about 450 μ A of static current on VDDCORE at 25°C and up to 4 mA at 85°C.

On VDDBU, the current does not exceed 5 μ A @25°C and 30 μ A @85°C.

For dynamic power consumption, the AT91SAM9R64/RL64 consumes a maximum of 70 mA on VDDCORE in worst case conditions (1.2V, 85°C, processor running full-performance algorithm).

5.3 Programmable I/O Lines Power Supplies

The power supplies pins VDDIOM support two voltage ranges. This allows the device to reach its maximum speed either out of 1.8V or 3.3V external memories.

The maximum speed is MCK on the pin SDCK (SDRAM Clock) loaded with 30pF for power supply at 1.8V and 50 pF for power supply at 3.3V.

The maximum speed on the other signals of the External Bus Interface (control, address and data signals) is 50 MHz.

The voltage ranges are determined by programming registers in the Chip Configuration registers located in the Matrix User Interface.

At reset, the selected voltage defaults to 3.3V nominal and power supply pins can accept either 1.8V or 3.3V. The user must make sure to program the EBI voltage range before getting the device out of its Slow Clock Mode.

The PIO lines are supplied through VDDIOP and the speed of the signal that can be driven on them can reach 50 MHz with 50 pF load.

6. I/O Line Considerations

6.1 JTAG Port Pins

TMS, TDI and TCK are schmitt trigger inputs and have no pull-up resistors.

TDO is an output, driven at up to VDDIOP, and have no pull-up resistor.

The JTAGSEL pin is used to select the JTAG boundary scan when asserted at a high level. It integrates a permanent pull-down resistor of about 15 k Ω to GNDBU, so that it can be left unconnected for normal operations.

All the JTAG signals are supplied with VDDIOP except JTAGSEL supplied by VDDBU.

6.2 Test Pin

The TST pin is used for manufacturing test purposes when asserted high. It integrates a permanent pull-down resistor of about 15 k Ω to GNDBU, so that it can be left unconnected for normal operations. Driving this line at a high level leads to unpredictable results.

This pin is supplied with VDDBU.

6.3 Reset Pins

NRST is an open-drain output integrating a non-programmable pull-up resistor. It can be driven with voltage at up to VDDIOP.

As the product integrates power-on reset cells, which manages the processor and the JTAG reset, the NRST and NTRST pin can be left unconnected.

The NRST and NTRST pins integrates a permanent pull-up resistor of 100 k Ω typical to VDDIOP.

The NRST signal is inserted in the Boundary Scan.

6.4 PIO Controllers

All the I/O lines which are managed by the PIO Controllers integrate a programmable pull-up resistor. Refer to the section “AT91SAM9R64/RL64 Electrical Characteristics” in the product datasheet for more details.

After reset, all the I/O lines default as inputs with pull-up resistors enabled, except those which are multiplexed with the External Bus Interface signals that require to be enabled as Peripheral at reset. This is explicitly indicated in the column “Reset State” of the PIO Controller multiplexing tables.

6.5 Shutdown Logic Pins

The SHDN pin is an output only, which is driven by the Shutdown Controller only at low level. It can be tied high with an external pull-up resistor at VDDBU only.

The pin WKUP is an input-only. It can accept voltages only between 0V and VDDBU.

7. Processor and Architecture

7.1 ARM926EJ-S Processor

- RISC Processor Based on ARM v5TEJ Architecture with Jazelle technology for Java acceleration
- Two Instruction Sets
 - ARM High-performance 32-bit Instruction Set
 - Thumb High Code Density 16-bit Instruction Set
- DSP Instruction Extensions
- 5-Stage Pipeline Architecture:
 - Instruction Fetch (F)
 - Instruction Decode (D)
 - Execute (E)
 - Data Memory (M)
 - Register Write (W)
- 4-Kbyte Data Cache, 4-Kbyte Instruction Cache
 - Virtually-addressed 4-way Associative Cache
 - Eight words per line
 - Write-through and Write-back Operation
 - Pseudo-random or Round-robin Replacement
- Write Buffer
 - Main Write Buffer with 16-word Data Buffer and 4-address Buffer
 - DCache Write-back Buffer with 8-word Entries and a Single Address Entry
 - Software Control Drain
- Standard ARM v4 and v5 Memory Management Unit (MMU)
 - Access Permission for Sections
 - Access Permission for large pages and small pages can be specified separately for each quarter of the page
 - 16 embedded domains
- Bus Interface Unit (BIU)
 - Arbitrates and Schedules AHB Requests
 - Separate Masters for both instruction and data access providing complete Matrix system flexibility
 - Separate Address and Data Buses for both the 32-bit instruction interface and the 32-bit data interface
 - On Address and Data Buses, data can be 8-bit (Bytes), 16-bit (Half-words) or 32-bit (Words)

7.2 Matrix Masters

The Bus Matrix of the AT91SAM9R64/RL64 product manages 6 masters, which means that each master can perform an access concurrently with others, to an available slave.

Each master has its own decoder, which is defined specifically for each master. In order to simplify the addressing, all the masters have the same decodings.

Table 7-1. List of Bus Matrix Masters

Master 0	DMA Controller
Master 1	USB Device High Speed DMA
Master 2	LCD Controller DMA
Master 3	Peripheral DMA Controller
Master 4	ARM926™ Instruction
Master 5	ARM926 Data

7.3 Matrix Slaves

The Bus Matrix of the AT91SAM9R64/RL64 product manages 6 slaves. Each slave has its own arbiter, allowing a different arbitration per slave.

Table 7-2. List of Bus Matrix Slaves

Slave 0	Internal ROM
Slave 1	Internal SRAM
Slave 2	LCD Controller User Interface
Slave 3	UDP High Speed RAM
Slave 4	External Bus Interface (EBI)
Slave 5	Peripheral Bridge

7.4 Master to Slave Access

All the Masters can normally access all the Slaves. However, some paths do not make sense, for example allowing access from the USB Device High speed DMA to the Internal Peripherals. Thus, these paths are forbidden or simply not wired, and shown as “-” in the following table.

Table 7-3. AT91SAM9R64/RL64 Master to Slave Access

Masters		0	1	2	3	4	5
Slaves		DMA Controller	USB HS Device DMA	LCD Controller DMA	Peripheral DMA	ARM926 Instruction	ARM926 Data
0	Internal ROM	X	X		X	X	X
1	Internal SRAM	X	X	X	X	X	X
2	LCD Controller User Interface	-	-	-	-	X	X
3	UDP High Speed RAM	-	-	-	-	X	X
4	External Bus Interface	X	X	X	X	X	X
5	Peripheral Bridge	X	X	X	-	-	-

7.5 Peripheral DMA Controller (PDC)

- Acting as one AHB Bus Matrix Master
- Allows data transfers from/to peripheral to/from any memory space without any intervention of the processor.
- Next Pointer support, prevents strong real-time constraints on buffer management.

The Peripheral DMA Controller handles transfer requests from the channel according to the following priorities (Low to High priorities):

- a. TWI0 Transmit Channel
- b. DBGU Transmit Channel
- c. USART3 Transmit Channel
- d. USART2 Transmit Channel
- e. USART1 Transmit Channel
- f. USART0 Transmit Channel
- g. AC97 Transmit Channel
- h. SPI Transmit Channel
- i. SSC1 Transmit Channel
- j. SSC0 Transmit Channel
- k. TWI0 Receive Channel
- l. DBGU Receive Channel
- m. ADC Receive Channel
- n. USART3 Receive Channel
- o. USART2 Receive Channel
- p. USART1 Receive Channel
- q. USART0 Receive Channel
- r. AC97 Receive Channel
- s. SPI Receive Channel
- t. SSC1 Receive Channel
- u. SSC0 Transmit Channel
- v. MCI Receive/Transmit Channel

7.6 DMA Controller

- Acting as one Matrix Master
- Embeds 2 channels
- 16 bytes/FIFO for Channel Buffering
- Linked List support with Status Write Back operation at End of Transfer
- Word, Half-word, Byte transfer support

7.7 Debug and Test Features

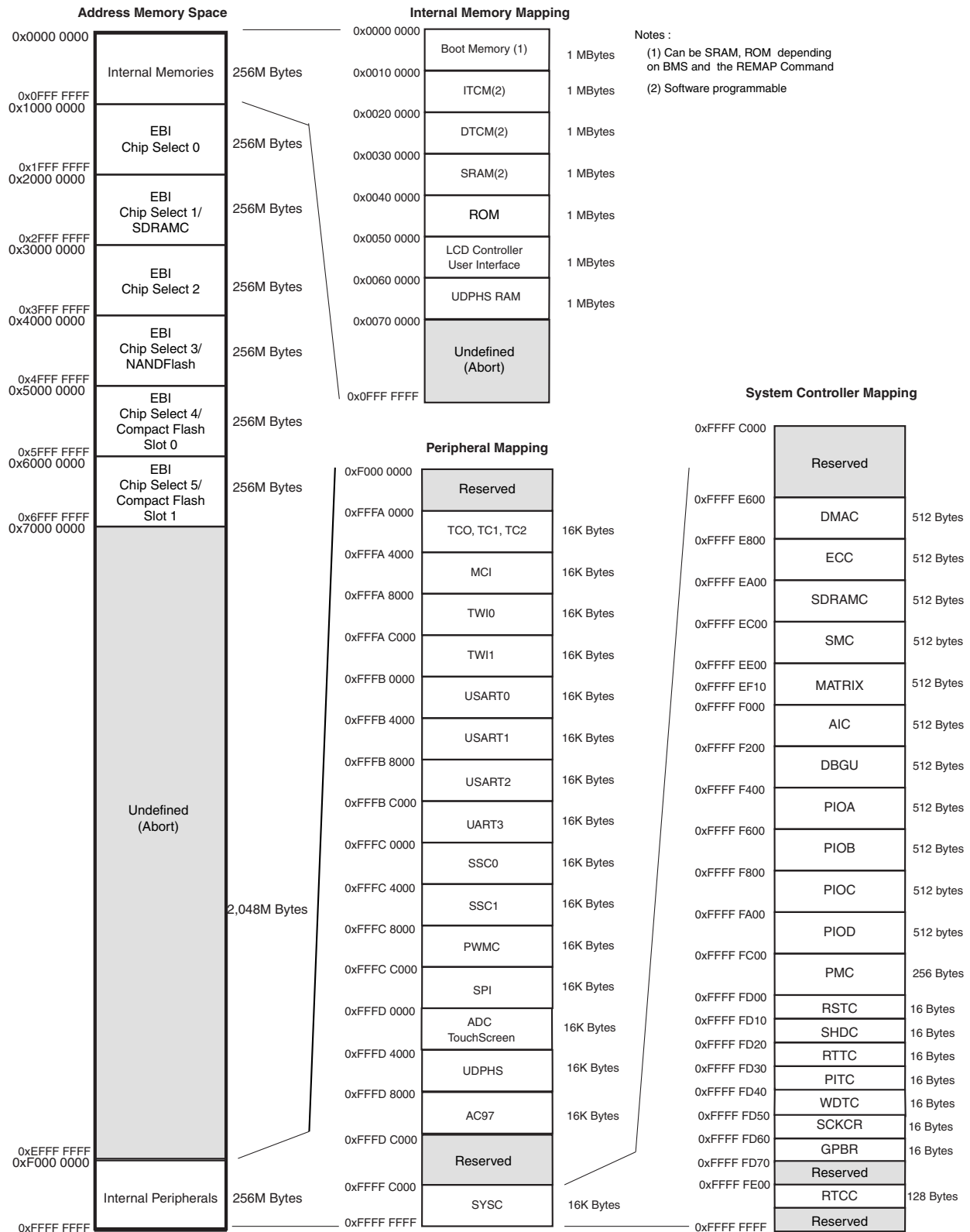
- ARM926 Real-time In-circuit Emulator
 - Two real-time Watchpoint Units
 - Two Independent Registers: Debug Control Register and Debug Status Register
 - Test Access Port Accessible through JTAG Protocol



- Debug Communications Channel
- Debug Unit
 - Two-pin UART
 - Debug Communication Channel Interrupt Handling
 - Chip ID Register
- IEEE1149.1 JTAG Boundary-scan on All Digital Pins

8. Memories

Figure 8-1. AT91SAM9R64/RL64 Memory Mapping



A first level of address decoding is performed by the AHB Bus Matrix, i.e., the implementation of the Advanced High performance Bus (AHB) for its Master and Slave interfaces with additional features.

Decoding breaks up the 4G bytes of address space into 16 banks of 256M bytes. The banks 1 to 8 are directed to the EBI that associates these banks to the external chip selects EBI_NCS0 to EBI_NCS5. The bank 0 is reserved for the addressing of the internal memories, and a second level of decoding provides 1M byte of internal memory area. The bank 15 is reserved for the peripherals and provides access to the Advanced Peripheral Bus (APB).

Other areas are unused and performing an access within them provides an abort to the master requesting such an access.

8.1 Embedded Memories

- 32 KB ROM
 - Single Cycle Access at full bus speed
- 64 KB Fast SRAM
 - Single Cycle Access at full bus speed
 - Supports ARM926EJ-S TCM interface at full processor speed

8.1.1 Internal Memory Mapping

[Table 8-1](#) summarizes the Internal Memory Mapping for each Master, depending on the Remap status (RCBx bit) and the BMS state at reset.

Table 8-1. Internal Memory Mapping

Address	RCBx ⁽¹⁾ = 0		RCBx ⁽¹⁾ = 1
	BMS = 1	BMS = 0	
0x0000 0000	ROM	EBI_NCS0 ⁽²⁾	SRAM

- Notes:
1. x = 0 to maximum Master number.
 2. EBI NCS0 is to be connected to a 16-bit non-volatile memory. The access configuration is defined by the reset state of SMC Setup, SMC Pulse, SMC Cycle and SMC Mode CS0 registers.

8.1.1.1 Internal SRAM

The AT91SAM9R64/RL64 product embeds a total of 64Kbyte high-speed SRAM split in 4 blocks of 16KBytes.

After reset and until the Remap Command is performed, the SRAM is only accessible at address 0x0030 0000.

After Remap, the SRAM also becomes available at address 0x0.

This Internal SRAM can be allocated to three areas. Its Memory Mapping is detailed in [Table 8-2](#).

- Internal SRAM A is the ARM926EJ-S Instruction TCM. The user can map this SRAM block anywhere in the ARM926 instruction memory space using CP15 instructions and the TCR configuration register located in the Chip Configuration User Interface. This SRAM block is also accessible by the ARM926 Data Master and by the AHB Masters through the AHB bus at address 0x0010 0000.

- Internal SRAM B is the ARM926EJ-S Data TCM. The user can map this SRAM block anywhere in the ARM926 data memory space using CP15 instructions. This SRAM block is also accessible by the ARM926 Data Master and by the AHB Masters through the AHB bus at address 0x0020 0000.
- Internal SRAM C is only accessible by all the AHB Masters. After reset and until the Remap Command is performed, this SRAM block is accessible through the AHB bus at address 0x0030 0000 by all the AHB Masters. After Remap, this SRAM block also becomes accessible through the AHB bus at address 0x0 by the ARM926 Instruction and the ARM926 Data Masters.

Within the 64Kbyte SRAM size available, the amount of memory assigned to each block is software programmable as a multiple of 16K Bytes according to [Table 8-2](#). This Table provides the size of the Internal SRAM C according to the size of the Internal SRAM A and the Internal SRAM B.

Table 8-2. Internal SRAM Block Size

Remaining Internal SRAM C		Internal SRAM A (ITCM) Size		
		0	16K Bytes	32K Bytes
Internal SRAM B (DTCM) size	0	64K Bytes	48K Bytes	32K Bytes
	16K Bytes	48K Bytes	32K Bytes	16K Bytes
	32K Bytes	32K Bytes	16K Bytes	0K Bytes

At reset, the whole memory is assigned to Internal SRAM C.

The memory blocks assigned to SRAM A, SRAM B and SRAM C areas are not contiguous and when the user dynamically changes the Internal SRAM configuration, the new 16-Kbyte block organization may affect the previous configuration from a software point of view.

[Table 8-3](#) illustrates different configurations and the related 16-Kbyte blocks (RB0 to RB3) assignments.

Table 8-3. 16-Kbyte Block Allocation example

Decoded Area	Address	Configuration examples and related 16-Kbyte block assignments								
		I = 0K D = 0K A = 64K ⁽¹⁾	I = 16K D = 0K A = 48K	I = 32K D = 0K A = 32K	I = 0K D = 16K A = 48K	I = 16K D = 16K A = 32K	I = 32K D = 16K A = 16K	I = 0K D = 32K A = 32K	I = 16K D = 32K A = 16K	I = 32K D = 32K A = 0K
Internal SRAM A (ITCM)	0x0010 0000		RB1	RB1		RB1	RB1		RB1	RB1
	0x0010 4000			RB0			RB0			RB0
Internal SRAM B (DTCM)	0x0020 0000				RB3	RB3	RB3	RB3	RB3	RB3
	0x0020 4000							RB2	RB2	RB2
Internal SRAM C (AHB)	0x0030 0000	RB3	RB3	RB3	RB2	RB2	RB2	RB1	RB0	
	0x0030 4000	RB2	RB2	RB2	RB1	RB0		RB0		
	0x0030 8000	RB1	RB0		RB0					
	0x0030 C000	RB0								

Note: 1. Configuration after reset.

When accessed from the AHB, the internal Fast SRAM is single cycle accessible at full matrix speed (MCK). When accessed from the processor's TCM Interface, they are also single cycle accessible at full processor speed.

8.1.1.2 *Internal ROM*

The AT91SAM9R64/RL64 embeds an Internal ROM, which contains the SAM-BA program.

At any time, the ROM is mapped at address 0x0040 0000. It is also accessible at address 0x0 (BMS =1) after the reset and before the Remap Command.

8.1.2 **Boot Strategies**

The system always boots at address 0x0. To ensure maximum boot possibilities, the memory layout can be changed with two parameters.

REMAP allows the user to layout the internal SRAM bank to 0x0 to ease the development. This is done by software once the system has boot. Refer to the Bus Matrix Section for more details.

When REMAP = 0 BMS allows the user to lay out to 0x0, at his convenience, the ROM or an external memory. This is done by a hardware way at reset.

Note: All the memory blocks can always be seen at their specified base addresses that are not concerned by these parameters.

The AT91SAM9R64/RL64 Bus Matrix manages a boot memory that depends on the level on the pin BMS at reset. The internal memory area mapped between address 0x0 and 0x000F FFFF is reserved to this effect.

If BMS is detected at 1, the boot memory is the embedded ROM.

If BMS is detected at 0, the boot memory is the memory connected on the Chip Select 0 of the External Bus Interface.

8.1.2.1 *BMS = 1, boot on embedded ROM*

The system boots on Boot Program.

- Boot on on-chip RC
- Enable the 32768 Hz oscillator
- Auto baudrate detection
- Downloads and runs an application from external storage media into internal SRAM
- Downloaded code size depends on embedded SRAM size
- Automatic detection of valid application
- Bootloader on a non-volatile memory
 - SDCard
 - NAND Flash
 - SPI DataFlash[®] connected on NPC0 of the SPI0
- SAM-BA Boot in case no valid program is detected in external NVM, supporting
 - Serial communication on a DBGU
 - USB Device HS Port

8.1.2.2 *BMS = 0, boot on external memory*

- Boot on on-chip RC

- Boot with the default configuration for the Static Memory Controller, byte select mode, 16-bit data bus, Read/Write controlled by Chip Select, allows boot on 16-bit non-volatile memory.

For optimization purposes, nothing else is done. To speed up the boot sequence user programmed software should perform a complete configuration:

- Enable the 32768 Hz oscillator if best accuracy needed
- Program the PMC (main oscillator enable or bypass mode)
- Program and Start the PLL
- Reprogram the SMC setup, cycle, hold, mode timings registers for CS0 to adapt them to the new clock
- Switch the main clock to the new value

8.2 External Memories

The AT91SAM9R64/RL64 features one External Bus Interface to offer interface to a wide range of external memories and to any parallel peripheral.

8.2.1 External Bus Interface

- Integrates three External Memory Controllers:
 - Static Memory Controller
 - SDRAM Controller
 - SLC Nand Flash ECC Controller
- Additional logic for NAND Flash and CompactFlash™
- Optional Full 32-bit External Data Bus
- Up to 26-bit Address Bus (up to 64MBytes linear per chip select)
- Up to 6 chips selects, Configurable Assignment:
 - Static Memory Controller on NCS0
 - SDRAM Controller (SDCS) or Static Memory Controller on NCS1
 - Static Memory Controller on NCS2
 - Static Memory Controller on NCS3, Optional NAND Flash support
 - Static Memory Controller on NCS4 - NCS5, Optional CompactFlash^M support

8.2.2 Static Memory Controller

- 8-, 16- or 32-bit Data Bus
- Multiple Access Modes supported
 - Byte Write or Byte Select Lines
 - Asynchronous read in Page Mode supported (4- up to 32-byte page size)
- Multiple device adaptability
 - Control signals programmable setup, pulse and hold time for each Memory Bank
- Multiple Wait State Management
 - Programmable Wait State Generation
 - External Wait Request
 - Programmable Data Float Time
- Slow Clock mode supported

8.2.3 SDRAM Controller

- Supported devices:
 - Standard and Low Power SDRAM (Mobile SDRAM)
 - 2K, 4K, 8K Row Address Memory Parts
 - SDRAM with two or four Internal Banks
 - SDRAM with 16- or 32-bit Data Path
- Programming facilities
 - Word, half-word, byte access
 - Automatic page break when Memory Boundary has been reached
 - Multibank Ping-pong Access
 - Timing parameters specified by software
 - Automatic refresh operation, refresh rate is programmable
- Energy-saving capabilities
 - Self-refresh, power down and deep power down modes supported
- Error detection
 - Refresh Error Interrupt
- SDRAM Power-up Initialization by software
- SDRAM CAS Latency of 1, 2 and 3 supported
- Auto Precharge Command not used

8.2.4 NAND Flash Error Corrected Code Controller

- Tracking the accesses to a NAND Flash device by triggering on the corresponding chip select
- Single bit error correction and 2-bit Random detection.
- Automatic Hamming Code Calculation while writing
 - ECC value available in a register
- Automatic Hamming Code Calculation while reading
 - Error Report, including error flag, correctable error flag and word address being detected erroneous
 - Support 8- or 16-bit NAND Flash devices with 512-, 1024-, 2048- or 4096-bytes pages

9. System Controller

The System Controller is a set of peripherals, which allow handling of key elements of the system, such as power, resets, clocks, time, interrupts, watchdog, etc.

The System Controller User Interface embeds also the registers allowing to configure the Matrix and a set of registers configuring the EBI chip select assignment and the voltage range for external memories.

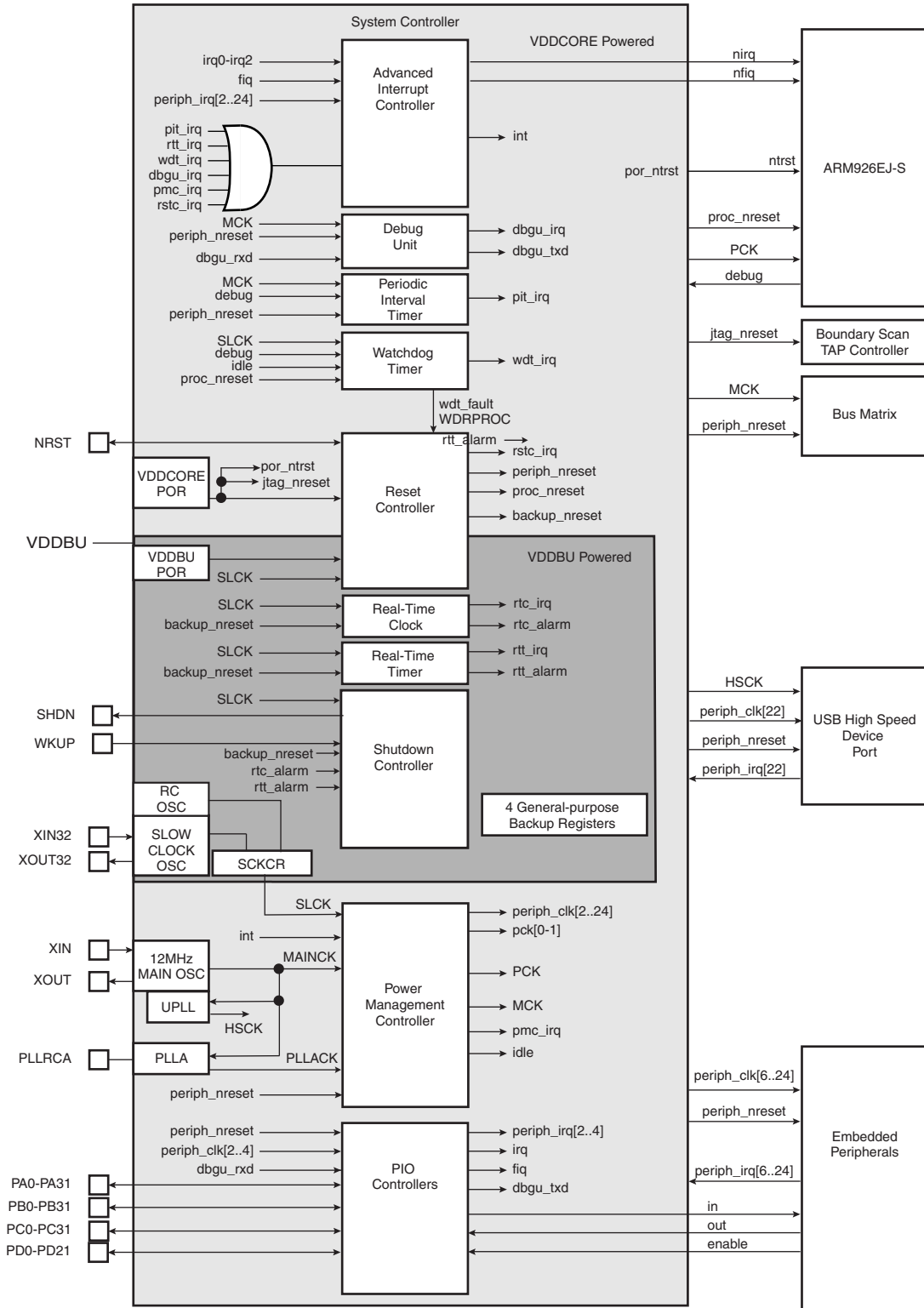
9.1 System Controller Mapping

As shown in [Figure 8-1](#), the System Controller's peripherals are all mapped within the highest 16K bytes of the 4 Gbyte address space, between addresses 0xFFFF C000 and 0xFFFF FFFF.

However, all the registers of System Controller are mapped on the top of the address space. This allows addressing all the registers of the System Controller from a single pointer by using the standard ARM instruction set, as the Load/Store instruction have an indexing mode of +/- 4kbytes.

9.2 Block Diagram

Figure 9-1. System Controller Block Diagram



9.3 Reset Controller

The Reset Controller is based on two Power-on-Reset cells, one on VDDBU and one on VDDCORE.

The Reset Controller is capable to return to the software the source of the last reset, either a general reset (VDDBU rising), a wake-up reset (VDDCORE rising), a software reset, a user reset or a watchdog reset.

The Reset Controller controls the internal resets of the system and the NRST pin output. It is capable to shape a reset signal for the external devices, simplifying to a minimum connection of a push-button on the NRST pin to implement a manual reset.

The configuration of the Reset Controller is saved as supplied on VDDBU.

9.4 Shutdown Controller

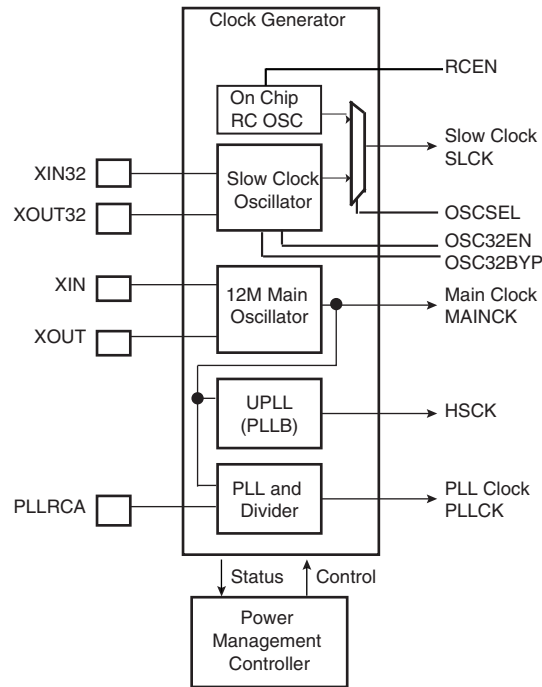
The Shutdown Controller is supplied on VDDBU and allows a software-controllable shut down of the system through the pin SHDN. An input change of the WKUP pin or an alarm releases the SHDN pin, and thus wakes up the system power supply.

9.5 Clock Generator

The Clock Generator is made up of:

- One low-power 32768 Hz Slow Clock Oscillator with bypass mode
- One low-power RC oscillator
- One 12 MHz Main Oscillator, which can be bypassed
- One 480 MHz PLL (UPLL or PLLB) providing a clock for the USB High Speed Device Controller
- One 80 to 240 MHz programmable PLL, providing the PLL Clock (PLLCK). This PLL has an input divider to offer a wider range of output frequencies from the 12 MHz input, the only limitation being the lowest input frequency shall be higher or equal to 1 MHz.

Figure 9-2. Clock Generator Block Diagram



9.6 Slow Clock Selection

9.6.1 Description

The AT91SAM9R64/RL64 slow clock can be generated either by an external 32768Hz crystal or the on-chip RC oscillator. The 32768Hz crystal oscillator can be bypassed to accept an external slow clock on XIN32.

Configuration is located in the slow clock control register (SCKCR) located at address 0xFFFFD50 in the backed up part of the system controller and so is preserved while VDDBU is present.

Refer to the “Clock Generator” section for more details.

9.7 Power Management Controller

The Power Management Controller provides all the clock signals to the system. It provides:

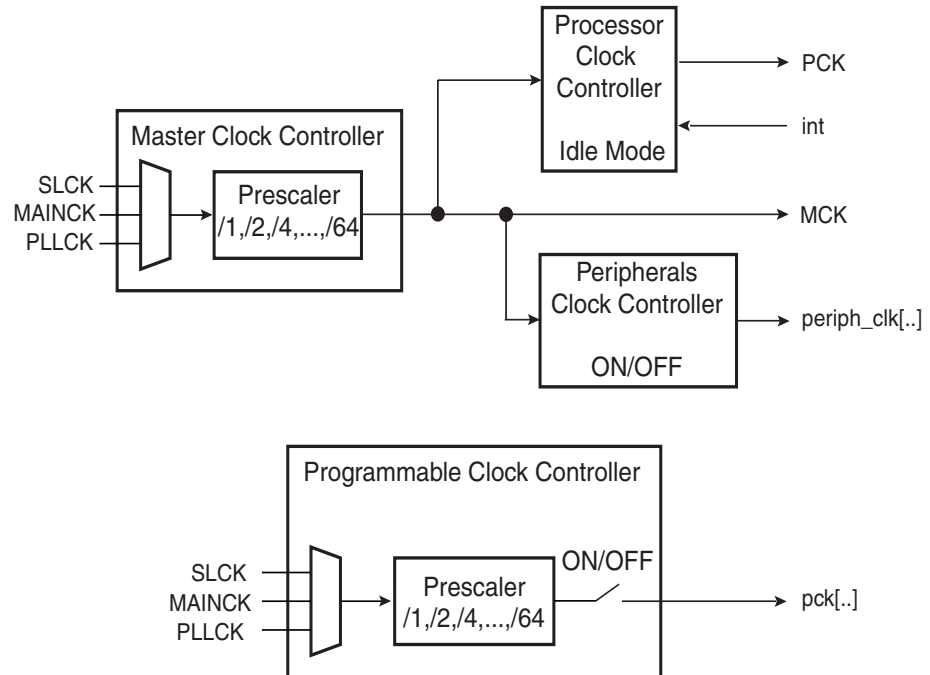
- the Processor Clock PCK
- the Master Clock MCK, in particular to the Matrix and the memory interfaces
- the USB Device HS Clock HSK
- independent peripheral clocks, typically at the frequency of MCK
- two programmable clock outputs: PCK0 and PCK1

This allows the software control of five flexible operating modes:

- Normal Mode, processor and peripherals running at a programmable frequency
- Idle Mode, processor stopped waiting for an interrupt
- Slow Clock Mode, processor and peripherals running at low frequency

- Standby Mode, mix of Idle and Backup Mode, peripheral running at low frequency, processor stopped waiting for an interrupt
- Backup Mode, Main Power Supplies off, VDDBU powered by a battery

Figure 9-3. AT91SAM9R64/RL64 Power Management Controller Block Diagram



9.8 Periodic Interval Timer

- Includes a 20-bit Periodic Counter, with less than 1 μ s accuracy
- Includes a 12-bit Interval Overlay Counter
- Real Time OS or Linux[®]/WindowsCE[®] compliant tick generator

9.9 Watchdog Timer

- 16-bit key-protected only-once-Programmable Counter
- Windowed, prevents the processor to be in a dead-lock on the watchdog access

9.10 Real-Time Timer

- Real-Time Timer, allowing backup of time with different accuracies
 - 32-bit Free-running back-up Counter
 - Integrates a 16-bit programmable prescaler running on slow clock
 - Alarm Register capable to generate a wake-up of the system through the Shut Down Controller

9.11 Real-Time Clock

- Low power consumption
- Full asynchronous design

- Two hundred year calendar
- Programmable Periodic Interrupt
- Alarm and update parallel load
- Control of alarm and update Time/Calendar Data In

9.12 General-Purpose Backed-up Registers

- Four 32-bit backup general-purpose registers

9.13 Advanced Interrupt Controller

- Controls the interrupt lines (nIRQ and nFIQ) of the ARM Processor
- Thirty-two individually maskable and vectored interrupt sources
 - Source 0 is reserved for the Fast Interrupt Input (FIQ)
 - Source 1 is reserved for system peripherals (PIT, RTT, PMC, DBGU, etc.)
 - Programmable Edge-triggered or Level-sensitive Internal Sources
 - Programmable Positive/Negative Edge-triggered or High/Low Level-sensitive
- One External Sources plus the Fast Interrupt signal
- 8-level Priority Controller
 - Drives the Normal Interrupt of the processor
 - Handles priority of the interrupt sources 1 to 31
 - Higher priority interrupts can be served during service of lower priority interrupt
- Vectoring
 - Optimizes Interrupt Service Routine Branch and Execution
 - One 32-bit Vector Register per interrupt source
 - Interrupt Vector Register reads the corresponding current Interrupt Vector
- Protect Mode
 - Easy debugging by preventing automatic operations when protect models are enabled
- Fast Forcing
 - Permits redirecting any normal interrupt source on the Fast Interrupt of the processor

9.14 Debug Unit

- Composed of two functions
 - Two-pin UART
 - Debug Communication Channel (DCC) support
- Two-pin UART
 - Implemented features are 100% compatible with the standard Atmel USART
 - Independent receiver and transmitter with a common programmable Baud Rate Generator
 - Even, Odd, Mark or Space Parity Generation
 - Parity, Framing and Overrun Error Detection
 - Automatic Echo, Local Loopback and Remote Loopback Channel Modes

- Support for two PDC channels with connection to receiver and transmitter
- Debug Communication Channel Support
 - Offers visibility of and interrupt trigger from COMMRX and COMMTX signals from the ARM Processor's ICE Interface

9.15 Chip Identification

- Chip ID: 0x019B03A0
- JTAG ID: 0x05B2003F
- ARM926 TAP ID: 0x0792603F

9.16 PIO Controllers

- 4 PIO Controllers, PIOA, PIOB, PIOC and PIOD, controlling a maximum of 118 I/O Lines
- Each PIO Controller controls up to 32 programmable I/O Lines
 - PIOA has 32 I/O Lines
 - PIOB has 32 I/O Lines
 - PIOC has 32 I/O Lines
 - PIOD has 22 I/O Lines
- Fully programmable through Set/Clear Registers
- Multiplexing of two peripheral functions per I/O Line
- For each I/O Line (whether assigned to a peripheral or used as general purpose I/O)
 - Input change interrupt
 - Glitch filter
 - Multi-drive option enables driving in open drain
 - Programmable pull up on each I/O line
 - Pin data status register, supplies visibility of the level on the pin at any time
- Synchronous output, provides Set and Clear of several I/O lines in a single write

10. Peripherals

10.1 Peripheral Mapping

As shown in [Figure 8-1](#), the Peripherals are mapped in the upper 256M bytes of the address space between the addresses 0xFFFA 0000 and 0xFFFC FFFF.

Each User Peripheral is allocated 16K bytes of address space.

10.2 Peripheral Identifiers

The [Table 10-1](#) defines the Peripheral Identifiers of the AT91SAM9R64/RL64. A peripheral identifier is required for the control of the peripheral interrupt with the Advanced Interrupt Controller and for the control of the peripheral clock with the Power Management Controller.

Table 10-1. AT91SAM9R64/RL64 Peripheral Identifiers

Peripheral ID	Peripheral Mnemonic	Peripheral Name	External Interrupt
0	AIC	Advanced Interrupt Controller	FIQ
1	SYSC	System Controller Interrupt	
2	PIOA	Parallel I/O Controller A,	
3	PIOB	Parallel I/O Controller B	
4	PIOC	Parallel I/O Controller C	
5	PIOD	Parallel I/O Controller D	
6	US0	USART 0	
7	US1	USART 1	
8	US2	USART 2	
9	US3	USART 3	
10	MCI	Multimedia Card Interface	
11	TWI0	Two-Wire Interface 0	
12	TWI1	Two-Wire Interface 1	
13	SPI	Serial Peripheral Interface	
14	SSC0	Synchronous Serial Controller 0	
15	SSC1	Synchronous Serial Controller 1	
16	TC0	Timer Counter 0	
17	TC1	Timer Counter 1	
18	TC2	Timer Counter 2	
19	PWMC	Pulse Width Modulation Controller	
20	TSADCC	Touch Screen ADC Controller	
21	DMAC	DMA Controller	
22	UDPHS	USB Device High Speed	
23	LCDC	LCD Controller (AT91SAM9RL64 only)	
24	AC97	AC97 Controller	
25-30	-	Reserved	
31	AIC	Advanced Interrupt Controller	IRQ

Note: Setting AIC, SYSIRQ, LCDC and IRQ bits in the clock set/clear registers of the PMC has no effect.

10.3 Peripheral Interrupts and Clock Control

10.3.1 System Interrupt

The System Interrupt in Source 1 is the wired-OR of the interrupt signals coming from:

- the SDRAM Controller
- the Debug Unit
- the Periodic Interval Timer
- the Real-time Timer
- the Real-time Clock
- the Watchdog Timer
- the Reset Controller
- the Power Management Controller

The clock of these peripherals cannot be deactivated and Peripheral ID 1 can only be used within the Advanced Interrupt Controller.

10.3.2 External Interrupts

All external interrupt signals, i.e., the Fast Interrupt signal FIQ or the Interrupt signal IRQ, use a dedicated Peripheral ID. However, there is no clock control associated with these peripheral IDs.

10.4 Peripherals Signals Multiplexing on I/O Lines

The AT91SAM9R64/RL64 features 4 PIO controllers, PIOA, PIOB, PIOC and PIOD, which multiplexes the I/O lines of the peripheral set.

Each PIO Controller controls up to 32 lines. Each line can be assigned to one of two peripheral functions, A or B. The multiplexing tables in the following paragraphs define how the I/O lines of the peripherals A and B are multiplexed on the PIO Controllers. The two columns “Function” and “Comments” have been inserted in this table for the user’s own comments; they may be used to track how pins are defined in an application.

Note that some peripheral functions which are output only, might be duplicated within the both tables.

The column “Reset State” indicates whether the PIO Line resets in I/O mode or in peripheral mode. If I/O is mentioned, the PIO Line resets in input with the pull-up enabled, so that the device is maintained in a static state as soon as the reset is released. As a result, the bit corresponding to the PIO Line in the register PIO_PSR (Peripheral Status Register) resets low.

If a signal name is mentioned in the “Reset State” column, the PIO Line is assigned to this function and the corresponding bit in PIO_PSR resets high. This is the case for pins controlling memories, in particular the address lines, which require the pin to be driven as soon as the reset is released. Note that the pull-up resistor is also enabled in this case.

The AT91SAM9RL64 and AT91SAM9R64 do not have the same peripheral signal multiplexing, each one follows.

10.4.1 AT91SAM9RL64 PIO Multiplexing

10.4.1.1 AT91SAM9RL64 PIO Controller A Multiplexing

Table 10-2. AT91SAM9RL64 Multiplexing on PIO Controller A

PIO Controller A					Application Usage	
I/O Line	Peripheral A	Peripheral B	Reset State	Power Supply	Function	Comments
PA0	MC_DA0		I/O	VDDIOP		
PA1	MC_CDA		I/O	VDDIOP		
PA2	MC_CK		I/O	VDDIOP		
PA3	MC_DA1	TCLK0	I/O	VDDIOP		
PA4	MC_DA2	TIOA0	I/O	VDDIOP		
PA5	MC_DA3	TIOB0	I/O	VDDIOP		
PA6	TXD0		I/O	VDDIOP		
PA7	RXD0		I/O	VDDIOP		
PA8	SCK0	RF1	I/O	VDDIOP		
PA9	RTS0	RK1	I/O	VDDIOP		
PA10	CTS0	RK0	I/O	VDDIOP		
PA11	TXD1		I/O	VDDIOP		
PA12	RXD1		I/O	VDDIOP		
PA13	TXD2	TD1	I/O	VDDIOP		
PA14	RXD2	RD1	I/O	VDDIOP		
PA15	TD0		I/O	VDDIOP		
PA16	RD0		I/O	VDDIOP		
PA17	AD0		I/O	VDDANA		
PA18	AD1	RTS1	I/O	VDDANA		
PA19	AD2	CTS1	I/O	VDDANA		
PA20	AD3	SCK3	I/O	VDDANA		
PA21	DRXD		I/O	VDDIOP		
PA22	DTXD	RF0	I/O	VDDIOP		
PA23	TWD0		I/O	VDDIOP		
PA24	TWCK0		I/O	VDDIOP		
PA25	MISO		I/O	VDDIOP		
PA26	MOSI		I/O	VDDIOP		
PA27	SPCK		I/O	VDDIOP		
PA28	NPCS0		I/O	VDDIOP		
PA29	RTS2	TF1	I/O	VDDIOP		
PA30	CTS2	TK1	I/O	VDDIOP		
PA31	NWAIT	IRQ	I/O	VDDIOP		

10.4.1.2 AT91SAM9RL64 PIO Controller B Multiplexing

Table 10-3. AT91SAM9RL64 Multiplexing on PIO Controller B

PIO Controller B				Application Usage		
I/O Line	Peripheral A	Peripheral B	Reset State	Power Supply	Function	Comments
PB0	TXD3		I/O	VDDIOP		
PB1	RXD3		I/O	VDDIOP		
PB2	A21/NANDALE		A21	VDDIOM		
PB3	A22/NANDCLE		A22	VDDIOM		
PB4	NANDOE		I/O	VDDIOM		
PB5	NANDWE		I/O	VDDIOM		
PB6	NCS3/NANDCS		I/O	VDDIOM		
PB7	NCS4/CFCS0	NPCS1	I/O	VDDIOM		
PB8	CFCE1	PWM0	I/O	VDDIOM		
PB9	CFCE2	PWM1	I/O	VDDIOM		
PB10	A25/CFRNW	FIQ	A25	VDDIOM		
PB11	A18		A18	VDDIOM		
PB12	A19		A19	VDDIOM		
PB13	A20		A20	VDDIOM		
PB14	A23	PCK0	A23	VDDIOM		
PB15	A24	ADTRG	A24	VDDIOM		
PB16	D16		I/O	VDDIOM		
PB17	D17		I/O	VDDIOM		
PB18	D18		I/O	VDDIOM		
PB19	D19		I/O	VDDIOM		
PB20	D20		I/O	VDDIOM		
PB21	D21		I/O	VDDIOM		
PB22	D22		I/O	VDDIOM		
PB23	D23		I/O	VDDIOM		
PB24	D24		I/O	VDDIOM		
PB25	D25		I/O	VDDIOM		
PB26	D26		I/O	VDDIOM		
PB27	D27		I/O	VDDIOM		
PB28	D28		I/O	VDDIOM		
PB29	D29		I/O	VDDIOM		
PB30	D30		I/O	VDDIOM		
PB31	D31		I/O	VDDIOM		

10.4.1.3 AT91SAM9RL64 PIO Controller C Multiplexing

Table 10-4. AT91SAM9RL64 Multiplexing on PIO Controller C

PIO Controller C					Application Usage	
I/O Line	Peripheral A	Peripheral B	Reset State	Power Supply	Function	Comments
PC0	TF0		I/O	VDDIOP		
PC1	TK0	LCDPWR	I/O	VDDIOP		
PC2	LCDMOD	PWM0	I/O	VDDIOP		
PC3	LCDC	PWM1	I/O	VDDIOP		
PC4	LCDVSYNC		I/O	VDDIOP		
PC5	LCDHSYNC		I/O	VDDIOP		
PC6	LCDDOTCK		I/O	VDDIOP		
PC7	LCDDEN		I/O	VDDIOP		
PC8	LCDD0	LCDD2	I/O	VDDIOP		
PC9	LCDD1	LCDD3	I/O	VDDIOP		
PC10	LCDD2	LCDD4	I/O	VDDIOP		
PC11	LCDD3	LCDD5	I/O	VDDIOP		
PC12	LCDD4	LCDD6	I/O	VDDIOP		
PC13	LCDD5	LCDD7	I/O	VDDIOP		
PC14	LCDD6	LCDD10	I/O	VDDIOP		
PC15	LCDD7	LCDD11	I/O	VDDIOP		
PC16	LCDD8	LCDD12	I/O	VDDIOP		
PC17	LCDD9	LCDD13	I/O	VDDIOP		
PC18	LCDD10	LCDD14	I/O	VDDIOP		
PC19	LCDD11	LCDD15	I/O	VDDIOP		
PC20	LCDD12	LCDD18	I/O	VDDIOP		
PC21	LCDD13	LCDD19	I/O	VDDIOP		
PC22	LCDD14	LCDD20	I/O	VDDIOP		
PC23	LCDD15	LCDD21	I/O	VDDIOP		
PC24	LCDD16	LCDD22	I/O	VDDIOP		
PC25	LCDD17	LCDD23	I/O	VDDIOP		
PC26	LCDD18		I/O	VDDIOP		
PC27	LCDD19		I/O	VDDIOP		
PC28	LCDD20		I/O	VDDIOP		
PC29	LCDD21	TIOA1	I/O	VDDIOP		
PC30	LCDD22	TIOB1	I/O	VDDIOP		
PC31	LCDD23	TCLK1	I/O	VDDIOP		

10.4.1.4 AT91SAM9RL64 PIO Controller D Multiplexing

Table 10-5. AT91SAM9RL64 Multiplexing on PIO Controller D

PIO Controller D					Application Usage		
I/O Line	Peripheral A	Peripheral B	Comments	Reset State	Power Supply	Function	Comments
PD0	NCS2			I/O	VDDIOP		
PD1	AC97_FS			I/O	VDDIOP		
PD2	AC97_CK	SCK1		I/O	VDDIOP		
PD3	AC97_TX	CTS3		I/O	VDDIOP		
PD4	AC97_RX	RTS3		I/O	VDDIOP		
PD5	DTXD	PWM2		I/O	VDDIOP		
PD6	AD4			I/O	VDDANA		
PD7	AD5			I/O	VDDANA		
PD8	NPCS2	PWM3		I/O	VDDIOP		
PD9	SCK2	NPCS3		I/O	VDDIOP		
PD10	TWD1	TIOA2		I/O	VDDIOP		
PD11	TWCK1	TIOB2		I/O	VDDIOP		
PD12	PWM2	PCK1		I/O	VDDIOP		
PD13	NCS5/CFCS1	NPCS3		I/O	VDDIOP		
PD14	DSR0	PWM0		I/O	VDDIOP		
PD15	DTR0	PWM1		I/O	VDDIOP		
PD16	DCD0	PWM2		I/O	VDDIOP		
PD17	RI0			I/O	VDDIOP		
PD18	PWM3			I/O	VDDIOP		
PD19	PCK0			I/O	VDDIOP		
PD20	PCK1			I/O	VDDIOP		
PD21	TCLK2			I/O	VDDIOP		

10.4.2 AT91SAM9R64 PIO Multiplexing

Note: In Table 10-6, Table 10-7, Table 10-8 and Table 10-9, shaded cells indicate I/O lines that are NOT available on the AT91SAM9R64.

10.4.2.1 AT91SAM9R64 PIO Controller A Multiplexing

Table 10-6. AT91SAM9R64 Multiplexing on PIO Controller A

PIO Controller A					Application Usage	
I/O Line	Peripheral A	Peripheral B	Reset State	Power Supply	Function	Comments
PA0	MC_DA0		I/O	VDDIOP		
PA1	MC_CDA		I/O	VDDIOP		
PA2	MC_CK		I/O	VDDIOP		
PA3	MC_DA1	TCLK0	I/O	VDDIOP		
PA4	MC_DA2	TIOA0	I/O	VDDIOP		
PA5	MC_DA3	TIOB0	I/O	VDDIOP		
PA6	TXD0		I/O	VDDIOP		
PA7	RXD0		I/O	VDDIOP		
PA8	NA	NA				Reserved
PA9	NA	NA				Reserved
PA10	CTS0	RK0	I/O	VDDIOP		
PA11	TXD1		I/O	VDDIOP		
PA12	RXD1		I/O	VDDIOP		
PA13	TXD2		I/O	VDDIOP		
PA14	RXD2		I/O	VDDIOP		
PA15	TD0		I/O	VDDIOP		
PA16	RD0		I/O	VDDIOP		
PA17	AD0		I/O	VDDIOP		
PA18	AD1	RTS1	I/O	VDDIOP		
PA19	AD2	CTS1	I/O	VDDIOP		
PA20	NA	NA				Reserved
PA21	DRXD		I/O	VDDIOP		
PA22	DTXD	RF0	I/O	VDDIOP		
PA23	TWD0		I/O	VDDIOP		
PA24	TWCK0		I/O	VDDIOP		
PA25	MISO		I/O	VDDIOP		
PA26	MOSI		I/O	VDDIOP		
PA27	SPCK		I/O	VDDIOP		
PA28	NPCS0		I/O	VDDIOP		
PA29	NA	NA				Reserved
PA30	NA	NA				Reserved
PA31	NWAIT	IRQ	I/O	VDDIOP		

10.4.2.2 AT91SAM9R64 PIO Controller B Multiplexing

Table 10-7. AT91SAM9R64 Multiplexing on PIO Controller B

PIO Controller B				Application Usage		
I/O Line	Peripheral A	Peripheral B	Reset State	Power Supply	Function	Comments
PB0	TXD3		I/O	VDDIOP		
PB1	RXD3		I/O	VDDIOP		
PB2	A21/NANDALE		A21	VDDIOM		
PB3	A22/NANDCLE		A22	VDDIOM		
PB4	NANDOE		I/O	VDDIOM		
PB5	NANDWE		I/O	VDDIOM		
PB6	NCS3/NANDCS		I/O	VDDIOM		
PB7	NCS4/CFCS0	NPCS1	I/O	VDDIOM		
PB8	CFCE1	PWM0	I/O	VDDIOM		
PB9	CFCE2	PWM1	I/O	VDDIOM		
PB10	A25/CFRNW	FIQ	A25	VDDIOM		
PB11	A18		A18	VDDIOM		
PB12	A19		A19	VDDIOM		
PB13	A20		A20	VDDIOM		
PB14	A23	PCK0	A23	VDDIOM		
PB15	A24	ADTRG	A24	VDDIOM		
PB16- PB31	NA	NA				Reserved

10.4.2.3 AT91SAM9R64 PIO Controller C Multiplexing

Table 10-8. AT91SAM9R64 Multiplexing on PIO Controller C

PIO Controller C				Application Usage		
I/O Line	Peripheral A	Peripheral B	Reset State	Power Supply	Function	Comments
PC0	TF0		I/O	VDDIOP		
PC1	TK0		I/O	VDDIOP		
PC2-PC31	NA	NA				Reserved

10.4.2.4 AT91SAM9R64 PIO Controller D Multiplexing

Table 10-9. AT91SAM9R64 Multiplexing on PIO Controller D

PIO Controller D				Application Usage			
I/O Line	Peripheral A	Peripheral B	Comments	Reset State	Power Supply	Function	Comments
PD0-PD17	NA	NA					Reserved
PD18	PWM3			I/O	VDDIOP		
PD19	PCK0			I/O	VDDIOP		
PD20	PCK1			I/O	VDDIOP		
PD21	TCLK2			I/O	VDDIOP		

11. Embedded Peripherals Overview

11.1 Serial Peripheral Interface (SPI)

- Supports communication with serial external devices
 - Four chip selects with external decoder support allow communication with up to 15 peripherals
 - Serial memories, such as DataFlash and 3-wire EEPROMs
 - Serial peripherals, such as ADCs, DACs, LCD Controllers, CAN Controllers and Sensors
 - External co-processors
- Master or slave serial peripheral bus interface
 - 8- to 16-bit programmable data length per chip select
 - Programmable phase and polarity per chip select
 - Programmable transfer delays between consecutive transfers and between clock and data per chip select
 - Programmable delay between consecutive transfers
 - Selectable mode fault detection
- Very fast transfers supported
 - Transfers with baud rates up to MCK
 - The chip select line may be left active to speed up transfers on the same device

11.2 Two-wire Interface (TWI)

- Compatibility with standard two-wire serial memory
- One, two or three bytes for slave address
- Sequential read/write operations
- Supports either master or slave modes
- Compatible with Standard Two-wire Serial Memories
- Master, Multi-master and Slave Mode Operation
- Bit Rate: Up to 400 Kbits
- General Call Supported in Slave mode
- Connection to Peripheral DMA Controller (PDC) Channel Capabilities Optimizes Data Transfers in Master Mode Only
 - One Channel for the Receiver, One Channel for the Transmitter
 - Next Buffer Support

11.3 USART

- Programmable Baud Rate Generator
- 5- to 9-bit full-duplex synchronous or asynchronous serial communications
 - 1, 1.5 or 2 stop bits in Asynchronous Mode or 1 or 2 stop bits in Synchronous Mode
 - Parity generation and error detection
 - Framing error detection, overrun error detection
 - MSB- or LSB-first

- Optional break generation and detection
- By 8 or by-16 over-sampling receiver frequency
- Hardware handshaking RTS-CTS
- Receiver time-out and transmitter timeguard
- Optional Multi-drop Mode with address generation and detection
- Optional Manchester Encoding
- RS485 with driver control signal
- ISO7816, T = 0 or T = 1 Protocols for interfacing with smart cards
 - NACK handling, error counter with repetition and iteration limit
- IrDA modulation and demodulation
 - Communication at up to 115.2 Kbps
- Test Modes
 - Remote Loopback, Local Loopback, Automatic Echo

11.4 Serial Synchronous Controller (SSC)

- Provides serial synchronous communication links used in audio and telecom applications (with CODECs in Master or Slave Modes, I²S, TDM Buses, Magnetic Card Reader, etc.)
- Contains an independent receiver and transmitter and a common clock divider
- Offers a configurable frame sync and data length
- Receiver and transmitter can be programmed to start automatically or on detection of different event on the frame sync signal
- Receiver and transmitter include a data signal, a clock signal and a frame synchronization signal

11.5 AC97 Controller

- Compatible with AC97 Component Specification V2.2
- Capable to Interface with a Single Analog Front end
- Three independent RX Channels and three independent TX Channels
 - One RX and one TX channel dedicated to the AC97 Analog Front end control
 - One RX and one TX channel for data transfers, associated with a PDC
 - One RX and one TX channel for data transfers with no PDC
- Time Slot Assigner allowing to assign up to 12 time slots to a channel
- Channels support mono or stereo up to 20 bit sample length
 - Variable sampling rate AC97 Codec Interface (48KHz and below)

11.6 Timer Counter (TC)

- Three 16-bit Timer Counter Channels
- Wide range of functions including:
 - Frequency Measurement
 - Event Counting
 - Interval Measurement
 - Pulse Generation

- Delay Timing
- Pulse Width Modulation
- Up/down Capabilities
- Each channel is user-configurable and contains:
 - Three external clock inputs
 - Five internal clock inputs
 - Two multi-purpose input/output signals
- Two global registers that act on all three TC Channels

11.7 Pulse Width Modulation Controller (PWM)

- 4 channels, one 16-bit counter per channel
- Common clock generator, providing Thirteen Different Clocks
 - A Modulo n counter providing eleven clocks
 - Two independent Linear Dividers working on modulo n counter outputs
- Independent channel programming
 - Independent Enable Disable Commands
 - Independent Clock Selection
 - Independent Period and Duty Cycle, with Double Bufferization
 - Programmable selection of the output waveform polarity
 - Programmable center or left aligned output waveform

11.8 Multimedia Card Interface (MCI)

- Compatibility with MultiMedia Card Specification Version 3.31
- Compatibility with SD Memory Card Specification Version 1.0
- Compatibility with SDIO Specification Version V1.0.
- Cards clock rate up to Master Clock divided by 2
- Embedded power management to slow down clock rate when not used
- MCI has one slot supporting
 - One MultiMediaCard bus (up to 30 cards) or
 - One SD Memory Card
 - One SDIO Card
- Support for stream, block and multi-block data read and write

11.9 USB High Speed Device Port (UDPHS)

- USB V2.0 high-speed compliant, 480 Mbits per second
- Embedded USB V2.0 UTMI+ high-speed transceiver
- Embedded 4K-byte dual-port RAM for endpoints
- Embedded 6 channels DMA controller
- Suspend/Resume logic
- Up to 3 banks for isochronous and bulk endpoints
- Seven endpoints:

- Endpoint 0: 64 bytes, 1 bank mode
- Endpoint 1 & 2: 1024 bytes, 2 banks mode, HS isochronous capable, DMA
- Endpoint 3 & 4: 1024bytes, 3 banks mode, DMA
- Endpoint 5 & 6: 1024 bytes, 3 banks mode, HS isochronous capable, DMA

11.10 LCD Controller (LCDC)

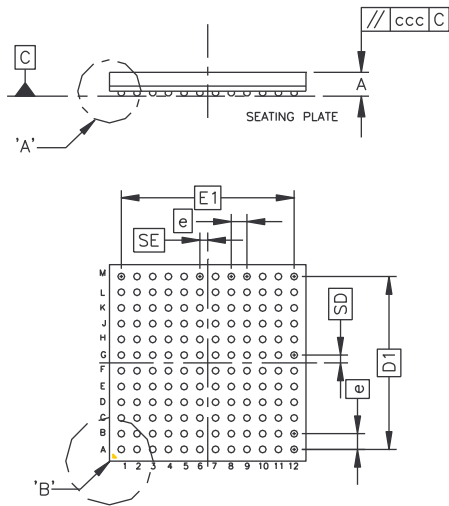
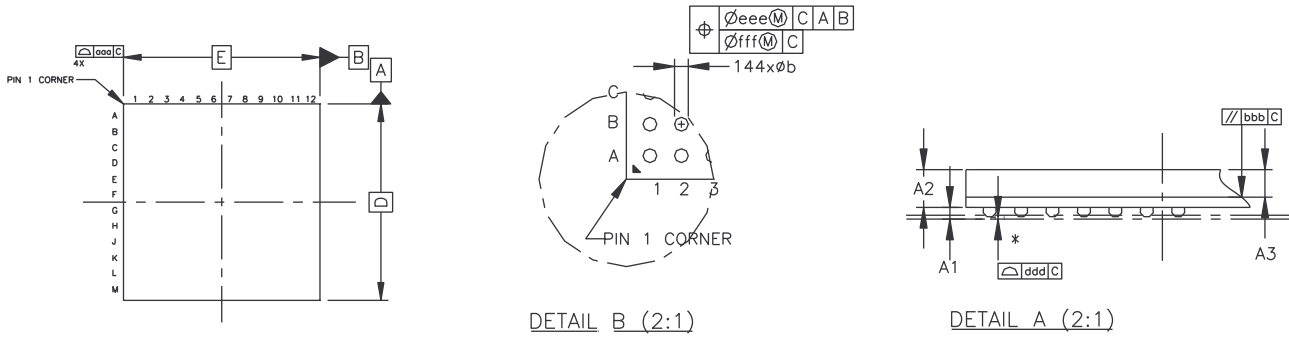
- Single and Dual scan color and monochrome passive STN LCD panels supported
- Single scan active TFT LCD panels supported.
- 4-bit single scan, 8-bit single or dual scan, 16-bit dual scan STN interfaces supported
- Up to 24-bit single scan TFT interfaces supported
- Up to 16 gray levels for mono STN and up to 4096 colors for color STN displays
- 1, 2 bits per pixel (palletized), 4 bits per pixel (non-palletized) for mono STN
- 1, 2, 4, 8 bits per pixel (palletized), 16 bits per pixel (non-palletized) for color STN
- 1, 2, 4, 8 bits per pixel (palletized), 16, 24 bits per pixel (non-palletized) for TFT
- Single clock domain architecture
- Resolution supported up to 2048 x 2048

11.11 Touch Screen Analog-to-digital Converter (TSADCC)

- 6-channel ADC
- Support 4-wire resistive Touch Screen
- 10-bit 384 Ksamples/sec. Successive Approximation Register ADC
- -3/+3 LSB Integral Non Linearity, -2/+2 LSB Differential Non Linearity
- Integrated 6-to-1 multiplexer, offering eight independent 3.3V analog inputs
- External voltage reference for better accuracy on low voltage inputs
- Individual enable and disable of each channel
- Multiple trigger sources
 - Hardware or software trigger
 - External trigger pin
 - Timer Counter 0 to 2 outputs TIOA0 to TIOA2 trigger
- Sleep Mode and conversion sequencer
 - Automatic wakeup on trigger and back to sleep mode after conversions of all enabled channels

12. Package Drawings

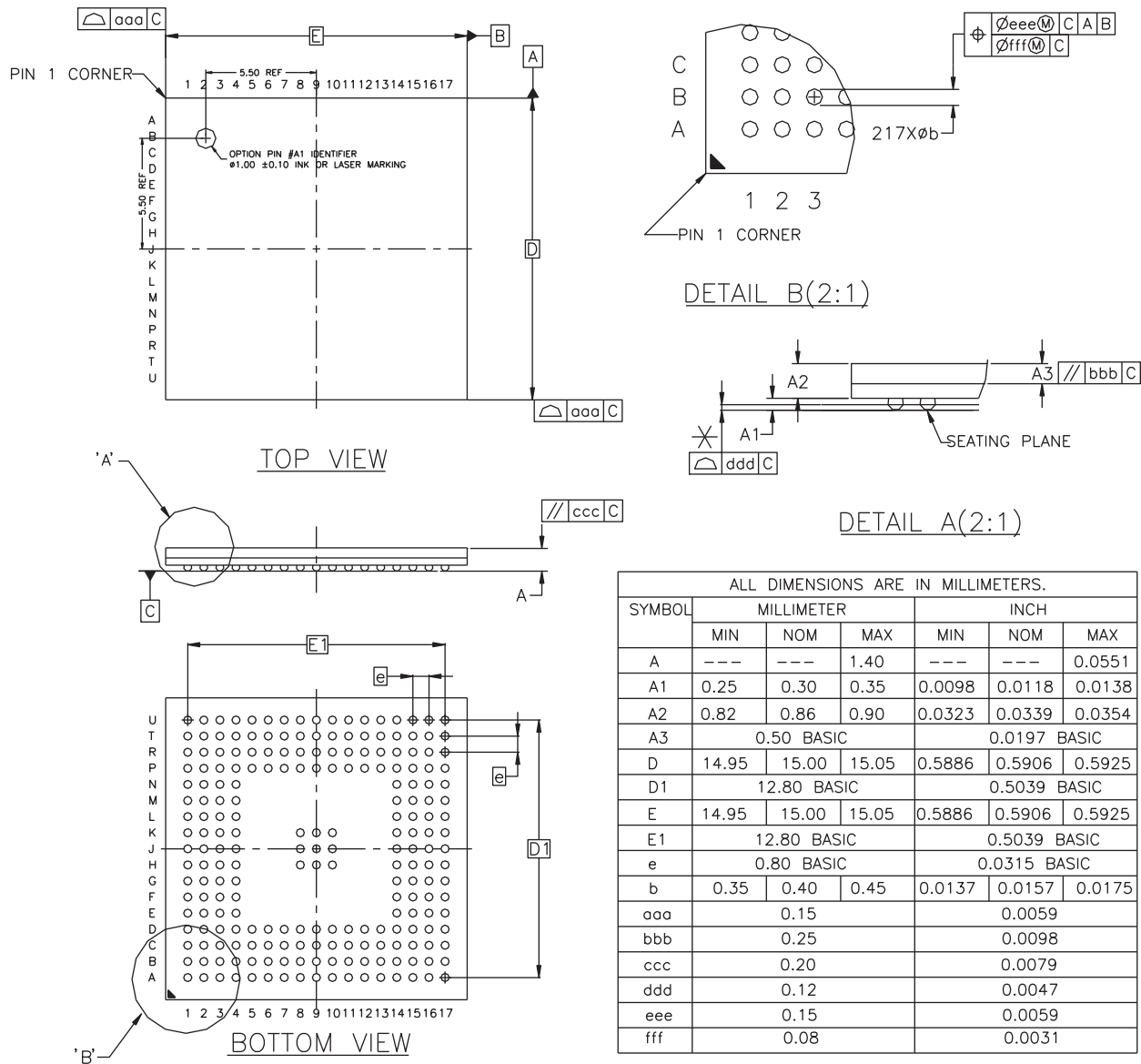
Figure 12-1. 144-ball LFBGA Package Drawing



ALL DIMENSIONS ARE IN MILLIMETERS.

SYMBOL	MILLIMETER			INCH		
	MIN	NOM	MAX	MIN	NOM	MAX
A	---	---	1.40	---	---	0.0551
A1	0.20	0.25	0.30	0.0079	0.0098	0.0118
A2	0.92	0.96	1.00	0.0362	0.0378	0.0394
A3	0.70 BASIC			0.0276 BASIC		
D	9.95	10.00	10.05	0.3917	0.3937	0.3957
D1	8.80 BASIC			0.3465 BASIC		
E	9.95	10.00	10.05	0.3917	0.3937	0.3957
E1	8.80 BASIC			0.3465 BASIC		
SD	0.40 BASIC			0.0157 BASIC		
SE	0.40 BASIC			0.0157 BASIC		
e	0.80 BASIC			0.0315 BASIC		
b	0.30	0.35	0.40	0.0118	0.0138	0.0157
aaa	0.15			0.0059		
bbb	0.20			0.0079		
ccc	0.20			0.0079		
ddd	0.08			0.0031		
eee	0.15			0.0059		
fff	0.08			0.0031		

Figure 12-2. 217-ball LFBGA Package Drawing



13. Ordering Information

Table 13-1. AT91SAM9R64/RL64 Ordering Information

Ordering Code	Package	Package Type	Temperature Operating Range
AT91SAM9R64-CU	LFBGA144	Green	Industrial -40°C to 85°C
AT91SAM9RL64-CU	LFBGA217	Green	

Revision History

Doc. Rev	Comments	Change Request Ref.
6289BS	"Features""Debug Unit (DBGU)" on page 2, updated	5846
	Figure 8-1 "AT91SAM9R64/RL64 Memory Mapping", Internal Memory Mapping updated.	5276
	Table 7-2, "List of Bus Matrix Slaves", Table 7-3, "AT91SAM9R64/RL64 Master to Slave Access", Slave 3 updated.	
	Section 5.1 "Power Supplies", updated with caution on VDDCORE and VDDIO constraints	5291
	Section 5.1.1 "USB Power Supply Considerations" and Figure 5-1 added to datasheet.	5420
	Section 5.2 "Power Consumption", first two sentences updated.	5388
	Table 3-1, "Signal Description List", additional comments on BMS.	5423
6289AS	SHDN comments updated.	rfo
	Table 10-3 and Table 10-7 PB8, PB9 Peripheral A column: typos corrected, "CFCE1", "CFCE2".	5788
	First issue	