

Features

- Medium-voltage and Standard-voltage Operation
 - 2.7 (V_{CC} = 2.7V to 5.5V)
- Automotive Temperature Range –40°C to 125°C
- User-selectable Internal Organization
 - 2K: 256 x 8 or 128 x 16
 - 4K: 512 x 8 or 256 x 16
- Three-wire Serial Interface
- Sequential Read Operation
- 2 MHz Clock Rate
- Self-timed Write Cycle (10 ms max)
- High Reliability
 - Endurance: 1 Million Write Cycles
 - Data Retention: 100 Years
- Lead-free/Halogen-free Devices Available
- 8-lead JEDEC SOIC and 8-lead TSSOP Packages

Description

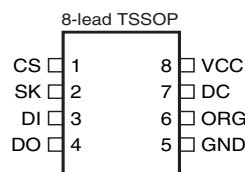
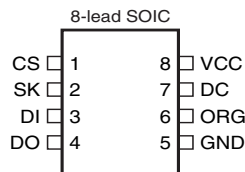
The AT93C56A/66A provides 2048/4096 bits of serial electrically-erasable programmable read-only memory (EEPROM). The EEPROM is organized as 128/256 words of 16 bits each when the ORG pin is connected to VCC and 256/512 words of 8 bits each when it is tied to ground. The device is optimized for use in many automotive applications where low-power and low-voltage operations are essential. The AT93C56A/66A is available in space-saving 8-lead JEDEC SOIC and 8-lead TSSOP packages.

The AT93C56A/66A is enabled through the Chip Select (CS) pin and accessed via a three-wire serial interface consisting of Data Input (DI), Data Output (DO), and Shift Clock (SK). Upon receiving a Read instruction at DI, the address is decoded and the data is clocked out serially on the data output pin DO. The write cycle is completely self-timed and no separate erase cycle is required before write. The write cycle is only enabled when the part is in the Erase/Write Enable state. When CS is brought high following the initiation of a write cycle, the DO pin outputs the Ready/Busy status of the part.

The AT93C56A/66A is available in 2.7V to 5.5V versions.

Table 1. Pin Configuration

| Pin Name | Function |
|----------|-----------------------|
| CS | Chip Select |
| SK | Serial Data Clock |
| DI | Serial Data Input |
| DO | Serial Data Output |
| GND | Ground |
| VCC | Power Supply |
| ORG | Internal Organization |
| DC | Don't Connect |



Three-wire Automotive Temperature Serial EEPROMs

2K (256 x 8 or 128 x 16)

4K (512 x 8 or 256 x 16)

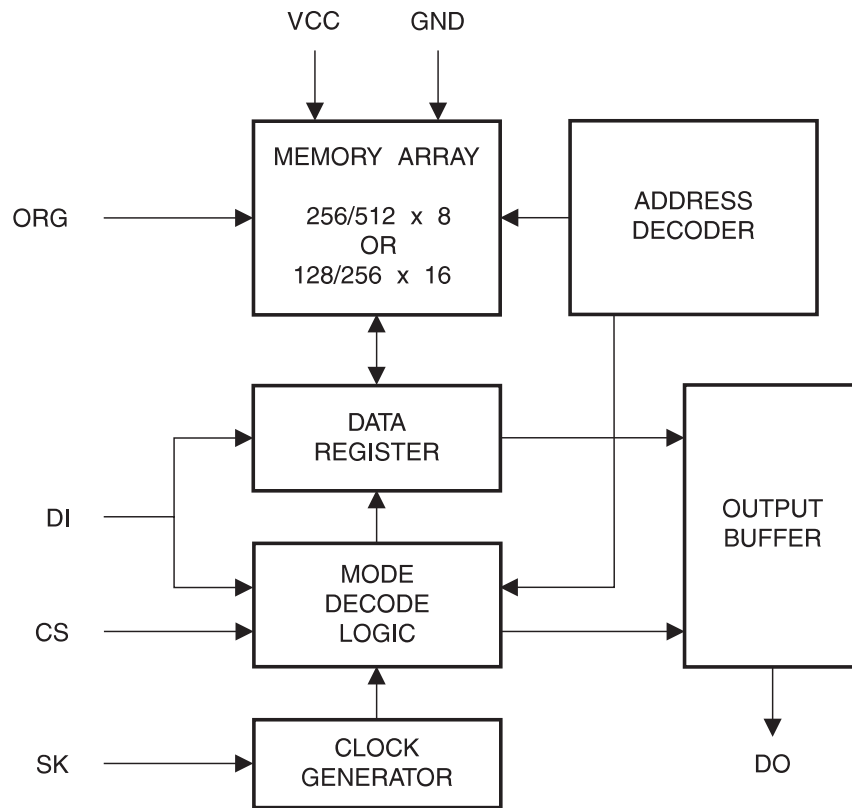
AT93C56A AT93C66A

Absolute Maximum Ratings*

| | |
|--|-----------------|
| Operating Temperature..... | -55°C to +125°C |
| Storage Temperature | -65°C to +150°C |
| Voltage on Any Pin with Respect to Ground | -1.0V to +7.0V |
| Maximum Operating Voltage | 6.25V |
| DC Output Current..... | 5.0 mA |

*NOTICE: Stresses beyond those listed under “Absolute Maximum Ratings” may cause permanent damage to the device. This is a stress rating only and functional operation of the device at these or any other conditions beyond those indicated in the operational sections of this specification is not implied. Exposure to absolute maximum rating conditions for extended periods may affect device reliability

Figure 1. Block Diagram



Note: When the ORG pin is connected to VCC, the “x 16” organization is selected. When it is connected to ground, the “x 8” organization is selected. If the ORG pin is left unconnected and the application does not load the input beyond the capability of the internal 1 Meg ohm pullup, then the “x 16” organization is selected.

Table 1. Pin Capacitance⁽¹⁾

Applicable over recommended operating range from $T_A = 25^\circ\text{C}$, $f = 1.0\text{ MHz}$, $V_{CC} = +5.0\text{V}$ (unless otherwise noted)

| Symbol | Test Conditions | Max | Units | Conditions |
|-----------|--------------------------------|-----|-------|-----------------------|
| C_{OUT} | Output Capacitance (DO) | 5 | pF | $V_{OUT} = 0\text{V}$ |
| C_{IN} | Input Capacitance (CS, SK, DI) | 5 | pF | $V_{IN} = 0\text{V}$ |

Note: 1. This parameter is characterized and is not 100% tested.

Table 2. DC Characteristics

Applicable over recommended operating range from: $T_A = -40^\circ\text{C}$ to $+125^\circ\text{C}$, $V_{CC} = +2.7\text{V}$ to $+5.5\text{V}$ (unless otherwise noted)

| Symbol | Parameter | Test Condition | | Min | Typ | Max | Unit |
|-----------------|---------------------|--|---------------------------|------|------|--------------|---------------|
| V_{CC1} | Supply Voltage | | | 2.7 | | 5.5 | V |
| V_{CC2} | Supply Voltage | | | 4.5 | | 5.5 | V |
| I_{CC} | Supply Current | $V_{CC} = 5.0\text{V}$ | READ at 1.0 MHz | | 0.5 | 2.0 | mA |
| | | | WRITE at 1.0 MHz | | 0.5 | 2.0 | mA |
| I_{SB1} | Standby Current | $V_{CC} = 2.7\text{V}$ | CS = 0V | | 3.0 | 10.0 | μA |
| I_{SB2} | Standby Current | $V_{CC} = 5.0\text{V}$ | CS = 0V | | 10.0 | 15.0 | μA |
| I_{IL} | Input Leakage | $V_{IN} = 0\text{V}$ to V_{CC} | | | 0.1 | 3.0 | μA |
| I_{OL} | Output Leakage | $V_{IN} = 0\text{V}$ to V_{CC} | | | 0.1 | 3.0 | μA |
| $V_{IL1}^{(1)}$ | Input Low Voltage | $2.7\text{V} \leq V_{CC} \leq 5.5\text{V}$ | | -0.6 | | 0.8 | V |
| $V_{IH1}^{(1)}$ | Input High Voltage | | | 2.0 | | $V_{CC} + 1$ | |
| V_{OL1} | Output Low Voltage | $2.7\text{V} \leq V_{CC} \leq 5.5\text{V}$ | $I_{OL} = 2.1\text{ mA}$ | | | 0.4 | V |
| V_{OH1} | Output High Voltage | | $I_{OH} = -0.4\text{ mA}$ | 2.4 | | | V |

Note: 1. V_{IL} min and V_{IH} max are reference only and are not tested.

Table 3. AC Characteristics

Applicable over recommended operating range from $T_A = -40^{\circ}\text{C}$ to $+125^{\circ}\text{C}$, $V_{CC} = \text{As Specified}$, $CL = 1$ TTL Gate and 100 pF (unless otherwise noted)

| Symbol | Parameter | Test Condition | Min | Typ | Max | Units |
|--------------------------|----------------------------|--|------------|-----|------------|--------------|
| f_{SK} | SK Clock Frequency | $4.5V \leq V_{CC} \leq 5.5V$ $2.7V \leq V_{CC} \leq 5.5V$ | 0 0 | | 2 1 | MHz |
| t_{SKH} | SK High Time | $4.5V \leq V_{CC} \leq 5.5V$ $2.7V \leq V_{CC} \leq 5.5V$ | 250 250 | | | ns |
| t_{SKL} | SK Low Time | $4.5V \leq V_{CC} \leq 5.5V$ $2.7V \leq V_{CC} \leq 5.5V$ | 250 250 | | | ns |
| t_{CS} | Minimum CS Low Time | $4.5V \leq V_{CC} \leq 5.5V$ $2.7V \leq V_{CC} \leq 5.5V$ | 250 250 | | | ns |
| t_{CSS} | CS Setup Time | Relative to SK $4.5V \leq V_{CC} \leq 5.5V$ $2.7V \leq V_{CC} \leq 5.5V$ | 50 50 | | | ns |
| t_{DIS} | DI Setup Time | Relative to SK $4.5V \leq V_{CC} \leq 5.5V$ $2.7V \leq V_{CC} \leq 5.5V$ | 100 100 | | | ns |
| t_{CSH} | CS Hold Time | Relative to SK | 0 | | | ns |
| t_{DIH} | DI Hold Time | Relative to SK $4.5V \leq V_{CC} \leq 5.5V$ $2.7V \leq V_{CC} \leq 5.5V$ | 100 100 | | | ns |
| t_{PD1} | Output Delay to "1" | AC Test $4.5V \leq V_{CC} \leq 5.5V$ $2.7V \leq V_{CC} \leq 5.5V$ | | | 250 500 | ns |
| t_{PD0} | Output Delay to "0" | AC Test $4.5V \leq V_{CC} \leq 5.5V$ $2.7V \leq V_{CC} \leq 5.5V$ | | | 250 500 | ns |
| t_{SV} | CS to Status Valid | AC Test $4.5V \leq V_{CC} \leq 5.5V$ $2.7V \leq V_{CC} \leq 5.5V$ | | | 250 250 | ns |
| t_{DF} | CS to DO in High Impedance | AC Test CS = V_{IL} $4.5V \leq V_{CC} \leq 5.5V$ $2.7V \leq V_{CC} \leq 5.5V$ | | | 100 150 | ns |
| t_{WP} | Write Cycle Time | $2.7V \leq V_{CC} \leq 5.5V$ | 0.1 | 3 | 10 | ms |
| Endurance ⁽¹⁾ | 5.0V, 25°C | | 1M | | | Write Cycles |

Note: 1. This parameter is characterized and is not 100% tested.

Functional Description

The AT93C56A/66A is accessed via a simple and versatile three-wire serial communication interface. Device operation is controlled by seven instructions issued by the host processor. A *valid instruction starts with a rising edge of CS* and consists of a start bit (logic “1”) followed by the appropriate op code and the desired memory address location.

Table 4. Instruction Set for the AT93C56A and AT93C66A

| Instruction | SB | Op Code | Address | | Data | | Comments |
|-------------|----|---------|---------------------------------|---------------------------------|---------------------------------|----------------------------------|---|
| | | | x 8 | x 16 | x 8 | x 16 | |
| READ | 1 | 10 | A ₈ – A ₀ | A ₇ – A ₀ | | | Reads data stored in memory, at specified address |
| EWEN | 1 | 00 | 11XXXXXXXX | 11XXXXXXXX | | | Write enable must precede all programming modes |
| ERASE | 1 | 11 | A ₈ – A ₀ | A ₇ – A ₀ | | | Erase memory location A _n – A ₀ |
| WRITE | 1 | 01 | A ₈ – A ₀ | A ₇ – A ₀ | D ₇ – D ₀ | D ₁₅ – D ₀ | Writes memory location A _n – A ₀ |
| ERAL | 1 | 00 | 10XXXXXXXX | 10XXXXXXXX | | | Erases all memory locations. Valid only at V _{CC} = 4.5V to 5.5V |
| WRAL | 1 | 00 | 01XXXXXXXX | 01XXXXXXXX | D ₇ – D ₀ | D ₁₅ – D ₀ | Writes all memory locations. Valid only at V _{CC} = 5.0V ±10% and Disable Register cleared |
| EWDS | 1 | 00 | 00XXXXXXXX | 00XXXXXXXX | | | Disables all programming instructions |

Note: The X's in the address field represent *don't care* values and must be clocked.

READ (READ): The Read (READ) instruction contains the address code for the memory location to be read. After the instruction and address are decoded, data from the selected memory location is available at the serial output pin DO. Output data changes are synchronized with the rising edges of serial clock SK. It should be noted that a dummy bit (logic “0”) precedes the 8- or 16-bit data output string. The AT93C56A/66A supports sequential read operations. The device will automatically increment the internal address pointer and clock out the next memory location as long as Chip Select (CS) is held high. In this case, the dummy bit (logic “0”) will not be clocked out between memory locations, thus allowing for a continuous stream of data to be read.

ERASE/WRITE ENABLE (EWEN): To assure data integrity, the part automatically goes into the Erase/Write Disable (EWDS) state when power is first applied. An Erase/Write Enable (EWEN) instruction must be executed first before any programming instructions can be carried out. Please note that once in the EWEN state, programming remains enabled until an EWDS instruction is executed or V_{CC} power is removed from the part.

ERASE (ERASE): The Erase (ERASE) instruction programs all bits in the specified memory location to the logical “1” state. The self-timed erase cycle starts once the Erase instruction and address are decoded. The DO pin outputs the Ready/Busy status of the part if CS is brought high after being kept low for a minimum of 250 ns (t_{CS}). A logic “1” at pin DO indicates that the selected memory location has been erased, and the part is ready for another instruction.

WRITE (WRITE): The Write (WRITE) instruction contains the 8 or 16 bits of data to be written into the specified memory location. The self-timed programming cycle, t_{WP} , starts after the last bit of data is received at serial data input pin DI. The DO pin outputs the Ready/Busy status of the part if CS is brought high after being kept low for a minimum of 250 ns (t_{CS}). A logic “0” at DO indicates that programming is still in progress. A logic “1” indicates that the memory location at the specified address has been written with the data pattern contained in the instruction and the part is ready for further instructions. *A Ready/Busy status cannot be obtained if the CS is brought high after the end of the self-timed programming cycle, t_{WP} .*

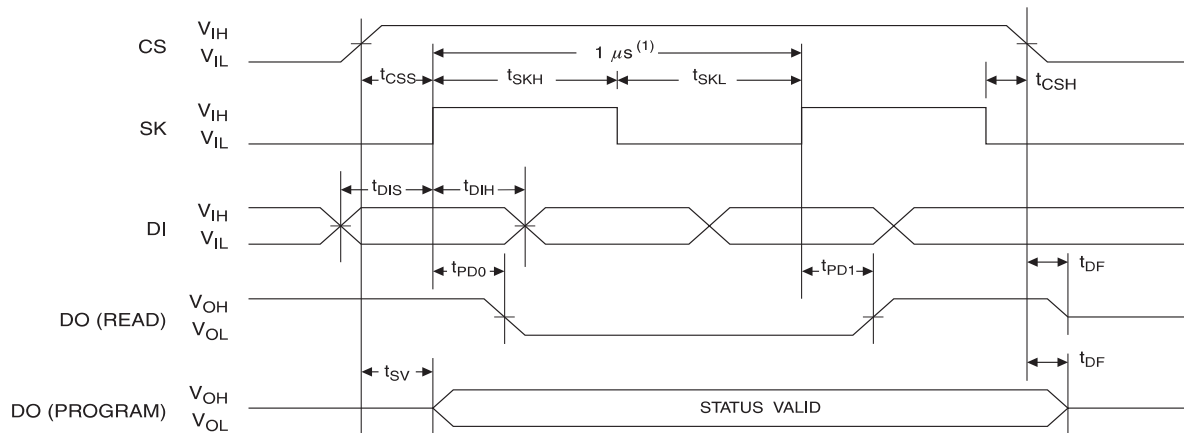
ERASE ALL (ERAL): The Erase All (ERAL) instruction programs every bit in the memory array to the logic “1” state and is primarily used for testing purposes. The DO pin outputs the ready/busy status of the part if CS is brought high after being kept low for a minimum of 250 ns (t_{CS}). The ERAL instruction is valid only at $V_{CC} = 5.0V \pm 10\%$.

WRITE ALL (WRAL): The Write All (WRAL) instruction programs all memory locations with the data patterns specified in the instruction. The DO pin outputs the Ready/Busy status of the part if CS is brought high after being kept low for a minimum of 250 ns (t_{CS}). The WRAL instruction is valid only at $V_{CC} = 5.0V \pm 10\%$.

ERASE/WRITE DISABLE (EWDS): To protect against accidental data disturb, the Erase/Write Disable (EWDS) instruction disables all programming modes and should be executed after all programming operations. The operation of the Read instruction is independent of both the EWEN and EWDS instructions and can be executed at any time.

Timing Diagrams

Figure 1. Synchronous Data Timing



Note: This is the minimum SK period.

Table 5. Organization Key for Timing Diagrams

| I/O | AT93C56A (2K) | | AT93C66A (4K) | |
|----------------|-------------------------------|-------------------------------|----------------|-----------------|
| | x 8 | x 16 | x 8 | x 16 |
| A _N | A ₈ ⁽¹⁾ | A ₇ ⁽²⁾ | A ₈ | A ₇ |
| D _N | D ₇ | D ₁₅ | D ₇ | D ₁₅ |

Notes: 1. A₈ is a *don't care* value, but the extra clock is required.
2. A₇ is a *don't care* value, but the extra clock is required.

Figure 2. READ Timing

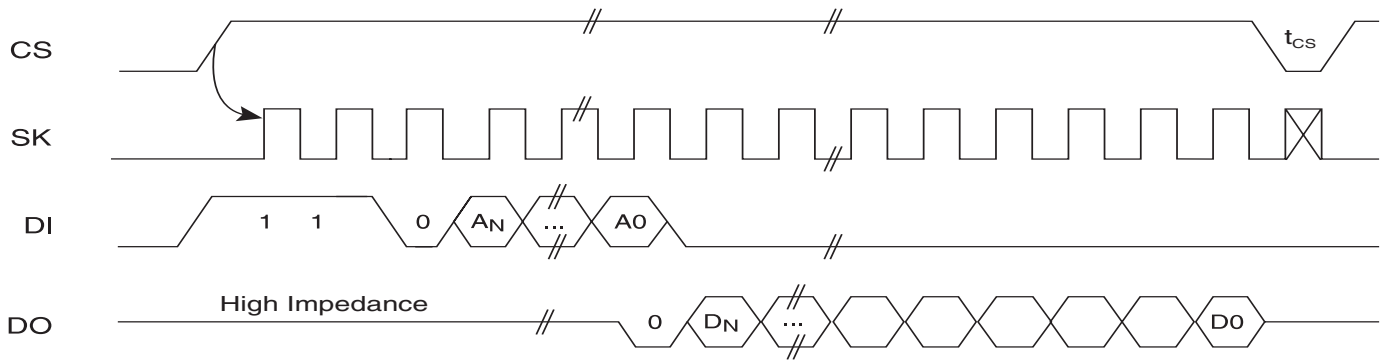


Figure 3. EWEN Timing

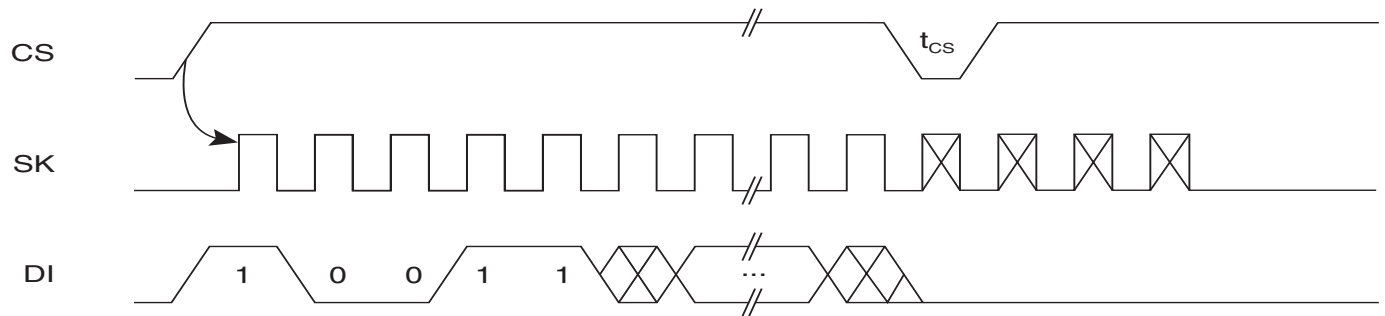


Figure 4. EWDS Timing

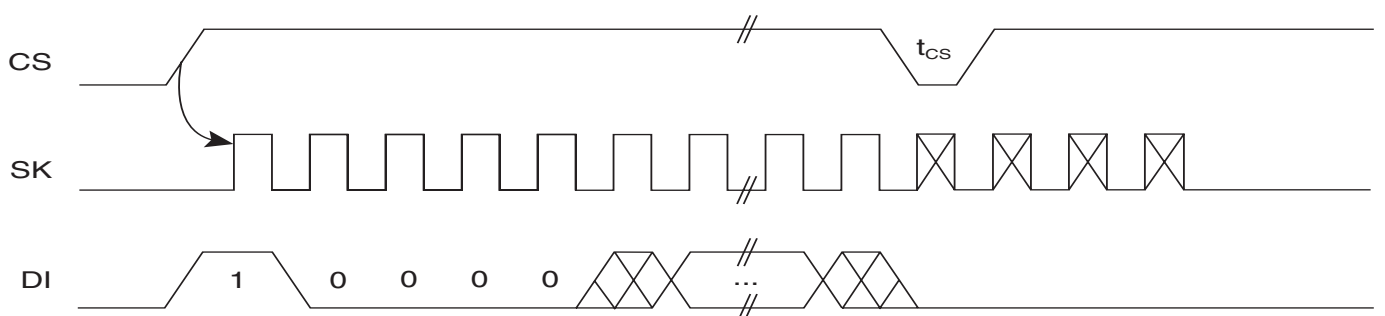


Figure 5. WRITE Timing

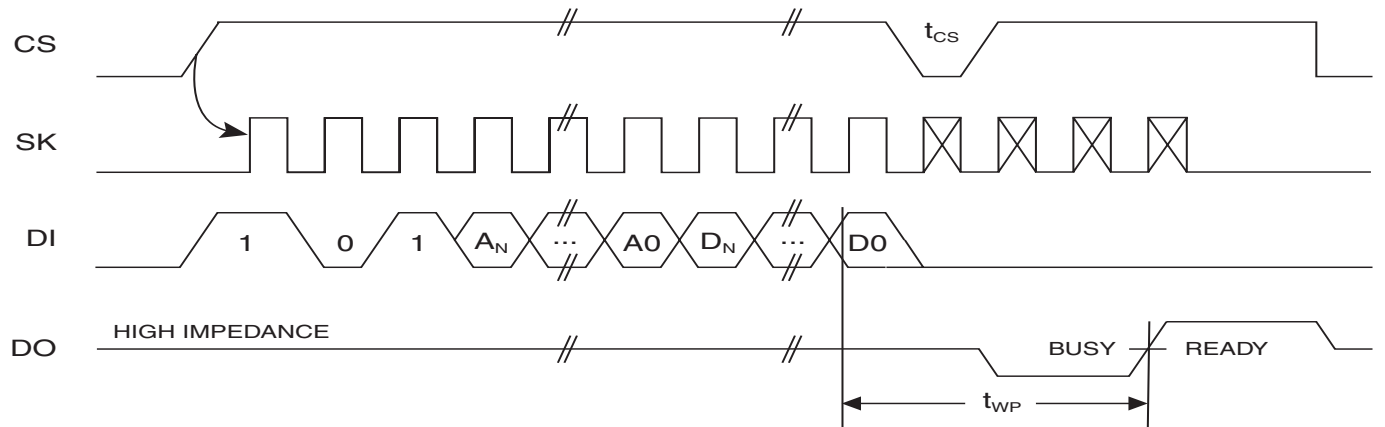
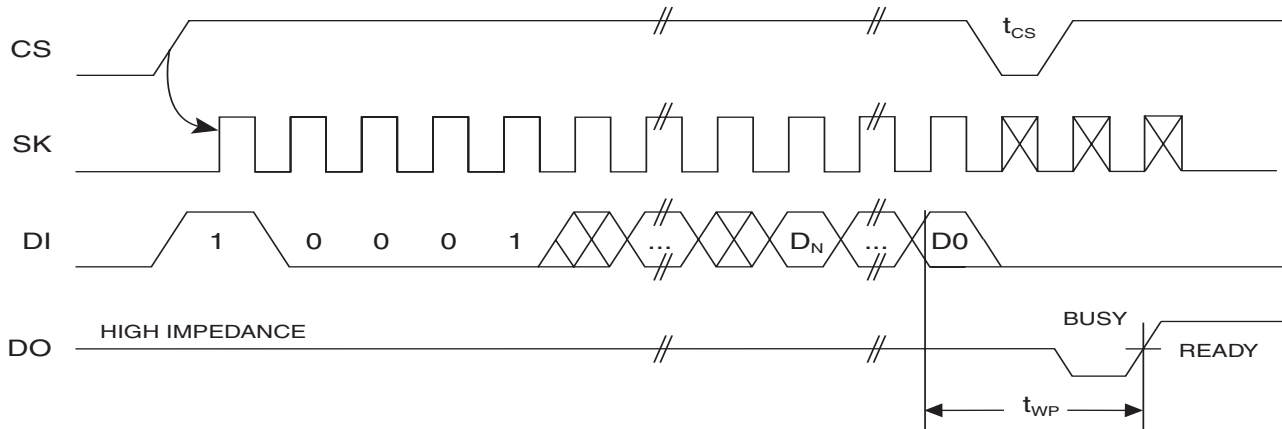


Figure 6. WRAL Timing



Note: Valid only at $V_{CC} = 4.5V$ to $5.5V$

Figure 7. ERASE Timing

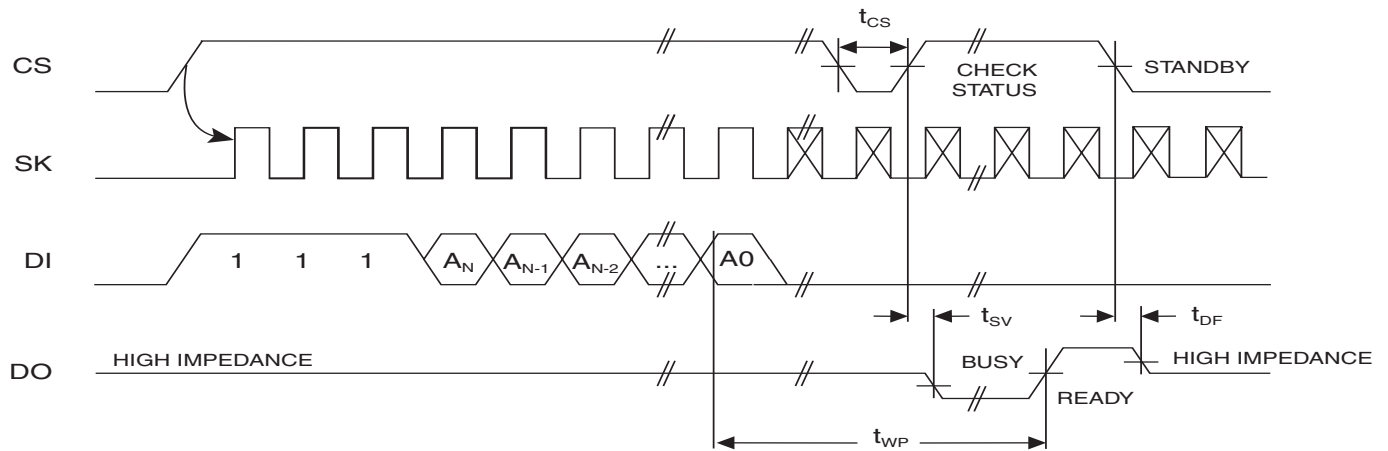
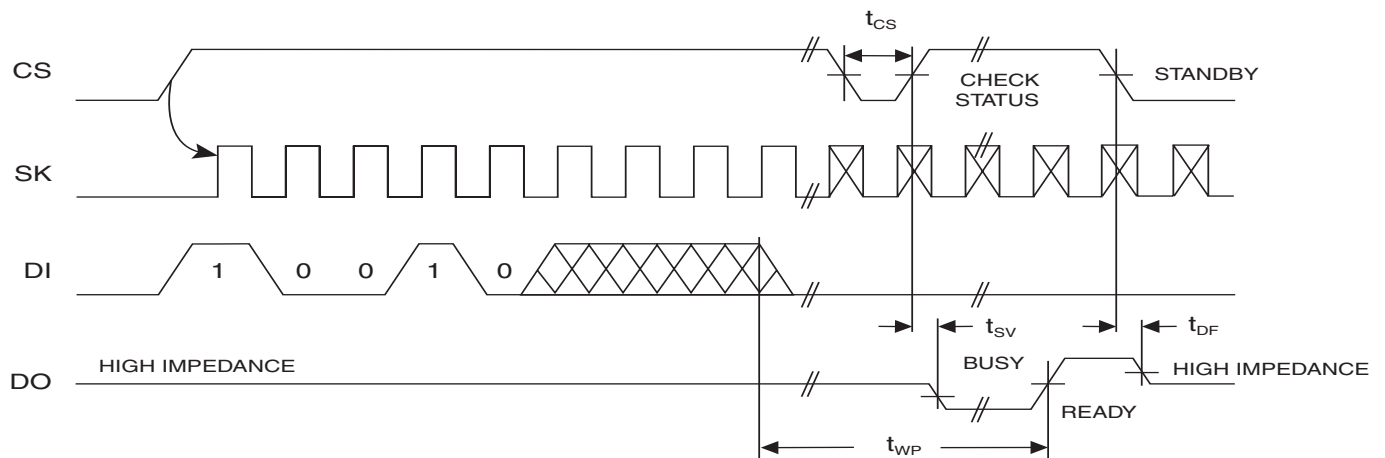


Figure 8. ERAL Timing



Note: Valid only at $V_{CC} = 4.5V$ to $5.5V$

AT93C56A Ordering Information

| Ordering Code | Package | Operation Range |
|-------------------|---------|--|
| AT93C56A-10SQ-2.7 | 8S1 | Lead-free/Halogen-free/Automotive Temperature (-40°C to 125°C) |
| AT93C56A-10TQ-2.7 | 8A2 | |

| Package Type | |
|--------------|---|
| 8S1 | 8-lead, 0.150" Wide, Plastic Gull Wing Small Outline (JEDEC SOIC) |
| 8A2 | 8-lead, 0.170" Wide, Thin Shrink Small Outline Package (TSSOP) |
| Options | |
| -2.7 | Low Voltage (2.7V to 5.5V) |

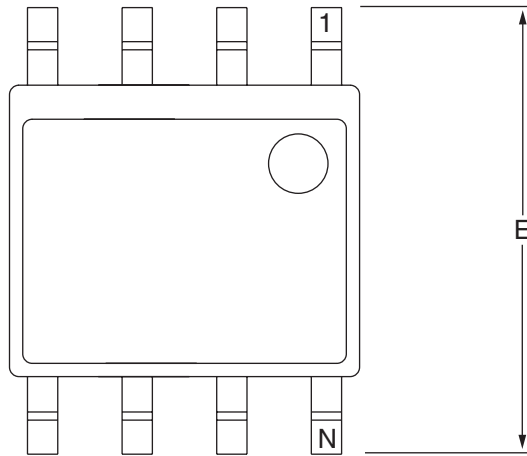


AT93C66A Ordering Information

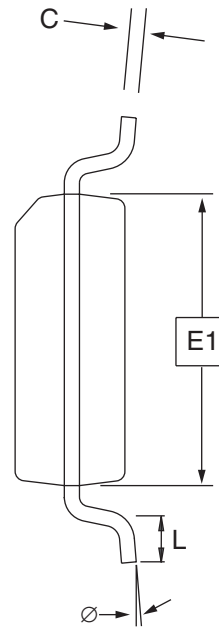
| Ordering Code | Package | Operation Range |
|-------------------|---------|--|
| AT93C66A-10SQ-2.7 | 8S1 | Lead-free/Halogen-free/Automotive Temperature (-40°C to 125°C) |
| AT93C66A-10TQ-2.7 | 8A2 | |

| Package Type | |
|--------------|---|
| 8S1 | 8-lead, 0.150" Wide, Plastic Gull Wing Small Outline (JEDEC SOIC) |
| 8A2 | 8-lead, 0.170" Wide, Thin Shrink Small Outline Package (TSSOP) |
| Options | |
| -2.7 | Low Voltage (2.7V to 5.5V) |

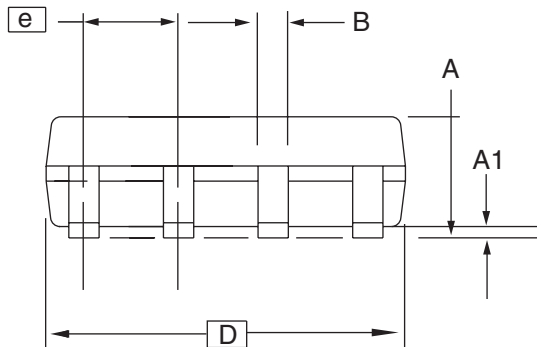
8S1 - JEDEC SOIC



Top View



End View



Side View

COMMON DIMENSIONS
(Unit of Measure = mm)

| SYMBOL | MIN | NOM | MAX | NOTE |
|--------|----------|-----|------|------|
| A | 1.35 | - | 1.75 | |
| A1 | 0.10 | - | 0.25 | |
| b | 0.31 | - | 0.51 | |
| C | 0.17 | - | 0.25 | |
| D | 4.80 | - | 5.00 | |
| E1 | 3.81 | - | 3.99 | |
| E | 5.79 | - | 6.20 | |
| e | 1.27 BSC | | | |
| L | 0.40 | - | 1.27 | |
| ∅ | 0° | - | 8° | |

Note: These drawings are for general information only. Refer to JEDEC Drawing MS-012, Variation AA for proper dimensions, tolerances, datums, etc.

10/7/03

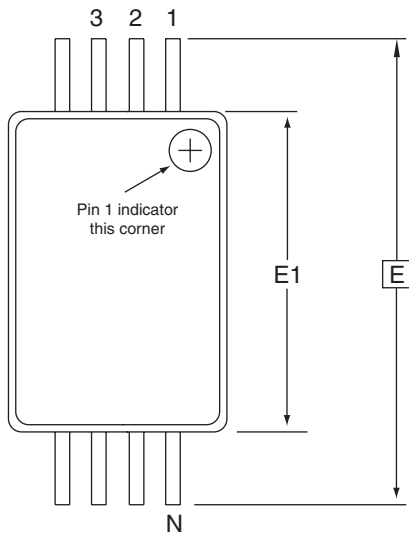
AMEL 1150 E. Cheyenne Mtn. Blvd.
Colorado Springs, CO 80906

TITLE
8S1, 8-lead (0.150" Wide Body), Plastic Gull Wing
Small Outline (JEDEC SOIC)

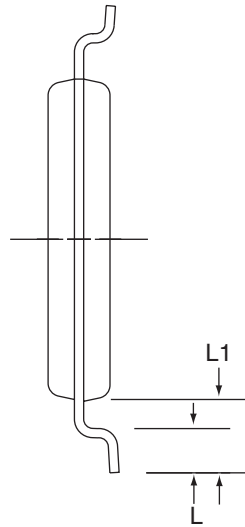
DRAWING NO.
8S1

REV.
B

8A2 – TSSOP



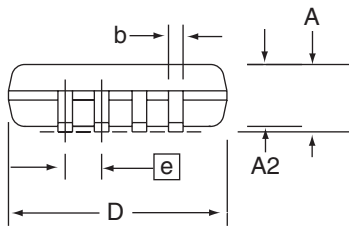
Top View



End View

COMMON DIMENSIONS
(Unit of Measure = mm)

| SYMBOL | MIN | NOM | MAX | NOTE |
|--------|----------|------|------|------|
| D | 2.90 | 3.00 | 3.10 | 2, 5 |
| E | 6.40 BSC | | | |
| E1 | 4.30 | 4.40 | 4.50 | 3, 5 |
| A | – | – | 1.20 | |
| A2 | 0.80 | 1.00 | 1.05 | |
| b | 0.19 | – | 0.30 | 4 |
| e | 0.65 BSC | | | |
| L | 0.45 | 0.60 | 0.75 | |
| L1 | 1.00 REF | | | |



Side View

- Notes:
1. This drawing is for general information only. Refer to JEDEC Drawing MO-153, Variation AA, for proper dimensions, tolerances, datums, etc.
 2. Dimension D does not include mold Flash, protrusions or gate burrs. Mold Flash, protrusions and gate burrs shall not exceed 0.15 mm (0.006 in) per side.
 3. Dimension E1 does not include inter-lead Flash or protrusions. Inter-lead Flash and protrusions shall not exceed 0.25 mm (0.010 in) per side.
 4. Dimension b does not include Dambar protrusion. Allowable Dambar protrusion shall be 0.08 mm total in excess of the b dimension at maximum material condition. Dambar cannot be located on the lower radius of the foot. Minimum space between protrusion and adjacent lead is 0.07 mm.
 5. Dimension D and E1 to be determined at Datum Plane H.

5/30/02



2325 Orchard Parkway
San Jose, CA 95131

TITLE
8A2, 8-lead, 4.4 mm Body, Plastic
Thin Shrink Small Outline Package (TSSOP)

DRAWING NO.
8A2

REV.
B

Revision History

| Doc. Rev. | Date | Comments |
|------------------|-------------|--|
| 5091E | 4/2007 | Changed ISB values on page 3 |
| 5091D | 2/2007 | Implemented revision history Removed PDIP package offering Removed Pb'd part numbers |