

# PM75CS1D060

FLAT-BASE TYPE  
INSULATED PACKAGE

## PM75CS1D060



### FEATURE

Inverter + Drive & Protection IC

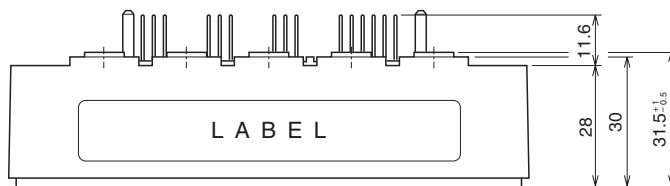
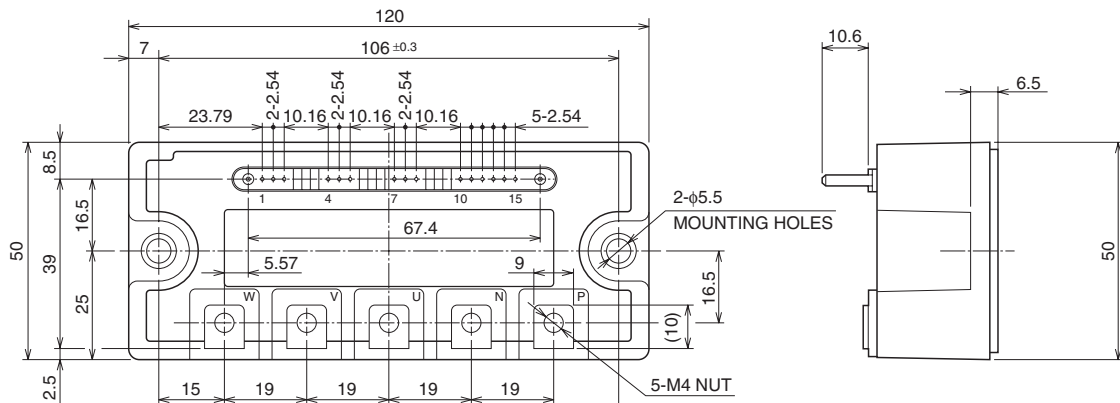
- 3 phase 75A/600V CSTBT™  
(The Current sensor and the thermal sensor with a build-in CSTBT™.)
- Monolithic gate drive & protection logic
- Detection, protection & status indication circuits for, short-circuit, over-temperature & under-voltage

## APPLICATION

General purpose inverter, servo drives and other motor controls

## PACKAGE OUTLINES

Dimensions in mm

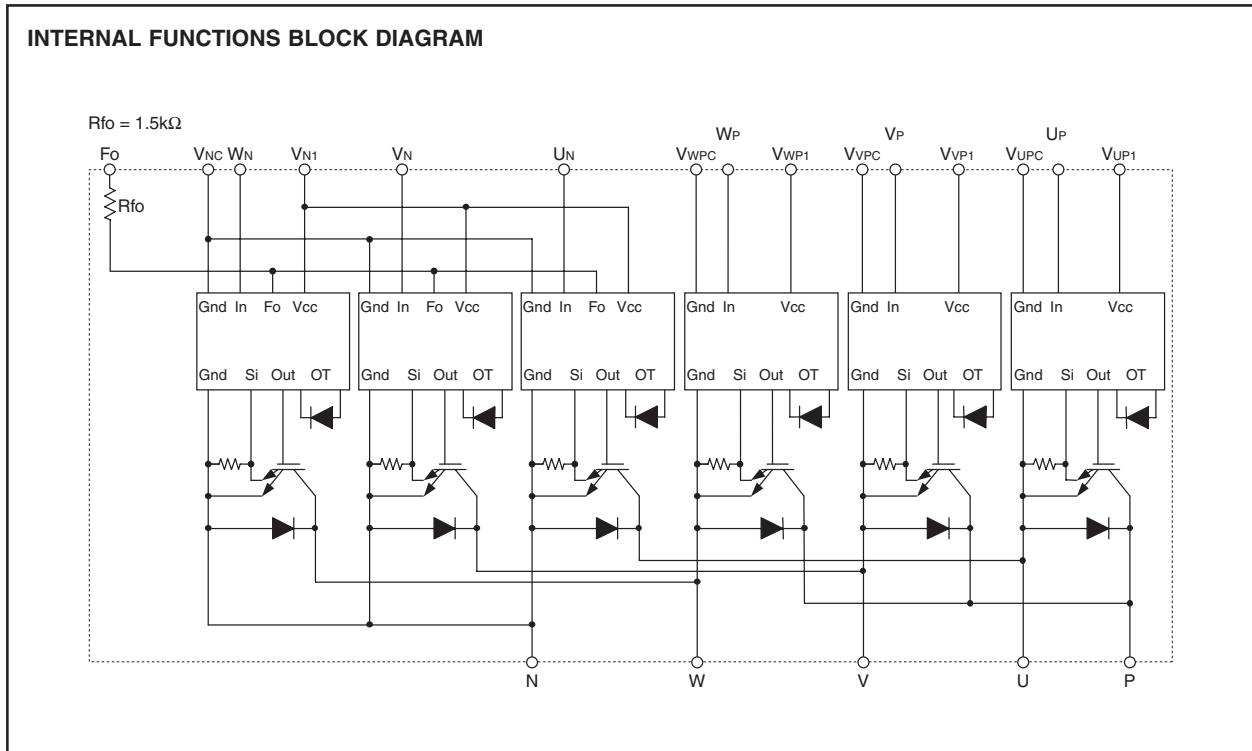


### Terminal code

- |         |         |
|---------|---------|
| 1. VWPC | 11. VN1 |
| 2. WP   | 12. WN  |
| 3. VWP1 | 13. VN  |
| 4. VVPC | 14. UN  |
| 5. VP   | 15. Fo  |
| 6. VVP1 |         |
| 7. VUPC |         |
| 8. UP   |         |
| 9. VUP1 |         |
| 10. VNC |         |

# PM75CS1D060

FLAT-BASE TYPE  
INSULATED PACKAGE



**MAXIMUM RATINGS** ( $T_j = 25^\circ\text{C}$ , unless otherwise noted)

**INVERTER PART**

| Symbol       | Parameter                 | Condition                                   | Ratings    | Unit             |
|--------------|---------------------------|---|------------|------------------|
| $V_{CES}$    | Collector-Emitter Voltage | $V_D = 15\text{V}$ , $V_{CIN} = 15\text{V}$ | 600        | V                |
| $\pm I_C$    | Collector Current         | $T_C = 25^\circ\text{C}$ (Note-1)           | 75         | A                |
| $\pm I_{CP}$ | Collector Current (Peak)  | $T_C = 25^\circ\text{C}$                    | 150        | A                |
| $P_C$        | Collector Dissipation     | $T_C = 25^\circ\text{C}$ (Note-1)           | 378        | W                |
| $T_j$        | Junction Temperature      |   | -20 ~ +150 | $^\circ\text{C}$ |

\*:  $T_c$  measurement point is just under the chip.

**CONTROL PART**

| Symbol    | Parameter                   | Condition   | Ratings | Unit |
|-----------|-----------------------------|---|---------|------|
| $V_D$     | Supply Voltage              | Applied between : $V_{UP1}-V_{UPC}$ , $V_{VP1}-V_{VPC}$<br>$V_{WP1}-V_{WPC}$ , $V_{N1}-V_{NC}$            | 20      | V    |
| $V_{CIN}$ | Input Voltage               | Applied between : $U_P-V_{UPC}$ , $V_P-V_{VPC}$ , $W_P-V_{WPC}$<br>$U_N \cdot V_N \cdot W_N \cdot V_{NC}$ | 20      | V    |
| $V_{FO}$  | Fault Output Supply Voltage | Applied between : $F_O-V_{NC}$  | 20      | V    |
| $I_{FO}$  | Fault Output Current        | Sink current at $F_O$ terminals   | 20      | mA   |

# PM75CS1D060

FLAT-BASE TYPE  
INSULATED PACKAGE

## TOTAL SYSTEM

| Symbol           | Parameter                      | Condition   | Ratings    | Unit             |
|------------------|--------------------------------|---|------------|------------------|
| VCC(PROT)        | Supply Voltage Protected by SC | V <sub>D</sub> = 13.5 ~ 16.5V<br>Inverter Part, T <sub>j</sub> = +125°C Start | 400        | V                |
| VCC(surge)       | Supply Voltage (Surge)         | Applied between : P-N, Surge value  | 500        | V                |
| T <sub>stg</sub> | Storage Temperature            |   | -40 ~ +125 | °C               |
| V <sub>iso</sub> | Isolation Voltage              | 60Hz, Sinusoidal, Charged part to Base, AC 1 min.                             | 2500       | V <sub>rms</sub> |

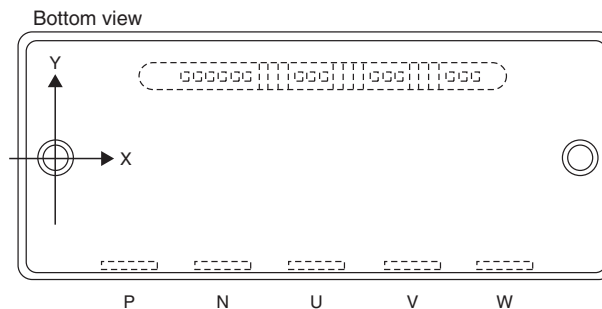
## THERMAL RESISTANCES

| Symbol                | Parameter                            | Condition  | Limits |      |       | Unit |
|-----------------------|--------------------------------------|--|--------|------|-------|------|
|                       |                                      |  | Min.   | Typ. | Max.  |      |
| R <sub>th(j-c)Q</sub> | Junction to case Thermal Resistances | Inverter IGBT part (per 1 element) (Note-1)                    | —      | —    | 0.33  | °C/W |
| R <sub>th(j-c)F</sub> |                                      | Inverter FWDi part (per 1 element) (Note-1)                    | —      | —    | 0.55  |      |
| R <sub>th(c-f)</sub>  | Contact Thermal Resistance           | Case to fin, (per 1 module)<br>Thermal grease applied (Note-1) | —      | —    | 0.046 |      |

(Note-1) T<sub>c</sub> (under the chip) measurement point is below.

(unit : mm)

| axis \ arm | UP   |      | VP   |      | WP   |      | UN   |      | VN   |      | WN   |      |
|------------|------|------|------|------|------|------|------|------|------|------|------|------|
|            | IGBT | FWDi | IGBT | FWDi | IGBT | FWDi | IGBT | FWDi | IGBT | FWDi | IGBT | FWDi |
| X          | 21.4 | 21.4 | 65.0 | 65.0 | 90.0 | 90.0 | 36.0 | 36.0 | 51.0 | 51.0 | 76.0 | 76.0 |
| Y          | 4.6  | -5.2 | 4.6  | -5.2 | 4.6  | -5.2 | -0.4 | -9.9 | -0.4 | -9.9 | -0.4 | -9.9 |



## ELECTRICAL CHARACTERISTICS (T<sub>j</sub> = 25°C, unless otherwise noted)

### INVERTER PART

| Symbol               | Parameter                            | Condition  | Limits                 |      |      | Unit |    |
|----------------------|--------------------------------------|--|------------------------|------|------|------|----|
|                      |                                      |  | Min.                   | Typ. | Max. |      |    |
| V <sub>CE(sat)</sub> | Collector-Emitter Saturation Voltage | V <sub>D</sub> = 15V, I <sub>C</sub> = 75A<br>V <sub>CIN</sub> = 0V, Pulsed (Fig. 1)   | T <sub>j</sub> = 25°C  | —    | 1.80 | 2.40 | V  |
|                      |                                      |  | T <sub>j</sub> = 125°C | —    | 1.85 | 2.50 |    |
| V <sub>EC</sub>      | FWDi Forward Voltage                 | -I <sub>C</sub> = 75A, V <sub>D</sub> = 15V, V <sub>CIN</sub> = 15V (Fig. 2)   | —                      | 1.85 | 2.80 | V    |    |
| t <sub>on</sub>      | Switching Time                       | V <sub>D</sub> = 15V, V <sub>CIN</sub> = 0V↔15V<br>V <sub>CC</sub> = 300V, I <sub>C</sub> = 75A<br>T <sub>j</sub> = 125°C<br>Inductive Load (Fig. 3,4) | —                      | 0.4  | 0.8  | 1.8  | μs |
| t <sub>rr</sub>      |                                      |  | —                      | —    | 0.3  | 0.6  |    |
| t <sub>c(on)</sub>   |                                      |  | —                      | —    | 0.4  | 1.0  |    |
| t <sub>off</sub>     |                                      |  | —                      | —    | 1.4  | 2.4  |    |
| t <sub>c(off)</sub>  |                                      |  | —                      | —    | 0.3  | 0.6  |    |
| I <sub>CES</sub>     | Collector-Emitter Cutoff Current     | V <sub>CE</sub> = V <sub>CEs</sub> , V <sub>D</sub> = 15V (Fig. 5)   | T <sub>j</sub> = 25°C  | —    | —    | 1    | mA |
|                      |                                      |  | T <sub>j</sub> = 125°C | —    | —    | 10   |    |

# PM75CS1D060

FLAT-BASE TYPE  
INSULATED PACKAGE

## CONTROL PART

| Symbol               | Parameter                               | Condition   | Limits                           |      |      | Unit |    |
|----------------------|---|---|----------------------------------|------|------|------|----|
|                      |   |   | Min.                             | Typ. | Max. |      |    |
| Id                   | Circuit Current                         | V <sub>D</sub> = 15V, V <sub>CIN</sub> = 15V  | V <sub>N1</sub> -V <sub>Nc</sub> | —    | 6    | 12   | mA |
|                      |   |   | V*P <sub>1</sub> -V*PC           | —    | 2    | 4    |    |
| V <sub>th(ON)</sub>  | Input ON Threshold Voltage              | Applied between : UP-VU <sub>PC</sub> , VP-VV <sub>PC</sub> , WP-VW <sub>PC</sub><br>UN • VN • WN-V <sub>Nc</sub> |                                  | 1.2  | 1.5  | 1.8  | V  |
| V <sub>th(OFF)</sub> | Input OFF Threshold Voltage             |   |                                  | 1.7  | 2.0  | 2.3  |    |
| SC                   | Short Circuit Trip Level                | -20 ≤ T <sub>j</sub> ≤ 125°C, V <sub>D</sub> = 15V (Fig. 3,6)   |                                  | 112  | —    | —    | A  |
| t <sub>off(SC)</sub> | Short Circuit Current Delay Time        | V <sub>D</sub> = 15V (Fig. 3,6)   |                                  | —    | 1.0  | —    | μs |
| OT                   | Over Temperature Protection             | Detect Temperature of IGBT chip   | Trip level                       | 135  | —    | —    | °C |
| OT(hys)              |   |   | Hysteresis                       | —    | 20   | —    |    |
| UV                   | Supply Circuit Under-Voltage Protection | -20 ≤ T <sub>j</sub> ≤ 125°C  | Trip level                       | 11.5 | 12.0 | 12.5 | V  |
| UV <sub>r</sub>      |   |   | Reset level                      | —    | 12.5 | —    |    |
| I <sub>FO(H)</sub>   | Fault Output Current                    | V <sub>D</sub> = 15V, V <sub>CIN</sub> = 15V (Note-2)   |                                  | —    | —    | 0.01 | mA |
| I <sub>FO(L)</sub>   |   |   |                                  | —    | 10   | 15   |    |
| t <sub>FO</sub>      | Minimum Fault Output Pulse Width        | V <sub>D</sub> = 15V (Note-2)   |                                  | 1.0  | 1.8  | —    | ms |

(Note-2) Fault output is given only when the internal SC, OT & UV protection.  
 Fault output of SC, OT & UV protection operate by lower arms.  
 Fault output of SC protection given pulse.  
 Fault output of OT, UV protection given pulse while over trip level.

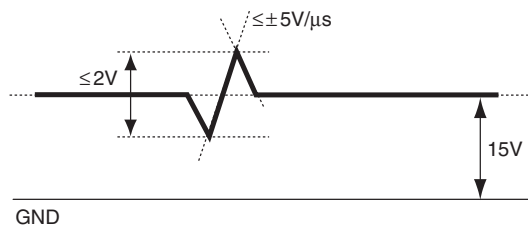
## MECHANICAL RATINGS AND CHARACTERISTICS

| Symbol | Parameter       | Condition                     | Limits |      |      | Unit  |
|--------|-----------------|-------------------------------|--------|------|------|-------|
|        |                 |                               | Min.   | Typ. | Max. |       |
| —      | Mounting torque | Mounting part screw : M5      | 2.5    | 3.0  | 3.5  | N • m |
|        |                 | Main terminal part screw : M4 | 1.5    | 1.7  | 2.0  |       |
| —      | Weight          | —                             | —      | 400  | —    | g     |

## RECOMMENDED CONDITIONS FOR USE

| Symbol                | Parameter                       | Condition   | Recommended value | Unit |
|-----------------------|---------------------------------|---|-------------------|------|
| V <sub>CC</sub>       | Supply Voltage                  | Applied across P-N terminals  | ≤ 400             | V    |
| V <sub>D</sub>        | Control Supply Voltage          | Applied between : VUP <sub>1</sub> -VU <sub>PC</sub> , VVP <sub>1</sub> -VV <sub>PC</sub><br>VWP <sub>1</sub> -VW <sub>PC</sub> , VN <sub>1</sub> -V <sub>Nc</sub> (Note-3) | 15.0 ± 1.5        | V    |
| V <sub>CIN(ON)</sub>  | Input ON Voltage                | Applied between : UP-VU <sub>PC</sub> , VP-VV <sub>PC</sub> , WP-VW <sub>PC</sub><br>UN • VN • WN-V <sub>Nc</sub>   | ≤ 0.8             | V    |
| V <sub>CIN(OFF)</sub> | Input OFF Voltage               |   | ≥ 9.0             |      |
| f <sub>PWM</sub>      | PWM Input Frequency             | Using Application Circuit of Fig. 8   | ≤ 20              | kHz  |
| t <sub>dead</sub>     | Arm Shoot-through Blocking Time | For IPM's each input signals (Fig. 7)   | ≥ 2.0             | μs   |

(Note-3) With ripple satisfying the following conditions: dv/dt swing ≤ ±5V/μs, Variation ≤ 2V peak to peak

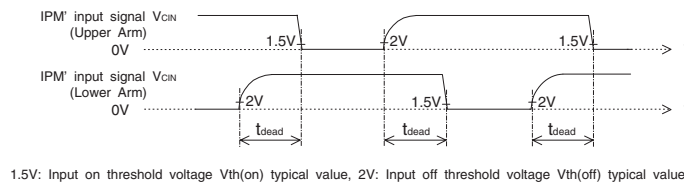
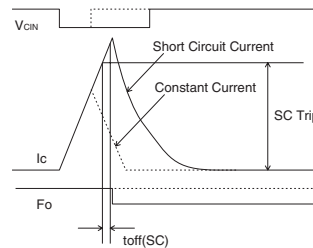
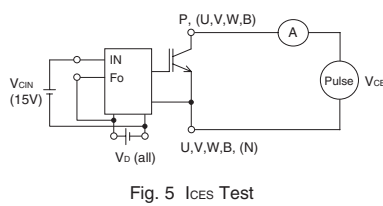
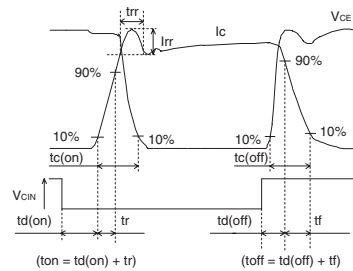
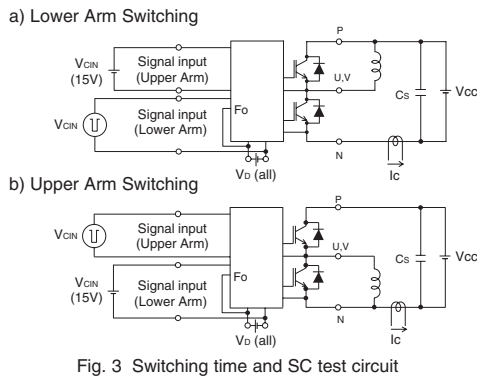
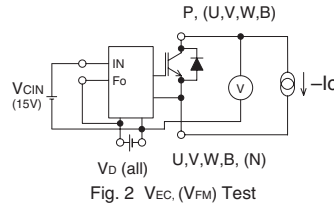
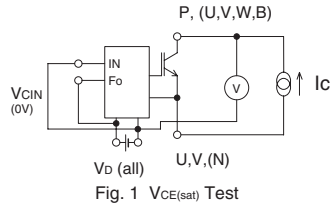


# PM75CS1D060

FLAT-BASE TYPE  
INSULATED PACKAGE

## PRECAUTIONS FOR TESTING

- Before applying any control supply voltage ( $V_D$ ), the input terminals should be pulled up by resistors, etc. to their corresponding supply voltage and each input signal should be kept off state.  
After this, the specified ON and OFF level setting for each input signal should be done.
- When performing "SC" tests, the turn-off surge voltage spike at the corresponding protection operation should not be allowed to rise above  $V_{CES}$  rating of the device.  
(These test should not be done by using a curve tracer or its equivalent.)



# PM75CS1D060

FLAT-BASE TYPE  
INSULATED PACKAGE

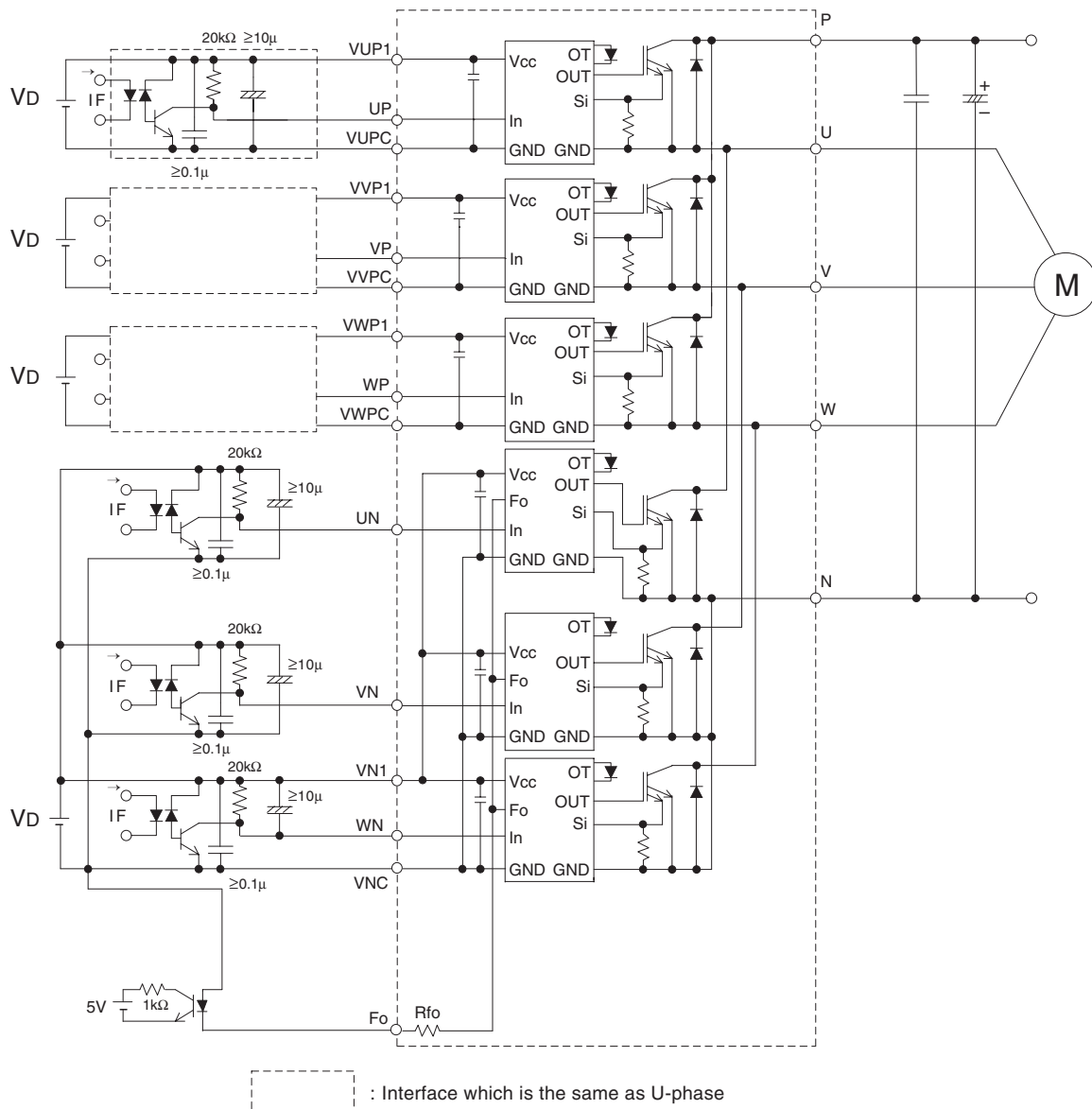


Fig. 8 Application Example Circuit

### NOTES FOR STABLE AND SAFE OPERATION ;

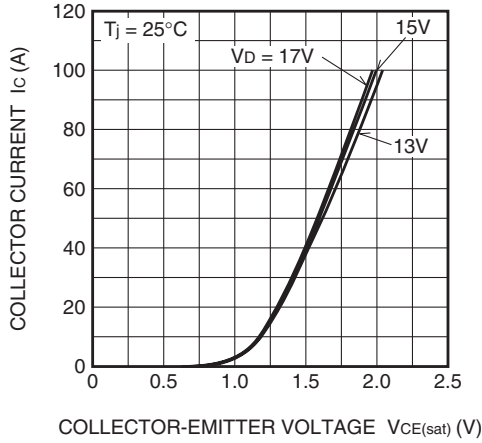
- Design the PCB pattern to minimize wiring length between opto-coupler and IPM's input terminal, and also to minimize the stray capacity between the input and output wirings of opto-coupler.
- Connect low impedance capacitor between the Vcc and GND terminal of each fast switching opto-coupler.
- Fast switching opto-couplers:  $t_{PLH}$ ,  $t_{PHL} \leq 0.8\mu s$ , Use High CMR type.
- Slow switching opto-coupler:  $CTR > 100\%$
- Use 3 isolated control power supplies (VD). Also, care should be taken to minimize the instantaneous voltage charge of the power supply.
- Make inductance of DC bus line as small as possible, and minimize surge voltage using snubber capacitor between P and N terminal.
- Use line noise filter capacitor (ex. 4.7nF) between each input AC line and ground to reject common-mode noise from AC line and improve noise immunity of the system.

# PM75CS1D060

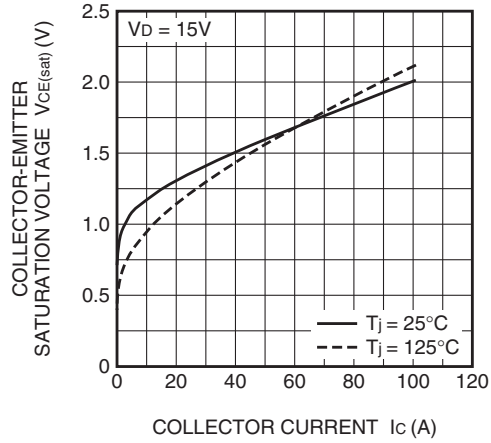
FLAT-BASE TYPE  
INSULATED PACKAGE

## PERFORMANCE CURVES

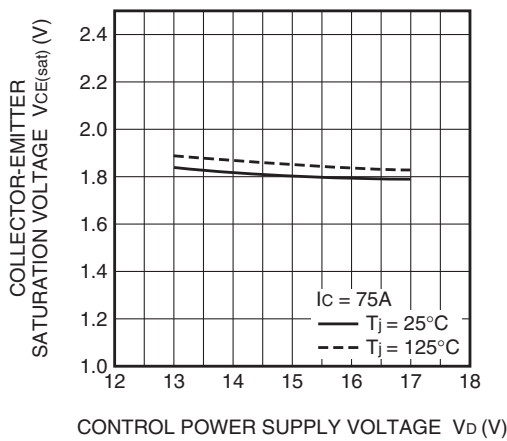
OUTPUT CHARACTERISTICS (TYPICAL)



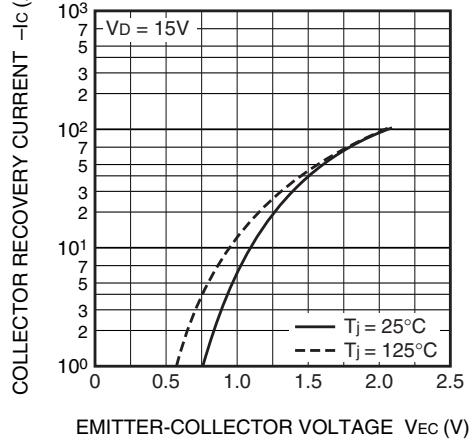
COLLECTOR-EMITTER SATURATION VOLTAGE (VS.  $I_c$ ) CHARACTERISTICS (TYPICAL)



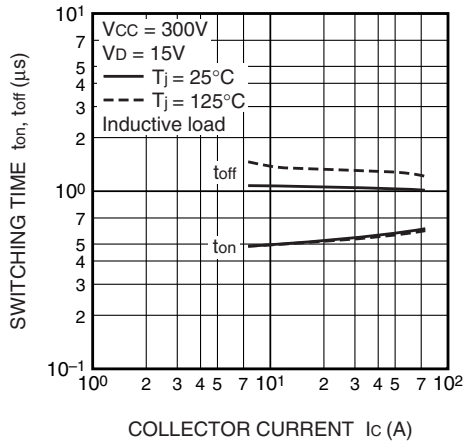
COLLECTOR-EMITTER SATURATION VOLTAGE (VS.  $V_D$ ) CHARACTERISTICS (TYPICAL)



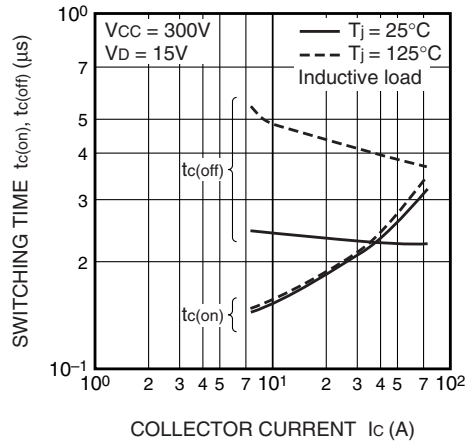
DIODE FORWARD CHARACTERISTICS (TYPICAL)



SWITCHING TIME ( $t_{on}$ ,  $t_{off}$ ) CHARACTERISTICS (TYPICAL)



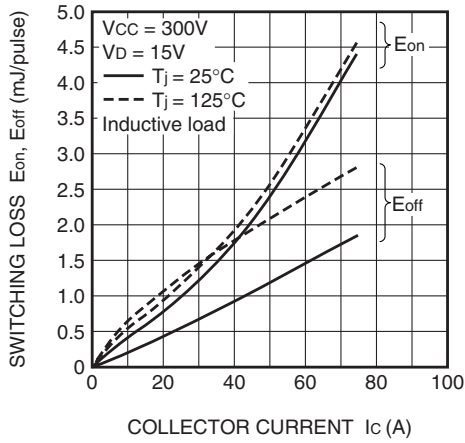
SWITCHING TIME ( $t_{c(on)}$ ,  $t_{c(off)}$ ) CHARACTERISTICS (TYPICAL)



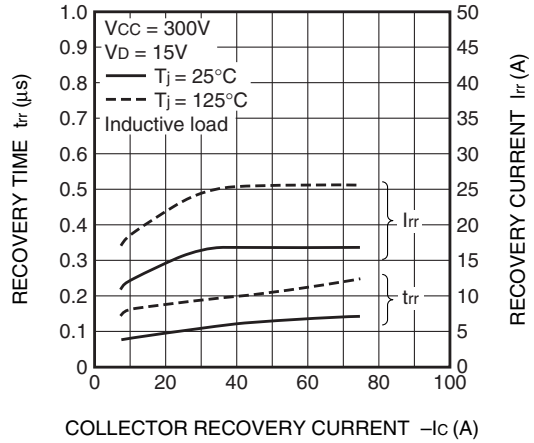
**PM75CS1D060**

FLAT-BASE TYPE  
INSULATED PACKAGE

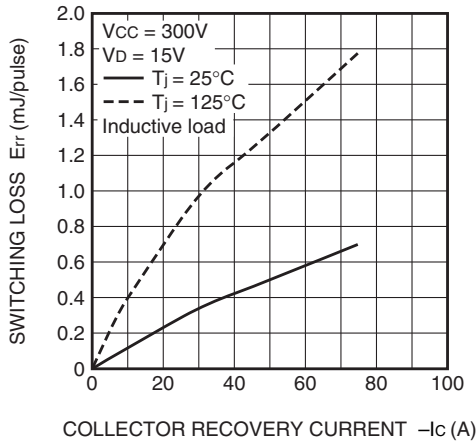
**SWITCHING LOSS CHARACTERISTICS (TYPICAL)**



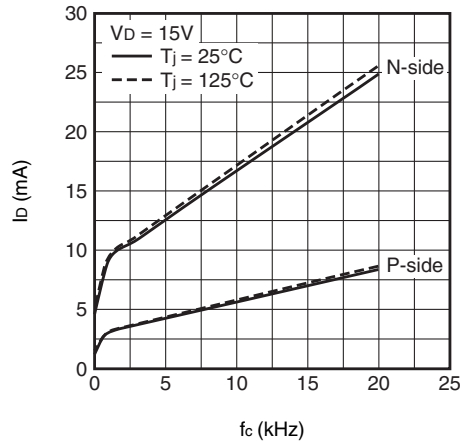
**DIODE REVERSE RECOVERY CHARACTERISTICS (TYPICAL)**



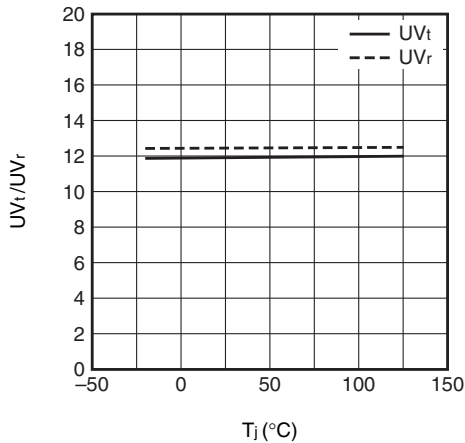
**SWITCHING RECOVERY LOSS CHARACTERISTICS (TYPICAL)**



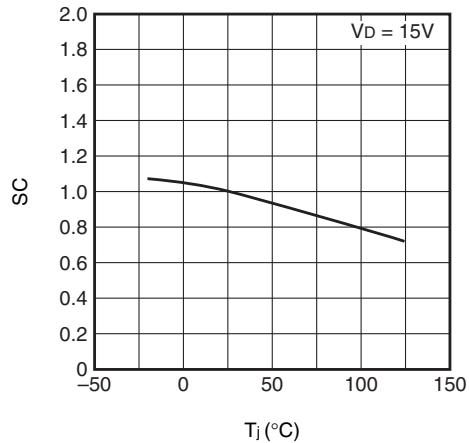
**$I_D$  VS.  $f_c$  CHARACTERISTICS (TYPICAL)**



**UV TRIP LEVEL VS.  $T_j$  CHARACTERISTICS (TYPICAL)**



**SC TRIP LEVEL VS.  $T_j$  CHARACTERISTICS (TYPICAL)**





**PM75CS1D060**

FLAT-BASE TYPE  
INSULATED PACKAGE

