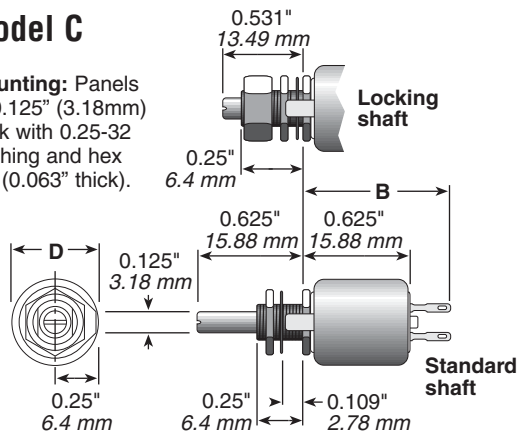


# Rheostats

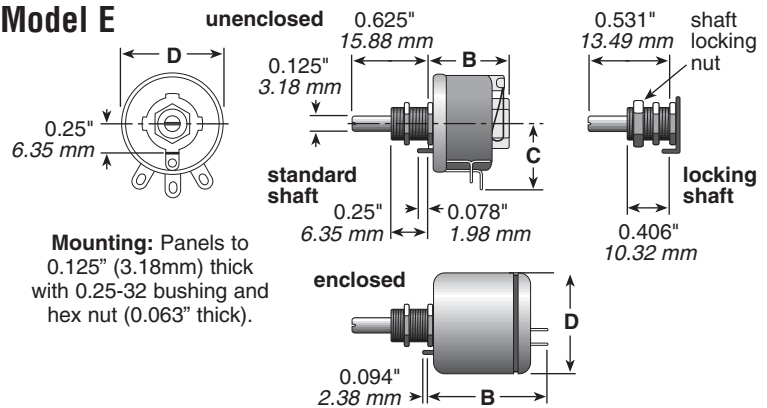
## (Potentiometers) Wirewound

### Model C

**Mounting:** Panels to 0.125" (3.18mm) thick with 0.25-32 bushing and hex nut (0.063" thick).

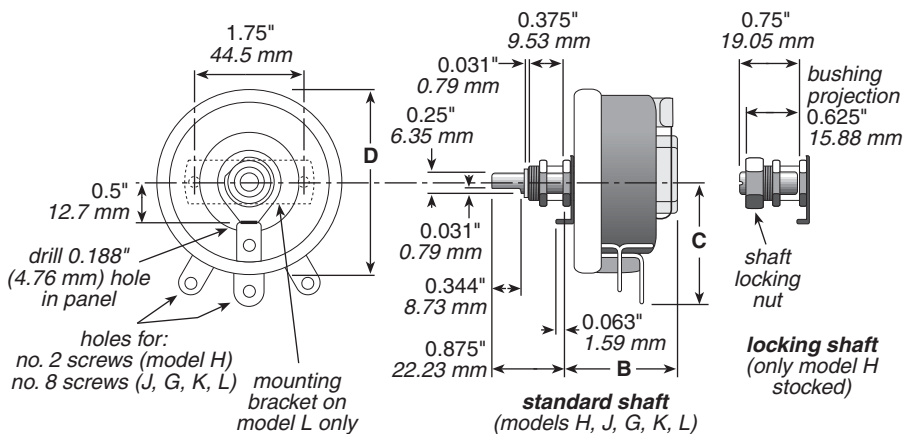


### Model E



**Mounting:** Panels to 0.125" (3.18mm) thick with 0.25-32 bushing and hex nut (0.063" thick).

### Models H, J, G, K, L



**Mounting:** Panels to 0.25" (6.35mm) thick with 0.375-32 bushing and hex nut (0.094" thick) (or with 10-32 x 0.75 F.H. screws for model L only).

Dimensions for reference only; consult factory for details.

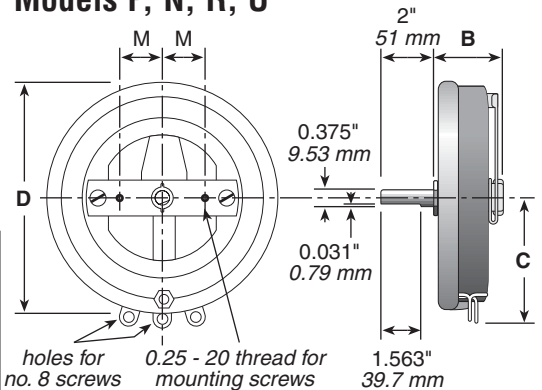
Since all rheostats/potentiometers are electro-mechanical devices, they are subject to mechanical wear and, therefore, have a finite life.

Models H, J, K, L and N are listed under UL Reexamination Service File No. E-10946 and CSA File No. 21309 unless noted otherwise.

All rheostats are 10% tolerance.

See page 93 for knobs, dials, and other hardware

### Models P, N, R, U



### ORDERING INFORMATION

Series	E = RoHS compliant				
Rheostats	<b>RCSR50E</b>				
Wirewound					
Potentiometers					
Code	Watts	Model	Shaft	Core	Resistance Value*
CL =	7.5	C	Locking	Enclosed	R50 = 0.50Ω
CS =	7.5	C	Standard	Enclosed	1R0 = 1Ω
EE =	12.5	E	Standard	Enclosed	7R5 = 7.5Ω
EL =	12.5	E	Locking	Open	250 = 250Ω
ES =	12.5	E	Standard	Open	1K0 = 1,000Ω
GS =	75	G	Standard	Open	1K75 = 1,750Ω
HL =	25	H	Locking	Open	4K5 = 4,500Ω
HS =	25	H	Standard	Open	50K = 50,000Ω
JS =	50	J	Standard	Open	
KS =	100	K	Standard	Open	
LS =	150	L	Standard	Open	
NS =	300	N	Standard	Open	
PS =	225	P	Standard	Open	
RS =	500	R	Standard	Open	
US =	1000	U	Standard	Open	

\*Check Table for Standard Resistance Values and Maximum Current Values

Model	Type	Watts	Ohmic range	Core	Max. Voltage (RMS)*	Behind panel "B" (In./mm)	Diameter "D" (In./mm)	Dimension "C" (In./mm)	Shaft torque	Rotation (±5°)
E	RES/REL	12.5	1.0-15K	open	305	0.688/17.46	0.875/ 22.23	0.594/15.08	1-6 oz. in.	300°
H	RHS/RHL	25	1.0-25K	open	500	1.375/34.93	1.560/ 39.62	0.940/23.88	0.25-0.5 lb. in.	300°
J	RJS	50	0.5-50K	open	750	1.375/34.93	2.31 / 58.67	1.56 /39.62	0.25-2 lb. in.	300°
G	RGS	75	0.5-50K	open	900	1.750/44.45	2.75 / 69.25	1.78 /45.21	0.5-2 lb. in.	300°
K	RKS	100	0.5-50K	open	1000	1.750/44.45	3.125/ 79.38	1.91 /48.51	0.5-2 lb. in.	300°
L	RLS	150	0.5-50K	open	1200	2.000 / 50.8	4.00 /101.60	2.28 /57.91	0.5-3 lb. in.	300°
P	RPS	225	1.0-30K	open	1300	2.125/53.98	5.00 /127.00	2.97 /75.44	2.5-4 lb. in.	310°
N	RNS	300	1.0-50K	open	1225	2.375/60.33	6.00 /152.40	3.44 /87.38	2.5-5 lb. in.	320°
R	RRS	500	1.0-20K	open	1450	2.125/53.98	8.00 /203.20	4.31/109.47	4.5-7 lb. in.	325°
U	RUS	1000	1.0-20K	open	1600	3.000 / 76.2	12.00 /304.80	6.38/162.05	3.5-7 lb. in.	335°
C	RCS/RCL	7.5	10.0-5K	enclosed	305	0.875/22.23	0.515/ 13.08	—	0.25-3 oz. in.	300°
E	REE	12.5	1.0-15K	enclosed	305	1.219/30.96	1.047/ 26.59	—	1-6 oz. in.	300°

- Models H, J, G, and K also available in enclosed versions.
- See Catalog #203 for complete details.
- RoHS compliant product available. Add "E" suffix to part number to specify.
- Made-to-order rheostats available: Contact nearest Ohmite sales office.
- \* Voltage rating dependent on resistance value.

**STANDARD PART NUMBERS FOR RHEOSTATS**

Ohmic value	Part No. Prefix □ Suffix □	7.5W Model C			12.5W Model E			25W Model H			50W Model J	75W Model G	100W Model K	150W Model L	225W Model P	300W Model N	500W Model R	1000W Model U
		Std. shaft RCS	Locking RCL	Amps max.	Std. shaft RES	Locking REL	Enclosed REE	Amps max.	Std. shaft RHS	Locking RHL	Amps max.	Amps max. RJS	Amps max. RGS	Amps max. RKS	Amps max. RLS	Amps max. RPS	Amps max. RNS	Amps max. RRS
0.5 —R50											✓ 10.0	✓ 12.3	✓ 14.1	✓ 17.3				
1 —1R0				✓	✓	✓	3.53	✓	✓	5.00	✓ 7.07	✓ 8.66	✓ 10	✓ 12.3	✓ 15.0	✓ 17.32	✓ 22.3	✓ 31.6
1.5 —1R5				✓	✓	✓	2.50	✓	✓	3.54	✓ 5.00	✓ 6.12	✓ 7.07	✓ 8.65	✓ 10.6	✓ 12.24	✓ 15.8	✓ 25.8
2 —2R0				✓	✓	✓	2.24	✓	✓		✓ 5.00	✓ 6.12	✓ 7.07	✓ 8.65	✓ 10.6	✓ 12.24	✓ 15.8	✓ 22.4
2.5 —2R5				✓	✓	✓		✓	✓		✓ 5.00	✓ 6.12	✓ 7.07	✓ 8.65	✓ 10.6	✓ 12.24	✓ 15.8	✓ 20.0
3 —3R0				✓	✓	✓	2.04	✓	✓	2.88		✓ 5.00	✓ 5.75	✓ 7.07	✓ 8.66	✓ 10.00	✓ 12.9	✓ 18.3
4 —4R0				✓	✓	✓		✓	✓		✓ 3.53	✓ 5.00	✓ 5.75	✓ 7.07	✓ 8.66	✓ 10.00	✓ 11.2	✓ 15.8
5 —5R0				✓	✓	✓	1.58	✓	✓			✓ 3.88	✓ 4.47	✓ 5.48	✓ 6.71	✓ 7.75	✓ 10.0	✓ 14.1
6 —6R0				✓	✓	✓	1.44	✓	✓	2.04	✓ 2.88	✓ 3.16	✓ 3.65	✓ 4.47	✓ 5.49	✓ 6.32		
7.5 —7R5				✓	✓	✓		✓	✓		✓ 2.50	✓ 3.16	✓ 3.65	✓ 4.47	✓ 5.49	✓ 6.32	✓ 7.90	✓ 11.2
8 —8R0				✓	✓	✓	1.25	✓	✓	1.77	✓ 2.50	✓ 2.74	✓ 3.16	✓ 3.88	✓ 4.74	✓ 5.48	✓ 7.90	✓ 10.0
10 —10R	✓	✓	0.86	✓	✓	✓	1.12	✓	✓	1.58	✓ 2.04	✓ 2.74	✓ 3.16	✓ 3.88	✓ 4.74	✓ 5.48	✓ 7.90	✓ 10.0
12 —12R				✓	✓	✓		✓	✓		✓ 2.04	✓ 2.74	✓ 3.16	✓ 3.88	✓ 4.74	✓ 5.48	✓ 7.90	✓ 10.0
12.5 —12R5				✓	✓	✓		✓	✓		✓ 2.04	✓ 2.74	✓ 3.16	✓ 3.88	✓ 4.74	✓ 5.48	✓ 7.90	✓ 10.0
15 —15R	✓	✓	0.71	✓	✓	✓	0.91	✓	✓	1.29		✓ 2.04	✓ 3.16	✓ 3.87	✓ 4.47	✓ 5.48	✓ 7.90	✓ 10.0
16 —16R				✓	✓	✓		✓	✓		✓ 1.76	✓ 2.17	✓ 2.50	✓ 3.16	✓ 3.87	✓ 4.47	✓ 5.60	✓ 7.90
22 —22R				✓	✓	✓		✓	✓		✓ 1.50	✓ 2.17	✓ 2.50	✓ 3.16	✓ 3.87	✓ 4.47	✓ 5.60	✓ 7.90
25 —25R	✓	✓	0.55	✓	✓	✓	0.71	✓	✓	1.00	✓ 1.76	✓ 1.73	✓ 2.0	✓ 2.450	✓ 3.00	✓ 3.46	✓ 4.47	✓ 6.33
35 —35R	✓	✓	0.46	✓	✓	✓	0.60	✓	✓	0.845	✓ 1.19	✓ 1.73	✓ 2.0	✓ 2.450	✓ 3.00	✓ 3.46	✓ 4.47	✓ 6.33
40 —40R				✓	✓	✓		✓	✓		✓ 1.19	✓ 1.73	✓ 2.0	✓ 2.450	✓ 3.00	✓ 3.46	✓ 4.47	✓ 6.33
50 —50R	✓	✓	0.39	✓	✓	✓	0.50	✓	✓	0.707	✓ 1.00	✓ 1.23	✓ 1.41	✓ 1.735	✓ 2.12	✓ 2.45	✓ 3.16	✓ 4.47
75 —75R	✓	✓	0.32	✓	✓	✓	0.40	✓	✓	0.575	✓ 1.00	✓ 1.00	✓ 1.15	✓ 1.415	✓ 1.73	✓ 2.00	✓ 3.16	✓ 4.47
80 —80R				✓	✓	✓		✓	✓		✓ 0.790	✓ 1.00	✓ 1.15	✓ 1.415	✓ 1.73	✓ 2.00	✓ 3.16	✓ 4.47
100 —100	✓	✓	0.27	✓	✓	✓	0.36	✓	✓	0.500	✓ 0.790	✓ 0.866	✓ 1.00	✓ 1.225	✓ 1.50	✓ 1.73	✓ 2.52	✓ 3.16
125 —125				✓	✓	✓	0.32	✓	✓	0.445	✓ 0.630	✓ 0.866	✓ 1.00	✓ 1.225	✓ 1.50	✓ 1.73	✓ 2.52	✓ 3.16
150 —150	✓	✓	0.22	✓	✓	✓	0.29	✓	✓		✓ 0.575	✓ 0.866	✓ 1.00	✓ 1.225	✓ 1.50	✓ 1.73	✓ 2.52	✓ 3.16
160 —160				✓	✓	✓		✓	✓		✓ 0.575	✓ 0.866	✓ 1.00	✓ 1.225	✓ 1.50	✓ 1.73	✓ 2.52	✓ 3.16
175 —175				✓	✓	✓	0.27	✓	✓	0.375		✓ 0.866	✓ 1.00	✓ 1.225	✓ 1.50	✓ 1.73	✓ 2.52	✓ 3.16
200 —200	✓	✓	0.19	✓	✓	✓	0.25	✓	✓			✓ 0.612	✓ 0.707	✓ 0.865	✓ 1.06	✓ 1.22	✓ 1.69	✓ 2.39
225 —225				✓	✓	✓		✓	✓		✓ 0.470	✓ 0.612	✓ 0.707	✓ 0.865	✓ 1.06	✓ 1.22	✓ 1.69	✓ 2.39
250 —250	✓	✓	0.17	✓	✓	✓	0.22	✓	✓	0.316		✓ 0.612	✓ 0.707	✓ 0.865	✓ 1.06	✓ 1.22	✓ 1.69	✓ 2.39
300 —300				✓	✓	✓		✓	✓		✓ 0.408	✓ 0.500	✓ 0.575	✓ 0.775	✓ 0.866	✓ 1.00	✓ 1.41	✓ 1.83
325 —325				✓	✓	✓		✓	✓		✓ 0.408	✓ 0.500	✓ 0.575	✓ 0.775	✓ 0.866	✓ 1.00	✓ 1.41	✓ 1.83
350 —350	✓	✓	0.15	✓	✓	✓	0.19	✓	✓	0.267		✓ 0.433	✓ 0.500	✓ 0.655	✓ 0.750	✓ 0.866	✓ 1.24	✓ 1.48
400 —400				✓	✓	✓		✓	✓			✓ 0.433	✓ 0.500	✓ 0.655	✓ 0.750	✓ 0.866	✓ 1.24	✓ 1.48
500 —500	✓	✓	0.12	✓	✓	✓	0.16	✓	✓	0.222	✓ 0.316	✓ 0.388	✓ 0.447	✓ 0.548	✓ 0.750	✓ 0.866	✓ 1.00	✓ 1.41
600 —600				✓	✓	✓		✓	✓		✓ 0.316	✓ 0.388	✓ 0.447	✓ 0.548	✓ 0.750	✓ 0.866	✓ 1.00	✓ 1.41
700 —700				✓	✓	✓		✓	✓		✓ 0.316	✓ 0.388	✓ 0.447	✓ 0.548	✓ 0.750	✓ 0.866	✓ 1.00	✓ 1.41
750 —750	✓	✓	0.10	✓	✓	✓	0.13	✓	✓	0.182	✓ 0.224	✓ 0.316	✓ 0.365	✓ 0.447	✓ 0.548	✓ 0.655	✓ 0.817	✓ 1.15
800 —800				✓	✓	✓		✓	✓		✓ 0.250	✓ 0.316	✓ 0.365	✓ 0.447	✓ 0.548	✓ 0.655	✓ 0.817	✓ 1.15
900 —900				✓	✓	✓		✓	✓		✓ 0.250	✓ 0.316	✓ 0.365	✓ 0.447	✓ 0.548	✓ 0.655	✓ 0.817	✓ 1.15
1000 —1K0	✓	✓	0.086	✓	✓	✓	0.10	✓	✓	0.155	✓ 0.224	✓ 0.274	✓ 0.316	✓ 0.447	✓ 0.548	✓ 0.655	✓ 0.817	✓ 1.15
1200 —1K2				✓	✓	✓		✓	✓		✓ 0.224	✓ 0.274	✓ 0.316	✓ 0.447	✓ 0.548	✓ 0.655	✓ 0.817	✓ 1.15
1250 —1K25				✓	✓	✓		✓	✓		✓ 0.224	✓ 0.274	✓ 0.316	✓ 0.447	✓ 0.548	✓ 0.655	✓ 0.817	✓ 1.15
1500 —1K5	✓	✓	0.071	✓	✓	✓	0.090	✓	✓	0.129	✓ 0.224	✓ 0.224	✓ 0.258	✓ 0.387	✓ 0.447	✓ 0.577	✓ 0.816	✓ 1.15
1600 —1K6				✓	✓	✓		✓	✓		✓ 0.176	✓ 0.224	✓ 0.258	✓ 0.387	✓ 0.447	✓ 0.577	✓ 0.816	✓ 1.15
1750 —1K75				✓	✓	✓		✓	✓		✓ 0.176	✓ 0.224	✓ 0.258	✓ 0.387	✓ 0.447	✓ 0.577	✓ 0.816	✓ 1.15
1800 —1K8				✓	✓	✓		✓	✓		✓ 0.176	✓ 0.224	✓ 0.258	✓ 0.387	✓ 0.447	✓ 0.577	✓ 0.816	✓ 1.15
2000 —2K0				✓	✓	✓		✓	✓		✓ 0.176	✓ 0.224	✓ 0.258	✓ 0.387	✓ 0.447	✓ 0.577	✓ 0.816	✓ 1.15
2250 —2K25				✓	✓	✓		✓	✓		✓ 0.176	✓ 0.224	✓ 0.258	✓ 0.387	✓ 0.447	✓ 0.577	✓ 0.816	✓ 1.15
2500 —2K5	✓	✓	0.055	✓	✓	✓	0.070	✓	✓	0.100	✓ 0.141	✓ 0.173	✓ 0.200	✓ 0.224	✓ 0.300	✓ 0.346	✓ 0.447	✓ 0.633
3000 —3K0				✓	✓	✓		✓	✓		✓ 0.141	✓ 0.173	✓ 0.200	✓ 0.224	✓ 0.300	✓ 0.346	✓ 0.447	✓ 0.633
3500 —3K5	✓	✓	0.046	✓	✓	✓	0.060	✓	✓	0.084	✓ 0.119	✓ 0.173	✓ 0.200	✓ 0.224	✓ 0.300	✓ 0.346	✓ 0.447	✓ 0.633
4500 —4K5				✓	✓	✓		✓	✓		✓ 0.119	✓ 0.173	✓ 0.200	✓ 0.224	✓ 0.300	✓ 0.346	✓ 0.447	✓ 0.633
5000 —5K0	✓	✓	0.039	✓	✓	✓	0.050	✓	✓	0.070	✓ 0.100	✓ 0.123	✓ 0.141	✓ 0.182	✓ 0.300	✓ 0.346	✓ 0.447	✓ 0.633
7500 —7K5				✓	✓	✓	0.041	✓	✓	0.058	✓ 0.079	✓ 0.100	✓ 0.115	✓ 0.141	✓ 0.300	✓ 0.346	✓ 0.447	✓ 0.633
8000 —8K0				✓	✓	✓		✓	✓		✓ 0.079	✓ 0.100	✓ 0.115	✓ 0.141	✓ 0.300	✓ 0.346	✓ 0.447	✓ 0.633
10000 —10K				✓	✓	✓	0.035	✓	✓	0.050	✓ 0.079	✓ 0.100	✓ 0.115	✓ 0.141	✓ 0.300	✓ 0.346	✓ 0.447	✓ 0.633
12500 —12K5				✓	✓	✓	0.031	✓	✓		✓ 0.079	✓ 0.100	✓ 0.115	✓ 0.141	✓ 0.300	✓ 0.346	✓ 0.447	✓ 0.633
15000 —15K				✓	✓	✓	0.029	✓	✓	0.041	✓ 0.058	✓ 0.100	✓ 0.115	✓ 0.141	✓ 0.300	✓ 0.346	✓ 0.447	✓ 0.633
20000 —20K				✓	✓	✓		✓	✓		✓ 0.050	✓ 0.100	✓ 0.115	✓ 0.141	✓ 0.300	✓ 0.346	✓ 0.447	✓ 0.633
25000 —25K				✓	✓	✓		✓	✓		✓ 0.045	✓ 0.100	✓ 0.115	✓ 0.141	✓ 0.300	✓ 0.346	✓ 0.447	✓ 0.633
30000 —30K				✓	✓	✓		✓	✓		✓ 0.041	✓ 0.100	✓ 0.115	✓ 0.141	✓ 0.300	✓ 0.346	✓ 0.447	✓ 0.633
40000 —40K				✓	✓	✓		✓	✓		✓ 0.041	✓ 0.100	✓ 0.115	✓ 0.141	✓ 0.300	✓ 0.346	✓ 0.447	✓ 0.633
50000 —50K				✓	✓	✓		✓	✓		✓ 0.035	✓ 0.100	✓ 0.115	✓ 0.141	✓ 0.300	✓ 0.346	✓ 0.447	✓ 0.633
				✓	✓	✓		✓	✓		✓ 0.032	✓ 0.100	✓ 0.115	✓ 0.141	✓ 0.300	✓ 0.346	✓ 0.447	✓ 0.633

✓ = Standard values; check availability  
 Rheostats are silicone-ceramic coated at and above the following ohmic values:  
 Model C: all                      Model G: 5000Ω  
 Model E: 750Ω                    Model K: 5000Ω  
 Model H: 2000Ω                 Model L: 7500Ω  
 Model J: 5000Ω

Check product availability at  
[www.ohmite.com](http://www.ohmite.com)