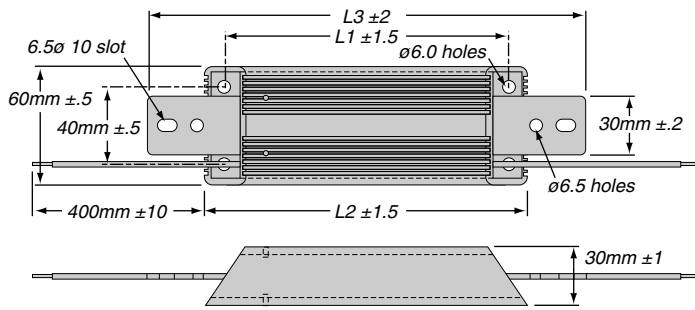


# SH Series

## Precision Metal-Clad Shunts



Series	Rated Current (A)	Rated Voltage (mV)	Resistance (mΩ)	Mass (g)	Dimensions (mm)		
					L1 ±1.5	L2 ±2	L3 ±2
SH2	100	100	1.0000	650	146	165	225
	150	100	0.6666	650	146	165	225
	200	100	0.5000	650	146	165	225
SH3	250	100	0.4000	1100	196	215	275
	300	100	0.3333	1100	196	215	275

### ORDERING INFORMATION

RoHS Compliant

**SH2 - 200R0005DE**

Series    Size    Current    Resistance see table    Tolerance  
 B = ±0.1%  
 D = ±0.5%

Precision metal clad resistors designed in four-terminal technique, are distinguished by high load capacity as well as excellent accuracy. Isolated voltage and current connections making them suitable for very precise current measurements. The simple four port Kelvin design ensures easy installation on large current bus bars. Units have a low inductance, heavy copper terminals. Applications include: battery testing, current detection in

precise power sources, constant current sources, industrial power conversion circuits, HEVs, fuel cells and constant electronic loads.

### SPECIFICATIONS

**Temp. Range:** -55°C ~ +110°C  
**Insulation Resist.:** 100MΩ min.  
**Dielectric Withstanding Voltage:** AC 500V for 1 minute  
**Temp. Coefficient:** Max. 30ppm/°C [20°C and 60°C]

### PERFORMANCE DATA

Test	Method	Maximum ΔR
Short Time Overload	5x Power rating 5 sec.	±0.3%
Moisture Resistance	40°C, 95% RH, DC100V case to terminal, 500 hours	±0.5%
Thermal Shock	-65°C 30 minutes, +90°C 30 minutes 25 cycles	±0.2%
Vibration	10Hz-55Hz-10Hz (1min.), 2 hours each direction	±0.2%
Moisture Load Life	40°C, 95% RH, 0.1X Power rating 1.5 hours on, 30 minutes off, 500 hours	±0.5%
Load Life	Power rating 1.5 hours on, 30 min. off, 500 hours	±0.5%

### STANDARD PART NUMBERS FOR SH SERIES

Part	Rated Current (A)	Rated Voltage (mV)	Resistance (mΩ)	Resistance Tolerance
SH2-100R0010DE	100	100	1.0000	0.5%
SH2-150R0006DE	150	100	0.6666	0.5%
SH2-200R0005DE	200	100	0.5000	0.5%
SH3-250R0004DE	250	100	0.4000	0.5%
SH3-300R0003DE	300	100	0.3333	0.5%