



Product Description

The S8740340PT is a Hybrid Push Pull amplifier module. The part employs GaAs die and is operated from 40MHz to 870MHz. It provides excellent linearity and superior return loss performance with low noise and optimal reliability.

Features

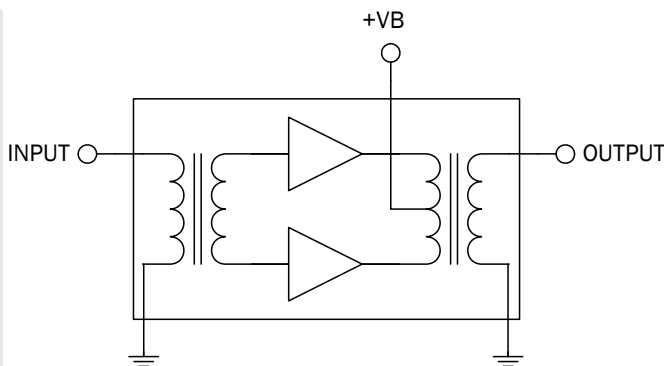
- Excellent Linearity
- Superior Return Loss Performance
- Extremely Low Distortion
- Optimal Reliability
- Low Noise
- Unconditionally Stable Under All Terminations
- 34.5dB Min. Gain at 870MHz
- 300mA Max. at 24VDC

Applications

- 40MHz to 870MHz CATV Amplifier Systems

Optimum Technology Matching® Applied

- GaAs HBT
- GaAs MESFET
- InGaP HBT
- SiGe BiCMOS
- Si BiCMOS
- SiGe HBT
- GaAs pHEMT
- Si CMOS
- Si BJT
- GaN HEMT
- RF MEMS



Parameter	Specification			Unit	Condition
	Min.	Typ.	Max.		
Overall					$V_B = 24V; T_{MB} = 30^\circ C; Z_S = Z_L = 75\Omega$
Power Gain*		34.0		dB	f=50MHz
	34.5	35.5	36.5	dB	f=870MHz
Slope [1]	0.5	1.5	2.5	dB	f=40MHz to 870MHz
Flatness of Frequency Response			1.0	dB	f=40MHz to 870MHz (Peak to Valley)
Input Return Loss	20.0			dB	f=40MHz to 160MHz
	17.0			dB	f=160MHz to 870MHz
Output Return Loss	20.0			dB	f=40MHz to 160MHz
	17.0			dB	f=160MHz to 870MHz
Noise Figure		2.5	4.0	dB	f=50MHz to 870MHz
Total Current Consumption (DC)		280.0	300.0	mA	
Distortion data 40MHz to 750MHz					
CTB		-66	-64	dBc	112 ch flat; $V_0 = 44 \text{ dBmV}^{[2]}$
XMOD		-58	-56	dBc	112 ch flat; $V_0 = 44 \text{ dBmV}^{[2]}$
CSO		-65	-63	dBc	112 ch flat; $V_0 = 44 \text{ dBmV}^{[2]}$

1. The slope is defined as the difference between the gain at the start frequency and the gain at the stop frequency.
 2. 112 channels, NTSC frequency raster: 55.25MHz to 745.25MHz, +44dBmV flat output level.
 Composite Second Order (CSO) - The CSO parameter (both sum and difference products) is defined by the NCTA.
 Composite Triple Beat (CTB) - The CTB parameter is defined by the NCTA.
 Cross Modulation (XMOD) - Cross modulation (XMOD) is measured at baseband (selective voltmeter method), referenced to 100% modulation of the carrier being tested.

Absolute Maximum Ratings

Parameter	Rating	Unit
RF Input Voltage (single tone)	75	dBmV
DC Supply Over-Voltage (5 minutes)	30	V
Storage Temperature	-40 to +100	°C
Operating Mounting Base Temperature	-30 to +100	°C

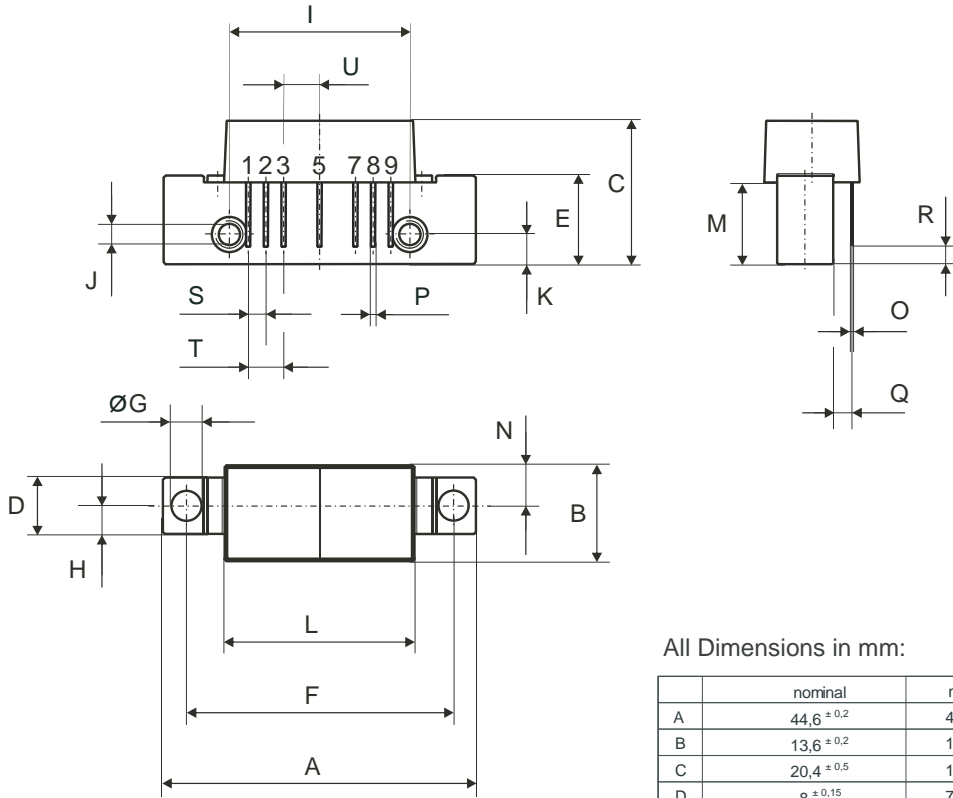


Caution! ESD sensitive device.

Exceeding any one or a combination of the Absolute Maximum Rating conditions may cause permanent damage to the device. Extended application of Absolute Maximum Rating conditions to the device may reduce device reliability. Specified typical performance or functional operation of the device under Absolute Maximum Rating conditions is not implied.

RoHS status based on EU Directive 2002/95/EC (at time of this document revision).

The information in this publication is believed to be accurate and reliable. However, no responsibility is assumed by RF Micro Devices, Inc. ("RFMD") for its use, nor for any infringement of patents, or other rights of third parties, resulting from its use. No license is granted by implication or otherwise under any patent or patent rights of RFMD. RFMD reserves the right to change component circuitry, recommended application circuitry and specifications at any time without prior notice.

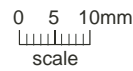


All Dimensions in mm:

	nominal	min	max
A	44,6 ± 0,2	44,4	44,8
B	13,6 ± 0,2	13,4	13,8
C	20,4 ± 0,5	19,9	20,9
D	8 ± 0,15	7,85	8,15
E	12,6 ± 0,15	12,45	12,75
F	38,1 ± 0,2	37,9	38,3
G	4 +0,2 / -0,05	3,95	4,2
H	4 ± 0,2	3,8	4,2
I	25,4 ± 0,2	25,2	25,6
J	UNC 6-32	-	-
K	4,2 ± 0,2	4,0	4,4
L	27,2 ± 0,2	27,0	27,4
M	11,6 ± 0,5	11,1	12,1
N	5,8 ± 0,4	5,4	6,2
O	0,25 ± 0,02	0,23	0,27
P	0,45 ± 0,03	0,42	0,48
Q	2,54 ± 0,3	2,24	2,84
R	2,54 ± 0,5	2,04	3,04
S	2,54 ± 0,25	2,29	2,79
T	5,08 ± 0,25	4,83	5,33
U	5,08 ± 0,25	4,83	5,33

Pinning:

1	2	3	4	5	6	7	8	9
INPUT	GND	GND	+VB					OUTPUT



Notes:



S8740340PT



rfmd.com