

128Mb E-die NOR FLASH

44FBGA, 7.7x6.2, 0.5mm ball pitch
8M x16, Muxed Burst, Multi Bank

datasheet

SAMSUNG ELECTRONICS RESERVES THE RIGHT TO CHANGE PRODUCTS, INFORMATION AND SPECIFICATIONS WITHOUT NOTICE.

Products and specifications discussed herein are for reference purposes only. All information discussed herein is provided on an "AS IS" basis, without warranties of any kind.

This document and all information discussed herein remain the sole and exclusive property of Samsung Electronics. No license of any patent, copyright, mask work, trademark or any other intellectual property right is granted by one party to the other party under this document, by implication, estoppel or otherwise.

Samsung products are not intended for use in life support, critical care, medical, safety equipment, or similar applications where product failure could result in loss of life or personal or physical harm, or any military or defense application, or any governmental procurement to which special terms or provisions may apply.

For updates or additional information about Samsung products, contact your nearest Samsung office.

All brand names, trademarks and registered trademarks belong to their respective owners.

© 2009 Samsung Electronics Co., Ltd. All rights reserved.

Revision History

<u>Revision No.</u>	<u>History</u>	<u>Draft Date</u>	<u>Remark</u>	<u>Editor</u>
0.0	- Initial Draft	13. May, 2010	Target	-
0.5	- Preliminary datasheet.	28. Oct, 2010	Preliminary	-
1.0	- Specification is finalized.	23. Nov, 2010	Final	-

[128Mb E-die NOR FLASH 1](#)

1.0 FEATURES	4
2.0 GENERAL DESCRIPTION	4
3.0 PIN DESCRIPTION	5
4.0 44Ball FBGA TOP VIEW (BALL DOWN)	6
5.0 FUNCTIONAL BLOCK DIAGRAM	7
6.0 ORDERING INFORMATION	8
7.0 PRODUCT INTRODUCTION	10
8.0 COMMAND DEFINITIONS	11
8.1 COMMAND DEFINITIONS	11
9.0 DEVICE OPERATION	13
9.1 Read Mode	13
9.2 Asynchronous Read Mode	13
9.3 Synchronous (Burst) Read Mode	13
9.4 Output Driver Setting	14
9.5 Programmable Wait State	14
9.6 Set Burst Mode Configuration Register	14
9.6.1 Extended Configuration Register (option : K8S2615ET(B)E only)	15
9.7 Programmable Wait State Configuration	15
9.8 Burst Read Mode Setting	15
9.9 RDY Configuration	15
9.10 Autoselect Mode	16
9.11 Standby Mode	16
9.12 Automatic Sleep Mode	16
9.13 Output Disable Mode	16
9.14 Block Protection & Unprotection	16
9.15 Hardware Reset	17
9.16 Software Reset	17
9.17 Program	17
9.18 Accelerated Program Operation	17
9.19 Unlock Bypass	18
9.20 Chip Erase	18
9.21 Block Erase	18
9.22 Erase Suspend / Resume	18
9.23 Program Suspend / Resume	19
9.24 Read While Write Operation	19
9.25 OTP Block Region	19
9.26 Write Pulse "Glitch" Protection	19
9.27 Low VCC Write Inhibit	19
9.28 Logical Inhibit	19
9.29 Power-up Protection	19
9.30 FLASH MEMORY STATUS FLAGS	20
10.0 COMMON FLASH MEMORY INTERFACE	22
11.0 ABSOLUTE MAXIMUM RATINGS	24
12.0 RECOMMENDED OPERATING CONDITIONS (Voltage reference to GND)	24
13.0 DC CHARACTERISTICS	24
14.0 CAPACITANCE	26
15.0 AC TEST CONDITION	26
15.1 Asynchronous Read	29
15.2 Hardware Reset(RESET)	32
15.3 Erase/Program Operation	33
16.0 ERASE/PROGRAM PERFORMANCE	33
17.0 CROSSING OF FIRST WORD BOUNDARY IN BURST READ MODE	40

128M Bit (8M x16) Muxed Burst , Multi Bank NOR Flash Memory**1.0 FEATURES**

- Single Voltage, 1.7V to 1.95V for Read and Write operations
- Organization
 - 8,386,108 x 16 bit (Word Mode Only)
- Multiplexed Data and Address for reduction of interconnections
 - A/DQ0 ~ A/DQ15
- Read While Program/Erase Operation
- Multiple Bank Architecture
 - 16 Banks (8Mb Partition)
- OTP Block : Extra 256-word block
- Read Access Time (@ CL=30pF)
 - Asynchronous Random Access Time : 70ns
 - Synchronous Random Access Time : 70ns
 - Burst Access Time :
 - 14.5ns (54MHz) / 11ns (66MHz) / 9ns (83MHz) / 7ns (108MHz)
- Burst Length :
 - Continuous Linear Burst
 - Linear Burst : 8-word & 16-word with Wrap
- Block Architecture
 - Eight 4Kword blocks and two hundreds fifty-five 32Kword blocks
 - Bank 0 contains eight 4 Kword blocks and fifteen 32Kword blocks
 - Bank 1 ~ Bank 15 contain two hundred forty 32Kword blocks
- Reduce program time using the VPP
- Support Single & Quad word accelerate program
- Power Consumption (Typical value, CL=30pF)
 - Burst Access Current : 24mA
 - Program/Erase Current : 15mA
 - Read While Program/Erase Current : 40mA
 - Standby Mode/Auto Sleep Mode : 15uA
- Block Protection/Unprotection
 - Using the software command sequence
 - Last two boot blocks are protected by $WP=V_{IL}$
 - All blocks are protected by $V_{PP}=V_{IL}$
- Handshaking Feature
 - Provides host system with minimum latency by monitoring RDY
- Erase Suspend/Resume
- Program Suspend/Resume
- Unlock Bypass Program/Erase
- Hardware Reset (RESET)
- Data Polling and Toggle Bits
 - Provides a software method of detecting the status of program or erase completion
- Endurance
 - 100K Program / Erase cycles
- Extended Temperature : -25°C ~ 85°C
- Support Common Flash Memory Interface
- Low Vcc Write Inhibit
- Package : Package : 44-ball FBGA Type, 7.7 x 6.2mm
 - 0.5 mm ball pitch
 - 1.0 mm (Max.) Thickness

2.0 GENERAL DESCRIPTION

The K8S2815E featuring single 1.8V power supply is a 128Mbit Synchronous Burst Multi Bank Flash Memory organized as 8Mx16. The memory architecture of the device is designed to divide its memory arrays into 263 blocks with independent hardware protection. This block architecture provides highly flexible erase and program capability. The K8S2815E NOR Flash consists of sixteen banks. This device is capable of reading data from one bank while programming or erasing in the other bank.

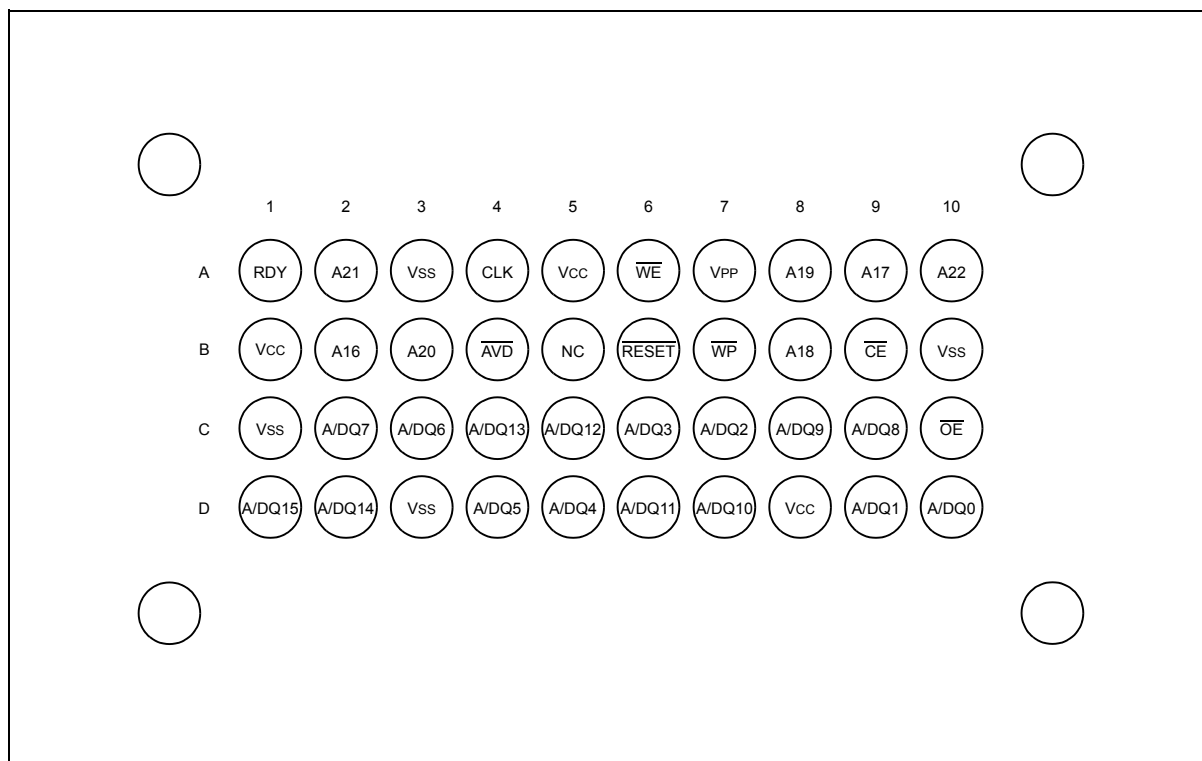
Regarding read access time, the K8S2815E provides an 14.5ns burst access time and an 70ns initial access time at 54MHz. At 66MHz, the K8S2815E provides an 11ns burst access time and 70ns initial access time. At 83MHz, the K8S2815E provides an 9ns burst access time and 70ns initial access time. At 108MHz, the K8S2815E provides an 7ns burst access time and 70ns initial access time. The device performs a program operation in units of 16 bits (Word) and an erase operation in units of a block. Single or multiple blocks can be erased. The block erase operation is completed within typically 0.7sec. The device requires 15mA as program/erase current in the extended temperature ranges.

The K8S2815E NOR Flash Memory is created by using Samsung's advanced CMOS process technology.

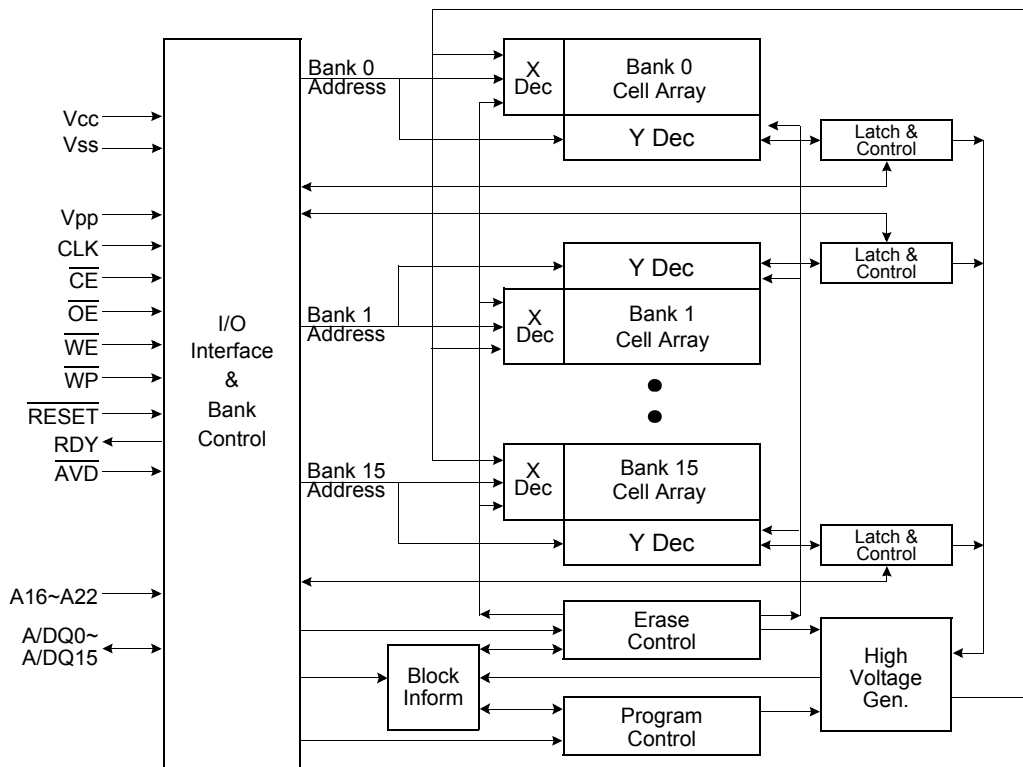
3.0 PIN DESCRIPTION

Pin Name	Pin Function
A16 - A22	Address Inputs
A/DQ0 - A/DQ15	Multiplexed Address/Data input/output
$\overline{\text{CE}}$	Chip Enable
$\overline{\text{OE}}$	Output Enable
$\overline{\text{RESET}}$	Hardware Reset Pin
V_{PP}	Accelerates Programming
$\overline{\text{WE}}$	Write Enable
$\overline{\text{WP}}$	Hardware Write Protection Input
CLK	Clock
RDY	Ready Output
$\overline{\text{AVD}}$	Address Valid Input
V_{CC}	Power Supply
V_{SS}	Ground

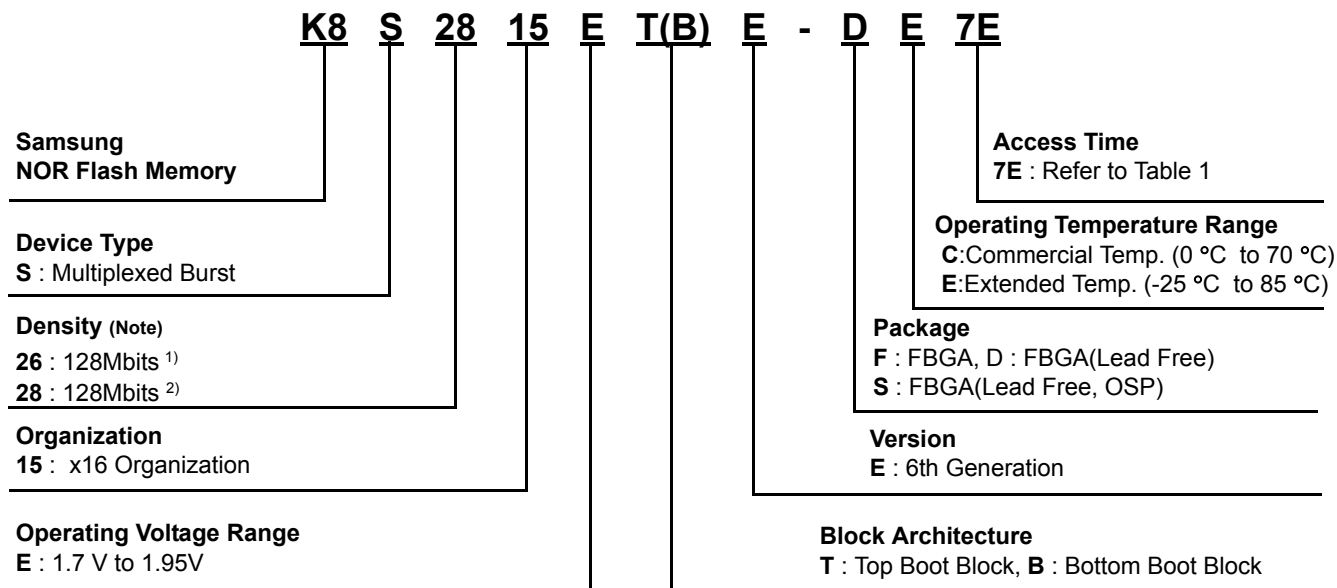
4.0 44Ball FBGA TOP VIEW (BALL DOWN)



5.0 FUNCTIONAL BLOCK DIAGRAM



6.0 ORDERING INFORMATION



NOTE :
 Density : (1) 26 : 128Mb with the Sync MRS option (Extended Configuration Register)
 (2) 28 : 128Mb with no option

[Table 1] PRODUCT LINE-UP

K8S2815E						
	Mode	Speed Option	7B (54MHz)	7C (66MHz)	7D (83MHz)	7E (108MHz)
V _{CC} =1.7V-1.95V	Synchronous/Burst	Max. Initial Access Time (t _{IA} , ns)	70	70	70	70
		Max. Burst Access Time (t _{BA} , ns)	14.5	11	9	7
	Asynchronous	Max. Access Time (t _{AA} , ns)	70	70	70	70
		Max. \overline{CE} Access Time (t _{CE} , ns)	70	70	70	70
		Max. \overline{OE} Access Time (t _{OE} , ns)	20	20	20	20

[Table 2] K8S2815E DEVICE BANK DIVISIONS

Bank 0		Bank 1 ~ Bank 15	
Mbit	Block Sizes	Mbit	Block Sizes
8 Mbit	Eight 4Kwords, Fifteen 32Kwords	120 Mbit	Two hundred forty 32Kwords

[Table 3] K8S2815ETE DEVICE BANK DIVISIONS

Bank	Quantity of Blocks	Block Size
0	8	4 Kwords
	15	32 Kwords
1	16	32 Kwords
2	16	32 Kwords
3	16	32 Kwords
4	16	32 Kwords
5	16	32 Kwords
6	16	32 Kwords
7	16	32 Kwords
8	16	32 Kwords
9	16	32 Kwords
10	16	32 Kwords
11	16	32 Kwords
12	16	32 Kwords
13	16	32 Kwords
14	16	32 Kwords
15	16	32 Kwords

[Table 4] K8S2815EBE DEVICE BANK DIVISIONS

Bank	Quantity of Blocks	Block Size
15	16	32 Kwords
14	16	32 Kwords
13	16	32 Kwords
12	16	32 Kwords
11	16	32 Kwords
10	16	32 Kwords
9	16	32 Kwords
8	16	32 Kwords
7	16	32 Kwords
6	16	32 Kwords
5	16	32 Kwords
4	16	32 Kwords
3	16	32 Kwords
2	16	32 Kwords
1	16	32 Kwords
0	15	32 Kwords
	8	4 Kwords

7.0 PRODUCT INTRODUCTION

The K8S2815E is an 128Mbit (134,217,728 bits) NOR-type Burst Flash memory. The device features 1.8V single voltage power supply operating within the range of 1.7V to 1.95V. The device is programmed by using the Channel Hot Electron (CHE) injection mechanism which is used to program EPROMs. The device is erased electrically by using Fowler-Nordheim tunneling mechanism. To provide highly flexible erase and program capability, the device adapts a block memory architecture that divides its memory array into 263 blocks (32-Kword x 255, 4-Kword x 8,). Programming is done in units of 16 bits (Word). All bits of data in one or multiple blocks can be erased when the device executes the erase operation. To prevent the device from accidental erasing or over-writing the programmed data, 263 memory blocks can be hardware protected. Regarding read access time, at 54MHz, the K8S2815E provides a burst access of 14.5ns with initial access times of 70ns at 30pF. At 66MHz, the K8S2815E provides a burst access of 11ns with initial access times of 70ns at 30pF. At 83MHz, the K8S2815E provides a burst access of 9ns with initial access times of 70ns at 30pF. At 108MHz, the K8S2815E provides a burst access of 9ns with initial access times of 70ns at 30pF. The command set of K8S2815E is compatible with standard Flash devices. The device uses Chip Enable (\overline{CE}), Write Enable (\overline{WE}), Address Valid (\overline{AVD}) and Output Enable (\overline{OE}) to control asynchronous read and write operation. For burst operations, the device additionally requires Ready (RDY) and Clock (CLK). Device operations are executed by selective command codes. The command codes to be combined with addresses and data are sequentially written to the command registers using microprocessor write timing. The command codes serve as inputs to an internal state machine which controls the program/erase circuitry. Register contents also internally latch addresses and data necessary to execute the program and erase operations. The K8S2815E is implemented with Internal Program/Erase Routines to execute the program/erase operations. The Internal Program/Erase Routines are invoked by program/erase command sequences. The Internal Program Routine automatically programs and verifies data at specified address. The Internal Erase Routine automatically pre-programs the memory cell which is not programmed and then executes the erase operation. The K8S2815E has means to indicate the status of completion of program/erase operations. The status can be indicated via Data polling of DQ7, or the Toggle bit (DQ6). Once the operations have been completed, the device automatically resets itself to the read mode. The device requires 24mA burst read current and 15mA for program/erase operations.

[Table 5] Device Bus Operations

Operation	\overline{CE}	\overline{OE}	\overline{WE}	A16-22	A/DQ0-15	\overline{RESET}	CLK	\overline{AVD}
Asynchronous Read Operation	L	L	H	Add In	Add In/Dout	H	L	
Write	L	H	L	Add In	Add In / Din	H	L	
Standby	H	X	X	X	High-Z	H	X	X
Hardware Reset	X	X	X	X	High-Z	L	X	X
Load Initial Burst Address	L	H	H	Add In	Add In	H		
Burst Read Operation	L	L	H	X	Burst DOUT	H		H
Terminate Burst Read Cycle via \overline{CE}	H	X	X	X	High-Z	H	X	X
Terminate Burst Read Cycle via \overline{RESET}	X	X	X	X	High-Z	L	X	X
Terminate Current Burst Read Cycle and Start New Burst Read Cycle	L	H	H	Add In	Add In	H		

NOTE :

1) L= V_{IL} (Low), H= V_{IH} (High), X=Don't Care.

8.0 COMMAND DEFINITIONS

8.1 COMMAND DEFINITIONS

The K8S2815E operates by selecting and executing its operational modes. Each operational mode has its own command set. In order to select a certain mode, a proper command with specific address and data sequences must be written into the command register. Writing incorrect information which include address and data or writing an improper command will reset the device to the read mode. The defined valid register command sequences are stated in Table 6.

[Table 6] Command Sequences

Command Definitions		Cycle	1st Cycle	2nd Cycle	3rd Cycle	4th Cycle	5th Cycle	6th Cycle
Asynchronous Read	Add	1	RA					
	Data		RD					
Reset ¹⁾	Add	1	XXXH					
	Data		F0H					
Autoselect Manufacturer ID ²⁾	Add	4	555H	2AAH	(DA)555H	(DA)X00H		
	Data		AAH	55H	90H	ECH		
Autoselect Device ID ²⁾	Add	4	555H	2AAH	(DA)555H	(DA)X01H		
	Data		AAH	55H	90H	Table 11		
Autoselect Block Protection Verify ³⁾	Add	4	555H	2AAH	(BA)555H	(BA)X02H		
	Data		AAH	55H	90H	00H/01H		
Autoselect Handshaking ¹²⁾	Add	4	555H	2AAH	(DA)555H	(DA)X03H		
	Data		AAH	55H	90H	0H/1H		
Program	Add	4	555H	2AAH	555H	PA		
	Data		AAH	55H	A0H	PD		
Unlock Bypass	Add	3	555H	2AAH	555H			
	Data		AAH	55H	20H			
Unlock Bypass Program ⁴⁾	Add	2	XXX	PA				
	Data		A0H	PD				
Unlock Bypass Block Erase ⁴⁾	Add	2	XXX	BA				
	Data		80H	30H				
Unlock Bypass Chip Erase ⁴⁾	Add	2	XXXH	XXXH				
	Data		80H	10H				
Unlock Bypass Reset	Add	2	XXXH	XXXH				
	Data		90H	00H				
Quadruple word Accelerated Program ⁵⁾	Add	5	XXX	PA1	PA2	PA3	PA4	
	Data		A5H	PD1	PD2	PD3	PD4	
Chip Erase	Add	6	555H	2AAH	555H	555H	2AAH	555H
	Data		AAH	55H	80H	AAH	55H	10H
Block Erase	Add	6	555H	2AAH	555H	555H	2AAH	BA
	Data		AAH	55H	80H	AAH	55H	30H
Erase Suspend ⁶⁾	Add	1	(DA)XXXH					
	Data		B0H					
Erase Resume ⁷⁾	Add	1	(DA)XXXH					
	Data		30H					
Program Suspend ⁸⁾	Add	1	(DA)XXXH					
	Data		B0H					
Program Resume ⁷⁾	Add	1	(DA)XXXH					
	Data		30H					

Command Definitions		Cycle	1st Cycle	2nd Cycle	3rd Cycle	4th Cycle	5th Cycle	6th Cycle
Block Protection/Unprotection ⁹⁾	Add	3	XXX	XXX	ABP			
	Data		60H	60H	60H			
CFI Query ¹⁰⁾	Add	1	(DA)X55H					
	Data		98H					
Set Burst Mode Configuration Register ¹¹⁾	Add	3	555H	2AAH	(CR)555H			
	Data		AAH	55H	C0H			
Set Extended Configuration Register ¹³⁾	Add	3	555H	2AAH	(CR)555H			
	Data		AAH	55H	C5H			
Enter OTP Block Region	Addr	3	555H	2AAH	555H			
	Data		AAH	55H	70H			
Exit OTP Block Region	Addr	4	555H	2AAH	555H	XXX		
	Data		AAH	55H	75H	00H		

NOTE :

- RA : Read Address , PA : Program Address, RD : Read Data, PD : Program Data , BA : Block Address (A22 ~ A12)
 - DA : Bank Address (A22 ~ A19) , ABP : Address of the block to be protected or unprotected , DI :Die revision ID, CR : Configuration Register Setting
 - The 4th cycle data of autoselect mode and RD are output data. The others are input data.
 - Data bits DQ15–DQ8 are don't care in command sequences, except for RD, PD and Device ID.
 - Unless otherwise noted, address bits A22 ~ A11 are don't cares.
- 1) The reset command is required to return to read mode.
If a bank entered the autoselect mode during the erase suspend mode, writing the reset command returns that bank to the erase suspend mode.
If a bank entered the autoselect mode during the program suspend mode, writing the reset command returns that bank to the program suspend mode.
If DQ5 goes high during the program or erase operation, writing the reset command returns that bank to read mode or erase suspend mode if that bank was in erase suspend mode.
 - 2) The 3rd and 4th cycle bank address of autoselect mode must be same.
 - 3) Normal Block Protection Verify : 00H for an unprotected block and 01H for a protected block.
OTP Block Protect verify (with OTP Block Address after Entering OTP Block) : 00H for unlocked, and 01H for locked.
For OTP Block Protection Verify, 3rd command cycle is (DA)555H/90H. DA(Bank address) should be invoked instead of BA(Block address).
 - 4) The unlock bypass command sequence is required prior to this command sequence.
 - 5) Quadruple word accelerated program is invoked only at Vpp=VID ,Vpp setup is required prior to this command sequence.
PA1, PA2, PA3, PA4 have the same A22~A2 address.
 - 6) The system may read and program in non-erasing blocks when in the erase suspend mode.
The system may enter the autoselect mode when in the erase suspend mode.
The erase suspend command is valid only during a block erase operation, and requires the bank address.
 - 7) The erase/program resume command is valid only during the erase/program suspend mode, and requires the bank address.
 - 8) This mode is used only to enable Data Read by suspending the Program operation.
 - 9) Set block address(BA) as either A6 = VIH, A1 = VIH and A0 = VIL for unprotected or A6 = VIL, A1 = VIH and A0 = VIL for protected.
 - 10) Command is valid when the device is in Read mode or Autoselect mode.
 - 11) See "Set Burst Mode Configuration Register" for details.
On the third cycle, the data should be "C0h" and address bits A20-A12 set the code to be latched.
 - 12) 0H for handshaking, 1H for non-handshaking
 - 13) CR is XXXA12 + 555h In Extended Configuration Register

9.0 DEVICE OPERATION

The device has I/Os that accept both address and data information. To write a command or command sequence (which includes programming data to the device and erasing blocks of memory), the system must drive CLK, \overline{AVD} and \overline{CE} to V_{IL} and \overline{OE} to V_{IH} when providing an address to the device, and drive CLK, \overline{WE} and \overline{CE} to V_{IL} and \overline{OE} to V_{IH} when writing commands or data.

The device provide the unlock bypass mode to save its program time for program operation. Unlike the standard program command sequence which is comprised of four bus cycles, only two program cycles are required to program a word in the unlock bypass mode. One block, multiple blocks, or the entire device can be erased. Table 3 indicates the address space that each block occupies. The device's address space is divided into sixteen banks: Bank 0 contains the boot/parameter blocks, and the other banks(from Bank 1 to 15) consist of uniform blocks. A "bank address" is the address bits required to uniquely select a bank. Similarly, a "block address" is the address bits required to uniquely select a block. Icc2 in the DC Characteristics table represents the active current specification for the write mode. The AC Characteristics section contains timing specification tables and timing diagrams for write operations.

9.1 Read Mode

The device automatically enters to asynchronous read mode after device power-up. No commands are required to retrieve data in asynchronous mode. After completing an Internal Program/Erase Routine, each bank is ready to read array data. The reset command is required to return a bank to the read(or erase-suspend-read)mode if DQ5 goes high during an active program/erase operation, or if the bank is in the autoselect mode.

The synchronous(burst) mode will *automatically* start on the last rising edge of the CLK input while \overline{AVD} is held low. That means device enters burst read mode from asynchronous read mode to burst read mode using CLK and \overline{AVD} signal. When the burst read is finished(or terminated), the device return to asynchronous read mode automatically.

(1) K8S26(29)15ET(B)E : Sync MRS option (Extended Configuration Register)

The synchronous(burst) mode will automatically start on the rising edge of the CLK input while \overline{AVD} is held low *after Extended Mode Register Setting to A12=1*. If several CLKs exist in \overline{AVD} low, the last rising edge is valid CLK.

(2) K8S27(28)15ET(B)E : No sync MRS option

The synchronous(burst) mode will automatically start on the rising edge of the CLK input while \overline{AVD} is held low. If several CLKs exist in \overline{AVD} low, the last rising edge is valid CLK.

9.2 Asynchronous Read Mode

For the asynchronous read mode a valid address should be asserted on A/DQ0-A/DQ15 and A16-A22, while driving \overline{AVD} and \overline{CE} to V_{IL} . \overline{WE} should remain at V_{IH} . Note that CLK must remain low for asynchronous read mode. The address is latched at the rising edge of \overline{AVD} , and then the system can drive \overline{OE} to V_{IL} . The data will appear on A/DQ0-A/DQ15. Since the memory array is divided into sixteen banks, each bank remains enabled for read access until the command register contents are altered.

Address access time (t_{AA}) is equal to the delay from valid addresses to valid output data. The chip enable access time(t_{CE}) is the delay from the falling edge of \overline{CE} to valid data at the outputs. The output enable access time(t_{OE}) is the delay from the falling edge of \overline{OE} to valid data at the output. The asynchronous access time is measured from a valid address, falling edge of \overline{AVD} or falling edge of \overline{CE} whichever occurs last. To prevent the memory content from spurious altering during power transition, the initial state machine is set for reading array data upon device power-up, or after a hardware reset.

9.3 Synchronous (Burst) Read Mode

The device is capable of continuous linear burst operation and linear burst operation of a preset length. For the burst mode, the system should determine how many clock cycles are desired for the initial word(t_{IAA}) of each burst access and what mode of burst operation is desired using "Burst Mode Configuration Register" command sequences. See "Set Burst Mode Configuration" for further details. The status data also can be read during burst read mode by using \overline{AVD} signal with a bank address. To initiate the synchronous read again, a new address and \overline{AVD} pulse is needed after the host has completed status reads or the device has completed the program or erase operation.

Continuous Linear Burst Read

(1) K8S26(29)15ET(B)E : Sync MRS option (Extended Configuration Register)

The synchronous(burst) mode will automatically start on the rising edge of the CLK input while \overline{AVD} is held low *after Extended Mode Register Setting to A12=1*. If several CLKs exist in \overline{AVD} low, the last rising edge is valid CLK.

(2) K8S27(28)15ET(B)E : No sync MRS option

The synchronous(burst) mode will automatically start on the rising edge of the CLK input while \overline{AVD} is held low. If several CLKs exist in \overline{AVD} low, the last rising edge is valid CLK.

The initial word is output t_{IAA} after the rising edge of the last CLK cycle. Subsequent words are output t_{BA} after the rising edge of each successive clock cycle, which automatically increments the internal address counter. Note that the device has internal address boundary that occurs every 16 words. When the device is crossing the first word boundary, additional clock cycles are needed before data appears for the next address. The number of additional clock cycle can vary from zero to seven cycles, and the exact number of additional clock cycle depends on the starting address of burst read. The RDY output indicates this condition to the system by pulsing low. The device will continue to output sequential burst data, wrapping around to address 000000h after it reaches the highest addressable memory location until the system asserts \overline{CE} high, \overline{RESET} low or \overline{AVD} low in conjunction with a new address.(See Table 5.) The reset command does not terminate the burst read operation. When it accessed the bank is

programming or erasing, continuous burst read mode will output status data. And status data will be sustained until the system asserts \overline{CE} high or \overline{RESET} low or \overline{AVD} low in conjunction with a new address. Note that at least 10ns is needed to start next burst read operation from terminating previous burst read operation in the case of asserting \overline{CE} high.

8-, 16-Word Linear Burst Read

As well as the Continuous Linear Burst Mode, there are two(8 & 16 word) linear wrap, in which a fixed number of words are read from consecutive addresses. In these modes, the addresses for burst read are determined by the group within which the starting address falls. The groups are sized according to the number of words read in a single burst sequence for a given mode.(See Table 7.)

[Table 7] Burst Address Groups(Wrap mode only)

Burst Mode	Group Size	Group Address Ranges
8 word	8 words	0-7h, 8-Fh, 10-17h,
16 word	16 words	0-Fh, 10-1Fh, 20-2Fh,

As an example:

In wrap mode case, if the starting address in the 8-word mode is 2h, the address range to be read would be 0-7h, and the wrap burst sequence would be 2-3-4-5-6-7-0-1h. The burst sequence begins with the starting address written to the device, but wraps back to the first address in the selected group. In a similar manner, 16-word wrap mode begin their burst sequence on the starting address written to the device, and then wrap back to the first address in the selected address group.

9.4 Output Driver Setting

The device supports four kinds of output driver setting for matching the system characteristics. The users can tune the output driver impedance of the data and RDY outputs by address bits A20-A19. (See Configuration Register Table) The users can set the output driver strength independently for precise system characteristic matching. Table 8 shows which output driver would be tuned and the strength according to A20-A19. Upon power-up or reset, the register will revert to the default setting.

9.5 Programmable Wait State

The programmable wait state feature indicates to the device the number of additional clock cycles that must elapse after \overline{AVD} is driven active for burst read mode. Upon power up, the number of total initial access cycles defaults to eight.

Handshaking

The handshaking feature allows the host system to simply monitor the RDY signal from the device to determine when the initial word of burst data is ready to be read. To set the number of initial cycle for optimal burst mode, the host should use the programmable wait state configuration.(See "Set Burst Mode Configuration Register" for details.) The rising edge of RDY after \overline{OE} goes low indicates the initial word of valid burst data. Using the autoselect command sequence the handshaking feature may be verified in the device.

9.6 Set Burst Mode Configuration Register

The device uses a configuration register to set the various burst parameters : the number of initial cycles for burst and burst read mode. The burst mode configuration register must be set before the device enters burst mode.

The burst mode configuration register is loaded with a three-cycle command sequences. On the third cycle, the data should be C0h, address bits A11-A0 should be 555h, and address bits A20-A12 set the code to be latched. The device will power up or after a hardware reset with the default setting.

[Table 8] Burst Mode Configuration Register Table

Address Bit	Function	Settings(Binary)
A20	Output Driver Control	00 = Driver Multiplier : 1/3 01 = Driver Multiplier : 1/2 10 = Driver Multiplier : 1 (Default) 11 = Driver Multiplier : 1.5
A19		
A18	RDY Active	1 = RDY active one clock cycle before data 0 = RDY active with data(default)
A17	Burst Read Mode	000 = Continuous(default) 001 = 8-word linear with wrap 010 = 16-word linear with wrap 011 ~ 111 = Reserve
A16		
A15		
A14	Programmable Wait State	000 = Data is valid on the 4th active CLK edge after \overline{AVD} transition to V_{IH} (50/54Mhz) 001 = Data is valid on the 5th active CLK edge after \overline{AVD} transition to V_{IH} (60/66/70Mhz) 010 = Data is valid on the 6th active CLK edge after \overline{AVD} transition to V_{IH} (80/83Mhz) 011 = Data is valid on the 7th active CLK edge after \overline{AVD} transition to V_{IH} (90/100Mhz) 100 = Data is valid on the 8th active CLK edge after \overline{AVD} transition to V_{IH} (108Mhz,default) 101 = Reserve 110 = Reserve 111 = Reserve
A13		
A12		

NOTE :

1) Initial wait state should be set according to its clock frequency. Table 8 recommends the program wait state for each clock frequencies. Not 100% tested

9.6.1 Extended Configuration Register (option : K8S2615ET(B)E only)

The synchronous(burst) mode will start on the last rising edge of the CLK input while \overline{AVD} is held low after Extended Mode Register Setting to A12=1.

[Table 9] Extended Configuration Register table

Address Bit	Function	Settings(Binary)
A12	Read Mode	0 = Asynchronous Read Mode(default) 1 = Synchronous Burst Read Mode

9.7 Programmable Wait State Configuration

This feature informs the device of the number of clock cycles that must elapse after \overline{AVD} is driven active before data will be available. This value is determined by the input frequency of the device. Address bits A14-A12 determine the setting. (See Burst Mode Configuration Register Table)

The Programmable wait state setting instructs the device to set a particular number of clock cycles for the initial access in burst mode. Note that hardware reset will set the wait state to the default setting, that is 8 initial cycles.

9.8 Burst Read Mode Setting

The device supports three different burst read modes : continuous linear mode, 8 and 16 word linear burst modes with wrap

9.9 RDY Configuration

By default, the RDY pin will be high whenever there is valid data on the output. The device can be set so that RDY goes active one data cycle before active data. Address bit A18 determine this setting. Note that RDY always go high with valid data in case of word boundary crossing.

[Table 10] Burst Address Sequences

	Start Addr.	Burst Address Sequence		
		Continuous Burst	8-word Burst	16-word Burst
Wrap	0	0-1-2-3-4-5-6...	0-1-2-3-4-5-6-7	0-1-2-3-4-.....-D-E-F
	1	1-2-3-4-5-6-7...	1-2-3-4-5-6-7-0	1-2-3-4-5-.....-E-F-0
	2	2-3-4-5-6-7-8...	2-3-4-5-6-7-0-1	2-3-4-5-6-.....-F-0-1
	⋮	⋮	⋮	⋮

9.10 Autoselect Mode

By writing the autoselect command sequences to the system, the device enters the autoselect mode. This mode can be read only by asynchronous read mode. The system can then read autoselect codes from the internal register(which is separate from the memory array). Standard asynchronous read cycle timings apply in this mode. The device offers the Autoselect mode to identify manufacturer and device type by reading a binary code. In addition, this mode allows the host system to verify the block protection or unprotection. Table 11 shows the address and data requirements. The autoselect command sequence may be written to an address within a bank that is in the read mode, erase-suspend-read mode or program-suspend-read mode. The autoselect command may not be written while the device is actively programming or erasing in the device. The autoselect command sequence is initiated by first writing two unlock cycles. This is followed by a third write cycle that contains the address and the autoselect command. Note that the block address is needed for the verification of block protection. The system may read at any address within the same bank any number of times without initiating another autoselect command sequence. And the burst read should be prohibited during Autoselect Mode. To terminate the autoselect operation, write Reset command(F0H) into the command register.

[Table 11] Autoselect Mode Description

Description	Address	Read Data
Manufacturer ID	(DA) + 00H	ECH
Device ID	(DA) + 01H	2404H(Top), 2405H(Bottom)
Block Protection/Unprotection	(BA) + 02H	01H (protected), 00H (unprotected)
Handshaking	(DA) + 03H	0H : handshaking, 1H : non-handshaking

9.11 Standby Mode

When the \overline{CE} and \overline{RESET} inputs are both held at $V_{CC} \pm 0.2V$ or the system is not reading or writing, the device enters Stand-by mode to minimize the power consumption. In this mode, the device outputs are placed in the high impedance state, independent of the \overline{OE} input. When the device is in either of these standby modes, the device requires standard access time (t_{CE}) for read access before it is ready to read data. If the device is deselected during erasure or programming, the device draws active current until the operation is completed. I_{CCS} in the DC Characteristics table represents the standby current specification.

9.12 Automatic Sleep Mode

The device features Automatic Sleep Mode to minimize the device power consumption during both asynchronous and burst mode. When addresses remain stable for $t_{AA}+60ns$, the device automatically enables this mode. The automatic sleep mode is independent of the \overline{CE} , \overline{WE} , and \overline{OE} control signals. In a sleep mode, output data is latched and always available to the system. When addresses are changed, the device provides new data without wait time. Automatic sleep mode current is equal to standby mode current.

9.13 Output Disable Mode

When the \overline{OE} input is at V_{IH} , output from the device is disabled. The outputs are placed in the high impedance state.

9.14 Block Protection & Unprotection

To protect the block from accidental writes, the block protection/unprotection command sequence is used. On power up, all blocks in the device are protected. To unprotect a block, the system must write the block protection/unprotection command sequence. The first two cycles are written: addresses are don't care and data is 60h. Using the third cycle, the block address (ABP) and command (60h) is written, while specifying with addresses A6, A1 and A0 whether that block should be protected (A6 = V_{IL} , A1 = V_{IH} , A0 = V_{IL}) or unprotected (A6 = V_{IH} , A1 = V_{IH} , A0 = V_{IL}). After the third cycle, the system can continue to protect or unprotect additional cycles, or exit the sequence by writing F0h (reset command).

The device offers three types of data protection at the block level:

- The block protection/unprotection command sequence disables or re-enables both program and erase operations in any block.
- When \overline{WP} is at V_{IL} , the two outermost blocks are protected.
- When V_{PP} is at V_{IL} , all blocks are protected.

Note that user never float the V_{pp} and \overline{WP} , that is, V_{pp} is always connected with V_{IH} , V_{IL} or V_{ID} and \overline{WP} is V_{IH} or V_{IL} .

9.15 Hardware Reset

The device features a hardware method of resetting the device by the $\overline{\text{RESET}}$ input. When the $\overline{\text{RESET}}$ pin is held low (V_{IL}) for at least a period of t_{RP} , the device immediately terminates any operation in progress, tristates all outputs, and ignores all read/write commands for the duration of the $\overline{\text{RESET}}$ pulse. The device also resets the internal state machine to asynchronous read mode. To ensure data integrity, the interrupted operation should be reinitiated once the device is ready to accept another command sequence. As previously noted, when $\overline{\text{RESET}}$ is held at $V_{SS} \pm 0.2V$, the device enters standby mode. The $\overline{\text{RESET}}$ pin may be tied to the system reset pin. If a system reset occurs during the Internal Program or Erase Routine, the device will be automatically reset to the asynchronous read mode; this will enable the systems microprocessor to read the boot-up firmware from the Flash memory. If $\overline{\text{RESET}}$ is asserted during a program or erase operation, the device requires a time of t_{READY} (during Internal Routines) before the device is ready to read data again. If $\overline{\text{RESET}}$ is asserted when a program or erase operation is not executing, the reset operation is completed within a time of t_{READY} (not during Internal Routines). t_{RH} is needed to read data after $\overline{\text{RESET}}$ returns to V_{IH} . Refer to the AC Characteristics tables for $\overline{\text{RESET}}$ parameters and to Figure 10 for the timing diagram.

9.16 Software Reset

The reset command provides that the bank is reseted to read mode, erase-suspend-read mode or program-suspend-read mode. The addresses are in Don't Care state. The reset command may be written between the sequence cycles in an erase command sequence before erasing begins, or in an program command sequence before programming begins. If the device begins erasure or programming, the reset command is ignored until the operation is completed. If the program command sequence is written to a bank that is in the Erase Suspend mode, writing the reset command returns that bank to the erase-suspend-read mode. The reset command valid between the sequence cycles in an autoselect command sequence. In an autoselect mode, the reset command must be written to return to the read mode. If a bank entered the autoselect mode while in the Erase Suspend mode, writing the reset command returns that bank to the erase-suspend-read mode. Also, if a bank entered the autoselect mode while in the Program Suspend mode, writing the reset command returns that bank to the program-suspend-read mode. If DQ5 goes high during a program or erase operation, writing the reset command returns the banks to the read mode. (or erase-suspend-read mode if the bank was in Erase Suspend)

9.17 Program

The K8S2815E can be programmed in units of a word. Programming is writing 0's into the memory array by executing the Internal Program Routine. In order to perform the Internal Program Routine, a four-cycle command sequence is necessary. The first two cycles are unlock cycles. The third cycle is assigned for the program setup command. In the last cycle, the address of the memory location and the data to be programmed at that location are written. The device automatically generates adequate program pulses and verifies the programmed cell margin by the Internal Program Routine. During the execution of the Routine, the system is not required to provide further controls or timings. During the Internal Program Routine, commands written to the device will be ignored.

Note that a hardware reset during a program operation will cause data corruption at the corresponding location.

9.18 Accelerated Program Operation

The device provides Single/Quadruple word accelerated program operations through the V_{pp} input. Using this mode, faster manufacturing throughput at the factory is possible. When V_{ID} is asserted on the V_{pp} input, the device automatically enters the Unlock Bypass mode, temporarily unprotects any protected blocks, and uses the higher voltage on the input to reduce the time required for program operations. By removing V_{ID} returns the device to normal operation mode.

Note that Read while Accelerated Programm and Program suspend mode are not guaranteed

Single word accelerated program operation

The system would use two-cycle program sequence (One-cycle (XXX - A0H) is for single word program command, and Next one-cycle (PA - PD) is for program address and data).

Quadruple word accelerated program operation

As well as Single word accelerated program, the system would use five-cycle program sequence (One-cycle (XXX - A5H) is for quadruple word program command, and four cycles are for program address and data).

- Only four words programming is possible
- Each program address must have the same A22~A2 address
- The device automatically generates adequate program pulses and ignores other command after program command
- Program/Erase cycling must be limited below 100cycles for optimum performance.
- Read while Write mode is not guaranteed

Requirements : Ambient temperature : $T_A=30^{\circ}\text{C}\pm 10^{\circ}\text{C}$

9.19 Unlock Bypass

The K8S2815E provides the unlock bypass mode to save its operation time. This mode is possible for program, block erase and chip erase operation. There are two methods to enter the unlock bypass mode. The mode is invoked by the unlock bypass command sequence or the assertion of VID on VPP pin. Unlike the standard program/erase command sequence that contains four bus cycles, the unlock bypass program/erase command sequence comprises only two bus cycles. The unlock bypass mode is engaged by issuing the unlock bypass command sequence which is comprised of three bus cycles. Writing first two unlock cycles is followed by a third cycle containing the unlock bypass command (20H). Once the device is in the unlock bypass mode, the unlock bypass program/erase command sequence is necessary. The unlock bypass program command sequence is comprised of only two bus cycles; writing the unlock bypass program command (A0H) is followed by the program address and data. This command sequence is the only valid one for programming the device in the unlock bypass mode. Also, The unlock bypass erase command sequence is comprised of two bus cycles; writing the unlock bypass block erase command(80H-30H) or writing the unlock bypass chip erase command(80H-10H). This command sequences are the only valid ones for erasing the device in the unlock bypass mode. The unlock bypass reset command sequence is the only valid command sequence to exit the unlock bypass mode. The unlock bypass reset command sequence consists of two bus cycles. The first cycle must contain the data (90H). The second cycle contains only the data (00H). Then, the device returns to the read mode.

To enter the unlock bypass mode in hardware level, the VID also can be used. By assertion VID on the VPP pin, the device enters the unlock bypass mode. Also, the all blocks are temporarily unprotected when the device using the VID for unlock bypass mode. To exit the unlock bypass mode, just remove the asserted VID from the VPP pin.(Note that user never float the Vpp, that is, Vpp is always connected with VIH, VIL or VID.).

9.20 Chip Erase

To erase a chip is to write 1's into the entire memory array by executing the Internal Erase Routine. The Chip Erase requires six bus cycles to write the command sequence. The erase set-up command is written after first two "unlock" cycles. Then, there are two more write cycles prior to writing the chip erase command. The Internal Erase Routine automatically pre-programs and verifies the entire memory for an all zero data pattern prior to erasing. The automatic erase begins on the rising edge of the last \overline{WE} pulse in the command sequence and terminates when DQ7 is "1". After that the device returns to the read mode.

9.21 Block Erase

To erase a block is to write 1's into the desired memory block by executing the Internal Erase Routine. The Block Erase requires six bus cycles to write the command sequence shown in Table 6. After the first two "unlock" cycles, the erase setup command (80H) is written at the third cycle. Then there are two more "unlock" cycles followed by the Block Erase command. The Internal Erase Routine automatically pre-programs and verifies the entire memory prior to erasing it. The block address is latched on the rising edge of \overline{AVD} , while the Block Erase command is latched on the rising edge of \overline{WE} . Multiple blocks can be erased sequentially by writing the sixth bus-cycle. Upon completion of the last cycle for the Block Erase, additional block address and the Block Erase command (30H) can be written to perform the Multi-Block Erase. For the Multi-Block Erase, only sixth cycle(block address and 30H) is needed.(Similarly, only second cycle is needed in unlock bypass block erase.) An 50us (typical) "time window" is required between the Block Erase command writes. The Block Erase command must be written within the 50us "time window", otherwise the Block Erase command will be ignored. The 50us "time window" is reset when the falling edge of the \overline{WE} occurs within the 50us of "time window" to latch the Block Erase command. During the 50us of "time window", any command other than the Block Erase or the Erase Suspend command written to the device will reset the device to read mode. After the 50 us of "time window", the Block Erase command will initiate the Internal Erase Routine to erase the selected blocks. Any Block Erase address and command following the exceeded "time window" may or may not be accepted. No other commands will be recognized except the Erase Suspend command during Block Erase operation.

The device provides accelerated erase operations through the Vpp input. When VID is asserted on the Vpp input, the device automatically enters the Unlock Bypass mode, temporarily unprotects any protected blocks, and uses the higher voltage on the input to reduce the time required for erase. By removing VID returns the device to normal operation mode.

9.22 Erase Suspend / Resume

The Erase Suspend command interrupts the Block Erase to read or program data in a block that is not being erased. Also, it is possible to protect or unprotect of the block that is not being erased in erase suspend mode. The Erase Suspend command is only valid during the Block Erase operation including the time window of 50us. The Erase Suspend command is not valid while the Chip Erase or the Internal Program Routine sequence is running. When the Erase Suspend command is written during a Block Erase operation, the device requires a maximum of 20us(recovery time) to suspend the erase operation. Therefore system must wait for 20us(recovery time) to read the data from the bank which include the block being erased. Otherwise, system can read the data immediately from a bank which don't include the block being erased without recovery time(max. 20us) after Erase Suspend command. And, after the maximum 20us recovery time, the device is available for programming data in a block that is not being erased. But, when the Erase Suspend command is written during the block erase time window (50us), the device immediately terminates the block erase time window and suspends the erase operation. The system may also write the autoselect command sequence when the device is in the Erase Suspend mode. When the Erase Resume command is executed, the Block Erase operation will resume. When the Erase Suspend or Erase Resume command is executed, the addresses are in Don't Care state. In erase suspend followed by resume operation, min. 200ns is needed for checking the busy status.

In the program suspend mode, protect/unprotect command is prohibited.

While erase can be suspended and resumed multiple times, a minimum 30us is required from resume to the next suspend.

9.23 Program Suspend / Resume

The device provides the Program Suspend/Resume mode. This mode is used to enable Data Read by suspending the Program operation. The device accepts a Program Suspend command in Program mode(including Program operations performed during Erase Suspend) but other commands are ignored. After input of the Program Suspend command, 10us is needed to enter the Program Suspend Read mode. Therefore system must wait for 10us(recovery time) to read the data from the bank which include the block being programmed. Othwewise, system can read the data immediately from a bank which don't include block being programmed without recovery time(max. 10us) after Program Suspend command. Like an Erase Suspend mode, the device can be returned to Program mode by using a Program Resume command. In program suspend followed by resume operation, min. 200ns is needed for checking the busy status.

While program operation can be suspended and resumed multiple times, a minimum 30us is required from resume to the next suspend.

9.24 Read While Write Operation

The device is capable of reading data from one bank while writing in the other banks. This is so called the Read While Write operation. An erase operation may also be suspended to read from or program to another location within the same bank(except the block being erased). The Read While Write operation is prohibited during the chip erase operation. Figure 17 shows how read and write cycles may be initiated for simultaneous operation with zero latency. Refer to the DC Characteristics table for read-while-write current specifications.

9.25 OTP Block Region

The OTP Block feature provides a 256-word Flash memory region that enables permanent part identification through an Electronic Serial Number (ESN). The OTP Block is customer lockable and shipped with itself unlocked, allowing customers to utilize the that block in any manner they choose. The customer-lockable OTP Block has the Protection Verify Bit (DQ0) set to a "0" for Unlocked state or a "1" for Locked state.

The system accesses the OTP Block through a command sequence (see "Enter OTP Block / Exit OTP Block Command sequence" at Table 6. After the system has written the "Enter OTP Block" Command sequence, it may read the OTP Block by using the address (7FFF00h~7FFFFFFh, in top boot device),(000000h~0000FFh, in bottom boot device)normally and may check the Protection Verify Bit (DQ0) by using the "Autoselect Block Protection Verify" Command sequence with OTP Block address. This mode of operation continues until the system issues the "Exit OTP Block" Command sequence, a hardware reset or until power is removed from the device. On power-up, or following a hardware reset, the device reverts to sending commands to main blocks. Note that the Accelerated function and unlock bypass modes are not available when the OTP Block is enabled.

Customer Lockable

In a Customer lockable device, The OTP Block is one-time programmable and can be locked only once. Note that the Accelerated programming and Unlock bypass functions are not available when programming the OTP Block. Locking operation to the OTP Block is started by writing the "Enter OTP Block" Command sequence, and then the "Block Protection" Command sequence (Table 6) with an OTP Block address. Hardware reset terminates Locking operation, and then makes exiting from OTP Block. The Locking operation has to be above 100us. (After 3rd cycle of protection command invoked, at least 100us wait time is required.) "Exit OTP Block" command sequence and Hardware reset makes locking operation finished and then exiting from OTP Block after 30us.

The OTP Block Lock operation must be used with caution since, once locked, there is no procedure available for unlocking and none of the bits in the OTP Block space can be modified in any way.

Suspend and resume operation are not supported during OTP protect, nor is OTP protect supported during any suspend operations.

9.26 Write Pulse "Glitch" Protection

Noise pulses of less than 5ns (typical) on \overline{OE} , \overline{CE} , \overline{AVD} or \overline{WE} do not initiate a write cycle.

9.27 Low V_{CC} Write Inhibit

To avoid initiation of a write cycle during V_{CC} power-up and power-down, a write cycle is locked out for V_{CC} less than V_{LKO}. If the V_{CC} < V_{LKO} (Lock-Out Voltage), the command register and all internal program/erase circuits are disabled. Under this condition the device will reset itself to the read mode. Subsequent writes will be ignored until the V_{CC} level is greater than V_{LKO}. It is the user's responsibility to ensure that the control pins are logically correct to prevent unintentional writes when V_{CC} is above V_{LKO}.

9.28 Logical Inhibit

Write cycles are inhibited by holding any one of $\overline{OE} = V_{IL}$, $\overline{CE} = V_{IH}$ or $\overline{WE} = V_{IH}$. To initiate a write cycle, \overline{CE} and \overline{WE} must be a logical zero while \overline{OE} is a logical one.

9.29 Power-up Protection

To avoid initiation of a write cycle during V_{CC} power-up, \overline{RESET} low must be asserted during Power-up. After \overline{RESET} goes high, the device is reset to the read mode.

9.30 FLASH MEMORY STATUS FLAGS

The K8S2815E has means to indicate its status of operation in the bank where a program or erase operation is in processes. Address must include bank address being executed internal routine operation. The status is indicated by raising the device status flag via corresponding DQ pins. The status data can be read during burst read mode by using \overline{AVD} signal with a bank address. That means status read is supported in synchronous mode. If status read is performed, the data provided in the burst read is identical to the data in the initial access. To initiate the synchronous read again, a new address and \overline{AVD} pulse is needed after the host has completed status reads or the device has completed the program or erase operation. The corresponding DQ pins are DQ7, DQ6, DQ5, DQ3 and DQ2.

[Table 12] Hardware Sequence Flags

Status		DQ7	DQ6	DQ5	DQ3	DQ2	
In Progress	Programming	$\overline{DQ7}$	Toggle	0	0	1	
	Block Erase or Chip Erase	0	Toggle	0	1	Toggle	
	Erase Suspend Read	Erase Suspended Block	1	1	0	0	Toggle ¹⁾
	Erase Suspend Read	Non-Erase Suspended Block	Data	Data	Data	Data	Data
	Erase Suspend Program	Non-Erase Suspended Block	$\overline{DQ7}$	Toggle	0	0	1
	Program Suspend Read	Program Suspended Block	DQ7	1	0	0	Toggle ¹⁾
	Program Suspend Read	Non-program Suspended Block	Data	Data	Data	Data	Data
Exceeded Time Limits	Programming	$\overline{DQ7}$	Toggle	1	0	No Toggle	
	Block Erase or Chip Erase	0	Toggle	1	1	NOTE 2	
	Erase Suspend Program	$\overline{DQ7}$	Toggle	1	0	No Toggle	

NOTE :

- 1) DQ2 will toggle when the device performs successive read operations from the erase/program suspended block.
 2) If DQ5 is High (exceeded timing limits), successive reads from a problem block will cause DQ2 to toggle.

DQ7 : Data Polling

When an attempt to read the device is made while executing the Internal Program, the complement of the data is written to DQ7 as an indication of the Routine in progress. When the Routine is completed an attempt to access to the device will produce the true data written to DQ7. When a user attempts to read the block being erased or bank contains the block, DQ7 will be low. If the device is placed in the Erase/Program Suspend Mode, the status can be detected via the DQ7 pin. If the system tries to read an address which belongs to a block that is being erase suspended, DQ7 will be high. And, if the system tries to read an address which belongs to a block that is being program suspended, the output will be the true data of DQ7 itself. If a non-erase-suspended or non-program-suspended block address is read, the device will produce the true data to DQ7. If an attempt is made to program a protected block, DQ7 outputs complements the data for approximately 1 μ s and the device then returns to the Read Mode without changing data in the block. If an attempt is made to erase a protected block, DQ7 outputs complement data in approximately 100 μ s and the device then returns to the Read Mode without erasing the data in the block.

DQ6 : Toggle Bit

Toggle bit is another option to detect whether an Internal Routine is in progress or completed. Once the device is at a busy state, DQ6 will toggle. Toggling DQ6 will stop after the device completes its Internal Routine. If the device is in the Erase/Program Suspend Mode, an attempt to read an address that belongs to a block that is being erased or programmed will produce a high output of DQ6. If an address belongs to a block that is not being erased or programmed, toggling is halted and valid data is produced at DQ6. If an attempt is made to program a protected block, DQ6 toggles for approximately 1 μ s and the device then returns to the Read Mode without changing the data in the block. If an attempt is made to erase a protected block, DQ6 toggles for approximately 100 μ s and the device then returns to the Read Mode without erasing the data in the block. #OE or #CE should be toggled in each toggle bit status read.

DQ5 : Exceed Timing Limits

If the Internal Program/Erase Routine extends beyond the timing limits, DQ5 will go High, indicating program/erase failure.

DQ3 : Block Erase Timer

The status of the multi-block erase operation can be detected via the DQ3 pin. DQ3 will go High if 50 μ s of the block erase time window expires. In this case, the Internal Erase Routine will initiate the erase operation. Therefore, the device will not accept further write commands until the erase operation is completed. DQ3 is Low if the block erase time window is not expired. Within the block erase time window, an additional block erase command (30H) can be accepted. To confirm that the block erase command has been accepted, the software may check the status of DQ3 following each block erase command.

DQ2 : Toggle Bit 2

The device generates a toggling pulse in DQ2 only if an Internal Erase Routine or an Erase/Program Suspend is in progress. When the device executes the Internal Erase Routine, DQ2 toggles if the bank including an erasing block is read. Although the Internal Erase Routine is in the Exceeded Time Limits, DQ2 toggles if an erasing block in the Exceeded Time Limits is read. When the device is in the Erase/Program Suspend mode, DQ2 toggles only if an address in the erasing or programming block is read. If a non-erasing or non-programmed block address is read during the Erase/Program Suspend mode, then DQ2 will produce valid data. DQ2 will go High if the user tries to program a non-erase suspend block while the device is in the Erase Suspend mode. #OE or #CE should be toggled in each toggle bit status read.

RDY: Ready

Normally the RDY signal is used to indicate if new burst data is available at the rising edge of the clock cycle or not. If RDY is low state, data is not valid at expected time, and if high state, data is valid. Note that, if \overline{CE} is low and \overline{OE} is high, the RDY is high state.

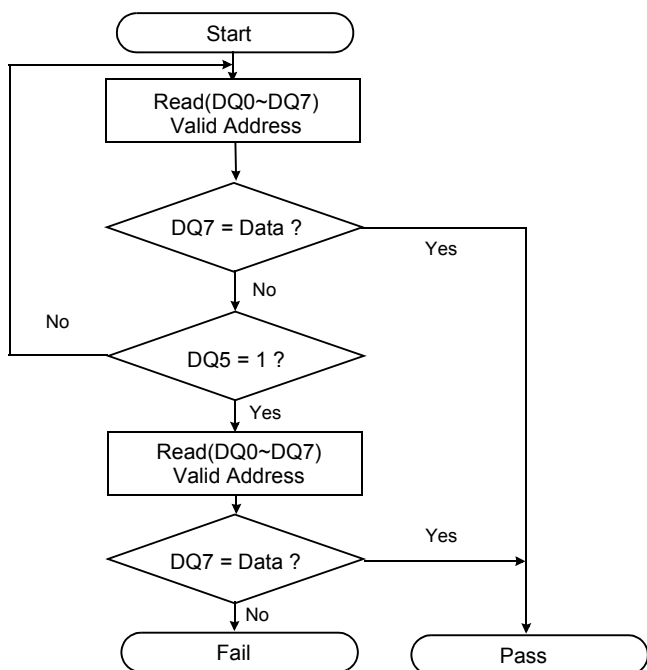


Figure 1. Data Polling Algorithms

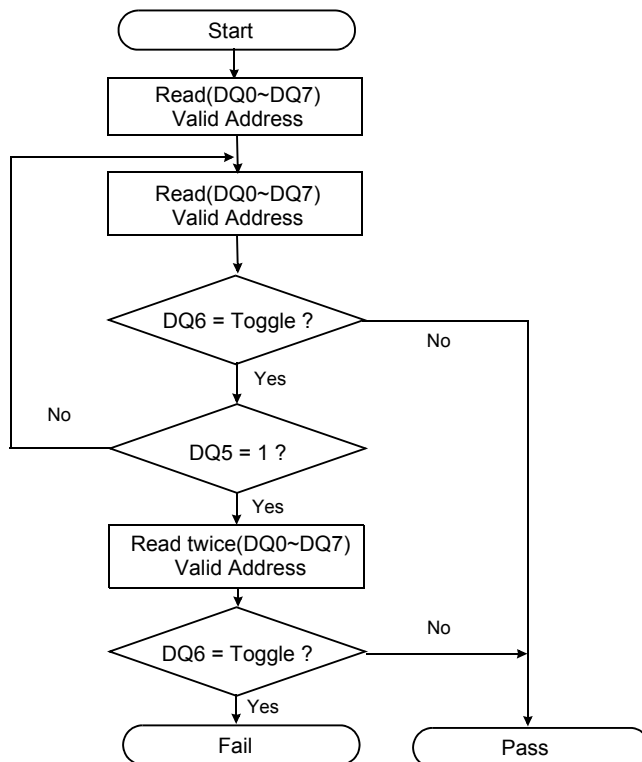


Figure 2. Toggle Bit Algorithms

10.0 COMMON FLASH MEMORY INTERFACE

Common Flash Memory Interface is contrived to increase the compatibility of host system software. It provides the specific information of the device, such as memory size and electrical features. Once this information has been obtained, the system software will know which command sets to use to enable flash writes, block erases, and control the flash component.

When the system writes the CFI command(98H) to address 55H , the device enters the CFI mode. And then if the system writes the address shown in Table 13, the system can read the CFI data. Query data are always presented on the lowest-order data outputs(DQ0-7) only. In word(x16) mode, the upper data outputs(DQ8-15) is 00h. To terminate this operation, the system must write the reset command.

[Table 13] Common Flash Memory Interface Code

Description	Addresses (Word Mode)	Data
Query Unique ASCII string "QRY"	10H 11H 12H	0051H 0052H 0059H
Primary OEM Command Set	13H 14H	0002H 0000H
Address for Primary Extended Table	15H 16H	0040H 0000H
Alternate OEM Command Set (00h = none exists)	17H 18H	0000H 0000H
Address for Alternate OEM Extended Table (00h = none exists)	19H 1AH	0000H 0000H
Vcc Min. (write/erase) D7-D4: volt, D3-D0: 100 millivolt	1BH	0017H
Vcc Max. (write/erase) D7-D4: volt, D3-D0: 100 millivolt	1CH	0019H
Vpp(Acceleration Program) Supply Minimum 00 = Not Supported, D7 - D4 : Volt, D3 - D0 : 100mV	1DH	0085H
Vpp(Acceleration Program) Supply Maximum 00 = Not Supported, D7 - D4 : Volt, D3 - D0 : 100mV	1EH	0095H
Typical timeout per single word write 2^N us	1FH	0004H
Typical timeout for Min. size buffer write 2^N us(00H = not supported)	20H	0000H
Typical timeout per individual block erase 2^N ms	21H	000AH
Typical timeout for full chip erase 2^N ms(00H = not supported)	22H	0012H
Max. timeout for word write 2^N times typical	23H	0005H
Max. timeout for buffer write 2^N times typical	24H	0000H
Max. timeout per individual block erase 2^N times typical	25H	0004H
Max. timeout for full chip erase 2^N times typical(00H = not supported)	26H	0000H
Device Size = 2^N byte	27H	0018H
Flash Device Interface description	28H 29H	0000H 0000H
Max. number of byte in multi-byte write = 2^N	2AH 2BH	0000H 0000H
Number of Erase Block Regions within device	2CH	0002H

Description	Addresses (Word Mode)	Data
Erase Block Region 1 Information Bits 0~15: y+1=block number Bits 16~31: block size= z x 256bytes	2DH 2EH 2FH 30H	0007H 0000H 0020H 0000H
Erase Block Region 2 Information	31H 32H 33H 34H	00FEH 0000H 0000H 0001H
Erase Block Region 3 Information	35H 36H 37H 38H	0000H 0000H 0000H 0000H
Erase Block Region 4 Information	39H 3AH 3BH 3CH	0000H 0000H 0000H 0000H
Query-unique ASCII string "PRI"	40H 41H 42H	0050H 0052H 0049H
Major version number, ASCII	43H	0032H
Minor version number, ASCII	44H	0033H
Address Sensitive Unlock(Bits 1-0) 0 = Required, 1= Not Required Silcon Revision Number(Bits 7-2)	45H	0000H
Erase Suspend 0 = Not Supported, 1 = To Read Only, 2 = To Read & Write	46H	0002H
Block Protect 00 = Not Supported, 01 = Supported	47H	0001H
Block Temporary Unprotect 00 = Not Supported, 01 = Supported	48H	0000H
Block Protect/Unprotect scheme 00 = Not Supported, 01 = Supported	49H	0001H
Simultaneous Operation 00 = Not Supported, 01 = Supported	4AH	0001H
Burst Mode Type 00 = Not Supported, 01 = Supported	4BH	0001H
Page Mode Type 00 = Not Supported, 01 = 4 Word Page 02 = 8 Word Page	4CH	0000H
Top/Bottom Boot Block Flag 02H = Bottom Boot Device, 03H = Top Boot Device	4DH	0003H
Max. Operating Clock Frequency (MHz)	4EH	006CH
RWW(Read While Write) Functionality Restriction (00H = non exists , 01H = exists)	4FH	0000H
Handshaking 00 = Not Supported at both mode, 01 = Supported at Sync. Mode 10 = Supported at Async. Mode, 11 = Supported at both Mode	50H	0001H

11.0 ABSOLUTE MAXIMUM RATINGS

Parameter	Symbol	Rating	Unit
Voltage on any pin relative to V_{SS}	V_{CC}	-0.5 to +2.5	V
	V_{PP}	-0.5 to +9.5	
	All Other Pins	-0.5 to +2.5	
Temperature Under Bias	Commercial	-10 to +125	°C
	Extended	-25 to +125	
Storage Temperature	T_{stg}	-65 to +150	°C
Short Circuit Output Current	I_{OS}	5	mA
Operating Temperature	T_A (Commercial Temp.)	0 to +70	°C
	T_A (Extended Temp.)	-25 to +85	°C

NOTE :

- 1) Minimum DC voltage is -0.5V on Input/ Output pins. During transitions, this level may fall to -2.0V for periods <20ns.
Maximum DC voltage is $V_{CC}+0.6V$ on input / output pins which, during transitions, may overshoot to $V_{CC}+2.0V$ for periods <20ns.
- 2) Minimum DC input voltage is -0.5V on VPP. During transitions, this level may fall to -2.0V for periods <20ns.
Maximum DC input voltage is +9.5V on VPP which, during transitions, may overshoot to +12.0V for periods <20ns.
- 3) Permanent device damage may occur if ABSOLUTE MAXIMUM RATINGS are exceeded. Functional operation should be restricted to the conditions detailed in the operational sections of this data sheet. Exposure to absolute maximum rating conditions for extended periods may affect reliability.

12.0 RECOMMENDED OPERATING CONDITIONS (Voltage reference to GND)

Parameter	Symbol	Min	Typ.	Max	Unit
Supply Voltage	V_{CC}	1.7	1.8	1.95	V
Supply Voltage	V_{SS}	0	0	0	V

13.0 DC CHARACTERISTICS

Parameter	Symbol	Test Conditions	Min	Typ	Max	Unit	
Input Leakage Current	I_{LI}	$V_{IN}=V_{SS}$ to V_{CC} , $V_{CC}=V_{CCmax}$	-1.0	-	+1.0	μA	
VPP Leakage Current	I_{LIP}	$V_{CC}=V_{CCmax}$, $V_{PP}=V_{CCmax}$	-1.0	-	+1.0	μA	
		$V_{CC}=V_{CCmax}$, $V_{PP}=9.5V$	-	-	35	μA	
Output Leakage Current	I_{LO}	$V_{OUT}=V_{SS}$ to V_{CC} , $V_{CC}=V_{CCmax}$, $OE=V_{IH}$	-1.0	-	+1.0	μA	
Active Burst Read Current	I_{CCB1}	$CE=V_{IL}$, $OE=V_{IH}$ (Continuous Burst, 108Mhz)	-	24	36	mA	
Active Asynchronous Read Current	I_{CC1}	$\overline{CE}=V_{IL}$, $\overline{OE}=V_{IH}$	10MHz	-	27	40	mA
Active Write Current ²⁾	I_{CC2}	$CE=V_{IL}$, $OE=V_{IH}$, $WE=V_{IL}$, $V_{PP}=V_{IH}$	-	15	30	mA	
Read While Write Current	I_{CC3}	$CE=V_{IL}$, $OE=V_{IH}$	-	40	70	mA	
Accelerated Program Current	I_{CC4}	$CE=V_{IL}$, $\overline{OE}=V_{IH}$, $V_{PP}=9.5V$	-	15	30	mA	
Standby Current	I_{CC5}	$CE=RESET=V_{CC} \pm 0.2V$	-	15	50	μA	
Standby Current During Reset	I_{CC6}	$RESET = V_{SS} \pm 0.2V$	-	15	50	μA	
Automatic Sleep Mode ³⁾	I_{CC7}	$CE=V_{SS} \pm 0.2V$, Other Pins= V_{IL} or V_{IH} $V_{IL} = V_{SS} \pm 0.2V$, $V_{IH} = V_{CC} \pm 0.2V$	-	15	50	μA	
Input Low Voltage	V_{IL}		-0.5	-	0.4	V	
Input High Voltage	V_{IH}		$V_{CC}-0.4$	-	$V_{CC}+0.4$	V	
Output Low Voltage	V_{OL}	$I_{OL} = 100 \mu A$, $V_{CC}=V_{CCmin}$	-	-	0.1	V	
Output High Voltage	V_{OH}	$I_{OH} = -100 \mu A$, $V_{CC}=V_{CCmin}$	$V_{CC}-0.1$	-	-	V	
Voltage for Accelerated Program	V_{ID}		8.5	9.0	9.5	V	
Low VCC Lock-out Voltage	V_{LKO}		-	-	1.4	V	

NOTE :

- 1) Maximum ICC specifications are tested with $V_{CC} = V_{CCmax}$.
- 2) ICC active while Internal Erase or Internal Program is in progress.
- 3) Device enters automatic sleep mode when addresses are stable for $t_{AA} + 60ns$.

Vcc Power-up

Parameter	Symbol	All Speed Options		Unit
		Min	Max	
V _{CC} Setup Time	t _{VCS}	200	-	μs
Time between $\overline{\text{RESET}}$ (high) and $\overline{\text{CE}}$ (low)	t _{RH}	200	-	ns

NOTE :
1) Not 100% tested.

SWITCHING WAVEFORMS

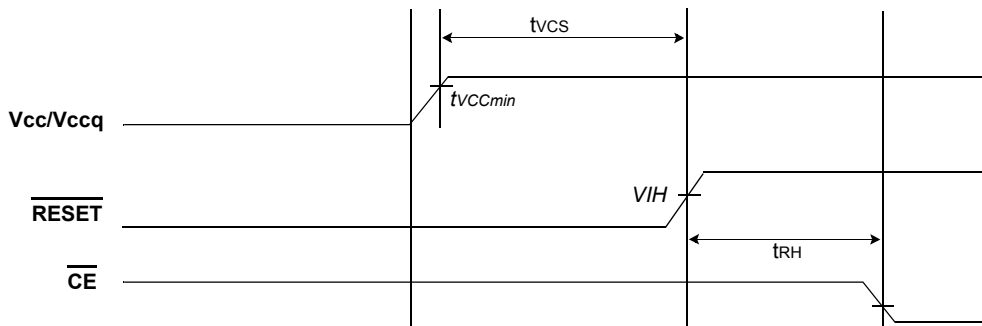


Figure 3. Vcc Power-up Diagram

14.0 CAPACITANCE

(TA = 25 °C, VCC = 1.8V, f = 1.0MHz)

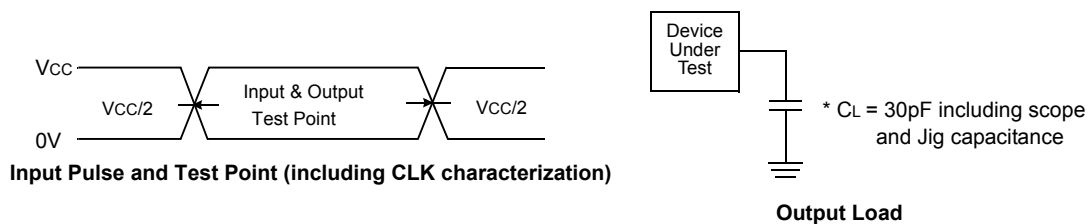
Item	Symbol	Test Condition	Min	Max	Unit
Input Capacitance	C _{IN}	V _{IN} =0V	-	10	pF
Output Capacitance	C _{OUT}	V _{OUT} =0V	-	10	pF
Control Pin Capacitance	C _{IN2}	V _{IN} =0V	-	10	pF

NOTE :

1)Capacitance is periodically sampled and not 100% tested.

15.0 AC TEST CONDITION

Parameter	Value
Input Pulse Levels	0V to V _{CC}
Input Rise and Fall Times	3ns(max)@66MHz, 2.5ns(max)@83MHz, 1.5ns(max)@108MHz
Input and Output Timing Levels	V _{CC} /2
Output Load	C _L = 30pF
Address to Address Skew	3ns(max)



AC CHARACTERISTICS

Synchronous/Burst Read

Parameter	Symbol	7B (54 MHz)		7C (66 MHz)		7D (83 MHz)		7E (108 MHz)		Unit
		Min	Max	Min	Max	Min	Max	Min	Max	
Initial Access Time	t _{iAA}	-	70	-	70	-	70	-	70	ns
Burst Access Time Valid Clock to Output Delay	t _{BA}	-	14.5	-	11	-	9	-	7	ns
$\overline{\text{AVD}}$ Setup Time to CLK	t _{AVDS}	5	-	5	-	4	-	4	-	ns
$\overline{\text{AVD}}$ Hold Time from CLK	t _{AVDH}	2	-	2	-	2	-	2	-	ns
$\overline{\text{AVD}}$ High to $\overline{\text{OE}}$ Low	t _{AVDO}	0	-	0	-	0	-	0	-	ns
Address Setup Time to CLK	t _{ACS}	5	-	4	-	4	-	3.5	-	ns
Address Hold Time from CLK	t _{ACH}	7	-	6	-	5	-	2	-	ns
Data Hold Time from Next Clock Cycle	t _{BDH}	4	-	3	-	3	-	2	-	ns
Output Enable to Data	t _{OE}	-	20	-	20	-	20	-	20	ns
Output Enable to RDY valid	t _{OER}	-	14.5	-	11	-	9	-	7	ns
$\overline{\text{CE}}$ Disable to High Z	t _{CEZ}	-	15	-	15	-	11	-	8.5	ns
$\overline{\text{OE}}$ Disable to High Z	t _{OEZ}	-	9	-	9	-	9	-	9	ns
$\overline{\text{CE}}$ Setup Time to CLK	t _{CES}	6	-	6	-	4.5	-	4.5	-	ns
$\overline{\text{CE}}$ Enable to RDY active	t _{RDY}	-	7	-	7	-	7	-	7	ns
CLK to RDY Setup Time	t _{RDYA}	-	14.5	-	11	-	9	-	7	ns
RDY Setup Time to CLK	t _{RDYS}	4	-	3	-	3	-	2	-	ns
CLK period	t _{CLK}	18.5	-	15.1	-	12.05	-	9.26	-	ns
CLK High or Low Time	t _{CLKH/L}	0.4x t _{CLK}	0.6x t _{CLK}	0.4x t _{CLK}	0.6x t _{CLK}	0.4x t _{CLK}	0.6x t _{CLK}	0.4x t _{CLK}	0.6x t _{CLK}	ns
CLK Fall or Rise Time	t _{CLKHCL}	-	3	-	3	-	2.5	-	1.5	ns

SWITCHING WAVEFORMS

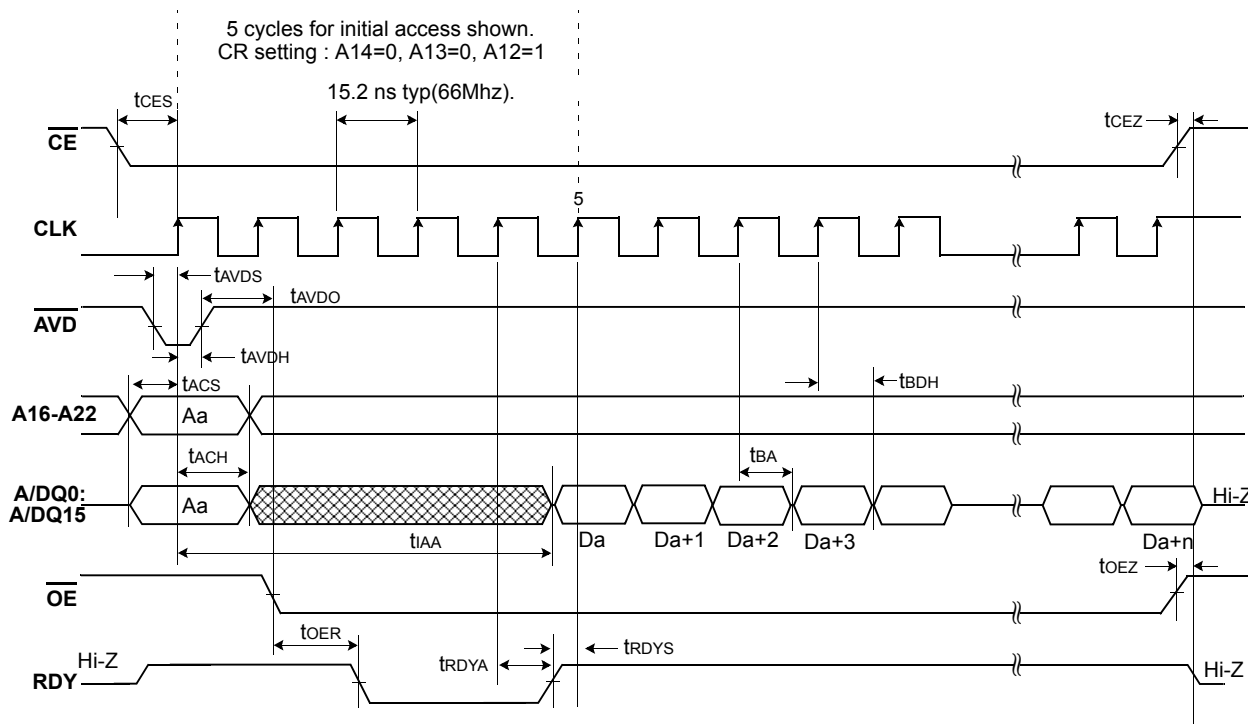


Figure 4. Continuous Burst Mode Read (66MHz)

NOTE :

1) In order to avoid a bus conflict the OE signal is enabled on the next rising edge after AVD is going high.

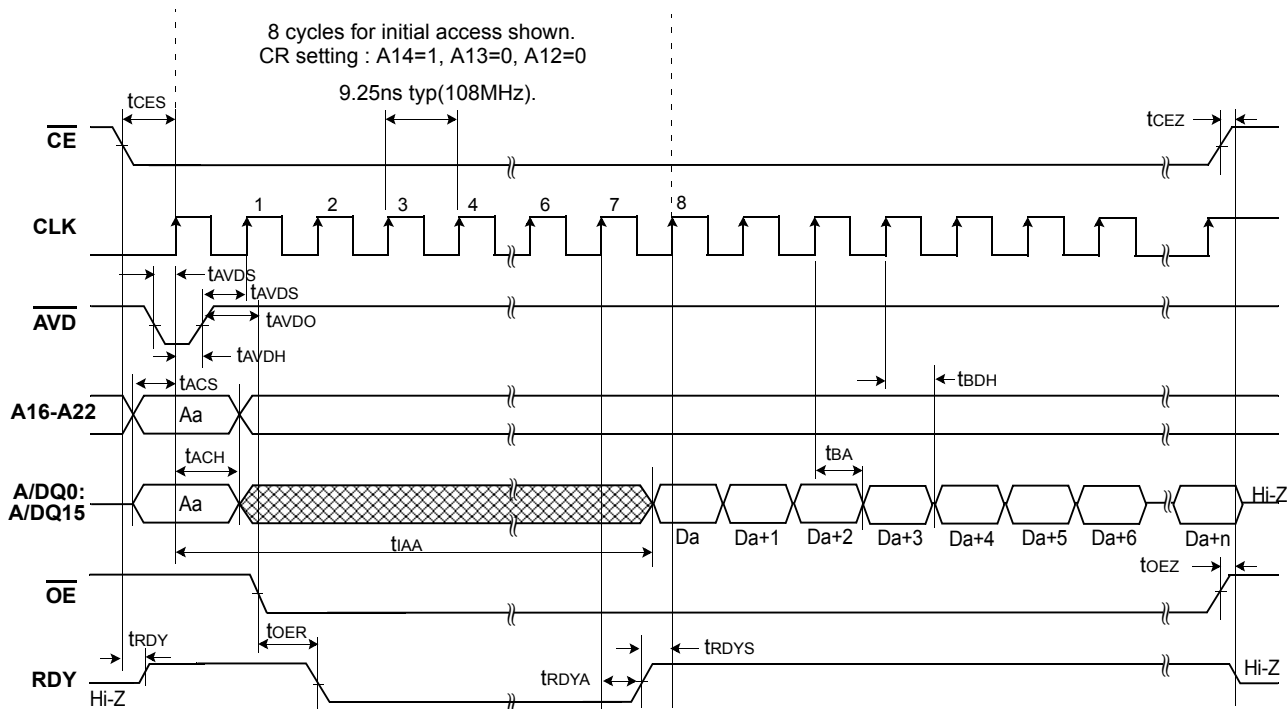


Figure 5. Continuous Burst Mode Read (108MHz)

NOTE :

1) In order to avoid a bus conflict the OE signal is enabled on the next rising edge after AVD is going high.

SWITCHING WAVEFORMS

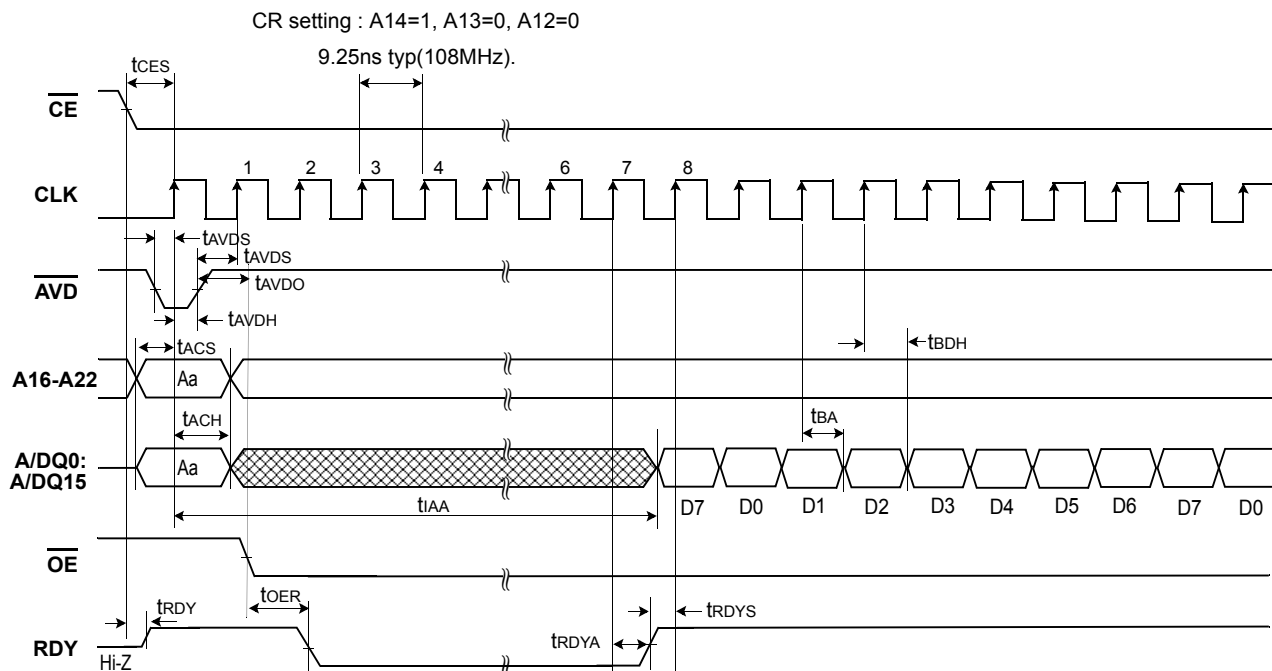


Figure 6. 8 word Linear Burst Mode with Wrap Around (108MHz)

NOTE:

1) In order to avoid a bus conflict the \overline{OE} signal is enabled on the next rising edge after \overline{AVD} is going high.

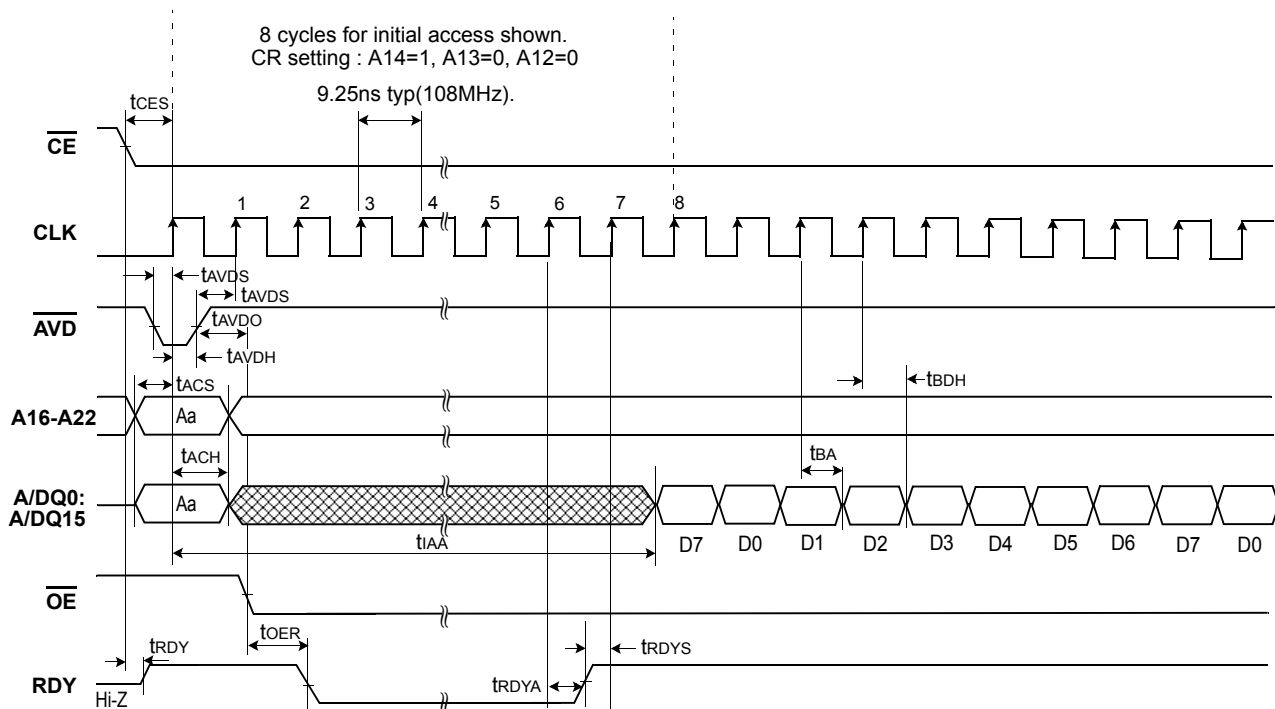


Figure 7. 8 word Linear Burst with RDY Set One Cycle Before Data (Wrap Around Mode, CR setting : A18=1)

NOTE:

1) In order to avoid a bus conflict the \overline{OE} signal is enabled on the next rising edge after \overline{AVD} is going high.

SWITCHING WAVEFORMS

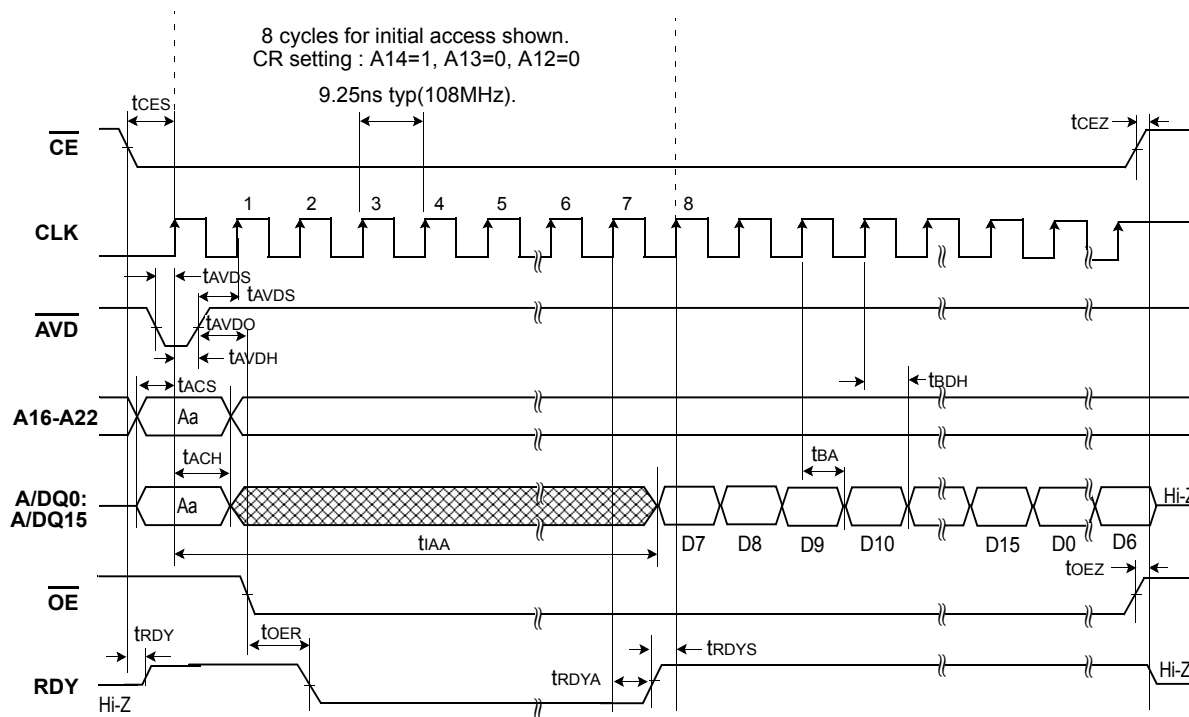


Figure 8. 16 word Linear Burst Mode with Wrap Around (108Mhz)

NOTE:

1) In order to avoid a bus conflict the OE signal is enabled on the next rising edge after AVD is going high.

AC CHARACTERISTICS

15.1 Asynchronous Read

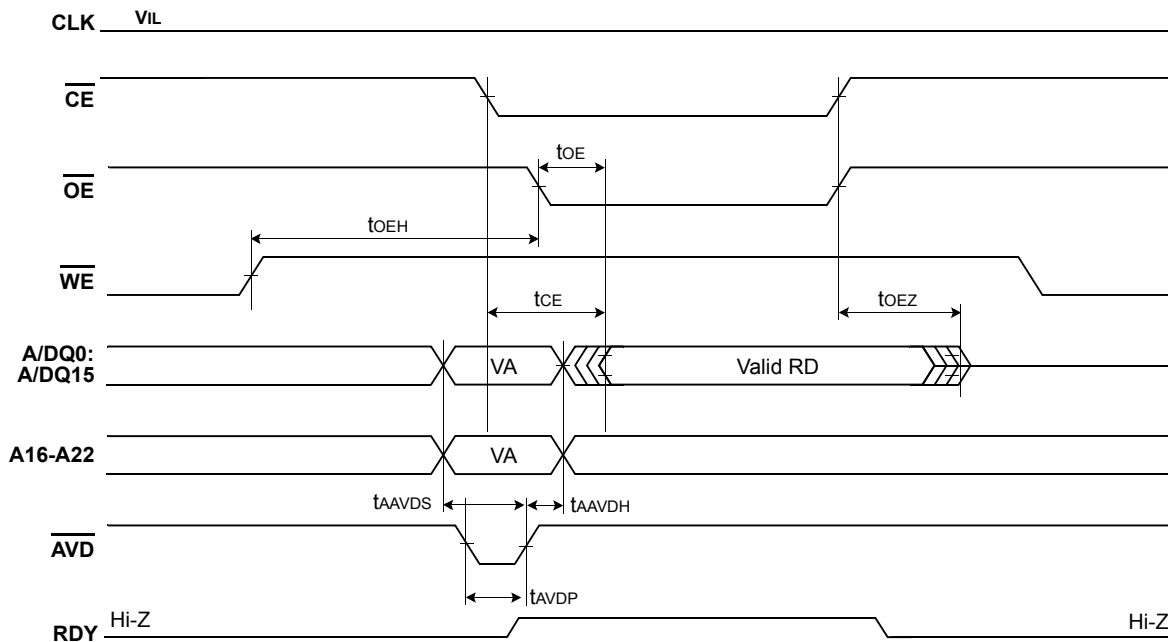
Parameter	Symbol	All Speed option		Unit
		Min	Max	
Access Time from CE Low	t _{CE}	-	70	ns
Asynchronous Access Time	t _{AA}	-	70	ns
AVD Low Time	t _{AVDP}	9	-	ns
Address Setup Time to rising Edge of AVD	t _{AAVDS}	4	-	ns
Address Hold Time from Rising Edge of AVD	t _{AAVDH}	6	-	ns
Output Enable to Output Valid	t _{OE}	-	20	ns
Output Enable Hold Time	t _{OEH}	Read	0	ns
		Toggle and Data Polling	10	ns
Output Disable to High Z ¹⁾	t _{OEZ}	-	9	ns

NOTE:

1) Not 100% tested.

SWITCHING WAVEFORMS

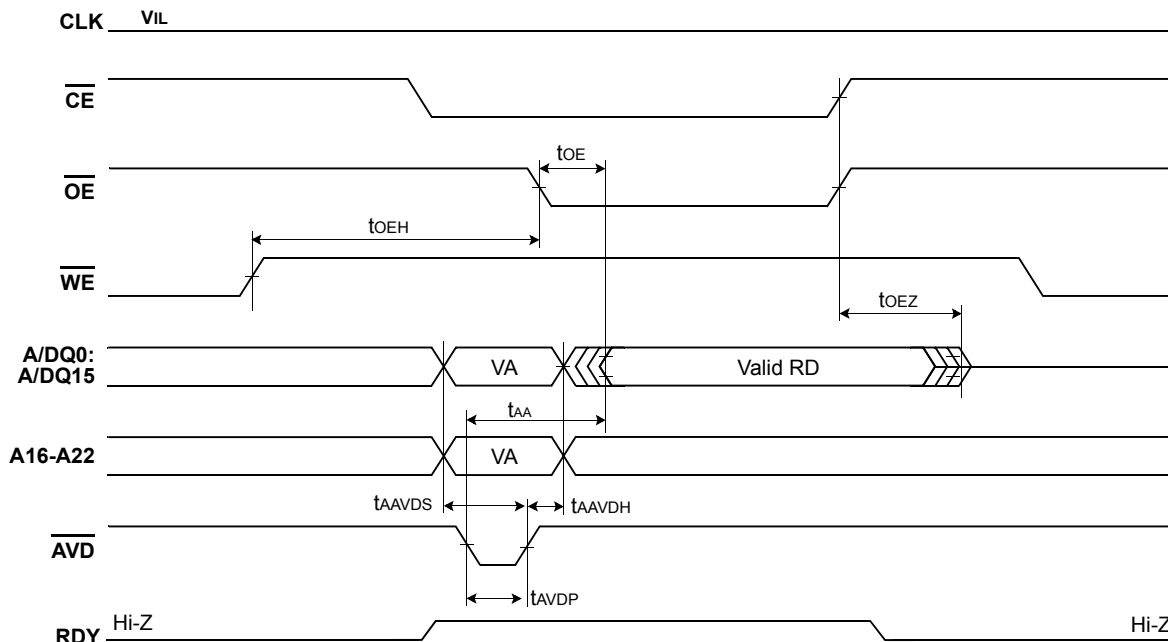
Asynchronous Mode Read (tCE)



NOTE: CLK "HIGH" should be prohibited in asynchronous read mode start (From CE LOW).

Asynchronous Mode Read (t_{AA})

Case 1 : Valid Address Transition occurs before \overline{AVD} is driven to Low



Case 2 : Valid Address Transition occurs after \overline{AVD} is driven to Low

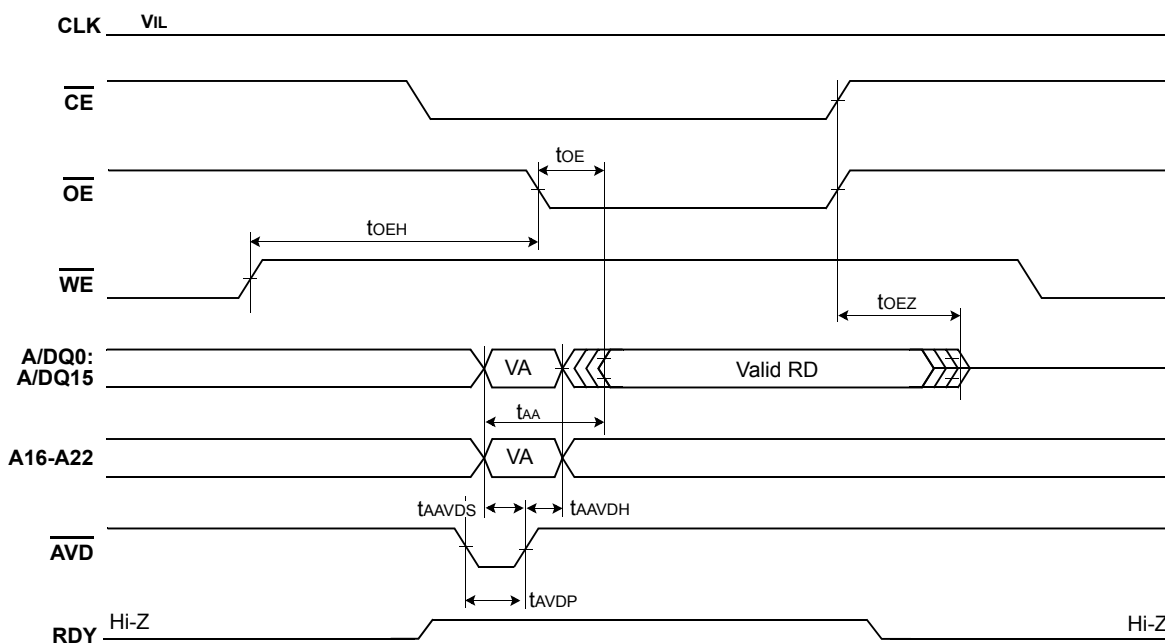


Figure 9. Asynchronous Mode Read

NOTE:

- 1) VA=Valid Read Address, RD=Read Data.
- 2) Asynchronous mode may not support read following four sequential invalid read condition within 200ns.
- 3) CLK "HIGH" should be prohibited in asynchronous read mode start (From CE LOW).

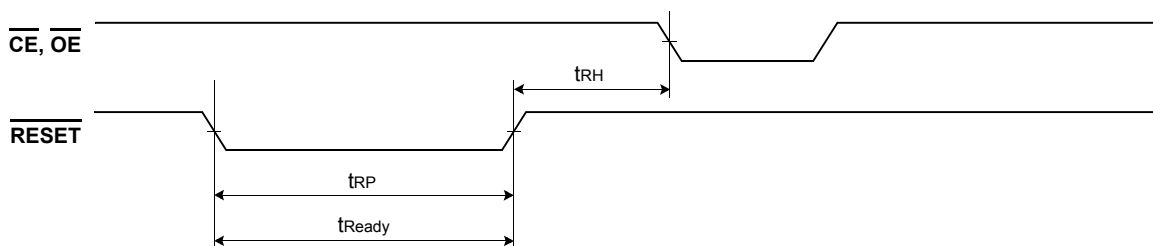
AC CHARACTERISTICS

15.2 Hardware Reset($\overline{\text{RESET}}$)

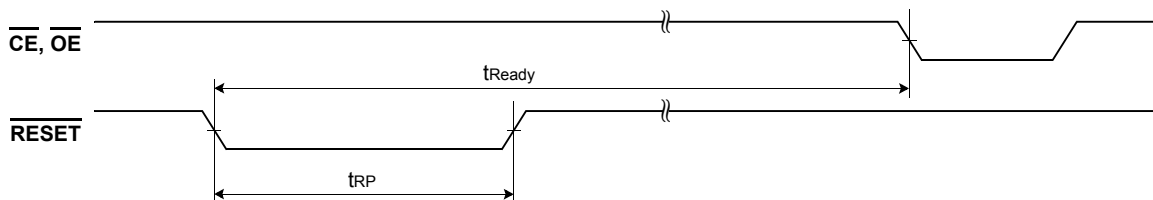
Parameter	Symbol	All Speed Options		Unit
		Min	Max	
$\overline{\text{RESET}}$ Pin Low(During Internal Routines) to Read Mode ¹⁾	t_{Ready}	-	20	μs
$\overline{\text{RESET}}$ Pin Low(NOT During Internal Routines) to Read Mode (NOTE)	t_{Ready}	-	500	ns
$\overline{\text{RESET}}$ Pulse Width*	t_{RP}	200	-	ns
Reset High Time Before Read (NOTE)	t_{RH}	200	-	ns

NOTE:
1) Not 100% tested.

SWITCHING WAVEFORMS



Reset Timings NOT during Internal Routines



Reset Timings during Internal Routines

Figure 10. Reset Timings

AC CHARACTERISTICS

15.3 Erase/Program Operation

Parameter	Symbol	All Speed Option			Unit
		Min	Typ	Max	
$\overline{\text{WE}}$ Cycle Time ¹⁾	t_{WC}	60	-	-	ns
Address Setup Time	t_{AS}	4	-	-	ns
Address Hold Time	t_{AH}	6	-	-	ns
$\overline{\text{AVD}}$ Low Time	t_{AVDP}	9	-	-	ns
Data Setup Time	t_{DS}	30	-	-	ns
Data Hold Time	t_{DH}	0	-	-	ns
Read Recovery Time Before Write	t_{GHWL}	0	-	-	ns
$\overline{\text{CE}}$ Setup Time	t_{CS}	0	-	-	ns
$\overline{\text{CE}}$ Hold Time	t_{CH}	0	-	-	ns
$\overline{\text{WE}}$ Disable to $\overline{\text{AVD}}$ Enable	t_{WEA}	30	-	-	ns
$\overline{\text{WE}}$ Pulse Width	t_{WP}	30	-	-	ns
$\overline{\text{WE}}$ Pulse Width High	t_{WPH}	30	-	-	ns
Latency Between Read and Write Operations	t_{SRW}	0	-	-	ns
Word Programming Operation	t_{PGM}	-	11.5	-	μs
Accelerated Single word Programming Operation	t_{ACCPGM}	-	6.5	-	μs
Accelerated Quad word Programming Operation	$t_{\text{ACCPGM_QUAD}}$	-	6.5	-	μs
Main Block Erase Operation ²⁾	t_{BERS}	-	0.7	-	sec
VPP Rise and Fall Time	t_{VPP}	500	-	-	ns
VPP Setup Time (During Accelerated Programming)	t_{VPS}	1	-	-	μs

NOTE :

- 1) Not 100% tested.
2) Not include the preprogramming time.

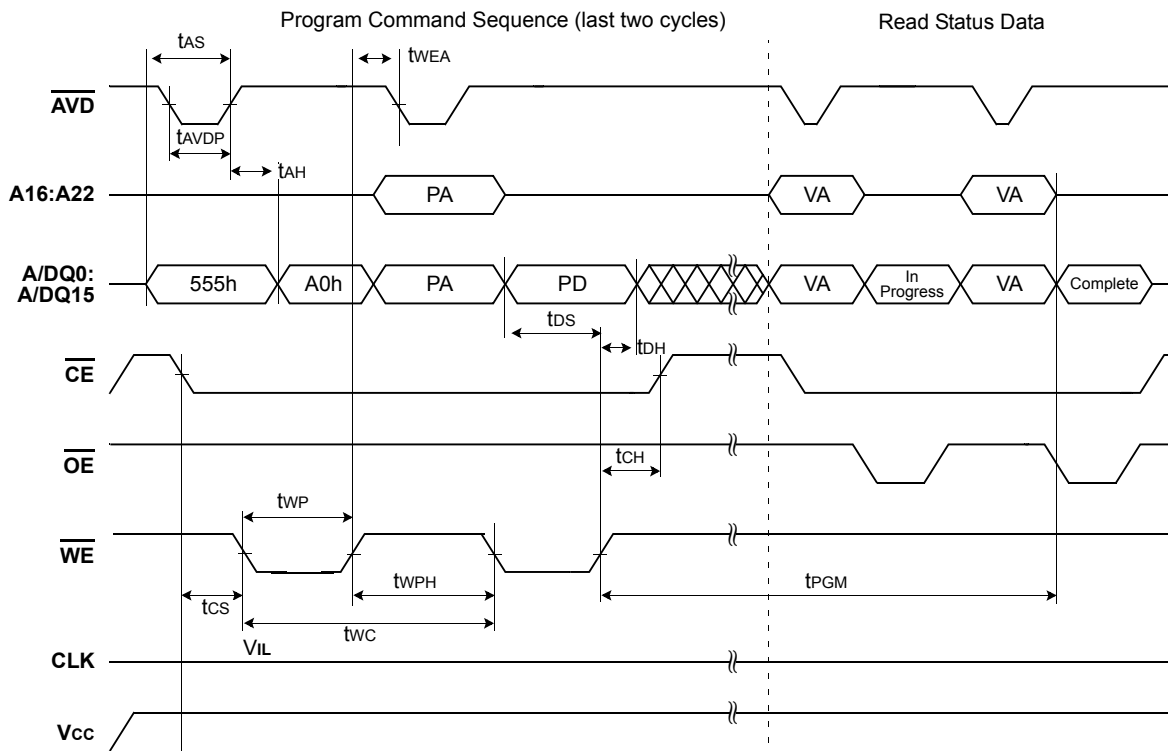
16.0 ERASE/PROGRAM PERFORMANCE

Parameter		Limits			Unit	Comments
		Min.	Typ.	Max.		
Block Erase Time	32 Kword	-	0.7	14	sec	Includes 00h programming prior to erasure
	4 Kword	-	0.2	4		
Chip Erase Time		-	180	-		
Word Programming Time		-	11.5	210	μs	Excludes system level overhead
Accelerated Single Programming Time (@word)		-	6.5	120	μs	
Accelerated Quad Programming Time (@word)		-	1.6	30	μs	
Chip Programming Time		-	97	-	sec	
Accelerated Single word Chip Programming Time		-	55	-	sec	
Accelerated Quad word Chip Programming Time		-	13.5	-	sec	
Erase/Program Endurance ³⁾		100,000	-	-	Cycles	Minimum 100,000 cycles guaranteed in all Bank

NOTE:

- 1) 25°C, VCC = 1.8V, 100,000 cycles, typical pattern.
2) System-level overhead is defined as the time required to execute the two or four bus cycle command necessary to program each word. In the preprogramming step of the Internal Erase Routine, all words are programmed to 00H before erasure.
3) 100K Program/Erase Cycle in all Bank

SWITCHING WAVEFORMS Program Operations

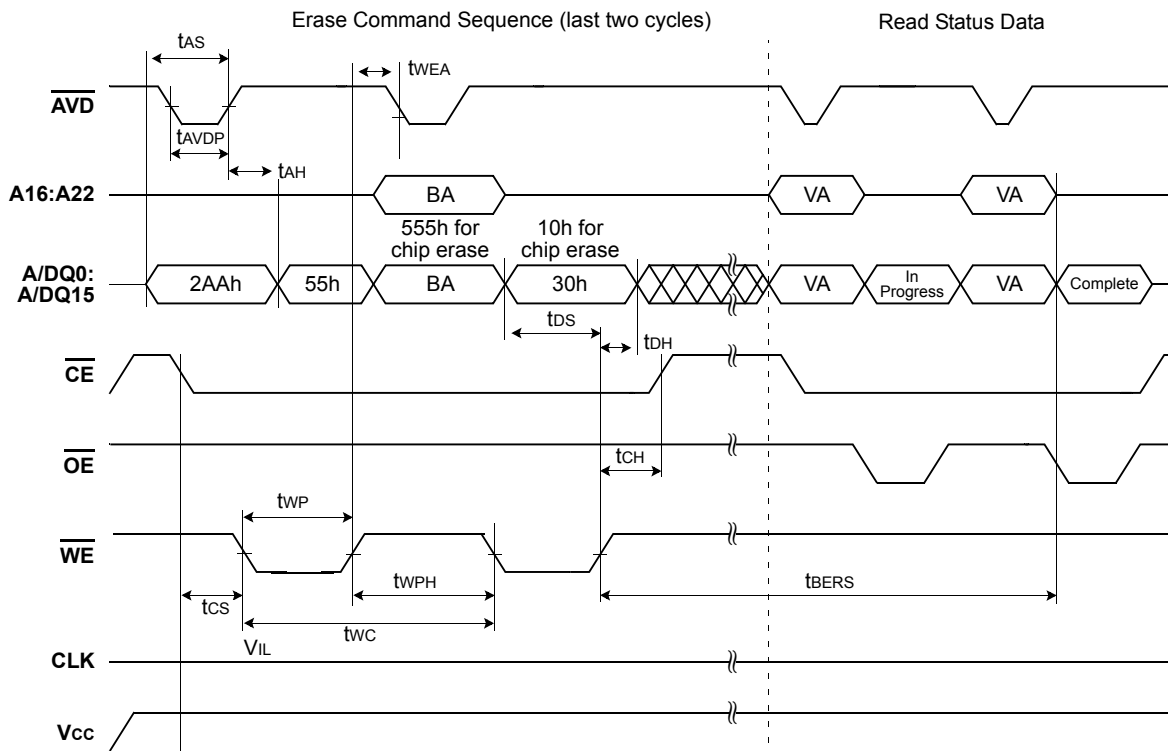


NOTE:

- 1) PA = Program Address, PD = Program Data, VA = Valid Address for reading status bits.
- 2) "In progress" and "complete" refer to status of program operation.
- 3) A16-A22 are don't care during command sequence unlock cycles.
- 4) Status reads in this figure is asynchronous read, but status read in synchronous mode is also supported.

Figure 11. Program Operation Timing

SWITCHING WAVEFORMS
Erase Operation

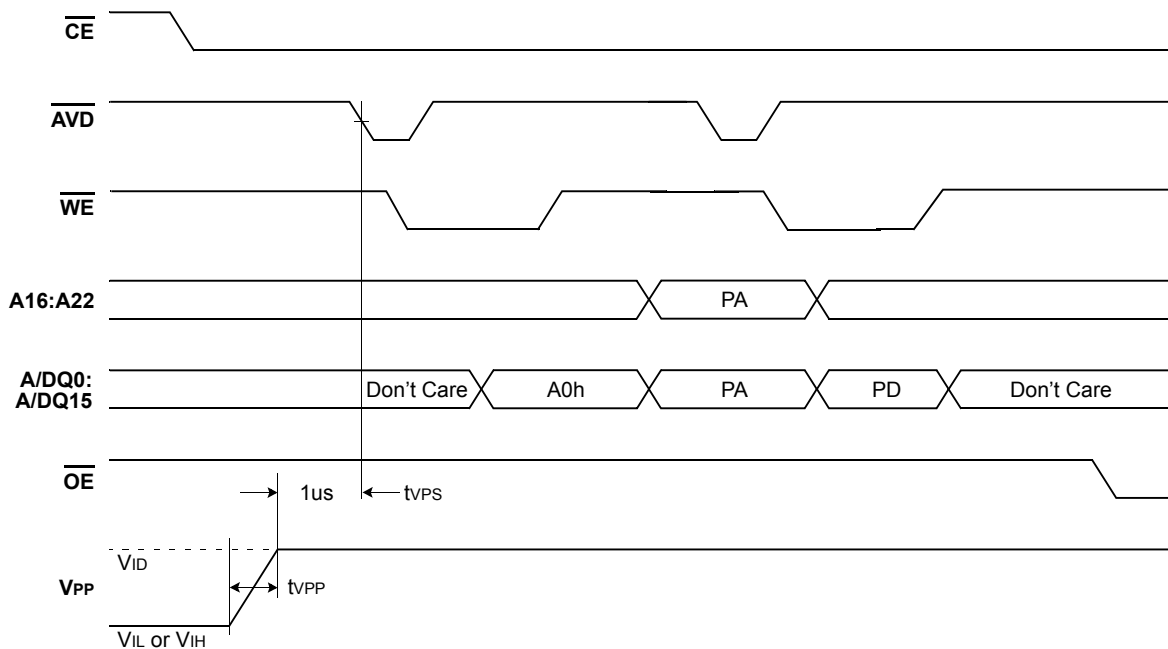


- NOTE :**
- 1) BA is the block address for Block Erase.
 - 2) Address bits A16–A22 are don't cares during unlock cycles in the command sequence.
 - 3) Status reads in this figure is asynchronous read, but status read in synchronous mode is also supported.

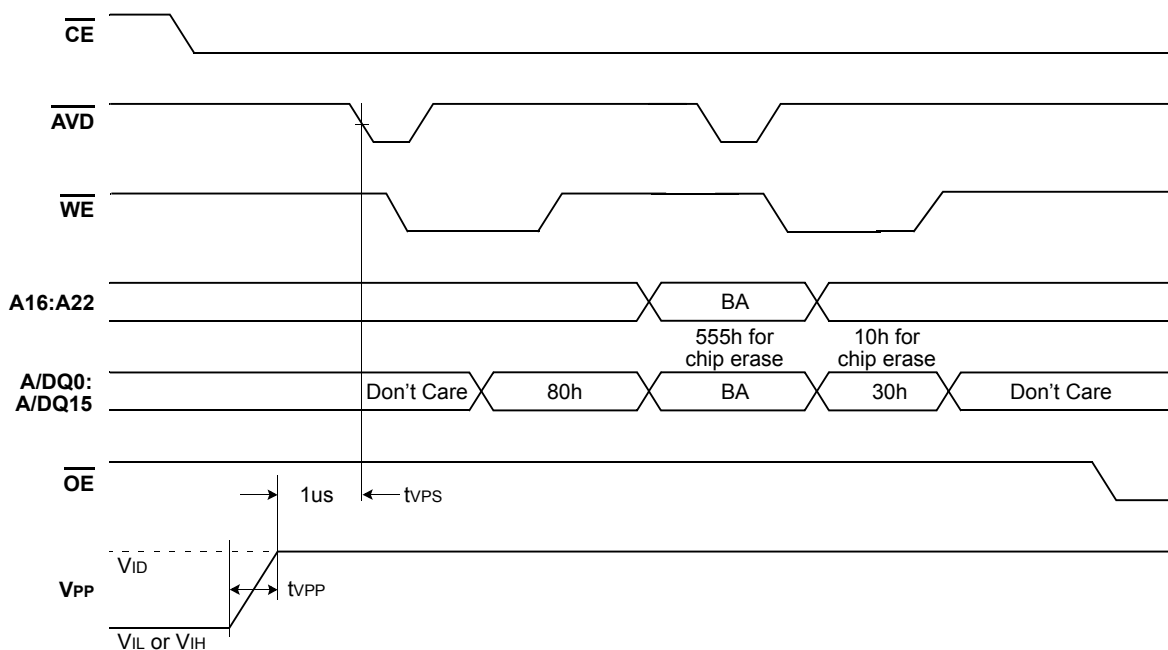
Figure 12. Chlp/Block Erase Operations

SWITCHING WAVEFORMS

Unlock Bypass Program Operations(Accelerated Program)



Unlock Bypass Block Erase Operations

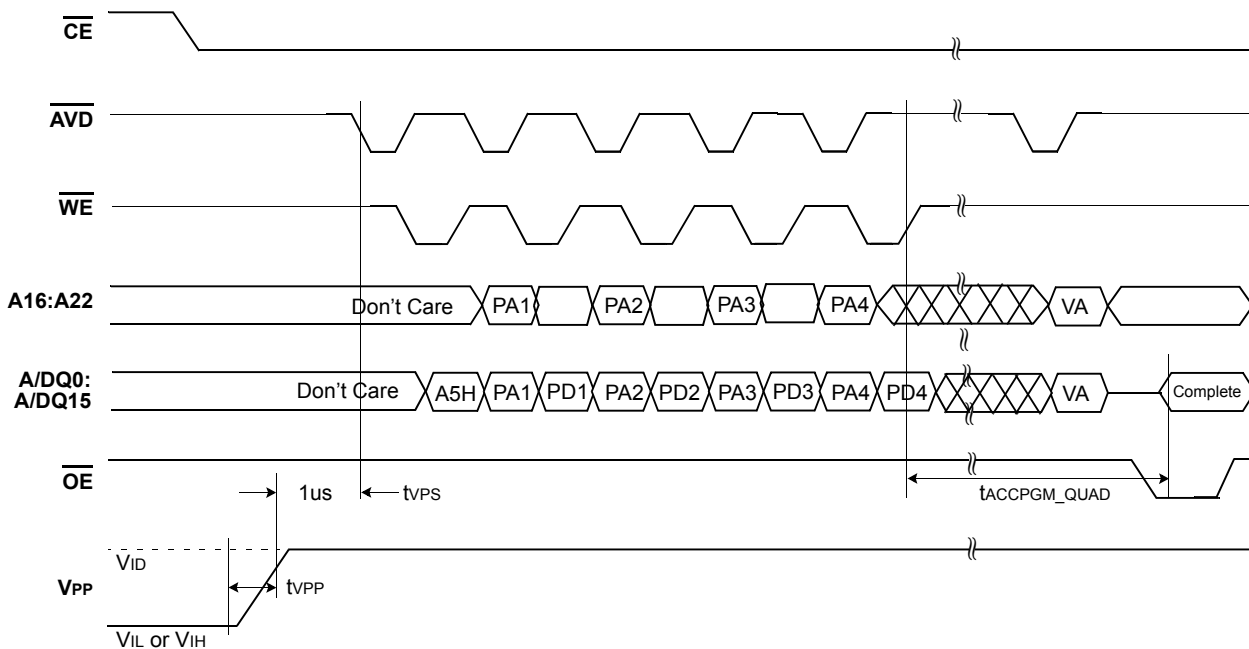


NOTE:

- 1) V_{PP} can be left high for subsequent programming pulses.
- 2) Use setup and hold times from conventional program operations.
- 3) Unlock Bypass Program/Erase commands can be used when the V_{ID} is applied to V_{pp} .

Figure 13. Unlock Bypass Operation Timings

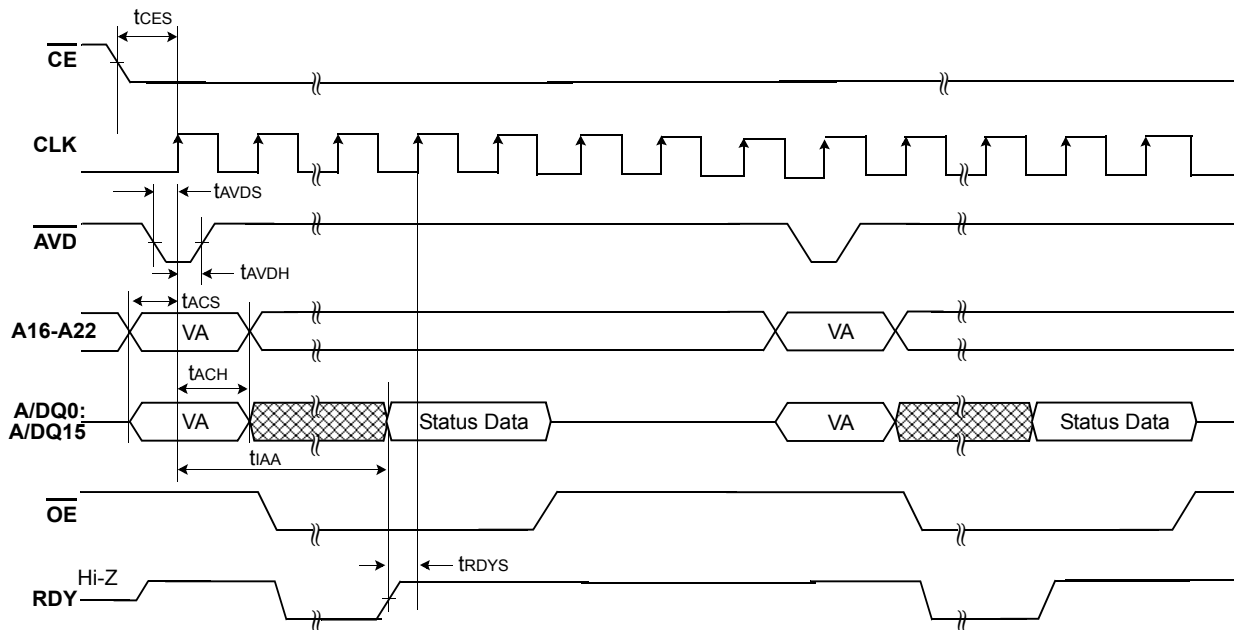
SWITCHING WAVEFORMS
Quad word Accelerated Program



- NOTE:**
- 1) VPP can be left high for subsequent programming pulses.
 - 2) Use setup and hold times from conventional program operations.
 - 3) Quad word Accelerate program commands can be used when the VID is applied to Vpp.

Figure 14. Quad word Accelerated Program Operation Timings

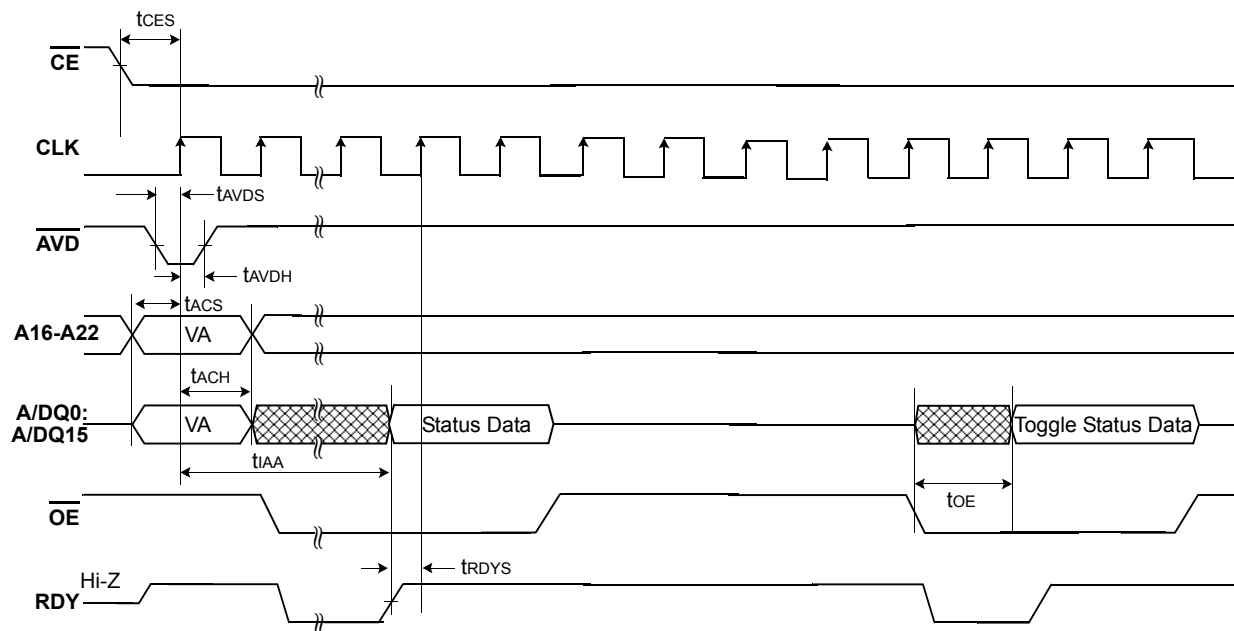
SWITCHING WAVEFORMS
Data Polling Operations



NOTE :
 1) VA = Valid Address. When the Internal Routine operation is complete, and $\overline{\text{Data}}$ Polling will output true data.

Figure 15. Data Polling Timings (During Internal Routine)

Toggle Bit Operations



NOTE :
 1) VA = Valid Address. When the Internal Routine operation is complete, the toggle bits will stop toggling.

Figure 16. Toggle Bit Timings(During Internal Routine)

SWITCHING WAVEFORMS
Read While Write Operations

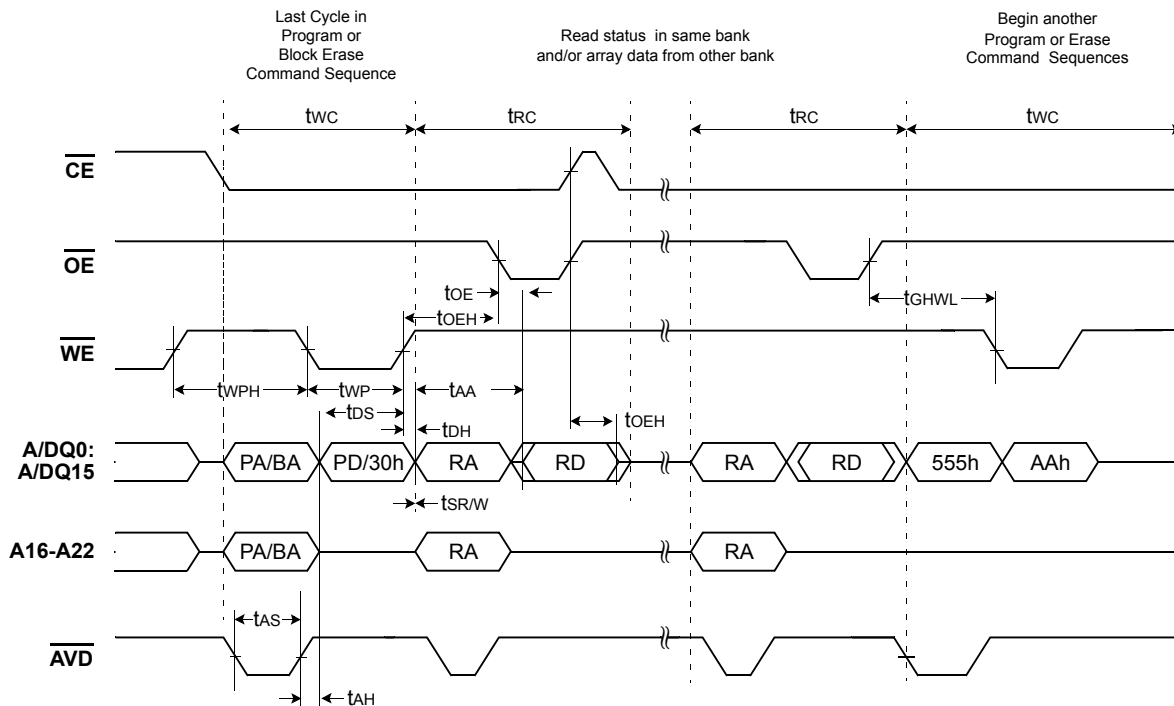


Figure 17. Read While Write Operation

NOTE :
 1) Breakpoints in waveforms indicate that system may alternately read array data from the "non-busy bank" and checking the status of the program or erase operation in the "busy" bank.

17.0 CROSSING OF FIRST WORD BOUNDARY IN BURST READ MODE

The additional clock insertion for word boundary is needed only at the first crossing of word boundary. This means that no additional clock cycle is needed from 2nd word boundary crossing to the end of continuous burst read. Also, the number of additional clock cycle for the first word boundary can varies from zero to seven cycles, and the exact number of additional clock cycle depends on the starting address of burst read.

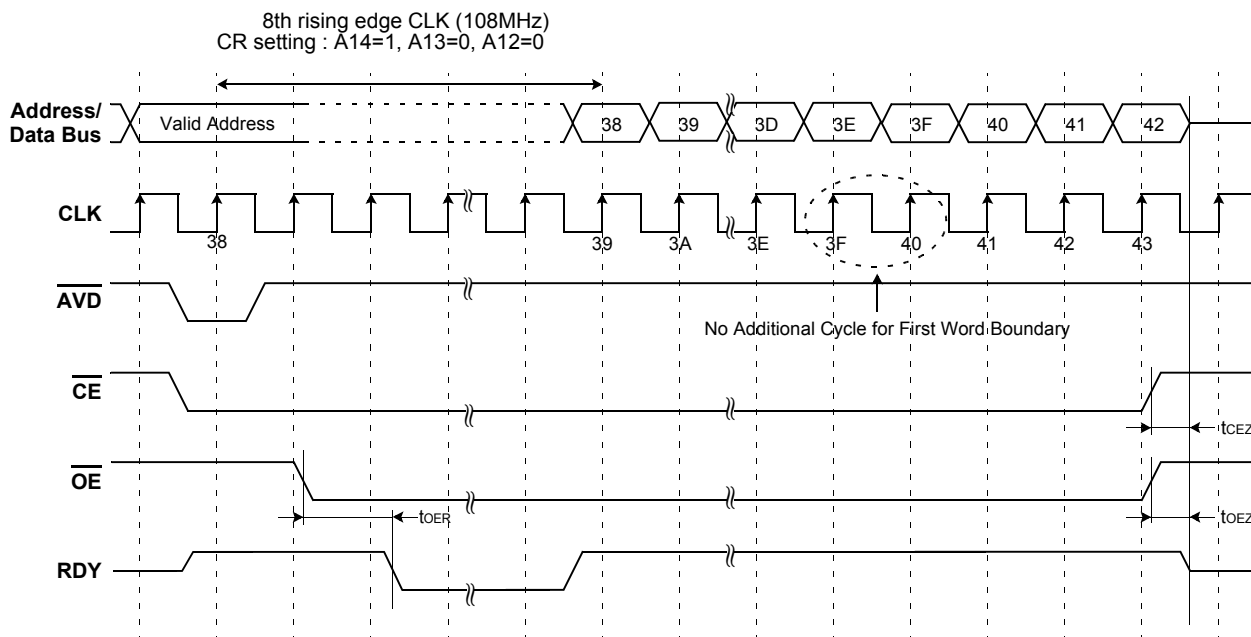
The rule to determine the additional clock cycle is as follows. All addresses can be divided into 8 groups. The applied rule is "The residue obtained when the address is divided by 8" or "three LSB bits of address". Using this rule, all address can be divided by 8 different groups as shown in below table. For simplicity of terminology, "8N" stands for the address of which the residue is "0"(or the three LSB bits are "000") and "8N+1" for the address of which the residue is "1"(or the three LSB bits are "001"), etc.

The additional clock cycles for first word boundary crossing are zero, one, two ... or seven when the burst read start from "8N" address, "8N+1" address, "8N+2" address or "8N+7" address respectively.

Starting Address vs. Additional Clock Cycles for first word boundary

Starting Address Group for Burst Read	The Residue of (Address/8)	LSB Bits of Address	Additional Clock Cycles for First Word Boundary				
			A14~A12 "000" Valid	A14~A12 "001" Valid data : 5th	A14~A12 "010" Valid	A14~A12 "011" Valid data	A14~A12 "100" Valid
8N	0	000	0 cycle	0 cycle	0 cycle	0 cycle	0 cycle
8N+1	1	001	0 cycle	0 cycle	0 cycle	0 cycle	1 cycle
8N+2	2	010	0 cycle	0 cycle	0 cycle	1 cycle	2 cycle
8N+3	3	011	0 cycle	0 cycle	1 cycle	2 cycle	3 cycle
8N+4	4	100	0 cycle	1 cycle	2 cycle	3 cycle	4 cycle
8N+5	5	101	1 cycle	2 cycle	3 cycle	4 cycle	5 cycle
8N+6	6	110	2 cycle	3 cycle	4 cycle	5 cycle	6 cycle
8N+7	7	111	3 cycle	4 cycle	5 cycle	6 cycle	7 cycle

Case 1 : Start from "8N" address group

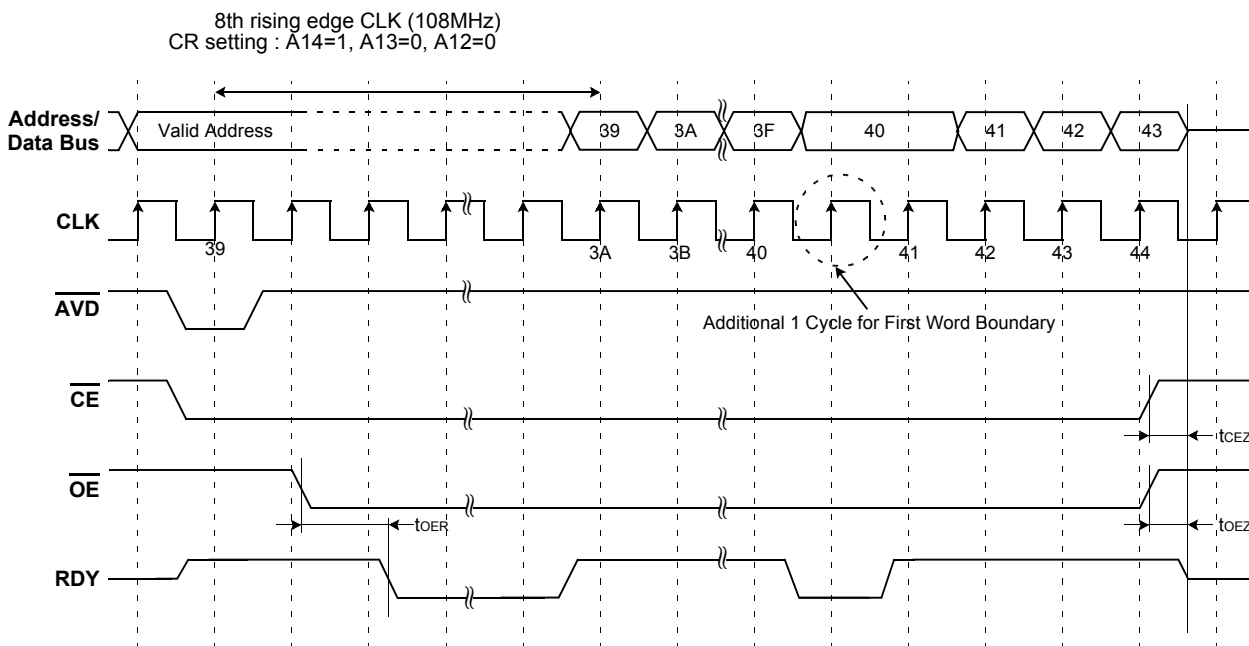


NOTE :

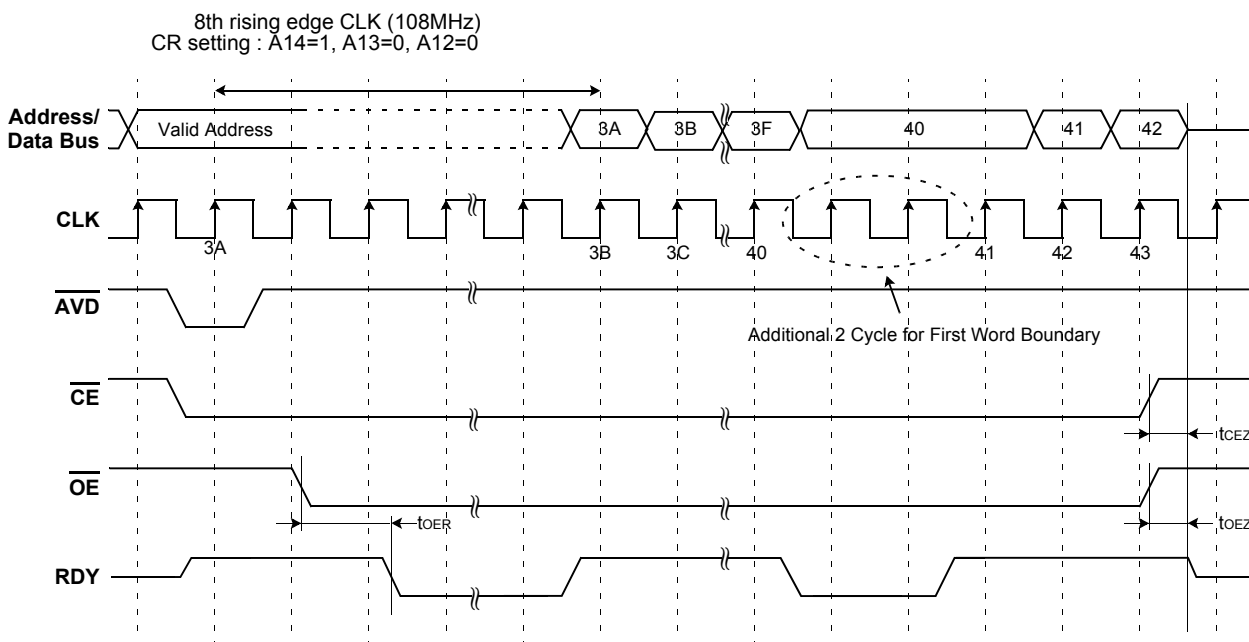
- 1) Address boundary occurs every 16 words beginning at address 00000FH , 00001FH , 00002FH , etc.
- 2) Address 000000H is also a boundary crossing.
- 3) No additional clock cycles are needed except for 1st boundary crossing.

Figure 18. Crossing of first word boundary in burst read mode.

Case2 : Start from "8N+1" address group



Case 3 : Start from "8N+2" address group

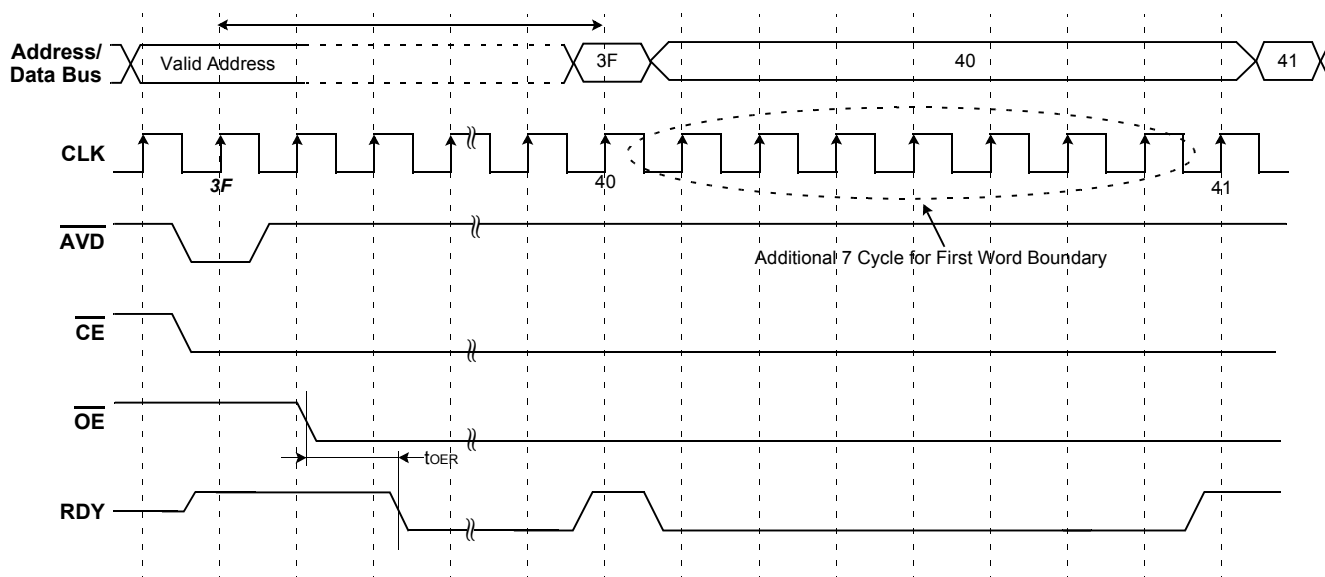


- NOTE :**
- 1) Address boundary occurs every 16 words beginning at address 00000FH , 00001FH , 00002FH , etc.
 - 2) Address 000000H is also a boundary crossing.
 - 3) No additional clock cycles are needed except for 1st boundary crossing.

Figure 19. Crossing of first word boundary in burst read mode.

Case4 : Start from "8N+7" address group

8th rising edge CLK (108MHz)
 CR setting : A14=1, A13=0, A12=0



NOTE :

- 1) Address boundary occurs every 16 words beginning at address 00000FH , 00001FH , 00002FH , etc.
- 2) Address 000000H is also a boundary crossing.
- 3) No additional clock cycles are needed except for 1st boundary crossing.

Figure 20. Crossing of first word boundary in burst read mode.

[Table 14] Top Boot Block Address Table(K8S2815ETE)

Bank	Block	Block Size	(x16) Address Range
Bank 0	BA262	4 Kwords	7FF000h-7FFFFFFh
	BA261	4 Kwords	7FE000h-7FEFFFFh
	BA260	4 Kwords	7FD000h-7FDFFFFh
	BA259	4 Kwords	7FC000h-7FCFFFFh
	BA258	4 Kwords	7FB000h-7FBFFFFh
	BA257	4 Kwords	7FA000h-7FAFFFFh
	BA256	4 Kwords	7F9000h-7F9FFFFh
	BA255	4 Kwords	7F8000h-7F8FFFFh
	BA254	32 Kwords	7F0000h-7F7FFFFh
	BA253	32 Kwords	7E8000h-7E7FFFFh
	BA252	32 Kwords	7E0000h-7E7FFFFh
	BA251	32 Kwords	7D8000h-7D7FFFFh
	BA250	32 Kwords	7D0000h-7D7FFFFh
	BA249	32 Kwords	7C8000h-7C7FFFFh
	BA248	32 Kwords	7C0000h-7C7FFFFh
	BA247	32 Kwords	7B8000h-7B7FFFFh
	BA246	32 Kwords	7B0000h-7B7FFFFh
	BA245	32 Kwords	7A8000h-7A7FFFFh
	BA244	32 Kwords	7A0000h-7A7FFFFh
	Bank 1	BA243	32 Kwords
BA242		32 Kwords	790000h-797FFFFh
BA241		32 Kwords	788000h-787FFFFh
BA240		32 Kwords	780000h-787FFFFh
BA239		32 Kwords	778000h-777FFFFh
BA238		32 Kwords	770000h-777FFFFh
BA237		32 Kwords	768000h-767FFFFh
BA236		32 Kwords	760000h-767FFFFh
BA235		32 Kwords	758000h-757FFFFh
BA234		32 Kwords	750000h-757FFFFh
BA233		32 Kwords	748000h-747FFFFh
BA232		32 Kwords	740000h-747FFFFh
BA231		32 Kwords	738000h-737FFFFh
BA230		32 Kwords	730000h-737FFFFh
BA229		32 Kwords	728000h-727FFFFh
BA228		32 Kwords	720000h-727FFFFh
Bank 2	BA227	32 Kwords	718000h-717FFFFh
	BA226	32 Kwords	710000h-717FFFFh
	BA225	32 Kwords	708000h-707FFFFh
	BA224	32 kwords	700000h-707FFFFh
	BA223	32 Kwords	6F8000h-6FFFFFFh
Bank 2	BA222	32 Kwords	6F0000h-6F7FFFFh
	BA221	32 Kwords	6E8000h-6E7FFFFh
	BA220	32 Kwords	6E0000h-6E7FFFFh
	BA219	32 Kwords	6D8000h-6D7FFFFh

Bank	Block	Block Size	(x16) Address Range
Bank 2	BA218	32 Kwords	6D0000h-6D7FFFh
	BA217	32 Kwords	6C8000h-6CFFFFh
	BA216	32 Kwords	6C0000h-6C7FFFh
	BA215	32 Kwords	6B8000h-6BFFFFh
	BA214	32 Kwords	6B0000h-6B7FFFh
	BA213	32 Kwords	6A8000h-6AFFFFh
	BA212	32 Kwords	6A0000h-6A7FFFh
	BA211	32 Kwords	698000h-69FFFFh
	BA210	32 Kwords	690000h-697FFFh
	BA209	32 Kwords	688000h-68FFFFh
	BA208	32 Kwords	680000h-687FFFh
Bank 3	BA207	32 Kwords	678000h-67FFFFh
	BA206	32 Kwords	670000h-677FFFh
	BA205	32 Kwords	668000h-66FFFFh
	BA204	32 Kwords	660000h-667FFFh
	BA203	32 Kwords	658000h-65FFFFh
	BA202	32 Kwords	650000h-657FFFh
	BA201	32 Kwords	648000h-64FFFFh
	BA200	32 Kwords	640000h-647FFFh
	BA199	32 Kwords	638000h-63FFFFh
	BA198	32 Kwords	630000h-637FFFh
	BA197	32 Kwords	628000h-62FFFFh
	BA196	32 Kwords	620000h-627FFFh
	BA195	32 Kwords	618000h-61FFFFh
	BA194	32 Kwords	610000h-617FFFh
	BA193	32 Kwords	608000h-60FFFFh
Bank 4	BA192	32 Kwords	600000h-607FFFh
	BA191	32 Kwords	5F8000h-5FFFFFh
	BA190	32 Kwords	5F0000h-5F7FFFh
	BA189	32 Kwords	5E8000h-5EFFFFh
	BA188	32 Kwords	5E0000h-5E7FFFh
	BA187	32 Kwords	5D8000h-5DFFFFh
	BA186	32 Kwords	5D0000h-5D7FFFh
	BA185	32 Kwords	5C8000h-5CFFFFh
	BA184	32 Kwords	5C0000h-5C7FFFh
	BA183	32 Kwords	5B8000h-5BFFFFh
	BA182	32 Kwords	5B0000h-5B7FFFh
	BA181	32 Kwords	5A8000h-5AFFFFh
	BA180	32 Kwords	5A0000h-5A7FFFh
	BA179	32 Kwords	598000h-59FFFFh
	BA178	32 Kwords	590000h-597FFFh
Bank 5	BA177	32 Kwords	588000h-58FFFFh
	BA176	32 Kwords	580000h-587FFFh
	BA175	32 Kwords	578000h-57FFFFh

Bank	Block	Block Size	(x16) Address Range
Bank 5	BA174	32 Kwords	570000h-577FFFh
	BA173	32 Kwords	568000h-56FFFFh
	BA172	32 Kwords	560000h-567FFFh
	BA171	32 Kwords	558000h-55FFFFh
	BA170	32 Kwords	550000h-557FFFh
	BA169	32 Kwords	548000h-54FFFFh
	BA168	32 Kwords	540000h-547FFFh
	BA167	32 Kwords	538000h-53FFFFh
	BA166	32 Kwords	530000h-537FFFh
	BA165	32 Kwords	528000h-52FFFFh
	BA164	32 Kwords	520000h-527FFFh
	BA163	32 Kwords	518000h-51FFFFh
	BA162	32 Kwords	510000h-517FFFh
	BA161	32 Kwords	508000h-50FFFFh
BA160	32 Kwords	500000h-507FFFh	
Bank 6	BA159	32 Kwords	4F8000h-4FFFFFh
	BA158	32 Kwords	4F0000h-4F7FFFh
	BA157	32 Kwords	4E8000h-4EFFFFh
	BA156	32 Kwords	4E0000h-4E7FFFh
	BA155	32 Kwords	4D8000h-4DFFFFh
	BA154	32 Kwords	4D0000h-4D7FFFh
	BA153	32 Kwords	4C8000h-4CFFFFh
	BA152	32 Kwords	4C0000h-4C7FFFh
	BA151	32 Kwords	4B8000h-4BFFFFh
	BA150	32 Kwords	4B0000h-4B7FFFh
	BA149	32 Kwords	4A8000h-4AFFFFh
	BA148	32 Kwords	4A0000h-4A7FFFh
	BA147	32 Kwords	498000h-49FFFFh
	BA146	32 Kwords	490000h-497FFFh
BA145	32 Kwords	488000h-48FFFFh	
BA144	32 Kwords	480000h-487FFFh	
Bank 7	BA143	32 Kwords	478000h-47FFFFh
	BA142	32 Kwords	470000h-477FFFh
	BA141	32 Kwords	468000h-46FFFFh
	BA140	32 Kwords	460000h-467FFFh
	BA139	32 Kwords	458000h-45FFFFh
	BA138	32 Kwords	450000h-457FFFh
	BA137	32 Kwords	448000h-44FFFFh
	BA136	32 Kwords	440000h-447FFFh
	BA135	32 Kwords	438000h-43FFFFh
	BA134	32 Kwords	430000h-437FFFh
	BA133	32 Kwords	428000h-42FFFFh
	BA132	32 Kwords	420000h-427FFFh
BA131	32 Kwords	418000h-41FFFFh	
BA130	32 Kwords	410000h-417FFFh	

Bank	Block	Block Size	(x16) Address Range
Bank 7	BA129	32 Kwords	408000h-40FFFFh
	BA128	32 Kwords	400000h-407FFFh
Bank 8	BA127	32 Kwords	3F8000h-3FFFFFFh
	BA126	32 Kwords	3F0000h-3F7FFFh
	BA125	32 Kwords	3E8000h-3EFFFFh
	BA124	32 Kwords	3E0000h-3E7FFFh
	BA123	32 Kwords	3D8000h-3DFFFFh
	BA122	32 Kwords	3D0000h-3D7FFFh
	BA121	32 Kwords	3C8000h-3CFFFFh
	BA120	32 Kwords	3C0000h-3C7FFFh
	BA119	32 Kwords	3B8000h-3BFFFFh
	BA118	32 Kwords	3B0000h-3B7FFFh
	BA117	32 Kwords	3A8000h-3AFFFFh
	BA116	32 Kwords	3A0000h-3A7FFFh
	BA115	32 Kwords	398000h-39FFFFh
	BA114	32 Kwords	390000h-397FFFh
	BA113	32 Kwords	388000h-38FFFFh
	BA112	32 Kwords	380000h-387FFFh
Bank 9	BA111	32 Kwords	378000h-37FFFFh
	BA110	32 Kwords	370000h-377FFFh
	BA109	32 Kwords	368000h-36FFFFh
	BA108	32 Kwords	360000h-367FFFh
	BA107	32 Kwords	358000h-35FFFFh
	BA106	32 Kwords	350000h-357FFFh
	BA105	32 Kwords	348000h-34FFFFh
	BA104	32 Kwords	340000h-347FFFh
	BA103	32 Kwords	338000h-33FFFFh
	BA102	32 Kwords	330000h-337FFFh
	BA101	32 Kwords	328000h-32FFFFh
	BA100	32 Kwords	320000h-327FFFh
	BA99	32 Kwords	318000h-31FFFFh
Bank 10	BA98	32 Kwords	310000h-317FFFh
	BA97	32 Kwords	308000h-30FFFFh
	BA96	32 Kwords	300000h-307FFFh
	BA95	32 Kwords	2F8000h-2FFFFFFh
	BA94	32 Kwords	2F0000h-2F7FFFh
	BA93	32 Kwords	2E8000h-2EFFFFh
	BA92	32 Kwords	2E0000h-2E7FFFh
	BA91	32 Kwords	2D8000h-2DFFFFh
	BA90	32 Kwords	2D0000h-2D7FFFh
	BA89	32 Kwords	2C8000h-2CFFFFh
BA88	32 Kwords	2C0000h-2C7FFFh	
BA87	32 Kwords	2B8000h-2BFFFFh	
BA86	32 Kwords	2B0000h-2B7FFFh	
BA85	32 Kwords	2A8000h-2AFFFFh	

Bank	Block	Block Size	(x16) Address Range
Bank 10	BA84	32 Kwords	2A0000h-2A7FFFh
	BA83	32 Kwords	298000h-29FFFFh
	BA82	32 Kwords	290000h-297FFFh
	BA81	32 Kwords	288000h-28FFFFh
	BA80	32 Kwords	280000h-287FFFh
Bank 11	BA79	32 Kwords	278000h-27FFFFh
	BA78	32 Kwords	270000h-277FFFh
	BA77	32 Kwords	268000h-26FFFFh
	BA76	32 Kwords	260000h-267FFFh
	BA75	32 Kwords	258000h-25FFFFh
	BA74	32 Kwords	250000h-257FFFh
	BA73	32 Kwords	248000h-24FFFFh
	BA72	32 Kwords	240000h-247FFFh
	BA71	32 Kwords	238000h-23FFFFh
	BA70	32 Kwords	230000h-237FFFh
	BA69	32 Kwords	228000h-22FFFFh
	BA68	32 Kwords	220000h-227FFFh
	BA67	32 Kwords	218000h-21FFFFh
	BA66	32 Kwords	210000h-217FFFh
	BA65	32 Kwords	208000h-20FFFFh
BA64	32 Kwords	200000h-207FFFh	
Bank 12	BA63	32 Kwords	1F8000h-1FFFFFh
	BA62	32 Kwords	1F0000h-1F7FFFh
	BA61	32 Kwords	1E8000h-1EFFFFh
	BA60	32 Kwords	1E0000h-1E7FFFh
	BA59	32 Kwords	1D8000h-1DFFFFh
	BA58	32 Kwords	1D0000h-1D7FFFh
	BA57	32 Kwords	1C8000h-1CFFFFh
	BA56	32 Kwords	1C0000h-1C7FFFh
	BA55	32 Kwords	1B8000h-1BFFFFh
	BA54	32 Kwords	1B0000h-1B7FFFh
	BA53	32 Kwords	1A8000h-1AFFFFh
	BA52	32 Kwords	1A0000h-1A7FFFh
	BA51	32 Kwords	198000h-19FFFFh
	BA50	32 Kwords	190000h-197FFFh
	BA49	32 Kwords	188000h-18FFFFh
BA48	32 Kwords	180000h-187FFFh	
Bank 13	BA47	32 Kwords	178000h-17FFFFh
	BA46	32 Kwords	170000h-177FFFh
	BA45	32 Kwords	168000h-16FFFFh
	BA44	32 Kwords	160000h-167FFFh
	BA43	32 Kwords	158000h-15FFFFh
	BA42	32 Kwords	150000h-157FFFh
	BA41	32 Kwords	148000h-14FFFFh
BA40	32 Kwords	140000h-147FFFh	

Bank	Block	Block Size	(x16) Address Range
Bank 13	BA39	32 Kwords	138000h-13FFFFh
	BA38	32 Kwords	130000h-137FFFh
	BA37	32 Kwords	128000h-12FFFFh
	BA36	32 Kwords	120000h-127FFFh
	BA35	32 Kwords	118000h-11FFFFh
	BA34	32 Kwords	110000h-117FFFh
	BA33	32 Kwords	108000h-10FFFFh
	BA32	32 Kwords	100000h-107FFFh
Bank 14	BA31	32 Kwords	0F8000h-0FFFFFh
	BA30	32 Kwords	0F0000h-0F7FFFh
	BA29	32 Kwords	0E8000h-0EFFFFh
	BA28	32 Kwords	0E0000h-0E7FFFh
	BA27	32 Kwords	0D8000h-0DFFFFh
	BA26	32 Kwords	0D0000h-0D7FFFh
	BA25	32 Kwords	0C8000h-0CFFFFh
	BA24	32 Kwords	0C0000h-0C7FFFh
	BA23	32 Kwords	0B8000h-0BFFFFh
	BA22	32 Kwords	0B0000h-0B7FFFh
	BA21	32 Kwords	0A8000h-0AFFFFh
	BA20	32 Kwords	0A0000h-0A7FFFh
	BA19	32 Kwords	098000h-09FFFFh
	BA18	32 Kwords	090000h-097FFFh
	BA17	32 Kwords	088000h-08FFFFh
	BA16	32 Kwords	080000h-087FFFh
Bank 15	BA15	32 Kwords	078000h-07FFFFh
	BA14	32 Kwords	070000h-077FFFh
	BA13	32 Kwords	068000h-06FFFFh
	BA12	32 Kwords	060000h-067FFFh
	BA11	32 Kwords	058000h-05FFFFh
	BA10	32 Kwords	050000h-057FFFh
	BA9	32 Kwords	048000h-04FFFFh
	BA8	32 Kwords	040000h-047FFFh
	BA7	32 Kwords	038000h-03FFFFh
	BA6	32 Kwords	030000h-037FFFh
	BA5	32 Kwords	028000h-02FFFFh
	BA4	32 Kwords	020000h-027FFFh
	BA3	32 Kwords	018000h-01FFFFh
	BA2	32 Kwords	010000h-017FFFh
BA1	32 Kwords	008000h-00FFFFh	
BA0	32 Kwords	000000h-007FFFh	

[Table 15] Top Boot Block OTP Addresses Table

OTP	Block Address A22 ~ A8	Block Size	(x16) Address Range
	7FFFh	256words	7FFF00h-7FFFFFh

After entering OTP block, any issued addresses should be in the range of OTP block address

[Table 16] Bottom Boot Block Address (K8S2815EBE)

Bank	Block	Block Size	(x16) Address Range
Bank 15	BA262	32 Kwords	7F8000h-7FFFFFFh
	BA261	32 Kwords	7F0000h-7F7FFFh
	BA260	32 Kwords	7E8000h-7EFFFFh
	BA259	32 Kwords	7E0000h-7E7FFFh
	BA258	32 Kwords	7D8000h-7DFFFFh
	BA257	32 Kwords	7D0000h-7D7FFFh
	BA256	32 Kwords	7C8000h-7CFFFFh
	BA255	32 Kwords	7C0000h-7C7FFFh
	BA254	32 Kwords	7B8000h-7BFFFFh
	BA253	32 Kwords	7B0000h-7B7FFFh
	BA252	32 Kwords	7A8000h-7AFFFFh
	BA251	32 Kwords	7A0000h-7A7FFFh
	BA250	32 Kwords	798000h-79FFFFh
	BA249	32 Kwords	790000h-797FFFh
	BA248	32 Kwords	788000h-78FFFFh
Bank 14	BA247	32 Kwords	780000h-787FFFh
	BA246	32 Kwords	778000h-77FFFFh
	BA245	32 Kwords	770000h-777FFFh
	BA244	32 Kwords	768000h-76FFFFh
	BA243	32 Kwords	760000h-767FFFh
	BA242	32 Kwords	758000h-75FFFFh
	BA241	32 Kwords	750000h-757FFFh
	BA240	32 Kwords	748000h-74FFFFh
	BA239	32 Kwords	740000h-747FFFh
	BA238	32 Kwords	738000h-73FFFFh
	BA237	32 Kwords	730000h-737FFFh
	BA236	32 Kwords	728000h-72FFFFh
	BA235	32 Kwords	720000h-727FFFh
	BA234	32 Kwords	718000h-71FFFFh
	BA233	32 Kwords	710000h-717FFFh
Bank 13	BA232	32 Kwords	708000h-70FFFFh
	BA231	32 kwords	700000h-707FFFh
	BA230	32 Kwords	6F8000h-6FFFFFFh
	BA229	32 Kwords	6F0000h-6F7FFFh
	BA228	32 Kwords	6E8000h-6EFFFFh
	BA227	32 Kwords	6E0000h-6E7FFFh
	BA226	32 Kwords	6D8000h-6DFFFFh

Bank	Block	Block Size	(x16) Address Range
Bank 13	BA225	32 Kwords	6D0000h-6D7FFFh
	BA224	32 Kwords	6C8000h-6CFFFFh
	BA223	32 Kwords	6C0000h-6C7FFFh
	BA222	32 Kwords	6B8000h-6BFFFFh
	BA221	32 Kwords	6B0000h-6B7FFFh
	BA220	32 Kwords	6A8000h-6AFFFFh
	BA219	32 Kwords	6A0000h-6A7FFFh
	BA218	32 Kwords	698000h-69FFFFh
	BA217	32 Kwords	690000h-697FFFh
	BA216	32 Kwords	688000h-68FFFFh
Bank 12	BA214	32 Kwords	678000h-67FFFFh
	BA213	32 Kwords	670000h-677FFFh
	BA212	32 Kwords	668000h-66FFFFh
	BA211	32 Kwords	660000h-667FFFh
	BA210	32 Kwords	658000h-65FFFFh
	BA209	32 Kwords	650000h-657FFFh
	BA208	32 Kwords	648000h-64FFFFh
	BA207	32 Kwords	640000h-647FFFh
	BA206	32 Kwords	638000h-63FFFFh
	BA205	32 Kwords	630000h-637FFFh
	BA204	32 Kwords	628000h-62FFFFh
	BA203	32 Kwords	620000h-627FFFh
	BA202	32 Kwords	618000h-61FFFFh
	BA201	32 Kwords	610000h-617FFFh
Bank 11	BA200	32 Kwords	608000h-60FFFFh
	BA199	32 Kwords	600000h-607FFFh
	BA198	32 Kwords	5F8000h-5FFFFFh
	BA197	32 Kwords	5F0000h-5F7FFFh
	BA196	32 Kwords	5E8000h-5EFFFFh
	BA195	32 Kwords	5E0000h-5E7FFFh
	BA194	32 Kwords	5D8000h-5DFFFFh
	BA193	32 Kwords	5D0000h-5D7FFFh
	BA192	32 Kwords	5C8000h-5CFFFFh
	BA191	32 Kwords	5C0000h-5C7FFFh
	BA190	32 Kwords	5B8000h-5BFFFFh
	BA189	32 Kwords	5B0000h-5B7FFFh
	BA188	32 Kwords	5A8000h-5AFFFFh
	BA187	32 Kwords	5A0000h-5A7FFFh
BA186	32 Kwords	598000h-59FFFFh	
BA185	32 Kwords	590000h-597FFFh	
BA184	32 Kwords	588000h-58FFFFh	
BA183	32 Kwords	580000h-587FFFh	

Bank	Block	Block Size	(x16) Address Range
Bank 10	BA182	32 Kwords	578000h-57FFFFh
	BA181	32 Kwords	570000h-577FFFh
	BA180	32 Kwords	568000h-56FFFFh
	BA179	32 Kwords	560000h-567FFFh
	BA178	32 Kwords	558000h-55FFFFh
	BA177	32 Kwords	550000h-557FFFh
	BA176	32 Kwords	548000h-54FFFFh
	BA175	32 Kwords	540000h-547FFFh
	BA174	32 Kwords	538000h-53FFFFh
	BA173	32 Kwords	530000h-537FFFh
	BA172	32 Kwords	528000h-52FFFFh
	BA171	32 Kwords	520000h-527FFFh
	BA170	32 Kwords	518000h-51FFFFh
	BA169	32 Kwords	510000h-517FFFh
	BA168	32 Kwords	508000h-50FFFFh
Bank 9	BA167	32 Kwords	500000h-507FFFh
	BA166	32 Kwords	4F8000h-4FFFFFh
	BA165	32 Kwords	4F0000h-4F7FFFh
	BA164	32 Kwords	4E8000h-4EFFFFh
	BA163	32 Kwords	4E0000h-4E7FFFh
	BA162	32 Kwords	4D8000h-4DFFFFh
	BA161	32 Kwords	4D0000h-4D7FFFh
	BA160	32 Kwords	4C8000h-4CFFFFh
	BA159	32 Kwords	4C0000h-4C7FFFh
	BA158	32 Kwords	4B8000h-4BFFFFh
	BA157	32 Kwords	4B0000h-4B7FFFh
	BA156	32 Kwords	4A8000h-4AFFFFh
	BA155	32 Kwords	4A0000h-4A7FFFh
	BA154	32 Kwords	498000h-49FFFFh
	BA153	32 Kwords	490000h-497FFFh
Bank 8	BA152	32 Kwords	488000h-48FFFFh
	BA151	32 Kwords	480000h-487FFFh
	BA150	32 Kwords	478000h-47FFFFh
	BA149	32 Kwords	470000h-477FFFh
	BA148	32 Kwords	468000h-46FFFFh
	BA147	32 Kwords	460000h-467FFFh
	BA146	32 Kwords	458000h-45FFFFh
	BA145	32 Kwords	450000h-457FFFh
	BA144	32 Kwords	448000h-44FFFFh
	BA143	32 Kwords	440000h-447FFFh
	BA142	32 Kwords	438000h-43FFFFh
	BA141	32 Kwords	430000h-437FFFh
	BA140	32 Kwords	428000h-42FFFFh
	BA139	32 Kwords	420000h-427FFFh
	BA138	32 Kwords	418000h-41FFFFh
BA137	32 Kwords	410000h-417FFFh	

Bank	Block	Block Size	(x16) Address Range
Bank 8	BA136	32 Kwords	408000h-40FFFFh
	BA135	32 Kwords	400000h-407FFFh
Bank 7	BA134	32 Kwords	3F8000h-3FFFFFFh
	BA133	32 Kwords	3F0000h-3F7FFFh
	BA132	32 Kwords	3E8000h-3EFFFFh
	BA131	32 Kwords	3E0000h-3E7FFFh
	BA130	32 Kwords	3D8000h-3DFFFFh
	BA129	32 Kwords	3D0000h-3D7FFFh
	BA128	32 Kwords	3C8000h-3CFFFFh
	BA127	32 Kwords	3C0000h-3C7FFFh
	BA126	32 Kwords	3B8000h-3BFFFFh
	BA125	32 Kwords	3B0000h-3B7FFFh
	BA124	32 Kwords	3A8000h-3AFFFFh
	BA123	32 Kwords	3A0000h-3A7FFFh
	BA122	32 Kwords	398000h-39FFFFh
	BA121	32 Kwords	390000h-397FFFh
	BA120	32 Kwords	388000h-38FFFFh
	Bank 6	BA119	32 Kwords
BA118		32 Kwords	378000h-37FFFFh
BA117		32 Kwords	370000h-377FFFh
BA116		32 Kwords	368000h-36FFFFh
BA115		32 Kwords	360000h-367FFFh
BA114		32 Kwords	358000h-35FFFFh
BA113		32 Kwords	350000h-357FFFh
BA112		32 Kwords	348000h-34FFFFh
BA111		32 Kwords	340000h-347FFFh
BA110		32 Kwords	338000h-33FFFFh
BA109		32 Kwords	330000h-337FFFh
BA108		32 Kwords	328000h-32FFFFh
BA107		32 Kwords	320000h-327FFFh
BA106		32 Kwords	318000h-31FFFFh
BA105		32 Kwords	310000h-317FFFh
Bank 5		BA104	32 Kwords
	BA103	32 Kwords	300000h-307FFFh
	BA102	32 Kwords	2F8000h-2FFFFFFh
	BA101	32 Kwords	2F0000h-2F7FFFh
	BA100	32 Kwords	2E8000h-2EFFFFh
	BA99	32 Kwords	2E0000h-2E7FFFh
	BA98	32 Kwords	2D8000h-2DFFFFh
	BA97	32 Kwords	2D0000h-2D7FFFh
	BA96	32 Kwords	2C8000h-2CFFFFh
	BA95	32 Kwords	2C0000h-2C7FFFh
	BA94	32 Kwords	2B8000h-2BFFFFh
	BA93	32 Kwords	2B0000h-2B7FFFh
	BA92	32 Kwords	2A8000h-2AFFFFh

datasheet NOR FLASH MEMORY

K8S2815ET(B)E

Bank	Block	Block Size	(x16) Address Range
Bank 5	BA91	32 Kwords	2A0000h-2A7FFFh
	BA90	32 Kwords	298000h-29FFFFh
	BA89	32 Kwords	290000h-297FFFh
	BA88	32 Kwords	288000h-28FFFFh
	BA87	32 Kwords	280000h-287FFFh
Bank 4	BA86	32 Kwords	278000h-27FFFFh
	BA85	32 Kwords	270000h-277FFFh
	BA84	32 Kwords	268000h-26FFFFh
	BA83	32 Kwords	260000h-267FFFh
	BA82	32 Kwords	258000h-25FFFFh
	BA81	32 Kwords	250000h-257FFFh
	BA80	32 Kwords	248000h-24FFFFh
	BA79	32 Kwords	240000h-247FFFh
	BA78	32 Kwords	238000h-23FFFFh
	BA77	32 Kwords	230000h-237FFFh
	BA76	32 Kwords	228000h-22FFFFh
	BA75	32 Kwords	220000h-227FFFh
	BA74	32 Kwords	218000h-21FFFFh
	BA73	32 Kwords	210000h-217FFFh
	BA72	32 Kwords	208000h-20FFFFh
	BA71	32 Kwords	200000h-207FFFh
Bank 3	BA70	32 Kwords	1F8000h-1FFFFFh
	BA69	32 Kwords	1F0000h-1F7FFFh
	BA68	32 Kwords	1E8000h-1EFFFFh
	BA67	32 Kwords	1E0000h-1E7FFFh
	BA66	32 Kwords	1D8000h-1DFFFFh
	BA65	32 Kwords	1D0000h-1D7FFFh
	BA64	32 Kwords	1C8000h-1CFFFFh
	BA63	32 Kwords	1C0000h-1C7FFFh
	BA62	32 Kwords	1B8000h-1BFFFFh
	BA61	32 Kwords	1B0000h-1B7FFFh
	BA60	32 Kwords	1A8000h-1AFFFFh
	BA59	32 Kwords	1A0000h-1A7FFFh
	BA58	32 Kwords	198000h-19FFFFh
	BA57	32 Kwords	190000h-197FFFh
BA56	32 Kwords	188000h-18FFFFh	
BA55	32 Kwords	180000h-187FFFh	
Bank 2	BA54	32 Kwords	178000h-17FFFFh
	BA53	32 Kwords	170000h-177FFFh
	BA52	32 Kwords	168000h-16FFFFh
	BA51	32 Kwords	160000h-167FFFh
	BA50	32 Kwords	158000h-15FFFFh
	BA49	32 Kwords	150000h-157FFFh
	BA48	32 Kwords	148000h-14FFFFh
BA47	32 Kwords	140000h-147FFFh	

datasheet NOR FLASH MEMORY

K8S2815ET(B)E

Bank	Block	Block Size	(x16) Address Range
Bank 2	BA46	32 Kwords	138000h-13FFFFh
	BA45	32 Kwords	130000h-137FFFh
	BA44	32 Kwords	128000h-12FFFFh
	BA43	32 Kwords	120000h-127FFFh
	BA42	32 Kwords	118000h-11FFFFh
	BA41	32 Kwords	110000h-117FFFh
	BA40	32 Kwords	108000h-10FFFFh
	BA39	32 Kwords	100000h-107FFFh
Bank 1	BA38	32 Kwords	0F8000h-0FFFFFh
	BA37	32 Kwords	0F0000h-0F7FFFh
	BA36	32 Kwords	0E8000h-0EFFFFh
	BA35	32 Kwords	0E0000h-0E7FFFh
	BA34	32 Kwords	0D8000h-0DFFFFh
	BA33	32 Kwords	0D0000h-0D7FFFh
	BA32	32 Kwords	0C8000h-0CFFFFh
	BA31	32 Kwords	0C0000h-0C7FFFh
	BA30	32 Kwords	0B8000h-0BFFFFh
	BA29	32 Kwords	0B0000h-0B7FFFh
	BA28	32 Kwords	0A8000h-0AFFFFh
	BA27	32 Kwords	0A0000h-0A7FFFh
	BA26	32 Kwords	098000h-09FFFFh
	BA25	32 Kwords	090000h-097FFFh
	BA24	32 Kwords	088000h-08FFFFh
	BA23	32 Kwords	080000h-087FFFh

Bank	Block	Block Size	(x16) Address Range
Bank 0	BA22	32 Kwords	078000h-07FFFFh
	BA21	32 Kwords	070000h-077FFFh
	BA20	32 Kwords	068000h-06FFFFh
	BA19	32 Kwords	060000h-067FFFh
	BA18	32 Kwords	058000h-05FFFFh
	BA17	32 Kwords	050000h-057FFFh
	BA16	32 Kwords	048000h-04FFFFh
	BA15	32 Kwords	040000h-047FFFh
	BA14	32 Kwords	038000h-03FFFFh
	BA13	32 Kwords	030000h-037FFFh
	BA12	32 Kwords	028000h-02FFFFh
	BA11	32 Kwords	020000h-027FFFh
	BA10	32 Kwords	018000h-01FFFFh
	BA9	32 Kwords	010000h-017FFFh
	BA8	32 Kwords	008000h-00FFFFh
	BA7	4 Kwords	007000h-007FFFh
	BA6	4 Kwords	006000h-006FFFh
	BA5	4 Kwords	005000h-005FFFh
	BA4	4 Kwords	004000h-004FFFh
	BA3	4 Kwords	003000h-003FFFh
	BA2	4 Kwords	002000h-002FFFh
	BA1	4 Kwords	001000h-001FFFh
BA0	4 Kwords	000000h-000FFFh	

[Table 17] Bottom Boot Block OTP Block Addresses

OTP	Block Address A22 ~ A8	Block Size	(x16) Address Range
	0000h	256words	000000h-0000FFh

After entering OTP block, any issued addresses should be in the range of OTP block address