

**2.5W Mono Filter-Free Class D Audio Power Amplifier**

**Description**

The AAT5101 is a high efficiency, 2.5W mono class D audio power amplifier. The low noise, filterless PWM architecture eliminates the output filter, reduces the external component count and system cost, and simplifies system design. With high efficiency of up to 92% and the industry lowest 1.35mA quiescent current, it increases battery lifetime and dramatically lowers the junction temperature. The space saving wafer-level chip scale package (WLCSP) and minimum external component requirements make it ideal for cellular phones and PDAs.

With high PSRR, low THD+N, and 91dB SNR, the AAT5101 guarantees clean sound across the wide audio output power range and the full audio frequency domain. Short circuit and thermal protection with self-recovery prevents the device from being damaged during over current conditions.

In cellular phones, the earpiece, speaker phone and melody ringer can each be driven by the AAT5101. Also, proprietary technology successfully suppresses pop and click noise.

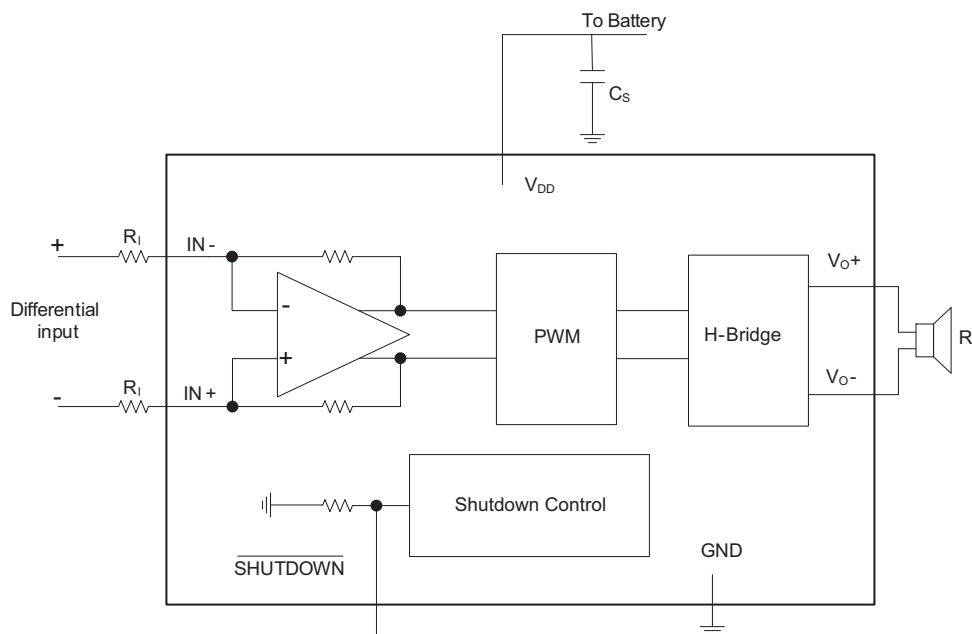
**Features**

- Maximum Battery Life and Minimum Heat
  - 1.35mA Quiescent Current
  - 0.06µA Shutdown Current
  - Up to 92% Efficiency
- Large Output Power Capabilities
  - 1.35W with 8Ω Load and THD+N < 1%
  - 2.5W with 4Ω Load and THD+N < 10%
- Pop and Click Noise Suppression Circuitry
- Thermal and Output Short Circuit Protection with Self-recovery
- High Performance, THD+N of 0.12% at 5V, 8Ω Load and P<sub>OUT</sub> = 1.0W
- Filter-less Capability
- Internally Generated 250 kHz Switching Frequency
- Excellent PSRR and Wide Supply Voltage Range (2.1V to 5.5V)
- Fully Differential Design
- External Gain Configuration Capability
- 9-Pin Wafer-Level Chip Scale Packaging (WLCSP)

**Applications**

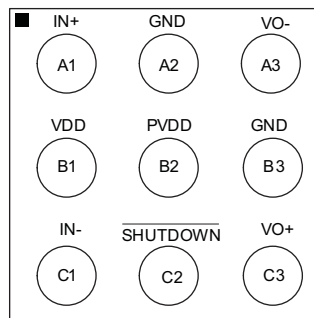
- Cellular Phones
- MP4s
- Notebook Computers
- PDAs
- Portable DVD Players

**Typical Application**



**2.5W Mono Filter-Free Class D Audio Power Amplifier****Pin Description**

Pin #	Symbol	Type	Description
A1	IN+	I	Positive differential input.
A2	GND	I	Analog ground.
A3	VO-	O	Negative BTL output.
B1	VDD	I	Analog power supply.
B2	PVDD	I	Power supply for internal H-bridge stage.
B3	GND	I	Analog ground.
C1	IN-	I	Negative differential input.
C2	$\overline{\text{SHUTDOWN}}$		The device enters shutdown mode when a low level is applied on this pin. An internal 300k $\Omega$ will force the device into shutdown mode if no signal is applied to this pin. It also helps to save space and cost.
C3	VO+	O	Positive BTL output

**Pin Configuration****WLCSP-9  
(Top View)**

**2.5W Mono Filter-Free Class D Audio Power Amplifier****Absolute Maximum Ratings**

Symbol	Description	Max	Units
$V_{DD}$	Supply Voltage	Active Mode	5.5
		Shutdown Mode	6.0
$I_{OUT}$	Maximum Output Current	1.5	A
$T_A$	Operating Ambient Temperature	-40 to +85	°C
$T_J$	Maximum Junction Temperature	165	
	Latchup Current @ $T_A = 85^\circ\text{C}$	> 200	mA

**Recommended Operating Conditions**

Symbol	Description	Min	Max	Units
$P_{VDD}, V_{DD}$	Supply Voltage	2.1	5.5	V
$T_A$	Operating Temperature	-40	85	°C

**Thermal Characteristics**

Symbol	Description	Value	Units
$\Theta_{JA}$	Maximum Thermal Resistance <sup>1</sup>	120	°C/W
$P_D$	Maximum Power Dissipation <sup>1,2</sup>	833	mW

1. Mounted on a FR4 board.  
 2. Derate 6.25mW/°C above 25°C.

**2.5W Mono Filter-Free Class D Audio Power Amplifier**

### Electrical Characteristics

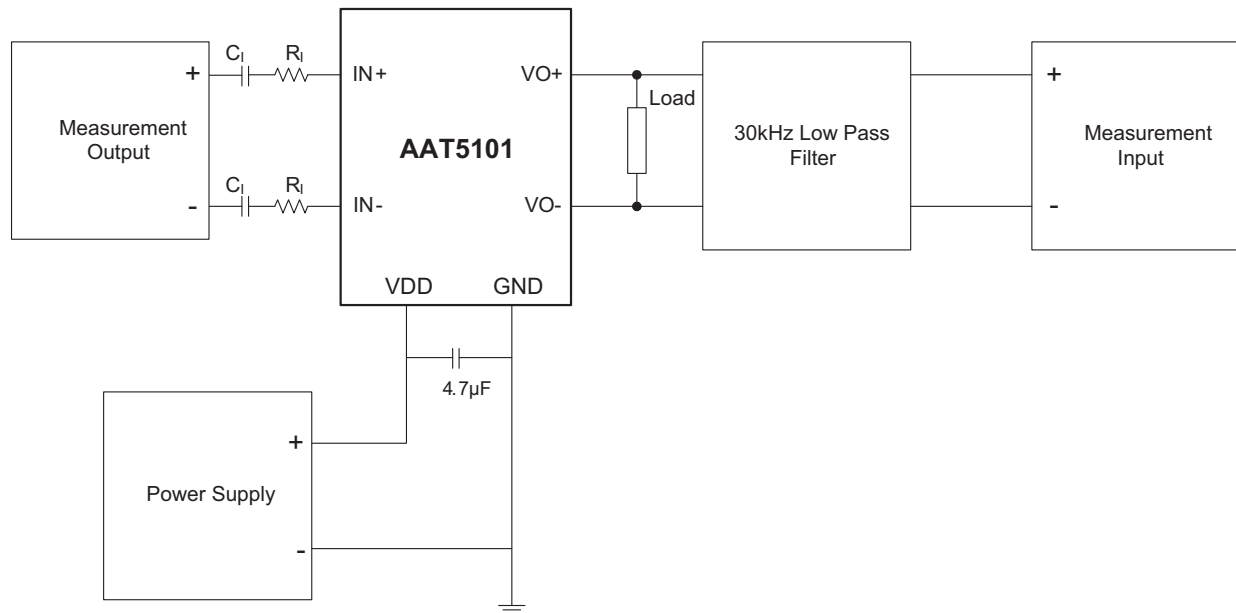
$T_A = 25^\circ\text{C}$  unless otherwise noted.

Symbol	Characteristic	Conditions	Min	Typ	Max	Units
$V_{DD}$	Operating Supply Voltage	$T_A = -40^\circ\text{C}$ to $+85^\circ\text{C}$	2.1		5.5	V
$I_Q$	Supply Quiescent Current	$V_{DD} = 5.5\text{V}$ , No Load		1.72	3.2	mA
		$V_{DD} = 3.6\text{V}$ , No Load		1.35		
		$V_{DD} = 2.1\text{V}$ , No Load		0.87	2.5	
$I_{SD}$	Shutdown Current	$V_{DD} = 2.1\text{V}$ to $5.5\text{V}$		0.06	1	$\mu\text{A}$
$V_{SDIH}$	Shutdown Voltage High	$V_{DD} = 3.6\text{V}$ , $T_A = -40^\circ\text{C}$ to $85^\circ\text{C}$	1.4			V
$V_{SDIL}$	Shutdown Voltage Low	$V_{DD} = 3.6\text{V}$ , $T_A = -40^\circ\text{C}$ to $85^\circ\text{C}$			0.6	
$F_{SW}$	Switching Frequency	$V_{DD} = 2.1\text{V}$ to $5.5\text{V}$	200	250	300	kHz
G	Amplifier Gain	$R_L = 4\Omega$	$280\text{k}\Omega/R_I$	$300\text{k}\Omega/R_I$	$320\text{k}\Omega/R_I$	V/V
		$R_L = 8\Omega$	$300\text{k}\Omega/R_I$	$320\text{k}\Omega/R_I$	$340\text{k}\Omega/R_I$	
$R_{DS}$	Static Drain-Source On-State Resistance	$V_{DD} = 5.5\text{V}$		300		m $\Omega$
		$V_{DD} = 3.6\text{V}$		350		
		$V_{DD} = 2.1\text{V}$		500		
$R_S$	Resistance from Shutdown to GND			300		K $\Omega$
$T_{ON}$	Turn On Time	$V_{DD} = 2.1\text{V}$ to $5.5\text{V}$		8		ms
$T_{OFF}$	Turn Off Time	$V_{DD} = 2.1\text{V}$ to $5.5\text{V}$		8		

### Operating Characteristics

$T_A = 25^\circ\text{C}$ , Gain = 2V/V,  $R_I = 150\text{k}\Omega$  unless otherwise noted.

Symbol	Characteristic	Conditions	Min	Typ	Max	Units	
$P_{OUT}$	Output Power	THD+N = 10%, $f = 1\text{kHz}$ , $R_L = 4\Omega$	$V_{DD} = 5.0\text{V}$		2.80	W	
			$V_{DD} = 3.6\text{V}$		1.41		
			$V_{DD} = 2.5\text{V}$		0.62		
		THD+N = 1%, $f = 1\text{kHz}$ , $R_L = 4\Omega$	$V_{DD} = 5.0\text{V}$		2.35		
			$V_{DD} = 3.6\text{V}$		1.14		
			$V_{DD} = 2.5\text{V}$		0.46		
		THD+N = 10%, $f = 1\text{kHz}$ , $R_L = 8\Omega$	$V_{DD} = 5.0\text{V}$		1.66		
			$V_{DD} = 3.6\text{V}$		0.84		
			$V_{DD} = 2.5\text{V}$		0.37		
		THD+N = 1%, $f = 1\text{kHz}$ , $R_L = 8\Omega$	$V_{DD} = 5.0\text{V}$		1.35		
			$V_{DD} = 3.6\text{V}$		0.68		
			$V_{DD} = 2.5\text{V}$		0.29		
$\eta$	Efficiency	$R_L = 8\Omega$ , $f = 1\text{kHz}$	$V_{DD} = 5.0\text{V}$ , $P_{OUT} = 1.2\text{W}$		92	%	
			$V_{DD} = 3.6\text{V}$ , $P_{OUT} = 0.6\text{W}$		91		
		$R_L = 4\Omega$ , $f = 1\text{kHz}$	$V_{DD} = 5.0\text{V}$ , $P_{OUT} = 2.0\text{W}$		87		
			$V_{DD} = 3.6\text{V}$ , $P_{OUT} = 1.0\text{W}$		85		
THD+N	Total Harmonic Distortion + Noise	$R_L = 8\Omega$ , $f = 1\text{kHz}$	$V_{DD} = 5.0\text{V}$ , $P_{OUT} = 1.0\text{W}$		0.12		
		$R_L = 8\Omega$ , $f = 1\text{kHz}$	$V_{DD} = 3.6\text{V}$ , $P_{OUT} = 0.5\text{W}$		0.21		
		$R_L = 8\Omega$ , $f = 1\text{kHz}$	$V_{DD} = 2.5\text{V}$ , $P_{OUT} = 0.2\text{W}$		0.26		
SNR	Signal-to Noise Ratio	$V_{DD} = 5.0\text{V}$ , $P_{OUT} = 1.0\text{W}$ , $R_L = 8\Omega$		91			
CMRR	Common Mode Rejection Ratio	$V_{DD} = 3.6\text{V}$ , $V_{IC} = 1\text{Vpp}$	$f = 217\text{Hz}$	-63		dB	
PSRR	Power Supply Ripple Rejection	$V_{DD} = 3.6\text{V}$ , Inputs AC-ground with $C_I = 2.2\mu\text{F}$	$V_{RIPPLE} = 200\text{mVpp}$ , $f = 217\text{Hz}$	-60			
$Z_I$	Input Impedance	$R_L = 4\Omega$		142	150	158	k $\Omega$

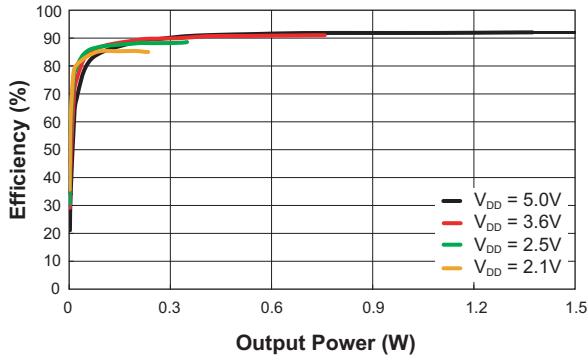
**2.5W Mono Filter-Free Class D Audio Power Amplifier****Typical Characteristics<sup>1, 2</sup>****Test Set-up for Typical Characteristics Graphs.**

1. A 33µH inductor was placed in series with load resistor to emulate a small speaker for efficiency measurement.
2. The 30kHz low-pass filter is required even if the analyzer has an internal low-pass filter. An RC low pass filter (100Ω, 47nF) is used on each output for the data sheet graphs.

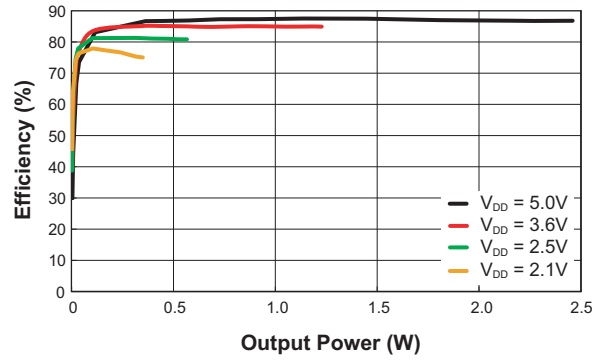
**2.5W Mono Filter-Free Class D Audio Power Amplifier**

**Typical Characteristics**

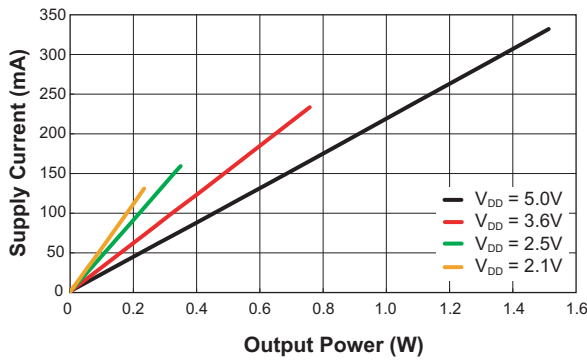
**Efficiency vs. Output Power**  
 (f = 1kHz; R<sub>L</sub> = 8Ω + 33μH)



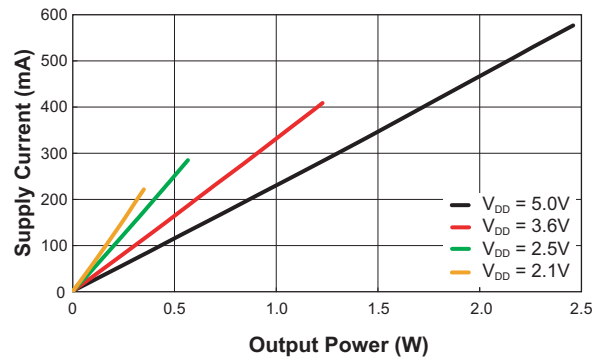
**Efficiency vs. Output Power**  
 (f = 1kHz; R<sub>L</sub> = 4Ω + 33μH)



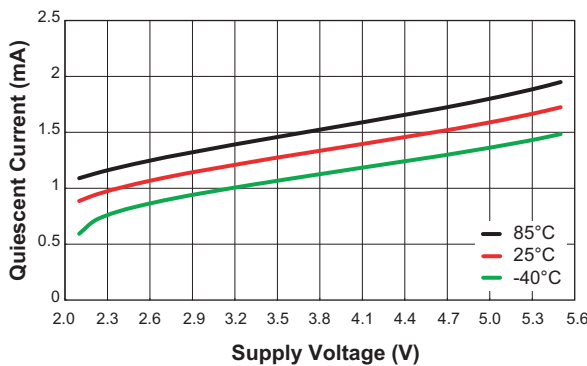
**Supply Current vs. Output Power**  
 (f = 1kHz; R<sub>L</sub> = 8Ω + 33μH)



**Supply Current vs. Output Power**  
 (f = 1kHz; R<sub>L</sub> = 4Ω + 33μH)



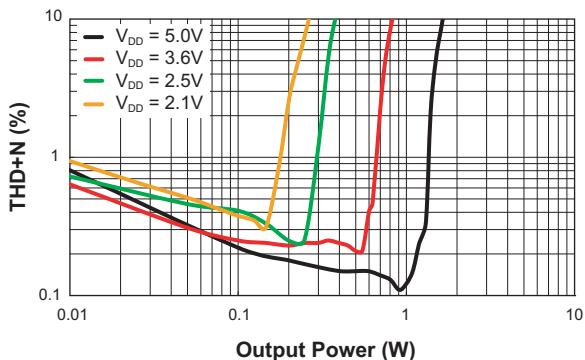
**Quiescent Current vs. Supply Voltage**



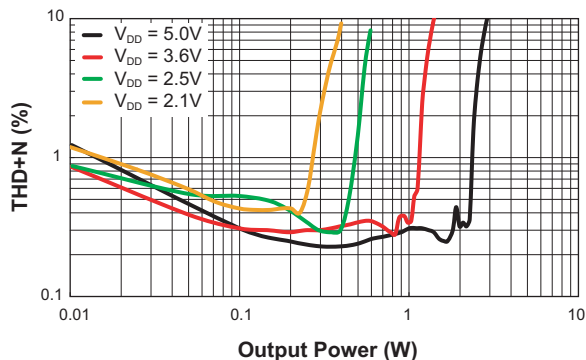
## 2.5W Mono Filter-Free Class D Audio Power Amplifier

### Typical Characteristics

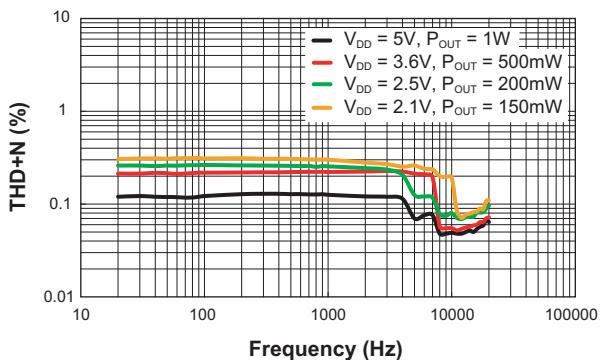
**THD+N vs. Output Power**  
(f = 1kHz; R<sub>L</sub> = 8Ω)



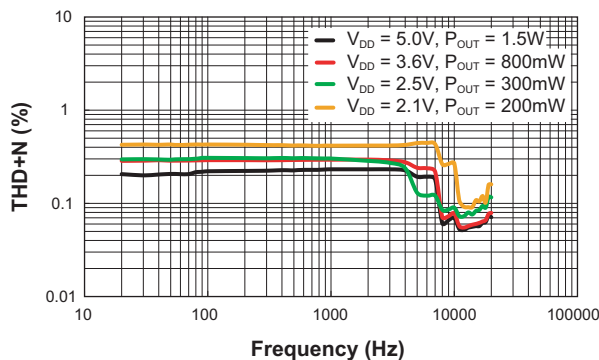
**THD+N vs. Output Power**  
(f = 1kHz; R<sub>L</sub> = 4Ω)



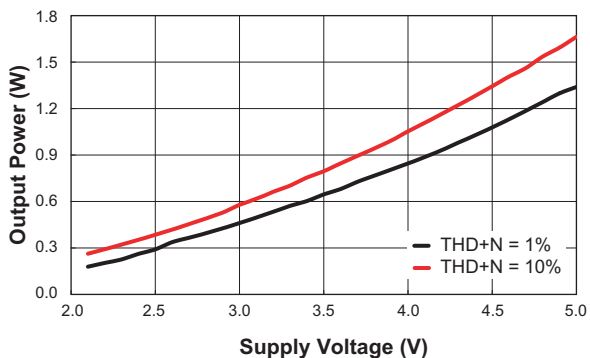
**THD+N vs. Frequency**  
(C<sub>1</sub> = 2.2μF; R<sub>L</sub> = 8Ω)



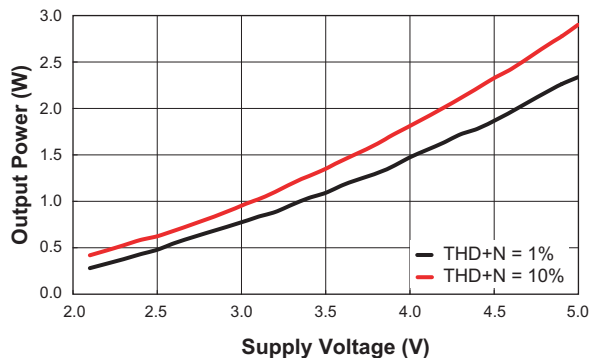
**THD+N vs. Frequency**  
(C<sub>1</sub> = 2.2μF; R<sub>L</sub> = 4Ω)



**Output Power vs. Supply Voltage**  
(f = 1kHz; R<sub>L</sub> = 8Ω)

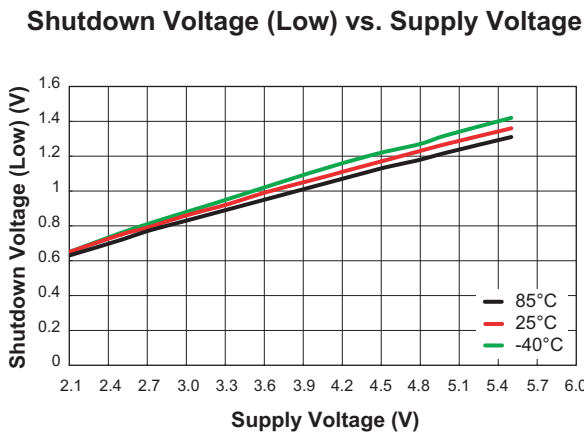
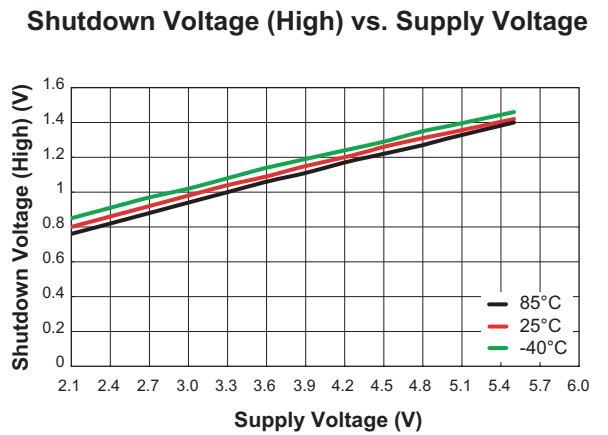
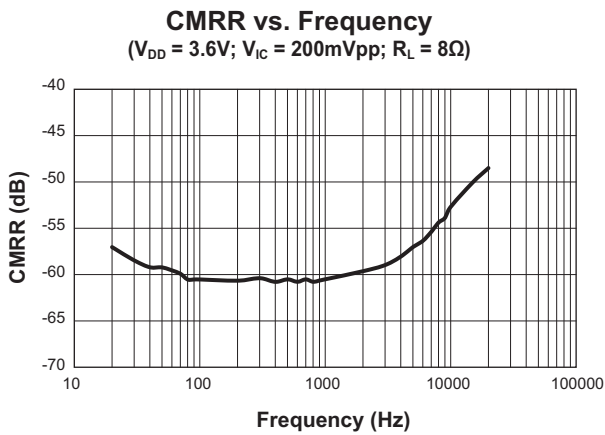
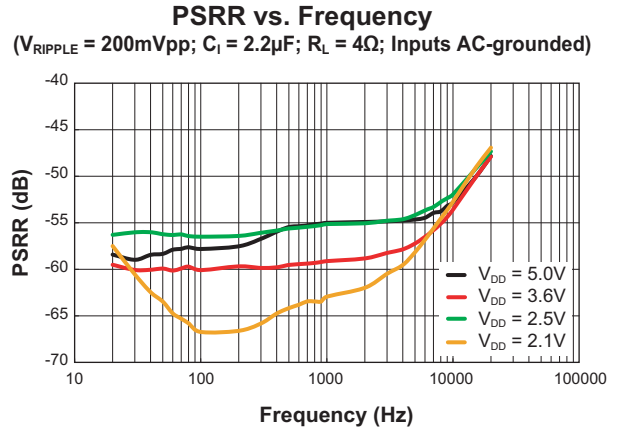
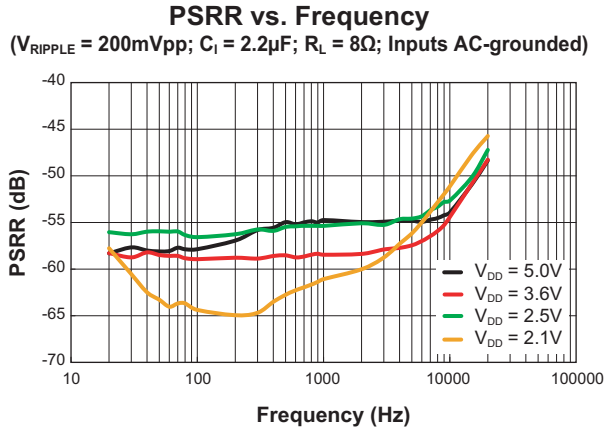


**Output Power vs. Supply Voltage**  
(f = 1kHz; R<sub>L</sub> = 4Ω)



## 2.5W Mono Filter-Free Class D Audio Power Amplifier

### Typical Characteristics





**2.5W Mono Filter-Free Class D Audio Power Amplifier****Application Information****Input Resistor ( $R_I$ ) Selection**

The input resistors ( $R_I$ ) set the gain of the amplifier according to the following equation:

$$\text{Gain} = 300K\Omega (R_L = 4\Omega)$$

$$\text{Gain} = 320K\Omega (R_L = 8\Omega)$$

For input resistors ( $R_I$ ), resistor matching is a very important criteria. The balance of the output around the reference voltage depends on a matched ratio of the resistors. CMRR and PSRR diminish if resistor mismatch occurs. Therefore, it is recommended to use 1% tolerance resistors or better to keep the performance optimized.

**Decoupling Capacitor ( $C_S$ ) Selection**

The AAT5101 is a high-performance class-D audio amplifier that requires adequate power supply decoupling to ensure high efficiency and low total harmonic distortion (THD). For decoupling capacitor ( $C_S$ ), a good low equivalent series resistance (ESR) 4.7 $\mu$ F ceramic capacitor is preferred.

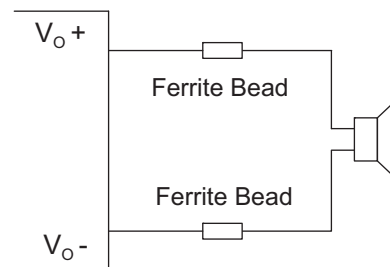
**Input Capacitor ( $C_I$ ) Selection**

The input capacitors and input resistors form a high-pass filter with the corner frequency,  $F_c$ , determined by the following equation. The value of the input capacitor is an important consideration as it directly affects the bass (low frequency) performance of the circuit. Speakers in wireless phones cannot usually respond well to low frequencies, so a high pass filter will be useful in this application.

$$F_c = \frac{1}{2 \cdot \pi \cdot R_I \cdot C_I}$$

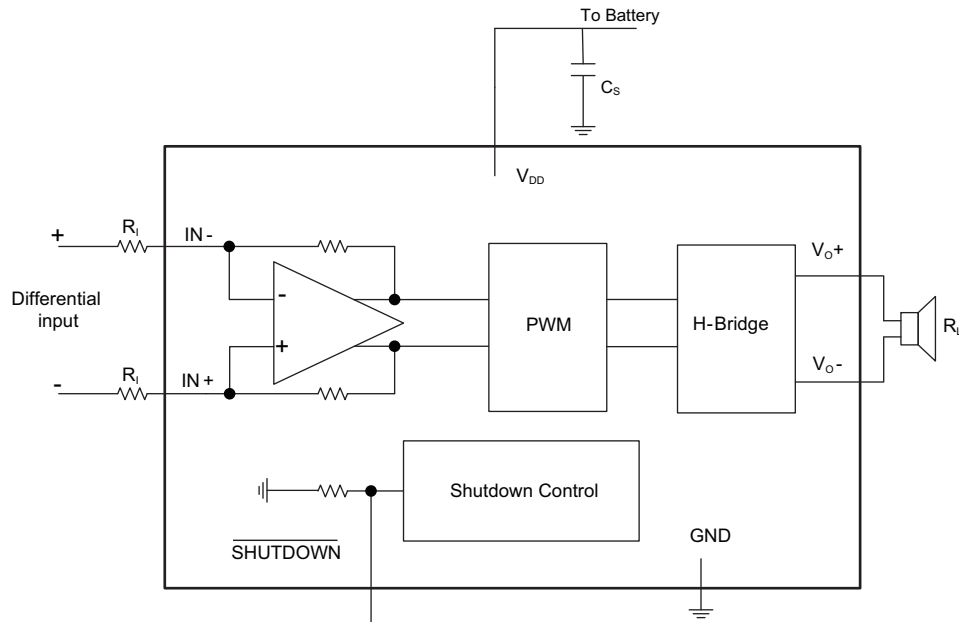
**Optional Output Filter**

The AAT5101 can be designed without an output filter if the traces from the amplifier to the speaker are short. However, to lower radiated emissions as much as possible when used in filter-free mode, a ferrite bead filter can be used. If choosing a ferrite bead, choose one with high impedance at high frequencies, but very low impedance at low frequencies. The MPZ1608S221A1 from TDK is a good choice.

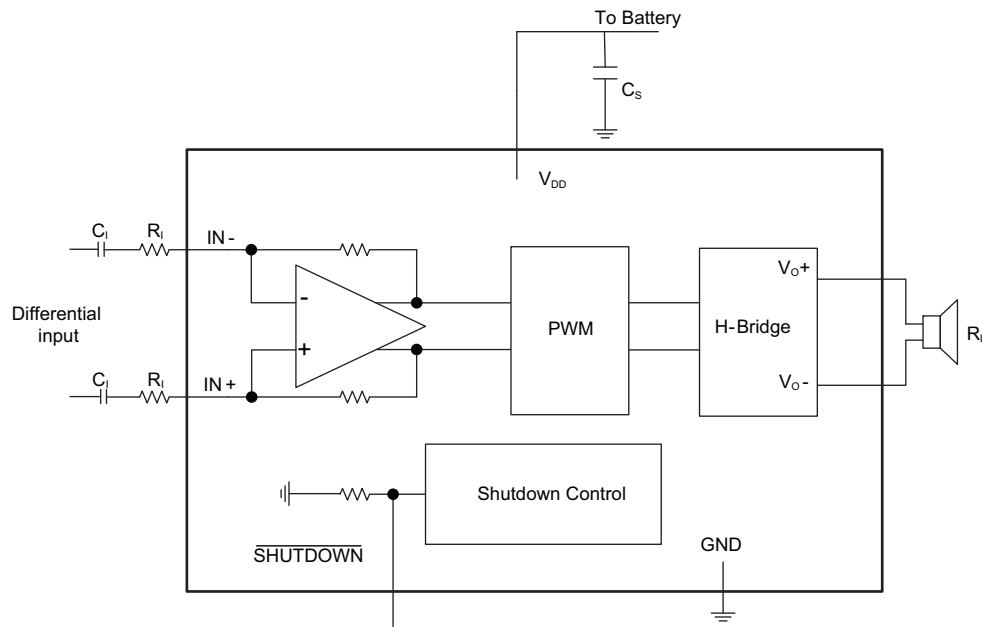


**Figure 1: Optional EMI Ferrite Bead Filter.**

**2.5W Mono Filter-Free Class D Audio Power Amplifier**



**Figure 2: AAT5101 Application Schematic with DC-Coupled Fully Differential Input Configuration.**



**Figure 3: AAT5101 Application Schematic with AC-Coupled Fully Differential Input Configuration.**

# AAT5101

## 2.5W Mono Filter-Free Class D Audio Power Amplifier

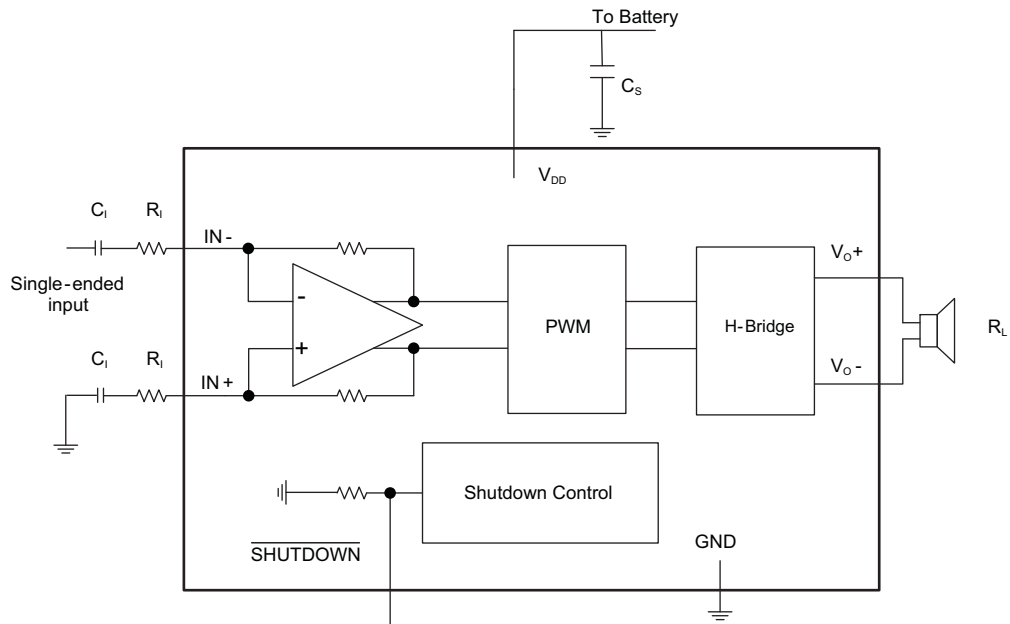


Figure 4: AAT5101 Application Schematic with Single-Ended Input Configuration.

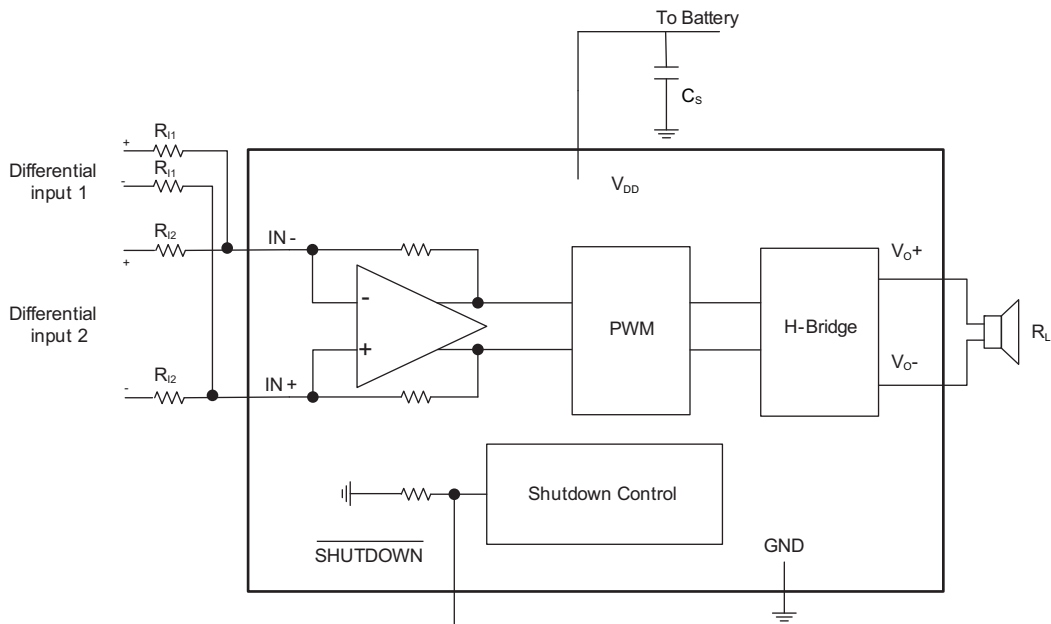
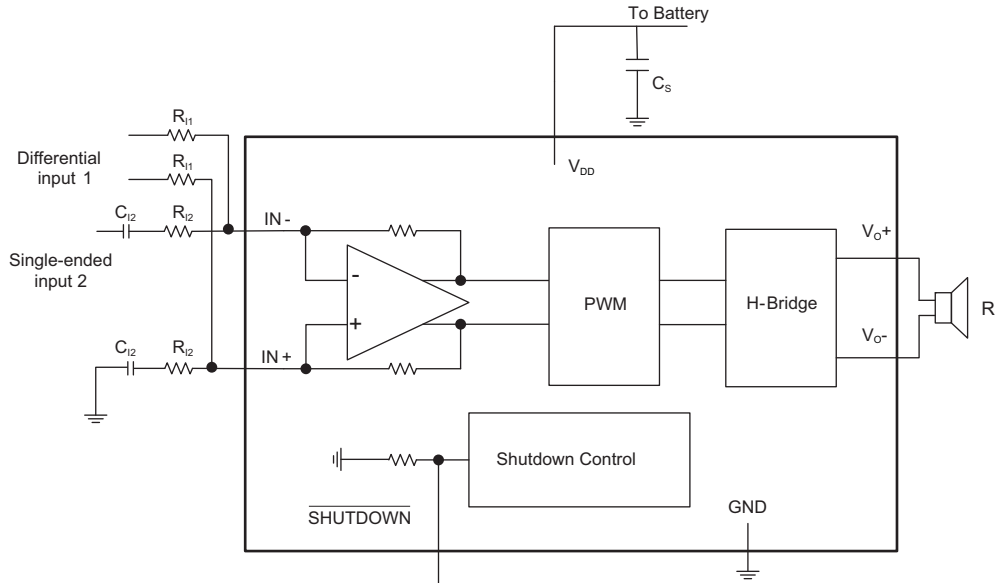


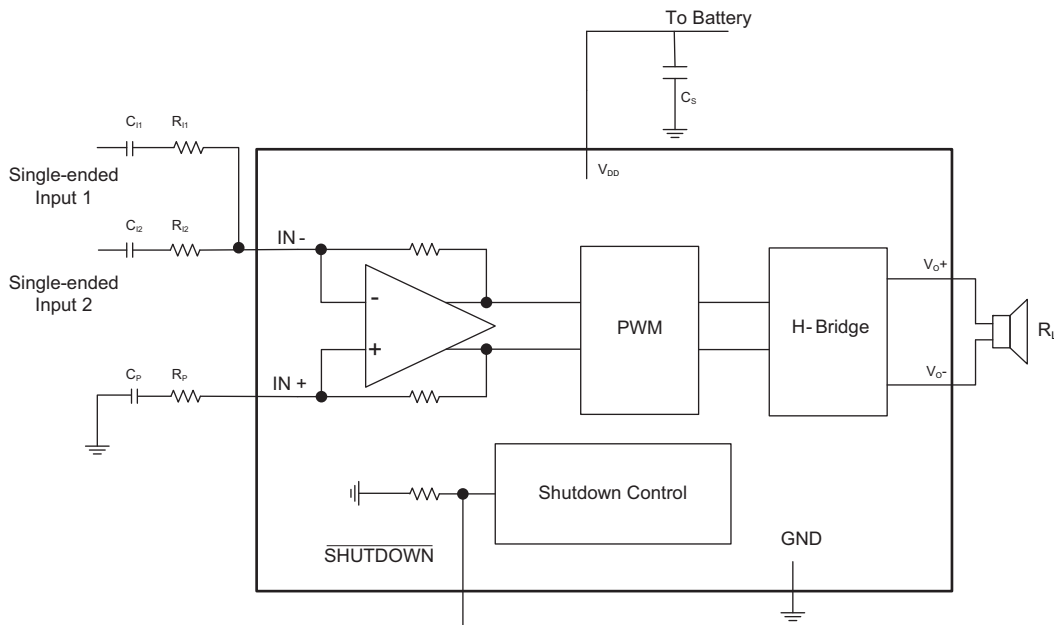
Figure 5: AAT5101 Application Schematic with AAT5101 Summing Two Differential Inputs.

# AAT5101

## 2.5W Mono Filter-Free Class D Audio Power Amplifier



**Figure 6: AAT5101 Application Schematic with AAT5101 Summing Differential Input and Single-Ended Input Signals.**



**Figure 7: AAT5101 Application Schematic with AAT5101 Summing Two Single-Ended Inputs.**

# AAT5101

## 2.5W Mono Filter-Free Class D Audio Power Amplifier

### PCB Guidance

The suggested PCB layout for the AAT5101 is shown in Figure 9. All components are placed as close as possible to the AAT5101's leads to achieve better performance.

The following guidelines should be used to help ensure a proper layout.

1. The decoupling capacitor (C4) should connect to the VDD pin and PVDD pin as closely as possible.
2. The input resistor (R1, R2) should be placed very close to the AAT5101.

3. The input routes should be similar and the distance between the two routes should be small.
4. The output traces should be short, wide, and not pass beneath the IC in the other layers.

### WLCSP Package Light Sensitivity

The electrical performance of the WLCSP package can be adversely affected by exposing the device to certain light sources, such as direct sunlight or a halogen lamp whose wavelengths are red and infra-reds. However, fluorescent lighting has very little effect on the electrical performance of the WLCSP package.

### Evaluation Board Information

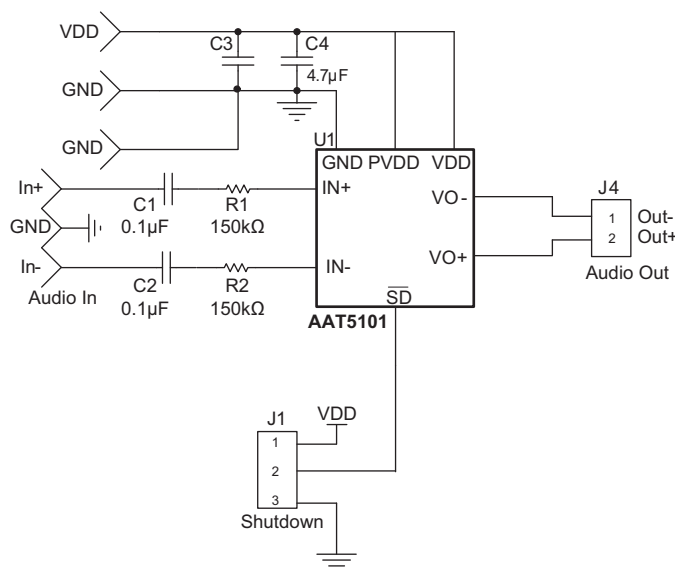
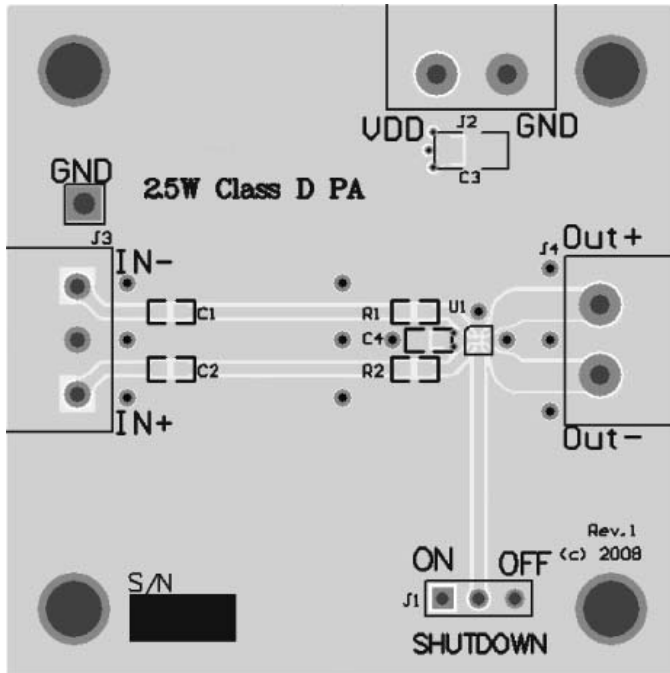


Figure 8: AAT5101 Evaluation Board Schematic.

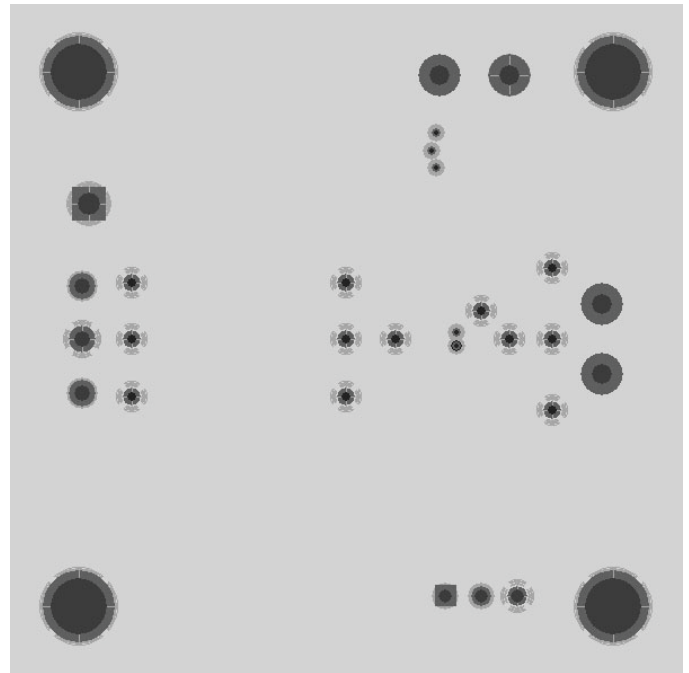
### Component Selection

Item	Part Description	Ref	PCB Footprint	Manufacturer	Part Number
1	SMD Resistor 150KΩ	R1, R2	0603	Vishay-Draloric	CRCW0603
2	Ceramic Capacitor 0.1µF, 50V, X7R	C1, C2	0603	TDK	C1608X7R1H104KT
3	Ceramic Capacitor 4.7µF, 6.3V, X5R	C4	0603	TDK	C1608X5R0J475MT
4	Not populated	C3			

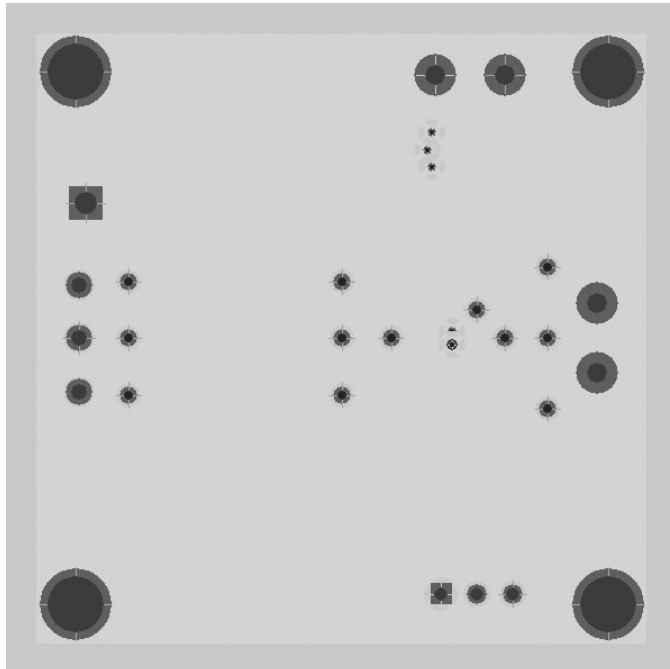
*2.5W Mono Filter-Free Class D Audio Power Amplifier*



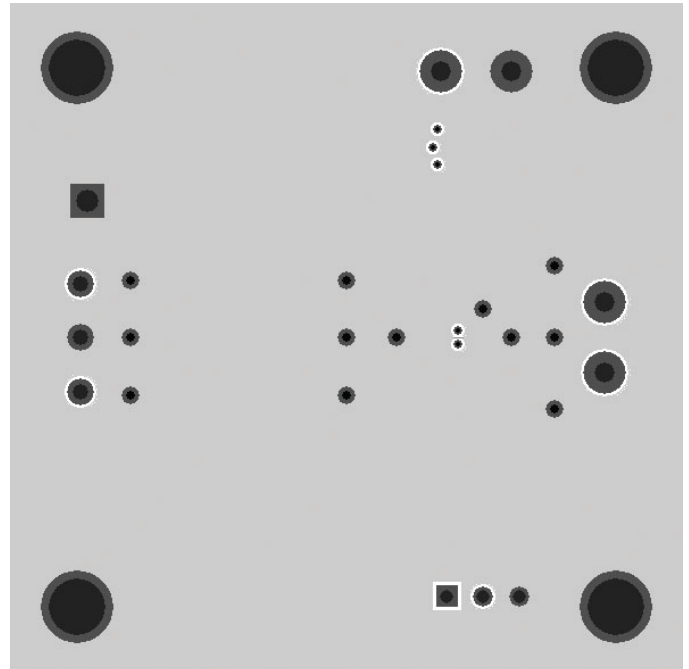
(a) Top Layer



(b) Ground Plane



(c) Power Plane



(d) Bottom Layer

Figure 9: AAT5101 Evaluation Board PCB Layout.

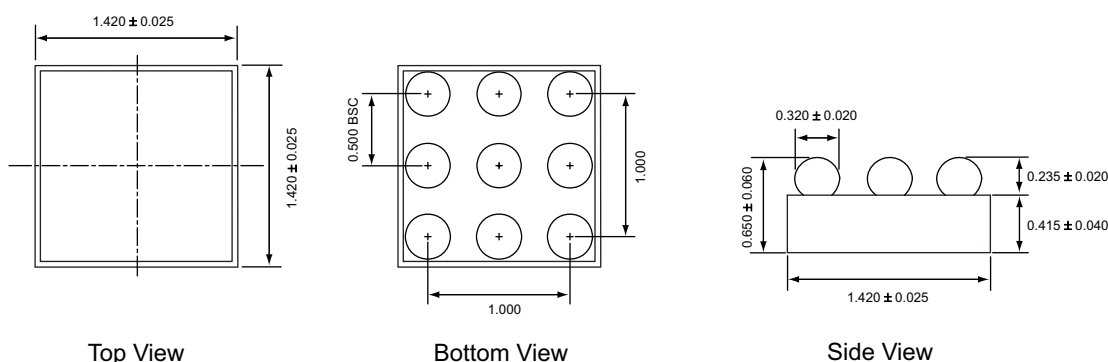
**2.5W Mono Filter-Free Class D Audio Power Amplifier****Ordering Information**

Package	Part Marking <sup>1</sup>	Part Number (Tape and Reel) <sup>2</sup>
WLCSP-9	7HYW	<b>AAT5101IUR-T1</b>



Skyworks Green™ products are compliant with all applicable legislation and are halogen-free.

For additional information, refer to *Skyworks Definition of Green™*, document number SQ04-0074.

**Packaging Information****WLCSP-9**

All dimensions in millimeters.

1. YW = date code.
2. Sample stock is generally held on part numbers listed in **BOLD**.

Copyright © 2012 Skyworks Solutions, Inc. All Rights Reserved.

Information in this document is provided in connection with Skyworks Solutions, Inc. ("Skyworks") products or services. These materials, including the information contained herein, are provided by Skyworks as a service to its customers and may be used for informational purposes only by the customer. Skyworks assumes no responsibility for errors or omissions in these materials or the information contained herein. Skyworks may change its documentation, products, services, specifications or product descriptions at any time, without notice. Skyworks makes no commitment to update the materials or information and shall have no responsibility whatsoever for conflicts, incompatibilities, or other difficulties arising from any future changes.

No license, whether express, implied, by estoppel or otherwise, is granted to any intellectual property rights by this document. Skyworks assumes no liability for any materials, products or information provided hereunder, including the sale, distribution, reproduction or use of Skyworks products, information or materials, except as may be provided in Skyworks Terms and Conditions of Sale.

THE MATERIALS, PRODUCTS AND INFORMATION ARE PROVIDED "AS IS" WITHOUT WARRANTY OF ANY KIND, WHETHER EXPRESS, IMPLIED, STATUTORY, OR OTHERWISE, INCLUDING FITNESS FOR A PARTICULAR PURPOSE OR USE, MERCHANTABILITY, PERFORMANCE, QUALITY OR NON-INFRINGEMENT OF ANY INTELLECTUAL PROPERTY RIGHT; ALL SUCH WARRANTIES ARE HEREBY EXPRESSLY DISCLAIMED. SKYWORKS DOES NOT WARRANT THE ACCURACY OR COMPLETENESS OF THE INFORMATION, TEXT, GRAPHICS OR OTHER ITEMS CONTAINED WITHIN THESE MATERIALS. SKYWORKS SHALL NOT BE LIABLE FOR ANY DAMAGES, INCLUDING BUT NOT LIMITED TO ANY SPECIAL, INDIRECT, INCIDENTAL, STATUTORY, OR CONSEQUENTIAL DAMAGES, INCLUDING WITHOUT LIMITATION, LOST REVENUES OR LOST PROFITS THAT MAY RESULT FROM THE USE OF THE MATERIALS OR INFORMATION, WHETHER OR NOT THE RECIPIENT OF MATERIALS HAS BEEN ADVISED OF THE POSSIBILITY OF SUCH DAMAGE.

Skyworks products are not intended for use in medical, lifesaving or life-sustaining applications, or other equipment in which the failure of the Skyworks products could lead to personal injury, death, physical or environmental damage. Skyworks customers using or selling Skyworks products for use in such applications do so at their own risk and agree to fully indemnify Skyworks for any damages resulting from such improper use or sale.

Customers are responsible for their products and applications using Skyworks products, which may deviate from published specifications as a result of design defects, errors, or operation of products outside of published parameters or design specifications. Customers should include design and operating safeguards to minimize these and other risks. Skyworks assumes no liability for applications assistance, customer product design, or damage to any equipment resulting from the use of Skyworks products outside of stated published specifications or parameters.

Skyworks, the Skyworks symbol, and "Breakthrough Simplicity" are trademarks or registered trademarks of Skyworks Solutions, Inc., in the United States and other countries. Third-party brands and names are for identification purposes only, and are the property of their respective owners. Additional information, including relevant terms and conditions, posted at [www.skyworksinc.com](http://www.skyworksinc.com), are incorporated by reference.