

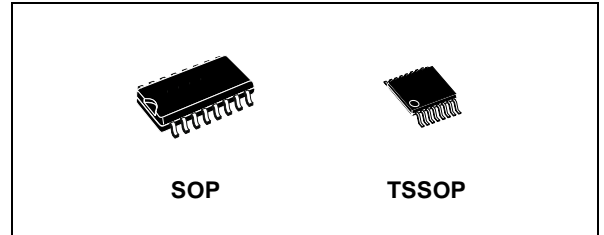
## 8 BIT SHIFT REGISTER WITH OUTPUT REGISTER

- HIGH SPEED:  $t_{PD} = 4.2ns$  (TYP.) at  $V_{CC} = 5V$
- LOW POWER DISSIPATION:  
 $I_{CC} = 4 \mu A$  (MAX.) at  $T_A = 25^\circ C$
- HIGH NOISE IMMUNITY:  
 $V_{NIH} = V_{NIL} = 28\% V_{CC}$  (MIN.)
- POWER DOWN PROTECTION ON INPUTS
- SYMMETRICAL OUTPUT IMPEDANCE:  
 $|I_{OH}| = I_{OL} = 8 mA$  (MIN)
- BALANCED PROPAGATION DELAYS:  
 $t_{PLH} \cong t_{PHL}$
- OPERATING VOLTAGE RANGE:  
 $V_{CC(OPR)} = 2V$  to  $5.5V$
- PIN AND FUNCTION COMPATIBLE WITH 74 SERIES 594
- IMPROVED LATCH-UP IMMUNITY
- LOW NOISE:  $V_{OLP} = 0.8V$  (MAX.)

### DESCRIPTION

The 74VHC594 is an high speed CMOS 8-BIT SHIFT REGISTERS fabricated with sub-micron silicon gate C<sup>2</sup>MOS technology.

This device contains an 8-bit serial-in, parallel-out shift register that feeds an 8-bit D-type storage register. Separate clocks and direct overriding clear ( $\overline{SCLR}$ ,  $\overline{RCLR}$ ) are provided for both the shift register and the storage register.



**Table 1: Order Codes**

PACKAGE	T & R
SOP	M74VHC594RMTR
TSSOP	M74VHC594TTR

A serial (QH') output is provided for cascading purposes. Both the shift register and storage register use positive-edge triggered clocks. If the clocks are connected together, the shift register state will always be one clock pulse ahead of the storage register.

Power down protection is provided on all inputs and 0 to 7V can be accepted on inputs with no regard to the supply voltage. This device can be used to interface 5V to 3V.

All inputs are equipped with protection circuits against static discharge, giving them 2KV ESD immunity and transient excess voltage.

**Figure 1: Pin Connection And IEC Logic Symbols**

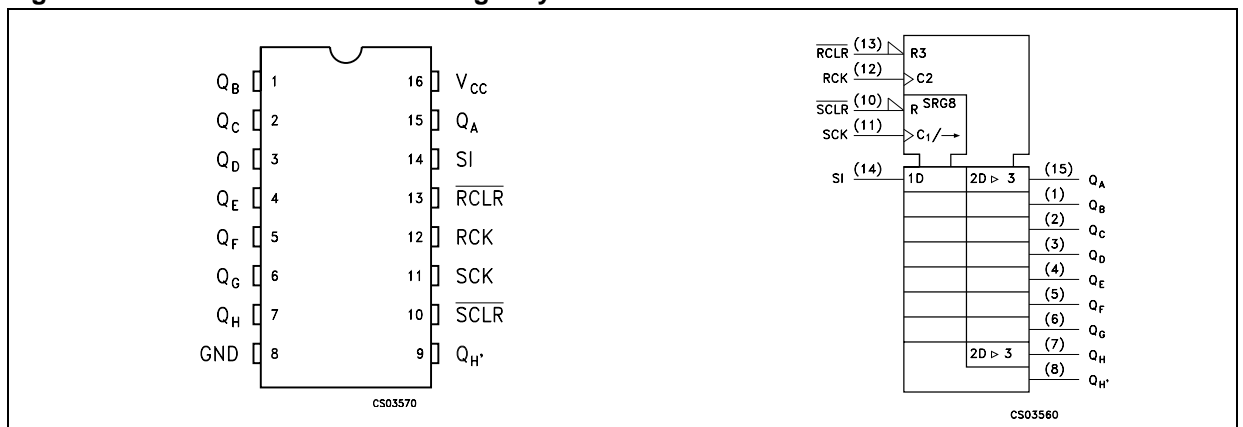


Figure 2: Input Equivalent Circuit

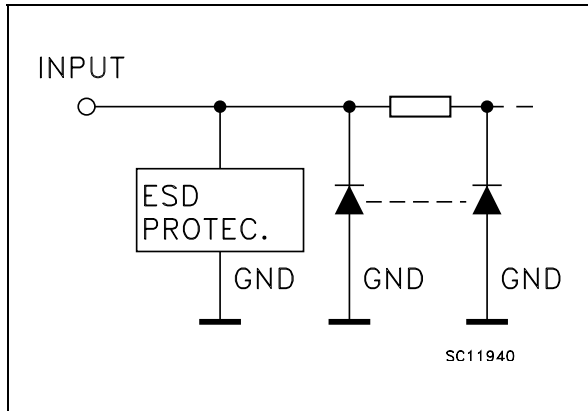


Table 2: Pin Description

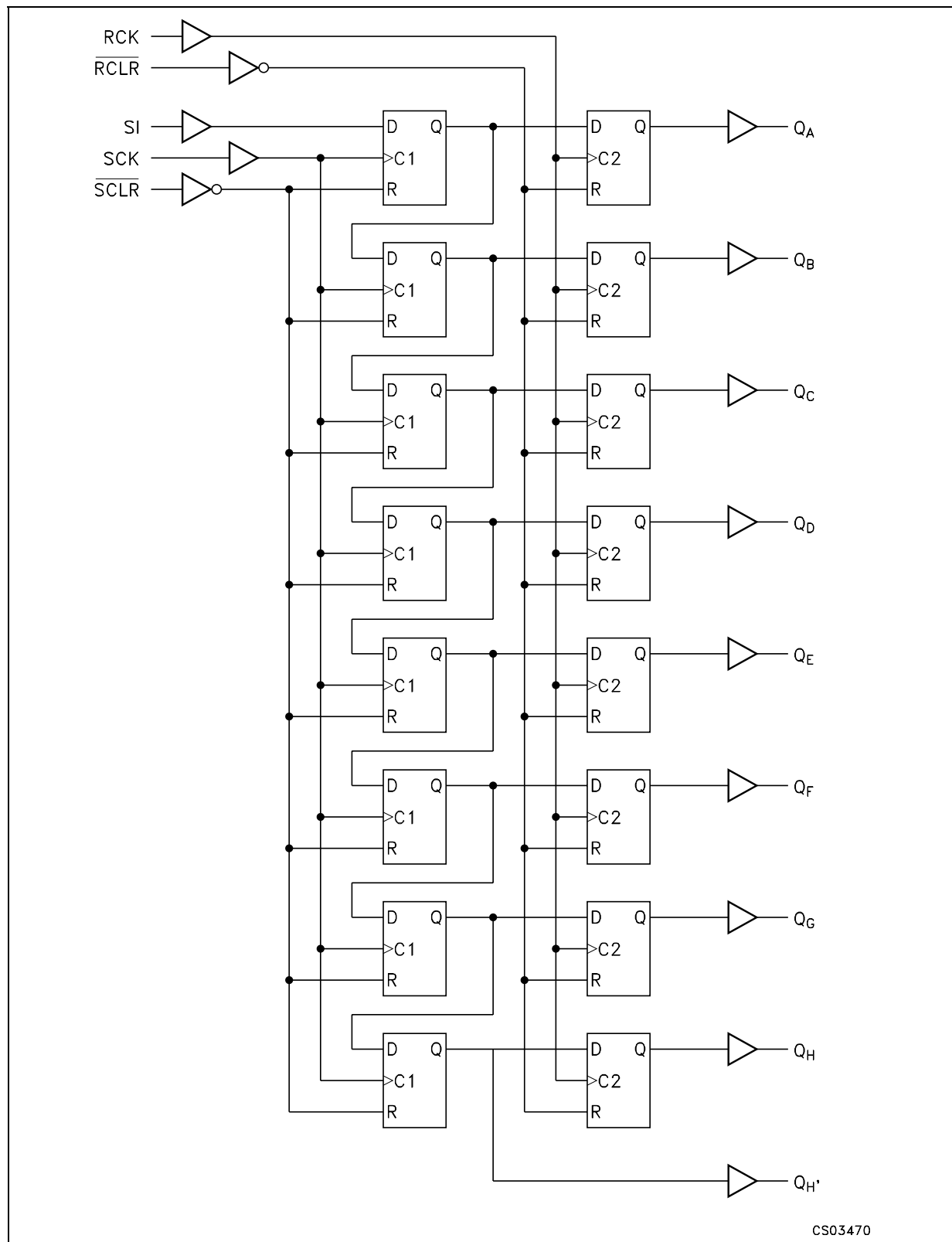
PIN N°	SYMBOL	NAME AND FUNCTION
1, 2, 3, 4, 5, 6, 7, 15	QA to QH	Data Outputs
9	QH'	Serial Data Output
10	SCLR	Shift Register Clear Input
11	SCK	Shift Register Clock Input
13	RCLR	Storage Register Clear Input
14	SI	Serial Data Input
12	RCK	Storage Register Clock Input
8	GND	Ground (0V)
16	V <sub>CC</sub>	Positive Supply Voltage

Table 3: Truth Table

INPUTS					OUTPUTS
SI	SCK	$\overline{\text{SCLR}}$	RCK	$\overline{\text{RCLR}}$	
X	X	L	X	X	SHIFT REGISTER IS CLEAR
L		H	X	X	FIRST STAGE OF SHIFT REGISTER GOES LOW OTHER STAGES STORE THE DATA OF PREVIOUS STAGE, RESPECTIVELY
H		H	X	X	FIRST STAGE OF SHIFT REGISTER GOES HIGH OTHER STAGES STORE THE DATA OF PREVIOUS STAGE, RESPECTIVELY
L		H	X	X	SHIFT REGISTER STATE IS NOT CHANGED
X	X	X	X	L	STORAGE REGISTER IS CLEARED
X	X	X		H	SHIFT REGISTER DATA IS STORED IN THE STORAGE REGISTER
X	X	X		H	STORAGE REGISTER STATE IS NOT CHANGED

X: Don't Care

Figure 3: Logic Diagram



This logic diagram has not be used to estimate propagation delays

Figure 4: Timing Chart

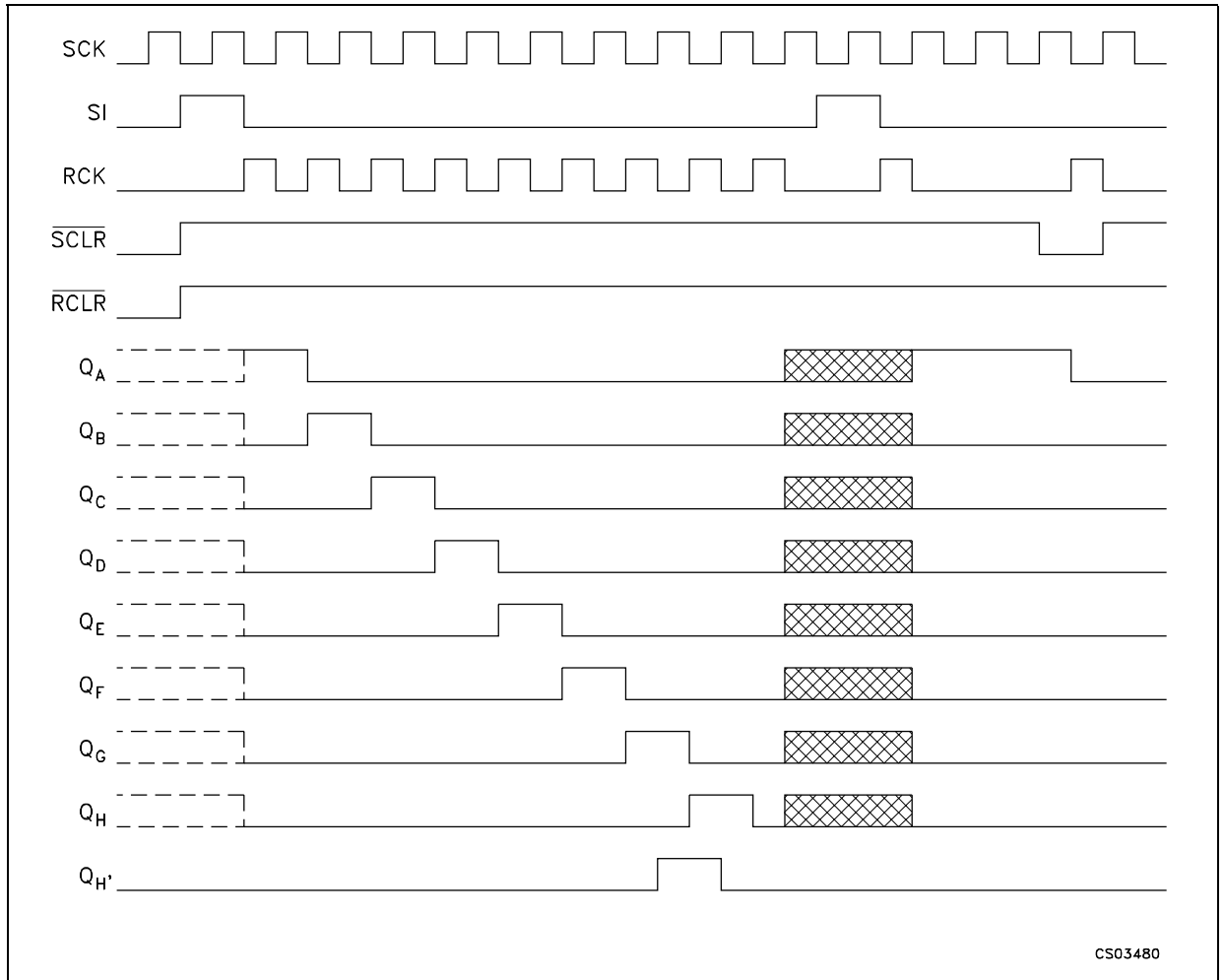


Table 4: Absolute Maximum Ratings

Symbol	Parameter	Value	Unit
$V_{CC}$	Supply Voltage	-0.5 to +7.0	V
$V_I$	DC Input Voltage	-0.5 to +7.0	V
$V_O$	DC Output Voltage	-0.5 to $V_{CC} + 0.5$	V
$I_{IK}$	DC Input Diode Current	- 20	mA
$I_{OK}$	DC Output Diode Current	$\pm 20$	mA
$I_O$	DC Output Current	$\pm 25$	mA
$I_{CC}$ or $I_{GND}$	DC $V_{CC}$ or Ground Current	$\pm 50$	mA
$T_{stg}$	Storage Temperature	-65 to +150	$^{\circ}C$
$T_L$	Lead Temperature (10 sec)	300	$^{\circ}C$

Absolute Maximum Ratings are those values beyond which damage to the device may occur. Functional operation under these conditions is not implied.

Table 5: Recommended Operating Conditions

Symbol	Parameter	Value	Unit
$V_{CC}$	Supply Voltage	2 to 5.5	V
$V_I$	Input Voltage	0 to 5.5	V
$V_O$	Output Voltage	0 to $V_{CC}$	V
$T_{op}$	Operating Temperature	-55 to 125	°C
dt/dv	Input Rise and Fall Time (note 1) ( $V_{CC} = 3.3 \pm 0.3V$ ) ( $V_{CC} = 5.0 \pm 0.5V$ )	0 to 100 0 to 20	ns/V

1)  $V_I$  from 30% to 70% of  $V_{CC}$ 

Table 6: DC Specifications

Symbol	Parameter	Test Condition		Value						Unit	
		$V_{CC}$ (V)		$T_A = 25^\circ C$			-40 to 85°C		-55 to 125°C		
				Min.	Typ.	Max.	Min.	Max.	Min.		Max.
$V_{IH}$	High Level Input Voltage	2.0		1.5			1.5		1.5		V
		3.0 to 5.5		$0.7V_{CC}$			$0.7V_{CC}$		$0.7V_{CC}$		
$V_{IL}$	Low Level Input Voltage	2.0				0.5		0.5		0.5	V
		3.0 to 5.5				$0.3V_{CC}$		$0.3V_{CC}$		$0.3V_{CC}$	
$V_{OH}$	High Level Output Voltage	2.0	$I_O = -50 \mu A$	1.9	2.0		1.9		1.9		V
		3.0	$I_O = -50 \mu A$	2.9	3.0		2.9		2.9		
		4.5	$I_O = -50 \mu A$	4.4	4.5		4.4		4.4		
		3.0	$I_O = -4 mA$	2.58			2.48		2.4		
		4.5	$I_O = -8 mA$	3.94			3.8		3.7		
$V_{OL}$	Low Level Output Voltage	2.0	$I_O = 50 \mu A$		0.0	0.1		0.1		0.1	V
		3.0	$I_O = 50 \mu A$		0.0	0.1		0.1		0.1	
		4.5	$I_O = 50 \mu A$		0.0	0.1		0.1		0.1	
		3.0	$I_O = 4 mA$			0.36		0.44		0.55	
		4.5	$I_O = 8 mA$			0.36		0.44		0.55	
$I_I$	Input Leakage Current	0 to 5.5	$V_I = 5.5V$ or GND			$\pm 0.1$		$\pm 1$		$\pm 1$	$\mu A$
$I_{off}$	Power Off Leakage Current	0	$V_I = 0$ to 5V			$\pm 0.1$		$\pm 5$		$\pm 5$	$\mu A$
$I_{CC}$	Quiescent Supply Current	5.5	$V_I = V_{CC}$ or GND			4		40		40	$\mu A$

Table 7: AC Electrical Characteristics (Input  $t_r = t_f = 3\text{ns}$ )

Symbol	Parameter	Test Condition			Value						Unit
		$V_{CC}$ (V)	$C_L$ (pF)	$T_A = 25^\circ\text{C}$			$-40$ to $85^\circ\text{C}$		$-55$ to $125^\circ\text{C}$		
				Min.	Typ.	Max.	Min.	Max.	Min.	Max.	
$t_{PLH}$ $t_{PHL}$	Propagation Delay Time (RCK - Qn)	3.3 <sup>(*)</sup>	15		4.9	8.2	1.0	8.8	1.0	8.8	ns
		3.3 <sup>(*)</sup>	50		8.1	11.9	1.0	13.1	1.0	13.1	
		5.0 <sup>(**)</sup>	15		4.2	6.5	1.0	6.9	1.0	6.9	
		5.0 <sup>(**)</sup>	50		6.7	8.9	1.0	9.7	1.0	9.7	
$t_{PLH}$ $t_{PHL}$	Propagation Delay Time (SCK - QH')	3.3 <sup>(*)</sup>	15		5.5	9.2	1.0	9.9	1.0	9.9	ns
		3.3 <sup>(*)</sup>	50		8.4	12.5	1.0	13.9	1.0	13.9	
		5.0 <sup>(**)</sup>	15		4.1	7.2	1.0	7.6	1.0	7.6	
		5.0 <sup>(**)</sup>	50		6.0	9.2	1.0	10.1	1.0	10.1	
$t_{PHL}$	Propagation Delay Time (RCLR) - Qn)	3.3 <sup>(*)</sup>	15		6.0	9.8	1.0	10.6	1.0	10.6	ns
		3.3 <sup>(*)</sup>	50		9.0	13.1	1.0	14.4	1.0	14.4	
		5.0 <sup>(**)</sup>	15		4.5	7.6	1.0	8.2	1.0	8.2	
		5.0 <sup>(**)</sup>	50		6.6	10.0	1.0	10.7	1.0	10.7	
$t_{PLH}$ $t_{PHL}$	Propagation Delay Time (SCLR - QH')	3.3 <sup>(*)</sup>	15		5.6	9.2	1.0	10.0	1.0	10.0	ns
		3.3 <sup>(*)</sup>	50		8.5	12.4	1.0	14.0	1.0	14.0	
		5.0 <sup>(**)</sup>	15		4.1	7.1	1.0	7.6	1.0	7.6	
		5.0 <sup>(**)</sup>	50		6.0	9.2	1.0	10.1	1.0	10.1	
$f_{MAX}$	Maximum Clock Frequency	3.3 <sup>(*)</sup>	15		80	120		70		70	MHz
		3.3 <sup>(*)</sup>	50		55	105		50		50	
		5.0 <sup>(**)</sup>	15		135	170		115		115	
		5.0 <sup>(**)</sup>	50		120	140		95		95	
$t_{W(H)}$	Minimum Pulse Width (SCK, RCK)	3.3 <sup>(*)</sup>			5.5			5.5		5.5	ns
		5.0 <sup>(**)</sup>			5.0			5.0		5.0	
$t_{W(L)}$	Minimum Pulse Width (SCLR, RCLR)	3.3 <sup>(*)</sup>			5.0			5.0		5.0	ns
		5.0 <sup>(**)</sup>			5.2			5.2		5.2	
$t_s$	Minimum Set-Up Time (SI - CCK)	3.3 <sup>(*)</sup>			3.5			3.5		3.5	ns
		5.0 <sup>(**)</sup>			3.0			3.0		3.0	
$t_s$	Minimum Set - Up Time (SCK, RCK)	3.3 <sup>(*)</sup>			8.0			8.5		8.5	ns
		5.0 <sup>(**)</sup>			5.0			5.0		5.0	
$t_s$	Minimum Set - Up Time (SCRL - RCK)	3.3 <sup>(*)</sup>			8.0			9.0		9.0	ns
		5.0 <sup>(**)</sup>			5.0			5.0		5.0	
$t_h$	Minimum Hold Time	3.3 <sup>(*)</sup>			1.5			1.5		1.5	ns
		5.0 <sup>(**)</sup>			2.0			2.0		2.0	
$t_{REM}$	Minimum Clear-Removal Time	3.3 <sup>(*)</sup>				3.0			3.0		ns
		5.0 <sup>(**)</sup>				2.5			2.5		

(\*) Voltage range is  $3.3\text{V} \pm 0.3\text{V}$ (\*\*) Voltage range is  $5.0\text{V} \pm 0.5\text{V}$

Table 8: Capacitive Characteristics

Symbol	Parameter	Test Condition	Value						Unit	
			T <sub>A</sub> = 25°C			-40 to 85°C		-55 to 125°C		
			Min.	Typ.	Max.	Min.	Max.	Min.		Max.
C <sub>IN</sub>	Input Capacitance			7						pF
C <sub>OUT</sub>	Output Capacitance			9						pF
C <sub>PD</sub>	Power Dissipation Capacitance (note 1)			70						pF

1) C<sub>PD</sub> is defined as the value of the IC's internal equivalent capacitance which is calculated from the operating current consumption without load. (Refer to Test Circuit). Average operating current can be obtained by the following equation.  $I_{CC(opr)} = C_{PD} \times V_{CC} \times f_{IN} + I_{CC}$

Table 9: Dynamic Switching Characteristics

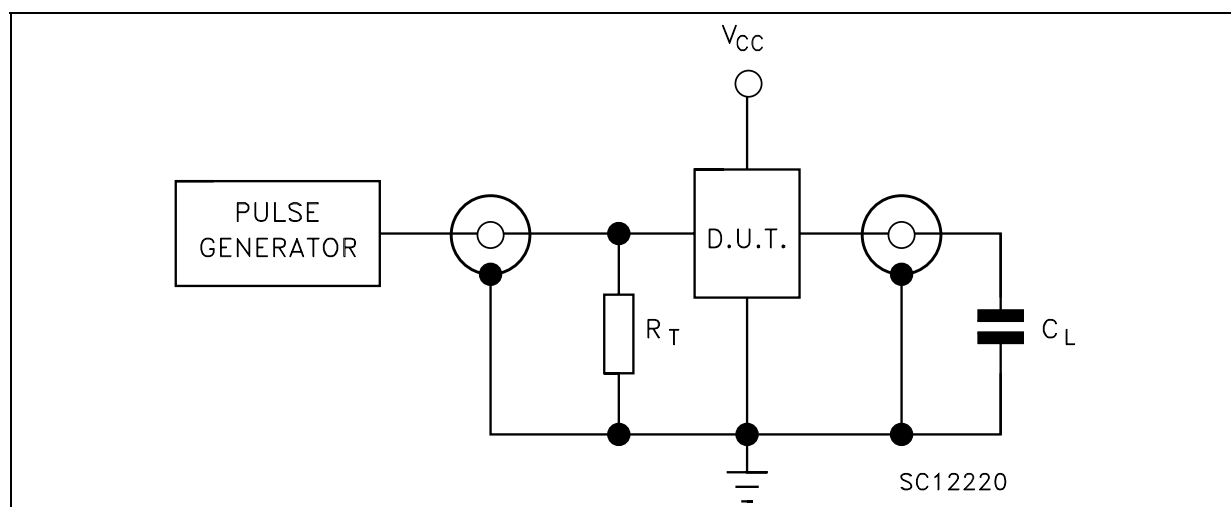
Symbol	Parameter	V <sub>CC</sub> (V)	Test Condition	Value						Unit	
				T <sub>A</sub> = 25°C			-40 to 85°C		-55 to 125°C		
				Min.	Typ.	Max.	Min.	Max.	Min.		Max.
V <sub>OLP</sub>	Dynamic Low Voltage Quiet Output (note 1, 2)	5.0	C <sub>L</sub> = 50 pF		0.9	1.2					V
V <sub>OLV</sub>				-0.9	-1.2						
V <sub>IHD</sub>	Dynamic High Voltage Input (note 1, 3)	5.0		3.5						V	
V <sub>ILD</sub>	Dynamic Low Voltage Input (note 1, 3)	5.0				1.5					V

1) Worst case package.

2) Max number of outputs defined as (n). Data inputs are driven 0V to 5.0V, (n-1) outputs switching and one output at GND.

3) Max number of data inputs (n) switching. (n-1) switching 0V to 5.0V. Inputs under test switching: 5.0V to threshold (V<sub>ILD</sub>), 0V to threshold (V<sub>IHD</sub>), f=1MHz.

Figure 5: Test Circuit



C<sub>L</sub> = 15/50pF or equivalent (includes jig and probe capacitance)

R<sub>T</sub> = Z<sub>OUT</sub> of pulse generator (typically 50Ω)

Figure 6: Waveform - Propagation Delays, Setup And Hold Times (f=1MHz; 50% duty cycle)

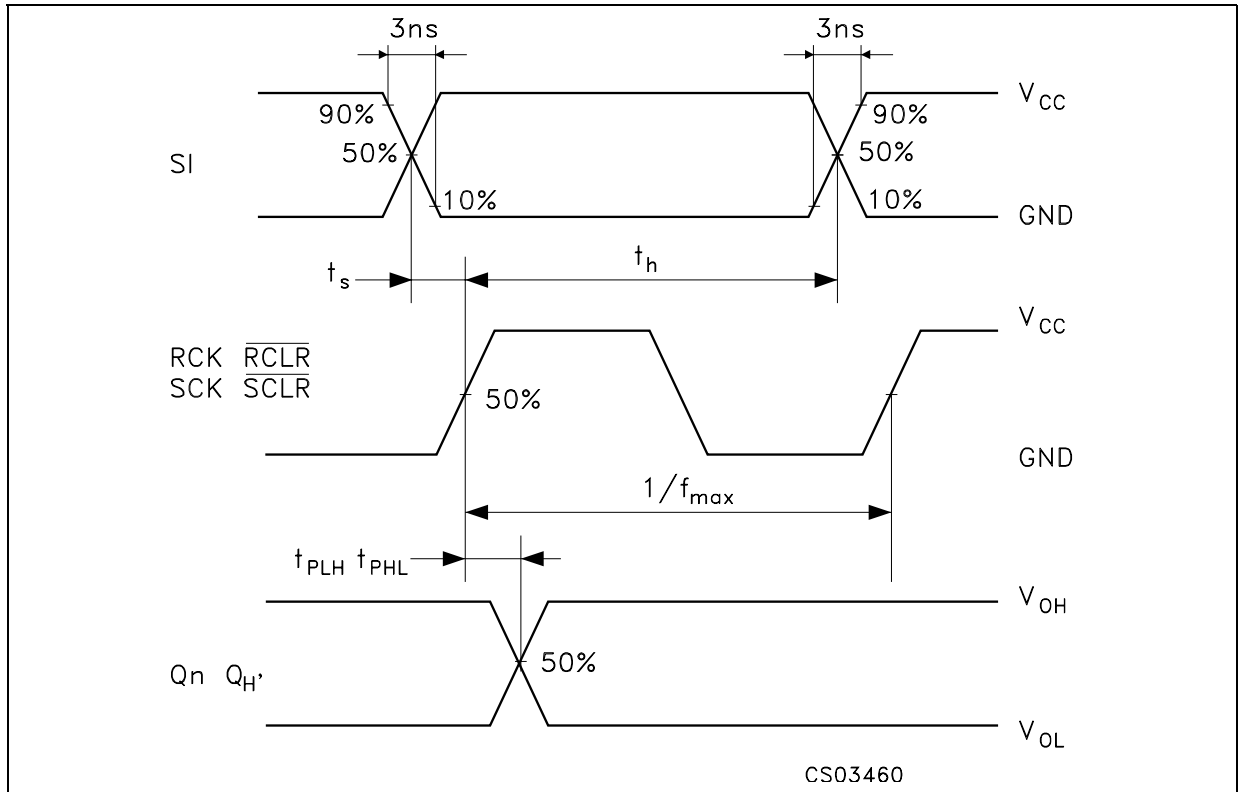
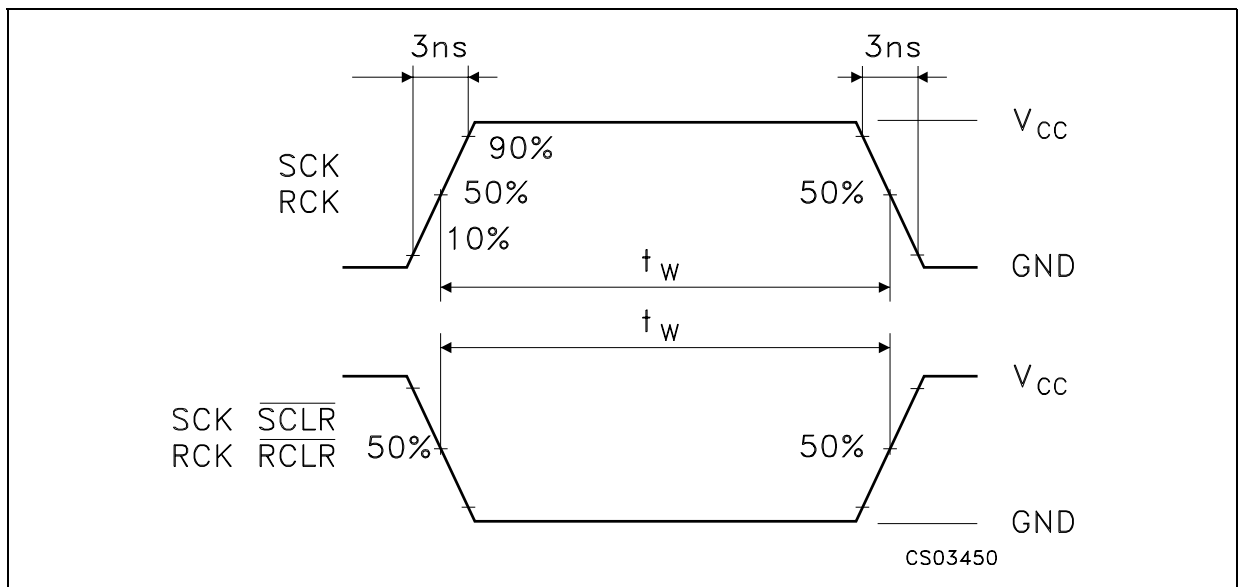


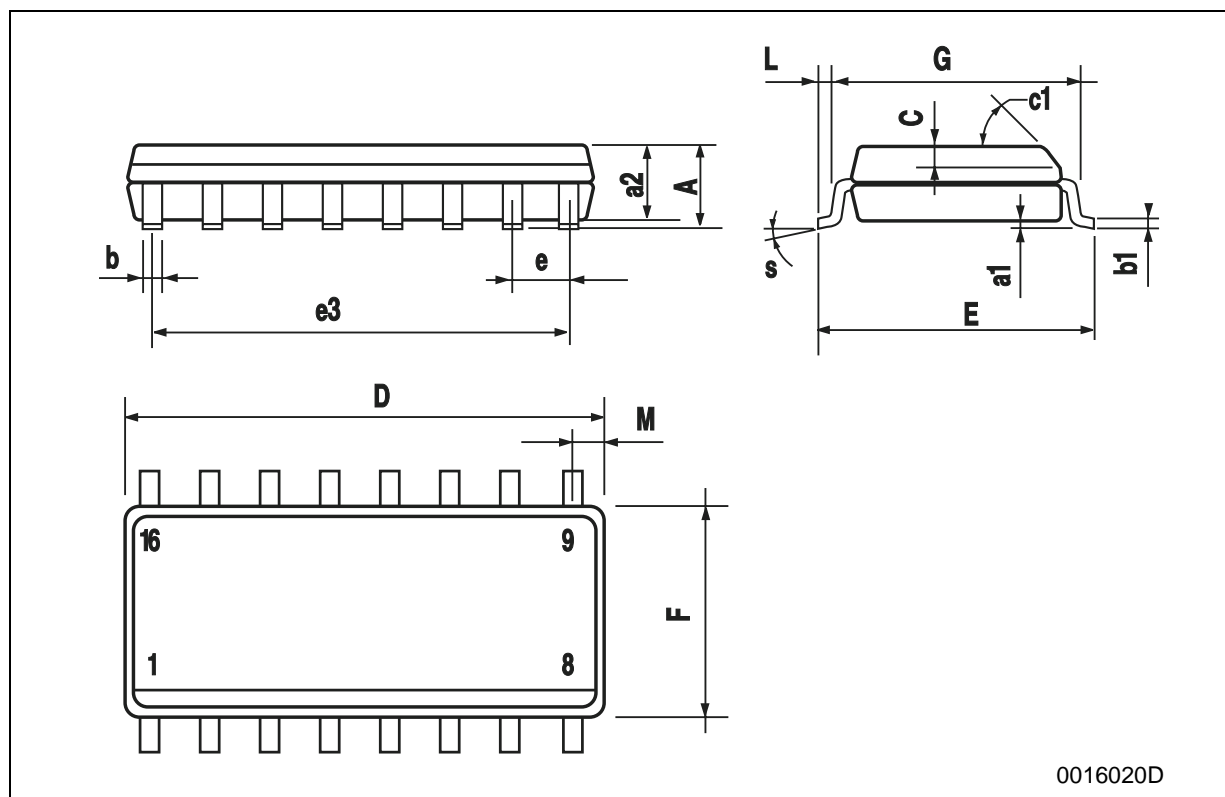
Table 10: Waveform 2: Pulse Width (f=1MHz; 50% duty cycle)





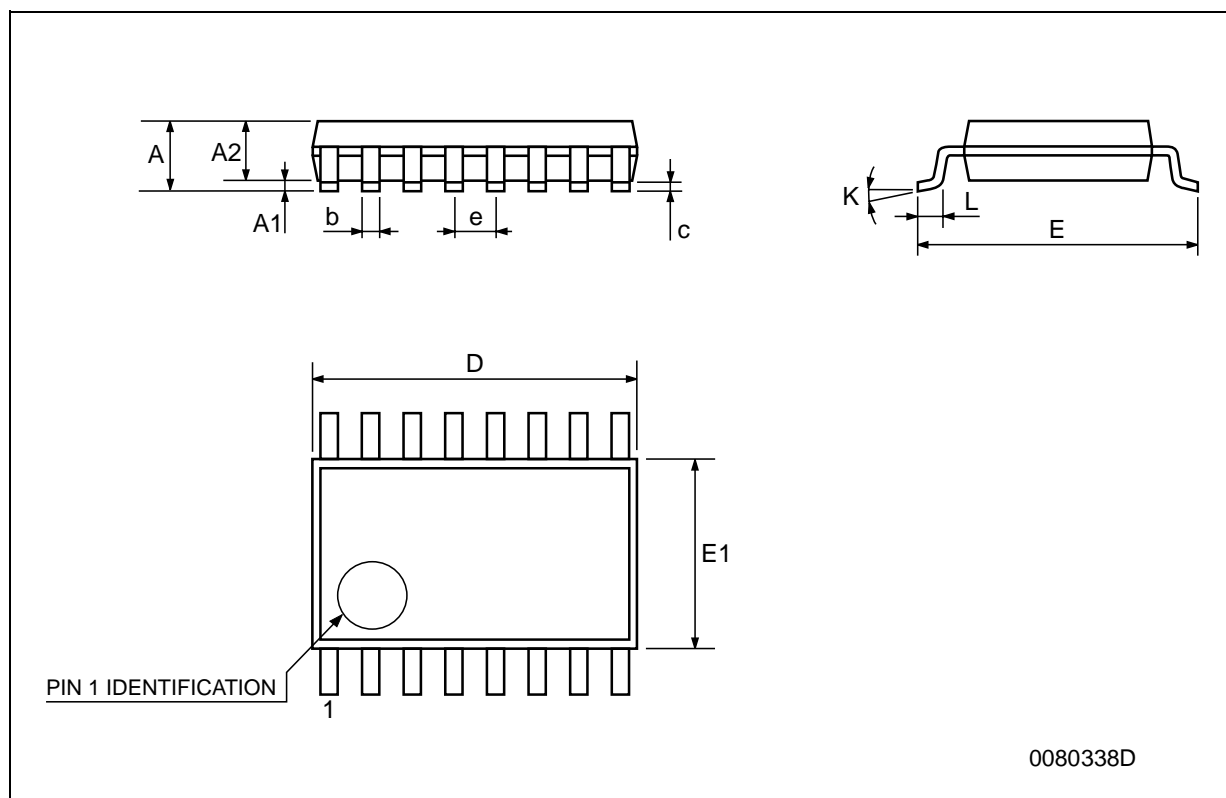
## SO-16 MECHANICAL DATA

DIM.	mm.			inch		
	MIN.	TYP.	MAX.	MIN.	TYP.	MAX.
A			1.75			0.068
a1	0.1		0.25	0.004		0.010
a2			1.64			0.063
b	0.35		0.46	0.013		0.018
b1	0.19		0.25	0.007		0.010
C		0.5			0.019	
c1	45° (typ.)					
D	9.8		10	0.385		0.393
E	5.8		6.2	0.228		0.244
e		1.27			0.050	
e3		8.89			0.350	
F	3.8		4.0	0.149		0.157
G	4.6		5.3	0.181		0.208
L	0.5		1.27	0.019		0.050
M			0.62			0.024
S	8° (max.)					



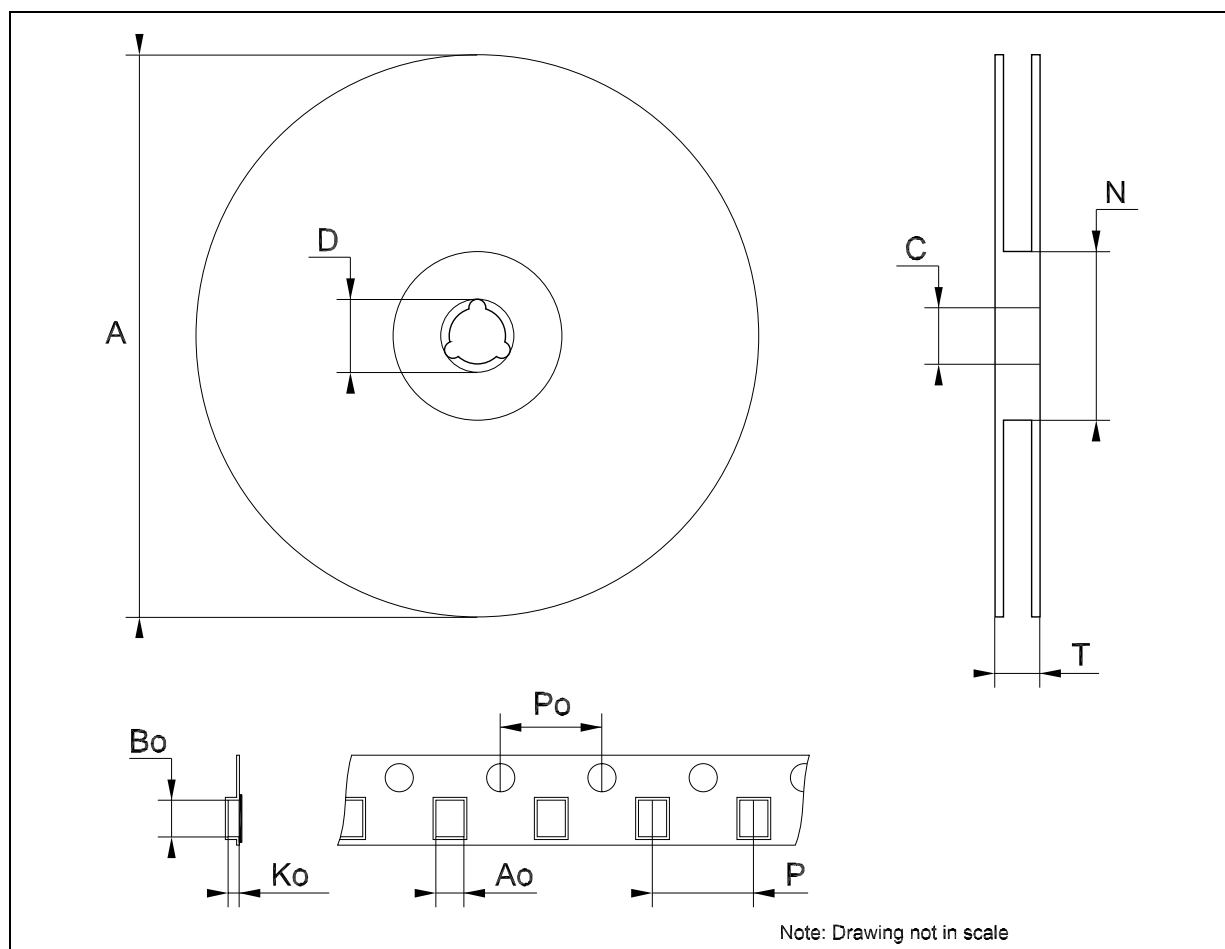
## TSSOP16 MECHANICAL DATA

DIM.	mm.			inch		
	MIN.	TYP	MAX.	MIN.	TYP.	MAX.
A			1.2			0.047
A1	0.05		0.15	0.002	0.004	0.006
A2	0.8	1	1.05	0.031	0.039	0.041
b	0.19		0.30	0.007		0.012
c	0.09		0.20	0.004		0.0079
D	4.9	5	5.1	0.193	0.197	0.201
E	6.2	6.4	6.6	0.244	0.252	0.260
E1	4.3	4.4	4.48	0.169	0.173	0.176
e		0.65 BSC			0.0256 BSC	
K	0°		8°	0°		8°
L	0.45	0.60	0.75	0.018	0.024	0.030



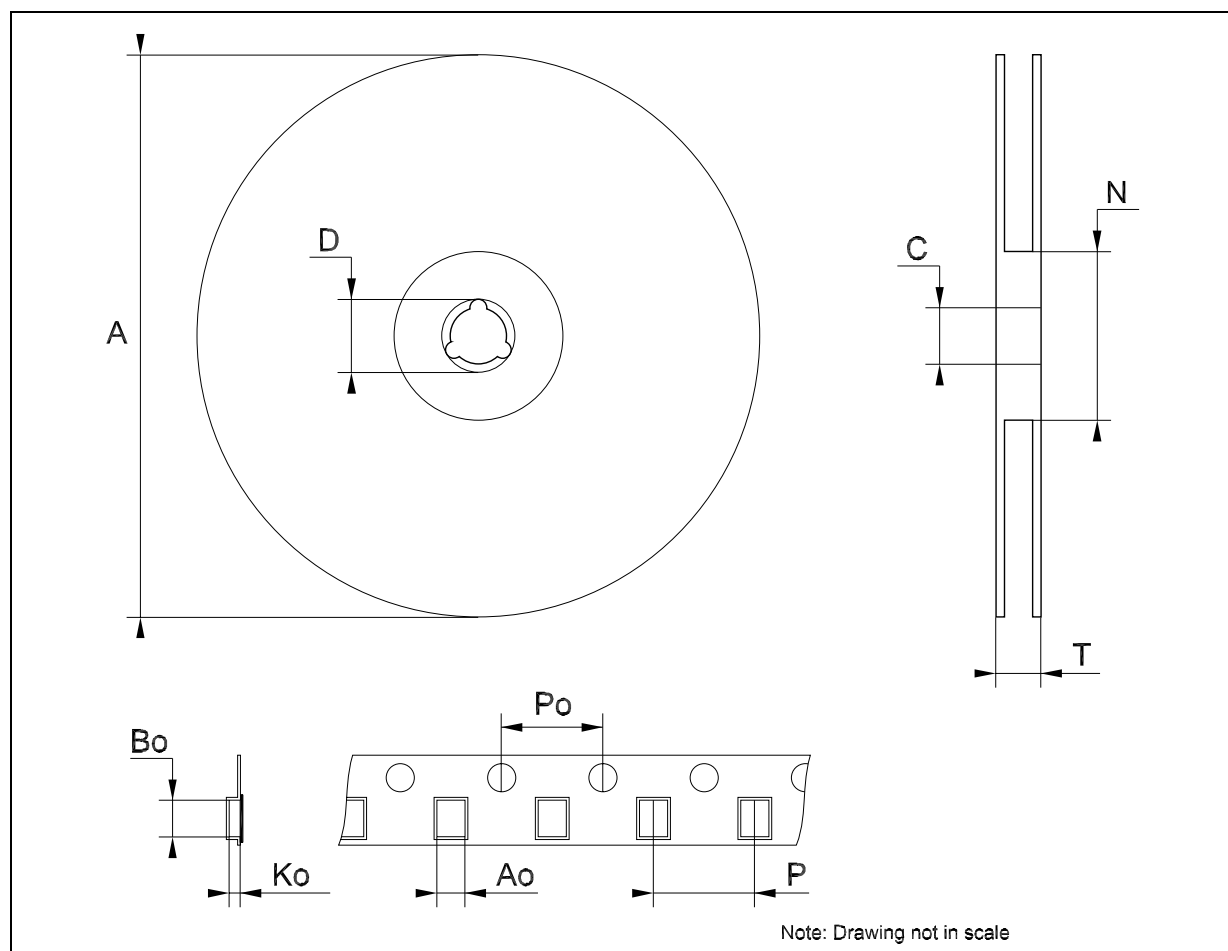
## Tape &amp; Reel SO-16 MECHANICAL DATA

DIM.	mm.			inch		
	MIN.	TYP	MAX.	MIN.	TYP.	MAX.
A			330			12.992
C	12.8		13.2	0.504		0.519
D	20.2			0.795		
N	60			2.362		
T			22.4			0.882
Ao	6.45		6.65	0.254		0.262
Bo	10.3		10.5	0.406		0.414
Ko	2.1		2.3	0.082		0.090
Po	3.9		4.1	0.153		0.161
P	7.9		8.1	0.311		0.319



## Tape &amp; Reel TSSOP16 MECHANICAL DATA

DIM.	mm.			inch		
	MIN.	TYP	MAX.	MIN.	TYP.	MAX.
A			330			12.992
C	12.8		13.2	0.504		0.519
D	20.2			0.795		
N	60			2.362		
T			22.4			0.882
Ao	6.7		6.9	0.264		0.272
Bo	5.3		5.5	0.209		0.217
Ko	1.6		1.8	0.063		0.071
Po	3.9		4.1	0.153		0.161
P	7.9		8.1	0.311		0.319



**Table 11: Revision History**

Date	Revision	Description of Changes
12-Nov-2004	5	Order Codes Revision - pag. 1.

Information furnished is believed to be accurate and reliable. However, STMicroelectronics assumes no responsibility for the consequences of use of such information nor for any infringement of patents or other rights of third parties which may result from its use. No license is granted by implication or otherwise under any patent or patent rights of STMicroelectronics. Specifications mentioned in this publication are subject to change without notice. This publication supersedes and replaces all information previously supplied. STMicroelectronics products are not authorized for use as critical components in life support devices or systems without express written approval of STMicroelectronics.

The ST logo is a registered trademark of STMicroelectronics

All other names are the property of their respective owners

© 2004 STMicroelectronics - All Rights Reserved

STMicroelectronics group of companies

Australia - Belgium - Brazil - Canada - China - Czech Republic - Finland - France - Germany - Hong Kong - India - Israel - Italy - Japan - Malaysia - Malta - Morocco - Singapore - Spain - Sweden - Switzerland - United Kingdom - United States of America

[www.st.com](http://www.st.com)