



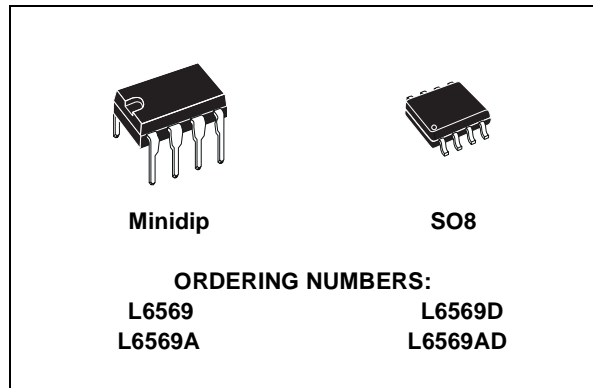
# L6569 L6569A

## HIGH VOLTAGE HALF BRIDGE DRIVER WITH OSCILLATOR

- HIGH VOLTAGE RAIL UP TO 600V
- BCD OFF LINE TECHNOLOGY
- INTERNAL BOOTSTRAP DIODE STRUCTURE
- 15.6V ZENER CLAMP ON  $V_S$
- DRIVER CURRENT CAPABILITY:
  - SINK CURRENT = 270mA
  - SOURCE CURRENT = 170mA
- VERY LOW START UP CURRENT: 150 $\mu$ A
- UNDER VOLTAGE LOCKOUT WITH HYSTERESIS
- PROGRAMMABLE OSCILLATOR FREQUENCY
- DEAD TIME 1.25 $\mu$ s
- $dV/dt$  IMMUNITY UP TO  $\pm 50V/ns$
- ESD PROTECTION

### DESCRIPTION

The device is a high voltage half bridge driver with built in oscillator. The frequency of the oscillator can

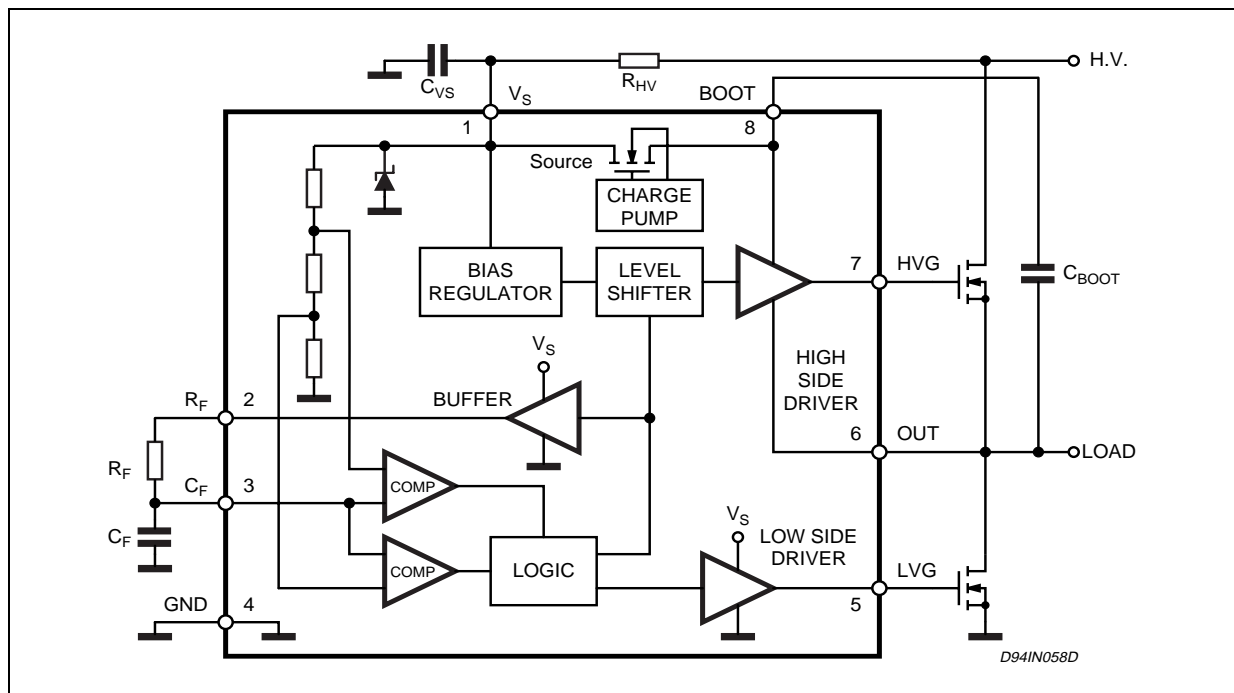


be programmed using external resistor and capacitor. The internal circuitry of the device allows it to be driven also by external logic signal.

The output drivers are designed to drive external n-channel power MOSFET and IGBT. The internal logic assures a dead time [typ. 1.25 $\mu$ s] to avoid cross-conduction of the power devices.

Two version are available: L6569 and L6569A. They differ in the low voltage gate driver start up sequence.

### BLOCK DIAGRAM



**ABSOLUTE MAXIMUM RATINGS**

Symbol	Parameter	Value	Unit
I <sub>S</sub> (*)	Supply Current	25	mA
V <sub>CF</sub>	Oscillator Resistor Voltage	18	V
V <sub>LVG</sub>	Low Side Switch Gate Output	14.6	V
V <sub>OUT</sub>	High Side Switch Source Output	-1 to V <sub>BOOT</sub> - 18	V
V <sub>HVG</sub>	High Side Switch Gate Output	-1 to V <sub>BOOT</sub>	V
V <sub>BOOT</sub>	Floating Supply Voltage	618	V
V <sub>BOOT/OUT</sub>	Floating Supply vs OUT Voltage	18	V
dV <sub>BOOT</sub> /dt	VBOOT Slew Rate (Repetitive)	± 50	V/ns
dV <sub>OUT</sub> /dt	VOUT Slew Rate (Repetitive)	± 50	V/ns
T <sub>stg</sub>	Storage Temperature	-40 to 150	°C
T <sub>j</sub>	Junction Temperature	-40 to 150	°C
T <sub>amb</sub>	Ambient Temperature (Operative)	-40 to 125	°C

(\*)The device has an internal zener clamp between GND and VS (typical 15.6V).Therefore the circuit should not be driven by a DC low impedance power source.

**Note:** ESD immunity for pins 6, 7 and 8 is guaranteed up to 900 V (Human Body Model)

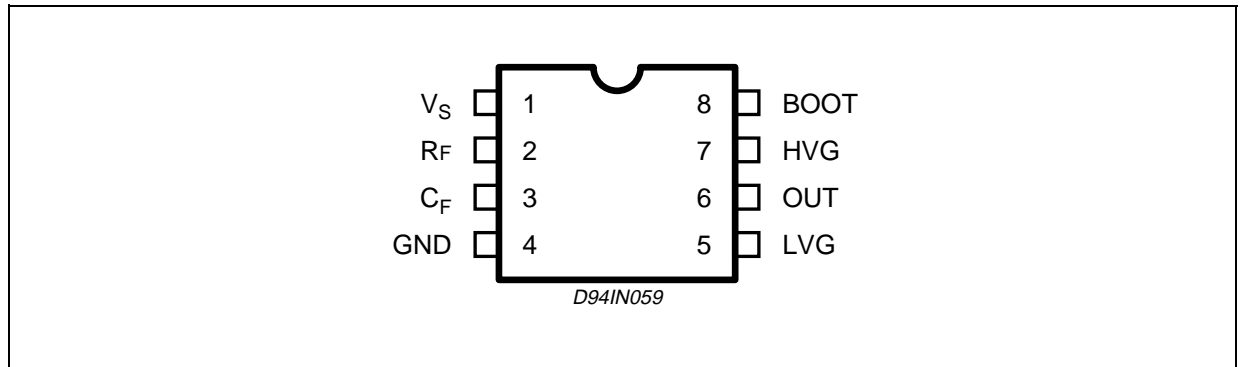
**THERMAL DATA**

Symbol	Parameter	Minidip	SO8	Unit
R <sub>th j-amb</sub>	Thermal Resistance Junction-Ambient Max	100	150	°C/W

**RECOMMENDED OPERATING CONDITIONS**

Symbol	Parameter	Min.	Max.	Unit
V <sub>S</sub>	Supply Voltage	10	V <sub>CL</sub>	V
V <sub>BOOT</sub>	Floating Supply Voltage	-	500	V
V <sub>OUT</sub>	High Side Switch Source Output	-1	V <sub>BOOT</sub> - V <sub>CL</sub>	V
f <sub>out</sub>	Oscillation Frequency		200	kHz

**PIN CONNECTION**



## PIN FUNCTION

N°	Pin	Description
1	VS	Supply input voltage with internal clamp [typ. 15.6V]
2	RF	Oscillator timing resistor pin. A buffer set alternatively to $V_S$ and GND can provide current to the external resistor $R_F$ connected between pin 2 and 3. Alternatively, the signal on pin 2 can be used also to drive another IC (i.e. another L6569 to drive a full H-bridge)
3	CF	Oscillator timing capacitor pin. A capacitor connected between this pin and GND fixes (together with $R_F$ ) the oscillating frequency Alternatively an external logic signal can be applied to the pin to drive the IC.
4	GND	Ground
5	LVG	Low side driver output. The output stage can deliver 170mA source and 270mA sink [typ.values].
6	OUT	Upper driver floating reference
7	HVG	High side driver output. The output stage can deliver 170mA source and 270mA sink [typ.values].
8	BOOT	Bootstrap voltage supply. It is the upper driver floating supply. The bootstrap capacitor connected between this pin and pin 6 can be fed by an internal structure named "bootstrap driver" (a patented structure). This structure can replace the external bootstrap diode.

ELECTRICAL CHARACTERISTICS ( $V_S = 12V$ ;  $V_{BOOT} - V_{OUT} = 12V$ ;  $T_j = 25^\circ C$ ; unless otherwise specified.)

Symbol	Pin	Parameter	Test Condition	Min.	Typ.	Max.	Unit
$V_{SUV P}$	1	VS Turn On Threshold		8.3	9	9.7	V
$V_{SUV N}$		VS Turn Off Threshold		7.3	8	8.7	V
$V_{SUV H}$		VS Hysteresis		0.7	1	1.3	V
$V_{CL}$		VS Clamping Voltage	$I_S = 5mA$	14.6	15.6	16.6	V
$I_{SU}$		Start Up Current	$V_S < V_{SUV N}$		150	250	$\mu A$
$I_q$		Quiescent Current	$V_S > V_{SUV P}$		500	700	$\mu A$
$I_{BOOTLK}$	8	Leakage Current BOOT pin vs GND	$V_{BOOT} = 580V$			5	$\mu A$
$I_{OUTLK}$	6	Leakage Current OUT pin vs GND	$V_{OUT} = 562V$			5	$\mu A$
$I_{HVG SO}$	7	High Side Driver Source Current	$V_{HVG} = 6V$	110	175		mA
$I_{HVG SI}$		High Side Driver Sink Current	$V_{HVG} = 6V$	190	275		mA
$I_{LVG SO}$	5	Low Side Driver Source Current	$V_{LVG} = 6V$	110	175		mA
$I_{LVG SI}$		Low Side Driver Sink Current	$V_{LVG} = 6V$	190	275		mA

**ELECTRICAL CHARACTERISTICS (continued)**

Symbol	Pin	Parameter	Test Condition	Min.	Typ.	Max.	Unit
V <sub>RFO</sub> N	2	RF High Level Output Voltage	I <sub>RF</sub> = 1mA	V <sub>S</sub> -0.05		V <sub>S</sub> -0.2	V
V <sub>RF OFF</sub>		RF Low Level Output Voltage	I <sub>RF</sub> = -1mA	50		200	mV
V <sub>CFU</sub>	3	CF Upper Threshold		7.7	8	8.2	V
V <sub>CFL</sub>		CF Lower Threshold		3.80	4	4.3	V
t <sub>d</sub>		Internal Dead Time		0.85	1.25	1.65	μs
DC		Duty Cycle, Ratio Between Dead Time + Conduction Time of High Side and Low Side Drivers		0.45	0.5	0.55	
R <sub>ON</sub>		On resistance of Bootstrap LDMOS			120		Ω
V <sub>BC</sub>		Bootstrap Voltage before UVLO	V <sub>S</sub> = 8.2	2.5	3.6		V
I <sub>AVE</sub>	1	Average Current from V <sub>S</sub>	No Load, f <sub>s</sub> = 60KHz		1.2	1.5	mA
f <sub>out</sub>	6	Oscillation Frequency	R <sub>T</sub> = 12K; C <sub>T</sub> = 1nF	57	60	63	kHz

**OSCILLATOR FREQUENCY**

The frequency of the internal oscillator can be programmed using external resistor and capacitor.

The nominal oscillator frequency can be calculated using the following equation:

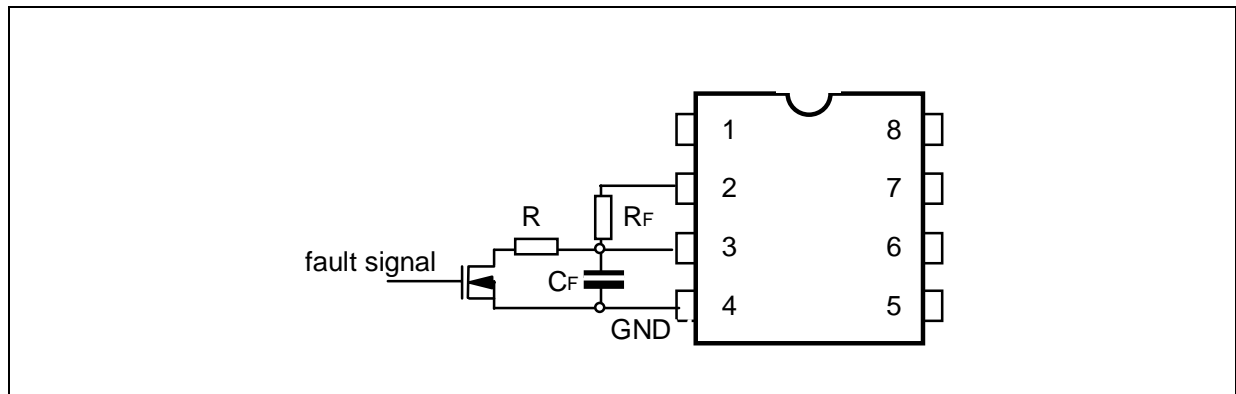
$$f_{OSC} = \frac{1}{2 \cdot R_F \cdot C_F \cdot \ln 2} = \frac{1}{1.3863 \cdot R_F \cdot C_F}$$

Where R<sub>F</sub> and C<sub>F</sub> are the external resistor and capacitor.

The device can be driven in "shut down" condition keeping the C<sub>F</sub> pin close to GND, but some cares have to be taken:

1. When C<sub>F</sub> is to GND the high side driver is off and the low side is on
2. The forced discharge of the oscillator capacitor C<sub>F</sub> must not be shorter than 1us: a simple way to do this is to limit the current discharge with a resistive path imposing R · C<sub>F</sub> > 1μs (see fig.1)

**Figure 1.**



### Bootstrap Function

The L6569 has an internal Bootstrap structure that enables the user to avoid the external diode needed, in similar devices, to perform the charge of the bootstrap capacitor that, in turns, provide an appropriate driving to the Upper External Mosfet.

The operation is achieved with an unique structure (patented) that uses a High Voltage Lateral DMOS driven by an internal charge pump (see Block Diagram) and synchronized, with a 50 nsec delay, with the Low Side Gate driver (LVG pin), actually working as a synchronous rectifier .

The charging path for the Bootstrap capacitor is closed via the Lower External Mosfet that is driven ON (i.e. LVG High) for a time interval:

$$T_C = R_F \cdot C_F \cdot \ln 2 \rightarrow 1.1 \cdot R_F \cdot C_F$$

starting from the time the Supply Voltage  $V_S$  has reached the Turn On Voltage ( $V_{SUVVP} = 9\text{ V}$  typical value).

After time  $T_1$  (see waveform Diagram) the LDMOS that charges the Bootstrap Capacitor, is on with a  $R_{ON}=120\Omega$  (typical value).

In the L6569A a different start up procedure is followed (see waveform Diagram). The Lower External Mosfet is drive OFF until  $V_S$  has reached the Turn On Threshold ( $V_{SUVPP}$ ), then again the  $T_C$  time interval starts as above.

Being the LDMOS used to implement the bootstrap operation a "bi-directional" switch the current flowing into the BOOT pin (pin 8) can lead an undue stress to the LDMOS itself if a ZERO VOLTAGE SWITCHING operations is not ensured, and then an high voltage is applied to the BOOT pin. This condition can occur, for example, when the load is removed and an high resistive value is placed in series with the gate of the external Power Mos. To help the user to secure his design a SAFE OPERATING AREA for the Bootstrap LDMOS is provided (fig. 7).

Let's consider the steps that should be taken.

1) Calculate the Turn on delay (  $t_d$  ) of your Lower Power MOS:

$$t_d = (R_g + R_{id}) \cdot C_{iss} \cdot \ln \left[ \frac{1}{1 - \frac{V_{TH}}{V_S}} \right]$$

2) Calculate the Fall time (  $t_f$  ) of your Lower Power MOS:

$$t_f = \frac{R_g + R_{id}}{V_S - V_{TH}} \cdot Q_{gd}$$

where:

$R_g$  = External gate resistor

$R_{id} = 50\Omega$ , typical equivalent output resistance of the driving buffer (when sourcing current)

$V_{TH}$ ,  $C_{iss}$  and  $Q_{gd}$  are Power MOS parameters

$V_S$  = Low Voltage Supply.

3) Sketch the VBOOT waveform (using log-log scales) starting from the Drain Voltage of the Lower Power MOS (remember to add the  $V_S$ , your Low Voltage Supply, value) on the Bootstrap LDMOS SOA . On fig. 8 an example is given where:

$V_S$  = Low Voltage Supply

$V_{HV}$  = High Voltage Supply Rail

The  $V_{BOOT}$  voltage swing must fall below the curve identified by the actual operating frequency of your application.

**DEMO BOARD**

To allow an easy evaluation of the device, a P.C. board dedicated to lamp ballast application has been designed.

Fig.11 shows the electrical schematic of a typical ballast application, while the PC and component layout is given in Fig12. This application has been designed to work with both the 110+/-20%V and the 220 +/- 20%V mains by means of a voltage doubler configuration at the bulk capacitor. The ballast inductance and the operating frequency are especially designed for a 18 W Sylvania De-luxe T/E type bulb. The PTC for preheat at the start up and the two back to back synchronization diodes, makes this application easy to implement and safe in operation.

<b>part</b>	<b>value</b>
R1	15ohm 1W
R2, R3	22 ohm
R4	27K
R5	100K 1/2W
R6	47ohm
R7, R9	180K
R8	120K 1/2W
D1	18V zener
D2, D3	BYW100-100
D4,D5,D6,D7	1N4007
D8	1N4148
C1	560pF 50V
C2, C5	47µF 250V
C3	4.7µF 25V
C4	100nF 50V
C6	100nF 250V
C7-C8	8.2nF 630V
C9	470pF 630V
RV1	PTC 150ohm
Q1, Q2	STD2NB50-1
L1	2.4mH

Figure 2. Waveforms (L6569)

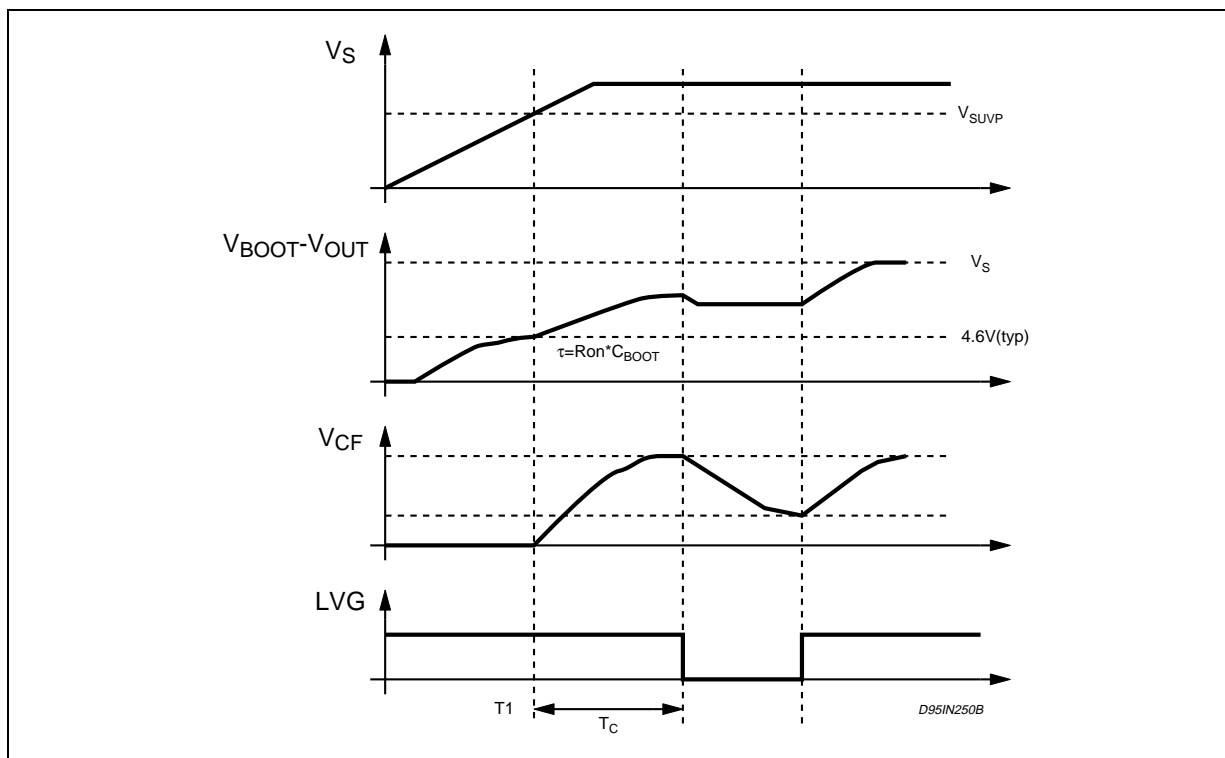
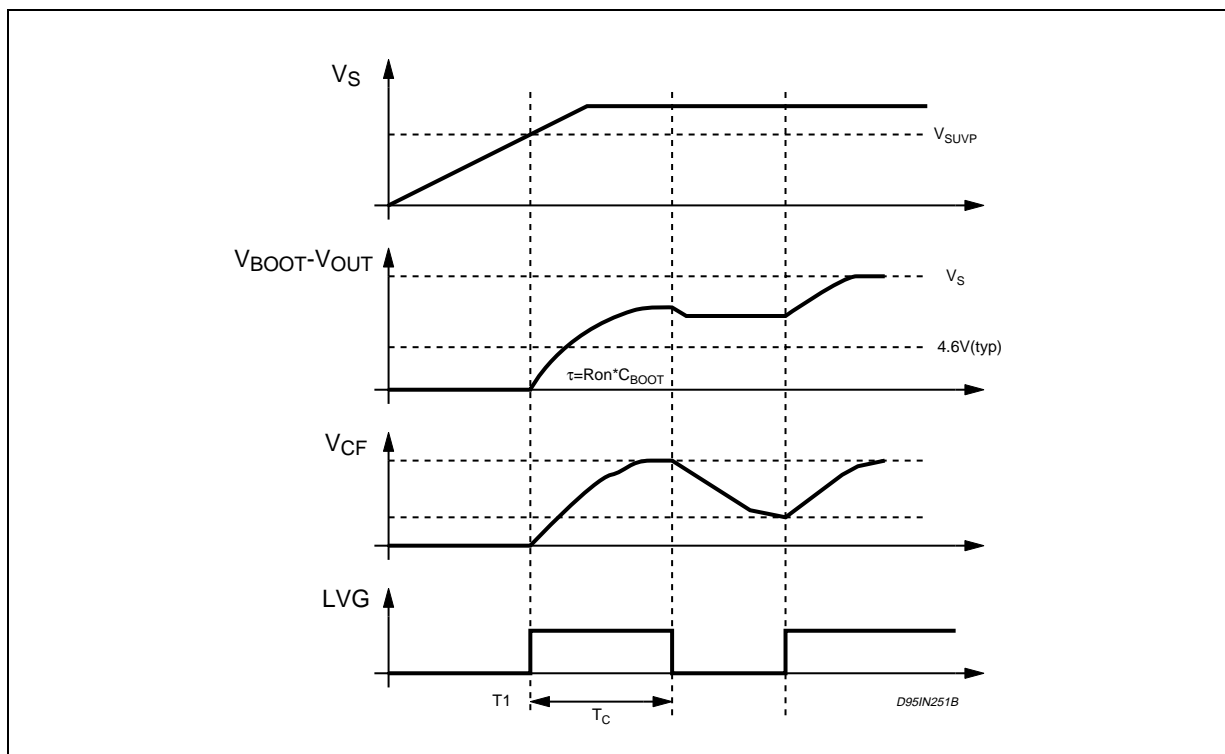
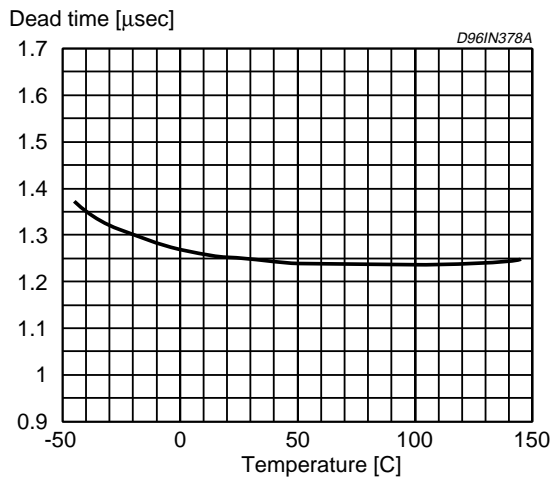


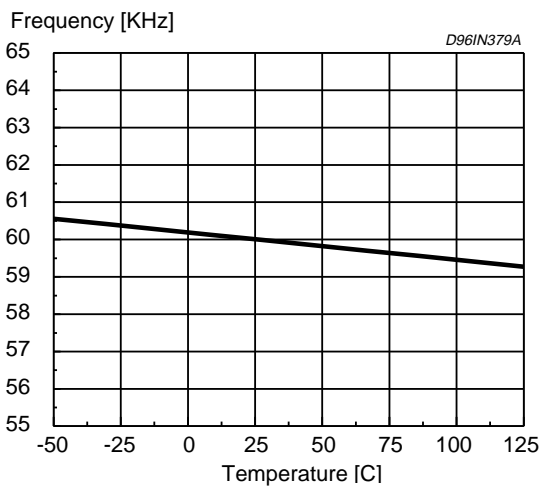
Figure 3. Waveforms (L6569A)



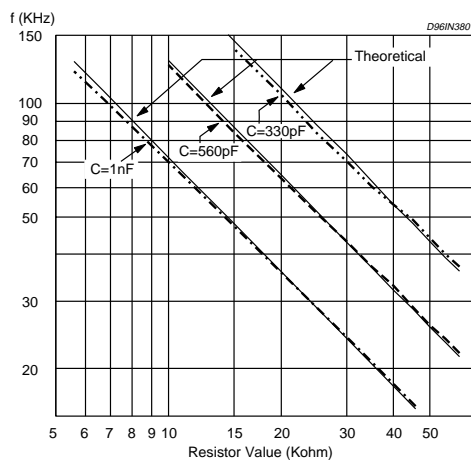
**Figure 4. Typical Dead Time vs. Temperature Dependency**



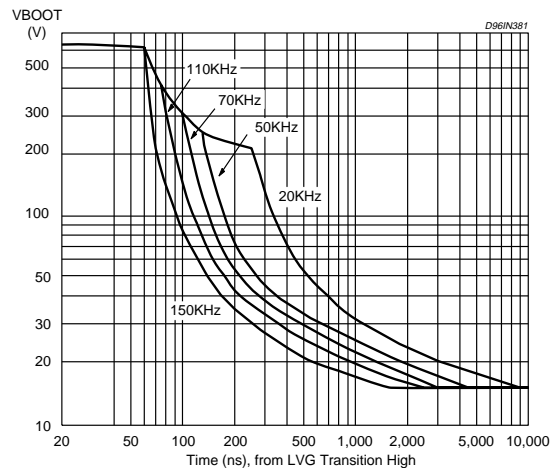
**Figure 5. Typical Frequency vs. Temperature Dependency**



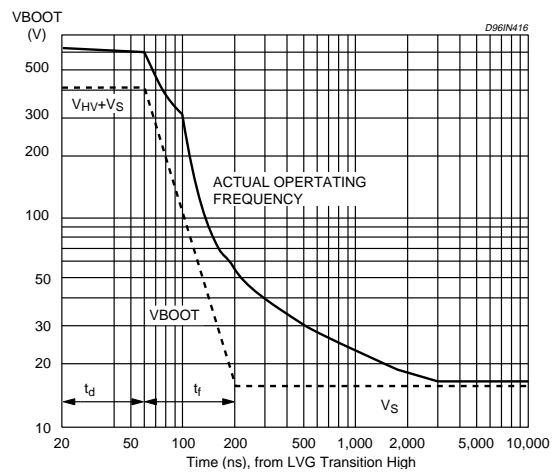
**Figure 6. Typical and Theoretical Oscillator Frequency vs. Resistor Value**



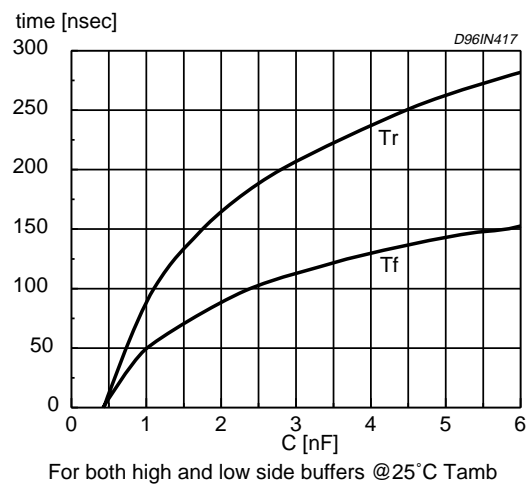
**Figure 7. V<sub>boot</sub> pin SOA for different Operating Frequency @ T<sub>j</sub> = 125°C**



**Figure 8. V<sub>boot</sub> pin SOA @ T<sub>j</sub> = 125°C**



**Figure 9. Typical Rise and Fall Times vs. Load Capacitance**



For both high and low side buffers @25°C Tamb



Figure 10. Quiescent Current vs. Supply Voltage.

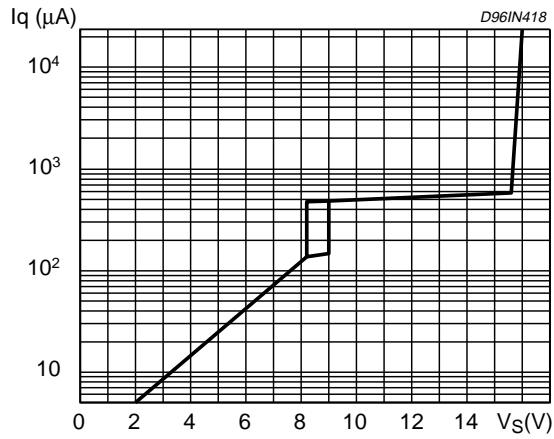


Figure 11. CFL Demoboard 110/220V Inputs.

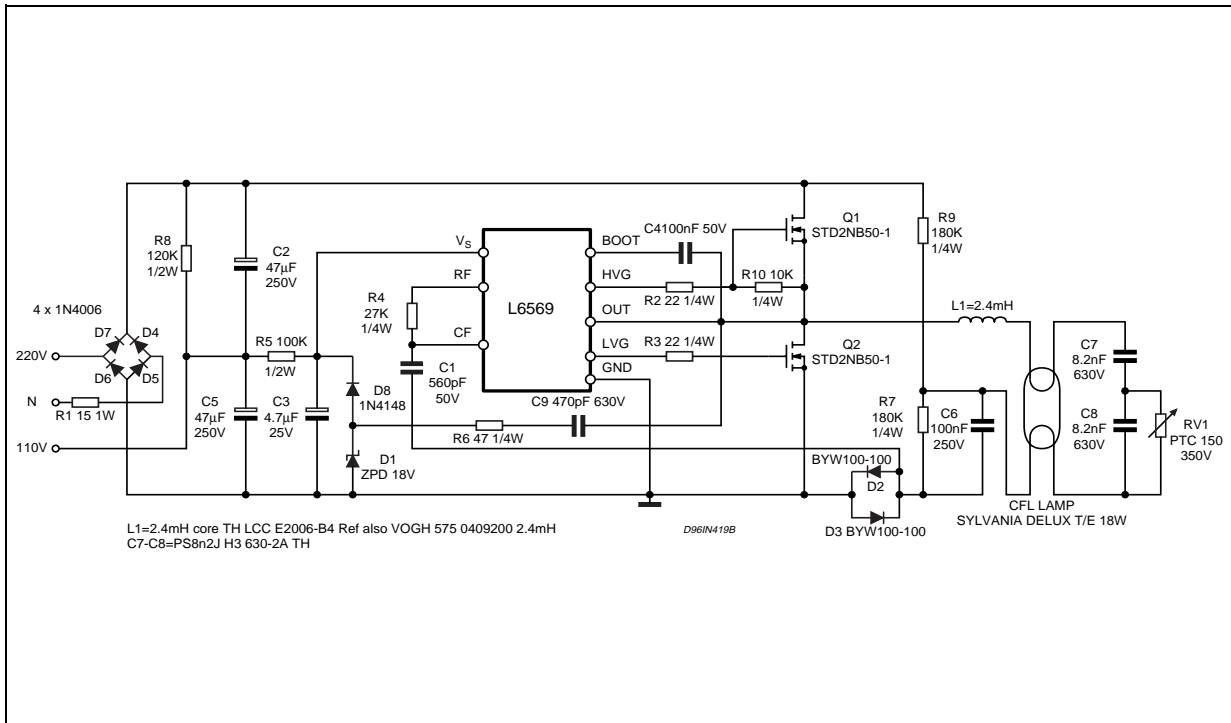
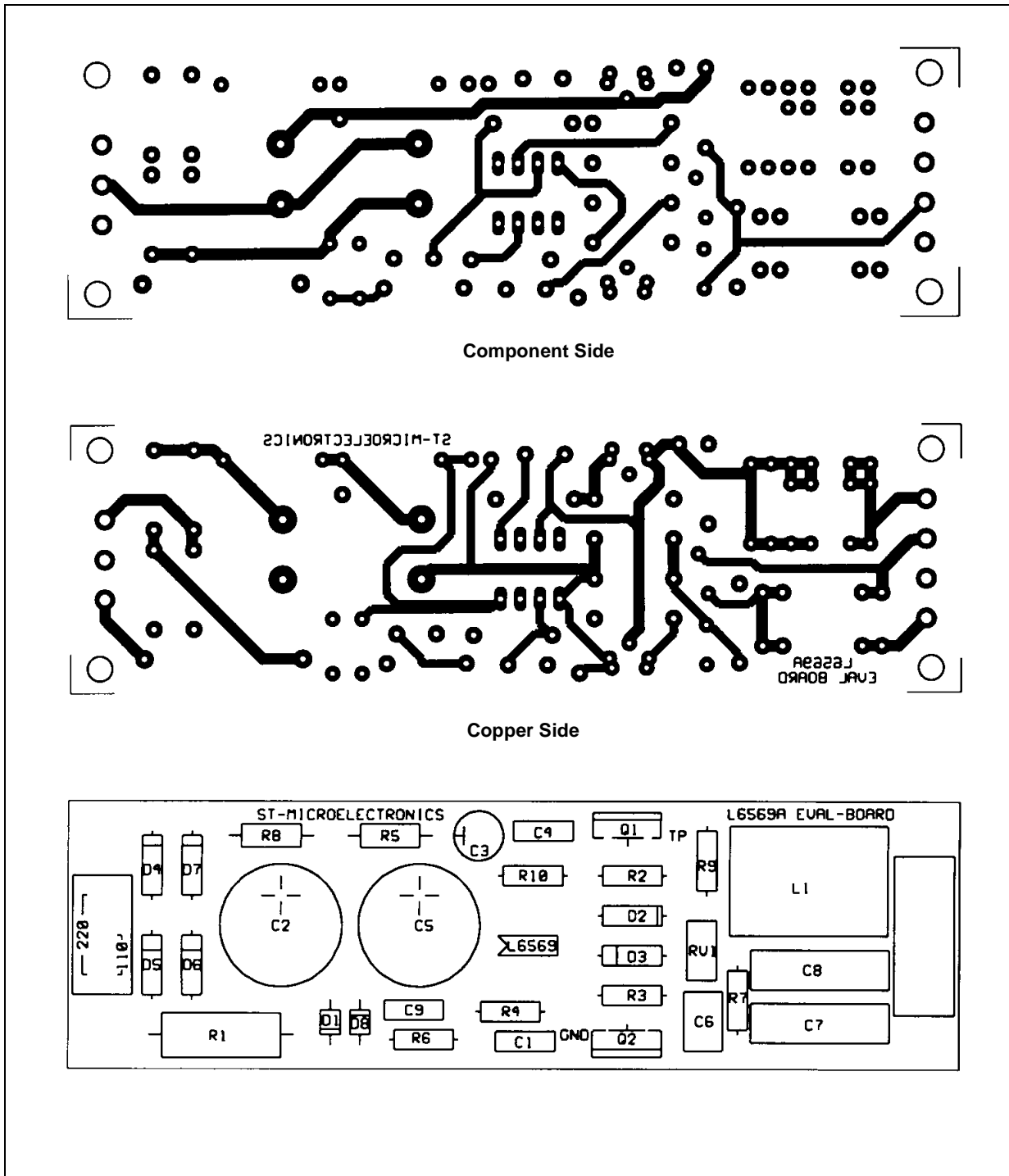
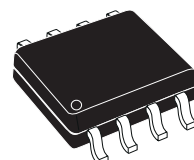


Figure 12. PC Board and Components Layout.



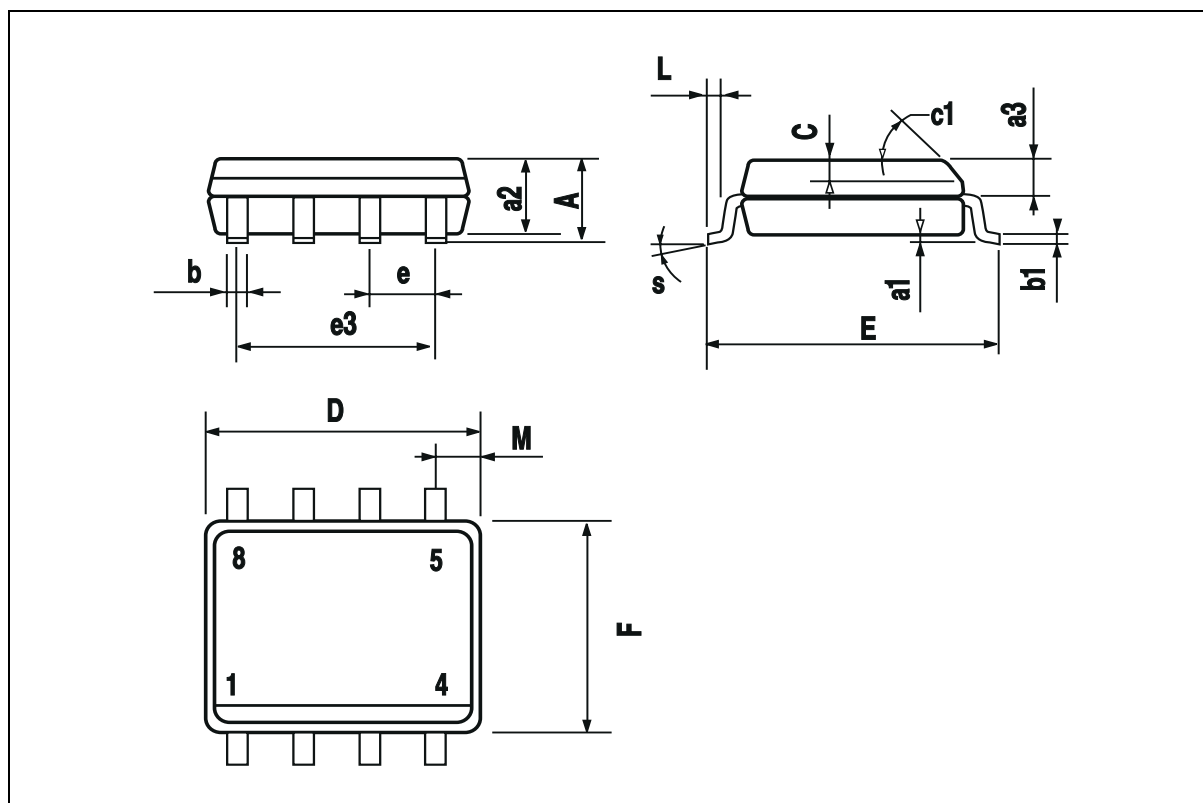
DIM.	mm			inch		
	MIN.	TYP.	MAX.	MIN.	TYP.	MAX.
A			1.75			0.069
a1	0.1		0.25	0.004		0.010
a2			1.65			0.065
a3	0.65		0.85	0.026		0.033
b	0.35		0.48	0.014		0.019
b1	0.19		0.25	0.007		0.010
C	0.25		0.5	0.010		0.020
c1	45° (typ.)					
D (1)	4.8		5.0	0.189		0.197
E	5.8		6.2	0.228		0.244
e		1.27			0.050	
e3		3.81			0.150	
F (1)	3.8		4.0	0.15		0.157
L	0.4		1.27	0.016		0.050
M			0.6			0.024
S	8° (max.)					

## OUTLINE AND MECHANICAL DATA



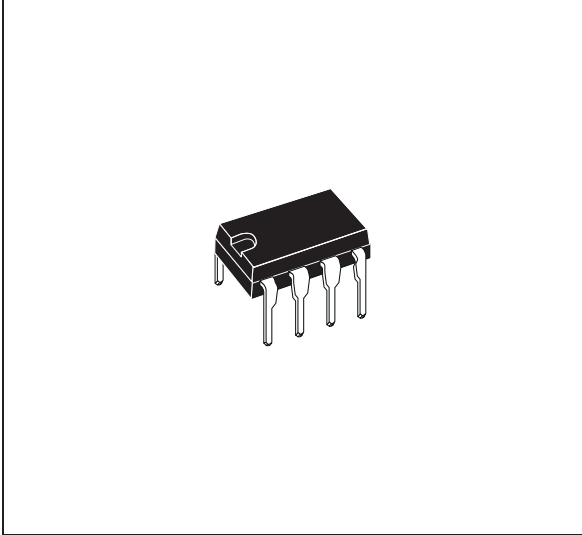
**SO8**

(1) D and F do not include mold flash or protrusions. Mold flash or protrusions shall not exceed 0.15mm (.006inch).

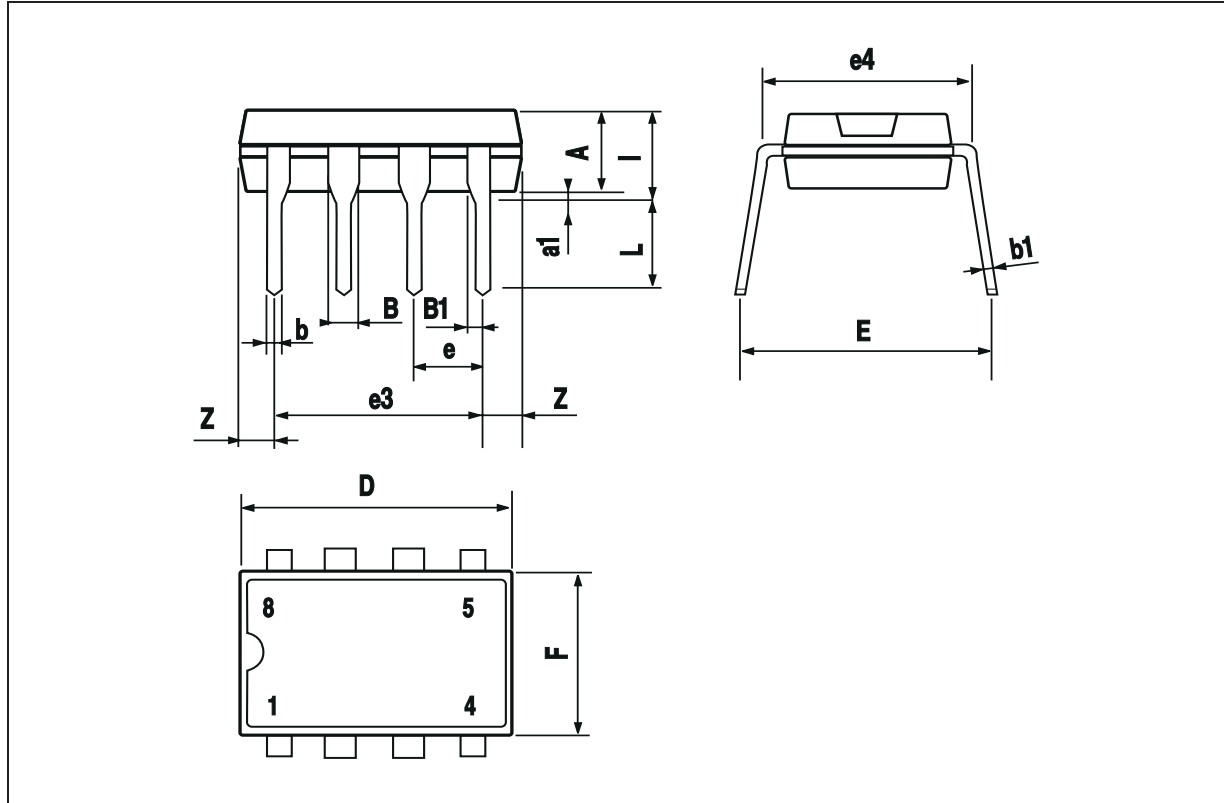


DIM.	mm			inch		
	MIN.	TYP.	MAX.	MIN.	TYP.	MAX.
A		3.32			0.131	
a1	0.51			0.020		
B	1.15		1.65	0.045		0.065
b	0.356		0.55	0.014		0.022
b1	0.204		0.304	0.008		0.012
D			10.92			0.430
E	7.95		9.75	0.313		0.384
e		2.54			0.100	
e3		7.62			0.300	
e4		7.62			0.300	
F			6.6			0.260
I			5.08			0.200
L	3.18		3.81	0.125		0.150
Z			1.52			0.060

**OUTLINE AND MECHANICAL DATA**



**Minidip**



Information furnished is believed to be accurate and reliable. However, STMicroelectronics assumes no responsibility for the consequences of use of such information nor for any infringement of patents or other rights of third parties which may result from its use. No license is granted by implication or otherwise under any patent or patent rights of STMicroelectronics. Specifications mentioned in this publication are subject to change without notice. This publication supersedes and replaces all information previously supplied. STMicroelectronics products are not authorized for use as critical components in life support devices or systems without express written approval of STMicroelectronics.

The ST logo is a registered trademark of STMicroelectronics  
© 2000 STMicroelectronics - All Rights Reserved

STMicroelectronics GROUP OF COMPANIES  
Australia - Brazil - China - Finland - France - Germany - Hong Kong - India - Italy - Japan - Malaysia - Malta - Morocco - Singapore - Spain  
- Sweden - Switzerland - United Kingdom - U.S.A.  
<http://www.st.com>

