



LM119-LM219-LM319

High speed dual comparators

Features

- Two independent comparators
- Supply voltage: +5V to $\pm 15V$
- Typically 80ns response time at $\pm 15V$
- Minimum fan-out of 2 each side
- Maximum input current of $1\mu A$ over operating temperature range
- Inputs and outputs can be isolated from system ground
- High common-mode slew rate

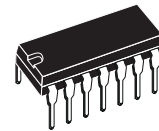
Description

These products are precision high speed dual comparators designed to operate over a wide range of supply voltages down to a single 5V logic supply and ground. They feature low input currents and high gains.

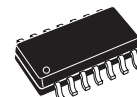
The open collector of the output stage makes it compatible with TTL as well as capable of driving lamps and relays at currents up to 25mA.

Although designed primarily for applications requiring operation from digital logic supplies, the comparators are fully specified for power supplies up to $\pm 15V$.

They feature faster response than LM111 at the expense of higher current consumption. However, the high speed, wide operating voltage range and low package count make the LM119/219/319 much more versatile.

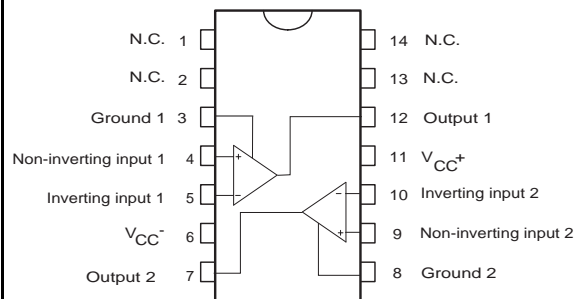


DIP14
(Plastic package)



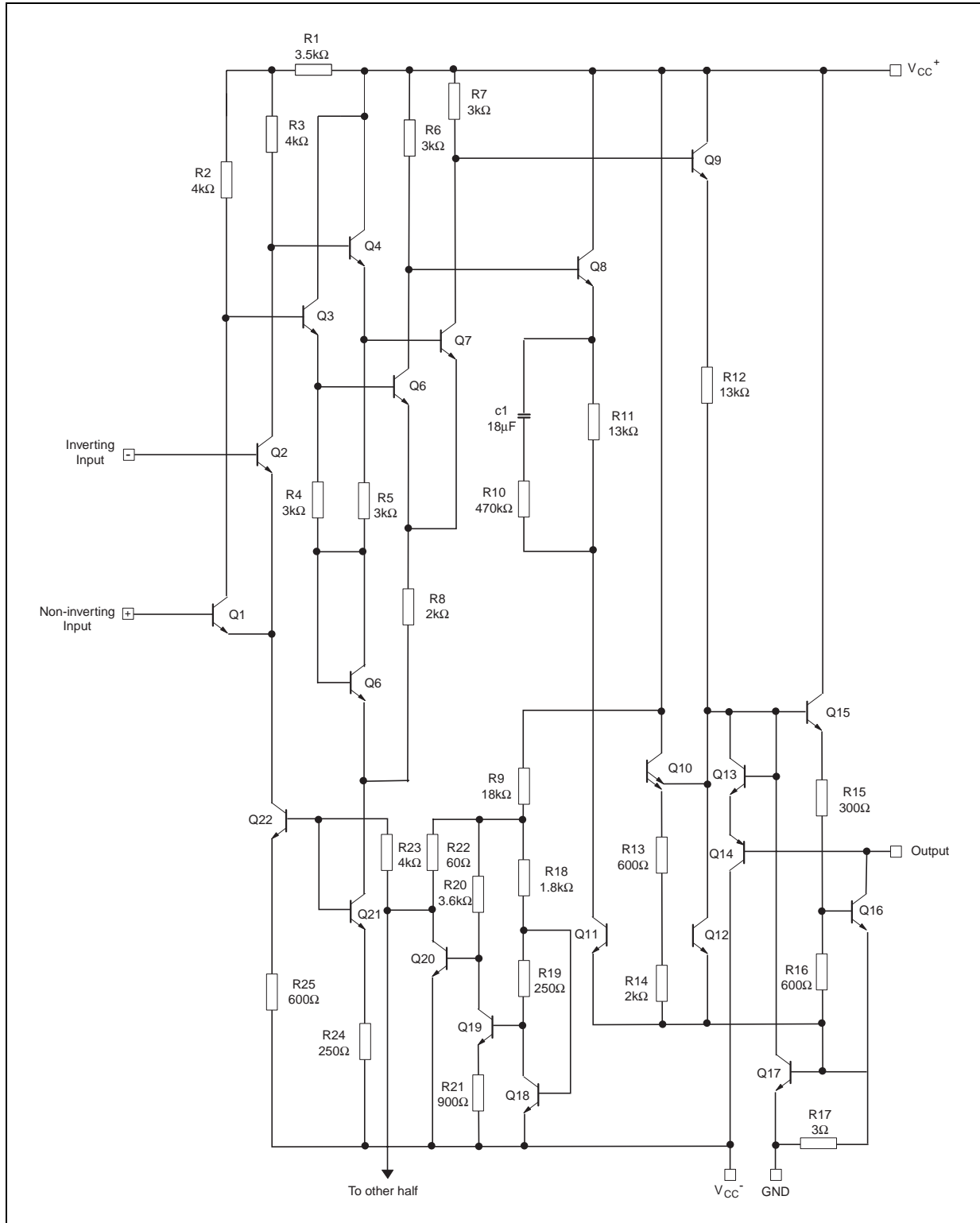
SO-14
(Plastic micropackage)

Pin connections
(Top view)



1 Schematic diagram

Figure 1. Circuit schematics (1/2 LM119)



2 Absolute maximum ratings and operating conditions

Table 1. Absolute maximum ratings (AMR)

Symbol	Parameter	Value	Unit
$V_o - V_{CC}^-$	Output to negative supply voltage	36	V
V_{CC}^-	Negative supply voltage	-25	V
V_{CC}^+	Positive supply voltage	18	V
V_{id}	Differential input voltage	± 5	V
V_i	Input voltage ⁽¹⁾	± 15	V
	Output short-circuit to ground	Infinite	
T_j	Maximum junction temperature	150	°C
T_{stg}	storage temperature range	-65 to +150	°C
R_{thja}	Thermal resistance junction to ambient ^{(2) (3)}		°C/W
	DIP14	80	
	SO-14	105	
R_{thjc}	Thermal resistance junction to case ^{(2) (3)}		°C/W
	DIP14	33	
	SO-14	31	
ESD	HBM: human body model ⁽⁴⁾	400	V
	MM: machine model ⁽⁵⁾	100	
	CDM: charged device model ⁽⁶⁾	1500	

- For supply voltages lower than $\pm 15V$ the absolute maximum input voltage is equal to the supply voltage.
- Short-circuits can cause excessive heating. Destructive dissipation can result from simultaneous short-circuits on all amplifiers.
- R_{th} are typical values.
- Human body model: 100pF discharged through a 1.5k Ω resistor between two pins of the device, done for all couples of pin combinations with other pins floating.
- Machine model: a 200pF cap is charged to the specified voltage, then discharged directly between two pins of the device with no external series resistor (internal resistor < 5 Ω), done for all couples of pin combinations with other pins floating.
- Charged device model: all pins and the package are charged together to the specified voltage and then discharged directly to the ground through only one pin. This is done for all pins.

Table 2. Operating conditions

Symbol	Parameter	Value	Unit
V_{CC}	Supply voltage	5 to ± 15	V
T_{oper}	Operating free-air temperature range		°C
	LM119	-55 to + 125	
	LM219	-40 to + 105	
	LM319	0 to + 70	

3 Electrical characteristics

Table 3. $V_{CC} = \pm 15V$, $T_{amb} = +25^{\circ}C$ (unless otherwise specified)

Symbol	Parameter	LM119 - LM219			LM319			Unit
		Min.	Typ.	Max.	Min	Typ.	Max.	
V_{io}	Input offset voltage ($R_s \leq 5k\Omega$) ^{(1) (2)} $T_{min} \leq T_{amb} \leq T_{max}$		0.7	4 7		2	8 10	mV
I_{io}	Input offset current ⁽¹⁾ $T_{min} \leq T_{amb} \leq T_{max}$		30	75 100		80	200 300	nA
I_{ib}	Input bias current ⁽¹⁾ $T_{min} \leq T_{amb} \leq T_{max}$		150	500 1000		250	1000 1200	nA
A_{vd}	Large signal voltage gain	10	40		8	40		V/mV
I_{CC}^{+}	Positive supply current $V_{CC} = \pm 15V$ $V_{CC}^{+} = +5V, V_{CC}^{-} = 0V$		8 4.3	11.5		8 4.3	12.5	mA
I_{CC}^{-}	Negative supply current		3	4.5		3	5	mA
V_{icm}	Input common mode voltage range $V_{CC} = \pm 15V$ $V_{CC}^{+} = +5V, V_{CC}^{-} = 0V$	± 12 1	± 13	3	± 12 1	± 13	3	V
V_{OL}	Low level output voltage $I_o = 25mA$ $V_i \leq -5mV$ $V_i \leq -10mV$ $T_{min} \leq T_{amb} \leq T_{max}$ $V_{CC}^{+} \geq +4.5V, V_{CC}^{-} = 0V, I_{o(sink)} < 3.2mA$ $V_i \leq -6mV$ $V_i \leq -10mV$		0.75	1.5		0.75	1.5	V
I_{OH}	High level output current ($V_o = +35V$) $V_i \geq 5mV$ $V_i \geq 10mV$ $T_{min} \leq T_{amb} \leq T_{max}, V_i \geq 5mV$		0.2	2		0.2	10	μA
t_{res}	Response time ⁽³⁾		80			80		ns

1. These specifications apply for $V_{CC} = \pm 15V$, unless otherwise stated. The offset voltage, offset current and bias current specifications apply for any supply voltage from a single +5V up to $\pm 15V$ supplies. The offset voltages and offset current given are the maximum values required to drive the output down to 1V or up to +14V with a 1mA load current. Thus, these parameters define an error band and take into account the worst case effects of voltage gain and input impedance.
2. At output switch point, $V_o \approx 1.4V$, no load, with V_{CC} from 5V to $\pm 15V$ and over the full input common-mode range.
3. The response time specified is for a 100mV input step with 5mV overdrive.

Figure 2. Input bias currents (LM119-219)

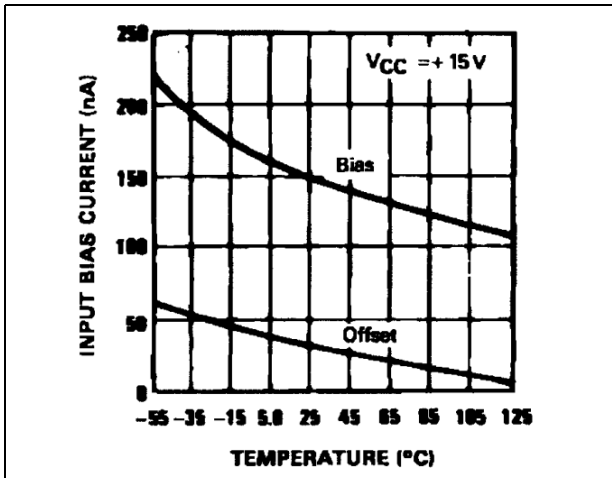


Figure 3. Common mode limits (LM119-219)

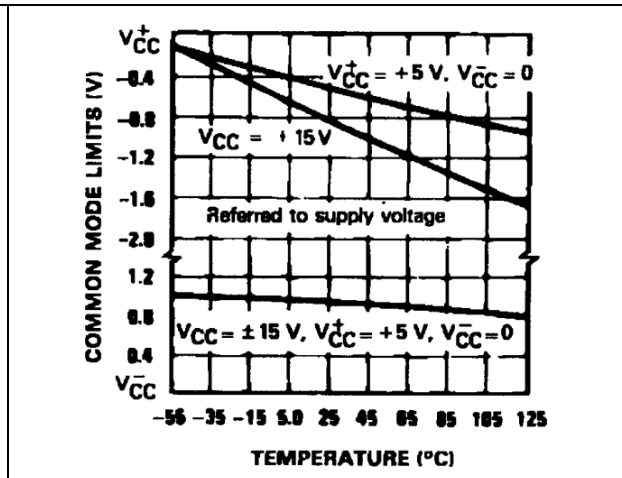


Figure 4. Output saturation voltage (LM119-219)

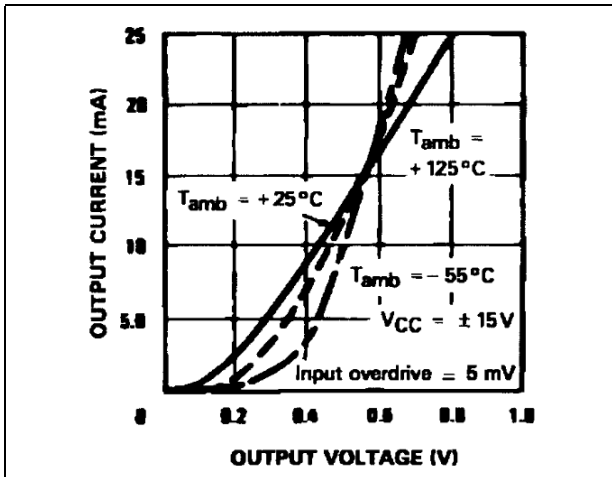


Figure 5. Supply current (LM119-219)

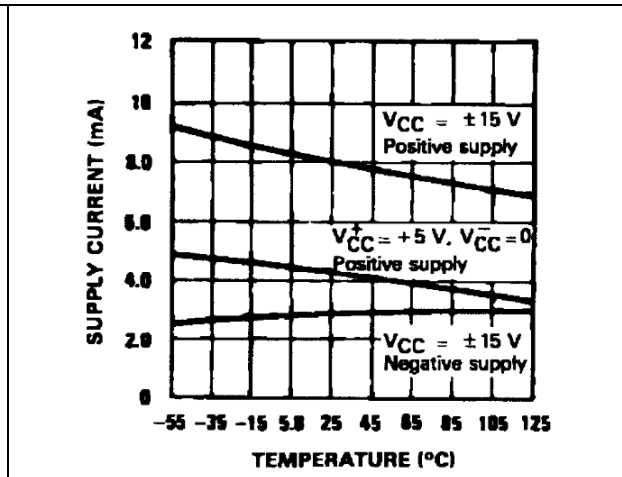


Figure 6. Supply current (LM119-219)

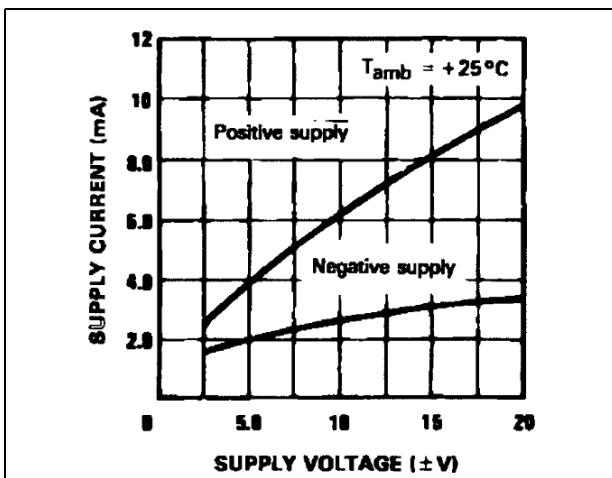


Figure 7. Output limiting characteristics (LM119-219)

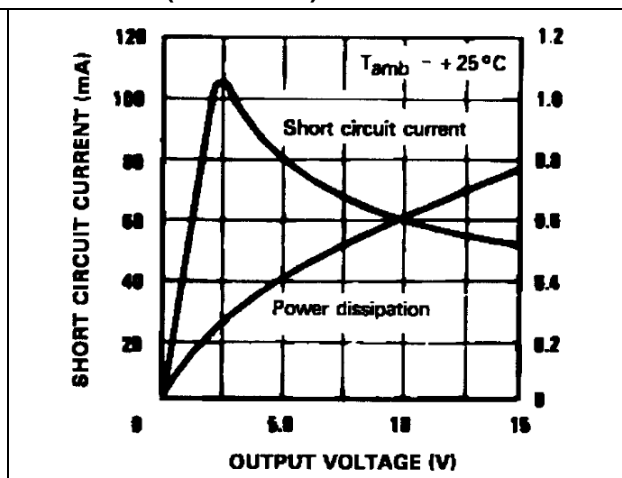


Figure 8. Input bias currents (LM319)

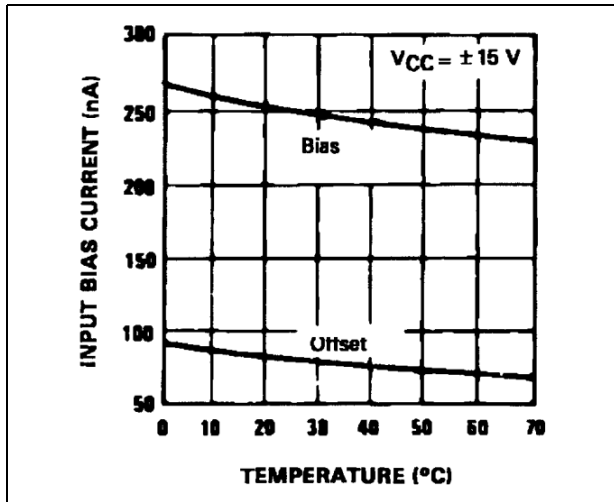


Figure 9. Common mode limits (LM319)

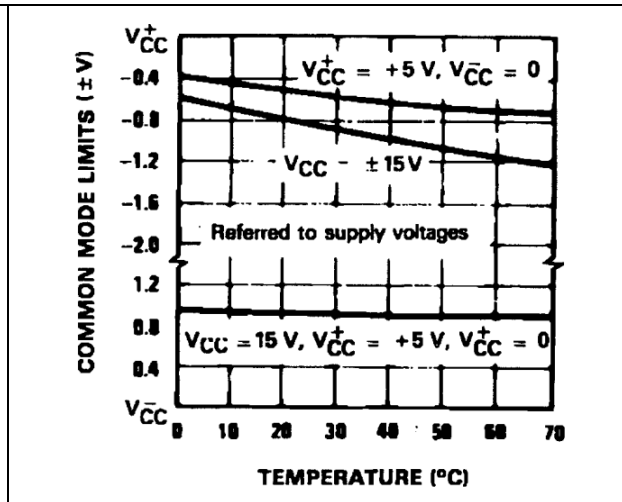


Figure 10. Output saturation voltage (LM319)

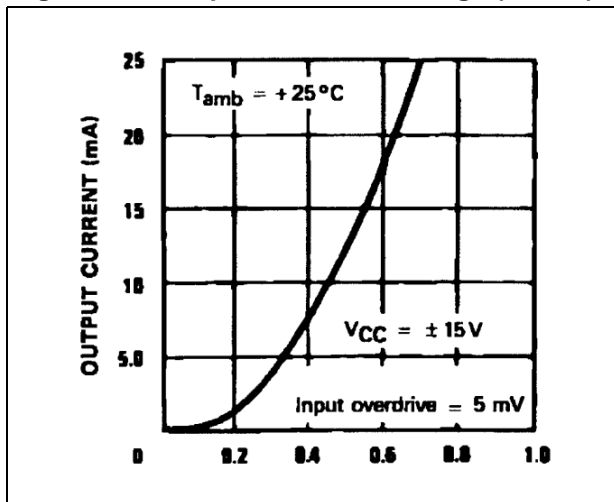


Figure 11. Supply current (LM319)

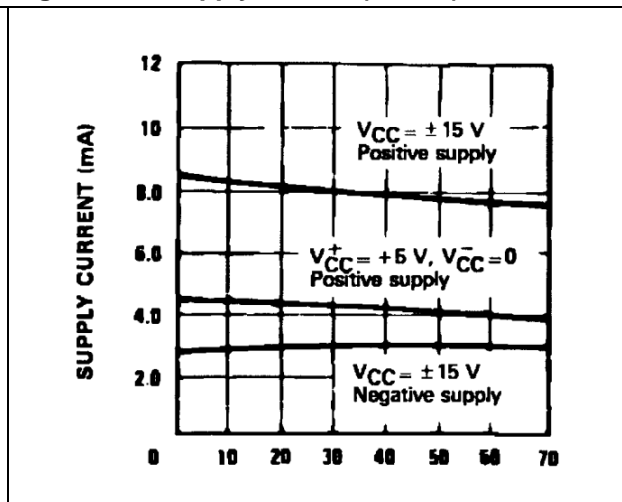


Figure 12. Transfer function

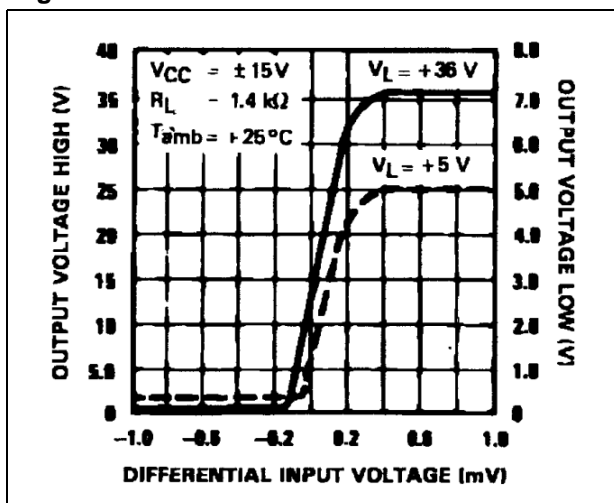


Figure 13. Input characteristics

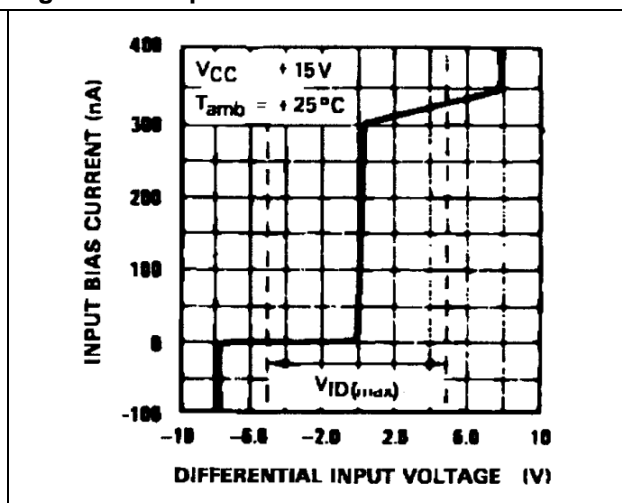


Figure 14. Response time for various input overdrives

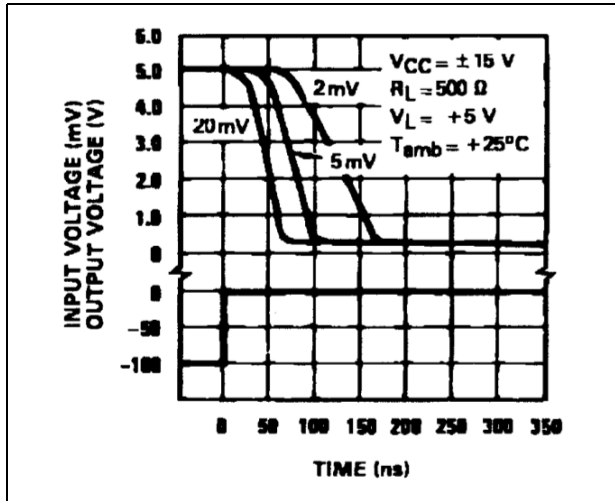


Figure 15. Response time for various input overdrives

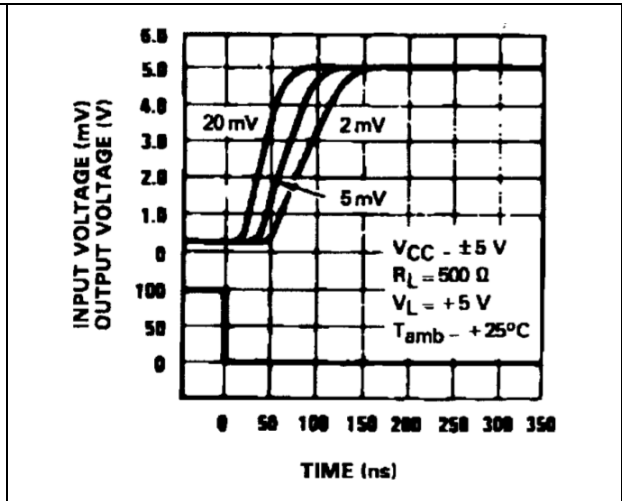


Figure 16. Response time for various input overdrives

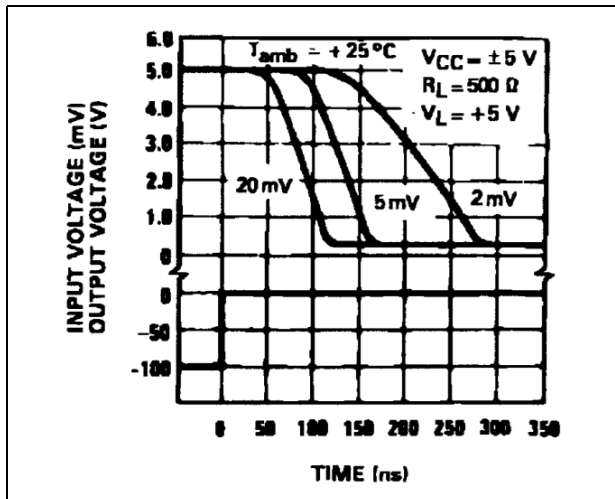
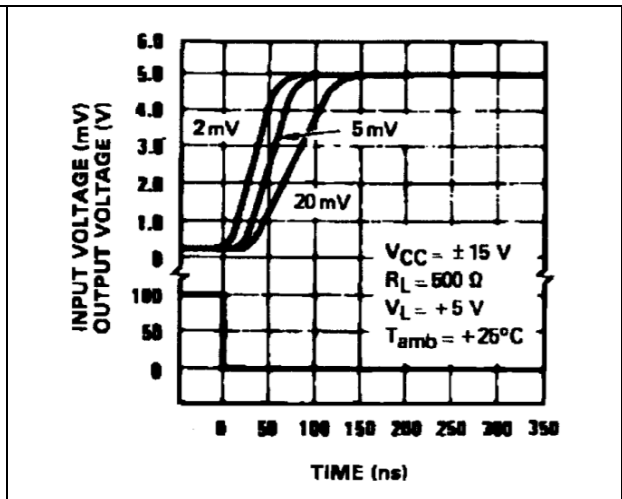


Figure 17. Response time for various input overdrives



4 Typical application diagrams

Figure 18. Relay driver

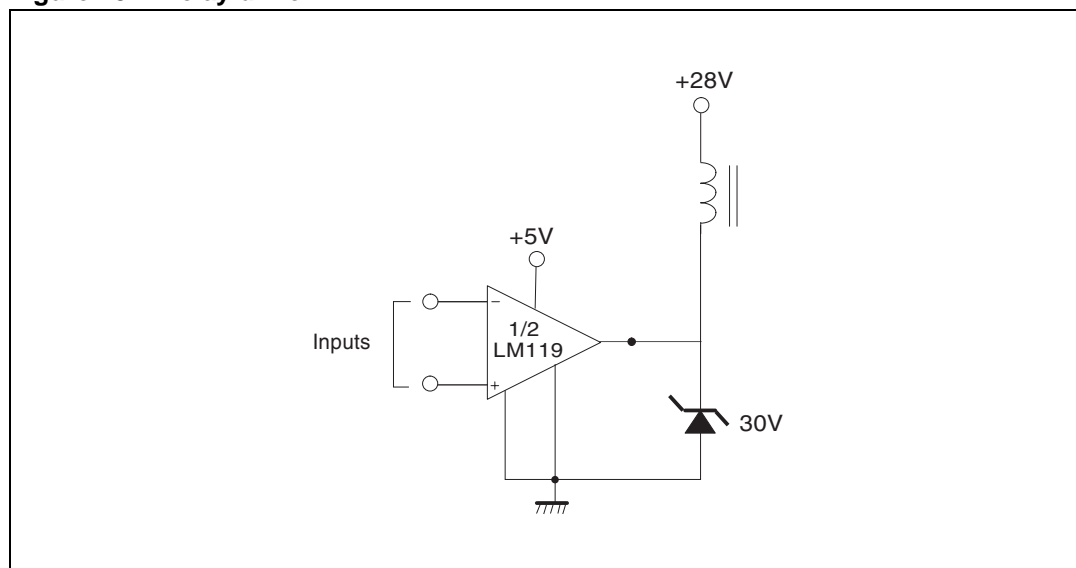
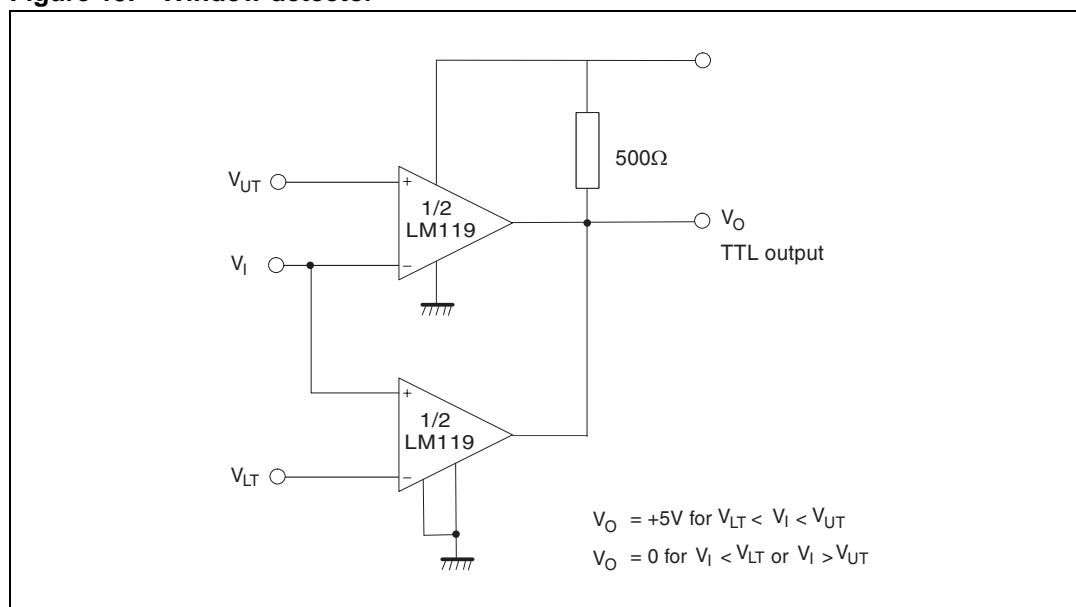


Figure 19. Window detector



5 Package information

In order to meet environmental requirements, ST offers these devices in ECOPACK[®] packages. These packages have a lead-free second level interconnect. The category of second level interconnect is marked on the package and on the inner box label, in compliance with JEDEC Standard JESD97. The maximum ratings related to soldering conditions are also marked on the inner box label. ECOPACK is an ST trademark. ECOPACK specifications are available at: www.st.com.

5.1 DIP14 package information

Figure 20. DIP14 package mechanical drawing

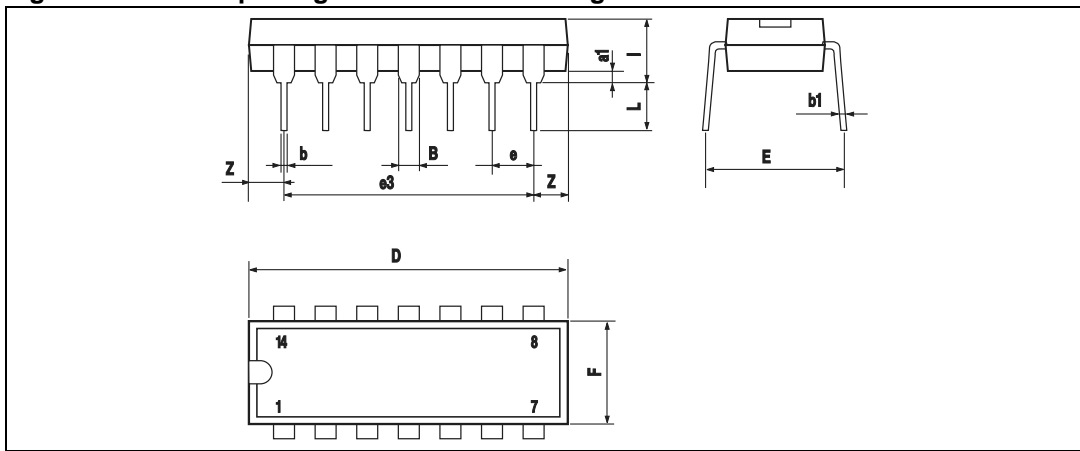


Table 4. DIP14 package mechanical data

Ref.	Dimensions					
	Millimeters			Inches		
	Min.	Typ.	Max.	Min.	Typ.	Max.
a1	0.51			0.020		
B	1.39		1.65	0.055		0.065
b		0.5			0.020	
b1		0.25			0.010	
D			20			0.787
E		8.5			0.335	
e		2.54			0.100	
e3		15.24			0.600	
F			7.1			0.280
L			5.1			0.201
L		3.3			0.130	
Z	1.27		2.54	0.050		0.100

5.2 SO-14 package information

Figure 21. SO-14 package mechanical drawing

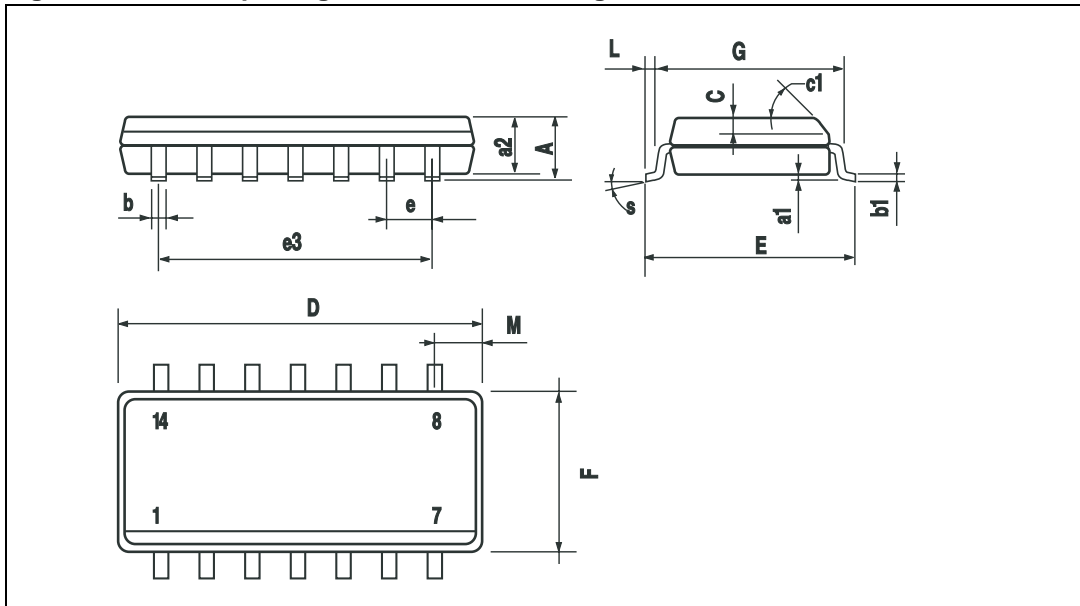


Table 5. SO-14 package mechanical data

Ref.	Dimensions					
	Millimeters			Inches		
	Min.	Typ.	Max.	Min.	Typ.	Max.
A			1.75			0.068
a1	0.1		0.2	0.003		0.007
a2			1.65			0.064
b	0.35		0.46	0.013		0.018
b1	0.19		0.25	0.007		0.010
C		0.5			0.019	
c1	45° (typ.)					
D	8.55		8.75	0.336		0.344
E	5.8		6.2	0.228		0.244
e		1.27			0.050	
e3		7.62			0.300	
F	3.8		4.0	0.149		0.157
G	4.6		5.3	0.181		0.208
L	0.5		1.27	0.019		0.050
M			0.68			0.026
S	8° (max.)					

6 Ordering information

Table 6. Order codes

Order code	Temperature range	Package	Packaging	Marking
LM119N	-55°C to +125°C	DIP14	Tube	LM119N
LM119D LM119DT		SO-14	Tube or Tape & reel	119
LM219N	-40°C to +105°C	DIP14	Tube	LM219N
LM219D LM219DT		SO-14	Tube or Tape & reel	219
LM319N	0°C to +70°C	DIP14	Tube	LM319N
LM319D LM319DT		SO-14	Tube or Tape & reel	319

7 Revision history

Table 7. Document revision history

Date	Revision	Changes
5-Jul-2002	1	Initial release.
28-Jan-2007	2	Added ESD, R_{thja} parameters in Table 1: Absolute maximum ratings (AMR) . Expanded orderable parts table, see Table 6: Order codes . Updated document format.

Please Read Carefully:

Information in this document is provided solely in connection with ST products. STMicroelectronics NV and its subsidiaries ("ST") reserve the right to make changes, corrections, modifications or improvements, to this document, and the products and services described herein at any time, without notice.

All ST products are sold pursuant to ST's terms and conditions of sale.

Purchasers are solely responsible for the choice, selection and use of the ST products and services described herein, and ST assumes no liability whatsoever relating to the choice, selection or use of the ST products and services described herein.

No license, express or implied, by estoppel or otherwise, to any intellectual property rights is granted under this document. If any part of this document refers to any third party products or services it shall not be deemed a license grant by ST for the use of such third party products or services, or any intellectual property contained therein or considered as a warranty covering the use in any manner whatsoever of such third party products or services or any intellectual property contained therein.

UNLESS OTHERWISE SET FORTH IN ST'S TERMS AND CONDITIONS OF SALE ST DISCLAIMS ANY EXPRESS OR IMPLIED WARRANTY WITH RESPECT TO THE USE AND/OR SALE OF ST PRODUCTS INCLUDING WITHOUT LIMITATION IMPLIED WARRANTIES OF MERCHANTABILITY, FITNESS FOR A PARTICULAR PURPOSE (AND THEIR EQUIVALENTS UNDER THE LAWS OF ANY JURISDICTION), OR INFRINGEMENT OF ANY PATENT, COPYRIGHT OR OTHER INTELLECTUAL PROPERTY RIGHT.

UNLESS EXPRESSLY APPROVED IN WRITING BY AN AUTHORIZED ST REPRESENTATIVE, ST PRODUCTS ARE NOT RECOMMENDED, AUTHORIZED OR WARRANTED FOR USE IN MILITARY, AIR CRAFT, SPACE, LIFE SAVING, OR LIFE SUSTAINING APPLICATIONS, NOR IN PRODUCTS OR SYSTEMS WHERE FAILURE OR MALFUNCTION MAY RESULT IN PERSONAL INJURY, DEATH, OR SEVERE PROPERTY OR ENVIRONMENTAL DAMAGE. ST PRODUCTS WHICH ARE NOT SPECIFIED AS "AUTOMOTIVE GRADE" MAY ONLY BE USED IN AUTOMOTIVE APPLICATIONS AT USER'S OWN RISK.

Resale of ST products with provisions different from the statements and/or technical features set forth in this document shall immediately void any warranty granted by ST for the ST product or service described herein and shall not create or extend in any manner whatsoever, any liability of ST.

ST and the ST logo are trademarks or registered trademarks of ST in various countries.

Information in this document supersedes and replaces all information previously supplied.

The ST logo is a registered trademark of STMicroelectronics. All other names are the property of their respective owners.

© 2008 STMicroelectronics - All rights reserved

STMicroelectronics group of companies

Australia - Belgium - Brazil - Canada - China - Czech Republic - Finland - France - Germany - Hong Kong - India - Israel - Italy - Japan - Malaysia - Malta - Morocco - Singapore - Spain - Sweden - Switzerland - United Kingdom - United States of America

www.st.com