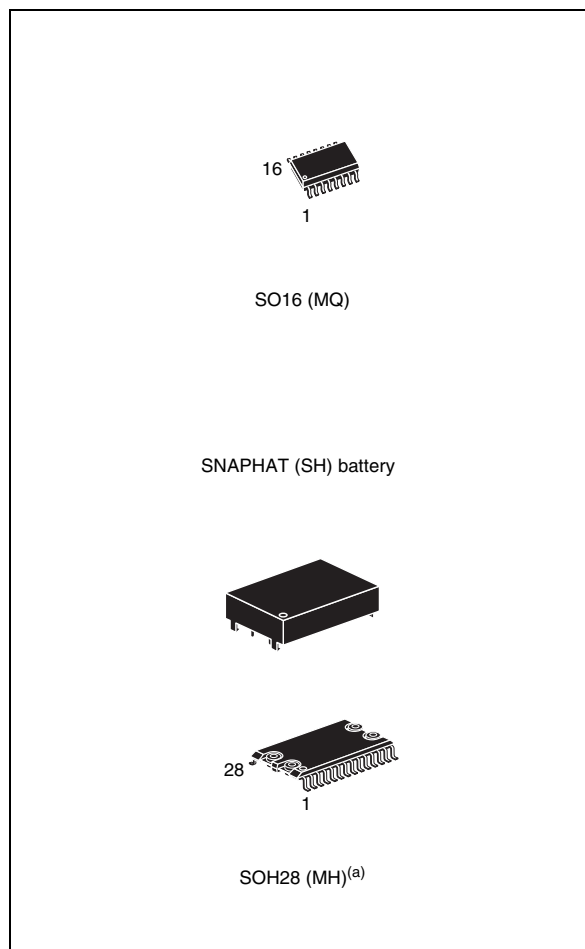


5V or 3V NVRAM supervisor for LPSRAM

Features

- Convert low power SRAMs into NVRAMs
- 5V or 3V operating voltage
- Precision power monitoring and power switching circuitry
- Automatic write-protection when V_{CC} is out-of-tolerance
- Choice of supply voltages and power-fail deselect voltages:
 - M40SZ100Y: $V_{CC} = 4.5$ to $5.5V$;
 $4.20V \leq V_{PFD} \leq 4.50V$
 - M40SZ100W: $V_{CC} = 2.7$ to $3.6V$;
 $2.55V \leq V_{PFD} \leq 2.70V$
- Reset output (\overline{RST}) for power on reset
- 1.25V reference (for PFI/ \overline{PFO})
- Less than 10ns chip enable access propagation delay (at 5V)
- Optional packaging includes a 28-lead SOIC and SNAPHAT[®] top (to be ordered separately)
- 28-lead SOIC package provides direct connection for a SNAPHAT top which contains the battery^(a)
- Battery low pin (\overline{BL})
- RoHS compliant
 - Lead-free second level interconnect



a. Contact local ST sales office for availability.

Contents

1	Description	5
2	Operation	9
2.1	Data retention lifetime calculation	9
2.2	Power-on reset output	12
2.3	Reset input (RSTIN)	12
2.4	Battery low pin	12
2.5	Power-fail input/output	13
2.6	V _{CC} noise and negative going transients	13
3	Maximum ratings	15
4	DC and AC parameters	16
5	Package mechanical data	19
6	Part numbering	23
7	Revision history	24

List of tables

Table 1.	Signal names	6
Table 2.	Power down/up AC characteristics	11
Table 3.	Reset AC characteristics	12
Table 4.	Absolute maximum ratings	15
Table 5.	DC and AC measurement conditions	16
Table 6.	Capacitance	17
Table 7.	DC characteristics	17
Table 8.	SO16 – 16-lead plastic small plastic package mechanical data	19
Table 9.	SOH28 – 28-lead plastic small outline, battery SNAPHAT, pack. mech. data	20
Table 10.	SH – 4-pin SNAPHAT housing for 48mAh battery, package mechanical data	21
Table 11.	SH – 4-pin SNAPHAT housing for 120mAh battery, package mechanical data	22
Table 12.	Ordering information scheme	23
Table 13.	SNAPHAT® battery table	23
Table 14.	Document revision history	24

List of figures

Figure 1.	Logic diagram	5
Figure 2.	SOIC16 connections	6
Figure 3.	SOIC28 connections	7
Figure 4.	Block diagram	7
Figure 5.	Hardware hookup	8
Figure 6.	Power down timing	10
Figure 7.	Power up timing	11
Figure 8.	RSTIN timing waveform	12
Figure 9.	Supply voltage protection	14
Figure 10.	AC testing load circuit	16
Figure 11.	AC testing input/output waveforms	17
Figure 12.	SO16 – 16-lead plastic small package outline	19
Figure 13.	SOH28 – 28-lead plastic small outline, 4-socket battery SNAPHAT, package outline	20
Figure 14.	SH – 4-pin SNAPHAT housing for 48mAh battery, package outline.	21
Figure 15.	SH – 4-pin SNAPHAT housing for 120mAh battery, package outline.	22

1 Description

The M40SZ100Y/W NVRAM Controller is a self-contained device which converts a standard low-power SRAM into a non-volatile memory. A precision voltage reference and comparator monitors the V_{CC} input for an out-of-tolerance condition.

When an invalid V_{CC} condition occurs, the conditioned chip enable output (\overline{E}_{CON}) is forced inactive to write protect the stored data in the SRAM. During a power failure, the SRAM is switched from the V_{CC} pin to the lithium cell within the SNAPHAT (or external battery for the 16-lead SOIC) to provide the energy required for data retention. On a subsequent power-up, the SRAM remains write protected until a valid power condition returns.

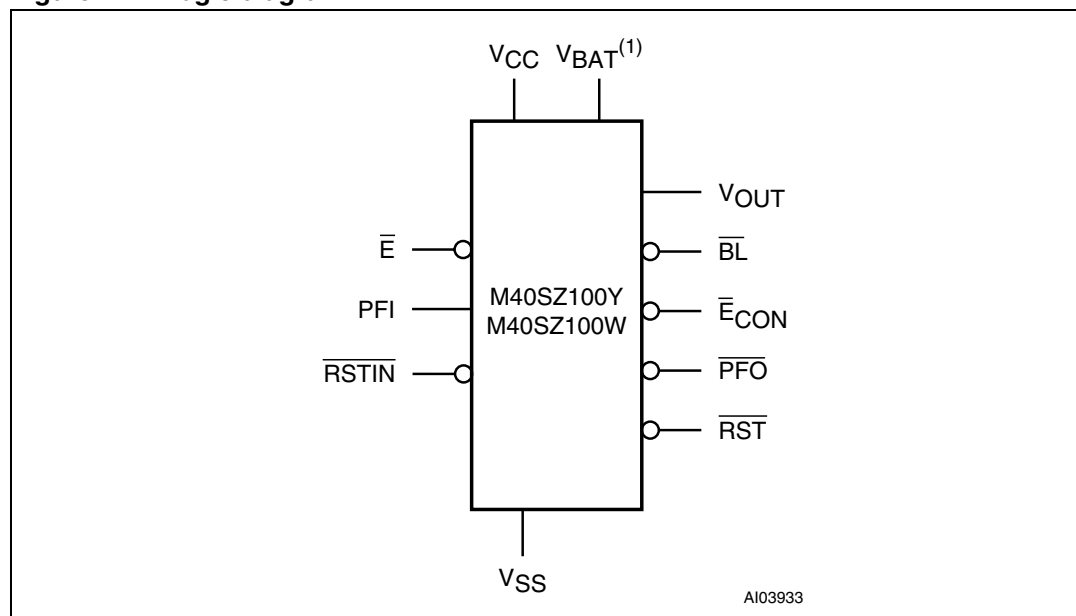
The 28-pin, 330 mil SOIC provides sockets with gold plated contacts for direct connection to a separate SNAPHAT[®] housing containing the battery. The SNAPHAT housing has gold plated pins which mate with the sockets, ensuring reliable connection. The housing is keyed to prevent improper insertion. This unique design allows the SNAPHAT battery package to be mounted on top of the SOIC package after the completion of the surface mount process which greatly reduces the board manufacturing process complexity of either directly soldering or inserting a battery into a soldered holder. Providing non-volatility becomes a “SNAP.” This feature is also available in the “topless” 16-pin SOIC package (MQ).

Insertion of the SNAPHAT housing after reflow prevents potential battery damage due to the high temperatures required for device surface-mounting. The SNAPHAT housing is also keyed to prevent reverse insertion.

The 28-pin SOIC and battery packages are shipped separately in plastic anti-static tubes or in tape & reel form. For the 28-lead SOIC, the battery/crystal package (e.g., SNAPHAT) part number is “M4ZXX-BR00SH” (see [Table 13 on page 23](#)).

Caution: Do not place the SNAPHAT battery top in conductive foam, as this will drain the lithium button-cell battery.

Figure 1. Logic diagram



1. For 16-pin SOIC package only.

Table 1. Signal names

\overline{E}	Chip enable input
\overline{E}_{CON}	Conditioned chip enable output
\overline{RST}	Reset output (open drain)
\overline{RSTIN}	Reset input
\overline{BL}	Battery low output (open drain)
V_{OUT}	Supply voltage output
V_{CC}	Supply voltage
$V_{BAT}^{(1)}$	Back-up supply voltage
PFI	Power fail input
\overline{PFO}	Power fail output
V_{SS}	Ground
NC	Not connected internally

1. For SO16 only.

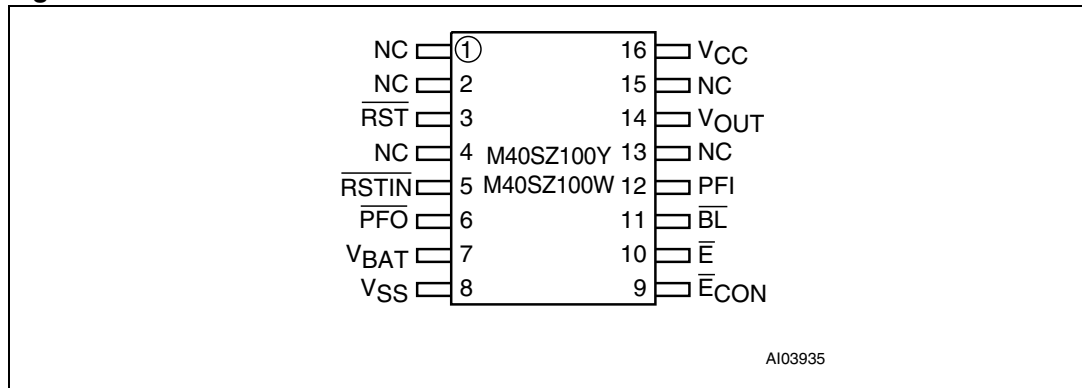
Figure 2. SOIC16 connections

Figure 3. SOIC28 connections

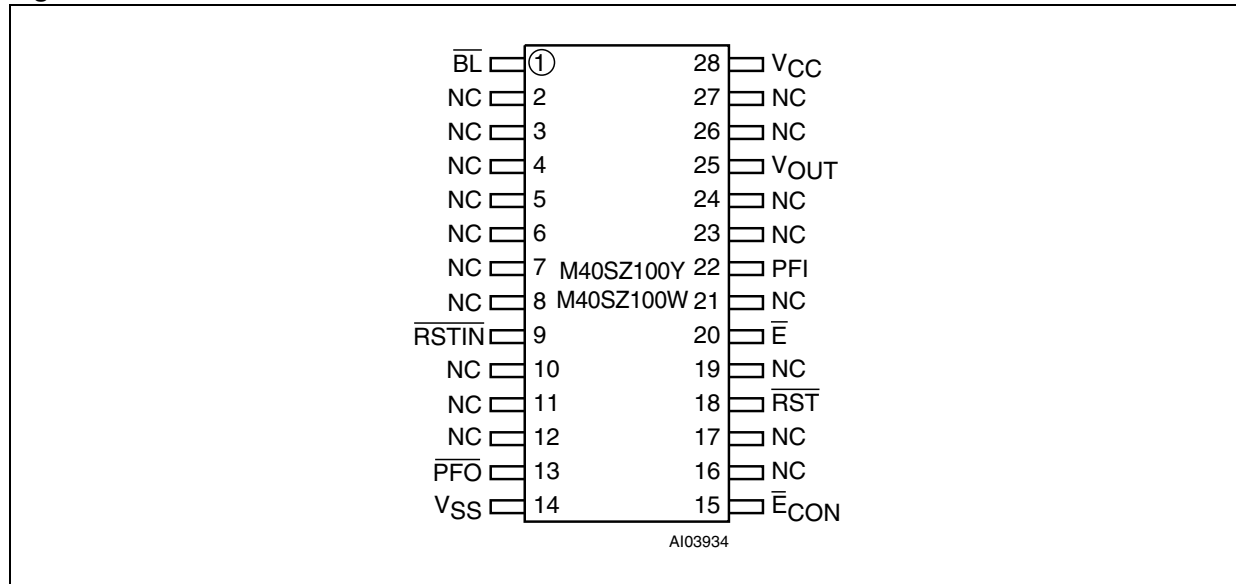
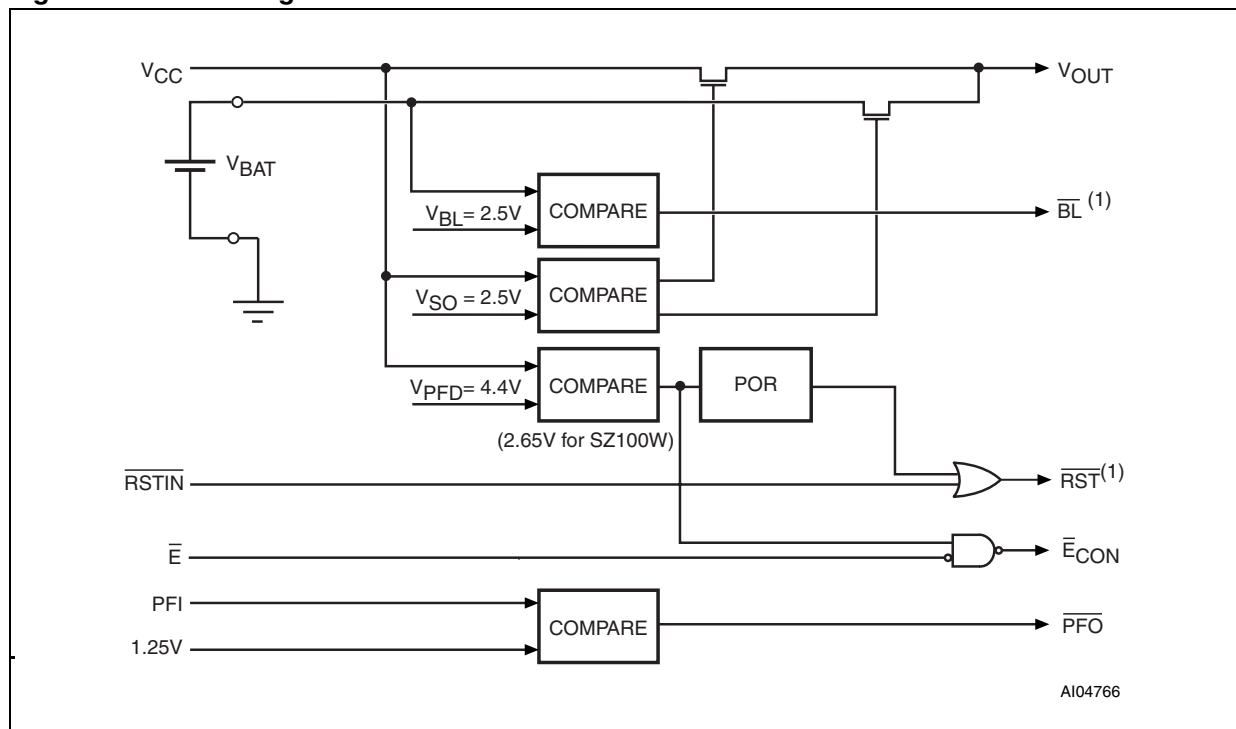


Figure 4. Block diagram



1. Open drain output

2 Operation

The M40SZ100Y/W, as shown in [Figure 5 on page 8](#), can control one (two, if placed in parallel) standard low-power SRAM. This SRAM must be configured to have the chip enable input disable all other input signals. Most slow, low-power SRAMs are configured like this, however many fast SRAMs are not. During normal operating conditions, the conditioned chip enable (\overline{E}_{CON}) output pin follows the chip enable (\overline{E}) input pin with timing shown in [Table 2 on page 11](#). An internal switch connects V_{CC} to V_{OUT} . This switch has a voltage drop of less than 0.3V (I_{OUT1}).

When V_{CC} degrades during a power failure, \overline{E}_{CON} is forced inactive independent of \overline{E} . In this situation, the SRAM is unconditionally write protected as V_{CC} falls below an out-of-tolerance threshold (V_{PFD}). For the M40SZ100Y/W the power fail detection value associated with V_{PFD} is shown in [Table 7 on page 17](#).

If chip enable access is in progress during a power fail detection, that memory cycle continues to completion before the memory is write protected. If the memory cycle is not terminated within time t_{WPT} , \overline{E}_{CON} is unconditionally driven high, write protecting the SRAM. A power failure during a WRITE cycle may corrupt data at the currently addressed location, but does not jeopardize the rest of the SRAM's contents. At voltages below V_{PFD} (min), the user can be assured the memory will be write protected within the Write Protect Time (t_{WPT}) provided the V_{CC} fall time does not exceed t_F (see [Table 2 on page 11](#)).

As V_{CC} continues to degrade, the internal switch disconnects V_{CC} and connects the internal battery to V_{OUT} . This occurs at the switchover voltage (V_{SO}). Below the V_{SO} , the battery provides a voltage V_{OHB} to the SRAM and can supply current I_{OUT2} (see [Table 7 on page 17](#)).

When V_{CC} rises above V_{SO} , V_{OUT} is switched back to the supply voltage. Output \overline{E}_{CON} is held inactive for t_{CER} (120ms maximum) after the power supply has reached V_{PFD} , independent of the \overline{E} input, to allow for processor stabilization (see [Figure 7 on page 11](#)).

2.1 Data retention lifetime calculation

Most low power SRAMs on the market today can be used with the M40SZ100Y/W NVRAM Controller. There are, however some criteria which should be used in making the final choice of which SRAM to use. The SRAM must be designed in a way where the chip enable input disables all other inputs to the SRAM. This allows inputs to the M40SZ100Y/W and SRAMs to be "Don't care" once V_{CC} falls below V_{PFD} (min) (see [Figure 6 on page 10](#)). The SRAM should also guarantee data retention down to $V_{CC} = 2.0V$. The chip enable access time must be sufficient to meet the system needs with the chip enable propagation delays included.

If data retention lifetime is a critical parameter for the system, it is important to review the data retention current specifications for the particular SRAMs being evaluated. Most SRAMs specify a data retention current at 3.0V. Manufacturers generally specify a typical condition for room temperature along with a worst case condition (generally at elevated temperatures). The system level requirements will determine the choice of which value to use. The data retention current value of the SRAMs can then be added to the I_{CCDR} value of the M40SZ100Y/W to determine the total current requirements for data retention. The available battery capacity for the SNAPHAT[®] of your choice (see [Table 13 on page 23](#)) can then be divided by this current to determine the amount of data retention available.

Caution: Take care to avoid inadvertent discharge through V_{OUT} and \bar{E}_{CON} after battery has been attached.

For a further more detailed review of lifetime calculations, please see Application Note AN1012.

Figure 6. Power down timing

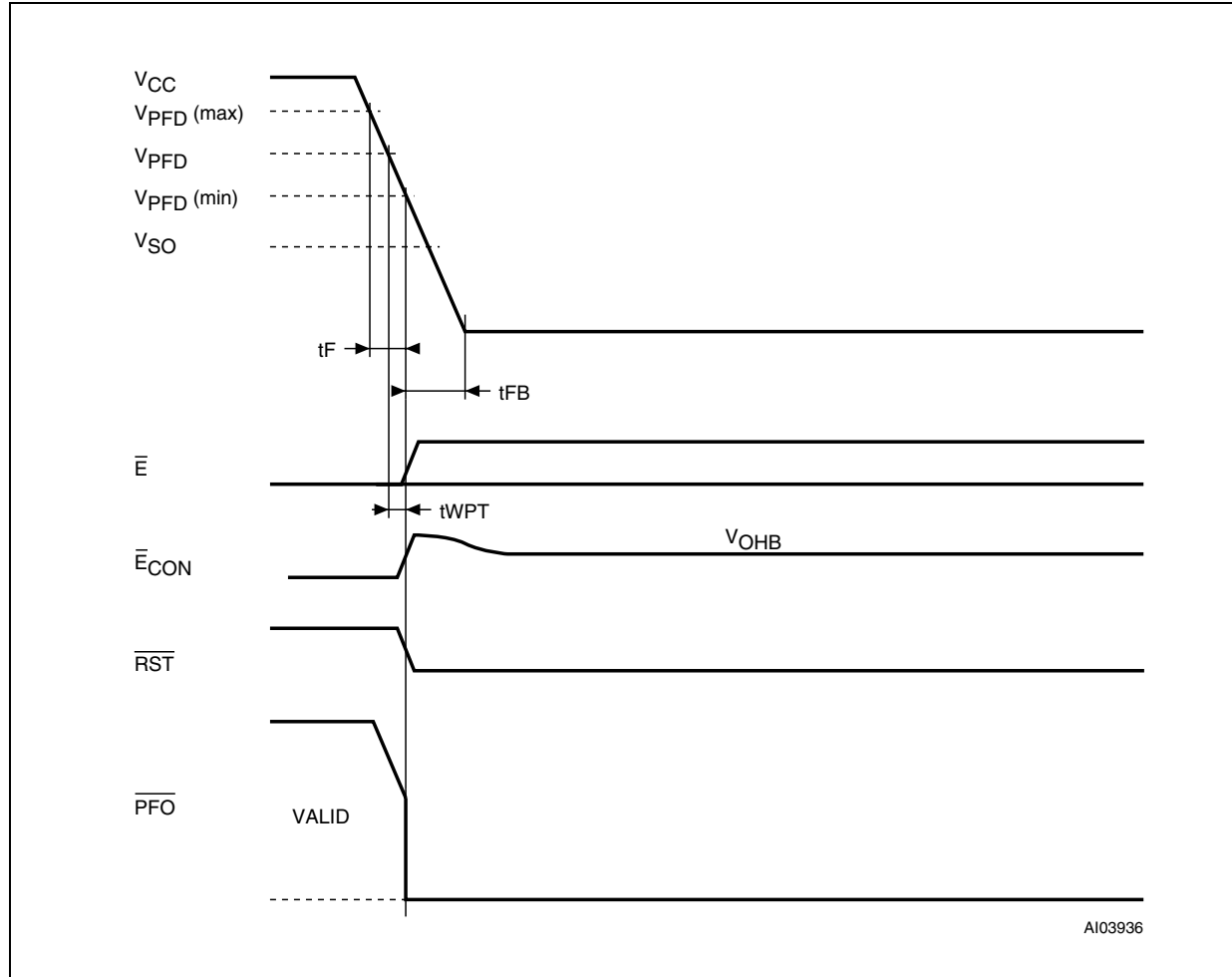


Figure 7. Power up timing

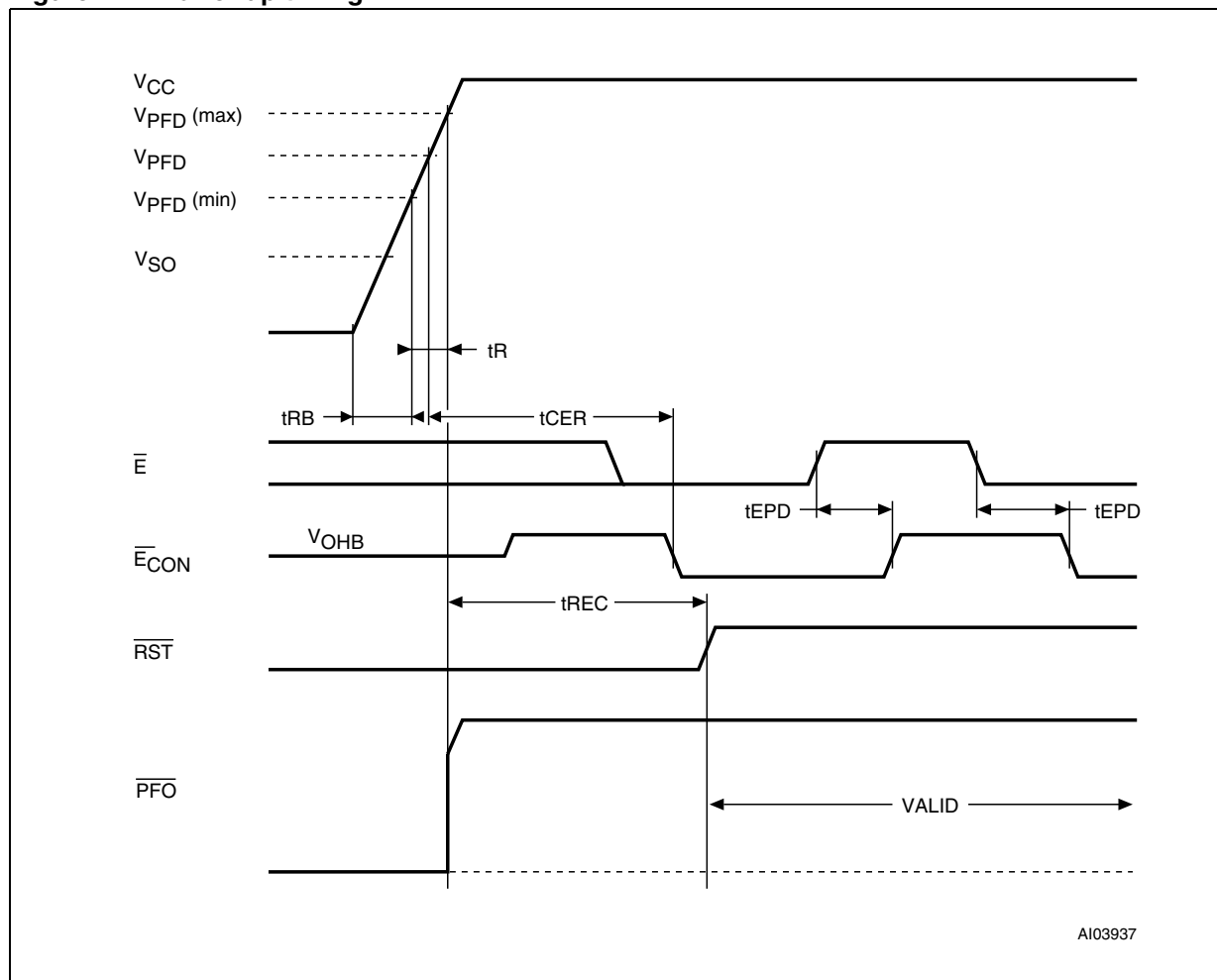


Table 2. Power down/up AC characteristics

Symbol	Parameter ⁽¹⁾	Min	Max	Unit
$t_F^{(2)}$	$V_{PFD}(\text{max})$ to $V_{PFD}(\text{min})$ V_{CC} fall time	300		μs
$t_{FB}^{(3)}$	$V_{PFD}(\text{min})$ to V_{SS} V_{CC} fall time	10		μs
t_{PFD}	PFI to \bar{PFO} propagation delay	15	25	μs
t_R	$V_{PFD}(\text{min})$ to $V_{PFD}(\text{max})$ V_{CC} rise time	10		μs
t_{EPD}	Chip enable propagation delay (low or high)	M40SZ100Y	10	ns
		M40SZ100W	15	ns
t_{RB}	V_{SS} to $V_{PFD}(\text{min})$ V_{CC} rise time	1		μs
t_{CER}	Chip enable recovery	40	120	ms
t_{REC}	$V_{PFD}(\text{max})$ to \bar{RST} high	40	200	ms
t_{WPT}	Write protect time	40	200	μs

- Valid for ambient operating temperature: $T_A = -40$ to 85°C ; $V_{CC} = 2.7$ to 3.6V or 4.5 to 5.5V (except where noted).
- $V_{PFD}(\text{max})$ to $V_{PFD}(\text{min})$ fall time of less than t_F may result in deselection/write protection not occurring until $200 \mu\text{s}$ after V_{CC} passes $V_{PFD}(\text{min})$.
- $V_{PFD}(\text{min})$ to V_{SS} fall time of less than t_{FB} may cause corruption of RAM data.

2.2 Power-on reset output

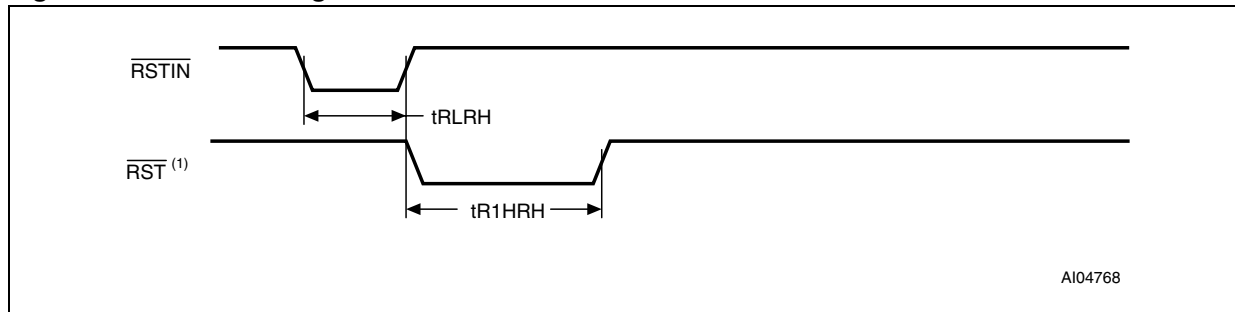
All microprocessors have a reset input which forces them to a known state when starting. The M40SZ100Y/W has a reset output ($\overline{\text{RST}}$) pin which is guaranteed to be low by V_{PFD} (see [Table 7 on page 17](#)). This signal is an open drain configuration. An appropriate pull-up resistor to V_{CC} should be chosen to control the rise time. This signal will be valid for all voltage conditions, even when V_{CC} equals V_{SS} (with valid battery voltage).

Once V_{CC} exceeds the power failure detect voltage V_{PFD} , an internal timer keeps $\overline{\text{RST}}$ low for t_{REC} to allow the power supply to stabilize.

2.3 Reset input ($\overline{\text{RSTIN}}$)

The M40SZ100Y/W provides one independent input which can generate an output reset. The duration and function of this reset is identical to a reset generated by a power cycle. [Table 3](#) and [Figure 8](#) illustrate the AC reset characteristics of this function. Pulses shorter than t_{RLRH} will not generate a reset condition. $\overline{\text{RSTIN}}$ is internally pulled up to V_{CC} through a 100k Ω resistor.

Figure 8. $\overline{\text{RSTIN}}$ timing waveform



1. With pull-up resistor

Table 3. Reset AC characteristics

Symbol	Parameter ⁽¹⁾	Min	Max	Unit
t_{RLRH} ⁽²⁾	RSTIN low to RSTIN high	200		ns
t_{R1HRH} ⁽³⁾	RSTIN high to $\overline{\text{RST}}$ high	40	200	ms

1. Valid for ambient operating temperature: $T_A = -40$ to 85°C ; $V_{\text{CC}} = 2.7$ to 3.6V or 4.5 to 5.5V (except where noted).

2. Pulse width less than 50ns will result in no RESET (for noise immunity).

3. $C_L = 5\text{pF}$ (see [Figure 10 on page 16](#)).

2.4 Battery low pin

The M40SZ100Y/W automatically performs battery voltage monitoring upon power-up, and at factory-programmed time intervals of at least 24 hours. The Battery Low ($\overline{\text{BL}}$) pin will be asserted if the battery voltage is found to be less than approximately 2.5V. The $\overline{\text{BL}}$ pin will remain asserted until completion of battery replacement and subsequent battery low monitoring tests, either during the next power-up sequence or the next scheduled 24-hour interval.

If a battery low is generated during a power-up sequence, this indicates that the battery is below 2.5V and may not be able to maintain data integrity in the SRAM. Data should be considered suspect, and verified as correct. A fresh battery should be installed.

If a battery low indication is generated during the 24-hour interval check, this indicates that the battery is near end of life. However, data is not compromised due to the fact that a nominal V_{CC} is supplied. In order to insure data integrity during subsequent periods of battery back-up mode, the battery should be replaced.

The M40SZ100Y/W only monitors the battery when a nominal V_{CC} is applied to the device. Thus applications which require extensive durations in the battery back-up mode should be powered-up periodically (at least once every few months) in order for this technique to be beneficial. Additionally, if a battery low is indicated, data integrity should be verified upon power-up via a checksum or other technique. The BL pin is an open drain output and an appropriate pull-up resistor to V_{CC} should be chosen to control the rise time.

2.5 Power-fail input/output

The Power-Fail Input (PFI) is compared to an internal reference voltage (independent from the V_{PFD} comparator). If PFI is less than the power-fail threshold (V_{PFI}), the Power-Fail Output (PFO) will go low. This function is intended for use as an under-voltage detector to signal a failing power supply. Typically PFI is connected through an external voltage divider (see [Figure 5 on page 8](#)) to either the unregulated DC input (if it is available) or the regulated output of the V_{CC} regulator. The voltage divider can be set up such that the voltage at PFI falls below V_{PFI} several milliseconds before the regulated V_{CC} input to the M40SZ100Y/W or the microprocessor drops below the minimum operating voltage.

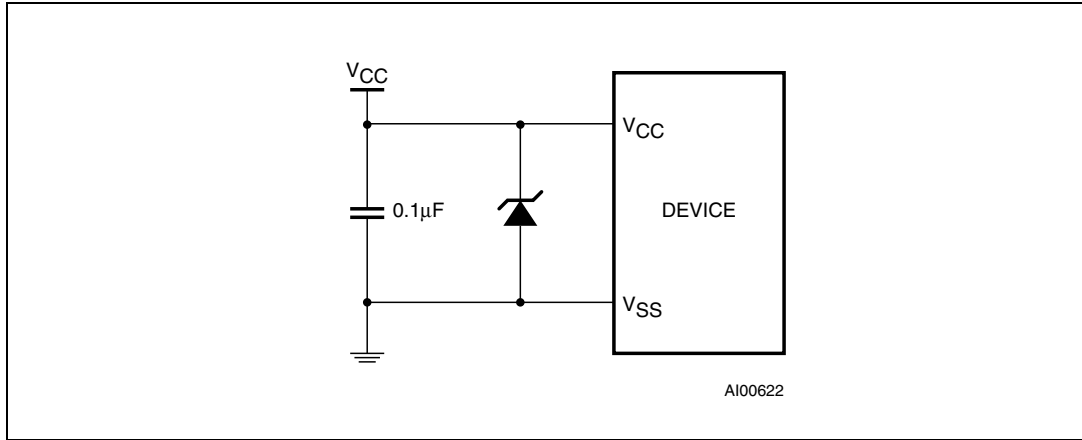
During battery back-up, the power-fail comparator turns off and \overline{PFO} goes (or remains) low. This occurs after V_{CC} drops below $V_{PFD}(\min)$. When power returns, \overline{PFO} is forced high, irrespective of V_{PFI} for the write protect time (t_{REC}), which is the time from $V_{PFD}(\max)$ until the inputs are recognized. At the end of this time, the power-fail comparator is enabled and \overline{PFO} follows PFI. If the comparator is unused, PFI should be connected to V_{SS} and \overline{PFO} left unconnected.

2.6 V_{CC} noise and negative going transients

V_{CC} transients, including those produced by output switching, can produce voltage fluctuations, resulting in spikes on the V_{CC} bus. These transients can be reduced if capacitors are used to store energy which stabilizes the V_{CC} bus. The energy stored in the bypass capacitors will be released as low going spikes are generated or energy will be absorbed when overshoots occur. A ceramic bypass capacitor value of 0.1 μ F (as shown in [Figure 9 on page 14](#)) is recommended in order to provide the needed filtering.

In addition to transients that are caused by normal SRAM operation, power cycling can generate negative voltage spikes on V_{CC} that drive it to values below V_{SS} by as much as one volt. These negative spikes can cause data corruption in the SRAM while in battery backup mode. To protect from these voltage spikes, STMicroelectronics recommends connecting a schottky diode from V_{CC} to V_{SS} (cathode connected to V_{CC} , anode to V_{SS}). Schottky diode 1N5817 is recommended for through hole and MBRS120T3 is recommended for surface mount.

Figure 9. Supply voltage protection



3 Maximum ratings

Stressing the device above the rating listed in the “Absolute Maximum Ratings” table may cause permanent damage to the device. These are stress ratings only and operation of the device at these or any other conditions above those indicated in the Operating sections of this specification is not implied. Exposure to Absolute Maximum Rating conditions for extended periods may affect device reliability. Refer also to the STMicroelectronics SURE Program and other relevant quality documents.

Table 4. Absolute maximum ratings

Symbol	Parameter	Value	Unit	
T _{STG}	Storage temperature (V _{CC} off)	SNAPHAT	-40 to 85	°C
		SOIC	-55 to 125	°C
T _{SLD} ⁽¹⁾	Lead solder temperature for 10 seconds	260	°C	
V _{IO}	Input or output voltages	-0.3 to V _{CC} +0.3	V	
V _{CC}	Supply voltage	M40SZ100Y	-0.3 to 7	V
		M40SZ100W	-0.3 to 4.6	V
I _O	Output current	20	mA	
P _D	Power dissipation	1	W	

1. For SO package, Lead-free (Pb-free) lead finish: Reflow at peak temperature of 260°C (total thermal budget not to exceed 245°C for greater than 30 seconds).

Caution: Negative undershoots below -0.3V are not allowed on any pin while in the battery back-up mode.

Caution: Do NOT wave solder SOIC to avoid damaging SNAPHAT sockets.

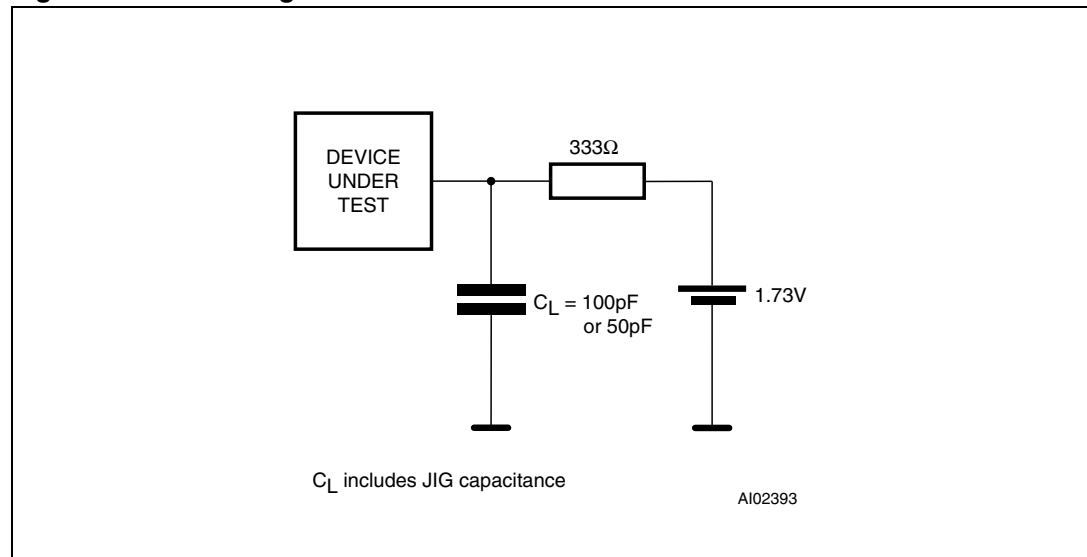
4 DC and AC parameters

This section summarizes the operating and measurement conditions, as well as the DC and AC characteristics of the device. The parameters in the following DC and AC Characteristic tables are derived from tests performed under the Measurement Conditions listed in [Table 5: DC and AC measurement conditions](#). Designers should check that the operating conditions in their projects match the measurement conditions when using the quoted parameters.

Table 5. DC and AC measurement conditions

Parameter	M40SZ100Y	M40SZ100W
V _{CC} supply voltage	4.5 to 5.5V	2.7 to 3.6V
Ambient operating temperature	-40 to 85°C	-40 to 85°C
Load capacitance (C _L)	100pF	50pF
Input rise and fall times	≤ 5ns	≤ 5ns
Input pulse voltages	0.2 to 0.8V _{CC}	0.2 to 0.8V _{CC}
Input and output timing ref. voltages	0.3 to 0.7V _{CC}	0.3 to 0.7V _{CC}

Figure 10. AC testing load circuit



Note: C_L = 100pF for M40SZ100Y and 50pF for M40SZ100W.

Figure 11. AC testing input/output waveforms

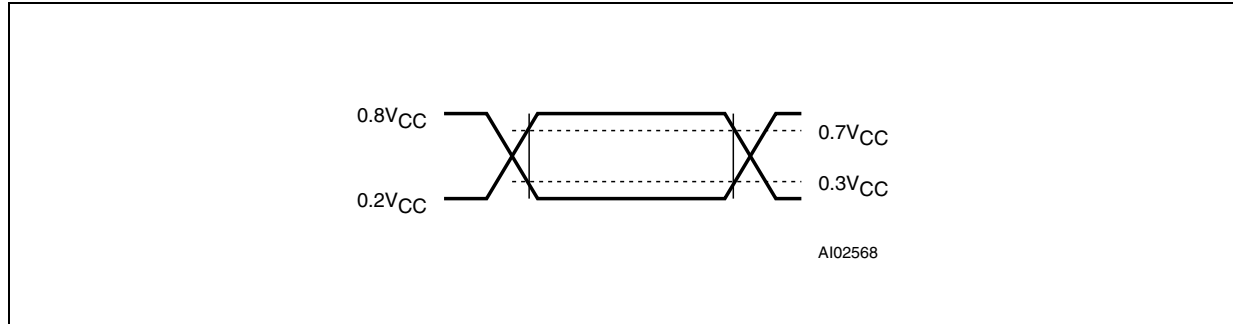


Table 6. Capacitance

Symbol	Parameter ⁽¹⁾⁽²⁾	Min	Max	Unit
C_{IN}	Input capacitance		7	pF
$C_{OUT}^{(3)}$	Output capacitance		10	pF

1. Sampled only, not 100% tested.
2. At 25°C, f = 1MHz.
3. Outputs deselected.

Table 7. DC characteristics

Sym	Parameter	Test condition ⁽¹⁾	M40SZ100Y			M40SZ100W			Unit
			Min	Typ	Max	Min	Typ	Max	
I_{CC}	Supply current	Outputs open			1			0.5	mA
I_{CCDR}	Data retention mode current ⁽²⁾			50	200		50	200	nA
$I_{LI}^{(3)}$	Input leakage current	$0V \leq V_{IN} \leq V_{CC}$			± 1			± 1	μA
	Input leakage current (PFI)		-25	2	25	-25	2	25	nA
$I_{LO}^{(4)}$	Output leakage current	$0V \leq V_{OUT} \leq V_{CC}$			± 1			± 1	μA
$I_{OUT1}^{(5)}$	V_{OUT} current (active)	$V_{OUT} > V_{CC} - 0.3$			175			100	mA
I_{OUT2}	V_{OUT} current (battery back-up)	$V_{OUT} > V_{BAT} - 0.3$			100			100	μA
V_{BAT}	Battery voltage		2.5	3.0	3.5 ⁽⁶⁾	2.5	3.0	3.5 ⁽⁶⁾	V
V_{IH}	Input high voltage		$0.7V_{CC}$		$V_{CC} + 0.3$	$0.7V_{CC}$		$V_{CC} + 0.3$	V
V_{IL}	Input low voltage		-0.3		$0.3V_{CC}$	-0.3		$0.3V_{CC}$	V
V_{OH}	Output high voltage ⁽⁷⁾	$I_{OH} = -1.0mA$	2.4			2.4			V
V_{OHB}	V_{OH} battery back-up ⁽⁸⁾	$I_{OUT2} = -1.0\mu A$	2.5	2.9	3.5	2.5	2.9	3.5	V
V_{OL}	Output low voltage	$I_{OL} = 3.0mA$			0.4			0.4	V
	Output low voltage (open drain) ⁽⁹⁾	$I_{OL} = 10mA$			0.4			0.4	V

Table 7. DC characteristics (continued)

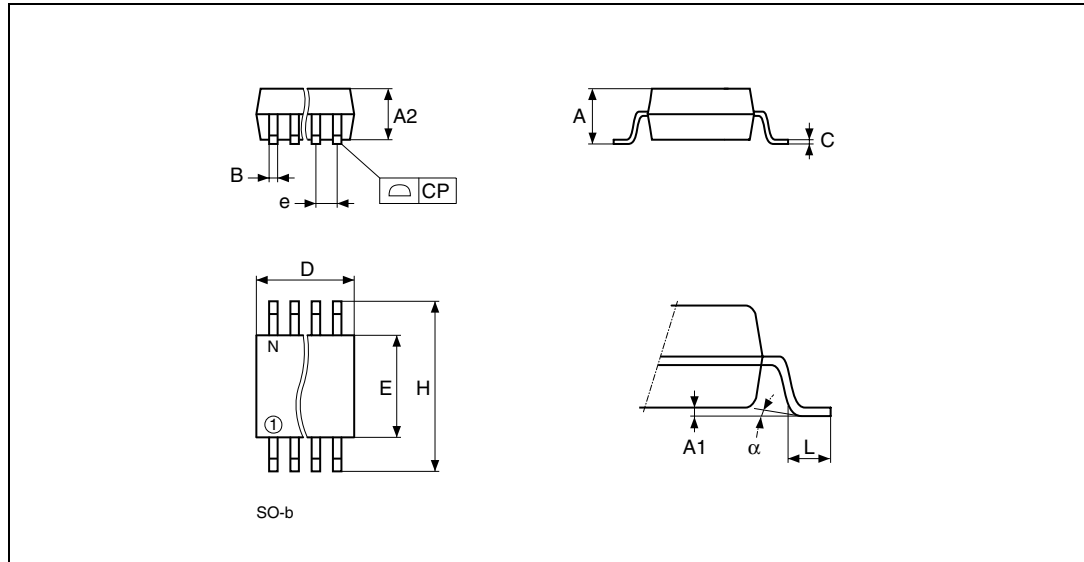
Sym	Parameter	Test condition ⁽¹⁾	M40SZ100Y			M40SZ100W			Unit
			Min	Typ	Max	Min	Typ	Max	
V _{PFD}	Power-fail deselect voltage		4.20	4.4 0	4.50	2.55	2.60	2.70	V
V _{PFI}	PFI input threshold	V _{CC} = 5V(Y) V _{CC} = 3V(V)	1.225	1.2 50	1.275	1.225	1.25 0	1.275	V
	PFI hysteresis	PFI rising		20	70		20	70	mV
V _{SO}	Battery back-up switchover voltage			2.5			2.5		V

- Valid for ambient operating temperature: T_A = -40 to 85°C; V_{CC} = 2.7 to 3.6V or 4.5 to 5.5V(except where noted).
- Measured with V_{OUT} and \bar{E}_{CON} open.
- \bar{RSTIN} internally pulled-up to V_{CC} through 100kΩ resistor.
- Outputs deselected.
- External SRAM must match SUPERVISOR chip V_{CC} specification (3V or 5V).
- For rechargeable back-up, V_{BAT} (max) may be considered V_{CC} - 0.5V.
- For \bar{PFO} pin (CMOS).
- Chip enable output (\bar{E}_{CON}) can only sustain CMOS leakage currents in the battery back-up mode. Higher leakage currents will reduce battery life.
- For \bar{RST} & \bar{BL} pins (open drain).

5 Package mechanical data

In order to meet environmental requirements, ST offers these devices in ECOPACK[®] packages. These packages have a lead-free second level interconnect. The category of second Level Interconnect is marked on the package and on the inner box label, in compliance with JEDEC Standard JESD97. The maximum ratings related to soldering conditions are also marked on the inner box label. ECOPACK is an ST trademark. ECOPACK specifications are available at: www.st.com.

Figure 12. SO16 – 16-lead plastic small package outline

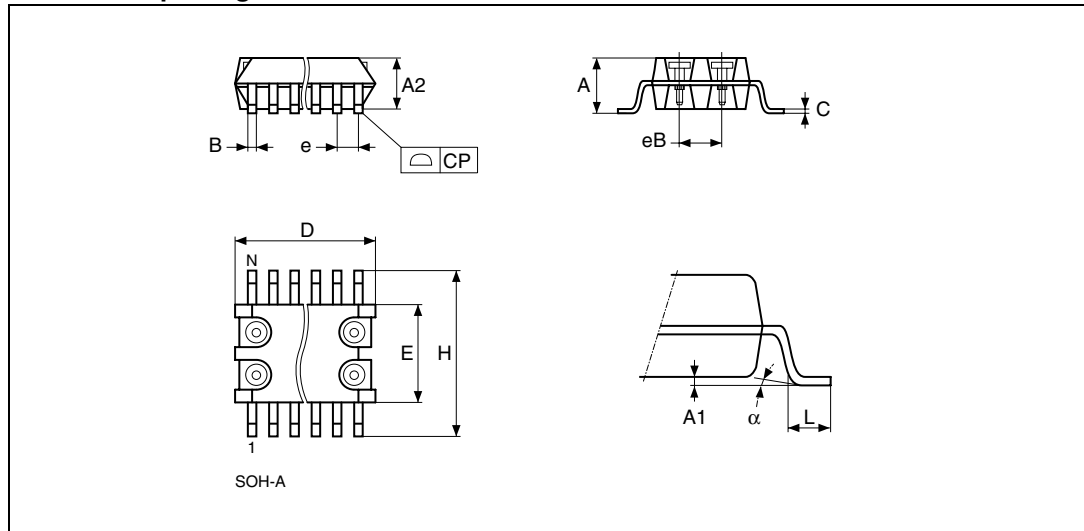


Note: Drawing is not to scale.

Table 8. SO16 – 16-lead plastic small plastic package mechanical data

Symbol	mm			inches		
	Typ.	Min.	Max.	Typ.	Min.	Max.
A			1.75			0.069
A1		0.10	0.25		0.004	0.010
A2			1.60			0.063
B		0.35	0.46		0.014	0.018
C		0.19	0.25		0.007	0.010
D		9.80	10.00		0.386	0.394
E		3.80	4.00		0.150	0.158
e	1.27	–	–	0.050	–	–
H		5.80	6.20		0.228	0.244
L		0.40	1.27		0.016	0.050
a		0°	8°		0°	8°
N	16			16		
CP			0.10			0.004

Figure 13. SOH28 – 28-lead plastic small outline, 4-socket battery SNAPHAT, package outline

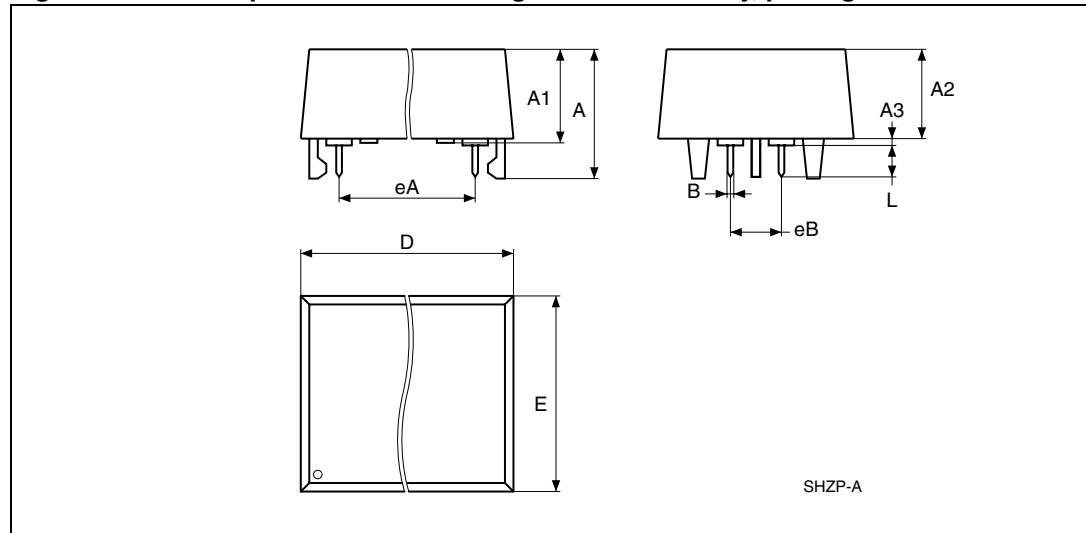


Note: Drawing is not to scale.

Table 9. SOH28 – 28-lead plastic small outline, battery SNAPHAT, pack. mech. data

Symbol	mm			inches		
	Typ	Min	Max	Typ	Min	Max
A			3.05			0.120
A1		0.05	0.36		0.002	0.014
A2		2.34	2.69		0.092	0.106
B		0.36	0.51		0.014	0.020
C		0.15	0.32		0.006	0.012
D		17.71	18.49		0.697	0.728
E		8.23	8.89		0.324	0.350
e	1.27	–	–	0.050	–	–
eB		3.20	3.61		0.126	0.142
H		11.51	12.70		0.453	0.500
L		0.41	1.27		0.016	0.050
a		0°	8°		0°	8°
N	28			28		
CP			0.10			0.004

Figure 14. SH – 4-pin SNAPHAT housing for 48mAh battery, package outline

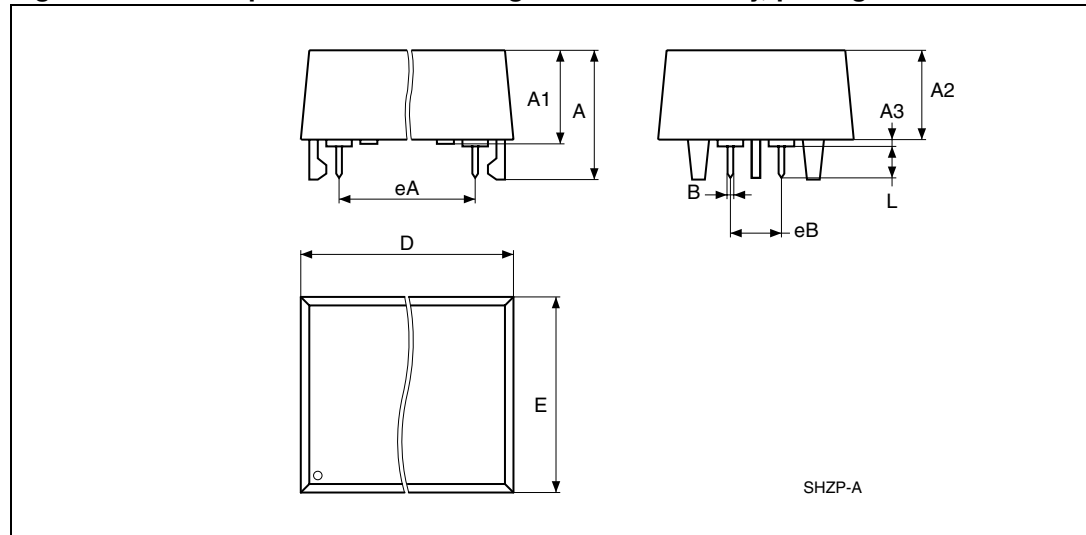


Note: Drawing is not to scale.

Table 10. SH – 4-pin SNAPHAT housing for 48mAh battery, package mechanical data

Symbol	mm			inches		
	Typ	Min	Max	Typ	Min	Max
A			9.78			0.385
A1		6.73	7.24		0.265	0.285
A2		6.48	6.99		0.255	0.275
A3			0.38			0.015
B		0.46	0.56		0.018	0.022
D		21.21	21.84		0.835	0.860
E		14.22	14.99		0.560	0.590
eA		15.55	15.95		0.612	0.628
eB		3.20	3.61		0.126	0.142
L		2.03	2.29		0.080	0.090

Figure 15. SH – 4-pin SNAPHAT housing for 120mAh battery, package outline



Note: Drawing is not to scale.

Table 11. SH – 4-pin SNAPHAT housing for 120mAh battery, package mechanical data

Symbol	mm			inches		
	Typ	Min	Max	Typ	Min	Max
A			10.54			0.415
A1		8.00	8.51		0.315	0.335
A2		7.24	8.00		0.285	0.315
A3			0.38			0.015
B		0.46	0.56		0.018	0.022
D		21.21	21.84		0.835	0.860
E		17.27	18.03		0.680	0.710
eA		15.55	15.95		0.612	0.628
eB		3.20	3.61		0.126	0.142
L		2.03	2.29		0.080	0.090

6 Part numbering

Table 12. Ordering information scheme

Example:	M40SZ	100Y	MQ	6	E
Device type					
M40SZ					
Supply voltage and write protect voltage					
100Y = $V_{CC} = 4.5$ to $5.5V$; $V_{PFD} = 4.2$ to $4.5V$					
100W = $V_{CC} = 2.7$ to $3.6V$; $V_{PFD} = 2.6$ to $2.7V$					
Package					
MQ = SO16					
MH ⁽¹⁾⁽²⁾ = SOH28					
Temperature range					
6 = -40 to $85^{\circ}C$					
Shipping method					
E = Lead-free ECOPACK [®] package, tubes					
F = Lead-free ECOPACK [®] package, tape & reel					

1. The SOIC package (SOH28) requires the battery package (SNAPHAT[®]) which is ordered separately under the part number "M4ZXX-BR00SHX" in plastic tube or "M4ZXX-BR00SHXTR" in tape & reel form.
2. Contact local sales office for availability

Caution: Do not place the SNAPHAT battery package "M4Zxx-BR00SH" in conductive foam as it will drain the lithium button-cell battery.

For a list of available options (e.g., speed, package) or for further information on any aspect of this device, please contact the ST sales office nearest to you.

Table 13. SNAPHAT[®] battery table

Part number	Description	Package
M4Z28-BR00SH	SNAPHAT housing for 48mAh battery	SH
M4Z32-BR00SH	SNAPHAT housing for 120mAh battery	SH

7 Revision history

Table 14. Document revision history

Date	Revision	Changes
Dec-2001	1.0	First Issue
13-May-2002	1.1	Modify reflow time and temperature footnote (Table 4)
01-Aug-2002	1.2	Add marketing status (cover page; Table 12)
15-Sep-2003	1.3	Remove reference to M68xxx (obsolete) part (Figure 5); update disclaimer
20-Nov-2007	2	Reformatted document; added lead-free second level interconnect information to cover page and Section 5: Package mechanical data ; updated Table 4 and 12 .

Please Read Carefully:

Information in this document is provided solely in connection with ST products. STMicroelectronics NV and its subsidiaries ("ST") reserve the right to make changes, corrections, modifications or improvements, to this document, and the products and services described herein at any time, without notice.

All ST products are sold pursuant to ST's terms and conditions of sale.

Purchasers are solely responsible for the choice, selection and use of the ST products and services described herein, and ST assumes no liability whatsoever relating to the choice, selection or use of the ST products and services described herein.

No license, express or implied, by estoppel or otherwise, to any intellectual property rights is granted under this document. If any part of this document refers to any third party products or services it shall not be deemed a license grant by ST for the use of such third party products or services, or any intellectual property contained therein or considered as a warranty covering the use in any manner whatsoever of such third party products or services or any intellectual property contained therein.

UNLESS OTHERWISE SET FORTH IN ST'S TERMS AND CONDITIONS OF SALE ST DISCLAIMS ANY EXPRESS OR IMPLIED WARRANTY WITH RESPECT TO THE USE AND/OR SALE OF ST PRODUCTS INCLUDING WITHOUT LIMITATION IMPLIED WARRANTIES OF MERCHANTABILITY, FITNESS FOR A PARTICULAR PURPOSE (AND THEIR EQUIVALENTS UNDER THE LAWS OF ANY JURISDICTION), OR INFRINGEMENT OF ANY PATENT, COPYRIGHT OR OTHER INTELLECTUAL PROPERTY RIGHT.

UNLESS EXPRESSLY APPROVED IN WRITING BY AN AUTHORIZED ST REPRESENTATIVE, ST PRODUCTS ARE NOT RECOMMENDED, AUTHORIZED OR WARRANTED FOR USE IN MILITARY, AIR CRAFT, SPACE, LIFE SAVING, OR LIFE SUSTAINING APPLICATIONS, NOR IN PRODUCTS OR SYSTEMS WHERE FAILURE OR MALFUNCTION MAY RESULT IN PERSONAL INJURY, DEATH, OR SEVERE PROPERTY OR ENVIRONMENTAL DAMAGE. ST PRODUCTS WHICH ARE NOT SPECIFIED AS "AUTOMOTIVE GRADE" MAY ONLY BE USED IN AUTOMOTIVE APPLICATIONS AT USER'S OWN RISK.

Resale of ST products with provisions different from the statements and/or technical features set forth in this document shall immediately void any warranty granted by ST for the ST product or service described herein and shall not create or extend in any manner whatsoever, any liability of ST.

ST and the ST logo are trademarks or registered trademarks of ST in various countries.

Information in this document supersedes and replaces all information previously supplied.

The ST logo is a registered trademark of STMicroelectronics. All other names are the property of their respective owners.

© 2007 STMicroelectronics - All rights reserved

STMicroelectronics group of companies

Australia - Belgium - Brazil - Canada - China - Czech Republic - Finland - France - Germany - Hong Kong - India - Israel - Italy - Japan - Malaysia - Malta - Morocco - Singapore - Spain - Sweden - Switzerland - United Kingdom - United States of America

www.st.com

