

High voltage NPN power transistor for CRT TV

Features

- State-of-the-art technology:
 - diffused collector “enhanced generation”
- Stable performance versus operating temperature variation
- Low base drive requirement
- Tight h_{FE} range at operating collector current
- Fully isolated power package UL compliant
- Integrated free wheeling diode

Application

- Horizontal deflection output for CRT TV

Description

The MD2009DFX is manufactured using diffused collector in planar technology adopting new and enhanced high voltage structure. The new MD product series show improved silicon efficiency bringing updated performance to the horizontal deflection stage.

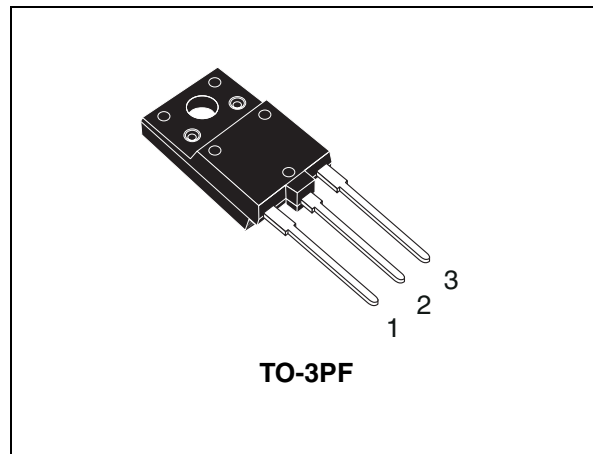


Figure 1. Internal schematic diagram

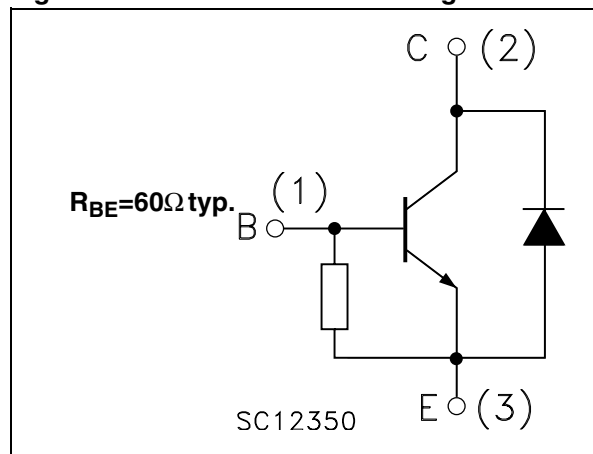


Table 1. Device summary

| Order code | Marking | Package | Packaging |
|------------|-----------|---------|-----------|
| MD2009DFX | MD2009DFX | TO-3PF | Tube |

1 Electrical ratings

Table 2. Absolute maximum ratings

| Symbol | Parameter | Value | Unit |
|-----------|-----------------------------------------------------------------------------|------------|------|
| V_{CES} | Collector-emitter voltage ($V_{BE} = 0$) | 1500 | V |
| V_{CEO} | Collector-emitter voltage ($I_B = 0$) | 700 | V |
| V_{EBO} | Base-emitter voltage ($I_C = 0$) | 7 | V |
| I_C | Collector current | 10 | A |
| I_{CM} | Collector peak current ($t_P < 5\text{ms}$) | 16 | A |
| I_B | Base current | 6 | A |
| P_{TOT} | Total dissipation at $T_C = 25^\circ\text{C}$ | 58 | W |
| V_{ISO} | Isolation withstand voltage (RMS) from all three leads to external heatsink | 2500 | V |
| T_{stg} | Storage temperature | -65 to 150 | °C |
| T_J | Max. operating junction temperature | 150 | |

Table 3. Thermal data

| Symbol | Parameter | Value | Unit |
|----------------|--------------------------------------|-------|------|
| $R_{thj-case}$ | Thermal resistance junction-case max | 2.15 | °C/W |

2 Electrical characteristics

($T_{\text{case}} = 25^{\circ}\text{C}$ unless otherwise specified)

Table 4. Electrical characteristics

| Symbol | Parameter | Test conditions | Min. | Typ. | Max. | Unit |
|-----------------------------------|-------------------------------------------------------|----------------------------------------------------------------------------------------------------------------------------------------------------------------------------------------------|------|------------|----------|--------------------------------|
| I_{CES} | Collector cut-off current ($V_{\text{BE}} = 0$) | $V_{\text{CE}} = 1500\text{V}$ $V_{\text{CE}} = 1500\text{V}, T_{\text{c}} = 125^{\circ}\text{C}$ | | | 0.2 2 | mA mA |
| I_{EBO} | Emitter cut-off current ($I_{\text{C}} = 0$) | $V_{\text{EB}} = 5\text{V}$ | 40 | | 120 | mA |
| $V_{(\text{BR})\text{EBO}}$ | Emitter-base breakdown voltage ($I_{\text{C}} = 0$) | $I_{\text{E}} = 700\text{mA}$ | 10 | | | V |
| $V_{\text{CE}(\text{sat})}^{(1)}$ | Collector-emitter saturation voltage | $I_{\text{C}} = 5.5\text{A}, I_{\text{B}} = 1.4\text{A}$ | | | 2.8 | V |
| $V_{\text{BE}(\text{sat})}^{(1)}$ | Base-emitter saturation voltage | $I_{\text{C}} = 5.5\text{A}, I_{\text{B}} = 1.4\text{A}$ | | | 1.3 | V |
| $h_{\text{FE}}^{(1)}$ | DC current gain | $I_{\text{C}} = 1\text{A}, V_{\text{CE}} = 5\text{V}$ $I_{\text{C}} = 5.5\text{A}, V_{\text{CE}} = 1\text{V}$ $I_{\text{C}} = 5.5\text{A}, V_{\text{CE}} = 5\text{V}$ | 5 | 18 4.7 | 7 | |
| $V_{\text{F}}^{(1)}$ | Diode forward voltage | $I_{\text{F}} = 5.5\text{A}$ | | | 1.6 | V |
| t_{s} t_{f} | Inductive load Storage time Fall time | $I_{\text{C}} = 5\text{A}, f_{\text{h}} = 16\text{KHz}$ $I_{\text{B}(\text{on})} = 1.5\text{A}, V_{\text{BE}(\text{off})} = -2.7\text{V}$ $L_{\text{BB}(\text{off})} = 6.2\mu\text{H}$ | | 4.5 0.3 | 6 0.6 | μs μs |

1. Pulse test: pulse duration $\leq 300\ \mu\text{s}$, duty cycle $\leq 2\%$.

2.1 Electrical characteristics (curves)

Figure 2. Safe operating area

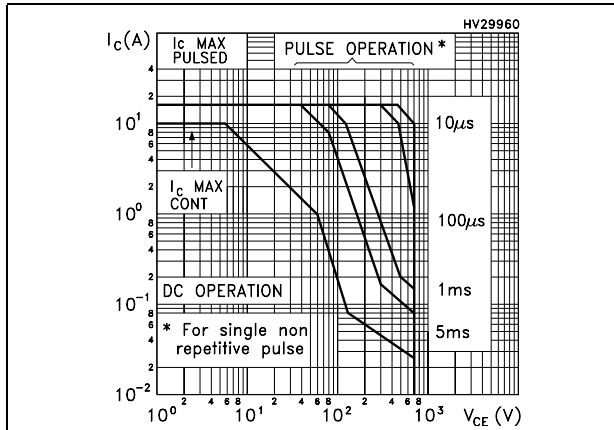


Figure 3. Derating curve

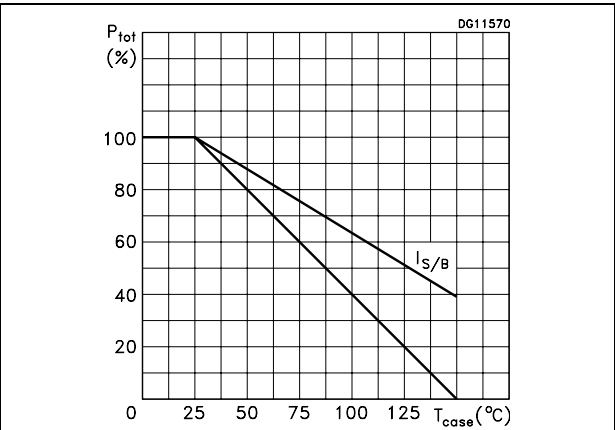


Figure 4. Output characteristics

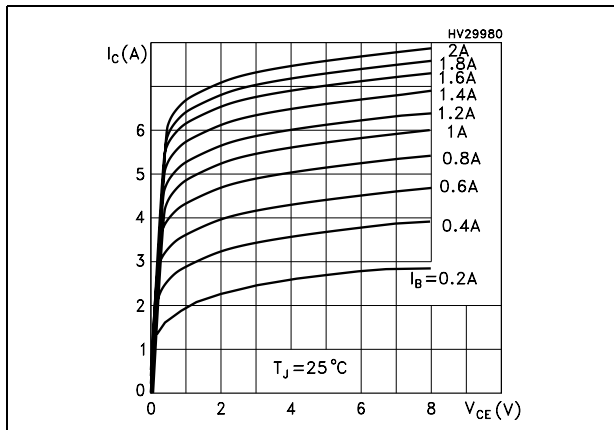


Figure 5. Reverse biased SOA

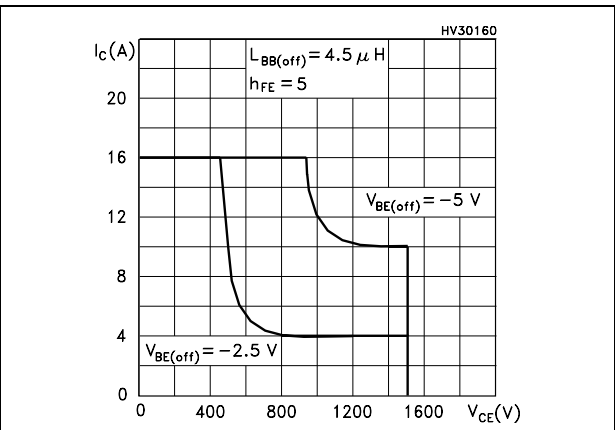


Figure 6. DC current gain ($V_{CE} = 1$ V)

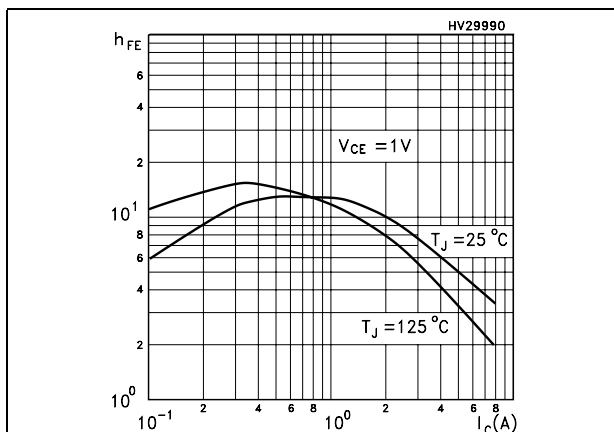


Figure 7. DC current gain ($V_{CE} = 5$ V)

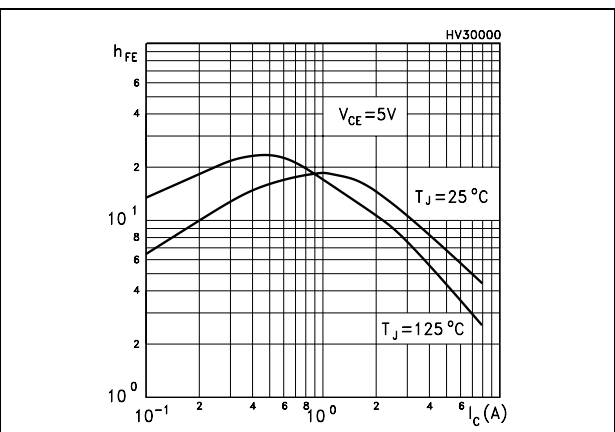


Figure 8. Collector-emitter saturation voltage Figure 9. Base-emitter saturation voltage

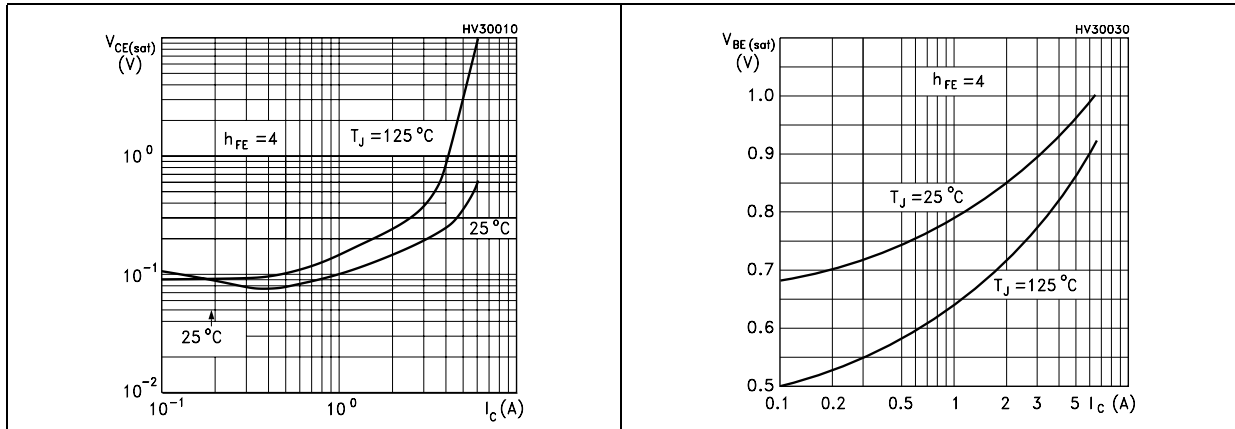
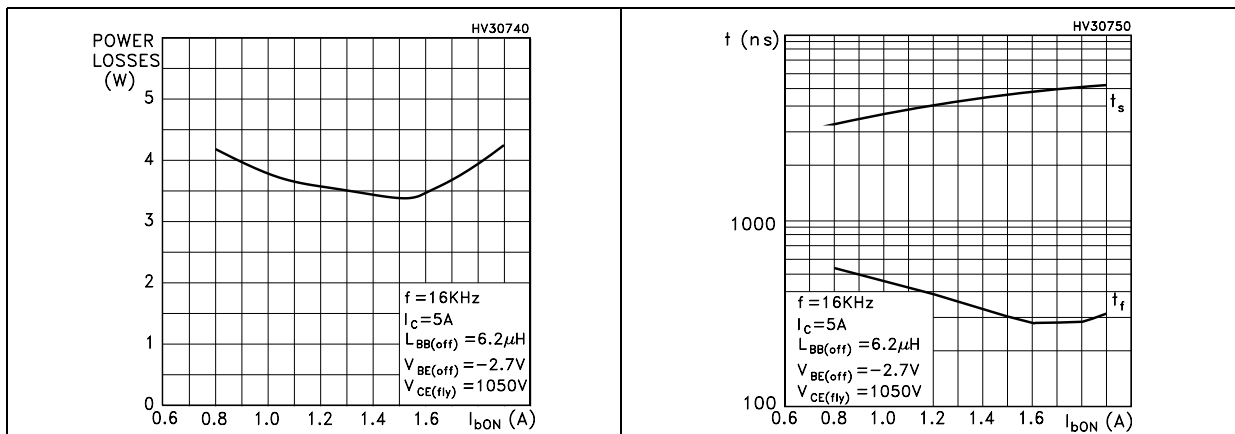


Figure 10. Power losses

Figure 11. Inductive load switching time



3 Test circuits

Figure 12. Power losses and inductive load switching test circuit

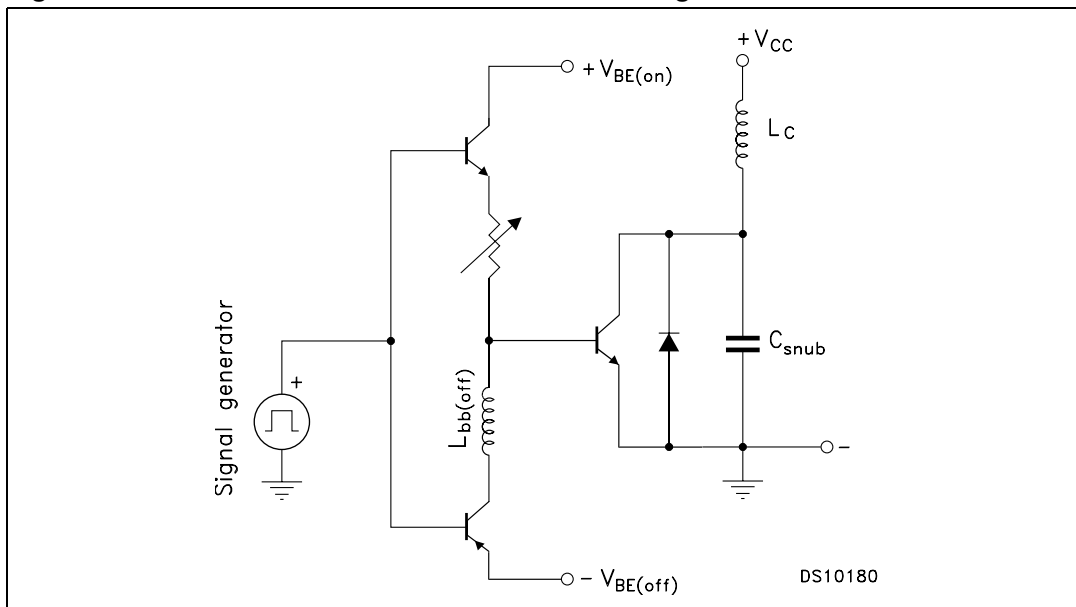
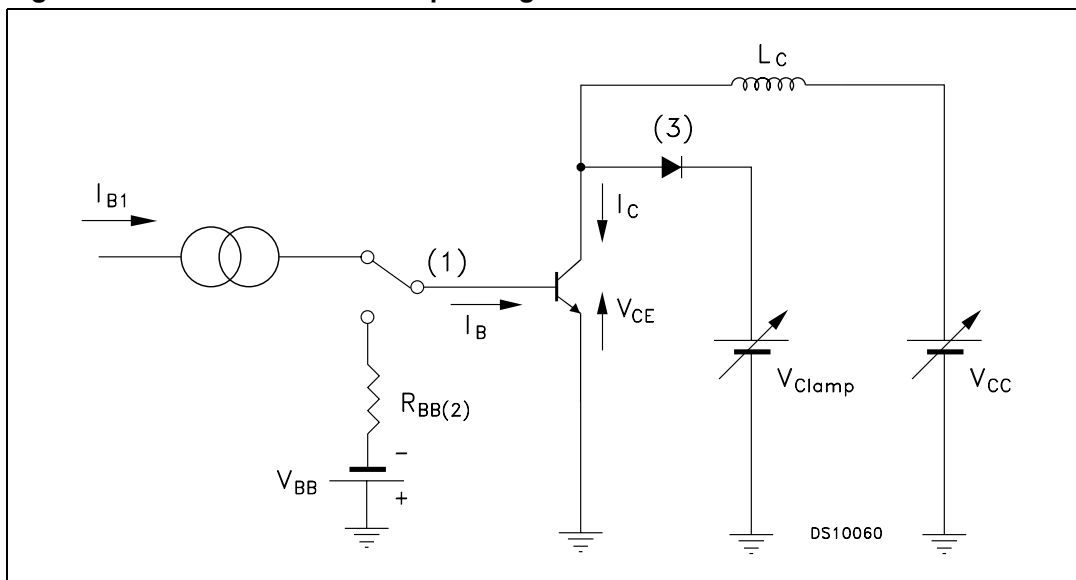


Figure 13. Reverse biased safe operating area test circuit



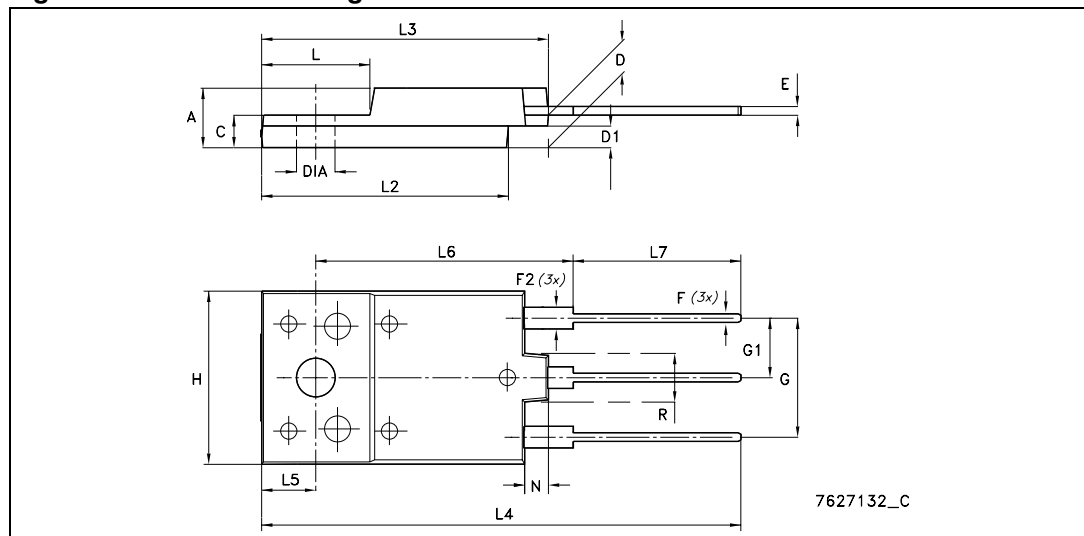
4 Package mechanical data

In order to meet environmental requirements, ST offers these devices in different grades of ECOPACK[®] packages, depending on their level of environmental compliance. ECOPACK[®] specifications, grade definitions and product status are available at: www.st.com. ECOPACK is an ST trademark.

Table 5. TO-3PF package mechanical data

| Dim. | mm. | | |
|------|-------|------|-------|
| | min. | typ. | max. |
| A | 5.30 | | 5.70 |
| C | 2.80 | | 3.20 |
| D | 3.10 | | 3.50 |
| D1 | 1.80 | | 2.20 |
| E | 0.80 | | 1.10 |
| F | 0.65 | | 0.95 |
| F2 | 1.80 | | 2.20 |
| G | 10.30 | | 11.50 |
| G1 | | 5.45 | |
| H | 15.30 | | 15.70 |
| L | 9.80 | 10 | 10.20 |
| L2 | 22.80 | | 23.20 |
| L3 | 26.30 | | 26.70 |
| L4 | 43.20 | | 44.40 |
| L5 | 4.30 | | 4.70 |
| L6 | 24.30 | | 24.70 |
| L7 | 14.60 | | 15 |
| N | 1.80 | | 2.20 |
| R | 3.80 | | 4.20 |
| Dia | 3.40 | | 3.80 |

Figure 14. TO-3PF drawing



5 Revision history

Table 6. Document revision history

| Date | Revision | Changes |
|-------------|----------|-----------------------------------------------------------------------|
| 27-Feb-2006 | 1 | First release |
| 28-Mar-2006 | 2 | New curves 9 and 10 inserted |
| 22-May-2006 | 3 | Values changed on Table 2 and Table 4 |
| 20-Oct-2006 | 4 | New hFE limits shown on Table 4 |
| 10-Aug-2009 | 5 | Update mechanical data Document reformatted, no content change |

Please Read Carefully:

Information in this document is provided solely in connection with ST products. STMicroelectronics NV and its subsidiaries ("ST") reserve the right to make changes, corrections, modifications or improvements, to this document, and the products and services described herein at any time, without notice.

All ST products are sold pursuant to ST's terms and conditions of sale.

Purchasers are solely responsible for the choice, selection and use of the ST products and services described herein, and ST assumes no liability whatsoever relating to the choice, selection or use of the ST products and services described herein.

No license, express or implied, by estoppel or otherwise, to any intellectual property rights is granted under this document. If any part of this document refers to any third party products or services it shall not be deemed a license grant by ST for the use of such third party products or services, or any intellectual property contained therein or considered as a warranty covering the use in any manner whatsoever of such third party products or services or any intellectual property contained therein.

UNLESS OTHERWISE SET FORTH IN ST'S TERMS AND CONDITIONS OF SALE ST DISCLAIMS ANY EXPRESS OR IMPLIED WARRANTY WITH RESPECT TO THE USE AND/OR SALE OF ST PRODUCTS INCLUDING WITHOUT LIMITATION IMPLIED WARRANTIES OF MERCHANTABILITY, FITNESS FOR A PARTICULAR PURPOSE (AND THEIR EQUIVALENTS UNDER THE LAWS OF ANY JURISDICTION), OR INFRINGEMENT OF ANY PATENT, COPYRIGHT OR OTHER INTELLECTUAL PROPERTY RIGHT.

UNLESS EXPRESSLY APPROVED IN WRITING BY AN AUTHORIZED ST REPRESENTATIVE, ST PRODUCTS ARE NOT RECOMMENDED, AUTHORIZED OR WARRANTED FOR USE IN MILITARY, AIR CRAFT, SPACE, LIFE SAVING, OR LIFE SUSTAINING APPLICATIONS, NOR IN PRODUCTS OR SYSTEMS WHERE FAILURE OR MALFUNCTION MAY RESULT IN PERSONAL INJURY, DEATH, OR SEVERE PROPERTY OR ENVIRONMENTAL DAMAGE. ST PRODUCTS WHICH ARE NOT SPECIFIED AS "AUTOMOTIVE GRADE" MAY ONLY BE USED IN AUTOMOTIVE APPLICATIONS AT USER'S OWN RISK.

Resale of ST products with provisions different from the statements and/or technical features set forth in this document shall immediately void any warranty granted by ST for the ST product or service described herein and shall not create or extend in any manner whatsoever, any liability of ST.

ST and the ST logo are trademarks or registered trademarks of ST in various countries.

Information in this document supersedes and replaces all information previously supplied.

The ST logo is a registered trademark of STMicroelectronics. All other names are the property of their respective owners.

© 2009 STMicroelectronics - All rights reserved

STMicroelectronics group of companies

Australia - Belgium - Brazil - Canada - China - Czech Republic - Finland - France - Germany - Hong Kong - India - Israel - Italy - Japan - Malaysia - Malta - Morocco - Philippines - Singapore - Spain - Sweden - Switzerland - United Kingdom - United States of America

www.st.com