

4-bit dual supply level translator without direction control pin

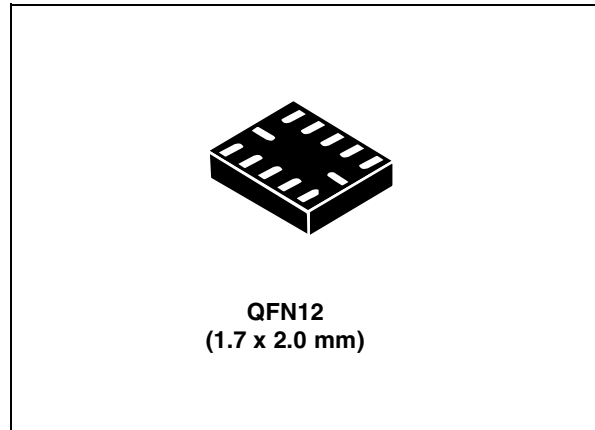
Datasheet – production data

Features

- 45 MHz: 90 Mbps (max.) data rate at $V_L = 1.8\text{ V}$, $V_{CC} = 3.3\text{ V}$
- Bi-directional level translation without direction control pin
- Wide voltage range ($V_L \leq V_{CC}$):
 - V_L ranges from 1.65 to 3.6 V
 - V_{CC} ranges from 1.65 to 5.5 V
- Totem-pole driving
- 5.5 V tolerant enable pin
- ESD performance on all pins: $\pm 2\text{ kV HBM}$
- Small package and footprint
QFN12 (1.7 x 2.0 mm)

Applications

- Low-voltage system level translation
- Mobile phones and other mobile devices


Table 1. Device summary

Order code	Package	Packing	Package topmark
ST2149BQTR	QFN12 (1.7 x 2.0 mm)	Tape and reel (3000 parts per reel)	49A

Contents

1	Description	5
2	Pin settings	6
	2.1 Pin connection	6
	2.2 Pin description	6
3	Logic diagram	7
	Device block diagrams	7
4	Supplementary notes	9
	4.1 Driver requirement	9
	4.2 Load driving capability	9
	4.3 Truth table	9
5	Maximum ratings	10
	Recommended operating conditions	10
6	Electrical characteristics	11
	AC characteristics	13
7	Test circuit	16
8	Package mechanical data	18
9	Revision history	22

List of tables

Table 1.	Device summary	1
Table 2.	Pin description	6
Table 3.	Truth table.	9
Table 4.	Absolute maximum ratings	10
Table 5.	Recommended operating conditions	10
Table 6.	DC characteristics	11
Table 7.	AC characteristics - test conditions: $V_L = 1.65 - 1.95 \text{ V}$	13
Table 8.	AC characteristics - test conditions: $V_L = 2.3 - 2.7 \text{ V}$	14
Table 9.	AC characteristics - test conditions: $V_L = 3.0 - 3.6 \text{ V}$	15
Table 10.	Test circuit switches	16
Table 11.	Waveform symbol value	16
Table 12.	Mechanical data for QFN12 (1.7 x 2.0 mm) - 0.40 mm pitch	19
Table 13.	Carrier tape dimensions	20
Table 14.	Reel dimensions	21
Table 15.	Document revision history	22

List of figures

Figure 1.	Pin connection (top through view)	6
Figure 2.	Logic block diagram	7
Figure 3.	ST2149BQTR block diagram	7
Figure 4.	Application block diagram	8
Figure 5.	Test circuit	16
Figure 6.	Waveform - propagation delay (f = 1 MHz, 50% duty cycle).	17
Figure 7.	Waveform - output enable and disable time (f = 1 MHz, 50% duty cycle)	17
Figure 8.	Package outline for QFN12 (1.7 x 2.0 mm) - 0.40 mm pitch.	18
Figure 9.	Carrier tape for QFN12 (1.7 x 2.0 mm) - 0.40 mm pitch	20
Figure 10.	Reel information for QFN12 (1.7 x 2.0 mm) - 0.40 mm pitch	21

1 Description

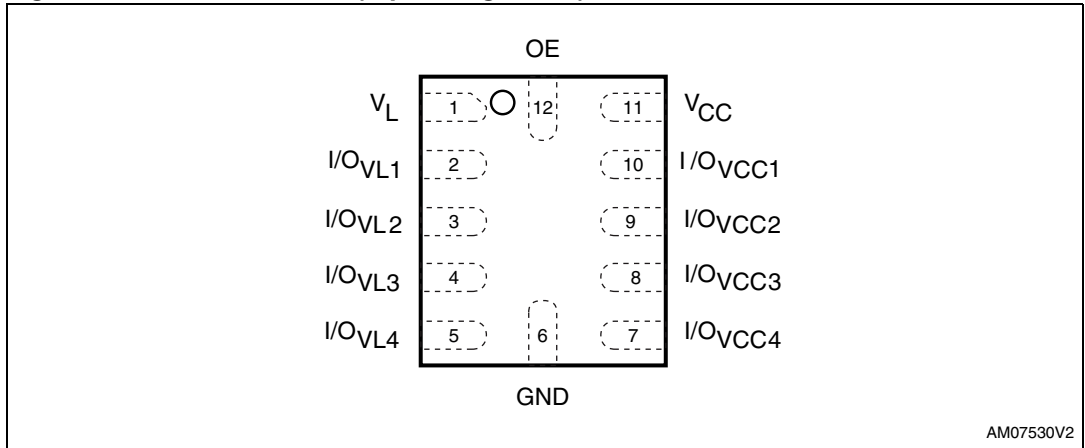
The ST2149B is a 4-bit dual supply level translator which provides the level shifting capability to allow data transfer in a multi-voltage system. Externally applied voltages, V_{CC} and V_L , set the logic levels on either side of the device. Its architecture allows bi-directional level translation without a control pin.

The ST2149B accepts V_L from 1.65 to 3.6 V and V_{CC} from V_L to 5.5 V, making it ideal for data transfer between low-voltage ASICs/PLD and higher voltage systems. This device has a tri-state output mode which can be used to disable all I/Os.

2 Pin settings

2.1 Pin connection

Figure 1. Pin connection (top through view)



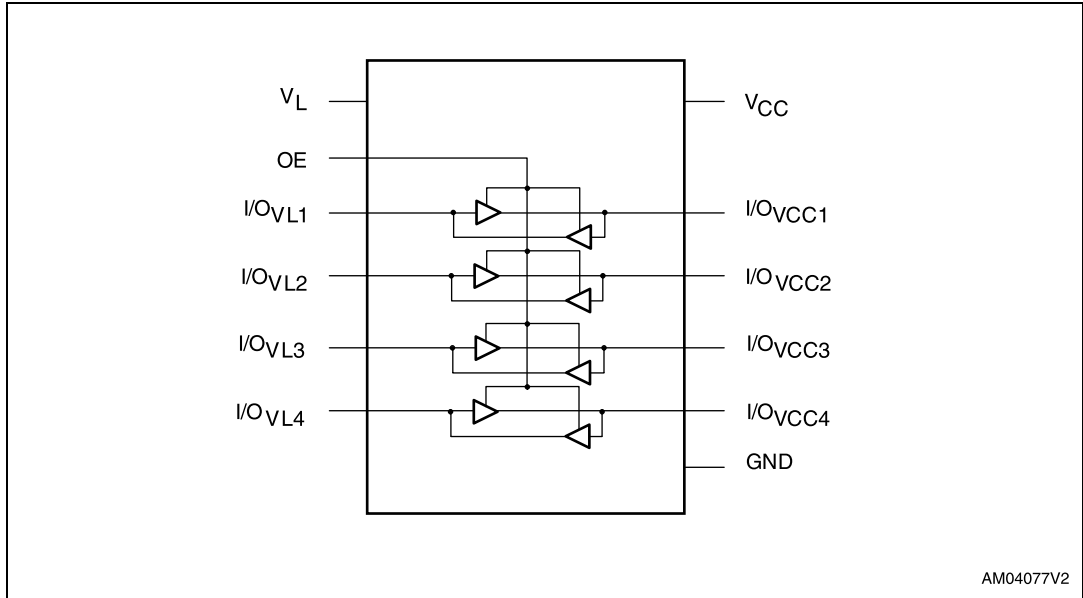
2.2 Pin description

Table 2. Pin description

Pin number	Symbol	Name and function
1	V_L	Supply voltage
2	I/O_{VL1}	Data input/output
3	I/O_{VL2}	Data input/output
4	I/O_{VL3}	Data input/output
5	I/O_{VL4}	Data input/output
6	GND	Ground
7	I/O_{VCC4}	Data input/output
8	I/O_{VCC3}	Data input/output
9	I/O_{VCC2}	Data input/output
10	I/O_{VCC1}	Data input/output
11	V_{CC}	Supply voltage
12	OE	Output enable

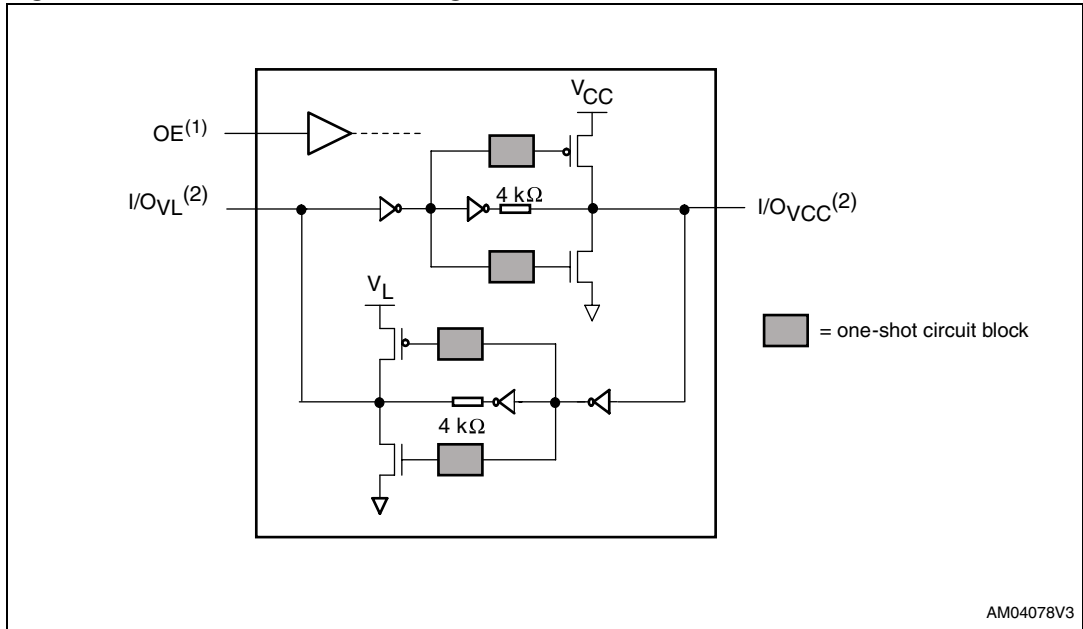
3 Logic diagram

Figure 2. Logic block diagram



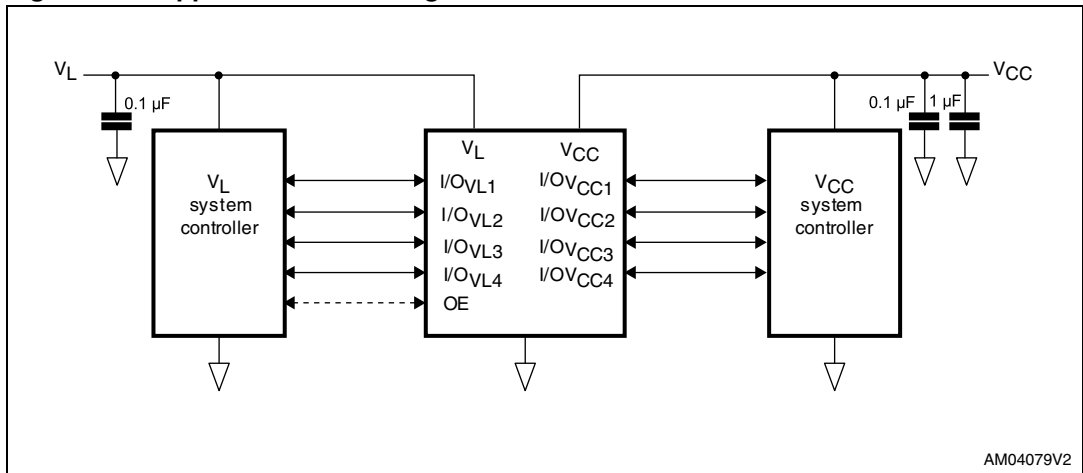
Device block diagrams

Figure 3. ST2149BQTR block diagram



1. When OE is LOW, all I/Os are in high-impedance mode.
2. ST2149BQTR has 4 channels. For simplicity, the above diagram shows only 1 channel.

Figure 4. Application block diagram



4 Supplementary notes

4.1 Driver requirement

For proper operation, the driver from each side of the device must be able to source and sink a minimum of 1 mA current. The device architecture requires the driver to source/sink maximum current of ($V_{CC}/4$) mA to/from the weak 4 k Ω output buffer.

4.2 Load driving capability

To support the architecture that allows level translation without the direction pin, the one-shot transistor is turned ON only during state transition at the output side. After the one-shot transistor is turned OFF, only the 4 k Ω resistor maintains the output logic state. So, a resistive load or pull-up resistor less than 50 k Ω is not recommended for proper operation.

4.3 Truth table

Table 3. Truth table

Enable	Bi-directional input/output	
OE	I/O _{VCC}	I/O _{VL}
H ⁽¹⁾	H ⁽²⁾	H ⁽¹⁾
H ⁽¹⁾	L	L
L	Z ⁽³⁾	Z ⁽³⁾

1. High level V_L power supply referred.
2. High level V_{CC} power supply referred.
3. Z = high impedance.

5 Maximum ratings

Stressing the device above the ratings listed in [Table 4](#) may cause permanent damage to the device. These are stress ratings only and operation of the device at these or any other conditions above those indicated in [Recommended operating conditions](#) of this specification is not implied. Exposure to absolute maximum rating conditions for extended periods may affect device reliability.

Table 4. Absolute maximum ratings

Symbol	Parameter	Value	Unit
V_L	Supply voltage	-0.3 to 4.6	V
V_{CC}	Supply voltage	-0.3 to 6.5	V
V_{OE}	DC control input voltage	-0.3 to 6.5	V
$V_{I/OVL}$	DC I/O _{VL} input voltage (OE = GND or V_L)	-0.3 to $V_L + 0.3$	V
$V_{I/OVCC}$	DC I/O _{VCC} input voltage (OE = GND or V_L)	-0.3 to $V_{CC} + 0.3$	V
I_{IK}	DC input diode current	-20	mA
$I_{I/OVL}$	DC output current	±25	mA
$I_{I/OVCC}$	DC output current	±25	mA
I_{SCTOUT}	Short-circuit duration, continuous	40	mA
P_D	Power dissipation	500	mW
T_{STG}	Storage temperature	-65 to 150	°C
T_L	Lead temperature (10 seconds)	300	°C
ESD	Electrostatic discharge protection (HBM)	±2	kV

Recommended operating conditions

Table 5. Recommended operating conditions

Symbol	Parameter	Min.	Typ.	Max.	Unit
V_L	Supply voltage	1.65	–	3.6	V
V_{CC}	Supply voltage	V_L	–	5.5	V
V_{OE}	Input voltage (OE output enable pin, V_L power supply referred)	0	–	3.6	V
$V_{I/OVL}$	I/O _{VL} voltage	0	–	V_L	V
$V_{I/OVCC}$	I/O _{VCC} voltage	0	–	V_{CC}	V
T_{OP}	Operating temperature	-40	–	85	°C
dt/dV	Input rise and fall time	0	–	1	ns/V

6 Electrical characteristics

Over recommended operating conditions unless otherwise noted. All typical values are at $T_A = 25\text{ }^\circ\text{C}$.

Table 6. DC characteristics

Symbol	Parameter	V_L	V_{CC}	Test conditions	Value					Unit
					$T_A = 25\text{ }^\circ\text{C}$			-40 to 85 $^\circ\text{C}$		
					Min.	Typ.	Max.	Min.	Max.	
V_{IHL}	High-level input voltage (I/O _{VL})	1.65 to 3.6	V_L to 5.5		0.8 V_L	–	–	0.8 V_L	–	V
V_{ILL}	Low-level input voltage (I/O _{VL})	1.65 to 3.6	V_L to 5.5		–	–	0.2 V_L	–	0.2 V_L	V
V_{IHC}	High-level input voltage (I/O _{VCC})	1.65 to 3.6	V_L to 5.5		0.8 V_{CC}	–	–	0.8 V_{CC}	–	V
V_{ILC}	Low-level input voltage (I/O _{VCC})	1.65 to 3.6	V_L to 5.5		–	–	0.2 V_{CC}	–	0.2 V_{CC}	V
V_{IH-OE}	High-level input voltage (OE)	1.65 to 3.6	V_L to 5.5		0.8 V_L	–	–	0.8 V_L	–	V
V_{IL-OE}	Low-level input voltage (OE)	1.65 to 3.6	V_L to 5.5		–	–	0.2 V_L	–	0.2 V_L	V
V_{OHL}	High-level output voltage (I/O _{VL})	1.65 to 3.6	V_L to 5.5	$I_O = -60\text{ }\mu\text{A}$	$V_L - 0.4$	–	–	$V_L - 0.4$	–	V
V_{OLL}	Low-level output voltage (I/O _{VL})	1.65 to 3.6	V_L to 5.5	$I_O = +60\text{ }\mu\text{A}$	–	–	0.4	–	0.4	V
V_{OHC}	High-level output voltage (I/O _{VCC})	1.65 to 3.6	V_L to 5.5	$I_O = -60\text{ }\mu\text{A}$	$V_{CC} - 0.4$	–	–	$V_{CC} - 0.4$	–	V
V_{OLC}	Low-level output voltage (I/O _{VCC})	1.65 to 3.6	V_L to 5.5	$I_O = +60\text{ }\mu\text{A}$	–	–	0.4	–	0.4	V
I_{OE}	Control input leakage current (OE)	1.65 to 3.6	V_L to 5.5	$V_I = \text{GND or } V_L$	–	–	0.1	–	1	μA

Table 6. DC characteristics (continued)

Symbol	Parameter	V _L	V _{CC}	Test conditions	Value					Unit
					T _A = 25 °C			-40 to 85 °C		
					Min.	Typ.	Max.	Min.	Max.	
I _{IO_LKG}	High impedance leakage current (I/O _{VL} , I/O _{VCC})	1.65 to 3.6	V _L to 5.5	OE = GND I/O _{VL} = high I/O _{VCC} = low	–	–	0.1	–	1	μA
				OE = GND I/O _{VL} = low I/O _{VCC} = high	–	–	0.1	–	1	μA
I _{QVCC}	Quiescent supply current V _{CC}	1.65 to 3.6	V _L to 5.5	OE = V _L	–	–	7	–	9	μA
I _{QVL}	Quiescent supply current V _L	1.65 to 3.6	V _L to 5.5	OE = V _L	–	–	0.1	–	1	μA
I _{Z-VCC}	High impedance quiescent supply current V _{CC}	1.65 to 3.6	V _L to 5.5	OE = GND I/O = Hi-Z	–	–	0.1	–	1	μA
I _{Z-VL}	High impedance quiescent supply current V _L	1.65 to 3.6	V _L to 5.5	OE = GND I/O = Hi-Z	–	–	0.1	–	1	μA

AC characteristics

Load $C_L = 15$ pF; driver $t_r = t_f \leq 6$ ns over temperature range -40 °C to 85 °C.

Table 7. AC characteristics - test conditions: $V_L = 1.65 - 1.95$ V

Symbol	Parameter	$V_{CC} = V_L - 1.95$ V		$V_{CC} = 2.3 - 2.7$ V		$V_{CC} = 3.0 - 3.6$ V		$V_{CC} = 4.5 - 5.5$ V		Unit	
		Min.	Max.	Min.	Max.	Min.	Max.	Min.	Max.		
t_{RVCC}	Rise time I/O_{VCC}	-	5.2	-	3.2	-	2.4	-	1.8	ns	
t_{FVCC}	Fall time I/O_{VCC}	-	3.2	-	1.5	-	1.3	-	1.2	ns	
t_{RVL}	Rise time I/O_{VL}	-	3.3	-	3.3	-	3.3	-	3.3	ns	
t_{FVL}	Fall time I/O_{VL}	-	1.5	-	1.4	-	1.4	-	1.3	ns	
$t_{I/O_{VL-VCC}}$	Propagation delay time										
	I/O_{VL-LH} to I/O_{VCC-LH}	t_{PLH}	-	7.6	-	5.8	-	5.0	-	4.4	ns
	I/O_{VL-HL} to I/O_{VCC-HL}	t_{PHL}	-	4.6	-	3.9	-	3.9	-	3.5	ns
$t_{I/O_{VCC-VL}}$	Propagation delay time										
	I/O_{VCC-LH} to I/O_{VL-LH}	t_{PLH}	-	7.1	-	6.6	-	4.8	-	4.6	ns
	I/O_{VCC-HL} to I/O_{VL-HL}	t_{PHL}	-	5.3	-	5.1	-	4.3	-	4.1	ns
t_{PZL}	Output enable time t_{PZL}	-	28	-	28	-	28	-	28	ns	
t_{PZH}	Output enable time t_{PZH}	-	90	-	90	-	90	-	90	ns	
t_{PLZ}	Output disable time t_{PLZ}		120	-	120	-	120	-	120	ns	
t_{PHZ}	Output disable time t_{PHZ}		80	-	60	-	50	-	50	ns	
D_R	Data rate ⁽¹⁾	56	-	90	-	90	-	90	-	Mbps	

1. Data rate is guaranteed based on the condition that output I/O signal rise/fall time is less than 15% of period of input I/O signal; input I/O signal is at 50% duty cycle and output I/O signal duty cycle deviation is less than $50\% \pm 10\%$.

Table 8. AC characteristics - test conditions: $V_L = 2.3 - 2.7 V$

Symbol	Parameter		$V_{CC} = V_L - 2.7 V$		$V_{CC} = 3.0 - 3.6 V$		$V_{CC} = 4.5 - 5.5 V$		Unit
			Min.	Max.	Min.	Max.	Min.	Max.	
t_{RVCC}	Rise time I/O_{VCC}		-	3.3	-	2.2	-	1.7	ns
t_{FVCC}	Fall time I/O_{VCC}		-	1.7	-	1.6	-	1.4	ns
t_{RVL}	Rise time I/O_{VL}		-	2.2	-	2.2	-	1.9	ns
t_{FVL}	Fall time I/O_{VL}		-	1.3	-	1.2	-	1.2	ns
$t_{I/OVL-VCC}$	Propagation delay time								
	I/O_{VL-LH} to I/O_{VCC-LH}	t_{PLH}	-	4.8	-	4.3	-	3.9	ns
	I/O_{VL-HL} to I/O_{VCC-HL}	t_{PHL}	-	3.7	-	3.3	-	2.9	ns
$t_{I/OVCC-VL}$	Propagation delay time								
	I/O_{VCC-LH} to I/O_{VL-LH}	t_{PLH}	-	3.9	-	3.5	-	3.5	ns
	I/O_{VCC-HL} to I/O_{VL-HL}	t_{PHL}	-	3.6	-	3.5	-	3.4	ns
t_{PZL}	Output enable time t_{PZL}		-	25	-	25	-	25	ns
t_{PZH}	Output enable time t_{PZH}		-	100	-	100	-	70	ns
t_{PLZ}	Output disable time t_{PLZ}		-	90	-	90	-	90	ns
t_{PHZ}	Output disable time t_{PHZ}		-	50	-	50	-	50	ns
D_R	Data rate ⁽¹⁾		90	-	136	-	158	-	Mbps

1. Data rate is guaranteed based on the condition that output I/O signal rise/fall time is less than 15% of period of input I/O signal; input I/O signal is at 50% duty cycle and output I/O signal duty cycle deviation is less than $50\% \pm 10\%$.

Table 9. AC characteristics - test conditions: $V_L = 3.0 - 3.6 V$

Symbol	Parameter		$V_{CC} = V_L - 3.6 V$		$V_{CC} = 4.5 - 5.5 V$		Unit	
			Min.	Max.	Min.	Max.		
t_{RVCC}	Rise time I/O_{VCC}		-	2.1	-	1.7	ns	
t_{FVCC}	Fall time I/O_{VCC}		-	1.3	-	1.3	ns	
t_{RVL}	Rise time I/O_{VL}		-	1.6	-	1.5	ns	
t_{FVL}	Fall time I/O_{VL}		-	1.1	-	1.1	ns	
$t_{I/OVL-VCC}$	Propagation delay time							
	I/O_{VL-LH} to I/O_{VCC-LH}		t_{PLH}	-	4.1	-	4.1	ns
	I/O_{VL-HL} to I/O_{VCC-HL}		t_{PHL}	-	2.9	-	2.6	ns
$t_{I/OVCC-VL}$	Propagation delay time							
	I/O_{VCC-LH} to I/O_{VL-LH}		t_{PLH}	-	4.0	-	4.0	ns
	I/O_{VCC-HL} to I/O_{VL-HL}		t_{PHL}	-	2.6	-	2.5	ns
t_{PZL}	Output enable time t_{PZL}		-	15	-	15	ns	
t_{PZH}	Output enable time t_{PZH}		-	70	-	15	ns	
t_{PLZ}	Output disable time t_{PLZ}		-	70	-	70	ns	
t_{PHZ}	Output disable time t_{PHZ}		-	50	-	50	ns	
D_R	Data rate ⁽¹⁾		144	-	186	-	Mbps	

1. Data rate is guaranteed based on the condition that output I/O signal rise/fall time is less than 15% of period of input I/O signal; input I/O signal is at 50% duty cycle and output I/O signal duty cycle deviation is less than $50\% \pm 10\%$.

7 Test circuit

Figure 5. Test circuit

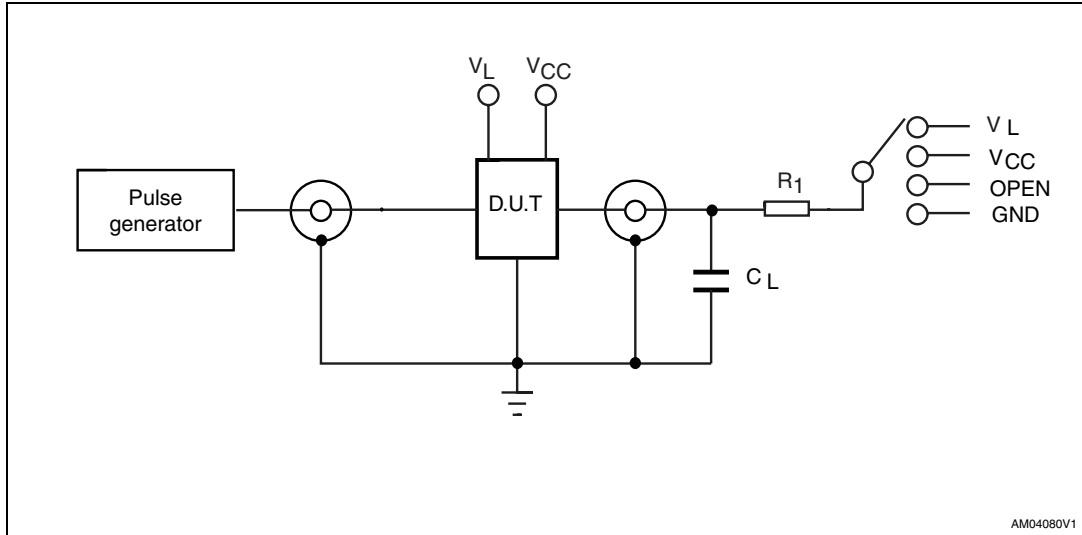


Table 10. Test circuit switches

Test	C _L	R ₁	Switch
t _{PLH} , t _{PHL}	15 pF	20 kΩ	Open
t _r , t _f	15 pF	20 kΩ	Open
t _{PZL} , t _{PLZ}	15 pF	20 kΩ	V _L or V _{CC}
t _{PZH} , t _{PHZ}	15 pF	20 kΩ	GND

Table 11. Waveform symbol value

Symbol	Driving I/O _{V_L}		Driving I/O _{V_{CC}}	
	1.65 V ≤ V _L ≤ V _{CC} ≤ 2.5 V	3.3 V ≤ V _L ≤ V _{CC} ≤ 5.5 V	1.65 V ≤ V _L ≤ V _{CC} ≤ 2.5 V	3.3 V ≤ V _L ≤ V _{CC} ≤ 5.5 V
V _{IH}	V _L	V _L	V _{CC}	V _{CC}
V _{IM}	50% V _L	50% V _L	50% V _{CC}	50% V _{CC}
V _{OM}	50% V _{CC}	50% V _{CC}	50% V _L	50% V _L

Figure 6. Waveform - propagation delay (f = 1 MHz, 50% duty cycle)

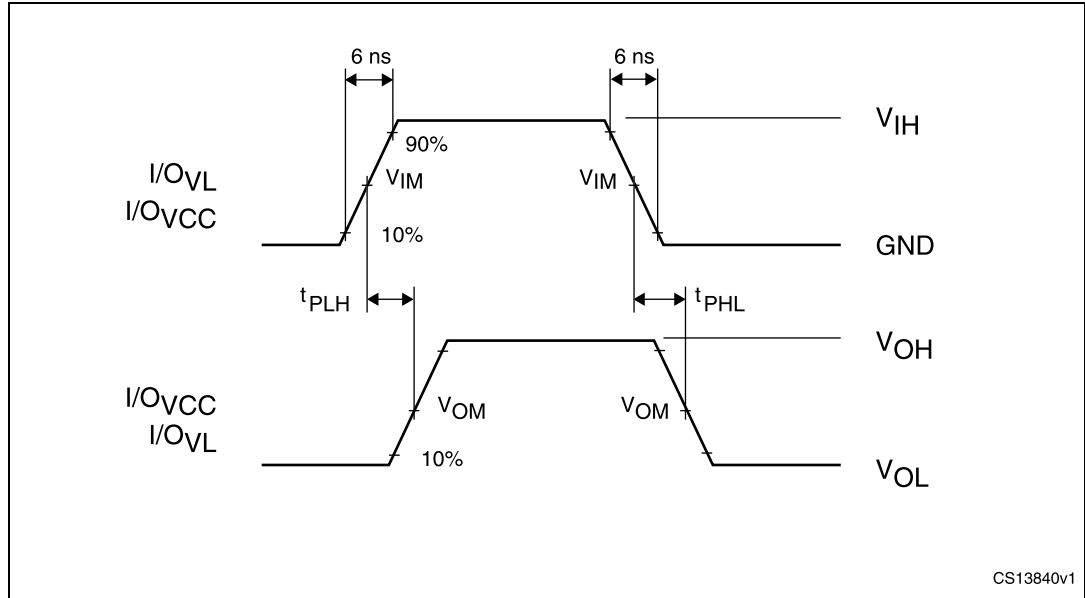
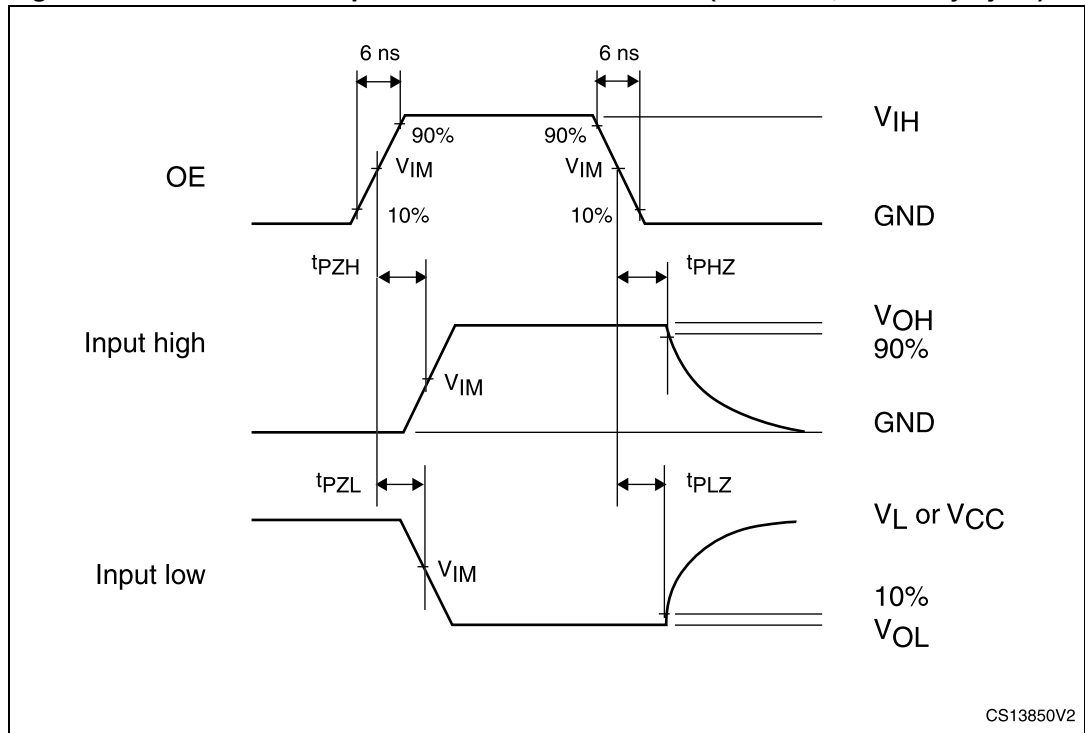


Figure 7. Waveform - output enable and disable time (f = 1 MHz, 50% duty cycle)



8 Package mechanical data

In order to meet environmental requirements, ST offers these devices in different grades of ECOPACK® packages, depending on their level of environmental compliance. ECOPACK specifications, grade definitions and product status are available at: www.st.com. ECOPACK is an ST trademark.

Figure 8. Package outline for QFN12 (1.7 x 2.0 mm) - 0.40 mm pitch

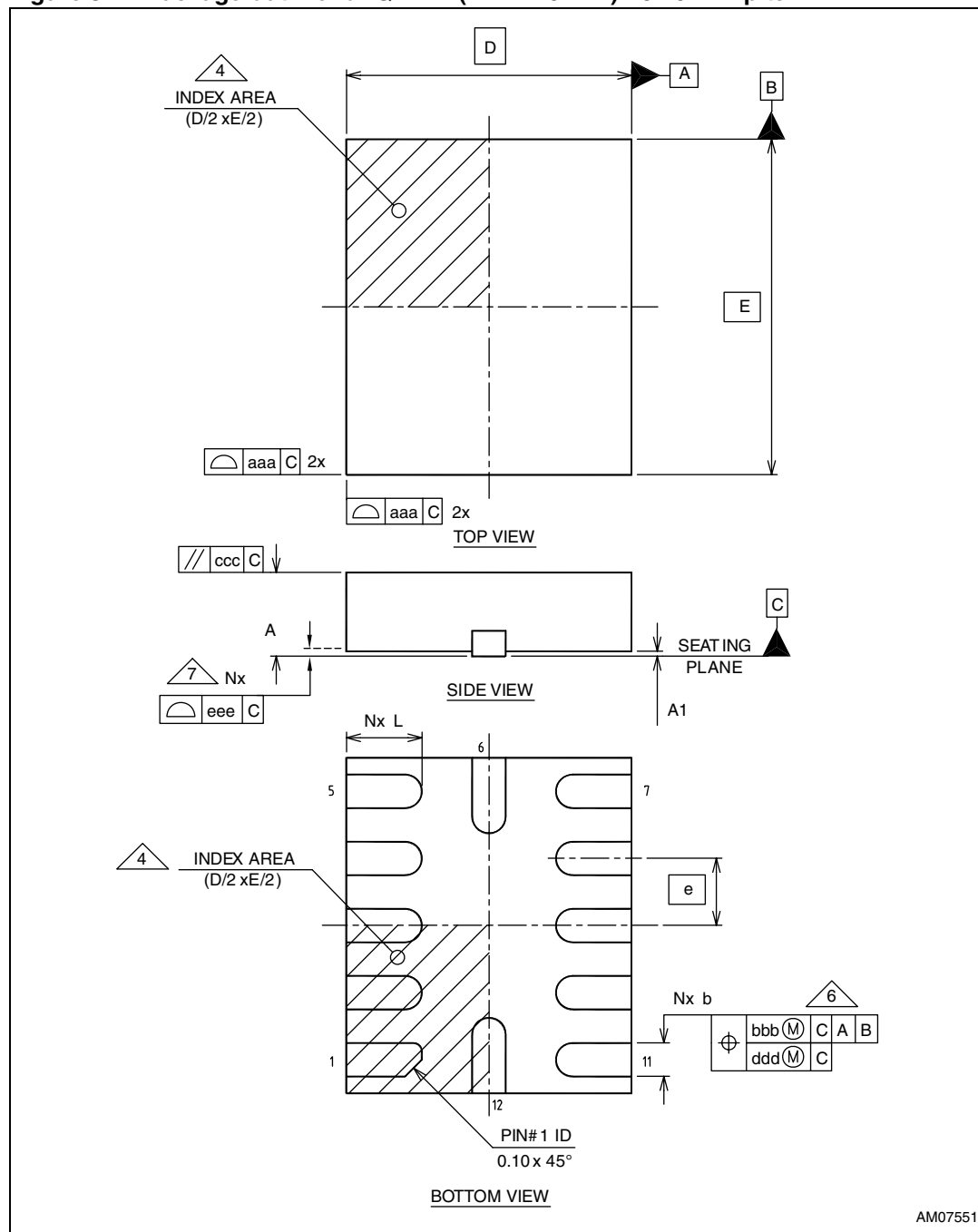
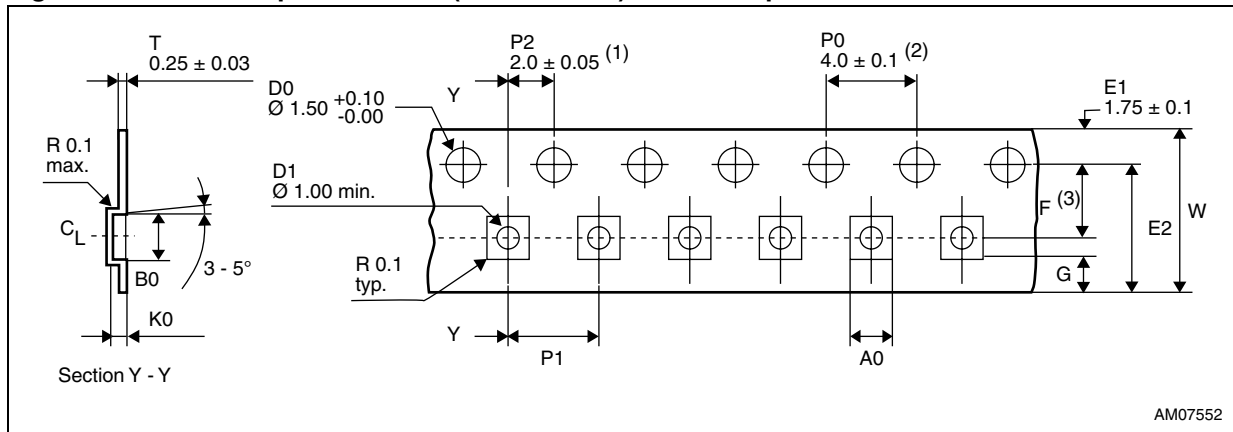


Table 12. Mechanical data for QFN12 (1.7 x 2.0 mm) - 0.40 mm pitch

Symbol	Dimensions		
	mm.		
	Min.	Nom.	Max.
A	0.45	0.50	0.55
A1	0.00	0.02	0.05
b	0.15	0.20	0.25
D	1.70 BSC		
E	2.00 BSC		
e	0.40 BSC		
L	0.35	0.45	0.55
aaa	0.05		
bbb	0.07		
ccc	0.10		
ddd	0.05		
eee	0.08		
N	12		
ND	1		
NE	5		
Notes	(1), (2)		
LF part No.	-		
LF DWG. No.	B-2888		

1. Dimensioning and tolerance conform to ASME Y14.5M-1994.
2. All dimensions are in millimeters.
3. N is the total number of terminals.
4. The location of the terminal #1 identifier and terminal numbering convention conforms to JEDEC publication 95 SPP-002.
5. ND and NE refer to the number of terminals on the D and E side respectively.
6. Dimension b applies to the metallized terminal. If the terminal has the optional radius on the other end of the terminal, dimension b should not be measured in that radius area.
7. Coplanarity applies to the terminals and all other bottom surface metallization.
8. NJ in the variation code refers to a package which is not currently JEDEC registered.

Figure 9. Carrier tape for QFN12 (1.7 x 2.0 mm) - 0.40 mm pitch



1. Measured from centerline of sprocket hole to centerline of pocket.
2. Cumulative tolerance of sprocket holes is ± 0.20 .
3. Measured from centerline of sprocket hole to centerline of pocket.
4. Other material available.
5. All dimensions are in millimeters unless otherwise stated.

Table 13. Carrier tape dimensions

Symbol	Dimensions
A0	1.80 ± 0.05
B0	2.25 ± 0.05
K0	0.60 ± 0.05
F	3.50 ± 0.05
P1	4.00 ± 0.1
D1	1.00 min.
T	0.25 ± 0.03
G	0.75 min.
E2	6.25 min.
W	8.00 + 0.3 / -0.1

Figure 10. Reel information for QFN12 (1.7 x 2.0 mm) - 0.40 mm pitch

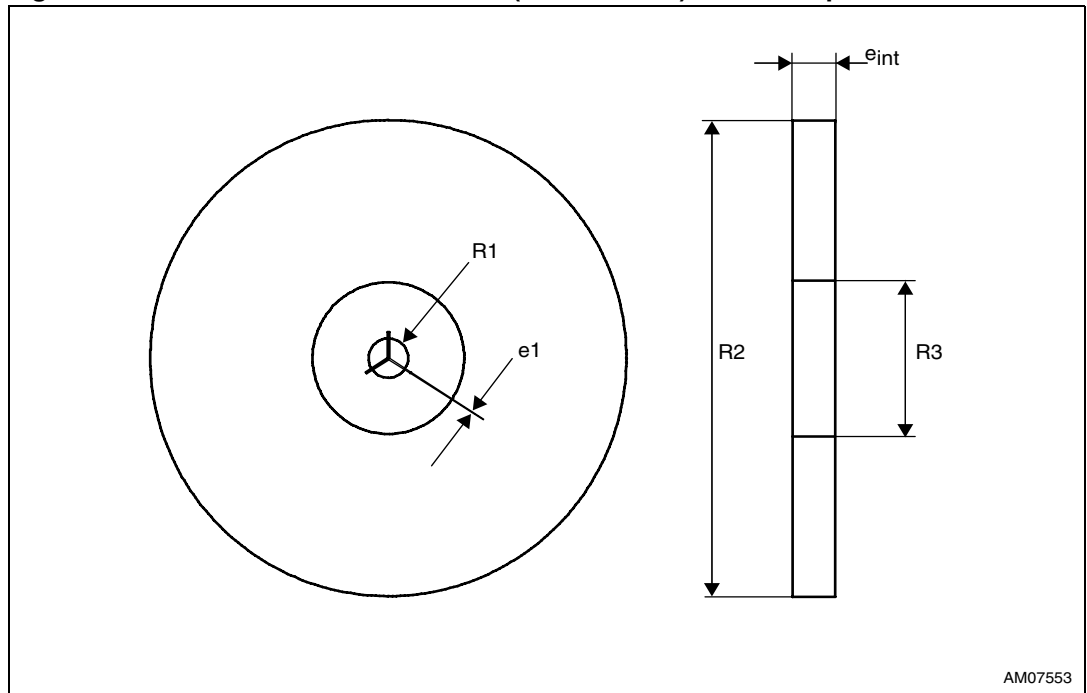


Table 14. Reel dimensions

mm	R1	R2	R3
Reel 7"	13	180	60

9 Revision history

Table 15. Document revision history

Date	Revision	Changes
19-Jun-2012	1	Initial release.

Please Read Carefully:

Information in this document is provided solely in connection with ST products. STMicroelectronics NV and its subsidiaries ("ST") reserve the right to make changes, corrections, modifications or improvements, to this document, and the products and services described herein at any time, without notice.

All ST products are sold pursuant to ST's terms and conditions of sale.

Purchasers are solely responsible for the choice, selection and use of the ST products and services described herein, and ST assumes no liability whatsoever relating to the choice, selection or use of the ST products and services described herein.

No license, express or implied, by estoppel or otherwise, to any intellectual property rights is granted under this document. If any part of this document refers to any third party products or services it shall not be deemed a license grant by ST for the use of such third party products or services, or any intellectual property contained therein or considered as a warranty covering the use in any manner whatsoever of such third party products or services or any intellectual property contained therein.

UNLESS OTHERWISE SET FORTH IN ST'S TERMS AND CONDITIONS OF SALE ST DISCLAIMS ANY EXPRESS OR IMPLIED WARRANTY WITH RESPECT TO THE USE AND/OR SALE OF ST PRODUCTS INCLUDING WITHOUT LIMITATION IMPLIED WARRANTIES OF MERCHANTABILITY, FITNESS FOR A PARTICULAR PURPOSE (AND THEIR EQUIVALENTS UNDER THE LAWS OF ANY JURISDICTION), OR INFRINGEMENT OF ANY PATENT, COPYRIGHT OR OTHER INTELLECTUAL PROPERTY RIGHT.

UNLESS EXPRESSLY APPROVED IN WRITING BY TWO AUTHORIZED ST REPRESENTATIVES, ST PRODUCTS ARE NOT RECOMMENDED, AUTHORIZED OR WARRANTED FOR USE IN MILITARY, AIR CRAFT, SPACE, LIFE SAVING, OR LIFE SUSTAINING APPLICATIONS, NOR IN PRODUCTS OR SYSTEMS WHERE FAILURE OR MALFUNCTION MAY RESULT IN PERSONAL INJURY, DEATH, OR SEVERE PROPERTY OR ENVIRONMENTAL DAMAGE. ST PRODUCTS WHICH ARE NOT SPECIFIED AS "AUTOMOTIVE GRADE" MAY ONLY BE USED IN AUTOMOTIVE APPLICATIONS AT USER'S OWN RISK.

Resale of ST products with provisions different from the statements and/or technical features set forth in this document shall immediately void any warranty granted by ST for the ST product or service described herein and shall not create or extend in any manner whatsoever, any liability of ST.

ST and the ST logo are trademarks or registered trademarks of ST in various countries.

Information in this document supersedes and replaces all information previously supplied.

The ST logo is a registered trademark of STMicroelectronics. All other names are the property of their respective owners.

© 2012 STMicroelectronics - All rights reserved

STMicroelectronics group of companies

Australia - Belgium - Brazil - Canada - China - Czech Republic - Finland - France - Germany - Hong Kong - India - Israel - Italy - Japan - Malaysia - Malta - Morocco - Philippines - Singapore - Spain - Sweden - Switzerland - United Kingdom - United States of America

www.st.com

