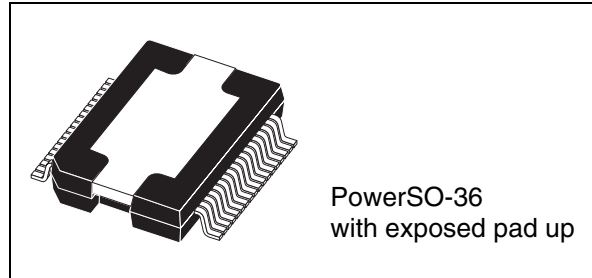


## 2.1-channel high-efficiency digital audio system

### Features

- Wide supply voltage range (10 V - 36 V)
- Three power output configurations
  - 2 x 40 W + 1 x 80 W
  - 2 x 80 W
  - 1 x 160 W
- PowerSO-36 package (exposed pad up (EPU))
- 2.1 channels of 24-bit DDX<sup>®</sup>
- 100-dB SNR and dynamic range
- 32 kHz to 192 kHz input sample rates
- Digital gain/attenuation +48 dB to -80 dB in 0.5-dB steps
- Four 28-bit user programmable biquads (EQ) per channel
- I<sup>2</sup>C control
- 2-channel I<sup>2</sup>S input data interface
- Individual channel and master gain/attenuation
- Individual channel and master soft/hard mute
- Individual channel volume and EQ bypass
- Bass/treble tone control
- Dual independent programmable limiters/compressors
- Automodes
  - 32 preset EQ curves
  - 15 preset crossover settings
  - Auto volume controlled loudness
  - 3 preset volume curves
  - 2 preset anti-clipping modes
  - Preset night-time listening mode
  - Preset TV AGC



- Input and output channel mapping
- AM noise-reduction and PWM frequency-shifting modes
- Software volume update and muting
- Auto zero detect and invalid input detect muting
- Selectable DDX<sup>®</sup> ternary or binary PWM output + variable PWM speeds
- Selectable de-emphasis
- Post-EQ user programmable mix with default 2.1 bass-management settings
- Variable max power correction for lower full-power THD
- Four output routing configurations
- Selectable clock input ratio
- 96 kHz internal processing sample rate, 24 to 28-bit precision
- Video application supports 576 \* fs input mode

**Table 1. Device summary**

Order code	Package	Packaging
STA326	PowerSO-36 EPU	Tube
STA32613TR	PowerSO-36 EPU	Tape and reel

# Contents

- 1 Description . . . . . 5**
  - 1.1 EQ processing . . . . . 6
  - 1.2 Output configurations . . . . . 6
- 2 Pin out . . . . . 7**
  - 2.1 Package pins . . . . . 7
  - 2.2 Pin list . . . . . 7
  - 2.3 Pin description . . . . . 9
- 3 Electrical specifications . . . . . 10**
  - 3.1 General interface specifications . . . . . 10
  - 3.2 DC electrical specifications (3.3 V buffers) . . . . . 11
  - 3.3 Power electrical specifications . . . . . 11
- 4 Power supply and control sequencing . . . . . 13**
- 5 Characterization curves . . . . . 14**
- 6 I<sup>2</sup>C bus specification . . . . . 16**
  - 6.1 Communication protocol . . . . . 16
  - 6.2 Device addressing . . . . . 16
  - 6.3 Write operation . . . . . 17
  - 6.4 Read operation . . . . . 17
- 7 Register description . . . . . 19**
  - 7.1 Configuration register A (addr 0x00) . . . . . 20
  - 7.2 Configuration register B (addr 0x01) . . . . . 23
  - 7.3 Configuration register C (addr 0x02) . . . . . 26
    - 7.3.1 DDX<sup>®</sup> power output mode . . . . . 26
    - 7.3.2 DDX<sup>®</sup> variable compensating pulse size . . . . . 26
  - 7.4 Configuration register D (addr 0x03) . . . . . 27
  - 7.5 Configuration register E (addr 0x04) . . . . . 29
  - 7.6 Configuration register F (addr 0x05) . . . . . 31



7.7	Volume control	33
7.7.1	Master controls	33
7.7.2	Channel controls	33
7.7.3	Volume description	33
7.8	Automode registers	35
7.8.1	Automodes EQ, volume, GC (addr 0x0B)	35
7.8.2	Automode AM/prescale/bass management scale (addr 0x0C)	36
7.8.3	Preset EQ settings (addr 0x0D)	37
7.9	Channel configuration registers	38
7.9.1	Channel 1 configuration (addr 0x0E)	38
7.9.2	Channel 2 configuration (addr 0x0F)	38
7.9.3	Channel 3 configuration (addr 0x10)	38
7.10	Tone control (addr 0x11)	40
7.11	Dynamics control	41
7.11.1	Limiter 1 attack/release threshold (addr 0x12)	41
7.11.2	Limiter 1 attack/release threshold (addr 0x13)	41
7.11.3	Limiter 2 attack/release rate (addr 0x14)	41
7.11.4	Limiter 2 attack/release threshold (addr 0x15)	41
7.11.5	Dynamics control description	41
7.11.6	Anti-clipping mode	43
7.11.7	Dynamic range compression mode	44
<b>8</b>	<b>User programmable processing</b>	<b>45</b>
8.1	EQ - biquad equation	45
8.2	Prescale	45
8.3	Postscale	45
8.4	Mix/bass management	46
8.5	Calculating 24-bit signed fractional numbers from a dB value	47
8.6	User defined coefficient RAM	47
8.6.1	Coefficient address register 1 (addr 0x16)	47
8.6.2	Coefficient b1data register bits 23:16 (addr 0x17)	47
8.6.3	Coefficient b1data register bits 15:8 (addr 0x18)	47
8.6.4	Coefficient b1data register bits 7:0 (addr 0x19)	47
8.6.5	Coefficient b2 data register bits 23:16 (addr 0x1A)	47
8.6.6	Coefficient b2 data register bits 15:8 (addr 0x1B)	48
8.6.7	Coefficient b2 data register bits 7:0 (addr 0x1C)	48

8.6.8 Coefficient a1 data register bits 23:16 (addr 0x1D) . . . . . 48

8.6.9 Coefficient a1 data register bits 15:8 (addr 0x1E) . . . . . 48

8.6.10 Coefficient a1 data register bits 7:0 (addr 0x1F) . . . . . 48

8.6.11 Coefficient a2 data register bits 23:16 (addr 0x20) . . . . . 48

8.6.12 Coefficient a2 data register bits 15:8 (addr 0x21) . . . . . 48

8.6.13 Coefficient a2 data register bits 7:0 (addr 0x22) . . . . . 48

8.6.14 Coefficient b0 data register bits 23:16 (addr 0x23) . . . . . 49

8.6.15 Coefficient b0 data register bits 15:8 (addr 0x24) . . . . . 49

8.6.16 Coefficient b0 data register bits 7:0 (addr 0x25) . . . . . 49

8.6.17 Coefficient write control register (addr 0x26) . . . . . 49

8.7 Reading a coefficient from RAM . . . . . 50

8.8 Reading a set of coefficients from RAM . . . . . 50

8.9 Writing a single coefficient to RAM . . . . . 50

8.10 Writing a set of coefficients to RAM . . . . . 51

8.11 Variable max power correction (addr 0x27, 0x28) . . . . . 53

8.12 Fault detect recovery (addr 0x2B, 0x2C) . . . . . 53

**9 Applications . . . . . 54**

**10 Package mechanical data . . . . . 55**

**11 Revision history . . . . . 57**



# 1 Description

The STA326 comprises digital audio processing, digital amplifier control and DDX<sup>®</sup> power output stage to create a high-power single-chip DDX<sup>®</sup> solution for high-quality, high-efficiency, all digital amplification.

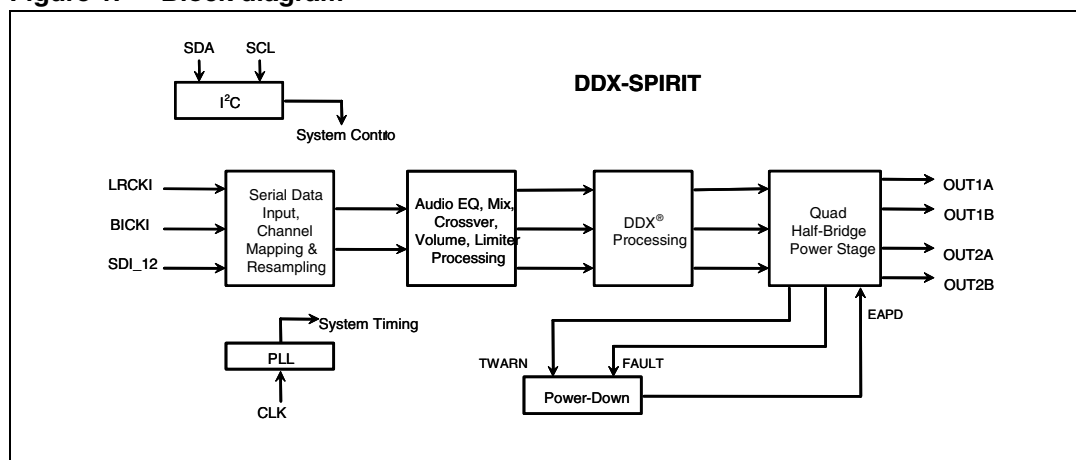
The STA326 power section consists of four independent half-bridges. These can be configured via digital control to operate in different modes. 2.1 channels can be provided by two half-bridges and a single full-bridge to give up to 2 x 40 W plus 1 x 80 W of power output. Two channels can be provided by two full-bridges to give up to 2 x 80 W of power. The IC can also be configured as a single parallel full-bridge capable of high-current operation and 1 x 160 W output.

Also provided in the STA326 is a full assortment of digital processing features. This includes up to four programmable 28-bit biquads (EQ) per channel and bass/treble tone control. Automodes enable a time-to-market advantage by substantially reducing the amount of software development needed for certain functions. This includes auto volume loudness, preset volume curves, preset EQ settings. New advanced AM radio-interference reduction modes.

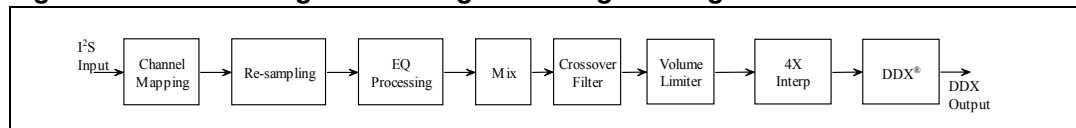
The serial audio data input interface accepts all possible formats, including the popular I<sup>2</sup>S format.

Three channels of DDX<sup>®</sup> processing are provided. This high-quality conversion from PCM audio to patented DDX<sup>®</sup> 3-state PWM switching provides over 100 dB of SNR and dynamic range.

**Figure 1. Block diagram**



**Figure 2. Channel signal flow diagram through the digital core**



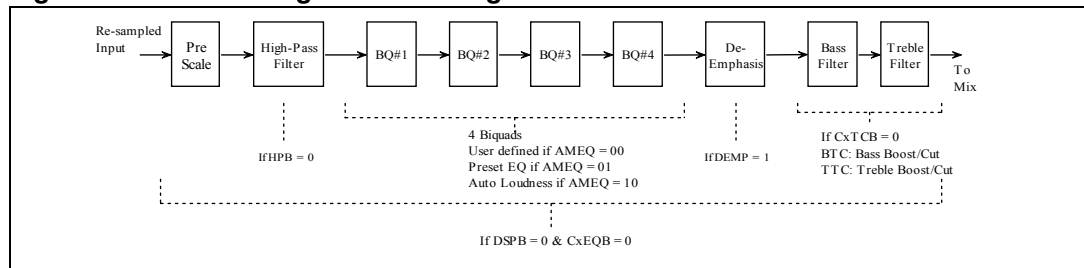
## 1.1 EQ processing

Two channels of input data (re-sampled if necessary) at 96 kHz are provided to the EQ processing block. In this block, up to four user-defined biquads can be applied to each of the two channels.

Prescaling, DC-blocking, high-pass, de-emphasis, bass, and tone control filters can also be applied based on various configuration parameter settings.

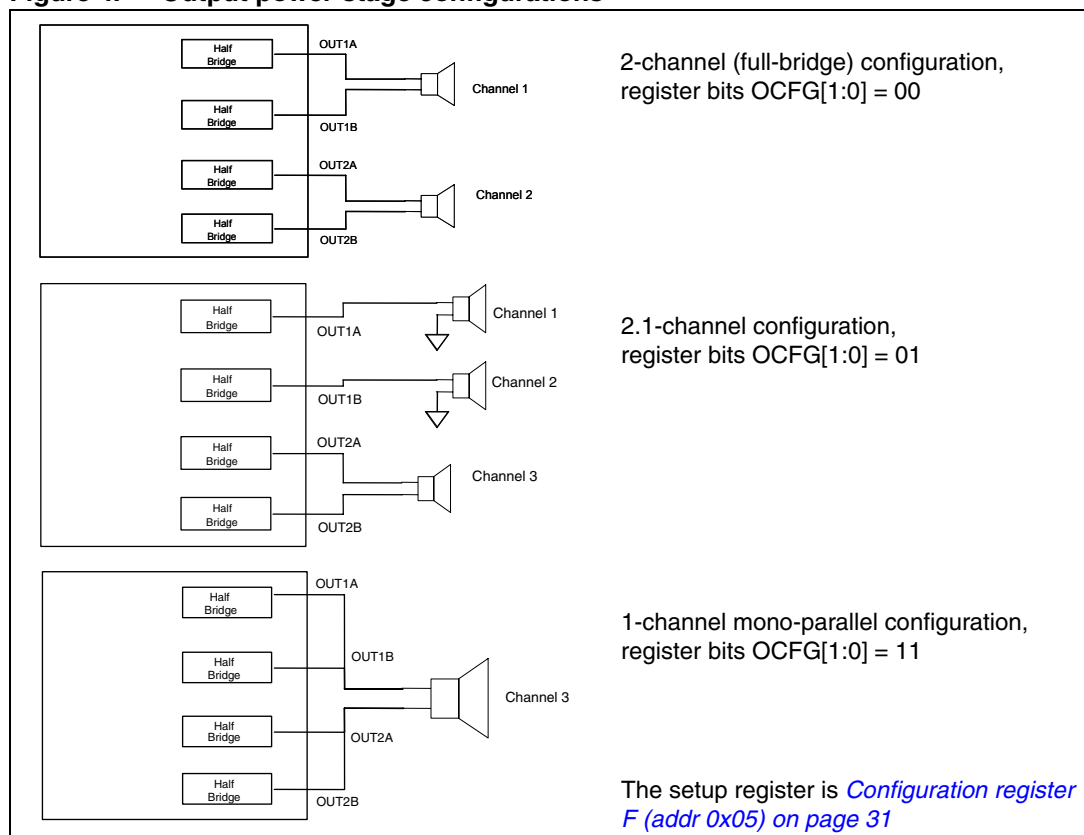
The entire EQ block can be bypassed for all channels simultaneously by setting the DSPB bit to 1. And the CxEQBP bits can be used to bypass the EQ function on a per channel basis. *Figure 3* shows the internal signal flow through the EQ block.

**Figure 3. Channel signal flow through the EQ block**



## 1.2 Output configurations

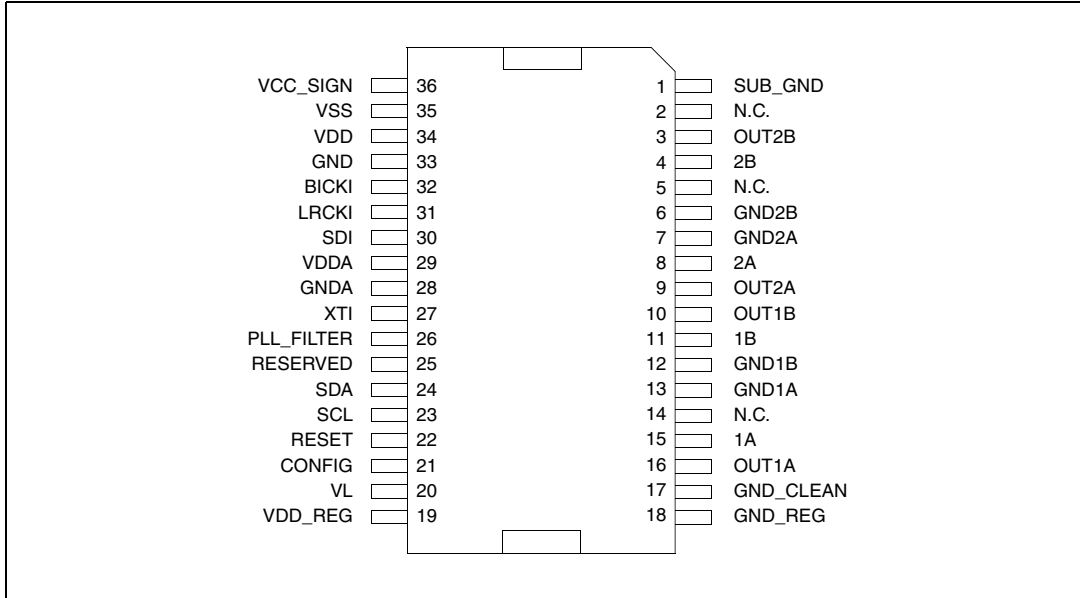
**Figure 4. Output power-stage configurations**



## 2 Pin out

### 2.1 Package pins

Figure 5. Pin connections



### 2.2 Pin list

Table 2. Pin list

Number	Type	Name	Description
1	I/O	SUB_GND	Ground
2	N.C.	N.C.	Not connected
3	O	OUT2B	Output half bridge 2B
4	I/O	2B	Positive supply
5	N.C.	N.C.	Not connected
6	I/O	GND2B	Negative supply
7	I/O	GND2A	Negative supply
8	I/O	2A	Positive supply
9	O	OUT2A	Output half bridge 2A
10	O	OUT1B	Output half bridge 1B
11	I/O	1B	Positive supply
12	I/O	GND1B	Negative supply
13	I/O	GND1A	Negative supply
14	N.C.	N.C.	Not connected

Table 2. Pin list

Number	Type	Name	Description
15	I/O	1A	Positive supply
16	O	OUT1A	Output half bridge 1A
17	I/O	GND_CLEAN	Logical ground
18	I/O	GND_REG	Substrate ground
19	I/O	VDD_REG	Logic supply
20	I/O	VL	Logic supply
21	I	CONFIG	Logic levels
22	I	RESET	Reset
23	I	SCL	I <sup>2</sup> C serial clock
24	I/O	SDA	I <sup>2</sup> C serial data
25	-	RESERVED	This pin must be connected to GND
26	I	PLL_FILTER	Connection to PLL filter
27	I	XTI	PLL input clock
28	I/O	GNDA	Analog ground
29	I/O	VDDA	Analog supply, nominally 3.3 V
30	I	SDI	I <sup>2</sup> S serial data channels 1 & 2
31	I/O	LRCKI	I <sup>2</sup> S left/right clock,
32	I	BICKI	I <sup>2</sup> S serial clock
33	I/O	GND	Digital ground
34	I/O	VDD	Digital supply, nominally 3.3 V
35	I/O	VSS	5 V regulator referred to +
36	I/O	_SIGN	5 V regulator referred to ground



## 2.3 Pin description

### OUT1A, 1B, 2A and 2B (pins 16, 10, 9 and 3)

Output half bridge PWM outputs 1A, 1B, 2A and 2B provide the input signals to the speakers.

### CONFIG (pin 21)

The configuration input pin is normally connected to ground. Using the mono high power BTL configuration requires the CONFIG input pin to be shorted to VREG1

### RESET (pin 22)

Driving RESET low sets all outputs low and returns all register settings to their default (reset) values. The reset is asynchronous to the internal clock.

### I<sup>2</sup>C signals (pins 23 and 24)

The SDA (I<sup>2</sup>C Data) and SCL (I<sup>2</sup>C Clock) pins operate according to the I<sup>2</sup>C specification ([Chapter 6 on page 16](#) gives more information). Fast-mode (400 kB/s) I<sup>2</sup>C communication is supported.

### GNDA and VDDA (pins 28 and 29)

This is the 3.3 V analog supply for the phase locked loop. It must be well decoupled and filtered for good noise immunity since the audio performance of the device depends upon the PLL circuit.

### CLK (pin 27)

This is the master clock in used by the digital core. The master clock must be an integer multiple of the LR clock frequency. Typically, the master clock frequency is 12.288 MHz (256 \* fs) for a 48 kHz sample rate; it is the default setting at power-up. Care must be taken to provide the device with the nominal system clock frequency; over-clocking the device may result in anomalous operation, such as inability to communicate.

### FILTER\_PLL (pin 26)

This is the connection for external filter components for the PLL loop compensation. The schematic diagram in [Figure 20 on page 54](#) shows the recommended circuit.

### BICKI (pin 32)

The serial or bit clock input is for framing each data bit. The bit clock frequency is typically 64 \* fs using I<sup>2</sup>S serial format.

### SDI\_12 (pin 30)

This is the serial data input where PCM audio information enters the device. Six format choices are available including I<sup>2</sup>S, left or right justified, LSB or MSB first, with word widths of 16, 18, 20 and 24 bits.

### LRCKI (pin 31)

The left/right clock input is for data word framing. The clock frequency is at the input sample rate, fs.

### 3 Electrical specifications

**Table 3. Absolute maximum ratings**

Symbol	Parameter	Value	Unit
$V_{DD33}$	3.3 V I/O power supply (pins VDDA, VDD)	-0.5 to 4	V
$V_i$	Voltage on input pins	-0.5 to ( $V_{DD33} + 0.5$ )	V
$V_o$	Voltage on output pins	-0.5 to ( $V_{DD33} + 0.5$ )	V
$T_{stg}$	Storage temperature	-40 to +150	°C
$T_{amb}$	Ambient operating temperature	-20 to +85	°C
	DC supply voltage (pins nA, nB)	40	V
$V_{MAX}$	Maximum voltage on VL (pin 20)	5.5	V

**Table 4. Thermal data**

Symbol	Parameter	Min	Typ	Max	Unit
$R_{thj-case}$	Thermal resistance junction to case (thermal pad)	-	-	2.5	°C/W
$T_{j-SD}$	Thermal shut-down junction temperature	-	150	-	°C
$T_{WARN}$	Thermal warning temperature	-	130	-	°C
$T_{h-SD}$	Thermal shut-down hysteresis	-	25	-	°C

**Table 5. Recommended operating conditions**

Symbol	Parameter	Value	Unit
$V_{DD33}$	I/O power supply	3.0 to 3.6	V
$T_j$	Operating junction temperature	-20 to +125	°C

#### 3.1 General interface specifications

Operating conditions  $V_{DD33} = 3.3 \text{ V} \pm 0.3 \text{ V}$ ,  $T_{amb} = 25^\circ \text{ C}$  unless otherwise specified

**Table 6. General interface electrical characteristics**

Symbol	Parameter	Test Condition	Min.	Typ.	Max.	Unit
$I_{il}$	Low level input no pull-up	$V_i = 0 \text{ V}^{(1)}$	-	-	1	$\mu\text{A}$
$I_{ih}$	High level input no pull-down	$V_i = V_{DD33}^{(1)}$	-	-	2	$\mu\text{A}$
$I_{OZ}$	3-state output leakage without pull-up/down	$V_i = V_{DD33}^{(1)}$	-	-	2	$\mu\text{A}$
$V_{esd}$	Electrostatic protection (human-body model)	Leakage current $< 1 \mu\text{A}$	2000	-	-	V

1. The leakage currents are generally very small ( $< 1 \text{ nA}$ ). The values given here are the maximum values after an electrostatic stress on the pin.

### 3.2 DC electrical specifications (3.3 V buffers)

Operating conditions  $V_{DD33} = 3.3 \text{ V} \pm 0.3 \text{ V}$ ,  $T_{\text{amb}} = 25^\circ \text{ C}$  unless otherwise specified

**Table 7. DC electrical specifications**

Symbol	Parameter	Test condition	Min.	Typ.	Max.	Unit
$V_{IL}$	Low level input voltage	-	-	-	0.8	V
$V_{IH}$	High level input voltage	-	2.0	-	-	V
$V_{\text{hyst}}$	Schmitt trigger hysteresis	-	0.4	-	-	V
$V_{ol}$	Low level output	$I_{ol} = 2 \text{ mA}$	-	-	0.15	V
$V_{oh}$	High level output	$I_{oh} = -2 \text{ mA}$	$V_{DD33} - 0.15$	-	-	V

### 3.3 Power electrical specifications

Operating conditions  $V_{DD33} = 3.3 \text{ V} \pm 0.3 \text{ V}$ ,  $V_L = 3.3 \text{ V}$ ,  $V_H = 30 \text{ V}$ ,  $T_{\text{amb}} = 25^\circ \text{ C}$  unless otherwise specified.

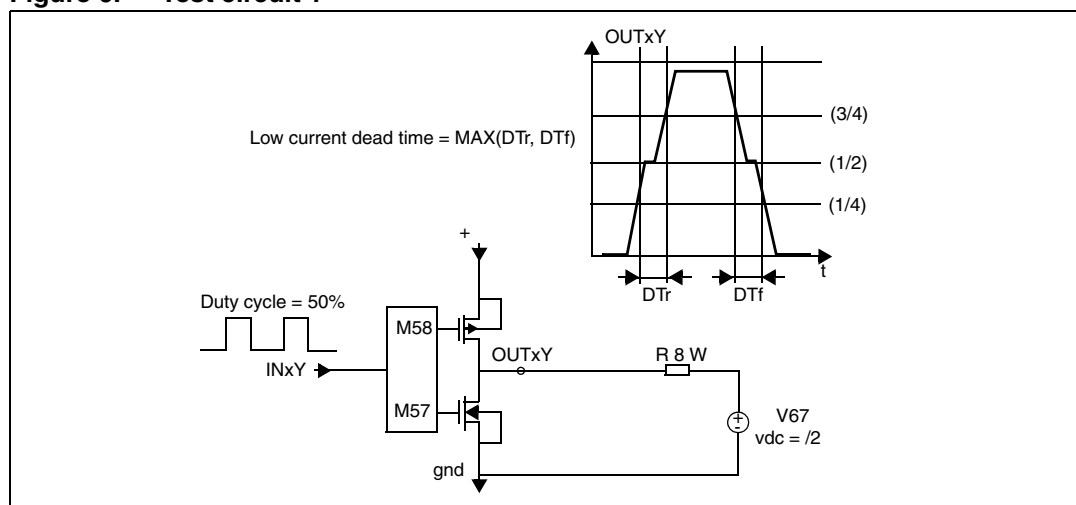
**Table 8. Power electrical characteristics**

Symbol	Parameter	Test conditions	Min.	Typ.	Max.	Unit
$R_{dsON}$	Power Pchannel/Nchannel MOSFET RdsON	$I_d = 1 \text{ A}$	-	200	270	$\text{m}\Omega$
$I_{dss}$	Power Pchannel/Nchannel leakage Idss	$V_L = 35 \text{ V}$	-	-	50	$\mu\text{A}$
$g_N$	Power Pchannel RdsON matching	$I_d = 1 \text{ A}$	95	-	-	%
$g_P$	Power Nchannel RdsON matching	$I_d = 1 \text{ A}$	95	-	-	%
$Dt\_s$	Low current dead time (static)	See test circuits, <a href="#">Figure 6</a> and <a href="#">Figure 7</a>	-	10	20	ns
$t_{dON}$	Turn-on delay time	Resistive load	-	-	100	ns
$t_{dOFF}$	Turn-off delay time	Resistive load	-	-	100	ns
$t_r$	Rise time	Resistive load, <a href="#">Figure 6</a> and <a href="#">Figure 7</a>	-	-	25	ns
$t_f$	Fall time	Resistive load, <a href="#">Figure 6</a> and <a href="#">Figure 7</a>	-	-	25	ns
	Supply voltage	-	10	-	36	V
$V_L$	Low logical state voltage VL	$V_L = 3.3 \text{ V}$	0.8	-	-	V
$V_H$	High logical state voltage VH	$V_L = 3.3 \text{ V}$	-	-	1.7	V
$I_{PWRDN}$	Supply current from in PWRDN	Pin PWRDN = 0 V	-	-	3	mA
$I_{-hiz}$	Supply current from in 3-state	$V_L = 30 \text{ V}$ , 3-state	-	22	-	mA

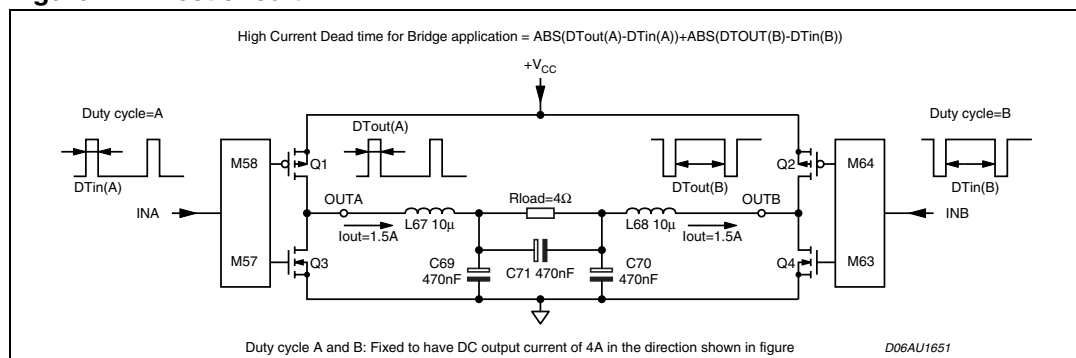
**Table 8. Power electrical characteristics (continued)**

Symbol	Parameter	Test conditions	Min.	Typ.	Max.	Unit
I	Supply current from in operation (both channel switching)	Input pulse width = 50% duty, switching frequency = 384 kHz, no LC filters	-	80	-	mA
I <sub>out-sh</sub>	Overcurrent protection threshold (short circuit current limit)	-	4.5	6	-	A
V <sub>UV</sub>	Undervoltage protection threshold	-	-	7	-	V
t <sub>pw-min</sub>	Output minimum pulse width	No load	70		150	ns
P <sub>o</sub>	Output power (refer to test circuit)	THD = 10% R <sub>L</sub> = 4Ω, = 21 V R <sub>L</sub> = 8Ω, = 36 V	-	50	-	W
P <sub>o</sub>	Output power (refer to test circuit)	THD = 1% R <sub>L</sub> = 4Ω, = 21 V R <sub>L</sub> = 8Ω, = 36 V	-	40	-	W

**Figure 6. Test circuit 1**



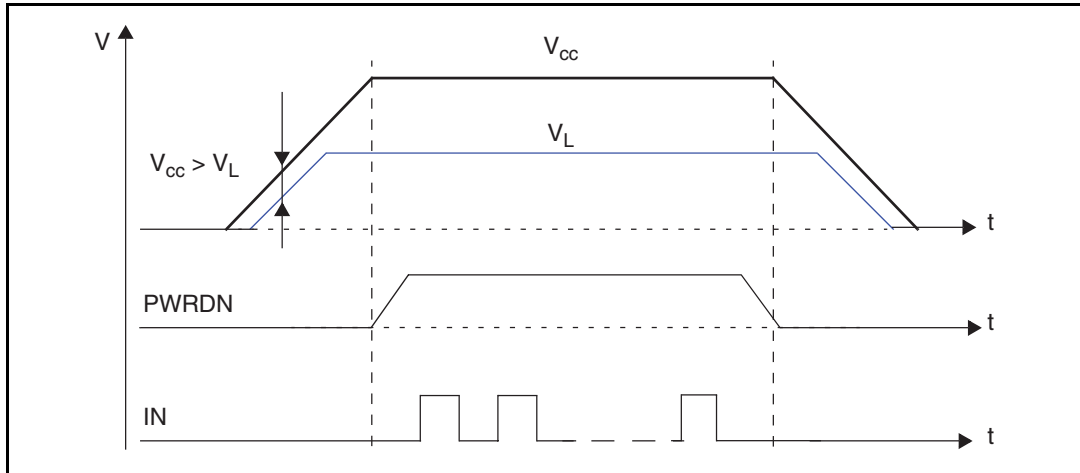
**Figure 7. Test circuit 2**



## 4 Power supply and control sequencing

To guarantee correct operation and reliability, the recommended power-on/off sequence as shown in [Figure 8](#) should be followed.

**Figure 8. Recommended power-on/off sequence**



$V_{CC}$  should be turned on before  $V_L$ . This prevents uncontrolled current flowing through the internal protection diode connected between  $V_L$  (logic supply) and  $V_{CC}$  (high power supply) which could result in damage to the device.

PWRDN must be released after  $V_L$  is switched on. An input signal can then be sent to the power stage.

# 5 Characterization curves

Figure 9. Channel separation vs. frequency

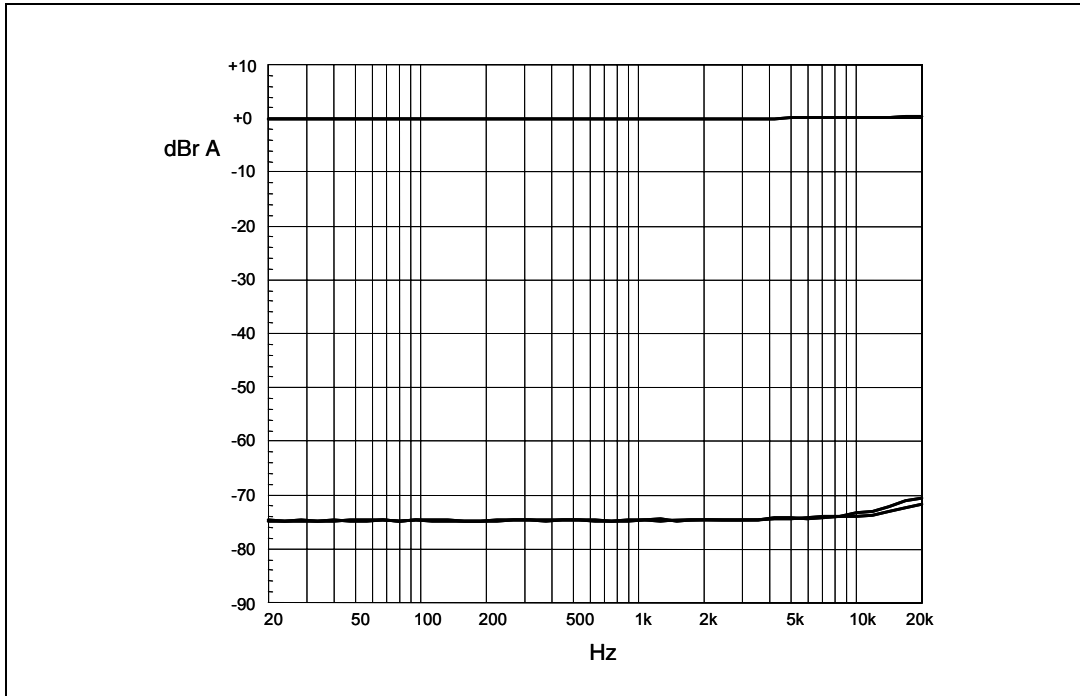


Figure 10. THD vs. output power - single ended

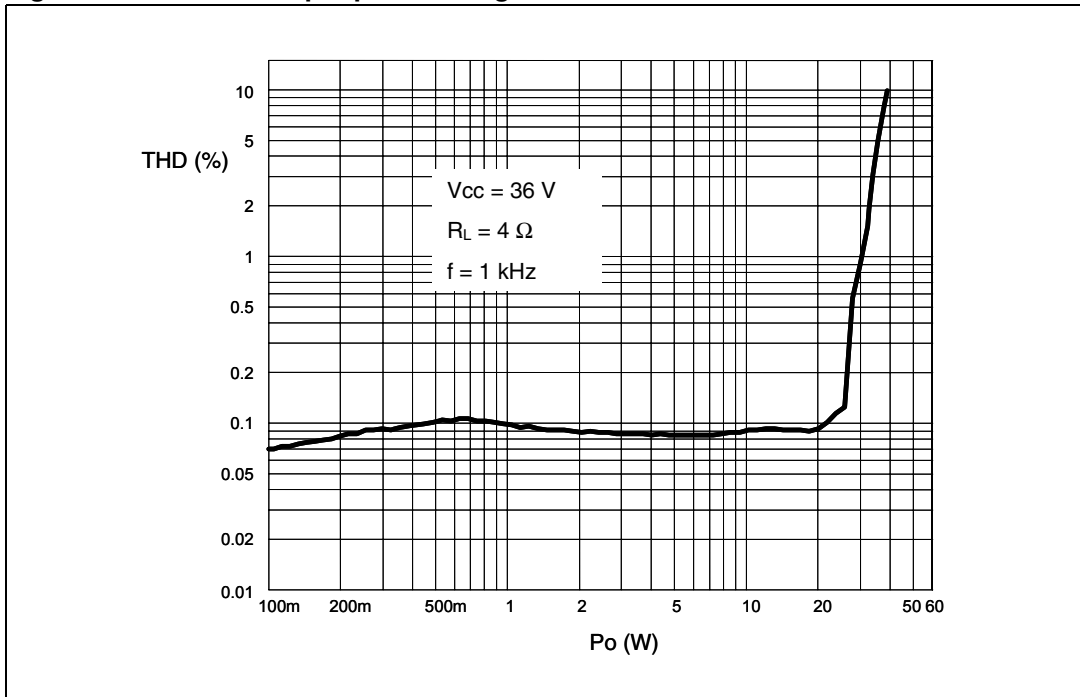


Figure 11. THD vs. output power - BTL

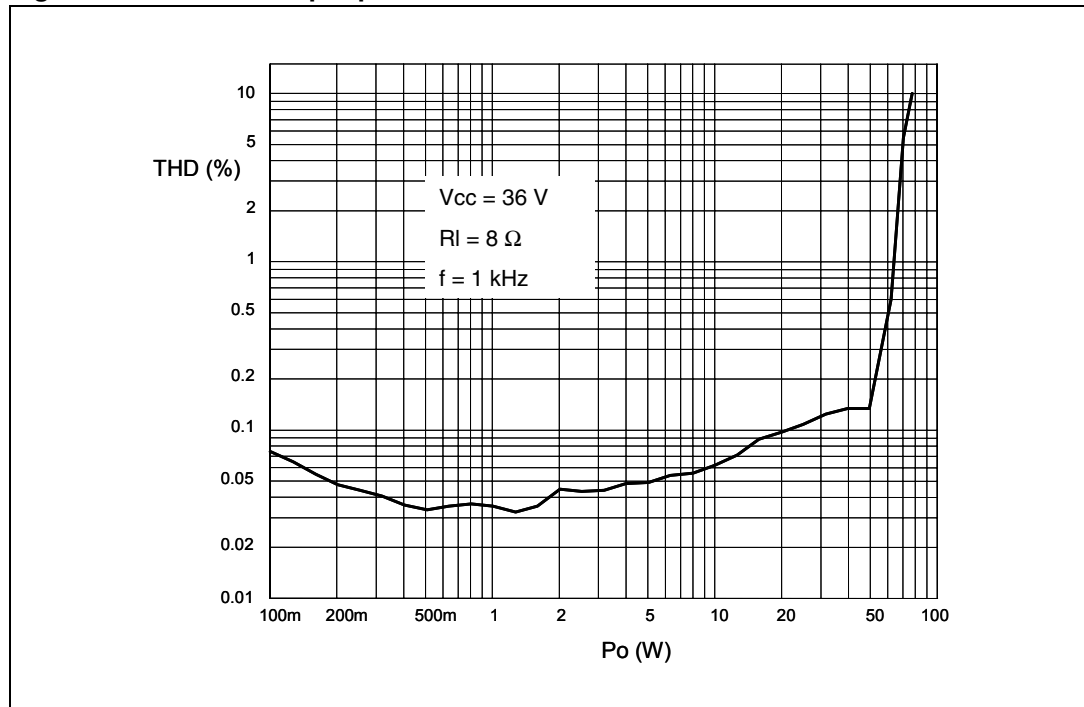
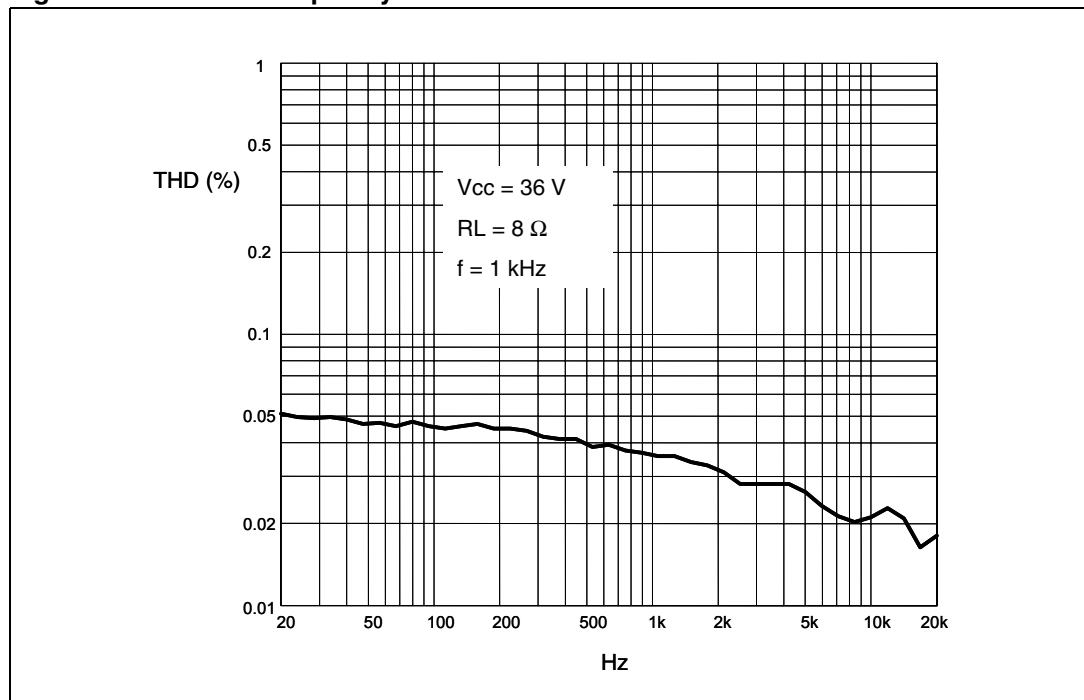


Figure 12. THD vs. frequency - BTL



## 6 I<sup>2</sup>C bus specification

The STA326 supports the I<sup>2</sup>C protocol. This protocol defines any device that sends data on to the I<sup>2</sup>C bus as a transmitter and any device that reads the data as a receiver. The device that controls the data transfer is known as the master and the other as the slave. The master always starts the transfer and provides the serial clock for synchronization. The STA326 is always a slave device in all of its communications.

### 6.1 Communication protocol

#### Data transition or change

Data changes on the SDA line must only occur when the SCL clock is low. SDA transition while the clock is high is used to identify a START or STOP condition.

#### Start condition

START is identified by a high to low transition of the data bus SDA signal while the clock signal SCL is stable in the high state. A START condition must precede any command for data transfer.

#### Stop condition

STOP is identified by a low to high transition of the data bus SDA signal while the clock signal SCL is stable in the high state. A STOP condition terminates communication between STA326 and the bus master.

#### Data input

During the data input the STA326 samples the SDA signal on the rising edge of clock SCL. For correct device operation the SDA signal must be stable during the rising edge of the clock and the data can change only when the SCL line is low.

### 6.2 Device addressing

To start communication between the master and the STA326, the master must initiate with a start condition. Following this, the master sends 8 bits (MSB first) onto the SDA line corresponding to the device select address and read or write mode.

The 7 MSBs are the device address identifiers, corresponding to the I<sup>2</sup>C bus definition. The STA326 device address is decimal 34 (binary 00100010).

The 8th bit (LSB) identifies read or write operation, RW. This bit is set to 1 in read mode and 0 for write mode. After a START condition the STA326 identifies the device address on the bus. If a match is found, it acknowledges the identification on the SDA bus during the 9th bit time. The byte following the device identification byte is the internal space address.

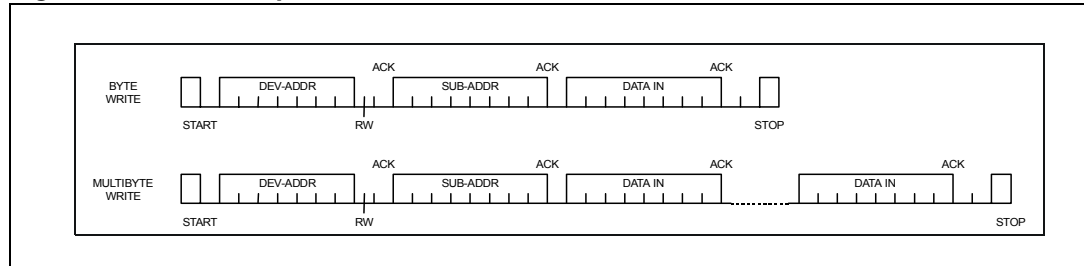


### 6.3 Write operation

Following the START condition the master sends a device select code with the RW bit set to 0. The STA326 acknowledges this and then the master writes the internal address byte.

After receiving the internal byte address the STA326 again responds with an acknowledgement.

Figure 13. I<sup>2</sup>C write procedure



#### Byte write

In the byte write mode the master sends one data byte. This is acknowledged by the STA326. The master then terminates the transfer by generating a STOP condition.

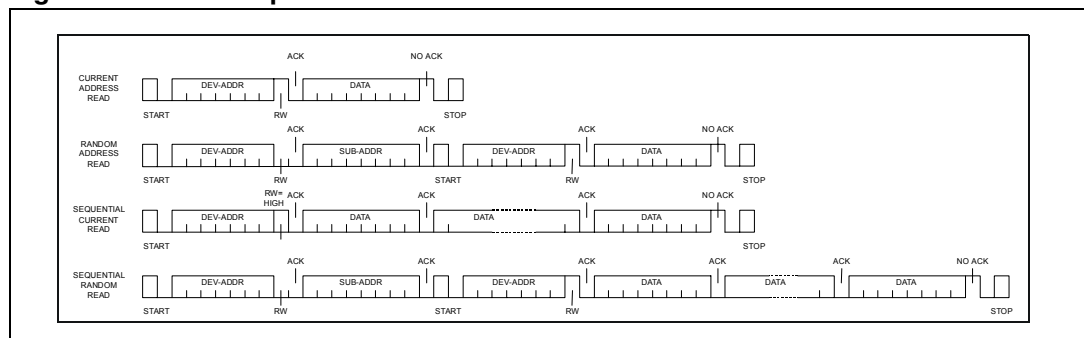
#### Multi-byte write

The multi-byte write modes can start from any internal address. Sequential data byte writes will be written to sequential addresses within the STA326.

The master generating a STOP condition terminates the transfer.

### 6.4 Read operation

Figure 14. I<sup>2</sup>C read procedure



#### Current address byte read

Following the START condition the master sends a device select code with the RW bit set to 1. The STA326 acknowledges this and then responds by sending one byte of data. The master then terminates the transfer by generating a STOP condition.

**Current address multi-byte read**

The multi-byte read modes can start from any internal address. Sequential data bytes will be read from sequential addresses within the STA326. The master acknowledges each data byte read and then generates a STOP condition terminating the transfer.

**Random address byte read**

Following the START condition the master sends a device select code with the RW bit set to 0. The STA326 acknowledges this and then the master writes the internal address byte. After receiving, the internal byte address the STA326 again responds with an acknowledgement. The master then initiates another START condition and sends the device select code with the RW bit set to 1. The STA326 acknowledges this and then responds by sending one byte of data. The master then terminates the transfer by generating a STOP condition.

**Random address multi-byte read**

The multi-byte read modes could start from any internal address. Sequential data bytes will be read from sequential addresses within the STA326. The master acknowledges each data byte read and then generates a STOP condition terminating the transfer.

## 7 Register description

You must not reprogram the register bits marked “Reserved”. It is important that these bits keep their default reset values.

**Table 9. Register summary**

Address	Name	D7	D6	D5	D4	D3	D2	D1	D0
0x00	CONFA	FDRB	TWAB	TWRB	IR1	IR0	MCS2	MCS1	MCS0
0x01	CONFB	C2IM	C1IM	DSCKE	SAIFB	SAI3	SAI2	SAI1	SAI0
0x02	CONFC	Reserved	CSZ4	CSZ3	CSZ2	CSZ1	CSZ0	OM1	OM0
0x03	CONFD	MME	ZDE	DRC	BQL	PSL	DSPB	DEMP	HPB
0x04	CONFE	SVE	ZCE	Reserved	PWMS	AME	Reserved	MPC	MPCV
0x05	CONFF	EAPD	PWDN	ECLE	Reserved	BCLE	IDE	OCFG1	OCFG0
0x06	MMUTE	Reserved	Reserved	Reserved	Reserved	Reserved	Reserved	Reserved	MMUTE
0x07	MVOL	MV7	MV6	MV5	MV4	MV3	MV2	MV1	MV0
0x08	C1VOL	C1V7	C1V6	C1V5	C1V4	C1V3	C1V2	C1V1	C1V0
0x09	C2VOL	C2V7	C2V6	C2V5	C2V4	C2V3	C2V2	C2V1	C2V0
0x0A	C3VOL	C3V7	C3V6	C3V5	C3V4	C3V3	C3V2	C3V1	C3V0
0x0B	AUTO1	AMPS	Reserved	AMGC1	AMGC0	AMV1	AMV0	AMEQ1	AMEQ0
0x0C	AUTO2	XO3	XO2	XO1	XO1	AMAM2	AMAM1	AMAM0	AMAME
0x0D	AUTO3	Reserved	Reserved	Reserved	PEQ4	PEQ3	PEQ2	PEQ1	PEQ0
0x0E	C1CFG	C1OM1	C1OM0	C1LS1	C1LS0	C1BO	C1VBP	C1EQBP	C1TCB
0x1F	C2CFG	C2OM1	C2OM0	C2LS1	C2LS0	C2BO	C2VBP	C2EQBP	C2TCB
0x10	C3CFG	C3OM1	C3OM0	C3LS1	C3LS0	C3BO	C3VBP	Reserved	Reserved
0x11	TONE	TTC3	TTC2	TTC1	TTC0	BTC3	BTC2	BTC1	BTC0
0x12	L1AR	L1A3	L1A2	L1A1	L1A0	L1R3	L1R2	L1R1	L1R0
0x13	L1ATRT	L1AT3	L1AT2	L1AT1	L1AT0	L1RT3	L1RT2	L1RT1	L1RT0
0x14	L2AR	L2A3	L2A2	L2A1	L2A0	L2R3	L2R2	L2R1	L2R0
0x15	L2ATRT	L2AT3	L2AT2	L2AT1	L2AT0	L2RT3	L2RT2	L2RT1	L2RT0
0x16	CFADDR2	CFA7	CFA6	CFA5	CFA4	CFA3	CFA2	CFA1	CFA0
0x17	B1CF1	C1B23	C1B22	C1B21	C1B20	C1B19	C1B18	C1B17	C1B16
0x18	B1CF2	C1B15	C1B14	C1B13	C1B12	C1B11	C1B10	C1B9	C1B8
0x19	B1CF3	C1B7	C1B6	C1B5	C1B4	C1B3	C1B2	C1B1	C1B0
0x1A	B2CF1	C2B23	C2B22	C2B21	C2B20	C2B19	C2B18	C2B17	C2B16
0x1B	B2CF2	C2B15	C2B14	C2B13	C2B12	C2B11	C2B10	C2B9	C2B8
0x1C	B2CF3	C2B7	C2B6	C2B5	C2B4	C2B3	C2B2	C2B1	C2B0
0x1D	A1CF1	C3B23	C3B22	C3B21	C3B20	C3B19	C3B18	C3B17	C3B16

Table 9. Register summary

Address	Name	D7	D6	D5	D4	D3	D2	D1	D0
0x1E	A1CF2	C3B15	C3B14	C3B13	C3B12	C3B11	C3B10	C3B9	C3B8
0x1F	A1CF3	C3B7	C3B6	C3B5	C3B4	C3B3	C3B2	C3B1	C3B0
0x20	A2CF1	C4B23	C4B22	C4B21	C4B20	C4B19	C4B18	C4B17	C4B16
0x21	A2CF2	C4B15	C4B14	C4B13	C4B12	C4B11	C4B10	C4B9	C4B8
0x22	A2CF3	C4B7	C4B6	C4B5	C4B4	C4B3	C4B2	C4B1	C4B0
0x23	B0CF1	C5B23	C5B22	C5B21	C5B20	C5B19	C5B18	C5B17	C5B16
0x24	B0CF2	C5B15	C5B14	C5B13	C5B12	C5B11	C5B10	C5B9	C5B8
0x25	B0CF3	C5B7	C5B6	C5B5	C5B4	C5B3	C5B2	C5B1	C5B0
0x26	CFUD	Reserved	Reserved	Reserved	Reserved	RA	R1	WA	W1
0x27	MPCC1	MPCC15	MPCC14	MPCC13	MPCC12	MPCC11	MPCC10	MPCC9	MPCC8
0x28	MPCC2	MPCC7	MPCC6	MPCC5	MPCC4	MPCC3	MPCC2	MPCC1	MPCC0
0x29	Reserved	Reserved	Reserved	Reserved	Reserved	Reserved	Reserved	Reserved	Reserved
0x2A	Reserved	Reserved	Reserved	Reserved	Reserved	Reserved	Reserved	Reserved	Reserved
0x2B	FDRC1	FDRC15	FDRC14	FDRC13	FDRC12	FDRC11	FDRC10	FDRC9	FDRC8
0x2C	FDRC2	FDRC7	FDRC6	FDRC5	FDRC4	FDRC3	FDRC2	FDRC1	FDRC0
0x2D	Reserved	Reserved	Reserved	Reserved	Reserved	Reserved	Reserved	Reserved	Reserved

## 7.1 Configuration register A (addr 0x00)

D7	D6	D5	D4	D3	D2	D1	D0
FDRB	TWAB	TWRB	IR1	IR0	MCS2	MCS1	MCS0
0	1	1	0	0	0	1	1

Table 10. Master clock select

Bit	R/W	RST	Name	Description
0	RW	1	MCS0	Master clock select: Selects the ratio between the input I <sup>2</sup> S sample frequency and the input clock.
1	RW	1	MCS1	-
2	RW	0	MCS2	-

The STA326 will support sample rates of 32 kHz, 44.1 kHz, 48 kHz, 88.2 kHz, and 96 kHz. Therefore the internal clock will be:

- 32.768 MHz for 32 kHz
- 45.1584 MHz for 44.1 kHz, 88.2 kHz, and 176.4 kHz
- 49.152 MHz for 48 kHz, 96 kHz, and 192 kHz

The external clock frequency provided to the XTI pin must be a multiple of the input sample frequency (fs). The correlation between the input clock and the input sample rate is determined by the status of the MCSx bits and the IR (input rate) register bits. The MCSx

bits determine the PLL factor generating the internal clock and the IR bit determines the oversampling ratio used internally.

**Table 11. IR and MCS settings for input sample rate and clock rate**

Input sample rate <i>fs</i> (kHz)	IR	MCS[2:0]					
		000	001	010	011	100	101
32, 44.1, 48	00	768 fs	512 fs	384 fs	256 fs	128 fs	576 fs
88.2, 96	01	384 fs	256 fs	192 fs	128 fs	64 fs	-
176.4, 192	1X	384 fs	256 fs	192 fs	128 fs	64 fs	-

**Table 12. Interpolation ratio select**

Bit	R/W	RST	Name	Description
4:3	RW	00	IR[1:0]	Interpolation ratio select: selects internal interpolation ratio based on input I <sup>2</sup> S sample frequency

The STA326 has variable interpolation (re-sampling) settings such that internal processing and DDX<sup>®</sup> output rates remain consistent. The first processing block interpolates by either 2 times or 1 time (pass-through) or provides a down-sample by a factor of 2.

The IR bits determine the re-sampling ratio of this interpolation.

**Table 13. IR bit settings as a function of input sample rate**

Input sample rate <i>fs</i> (kHz)	IR[1,0]	1 <sup>st</sup> stage interpolation ratio
32	00	2 times over-sampling
44.1	00	2 times over-sampling
48	00	2 times over-sampling
88.2	01	Pass-through
96	01	Pass-through
176.4	10	Down-sampling by 2
192	10	Down-sampling by 2

**Table 14. Thermal warning recovery bypass**

Bit	R/W	RST	Name	Description
5	RW	1	TWRB	Thermal warning recovery bypass: 0: thermal warning recovery enabled 1: thermal warning recovery disabled

If the thermal warning adjustment is enabled (TWAB = 0), then the thermal warning recovery will determine if the adjustment is removed when thermal warning is negative. If TWRB = 0 and TWAB = 0, then when a thermal warning disappears the gain adjustment determined by the thermal warning postscale (default = -3 dB) will be removed and the gain will be added back to the system. If TWRB = 1 and TWAB = 0, then when a thermal warning disappears the thermal warning postscale gain adjustment will remain until TWRB is changed to zero or the device is reset.

**Table 15. Thermal warning adjustment bypass**

Bit	R/W	RST	Name	Description
6	RW	1	TWAB	Thermal warning adjustment bypass: 0: thermal warning adjustment enabled 1: thermal warning adjustment disabled

The on-chip STA326 power output block provides feedback to the digital controller using inputs to the power control block. The TWARN input is used to indicate a thermal warning condition. When TWARN is asserted (set to 0) for a period greater than 400 ms, the power control block will force an adjustment to the modulation limit in an attempt to eliminate the thermal warning condition. Once the thermal warning volume adjustment is applied, whether the gain is reapplied when TWARN is de-asserted is dependent on the TWRB bit.

**Table 16. Fault detect recovery bypass**

Bit	R/W	RST	Name	Description
7	RW	0	FDRB	Fault detector recovery bypass: 0: fault detector recovery enabled 1: fault detector recovery disabled

The DDX<sup>®</sup> power block can provide feedback to the digital controller using inputs to the power control block. The FAULT input is used to indicate a fault condition (either over-current or thermal). When FAULT is asserted (set to 0), the power control block will attempt a recovery from the fault by asserting the 3-state output (setting it to 0 which directs the power output block to begin recovery). It holds it at 0 for period of time in the range of 0.1 ms to 1 s as defined by the fault-detect recovery constant register (FDRC registers 0x29 to 0x2A), then toggle it back to 1. This sequence is repeated as long as the fault indication exists. This feature is enabled by default but can be bypassed by setting the FDRB control bit to 1.

## 7.2 Configuration register B (addr 0x01)

D7	D6	D5	D4	D3	D2	D1	D0
C2IM	C1IM	DSCKE	SAIFB	SAI3	SAI2	SAI1	SAI0
1	0	0	0	0	0	0	0

This register configures the serial data interface

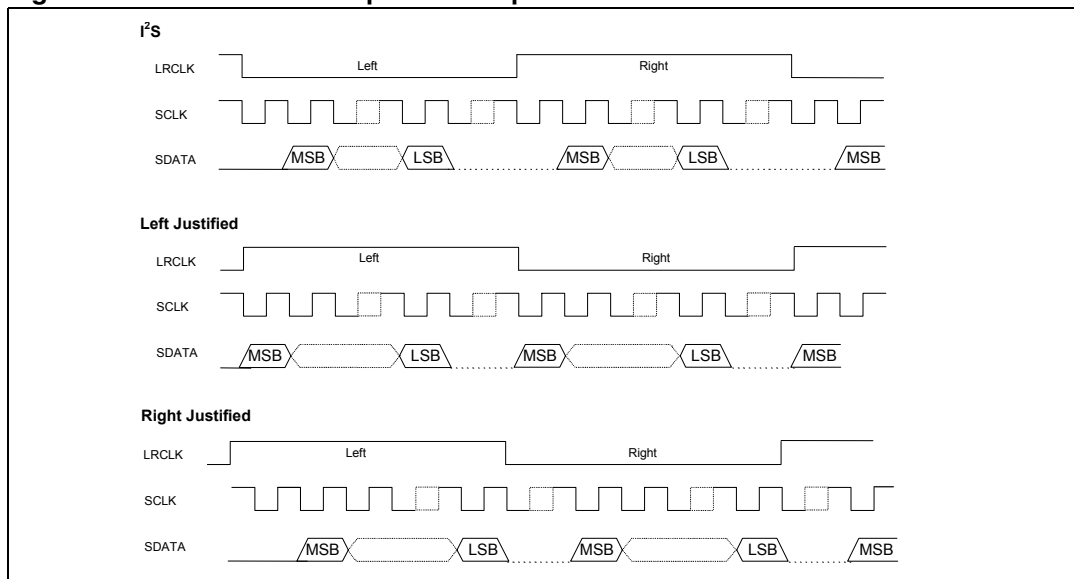
**Table 17. Serial audio input interface format**

Bit	R/W	RST	Name	Description
3:0	RW	0000	SAI[3:0]	Serial audio input interface format: determines the interface format of the input serial digital audio interface (see below).
4	RW	0	SAIFB	Data format: 0: MSB first 1: LSB first

The STA326 serial audio input was designed to interface with standard digital audio components and to accept a number of serial data formats. The STA326 always acts as a slave when receiving audio input from standard digital audio components. Serial data for two channels is provided using 3 input pins: left/right clock LRCKI (pin 31), serial clock BICKI (pin 32), and serial data SDI (pin 30).

SAI[3:0] and SAIFB are used to specify the serial data format. The default format is I<sup>2</sup>S, MSB-first. Available formats are shown below in [Figure 15](#) and the tables that follow.

**Figure 15. General serial input and output formats**



[Table 18](#) lists the serial audio input formats supported by STA326 when BICKI = 32 \* fs, 48 \* fs and 64 \* fs, where the sampling rate fs = 32, 44.1, 48, 88.2, 96, 176.4 or 192 kHz.

**Table 18. Supported serial audio input formats**

BICKI	SAI [3:0]	SAIFB	Interface format
32 * fs	1100	X	I <sup>2</sup> S 15-bit data
	1110	X	Left/right justified 16-bit data
48 * fs	0100	X	I <sup>2</sup> S 23-bit data
	0100	X	I <sup>2</sup> S 20-bit data
	1000	X	I <sup>2</sup> S 18-bit data
	0100	0	MSB first I <sup>2</sup> S 16-bit data
	1100	1	LSB first I <sup>2</sup> S 16-bit data
	0001	X	Left-justified 24-bit data
	0101	X	Left-justified 20-bit data
	1001	X	Left-justified 18-bit data
	1101	X	Left-justified 16-bit data
	0010	X	Right-justified 24-bit data
	0110	X	Right-justified 20-bit data
	1010	X	Right-justified 18-bit Data
64 * fs	1110	X	Right-justified 16-bit Data
	0000	X	I <sup>2</sup> S 24-bit data
	0100	X	I <sup>2</sup> S 20-bit data
	1000	X	I <sup>2</sup> S 18-bit data
	0000	0	MSB first I <sup>2</sup> S 16-bit data
	1100	1	LSB first I <sup>2</sup> S 16-bit data
	0001	X	Left-justified 24-bit data
	0101	X	Left-justified 20-bit data
	1001	X	Left-justified 18-bit data
	1101	X	Left-justified 16-bit data
	0010	X	Right-justified 24-bit data
	0110	X	Right-justified 20-bit data
	1010	X	Right-justified 18-bit data
	1110	X	Right-justified 16-bit data

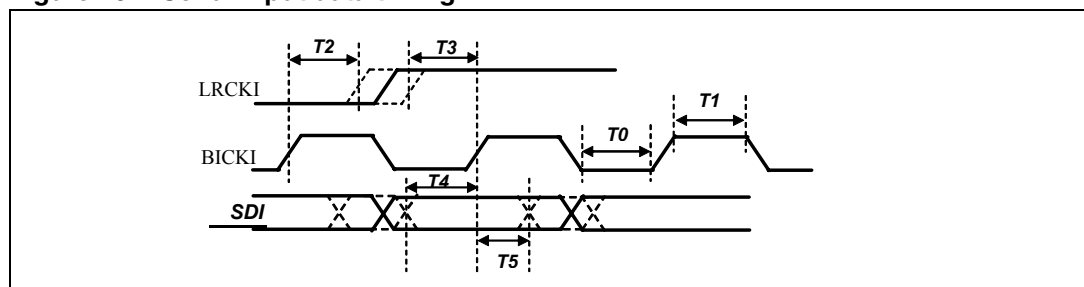
For example, SAI = 1110 and SAIFB = 1 would specify right-justified 16-bit data, LSB-first.



**Table 19. Serial input data timing characteristics (fs = 32 to 192 kHz)**

Parameter in <i>Figure 16</i>	Value
BICKI frequency (slave mode)	12.5 MHz max.
BICKI pulse width low (T0) (slave mode)	40 ns min.
BICKI pulse width high (T1) (slave mode)	40 ns min.
BICKI active to LRCKI edge delay (T2)	20 ns min.
BICKI active to LRCKI edge delay (T3)	20 ns min.
SDI valid to BICKI active setup (T4)	20 ns min.
BICKI active to SDI hold time (T5)	20 ns min.

**Figure 16. Serial input data timing**



**Table 20. Delay serial clock enable**

Bit	R/W	RST	Name	Description
5	RW	0	DSCKE	Delay serial clock enable: 0: no serial clock delay 1: serial clock delay by 1 core clock cycle to tolerate anomalies in some I <sup>2</sup> S master devices

**Table 21. Channel input mapping**

Bit	R/W	RST	Name	Description
6	RW	0	C1IM	0: processing channel 1 receives left I <sup>2</sup> S input 1: processing channel 1 receives right I <sup>2</sup> S input
7	RW	1	C2IM	0: processing channel 2 receives left I <sup>2</sup> S input 1: processing channel 2 receives right I <sup>2</sup> S input

Each channel received via I<sup>2</sup>S can be mapped to any internal processing channel via the channel input mapping registers. This allows for flexibility in processing. The default settings of these registers map each I<sup>2</sup>S input channel to its corresponding processing channel.

### 7.3 Configuration register C (addr 0x02)

D7	D6	D5	D4	D3	D2	D1	D0
Reserved	CSZ4	CSZ3	CSZ2	CSZ1	CSZ0	OM1	OM0
0	1	0	0	0	0	1	0

#### 7.3.1 DDX<sup>®</sup> power output mode

**Table 22. DDX<sup>®</sup> power output mode**

Bit	R/W	RST	Name	Description
1:0	RW	10	OM[1:0]	DDX <sup>®</sup> power output mode: Selects configuration of DDX <sup>®</sup> output

The DDX<sup>®</sup> power output mode selects how the DDX<sup>®</sup> output timing is configured. Different power devices can use different output modes. The recommended use is OM = 10. When OM = 11 the CSZ bits determine the size of the DDX<sup>®</sup> compensating pulse.

**Table 23. DDX<sup>®</sup> output modes**

OM[1,0]	Output stage - mode
00	Not used
01	Not used
10	Recommended
11	Variable compensation

#### 7.3.2 DDX<sup>®</sup> variable compensating pulse size

The DDX<sup>®</sup> variable compensating pulse size is intended to adapt to different power stage ICs. Contact Apogee applications for support when deciding this function.

**Table 24. DDX<sup>®</sup> compensating pulse**

CSZ[4:0]	Compensating pulse size
00000	0 clock period compensating pulse size
00001	1 clock period compensating pulse size
...	...
10000	16 clock period compensating pulse size
...	...
11111	31 clock period compensating pulse size

## 7.4 Configuration register D (addr 0x03)

D7	D6	D5	D4	D3	D2	D1	D0
MME	ZDE	DRC	BQL	PSL	DSPB	DEMP	HPB
0	1	0	0	0	0	0	0

**Table 25. High-pass filter bypass**

Bit	R/W	RST	Name	Description
0	RW	0	HPB	High-pass filter bypass bit. 0: AC coupling high pass filter enabled 1: AC coupling high pass filter disabled

The STA326 features an internal digital high-pass filter for the purpose of DC Blocking. The purpose of this filter is to prevent DC signals from passing through a DDX<sup>®</sup> amplifier. DC signals can cause speaker damage.

**Table 26. De-emphasis**

Bit	R/W	RST	Name	Description
1	RW	0	DEMP	De-emphasis: 0: no de-emphasis 1: de-emphasis

By setting this bit to 1, the de-emphasis will be implemented on all channels. DSPB (DSP Bypass, Bit D2, CFA) bit must be set to 0 for de-emphasis to function.

**Table 27. DSP bypass**

Bit	R/W	RST	Name	Description
2	RW	0	DSPB	DSP bypass bit: 0: normal Operation 1: bypass of EQ and mixing functionality

Setting the DSPB bit bypasses all the EQ and mixing functionality of the STA326 core.

**Table 28. Postscale link**

Bit	R/W	RST	Name	Description
3	RW	0	PSL	Postscale link: 0: each channel uses individual postscale value 1: each channel uses channel 1 postscale value

Postscale functionality is an attenuation placed after the volume control and directly before the conversion to PWM. Postscale can also be used to limit the maximum modulation index and therefore the peak current. A setting of 1 in the PSL register will result in the use of the value stored in channel 1 postscale for all three internal channels.

**Table 29. Biquad coefficient link**

Bit	R/W	RST	Name	Description
4	RW	0	BQL	Biquad link: 0: each channel uses coefficient values 1: each channel uses channel 1 coefficient values

For ease of use, all channels can use the biquad coefficients loaded into the channel 1 coefficient RAM space by setting the BQL bit to 1. Therefore, any EQ updates only have to be performed once.

**Table 30. Dynamic range compression/anti-clipping bit**

Bit	R/W	RST	Name	Description
5	RW	0	DRC	Dynamic range compression/anti-clipping 0: limiters act in anti-clipping mode 1: limiters act in dynamic range compression mode

Both limiters can be used in one of two ways, anti-clipping or dynamic range compression. When used in anti-clipping mode the limiter threshold values are constant and dependent on the limiter settings. In dynamic range compression mode the limiter threshold values vary with the volume settings allowing a nighttime listening mode that provides a reduction in the dynamic range regardless of the volume level.

**Table 31. Zero detect mute enable**

Bit	R/W	RST	Name	Description
6	RW	1	ZDE	Zero detect mute enable: setting of 1 enables the automatic zero-detect mute

Setting the ZDE bit enables the zero-detect automatic mute. When ZDE = 1, the zero detect circuit looks at the input data to each processing channel after the channel-mapping block. If any channel receives 2048 consecutive zero value samples (regardless of fs) then that individual channel is muted if this function is enabled.

**Table 32. Miami mode enable**

Bit	R/W	RST	Name	Description
7	RW	0	MME	Miami mode enable: 0: sub mix into left/right disabled 1: sub mix into left/right enabled

## 7.5 Configuration register E (addr 0x04)

D7	D6	D5	D4	D3	D2	D1	D0
SVE	ZCE	Reserved	PWMS	AME	Reserved	MPC	MPCV
1	1	0	0	0	0	1	0

**Table 33. Max power correction variable**

Bit	R/W	RST	Name	Description
0	RW	0	MPCV	Max power correction variable: 0: use standard MPC coefficient 1: use MPCC bits for MPC coefficient

By enabling MPC and setting MPCV = 1, the max power correction becomes variable. By adjusting the MPCC registers (address 0x27, 0x28) it becomes possible to adjust the THD at maximum unclipped power to a lower value for a particular application.

**Table 34. Max power correction**

Bit	R/W	RST	Name	Description
1	RW	1	MPC	Max power correction: 0: MPC disabled 1: MPC enabled

Setting the MPC bit corrects the DDX<sup>®</sup> power device at high power. This mode lowers the THD+N of a full DDX<sup>®</sup> system at maximum power output and slightly below.

**Table 35. AM mode enable**

Bit	R/W	RST	Name	Description
3	RW	0	AME	AM mode enable: 0: normal DDX <sup>®</sup> operation. 1: AM reduction mode DDX <sup>®</sup> operation.

The STA326 features a DDX<sup>®</sup> processing mode that minimizes the amount of noise generated in the frequency range of AM radio. This mode is intended for use when DDX<sup>®</sup> is operating in a device with an active AM tuner. The SNR of the DDX<sup>®</sup> processing is reduced to approximately 83 dB in this mode, which is still greater than the SNR of AM radio.

**Table 36. PWM speed mode**

Bit	R/W	RST	Name	Description
4	RW	0	PWMS	PWM output speed selection: 0: normal speed (384 kHz) all channels 1: odd speed (341.3 kHz) all channels

**Table 37. Zero-crossing volume enable**

Bit	R/W	RST	Name	Description
6	RW	1	ZCE	Zero-crossing volume enable: 1: volume adjustments will only occur at digital zero-crossings 0: volume adjustments will occur immediately

The ZCE bit enables zero-crossing volume adjustments. When volume is adjusted on digital zero-crossings no clicks will be audible.

**Table 38. Soft volume update enable**

Bit	R/W	RST	Name	Description
7	RW	1	SVE	Soft volume enable: 1: volume adjustments will use soft volume 0: volume adjustments will occur immediately

The STA326 includes a soft volume algorithm that will step through the intermediate volume values at a predetermined rate when a volume change occurs. By setting SVE = 0 this can be bypassed and volume changes will jump from old to new value directly. This feature is only available if individual channel volume bypass bit is set to 0.

## 7.6 Configuration register F (addr 0x05)

D7	D6	D5	D4	D3	D2	D1	D0
EAPD	PWDN	ECLE	Reserved	BCLE	IDE	OCFG1	OCFG0
0	1	0	1	1	1	0	0

**Table 39. Output configuration selection**

Bit	R/W	RST	Name	Description
1:0	RW	00	OCFG[1:0]	Output configuration selection 00: 2-channel (full-bridge) power, 1-channel DDX <sup>®</sup> is default

**Table 40. Output configuration selection**

OCFG[1:0]	Output power configuration
00	2 channel (full-bridge) power, 1 channel DDX <sup>®</sup> : 1A/1B $\diamond$ 1A/1B 2A/2B $\diamond$ 2A/2B
01	2 (half-bridge) and 1 (full-bridge) on-board power: 1A $\diamond$ 1A binary 2A $\diamond$ 1B binary 3A/3B $\diamond$ 2A/2B binary
10	Reserved
11	1 channel mono-parallel: 3A $\diamond$ 1A/1B 3B $\diamond$ 2A/2B

**Table 41. Invalid input detect mute enable**

Bit	R/W	RST	Name	Description
2	RW	1	IDE	Invalid input detect auto-mute enable: 0: disabled 1: enabled

Setting the IDE bit enables this function, which looks at the input I<sup>2</sup>S data and clocking and will automatically mute all outputs if the signals are perceived as invalid.

**Table 42. Binary clock loss detection enable**

Bit	R/W	RST	Name	Description
3	RW	1	BCLE	Binary output mode clock loss detection enable 0: disabled 1: enabled

Detects loss of input MCLK in binary mode and will output 50% duty cycle to prevent audible artifacts when input clocking is lost.

**Table 43. Auto-EAPD on clock loss enable**

Bit	R/W	RST	Name	Description
5	RW	0	ECLE	Auto EAPD on clock loss 0: disabled 1: enabled

When ECLE is active, it issues a power device power down signal (EAPD) on clock loss detection.

**Table 44. Software power down**

Bit	R/W	RST	Name	Description
6	RW	1	PWDN	Software power down: 0: power down mode: initiates a power-down sequence which results in a soft mute of all channels and finally asserts EAPD circa 260 ms later 1: normal operation

**Table 45. External amplifier power down**

Bit	R/W	RST	Name	Description
7	RW	0	EAPD	External amplifier power down: 0: external power stage power down active 1: normal operation

EAPD is used to actively power down a connected DDX<sup>®</sup> power device. This register has to be written to 1 at start-up to enable the DDX<sup>®</sup> power device for normal operation.



## 7.7 Volume control

### 7.7.1 Master controls

#### Master mute register (addr 0x06)

D7	D6	D5	D4	D3	D2	D1	D0
Reserved	Reserved	Reserved	Reserved	Reserved	Reserved	Reserved	MMUTE
0	0	0	0	0	0	0	0

#### Master volume register (addr 0x07)

D7	D6	D5	D4	D3	D2	D1	D0
MV7	MV6	MV5	MV4	MV3	MV2	MV1	MV0
1	1	1	1	1	1	1	1

*Note:* Value of volume derived from MVOL is dependent on AMV Automode volume settings.

### 7.7.2 Channel controls

#### Channel 1 volume (addr 0x08)

D7	D6	D5	D4	D3	D2	D1	D0
C1V7	C1V6	C1V5	C1V4	C1V3	C1V2	C1V1	C1V0
0	1	1	0	0	0	0	0

#### Channel 2 volume (addr 0x09)

D7	D6	D5	D4	D3	D2	D1	D0
C2V7	C2V6	C2V5	C2V4	C2V3	C2V2	C2V1	C2V0
0	1	1	0	0	0	0	0

#### Channel 3 volume (addr 0x0A)

D7	D6	D5	D4	D3	D2	D1	D0
C3V7	C3V6	C3V5	C3V4	C3V3	C3V2	C3V1	C3V0
0	1	1	0	0	0	0	0

### 7.7.3 Volume description

The volume structure of the STA326 consists of individual volume registers for each of the three channels and a master volume register, and individual channel volume trim registers. The channel volume settings are normally used to set the maximum allowable digital gain and to hard-set gain differences between certain channels. These values are normally set at the initialization of the IC and not changed. The individual channel volumes are adjustable in 0.5-dB steps from +48 dB to -80 dB. The master volume control is normally mapped to the master volume of the system. The values of these two settings are summed to find the actual gain/volume value for any given channel.

When set to 1, the master mute will mute all channels, whereas the individual channel mutes (CxM) will mute only that channel. Both the master mute and the channel mutes provide a “soft mute” with the volume ramping down to mute in 4096 samples from the maximum volume setting at the internal processing rate (approximately 96 kHz). A “hard

mute” can be obtained by programming the value 0xFF to any channel volume register or the master volume register. When volume offsets are provided via the master volume register any channel whose total volume is less than -100 dB will be muted.

All changes in volume take place at zero-crossings when ZCE = 1 (configuration register E) on a per channel basis as this creates the smoothest possible volume transitions. When ZCE = 0, volume updates will occur immediately.

The STA326 also features a soft-volume update function that will ramp the volume between intermediate values when the value is updated, when SVE = 1 (configuration register E). This feature can be disabled by setting SVE = 0.

Each channel also contains an individual channel volume bypass. If a particular channel has volume bypassed via the CxVBP = 1 register then only the channel volume setting for that particular channel affects the volume setting, the master volume setting will not affect that channel. Also, master soft-mute will not affect the channel if CxVBP = 1.

Each channel also contains a channel mute. If CxM = 1 a soft mute is performed on that channel

**Table 46. Master volume offset as a function of MV[7:0]**

MV[7:0]	Volume offset from channel value
00000000 (0x00)	0 dB
00000001 (0x01)	-0.5 dB
00000010 (0x02)	-1 dB
...	...
01001100 (0x4C)	-38 dB
...	...
11111110 (0xFE)	-127 dB
11111111 (0xFF)	Hard master mute

**Table 47. Channel volume as a function of CxV[7:0]**

CxV[7:0]	Volume
00000000 (0x00)	+48 dB
00000001 (0x01)	+47.5 dB
00000010 (0x02)	+47dB
...	...
01100001 (0x5F)	+0.5 dB
01100000 (0x60)	0 dB
01011111 (0x61)	-0.5 dB
...	...
11111110 (0xFE)	-79.5 dB
11111111 (0xFF)	Hard channel mute

## 7.8 Automode registers

### 7.8.1 Automodes EQ, volume, GC (addr 0x0B)

D7	D6	D5	D4	D3	D2	D1	D0
AMPS	Reserved	AMGC1	AMGC0	AMV1	AMV0	AMEQ1	AMEQ0
1	0	0	0	0	0	0	0

**Table 48. Automode EQ**

AMEQ[1,0]	Mode (biquad 1-4)
00	User programmable
01	Preset EQ - PEQ bits
10	Auto volume controlled loudness curve
11	Not used

By setting AMEQ to any setting other than 00 enables Automode EQ where biquads 1-4 are not user programmable. Any coefficient settings for these biquads are ignored. Also when Automode EQ is used the prescale value for channels 1-2 becomes hard-set to -18 dB.

**Table 49. Automode volume**

AMV[1,0]	Mode (MVOL)
00	MVOL 0.5 dB 256 steps (standard)
01	MVOL auto curve 30 steps
10	MVOL auto curve 40 steps
11	MVOL auto curve 50 steps

**Table 50. Automode gain compression/limiters**

AMGC[1:0]	Mode
00	User programmable GC
01	AC no clipping
10	AC limited clipping (10%)
11	DRC nighttime listening mode

**Table 51. AMPS - Automode auto prescale**

Bit	R/W	RST	Name	Description
7	RW	1	AMPS	Automode prescale 0: -18 dB used for prescale when AMEQ neq 00 1: user defined prescale when AMEQ neq 00

## 7.8.2 Automode AM/prescale/bass management scale (addr 0x0C)

D7	D6	D5	D4	D3	D2	D1	D0
XO3	XO2	XO1	XO0	AMAM2	AMAM1	AMAM0	AMAME
0	0	0	0	0	0	0	0

**Table 52. Automode AM switching enable**

Bit	R/W	RST	Name	Description
0	RW	0	AMAME	Automode AM enable 0: switching frequency determined by PWMS setting 1: switching frequency determined by AMAM settings
3:1	RW	000	AMAM[2:0]	AM switching frequency setting 000: default

**Table 53. Automode AM switching frequency selection**

AMAM[2:0]	48 kHz/96 kHz input fs	44.1 kHz/88.2 kHz input fs
000	0.535 MHz -0.720 MHz	0.535 MHz -0.670 MHz
001	0.721 MHz -0.900 MHz	0.671 MHz -0.800 MHz
010	0.901 MHz -1.100 MHz	0.801 MHz -1.000 MHz
011	1.101 MHz -1.300 MHz	1.001 MHz -1.180 MHz
100	1.301 MHz -1.480 MHz	1.181 MHz -1.340 MHz
101	1.481 MHz -1.600 MHz	1.341 MHz -1.500 MHz
110	1.601 MHz -1.700 MHz	1.501 MHz - 1.700 MHz

When DDX<sup>®</sup> is used concurrently with an AM radio tuner, it is advisable to use the AMAM bits to automatically adjust the output PWM switching rate dependent upon the specific radio frequency that the tuner is receiving. The values used in AMAM are also dependent upon the sample rate determined by the ADC used.

**Table 54. Automode crossover setting**

Bit	R/W	RST	Name	Description
7:4	RW	0	XO[3:0]	Automode crossover frequency selection 000: user defined crossover coefficients are used Otherwise: preset coefficients for the crossover setting desired

**Table 55. Crossover frequency selection**

XO[2:0]	Bass management - Crossover frequency
0000	User
0001	80 Hz
0010	100 Hz
0011	120 Hz
0100	140 Hz

**Table 55. Crossover frequency selection (continued)**

XO[2:0]	Bass management - Crossover frequency
0101	160 Hz
0110	180 Hz
0111	200 Hz
1000	220 Hz
1001	240 Hz
1010	260 Hz
1011	280 Hz
1100	300 Hz
1101	320 Hz
1110	340 Hz
1111	360 Hz

**7.8.3 Preset EQ settings (addr 0x0D)**

D7	D6	D5	D4	D3	D2	D1	D0
Reserved	Reserved	Reserved	PEQ4	PEQ3	PEQ2	PEQ1	PEQ0
0	0	0	0	0	0	0	0

**Table 56. Preset EQ selection**

PEQ[3:0]	Setting
00000	Flat
00001	Rock
00010	Soft rock
00011	Jazz
00100	Classical
00101	Dance
00110	Pop
00111	Soft
01000	Hard
01001	Party
01010	Vocal
01011	Hip-hop
01100	Dialog
01101	Bass-boost #1
01110	Bass-boost #2
01111	Bass-boost #3
10000	Loudness 1 (least boost)

Table 56. Preset EQ selection (continued)

PEQ[3:0]	Setting
10001	Loudness 2
10010	Loudness 3
10011	Loudness 4
10100	Loudness 5
10101	Loudness 6
10110	Loudness 7
10111	Loudness 8
11000	Loudness 9
11001	Loudness 10
11010	Loudness 11
11011	Loudness 12
11100	Loudness 13
11101	Loudness 14
11110	Loudness 15
11111	Loudness 16 (most boost)

## 7.9 Channel configuration registers

### 7.9.1 Channel 1 configuration (addr 0x0E)

D7	D6	D5	D4	D3	D2	D1	D0
C1OM1	C1OM0	C1LS1	C1LS0	C1BO	C1VBP	C1EQBP	C1TCB
0	0	0	0	0	0	0	0

### 7.9.2 Channel 2 configuration (addr 0x0F)

D7	D6	D5	D4	D3	D2	D1	D0
C2OM1	C2OM0	C2LS1	C2LS0	C2BO	C2VBP	C2EQBP	C2TCB
0	0	0	0	0	0	0	0

### 7.9.3 Channel 3 configuration (addr 0x10)

D7	D6	D5	D4	D3	D2	D1	D0
C3OM1	C3OM0	C3LS1	C3LS0	C3BO	C3VBP	Reserved	Reserved
0	0	0	0	0	0	0	0

EQ control can be bypassed on a per channel basis. If EQ control is bypassed on a given channel the prescale and all 9 filters (high-pass, biquads, de-emphasis, bass management cross-over, bass, treble in any combination) are bypassed for that channel.

**CxEQBP**

- 0: perform EQ on channel X - normal operation
- 1: bypass EQ on channel X

Tone control (bass/treble) can be bypassed on a per channel basis. If tone control is bypassed on a given channel the two filters that tone control utilizes are bypassed.

**CxTCB**

- 0: perform tone control on channel X - (default operation)
- 1: bypass tone control on channel X

Each channel can be configured to output either the patented DDX<sup>®</sup> PWM data or standard binary PWM encoded data. By setting the CxBO bit to 1, each channel can be individually controlled to be in binary operation mode.

Also, there is the capability to map each channel independently onto any of the two limiters available within the STA326 or even not map it to any limiter at all (default mode).

**Table 57. Channel limiter mapping selection**

CxLS[1,0]	Channel limiter mapping
00	Channel has limiting disabled
01	Channel is mapped to limiter #1
10	Channel is mapped to limiter #2

Each PWM output channel can receive data from any channel output of the volume block. Which channel a particular PWM output receives is dependent upon that channel's CxOM register bits.

**Table 58. Channel PWM output mapping**

CxOM[1:0]	PWM output from
00	Channel 1
01	Channel 2
10	Channel 3
11	Not used

### 7.10 Tone control (addr 0x11)

D7	D6	D5	D4	D3	D2	D1	D0
TTC3	TTC2	TTC1	TTC0	BTC3	BTC2	BTC1	BTC0
0	1	1	1	0	1	1	1

**Table 59. Tone control boost/cut selection**

BTC[3:0]/TTC[3:0]	Boost/Cut
0000	-12 dB
0001	-12 dB
...	...
0111	-4 dB
0110	-2 dB
0111	0 dB
1000	+2 dB
1001	+4 dB
...	...
1101	+12 dB
1110	+12 dB
1111	+12 dB



## 7.11 Dynamics control

### 7.11.1 Limiter 1 attack/release threshold (addr 0x12)

D7	D6	D5	D4	D3	D2	D1	D0
L1A3	L1A2	L1A1	L1A0	L1R3	L1R2	L1R1	L1R0
0	1	1	0	1	0	1	0

### 7.11.2 Limiter 1 attack/release threshold (addr 0x13)

D7	D6	D5	D4	D3	D2	D1	D0
L1AT3	L1AT2	L1AT1	L1AT0	L1RT3	L1RT2	L1RT1	L1RT0
0	1	1	0	1	0	0	1

### 7.11.3 Limiter 2 attack/release rate (addr 0x14)

D7	D6	D5	D4	D3	D2	D1	D0
L2A3	L2A2	L2A1	L2A0	L2R3	L2R2	L2R1	L2R0
0	1	1	0	1	0	1	0

### 7.11.4 Limiter 2 attack/release threshold (addr 0x15)

D7	D6	D5	D4	D3	D2	D1	D0
L2AT3	L2AT2	L2AT1	L2AT0	L2RT3	L2RT2	L2RT1	L2RT0
0	1	1	0	1	0	0	1

### 7.11.5 Dynamics control description

The STA326 includes 2 independent limiter blocks. The purpose of the limiters is to automatically reduce the dynamic range of a recording to prevent the outputs from clipping in anti-clipping mode, or to actively reduce the dynamic range for a better listening environment (such as a night-time listening mode, which is often needed for DVDs.) The two modes are selected via the DRC bit in configuration register D (bit 5, address 0x03). Each channel can be mapped to Limiter1, Limiter2, or not mapped.

If a channel is not mapped, that channel will clip normally when 0 dBFS is exceeded. Each limiter will look at the present value of each channel that is mapped to it, select the maximum absolute value of all these channels, perform the limiting algorithm on that value, and then if needed adjust the gain of the mapped channels in unison.

The limiter attack thresholds are determined by the LxAT registers. When the attack threshold has been exceeded, the limiter, when active, will automatically start reducing the gain. The rate at which the gain is reduced when the attack threshold is exceeded is dependent upon the attack rate register setting for that limiter. The gain reduction occurs on a peak-detect algorithm.

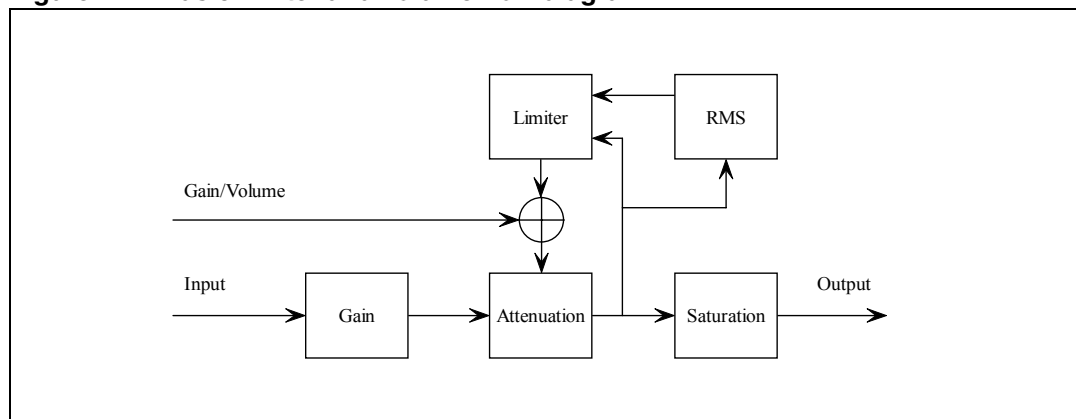
The release of limiter, when the gain is again increased, is dependent on a RMS-detect algorithm. The output of the volume/limiter block is passed through an RMS filter. The output of this filter is compared to the release threshold, determined by the Release Threshold register.

When the RMS filter output falls below the release threshold, the gain is increased at a rate dependent upon the release rate register. The gain can never be increased past its set value

and therefore the release will only occur if the limiter has already reduced the gain. The release threshold value can be used to set what is effectively a minimum dynamic range. This is helpful as over-limiting can reduce the dynamic range to virtually zero and cause program material to sound “lifeless”.

In AC mode the attack and release thresholds are set relative to full-scale. In DRC mode the attack threshold is set relative to the maximum volume setting of the channels mapped to that limiter and the release threshold is set relative to the maximum volume setting plus the attack threshold.

**Figure 17. Basic limiter and volume flow diagram**



**Table 60. Limiter attack/release rate selection**

LxA[3:0]	Attack rate dB/ms		LxR[3:0]	Release rate dB/ms
0000	3.1584	Fast	0000	0.5116
0001	2.7072		0001	0.1370
0010	2.2560		0010	0.0744
0011	1.8048		0011	0.0499
0100	1.3536		0100	0.0360
0101	0.9024		0101	0.0299
0110	0.4512		0110	0.0264
0111	0.2256		0111	0.0208
1000	0.1504		1000	0.0198
1001	0.1123		1001	0.0172
1010	0.0902		1010	0.0147
1011	0.0752		1011	0.0137
1100	0.0645		1100	0.0134
1101	0.0564		1101	0.0117
1110	0.0501		1110	0.0110
1111	0.0451	Slow	1111	0.0104

### 7.11.6 Anti-clipping mode

**Table 61. Limiter attack/release threshold selection (AC mode)**

LxAT[3:0]	Attack threshold (AC) dB relative to FS	LxRT[3:0]	Release threshold (AC) dB relative to FS
0000	-12	0000	$-\infty$
0001	-10	0001	-29 dB
0010	-8	0010	-20 dB
0011	-6	0011	-16 dB
0100	-4	0100	-14 dB
0101	-2	0101	-12 dB
0110	0	0110	-10 dB
0111	+2	0111	-8 dB
1000	+3	1000	-7 dB
1001	+4	1001	-6 dB
1010	+5	1010	-5 dB
1011	+6	1011	-4 dB
1100	+7	1100	-3 dB
1101	+8	1101	-2 dB
1110	+9	1110	-1 dB
1111	+10	1111	-0 dB

## 7.11.7 Dynamic range compression mode

Table 62. Limiter attack/release threshold selection (DRC mode)

LxAT[3:0]	Attack threshold (DRC) dB relative to volume	LxRT[3:0]	Release threshold (DRC) db relative to volume + LxAT
0000	-31	0000	$-\infty$
0001	-29	0001	-38 dB
0010	-27	0010	-36 dB
0011	-25	0011	-33 dB
0100	-23	0100	-31 dB
0101	-21	0101	-30 dB
0110	-19	0110	-28 dB
0111	-17	0111	-26 dB
1000	-16	1000	-24 dB
1001	-15	1001	-22 dB
1010	-14	1010	-20 dB
1011	-13	1011	-18 dB
1100	-12	1100	-15 dB
1101	-10	1101	-12 dB
1110	-7	1110	-9 dB
1111	-4	1111	-6 dB

## 8 User programmable processing

### 8.1 EQ - biquad equation

The biquads use the equation that follows. This is diagrammed in *Figure 18* below.

$$Y[n] = 2(b_0/2)X[n] + 2(b_1/2)X[n - 1] + b_2X[n - 2] - 2(a_1/2)Y[n - 1] - a_2Y[n - 2]$$

$$= b_0X[n] + b_1X[n - 1] + b_2X[n - 2] - a_1Y[n - 1] - a_2Y[n - 2]$$

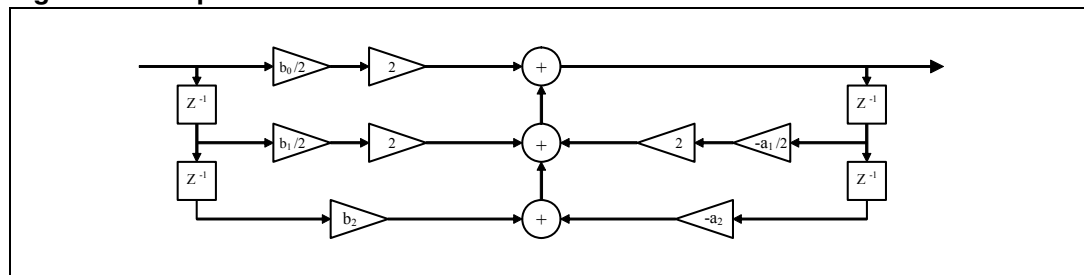
where Y[n] represents the output and X[n] represents the input. Multipliers are 28-bit signed fractional multipliers, with coefficient values in the range of 0x800000 (-1) to 0x7FFFFFFF (0.9999998808).

Coefficients stored in the user defined coefficient RAM are referenced in the following manner:

- CxHy0 = b1/2
- CxHy1 = b2
- CxHy2 = -a1/2
- CxHy3 = -a2
- CxHy4 = b0/2

The x represents the channel and the y the biquad number. For example C3H41 is the b0/2 coefficient in the fourth biquad for channel 3

**Figure 18. Biquad filter**



### 8.2 Prescale

The prescale block which precedes the first biquad is used for attenuation when filters are designed that boost frequencies above 0 dBFS. This is a single 28-bit signed multiplier, with 0x800000 = -1 and 0x7FFFFFFF = 0.9999998808. By default, all prescale factors are set to 0x7FFFFFFF.

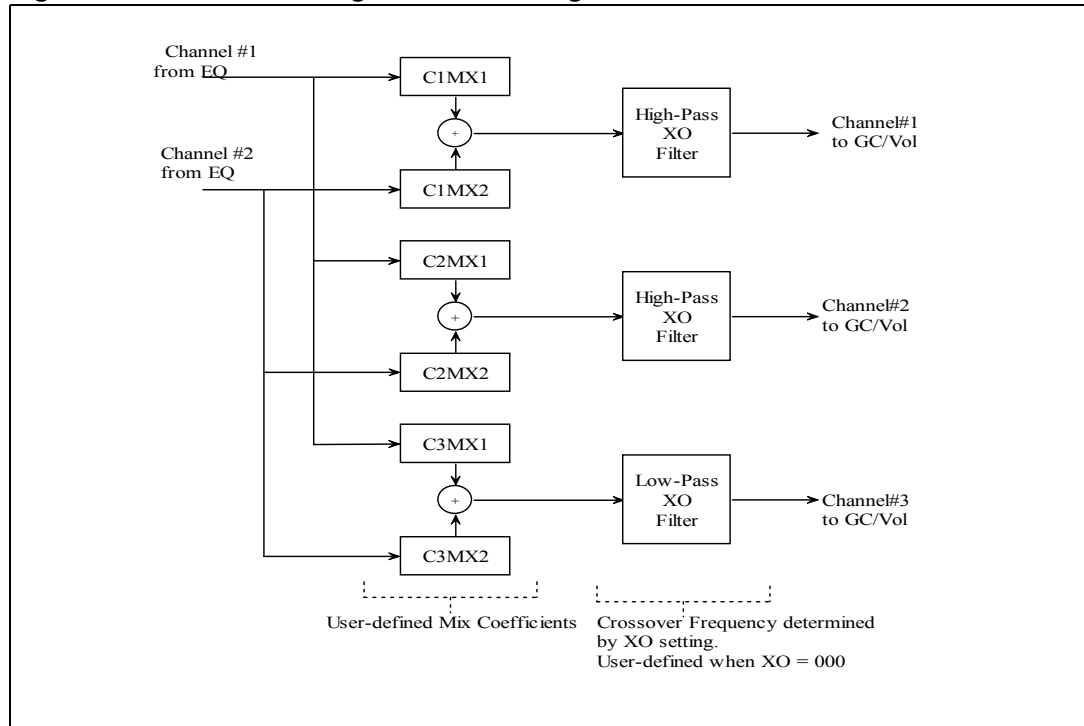
### 8.3 Postscale

The STA326 provides one additional multiplication after the last interpolation stage and before the distortion compensation on each channel. This is a 24-bit signed fractional multiplier. The scale factor for this multiplier is loaded into RAM using the same I<sup>2</sup>C registers as the biquad coefficients and the mix. All channels can use the same settings as channel 1 by setting the postscale link bit.

### 8.4 Mix/bass management

The STA326 provides a post EQ mixing block per channel. Each channel has 2 mixing coefficients, which are each 24-bit signed fractional multipliers, that correspond to the 2 channels of input to the mixing block. These coefficients are accessible via the user controlled coefficient RAM described below. The mix coefficients are expressed as 24-bit signed; fractional numbers in the range +1.0 (8388607) to -1.0 (-8388608) are used to provide three channels of output from two channels of filtered input.

**Figure 19. Mix/bass management block diagram**



After a mix is achieved, STA326 also provides the capability to implement crossover filters on all channels corresponding to 2.1 bass management solution. Channels 1 and 2 use a first-order high-pass filter and channel 3 uses a second-order low-pass filter corresponding to the setting of the XO bits of I<sup>2</sup>C register 0x0C. If XO = 000, user specified crossover filters are used.

By default these coefficients correspond to pass-through. However, the user can write these coefficients in a similar way as the EQ biquads. When user-defined setting is selected, the user can only write 2nd order crossover filters. This output is then passed on to the volume/limiter block.

## 8.5 Calculating 24-bit signed fractional numbers from a dB value

The prescale, mixing, and postscale functions of the STA326 use 24-bit signed fractional multipliers to attenuate signals. These attenuations can also invert the phase and therefore range in value from -1 to +1. It is possible to calculate the coefficient to utilize for a given negative dB value (attenuation) via the equations below.

- Non-inverting phase numbers 0 to +1:  
Coefficient =  $\text{round}(8388607 * 10^{(\text{dB} / 20)})$
- Inverting phase numbers 0 to -1:  
Coefficient =  $16777216 - \text{round}(8388607 * 10^{(\text{dB} / 20)})$

As can be seen by the preceding equations, the value for positive phase 0 dB is 0x7FFFFFFF and the value for negative phase 0 dB is 0x800000.

## 8.6 User defined coefficient RAM

### 8.6.1 Coefficient address register 1 (addr 0x16)

D7	D6	D5	D4	D3	D2	D1	D0
CFA7	CFA6	CFA5	CFA4	CFA3	CFA2	CFA1	CFA0
0	0	0	0	0	0	0	0

### 8.6.2 Coefficient b1data register bits 23:16 (addr 0x17)

D7	D6	D5	D4	D3	D2	D1	D0
C1B23	C1B22	C1B21	C1B20	C1B19	C1B18	C1B17	C1B16
0	0	0	0	0	0	0	0

### 8.6.3 Coefficient b1data register bits 15:8 (addr 0x18)

D7	D6	D5	D4	D3	D2	D1	D0
C1B15	C1B14	C1B13	C1B12	C1B11	C1B10	C1B9	C1B8
0	0	0	0	0	0	0	0

### 8.6.4 Coefficient b1data register bits 7:0 (addr 0x19)

D7	D6	D5	D4	D3	D2	D1	D0
C1B7	C1B6	C1B5	C1B4	C1B3	C1B2	C1B1	C1B0
0	0	0	0	0	0	0	0

### 8.6.5 Coefficient b2 data register bits 23:16 (addr 0x1A)

D7	D6	D5	D4	D3	D2	D1	D0
C2B23	C2B22	C2B21	C2B20	C2B19	C2B18	C2B17	C2B16
0	0	0	0	0	0	0	0

**8.6.6 Coefficient b2 data register bits 15:8 (addr 0x1B)**

D7	D6	D5	D4	D3	D2	D1	D0
C2B15	C2B14	C2B13	C2B12	C2B11	C2B10	C2B9	C2B8
0	0	0	0	0	0	0	0

**8.6.7 Coefficient b2 data register bits 7:0 (addr 0x1C)**

D7	D6	D5	D4	D3	D2	D1	D0
C2B7	C2B6	C2B5	C2B4	C2B3	C2B2	C2B1	C2B0
0	0	0	0	0	0	0	0

**8.6.8 Coefficient a1 data register bits 23:16 (addr 0x1D)**

D7	D6	D5	D4	D3	D2	D1	D0
C1B23	C1B22	C1B21	C1B20	C1B19	C1B18	C1B17	C1B16
0	0	0	0	0	0	0	0

**8.6.9 Coefficient a1 data register bits 15:8 (addr 0x1E)**

D7	D6	D5	D4	D3	D2	D1	D0
C3B15	C3B14	C3B13	C3B12	C3B11	C3B10	C3B9	C3B8
0	0	0	0	0	0	0	0

**8.6.10 Coefficient a1 data register bits 7:0 (addr 0x1F)**

D7	D6	D5	D4	D3	D2	D1	D0
C3B7	C3B6	C3B5	C3B4	C3B3	C3B2	C3B1	C3B0
0	0	0	0	0	0	0	0

**8.6.11 Coefficient a2 data register bits 23:16 (addr 0x20)**

D7	D6	D5	D4	D3	D2	D1	D0
C4B23	C4B22	C4B21	C4B20	C4B19	C4B18	C4B17	C4B16
0	0	0	0	0	0	0	0

**8.6.12 Coefficient a2 data register bits 15:8 (addr 0x21)**

D7	D6	D5	D4	D3	D2	D1	D0
C4B15	C4B14	C4B13	C4B12	C4B11	C4B10	C4B9	C4B8
0	0	0	0	0	0	0	0

**8.6.13 Coefficient a2 data register bits 7:0 (addr 0x22)**

D7	D6	D5	D4	D3	D2	D1	D0
C4B7	C4B6	C4B5	C4B4	C4B3	C4B2	C4B1	C4B0
0	0	0	0	0	0	0	0



**8.6.14 Coefficient b0 data register bits 23:16 (addr 0x23)**

D7	D6	D5	D4	D3	D2	D1	D0
C5B23	C5B22	C5B21	C5B20	C5B19	C5B18	C5B17	C5B16
0	0	0	0	0	0	0	0

**8.6.15 Coefficient b0 data register bits 15:8 (addr 0x24)**

D7	D6	D5	D4	D3	D2	D1	D0
C5B15	C5B14	C5B13	C5B12	C5B11	C5B10	C5B9	C5B8
0	0	0	0	0	0	0	0

**8.6.16 Coefficient b0 data register bits 7:0 (addr 0x25)**

D7	D6	D5	D4	D3	D2	D1	D0
C5B7	C5B6	C5B5	C5B4	C5B3	C5B2	C5B1	C5B0
0	0	0	0	0	0	0	0

**8.6.17 Coefficient write control register (addr 0x26)**

D7	D6	D5	D4	D3	D2	D1	D0
Reserved	Reserved	Reserved	Reserved	RA	R1	WA	W1
0	0	0	0	0	0	0	0

Coefficients for EQ, mix and scaling are handled internally in the STA326 via RAM. Access to this RAM is available to the user via an I<sup>2</sup>C register interface. A collection of I<sup>2</sup>C registers are dedicated to this function. First register contains the coefficient base address, five sets of three registers store the values of the 24-bit coefficients to be written or that were read, and one contains bits used to control the read or write of the coefficient (s) to RAM. The following are instructions for reading and writing coefficients.

## 8.7 Reading a coefficient from RAM

- write 8 bits of address to I<sup>2</sup>C register 0x16
- write 1 to bit R1 (D2) of I<sup>2</sup>C register 0x26
- read top 8 bits of coefficient in I<sup>2</sup>C address 0x17
- read middle 8 bits of coefficient in I<sup>2</sup>C address 0x18
- read bottom 8 bits of coefficient in I<sup>2</sup>C address 0x19

## 8.8 Reading a set of coefficients from RAM

- write 8 bits of address to I<sup>2</sup>C register 0x16
- write 1 to bit RA (D3) of I<sup>2</sup>C register 0x26
- read top 8 bits of coefficient in I<sup>2</sup>C address 0x17
- read middle 8 bits of coefficient in I<sup>2</sup>C address 0x18
- read bottom 8 bits of coefficient in I<sup>2</sup>C address 0x19
- read top 8 bits of coefficient b2 in I<sup>2</sup>C address 0x1A
- read middle 8 bits of coefficient b2 in I<sup>2</sup>C address 0x1B
- read bottom 8 bits of coefficient b2 in I<sup>2</sup>C address 0x1C
- read top 8 bits of coefficient a1 in I<sup>2</sup>C address 0x1D
- read middle 8 bits of coefficient a1 in I<sup>2</sup>C address 0x1E
- read bottom 8 bits of coefficient a1 in I<sup>2</sup>C address 0x1F
- read top 8 bits of coefficient a2 in I<sup>2</sup>C address 0x20
- read middle 8 bits of coefficient a2 in I<sup>2</sup>C address 0x21
- read bottom 8 bits of coefficient a2 in I<sup>2</sup>C address 0x22
- read top 8 bits of coefficient b0 in I<sup>2</sup>C address 0x23
- read middle 8 bits of coefficient b0 in I<sup>2</sup>C address 0x24
- read bottom 8 bits of coefficient b0 in I<sup>2</sup>C address 0x25

## 8.9 Writing a single coefficient to RAM

- write 8 bits of address to I<sup>2</sup>C register 0x16
- write top 8 bits of coefficient in I<sup>2</sup>C address 0x17
- write middle 8 bits of coefficient in I<sup>2</sup>C address 0x18
- write bottom 8 bits of coefficient in I<sup>2</sup>C address 0x19
- write 1 to W1 bit in I<sup>2</sup>C address 0x26

## 8.10 Writing a set of coefficients to RAM

- write 8 bits of starting address to I<sup>2</sup>C register 0x16
- write top 8 bits of coefficient b1 in I<sup>2</sup>C address 0x17
- write middle 8 bits of coefficient b1 in I<sup>2</sup>C address 0x18
- write bottom 8 bits of coefficient b1 in I<sup>2</sup>C address 0x19
- write top 8 bits of coefficient b2 in I<sup>2</sup>C address 0x1A
- write middle 8 bits of coefficient b2 in I<sup>2</sup>C address 0x1B
- write bottom 8 bits of coefficient b2 in I<sup>2</sup>C address 0x1C
- write top 8 bits of coefficient a1 in I<sup>2</sup>C address 0x1D
- write middle 8 bits of coefficient a1 in I<sup>2</sup>C address 0x1E
- write bottom 8 bits of coefficient a1 in I<sup>2</sup>C address 0x1F
- write top 8 bits of coefficient a2 in I<sup>2</sup>C address 0x20
- write middle 8 bits of coefficient a2 in I<sup>2</sup>C address 0x21
- write bottom 8 bits of coefficient a2 in I<sup>2</sup>C address 0x22
- write top 8 bits of coefficient b0 in I<sup>2</sup>C address 0x23
- write middle 8 bits of coefficient b0 in I<sup>2</sup>C address 0x24
- write bottom 8 bits of coefficient b0 in I<sup>2</sup>C address 0x25
- write 1 to WA bit in I<sup>2</sup>C address 0x26

The mechanism for writing a set of coefficients to RAM provides a method of updating the five coefficients corresponding to a given biquad (filter) simultaneously to avoid possible unpleasant acoustic side-effects. When using this technique, the 8-bit address would specify the address of the biquad b1 coefficient (for example 0, 5, 10, 15, ..., 45 decimal), and the STA326 will generate the RAM addresses as offsets from this base value to write the complete set of coefficient data.

**Table 63. RAM block for biquads, mixing, and scaling**

Index (decimal)	Index (Hex)	Description	Coefficient	Default
0	0x00	Channel 1 - Biquad 1	C1H10 (b1/2)	0x000000
1	0x01		C1H11 (b2)	0x000000
2	0x02		C1H12 (a1/2)	0x000000
3	0x03		C1H13 (a2)	0x000000
4	0x04		C1H14 (b0/2)	0x400000
5	0x05	Channel 1 - Biquad 2	C1H20	0x000000
...	...	...	...	...
19	0x13	Channel 1 - Biquad 4	C1H44	0x400000
20	0x14	Channel 2 - Biquad 1	C2H10	0x000000
21	0x15		C2H11	0x000000
...	...	...	...	...
39	0x27	Channel 2 - Biquad 4	C2H44	0x400000

Table 63. RAM block for biquads, mixing, and scaling (continued)

Index (decimal)	Index (Hex)	Description	Coefficient	Default
40	0x28	High-pass 2 <sup>nd</sup> order filter for XO = 000	C12H0 (b1/2)	0x000000
41	0x29		C12H1 (b2)	0x000000
42	0x2A		C12H2 (a1/2)	0x000000
43	0x2B		C12H3 (a2)	0x000000
44	0x2C		C12H4 (b0/2)	0x400000
45	0x2D	Low-pass 2 <sup>nd</sup> order filter for XO = 000	C12L0 (b1/2)	0x000000
46	0x2E		C12L1 (b2)	0x000000
47	0x2F		C12L2 (a1/2)	0x000000
48	0x30		C12L3 (a2)	0x000000
49	0x31		C12L4 (b0/2)	0x400000
50	0x32	Channel 1 - Prescale	C1PreS	0x7FFFFFFF
51	0x33	Channel 2 - Prescale	C2PreS	0x7FFFFFFF
52	0x34	Channel 1 - Postscale	C1PstS	0x7FFFFFFF
53	0x35	Channel 2 - Postscale	C2PstS	0x7FFFFFFF
54	0x36	Channel 3 - Postscale	C3PstS	0x7FFFFFFF
55	0x37	Thermal warning - Postscale	TWPstS	0x5A9DF7
56	0x38	Channel 1 - Mix 1	C1MX1	0x7FFFFFFF
57	0x39	Channel 1 - Mix 2	C1MX2	0x000000
58	0x3A	Channel 2 - Mix 1	C2MX1	0x000000
59	0x3B	Channel 2 - Mix 2	C2MX2	0x7FFFFFFF
60	0x3C	Channel 3 - Mix 1	C3MX1	0x400000
61	0x3D	Channel 3 - Mix 2	C3MX2	0x400000
62	0x3E	Unused	-	-
63	0x3F	Unused	-	-

## 8.11 Variable max power correction (addr 0x27, 0x28)

D7	D6	D5	D4	D3	D2	D1	D0
MPCC15	MPCC14	MPCC13	MPCC12	MPCC11	MPCC10	MPCC9	MPCC8
0	0	1	0	1	1	0	1
MPCC7	MPCC6	MPCC5	MPCC4	MPCC3	MPCC2	MPCC1	MPCC0
1	1	0	0	0	0	0	0

MPCC bits determine the 16 MSBs of the MPC compensation coefficient. This coefficient is used in place of the default coefficient when MPCV = 1.

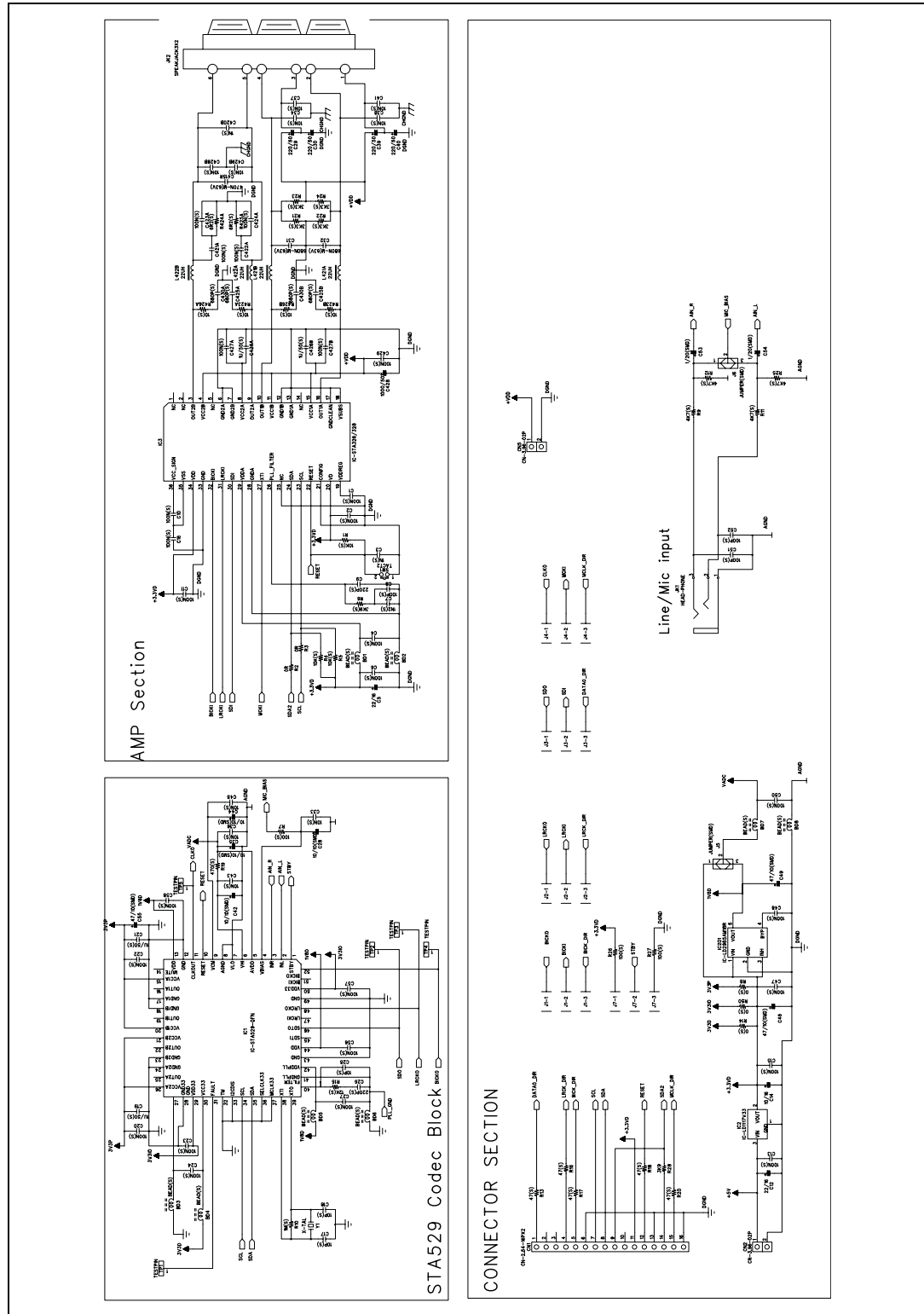
## 8.12 Fault detect recovery (addr 0x2B, 0x2C)

D7	D6	D5	D4	D3	D2	D1	D0
FRDC15	FRDC14	FRDC13	FRDC12	FRDC11	FRDC10	FRDC9	FRDC8
0	0	0	0	0	0	0	0
FRDC7	FRDC6	FRDC5	FRDC4	FRDC3	FRDC2	FRDC1	FRDC0
0	0	0	0	1	1	0	0

FRDC bits specify the 16-bit fault detect recovery time delay. When FAULT is asserted, the output TRISTATE will be immediately asserted low and held low for the time period specified by this constant. A constant value of 0x0001 in this register is approximately 0.083 ms. The default value of 0x000C specifies approximately 1 ms.

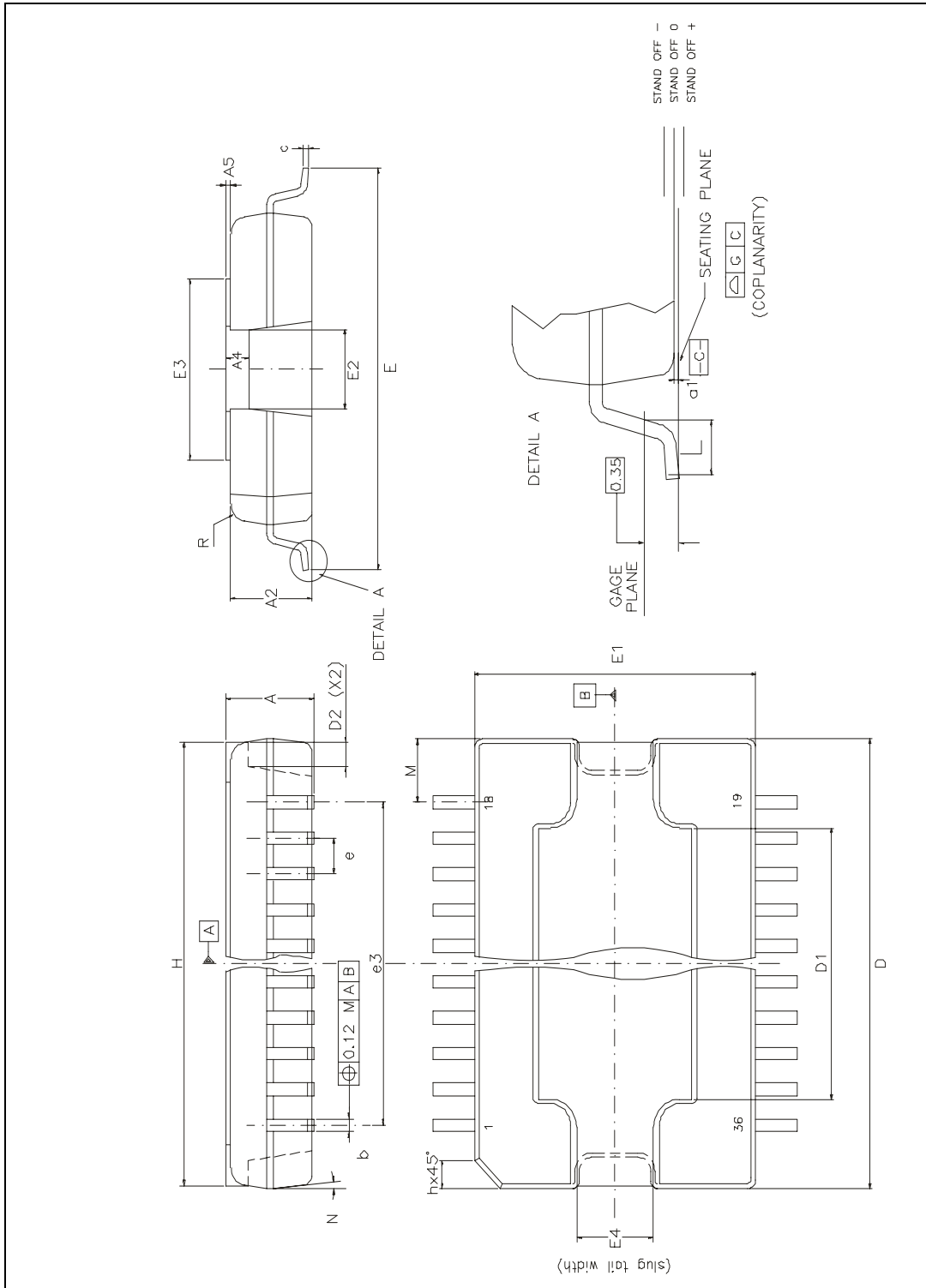
# 9 Applications

Figure 20. Application circuit for 2.1/2.0 configurable solution



# 10 Package mechanical data

Figure 21. PowerSO-36 EPU outline drawing



**Table 64. PowerSO-36 EPU dimensions**

Symbol	mm			inch		
	Min	Typ	Max	Min	Typ	Max
A	3.25	-	3.43	0.128	-	0.135
A2	3.10	-	3.20	0.122	-	0.126
A4	0.80	-	1.00	0.031	-	0.039
A5	-	0.20	-	-	0.008	-
a1	0.03	-	-0.04	0.001	-	-0.002
b	0.22	-	0.38	0.009	-	0.015
c	0.23	-	0.32	0.009	-	0.013
D	15.80	-	16.00	0.622	-	0.630
D1	9.40	-	9.80	0.370	-	0.386
D2	-	1.00	-	-	0.039	-
E	13.90	-	14.50	0.547	-	0.571
E1	10.90	-	11.10	0.429	-	0.437
E2	-	-	2.90	-	-	0.114
E3	5.80	-	6.20	0.228	-	0.244
E4	2.90	-	3.20	0.114	-	0.126
e	-	0.65	-	-	0.026	-
e3	-	11.05	-	-	0.435	-
G	0	-	0.08	0	-	0.003
H	15.50	-	15.90	0.610	-	0.626
h	-	-	1.10	-	-	0.043
L	0.80	-	1.10	0.031	-	0.043
M	2.25	-	2.60	0.089	-	0.102
N	-	-	10 degrees	-	-	10 degrees
R	-	0.6	-	-	0.024	-
s	-	-	8 degrees	-	-	8 degrees

In order to meet environmental requirements, ST offers these devices in different grades of ECOPACK® packages, depending on their level of environmental compliance. ECOPACK® specifications, grade definitions and product status are available at: [www.st.com](http://www.st.com). ECOPACK® is an ST trademark.



# 11 Revision history

**Table 65. Document revision history**

Date	Revision	Changes
Jul-2005	1	Initial release
May-2006	2	Changed from preliminary data to maturity.
03-Nov-2010	3	Datasheet remade Updated Features on cover page Updated <a href="#">Chapter 1: Description on page 5</a> Updated <a href="#">Chapter 2: Pin out on page 7</a> Updated <a href="#">Chapter 3: Electrical specifications on page 10</a> Added <a href="#">Chapter 5: Characterization curves on page 14</a> Updated <a href="#">Table 9: Register summary on page 19</a> with bit names used in register description Updated reset values in register bit map tables in <a href="#">Chapter 7: Register description on page 19</a> Updated <a href="#">Chapter 9: Applications on page 54</a> Updated <a href="#">Chapter 10: Package mechanical data on page 55</a>
27-Apr-2011	4	Added CONFIG pin description to <a href="#">Section 2.3: Pin description on page 9</a> Added <a href="#">Section 4: Power supply and control sequencing on page 13</a>

**Please Read Carefully:**

Information in this document is provided solely in connection with ST products. STMicroelectronics NV and its subsidiaries ("ST") reserve the right to make changes, corrections, modifications or improvements, to this document, and the products and services described herein at any time, without notice.

All ST products are sold pursuant to ST's terms and conditions of sale.

Purchasers are solely responsible for the choice, selection and use of the ST products and services described herein, and ST assumes no liability whatsoever relating to the choice, selection or use of the ST products and services described herein.

No license, express or implied, by estoppel or otherwise, to any intellectual property rights is granted under this document. If any part of this document refers to any third party products or services it shall not be deemed a license grant by ST for the use of such third party products or services, or any intellectual property contained therein or considered as a warranty covering the use in any manner whatsoever of such third party products or services or any intellectual property contained therein.

**UNLESS OTHERWISE SET FORTH IN ST'S TERMS AND CONDITIONS OF SALE ST DISCLAIMS ANY EXPRESS OR IMPLIED WARRANTY WITH RESPECT TO THE USE AND/OR SALE OF ST PRODUCTS INCLUDING WITHOUT LIMITATION IMPLIED WARRANTIES OF MERCHANTABILITY, FITNESS FOR A PARTICULAR PURPOSE (AND THEIR EQUIVALENTS UNDER THE LAWS OF ANY JURISDICTION), OR INFRINGEMENT OF ANY PATENT, COPYRIGHT OR OTHER INTELLECTUAL PROPERTY RIGHT.**

**UNLESS EXPRESSLY APPROVED IN WRITING BY AN AUTHORIZED ST REPRESENTATIVE, ST PRODUCTS ARE NOT RECOMMENDED, AUTHORIZED OR WARRANTED FOR USE IN MILITARY, AIR CRAFT, SPACE, LIFE SAVING, OR LIFE SUSTAINING APPLICATIONS, NOR IN PRODUCTS OR SYSTEMS WHERE FAILURE OR MALFUNCTION MAY RESULT IN PERSONAL INJURY, DEATH, OR SEVERE PROPERTY OR ENVIRONMENTAL DAMAGE. ST PRODUCTS WHICH ARE NOT SPECIFIED AS "AUTOMOTIVE GRADE" MAY ONLY BE USED IN AUTOMOTIVE APPLICATIONS AT USER'S OWN RISK.**

Resale of ST products with provisions different from the statements and/or technical features set forth in this document shall immediately void any warranty granted by ST for the ST product or service described herein and shall not create or extend in any manner whatsoever, any liability of ST.

ST and the ST logo are trademarks or registered trademarks of ST in various countries.

Information in this document supersedes and replaces all information previously supplied.

The ST logo is a registered trademark of STMicroelectronics. All other names are the property of their respective owners.

© 2011 STMicroelectronics - All rights reserved

STMicroelectronics group of companies

Australia - Belgium - Brazil - Canada - China - Czech Republic - Finland - France - Germany - Hong Kong - India - Israel - Italy - Japan - Malaysia - Malta - Morocco - Philippines - Singapore - Spain - Sweden - Switzerland - United Kingdom - United States of America

[www.st.com](http://www.st.com)