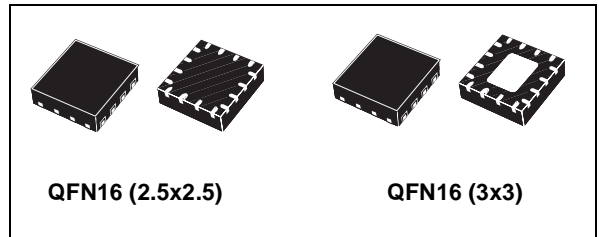


LOW VOLTAGE 0.5Ω MAX QUAD SPDT SWITCH WITH BREAK-BEFORE-MAKE FEATURE

- HIGH SPEED:
 $t_{PD} = 1.5ns$ (TYP.) at $V_{CC} = 3.0V$
 $t_{PD} = 1.5ns$ (TYP.) at $V_{CC} = 2.3V$
- ULTRA LOW POWER DISSIPATION:
 $I_{CC} = 0.2\mu A$ (MAX.) at $T_A = 85^\circ C$
- LOW "ON" RESISTANCE $V_{IN}=0V$:
 $R_{ON} = 0.5\Omega$ (MAX. $T_A = 25^\circ C$) at $V_{CC} = 2.7V$
 $R_{ON} = 0.7\Omega$ (MAX. $T_A = 25^\circ C$) at $V_{CC} = 2.3V$
 $R_{ON} = 1.5\Omega$ (MAX. $T_A = 25^\circ C$) at $V_{CC} = 1.8V$
- WIDE OPERATING VOLTAGE RANGE:
 V_{CC} (OPR) = 1.65V to 4.3V SINGLE SUPPLY
- 4.3V TOLERANT AND 1.8V COMPATIBLE THRESHOLD ON DIGITAL CONTROL INPUT at $V_{CC} = 2.3$ to $3.0V$
- LATCH-UP PERFORMANCE EXCEEDS 300mA (JESD 17)



Order Codes

| PACKAGE | T & R |
|-----------------|-------------|
| QFN16 (2.5x2.5) | STG3699AUTR |
| QFN16 (3x3) | STG3699AQTR |

DESCRIPTION

The STG3699A is a high-speed CMOS low voltage quad analog S.P.D.T. (Single Pole/Dual Throw) switch or 2:1 Multiplexer/Demultiplexer Switch fabricated in silicon gate C²MOS technology. It is designed to operate from 1.65V to 4.3V, making this device ideal for portable applications.

It offers very low ON-Resistance ($R_{ON} < 0.5\Omega$) at $V_{CC} = 3.0V$. The n_{IN} inputs are provided to control the switches. The switches $nS1$ are ON (they are connected to common Ports D_n) when the n_{IN} input is held high and OFF (high impedance state

exists between the two ports) when n_{IN} is held low; the switches $nS2$ are ON (they are connected to common Ports D_n) when the n_{IN} input is held low and OFF (high impedance state exists between the two ports) when IN is held high. Additional key features are fast switching speed, Break-Before-Make delay time and ultra low power consumption. All inputs and outputs are equipped with protection circuits against static discharge, giving them ESD immunity and transient excess voltage. It is available in the commercial temperature range (-40 to 125°C) in QFN16 3x3mm, 2.5x2.5mm.

Table 1: Pin Connection (top through view)

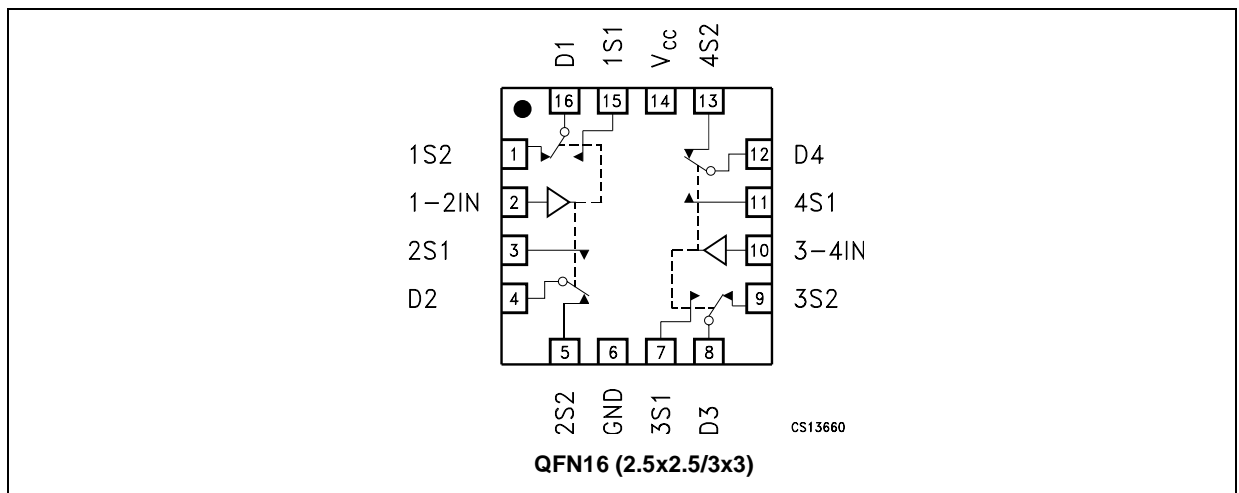


Figure 2: Input Equivalent Circuit

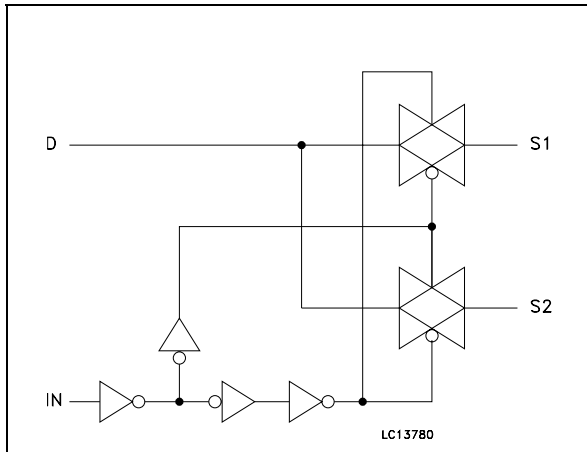


Table 2: Pin Description

| PIN ⁽¹⁾ N° | SYMBOL | NAME AND FUNCTION |
|---------------------------|------------------------|-------------------------|
| 15, 3, 7, 11, 1, 5, 9, 13 | 1S1 to 4S1, 1S2 to 4S2 | Independent Channels |
| 16, 4, 8, 12 | D1 to D4 | Common Channels |
| 2, 10 | 1-2IN, 3-4IN | Controls |
| 14 | V _{CC} | Positive Supply Voltage |
| 6 | GND | Ground (0V) |

1. Exposed pad must be soldered to a floating plane. Do NOT connect to power or ground.

Table 3: Truth Table

| 1-2IN | 3-4IN | ON Switches |
|-------|-------|----------------|
| L | - | 1S2-D1, 2S2-D2 |
| H | - | 1S1-D1, 2S1-D2 |
| - | L | 3S2-D3, 4S2-D4 |
| - | H | 3S1-D3, 4S1-D4 |

Table 4: Absolute Maximum Ratings

| Symbol | Parameter | Value | Unit |
|-------------------------------------|--|-------------------------------|------|
| V _{CC} | Supply Voltage | -0.5 to 5.5 | V |
| V _I | DC Input Voltage | -0.5 to V _{CC} + 0.5 | V |
| V _{IC} | DC Control Input Voltage | -0.5 to 5.5 | V |
| V _O | DC Output Voltage | -0.5 to V _{CC} + 0.5 | V |
| I _{IKC} | DC Input Diode Current on control pin (V _{IN} < 0V) | - 50 | mA |
| I _{IK} | DC Input Diode Current (V _{IN} < 0V) | ± 50 | mA |
| I _{OK} | DC Output Diode Current | ± 20 | mA |
| I _O | DC Output Current | ± 300 | mA |
| I _{OP} | DC Output Current Peak (pulse at 1ms, 10% duty cycle) | ± 500 | mA |
| I _{CC} or I _{GND} | DC V _{CC} or Ground Current | ± 100 | mA |
| P _D | Power Dissipation at T _a = 70°C (1) | 1120 | mW |
| T _{stg} | Storage Temperature | -65 to 150 | °C |
| T _L | Lead Temperature (10 sec) | 300 | °C |

Absolute Maximum Ratings are those values beyond which damage to the device may occur. Functional operation under these conditions not implied.

(1) Derate above 70°C: by 18.5mW/°C.

Table 5: Recommended Operating Conditions

| Symbol | Parameter | Value | Unit |
|-----------------|--|---------------------------------|---------|
| V _{CC} | Supply Voltage (note 1) | 1.65 to 4.3 | V |
| V _I | Input Voltage | 0 to V _{CC} | V |
| V _{IC} | Control Input Voltage | 0 to 4.3 | V |
| V _O | Output Voltage | 0 to V _{CC} | V |
| T _{op} | Operating Temperature | -55 to 125 | °C |
| dt/dv | Input Rise and Fall Time Control Input | V _{CC} = 1.65V to 2.7V | 0 to 20 |
| | | V _{CC} = 3.0V to 4.3V | 0 to 10 |

1) Truth Table guaranteed: 1.2V to 4.3V.

Table 6: DC Specifications

| Symbol | Parameter | Test Conditions | | Value | | | | | | Unit | |
|-------------------|--|------------------------|--|-----------------------|------|-------|---------------------|------|---------------------|------|------|
| | | V _{CC} (V) | | T _A = 25°C | | | -40 to 85°C | | -55 to 125°C | | |
| | | | | Min. | Typ. | Max. | Min. | Max. | Min. | | Max. |
| V _{IH} | High Level Input Voltage | 1.65-1.95 | | 0.65V _{CC} | | | 0.65V _{CC} | | 0.65V _{CC} | | V |
| | | 2.3-2.5 | | 1.2 | | | 1.2 | | 1.2 | | |
| | | 2.7-3.0 | | 1.3 | | | 1.3 | | 1.3 | | |
| | | 3.3 | | 1.4 | | | 1.4 | | 1.4 | | |
| | | 3.6 | | 1.5 | | | 1.5 | | 1.5 | | |
| | | 4.3 | | 1.6 | | | 1.6 | | 1.6 | | |
| V _{IL} | Low Level Input Voltage | 1.65-1.95 | | | | 0.25 | | 0.25 | | 0.25 | V |
| | | 2.3-2.5 | | | | 0.25 | | 0.25 | | 0.25 | |
| | | 2.7-3.0 | | | | 0.25 | | 0.25 | | 0.25 | |
| | | 3.3 | | | | 0.30 | | 0.30 | | 0.30 | |
| | | 3.6 | | | | 0.30 | | 0.30 | | 0.30 | |
| | | 4.3 | | | | 0.40 | | 0.40 | | 0.40 | |
| R _{ON} | Switch ON Resistance | 4.3 | V _S =0V to V _{CC} I _S =100mA | | 0.35 | 0.45 | | 0.50 | | | Ω |
| | | 3.0 | | | 0.40 | 0.50 | | 0.60 | | | |
| | | 2.7 | | | 0.40 | 0.50 | | 0.60 | | | |
| | | 2.3 | | | 0.45 | 0.70 | | 0.80 | | | |
| | | 1.8 | | | 0.55 | 1.5 | | 2.0 | | | |
| | | 1.65 | | | 0.65 | 1.5 | | 2.0 | | | |
| ΔR _{ON} | ON Resistance Match between channels (1) | 2.7 | V _S @ R _{ON} Max I _S =100mA | | 0.06 | | | | | | Ω |
| R _{FLAT} | ON Resistance FLATNESS (2) | 4.3 | V _S =0V to V _{CC} I _S =100mA | | 0.15 | 0.20 | | 0.20 | | | Ω |
| | | 3.0 | | | 0.15 | 0.20 | | 0.20 | | | |
| | | 2.7 | | | 0.15 | 0.20 | | 0.20 | | | |
| | | 2.3 | | | 0.20 | 0.25 | | 0.25 | | | |
| | | 1.65 | | | 0.30 | 0.35 | | 0.35 | | | |
| I _{OFF} | OFF State Leakage Current (nSn), (Dn) | 4.3 | V _S =0.3 or 4V | | | ±20 | | ±100 | | | nA |
| I _{IN} | Input Leakage Current | 0 - 4.3 | V _{IN} = 0 to 4.3V | | | ±0.1 | | ±1 | | | μA |
| I _{CC} | Quiescent Supply Current | 1.65-4.3 | V _{IN} =V _{CC} or GND | | | ±0.05 | | ±0.2 | | ±1 | μA |
| I _{CCLV} | Quiescent Supply Current Low Voltage Driving | 4.3 | V _{1-2IN} , V _{3-4IN} = 1.65V | | ±37 | ±50 | | ±100 | | | μA |
| | | | V _{1-2IN} , V _{3-4IN} = 1.80V | | ±33 | ±40 | | ±50 | | | |
| | | | V _{1-2IN} , V _{3-4IN} = 2.60V | | ±12 | ±20 | | ±30 | | | |

Note 1: $\Delta R_{ON} = R_{ON(MAX)} - R_{ON(MIN)}$

Note 2: Flatness is defined as the difference between the maximum and minimum value of on-resistance as measured over the specified analog signal ranges.

Table 7: AC Electrical Characteristics ($C_L = 35\text{pF}$, $R_L = 50\Omega$, $t_r = t_f \leq 5\text{ns}$)

| Symbol | Parameter | Test Condition | | Value | | | | | | Unit | |
|-----------------------|------------------------------|-----------------|--|--------------------------|------|------|-----------------------------|------|------------------------------|------|------|
| | | V_{CC} (V) | | $T_A = 25^\circ\text{C}$ | | | -40 to 85°C | | -55 to 125°C | | |
| | | | | Min. | Typ. | Max. | Min. | Max. | Min. | | Max. |
| t_{PLH} , t_{PHL} | Propagation Delay | 1.65-1.95 | $V_I = \text{OPEN}$ | | 0.45 | | | | | | ns |
| | | 2.3-2.7 | | | 0.40 | | | | | | |
| | | 3.0-3.3 | | | 0.30 | | | | | | |
| | | 3.6-4.3 | | | 0.30 | | | | | | |
| t_{ON} | TURN-ON time | 1.65-1.95 | $V_S = 0.8\text{V}$ | | 120 | | | | | | ns |
| | | 2.3-2.7 | $V_S = 1.5\text{V}$ | | 45 | 55 | | 65 | | | |
| | | 3.0-3.3 | | | 42 | 55 | | 65 | | | |
| | | 3.6-4.3 | | | 40 | 55 | | 65 | | | |
| t_{OFF} | TURN-OFF time | 1.65-1.95 | $V_S = 0.8\text{V}$ | | 22 | | | | | | ns |
| | | 2.3-2.7 | $V_S = 1.5\text{V}$ | | 18 | 30 | | 40 | | | |
| | | 3.0-3.3 | | | 16 | 30 | | 40 | | | |
| | | 3.6-4.3 | | | 15 | 30 | | 40 | | | |
| t_D | Break Before Make Time Delay | 1.65-1.95 | $C_L = 35\text{pF}$ $R_L = 50\Omega$ $V_S = 1.5\text{V}$ | | 10 | 80 | | | | | ns |
| | | 2.3-2.7 | | | 10 | 60 | | | | | |
| | | 3.0-3.3 | | | 10 | 55 | | | | | |
| | | 3.6-4.3 | | | 10 | 50 | | | | | |
| Q | Charge injection | 1.65-1.95 | $C_L = 100\text{pF}$ | | 50 | | | | | | pC |
| | | 2.3-2.7 | $R_L = 1\text{M}\Omega$ | | 40 | | | | | | |
| | | 3.0-3.3 | $V_{GEN} = 0\text{V}$ | | 35 | | | | | | |
| | | 3.6-4.3 | $R_{GEN} = 0\Omega$ | | 35 | | | | | | |

Table 8: Analog Switch Characteristics ($C_L = 5\text{pF}$, $R_L = 50\Omega$, $T_A = 25^\circ\text{C}$)

| Symbol | Parameter | Test Condition | | Value | | | | | | Unit | |
|----------|---|-----------------|--|--------------------------|------|------|-----------------------------|------|------------------------------|------|------|
| | | V_{CC} (V) | | $T_A = 25^\circ\text{C}$ | | | -40 to 85°C | | -55 to 125°C | | |
| | | | | Min. | Typ. | Max. | Min. | Max. | Min. | | Max. |
| OIRR | Off Isolation (1) | 1.65-4.3 | $V_S = 1V_{RMS}$ $f = 100\text{KHz}$ | | -64 | | | | | | dB |
| Xtalk | Crosstalk | 1.65-4.3 | $V_S = 1V_{RMS}$ $f = 100\text{KHz}$ | | -54 | | | | | | dB |
| THD | Total Harmonic Distortion | 2.3-4.3 | $R_L = 600\Omega$ $V_{IN} = 2V_{PP}$ $f = 20\text{Hz}$ to 20kHz | | 0.03 | | | | | | % |
| BW | -3dB Bandwidth | 1.65-4.3 | $R_L = 50\Omega$ | | 50 | | | | | | MHz |
| C_{IN} | Control Pin Input Capacitance | | | | 5 | | | | | | pF |
| C_{Sn} | Sn Port Capacitance | 3.3 | $f = 1\text{MHz}$ | | 30 | | | | | | |
| C_D | D Port Capacitance when Switch is Enabled | 3.3 | $f = 1\text{MHz}$ | | 84 | | | | | | |

Note 1: Off Isolation = $20\text{Log}_{10}(V_D/V_S)$, V_D = output. V_S = input to off switch

Figure 3: ON Resistance

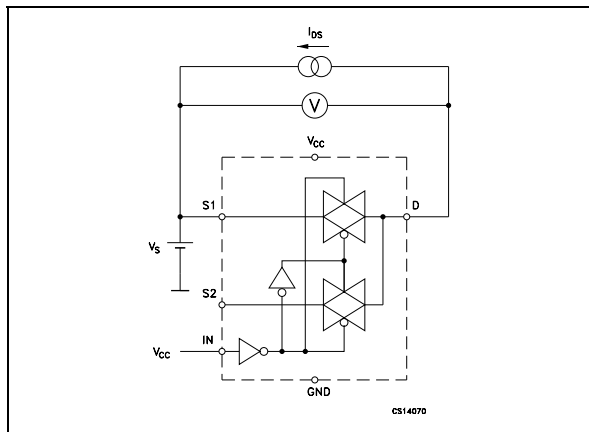


Figure 6: Bandwidth

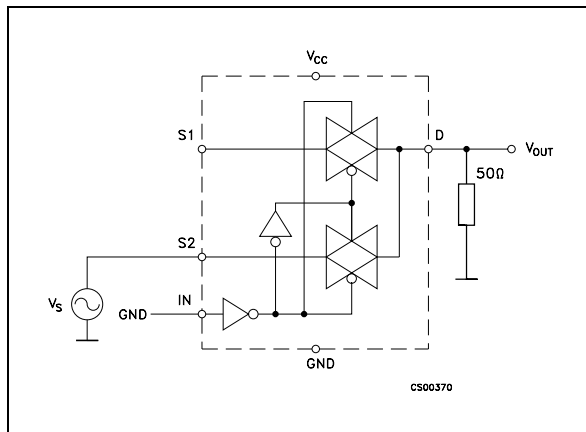


Figure 4: Off Leakage

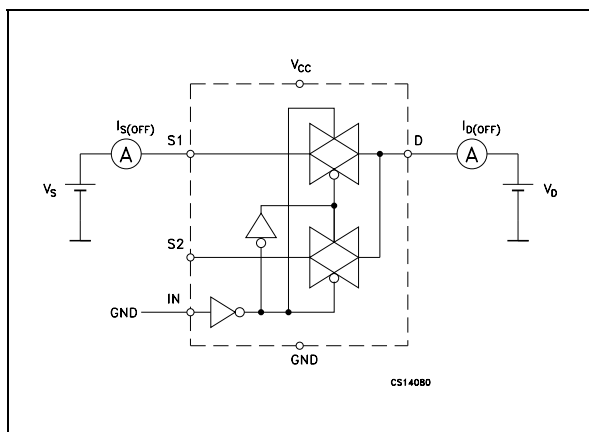


Figure 7: Channel To Channel Crosstalk

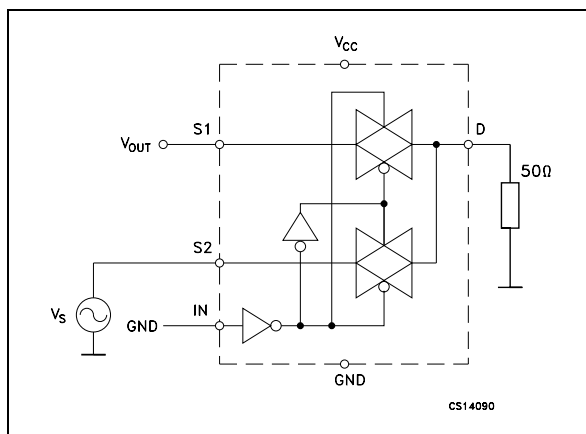


Figure 5: Off Isolation

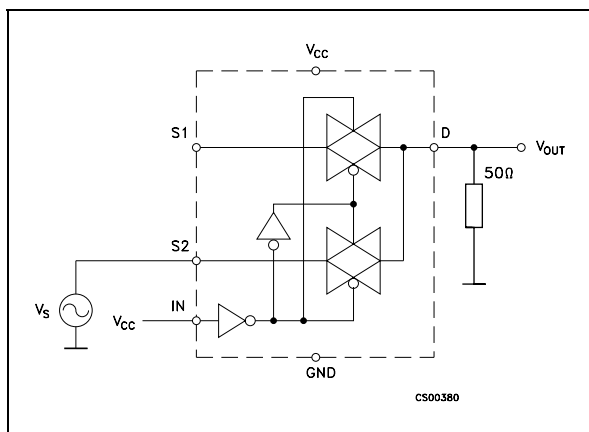
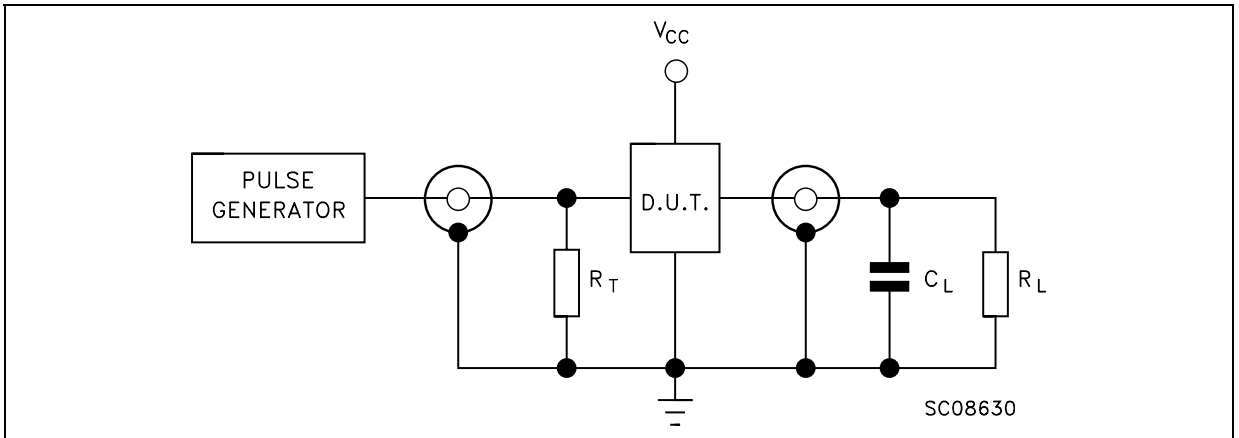


Figure 8: Test Circuit



$C_L = 5/35\text{pF}$ or equivalent (includes jig and probe capacitance)
 $R_L = 50\Omega$ or equivalent
 $R_T = Z_{OUT}$ of pulse generator (typically 50Ω)

Figure 9: Break-before-make Time Delay

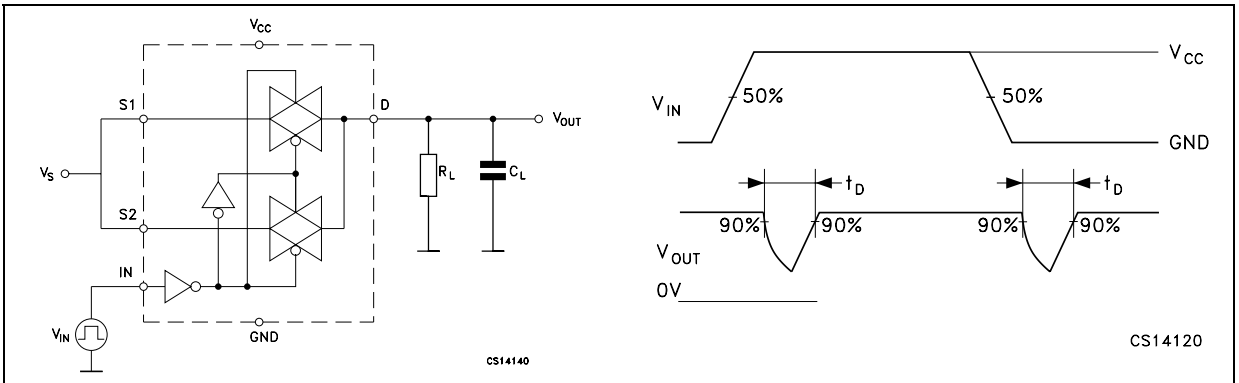


Figure 10: Switching Time and Charge Injection ($V_{GEN}=0V$, $R_{GEN}=0\Omega$, $R_L=1M\Omega$, $C_L=100\text{pF}$)

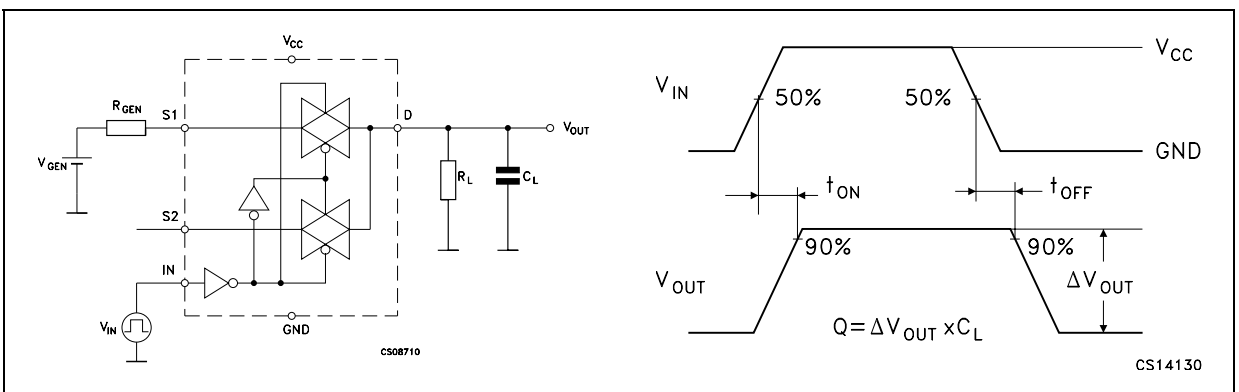
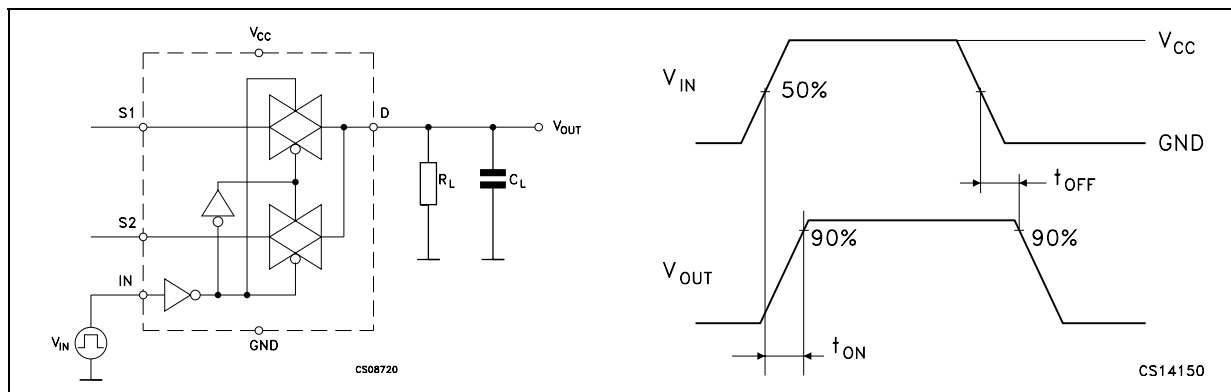


Table 9: Turn On, Turn Off Delay Time

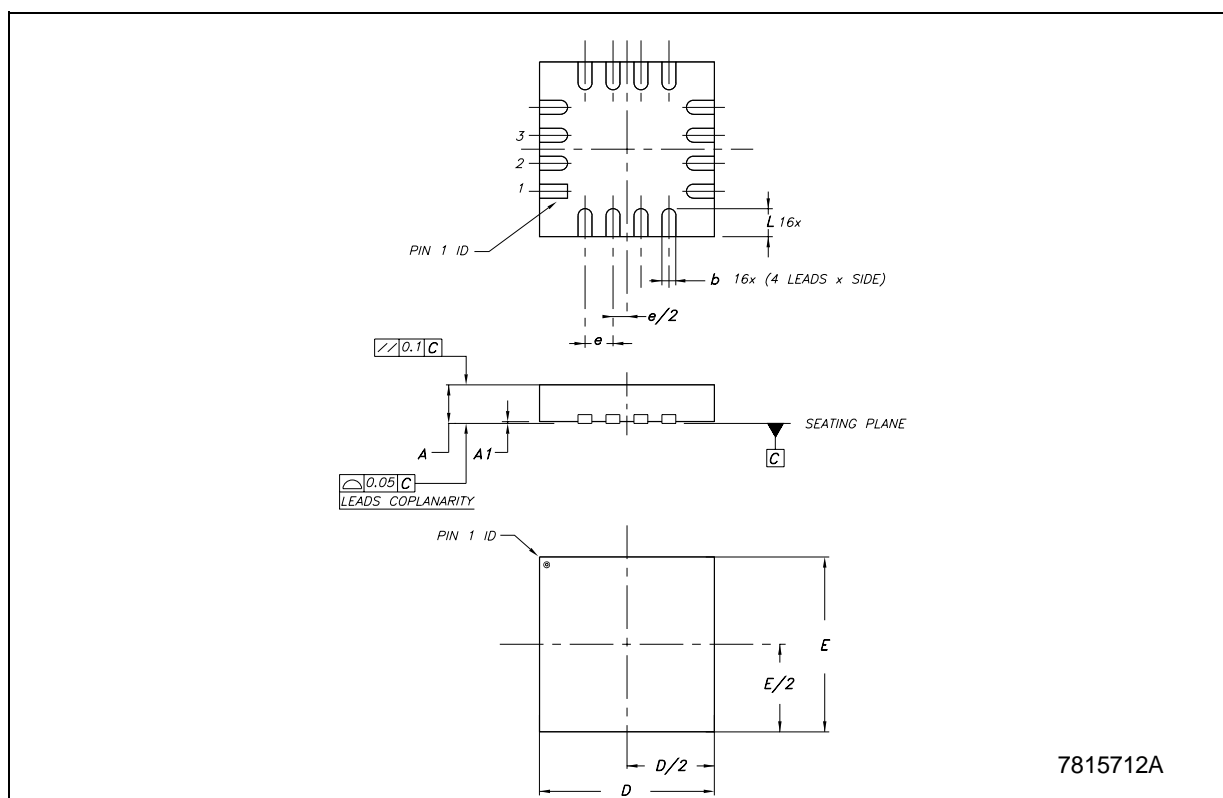


Package Mechanical Data

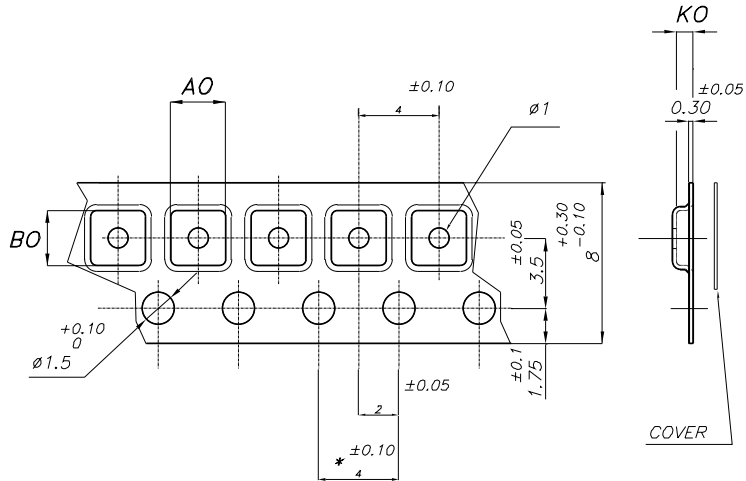
In order to meet environmental requirements, ST offers these devices in ECOPACK® packages. These packages have a Lead-free second level interconnect . The category of second Level Interconnect is marked on the package and on the inner box label, in compliance with JEDEC Standard JESD97. The maximum ratings related to soldering conditions are also marked on the inner box label. ECOPACK is an ST trademark. ECOPACK specifications are available at: www.st.com.

QFN16 (2.5x2.5) MECHANICAL DATA

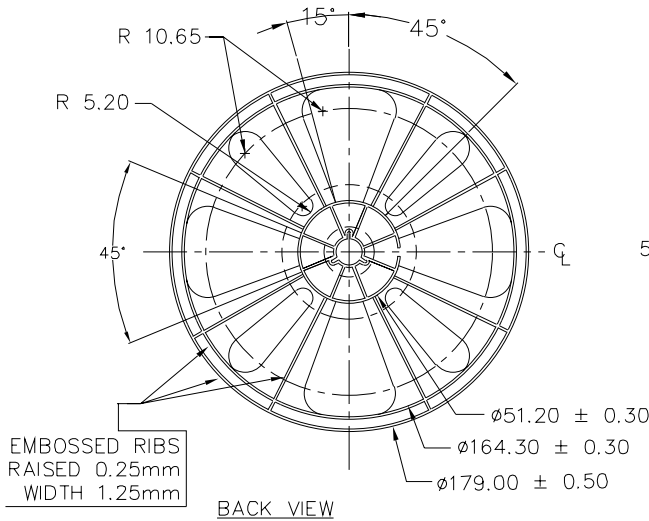
| DIM. | mm. | | | inch | | |
|------|------|------|------|-------|-------|-------|
| | MIN. | TYP. | MAX. | MIN. | TYP. | MAX. |
| A | 0.50 | 0.55 | 0.60 | 0.020 | 0.022 | 0.024 |
| A1 | | 0.02 | 0.05 | | 0.001 | 0.002 |
| b | 0.15 | 0.20 | 0.25 | 0.006 | 0.008 | 0.010 |
| D | 2.40 | 2.50 | 2.60 | 0.094 | 0.098 | 0.102 |
| E | 2.40 | 2.50 | 2.60 | 0.094 | 0.098 | 0.102 |
| e | | 0.40 | | | 0.016 | |
| L | 0.35 | 0.40 | 0.45 | 0.014 | 0.016 | 0.018 |



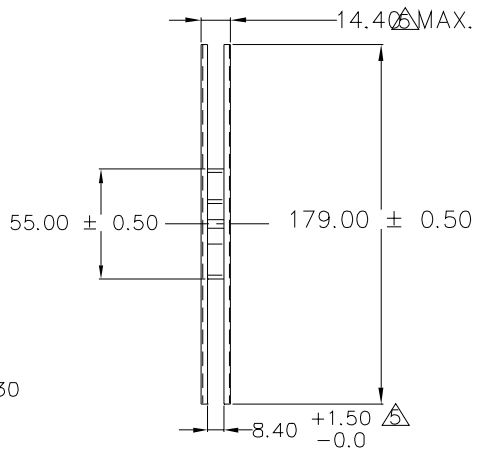
QFN16 (2.5 x 2.5) Tape and Reel



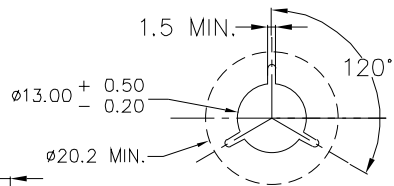
* - 10 SPROCKET HOLE PITCH CUMULATIVE TOLERANCE ± 0.20



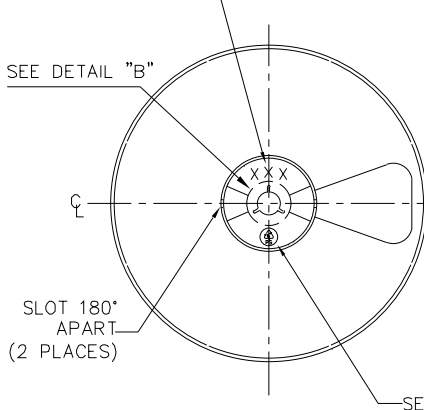
BACK VIEW



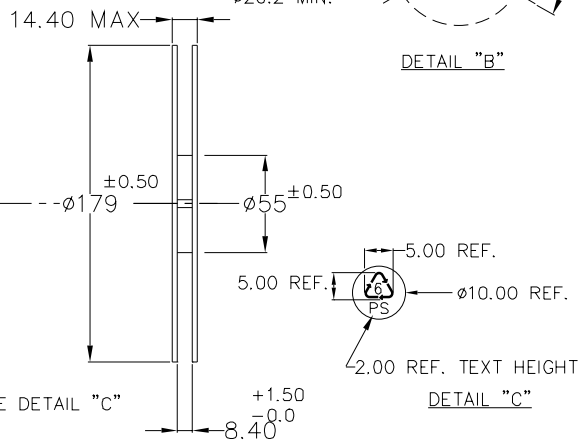
XXX—REPRESENTS SUPPLIER'S
LOGO OR NAME (OPTION)
TEXT HEIGHT: 6.25mm HIGH X
1.6mm WIDE (EMBOSSSED LETTERS)



DETAIL "B"

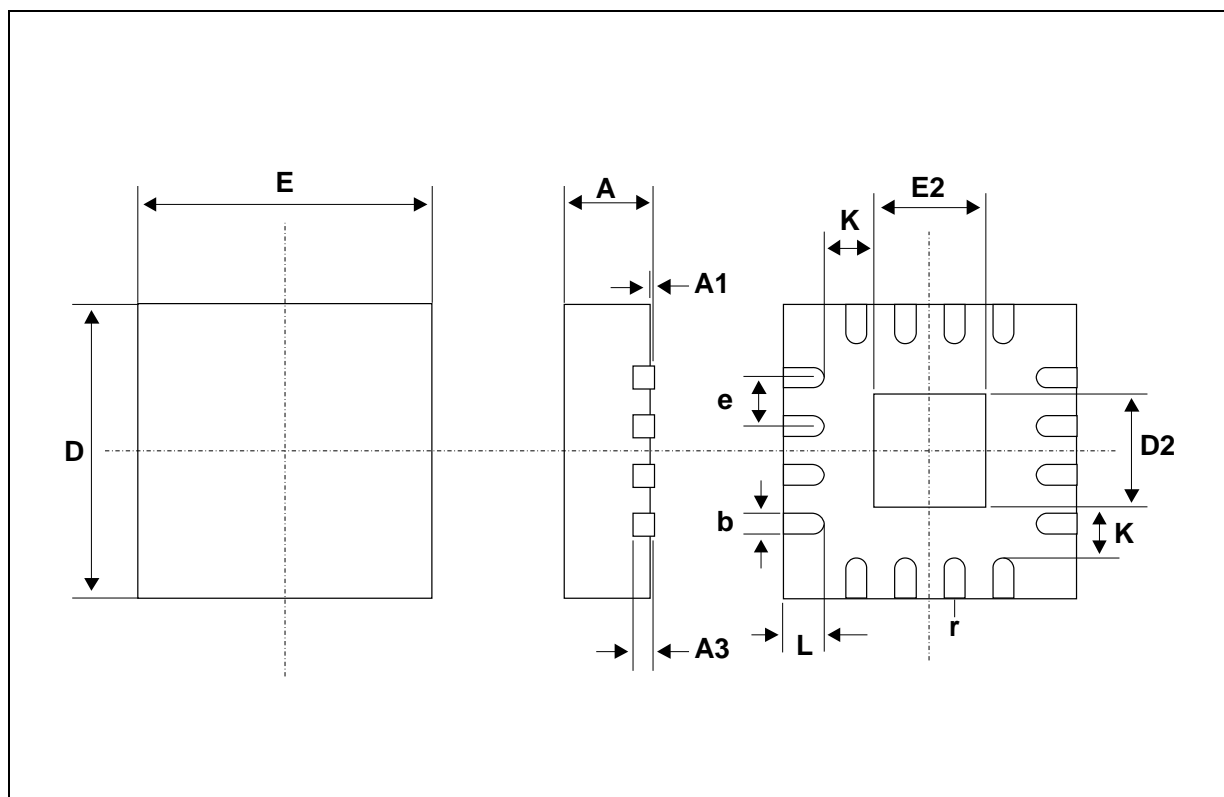


FRONT SIDE



QFN16 (3x3) MECHANICAL DATA

| DIM. | mm. | | | inch | | |
|------|------|------|------|-------|-------|-------|
| | MIN. | TYP. | MAX. | MIN. | TYP. | MAX. |
| A | 0.80 | 0.90 | 1.00 | 0.032 | 0.035 | 0.039 |
| A1 | | 0.02 | 0.05 | | 0.001 | 0.002 |
| A3 | | 0.20 | | | 0.008 | |
| b | 0.18 | 0.25 | 0.30 | 0.007 | 0.010 | 0.012 |
| D | | 3.00 | | | 0.118 | |
| D2 | 1.55 | 1.70 | 1.80 | 0.061 | 0.067 | 0.071 |
| E | | 3.00 | | | 0.118 | |
| E2 | 1.55 | 1.70 | 1.80 | 0.061 | 0.067 | 0.071 |
| e | | 0.50 | | | 0.020 | |
| K | | 0.20 | | | 0.008 | |
| L | 0.30 | 0.40 | 0.50 | 0.012 | 0.016 | 0.020 |
| r | 0.09 | | | 0.006 | | |



Tape & Reel QFNxx/DFNxx (3x3) MECHANICAL DATA

| DIM. | mm. | | | inch | | |
|------|------|-----|------|-------|-------|--------|
| | MIN. | TYP | MAX. | MIN. | TYP. | MAX. |
| A | | | 330 | | | 12.992 |
| C | 12.8 | | 13.2 | 0.504 | | 0.519 |
| D | 20.2 | | | 0.795 | | |
| N | 60 | | | 2.362 | | |
| T | | | 18.4 | | | 0.724 |
| Ao | | 3.3 | | | 0.130 | |
| Bo | | 3.3 | | | 0.130 | |
| Ko | | 1.1 | | | 0.043 | |
| Po | | 4 | | | 0.157 | |
| P | | 8 | | | 0.315 | |

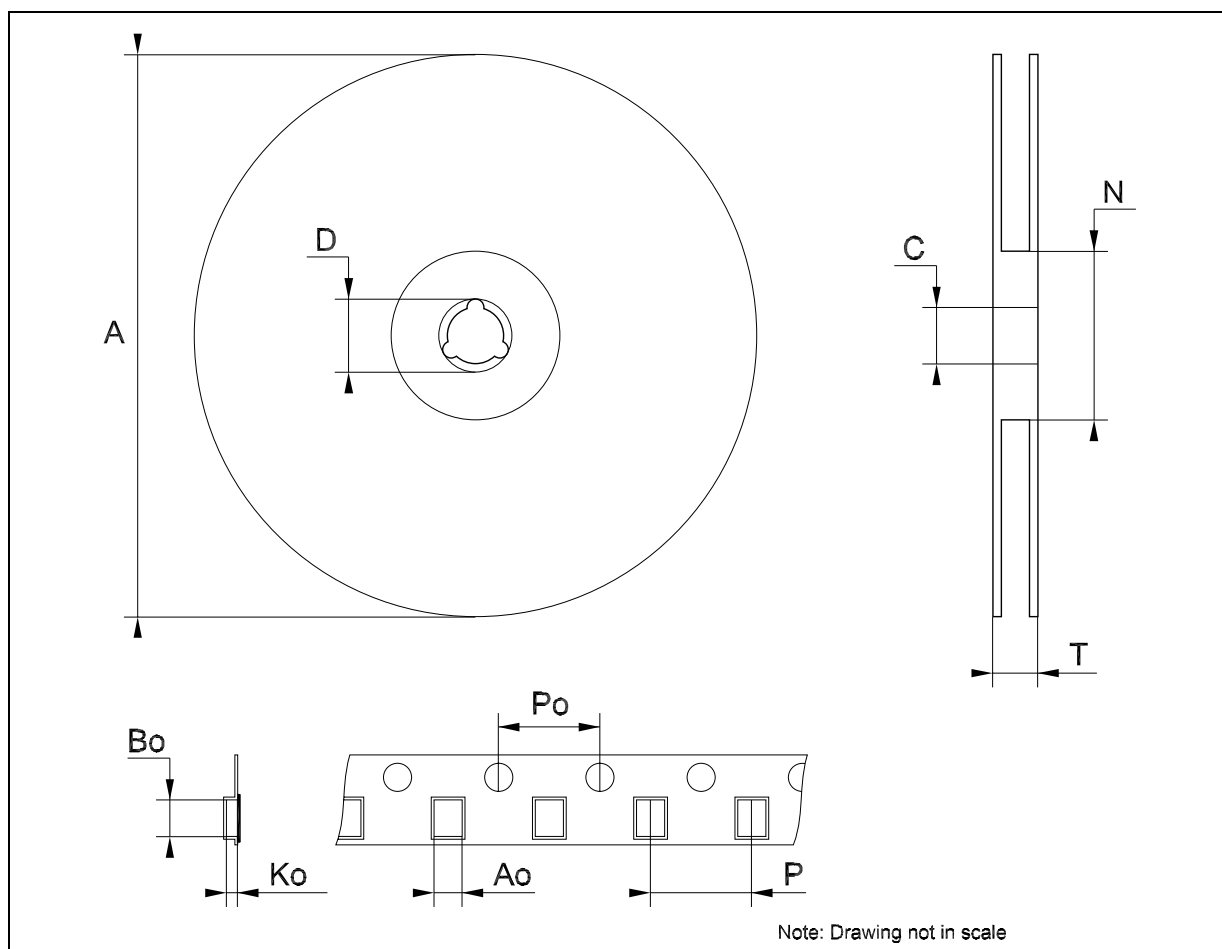


Table 10: Revision History

| Date | Revision | Description of Changes |
|-------------|----------|---|
| 24-Nov-2004 | 1 | First Release. |
| 13-Jan-2005 | 2 | I_{CCLV} is changed on Table 6 |
| 23-Mar-2005 | 3 | Table 3 has been updated and V_{CC} is changed on Table 4 |
| 31-May-2005 | 4 | Add New Package QFN16 (2.5x2.5). |
| 04-Jul-2005 | 5 | The Q Values on Table 7 has been updated. |
| 19-Jul-2005 | 6 | Add New Package QFN16 (2.6x1.8). |
| 03-Aug-2005 | 7 | The V_{CC} and V_{IC} values on Table 4 has been updated. |
| 10-Oct-2005 | 8 | Removed all the information about the QFN16L 2.6X1.8 package |
| 21-Nov-2005 | 9 | Modified the label in Table 1 |
| 21-Dec-2005 | 10 | Few Updates, added tape and reel QFN16 (2.5 x 2.5) |

Information furnished is believed to be accurate and reliable. However, STMicroelectronics assumes no responsibility for the consequences of use of such information nor for any infringement of patents or other rights of third parties which may result from its use. No license is granted by implication or otherwise under any patent or patent rights of STMicroelectronics. Specifications mentioned in this publication are subject to change without notice. This publication supersedes and replaces all information previously supplied. STMicroelectronics products are not authorized for use as critical components in life support devices or systems without express written approval of STMicroelectronics.

The ST logo is a registered trademark of STMicroelectronics

All other names are the property of their respective owners

© 2006 STMicroelectronics - All Rights Reserved

STMicroelectronics group of companies

Australia - Belgium - Brazil - Canada - China - Czech Republic - Finland - France - Germany - Hong Kong - India - Israel - Italy - Japan - Malaysia - Malta - Morocco - Singapore - Spain - Sweden - Switzerland - United Kingdom - United States of America

www.st.com