



STTS424E02

Memory module temperature sensor with a 2 Kb SPD EEPROM

Not recommended for new design

Features

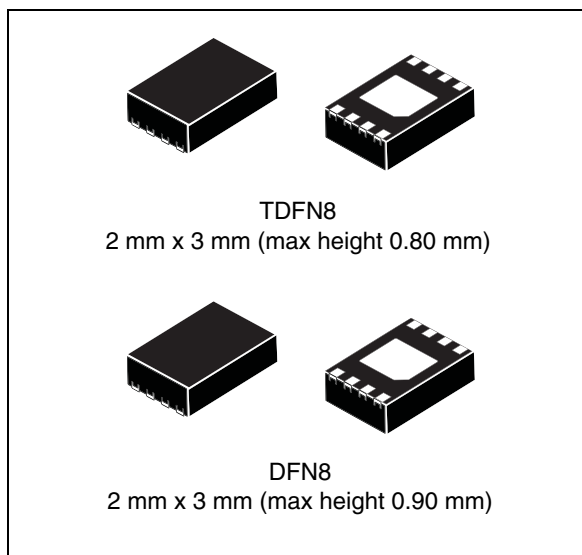
- STTS424E02 includes a JEDEC JC 42.4 compatible temperature sensor, integrated with industry standard 2 Kb serial presence detect (SPD) EEPROM (STTS2002 is recommended for new designs)

Temperature sensor

- Temperature sensor resolution: 0.25 °C (typ)/LSB
- Temperature sensor accuracy:
 - ± 1 °C from +75 °C to +95 °C
 - ± 2 °C from +40 °C to +125 °C
 - ± 3 °C from –40 °C to +125 °C
- ADC conversion time: 125 ms (max)
- Supply voltage: 2.7 V to 3.6 V
- Maximum operating supply current: 210 µA (EEPROM standby)
- Hysteresis selectable set points from: 0, 1.5, 3, 6.0 °C
- Ambient temperature sensing range: –40 °C to +125 °C

2 Kb SPD EEPROM

- Functionality identical to ST's M34E02 SPD EEPROM
- Permanent and reversible software data protection for the lower 128 bytes
- Single supply voltage: 2.7 V to 3.6 V
- Byte and page write (up to 16 bytes)
- Self-time WRITE cycle (5 ms, max)
- Automatic address incrementing
- Operating temperature range:
 - –40 °C to +85 °C (DA package only)
 - –40 °C to +125 °C (DN package only)



Two-wire bus

- 2-wire SMBus/I²C - compatible serial interface
- Temperature sensor supports SMBus timeout
- Supports up to 400 kHz transfer rate

Packages

- DN: 2 mm x 3 mm TDFN8, height: 0.80 mm (max). Compliant to JEDEC MO-229, WCED-3.
- DA: 2 mm x 3 mm DFN8, height: 0.90 mm (max). Contact local ST sales office for availability.
- RoHS compliant, halogen-free

Contents

1	Description	6
2	Serial communications	7
2.1	Device type identifier (DTI) code	7
2.2	Pin descriptions	10
2.2.1	A0, A1, A2	10
2.2.2	V _{SS} (ground)	10
2.2.3	SDA (open drain)	10
2.2.4	SCL	10
2.2.5	$\overline{\text{EVENT}}$ (open drain)	10
2.2.6	V _{DD} (power)	10
3	Temperature sensor operation	11
3.1	SMBus/I ² C communications	11
3.2	SMBus/I ² C slave sub-address decoding	13
3.3	SMBus/I ² C AC timing consideration	14
4	Temperature sensor registers	16
4.1	Capability register (read-only)	17
4.1.1	Alarm window trip	17
4.1.2	Critical trip	17
4.2	Configuration register (read/write)	19
4.2.1	Event thresholds	19
4.2.2	Interrupt mode	19
4.2.3	Comparator mode	19
4.2.4	Shutdown mode	19
4.2.5	Event output pin functionality	22
4.3	Temperature register (read-only)	24
4.3.1	Temperature format	24
4.4	Temperature trip point registers (R/ \overline{W})	25
4.5	Manufacturer ID register (read-only)	26
4.6	Device ID and device revision ID register (read-only)	26

5	SPD EEPROM operation	27
5.1	2 Kb SPD EEPROM operation	27
5.2	Internal device reset - SPD EEPROM	27
5.3	Memory addressing	28
5.4	Setting the write protection	29
5.4.1	SWP and CWP	30
5.4.2	PSWP	30
5.5	Write operations	30
5.5.1	Byte write	31
5.5.2	Page write	31
5.5.3	Write cycle polling using ACK	32
5.6	Read operations - SPD	33
5.6.1	Random address read - SPD	33
5.6.2	Current address read - SPD	34
5.6.3	Sequential read - SPD	34
5.6.4	Acknowledge in read mode	34
5.7	Initial delivery state - SPD	35
6	Use in a memory module	36
6.1	Programming the SPD	36
6.1.1	DIMM isolated	36
6.1.2	DIMM inserted in the application motherboard	36
7	Maximum ratings	37
8	DC and AC parameters	38
9	Package mechanical data	40
10	Part numbering	45
11	Package marking information	46
12	Landing pattern	47
13	Revision history	49

List of tables

Table 1.	Signal names	8
Table 2.	AC SMBus and I ² C compatibility timings	15
Table 3.	Temperature sensor registers summary	16
Table 4.	Pointer register format	16
Table 5.	Pointer register select bits (type, width, and default values)	17
Table 6.	Capability register format	18
Table 7.	Capability register bit definitions	18
Table 8.	Configuration register format	19
Table 9.	Configuration register bit definitions	20
Table 10.	Hysteresis as applied to temperature movement	21
Table 11.	Legend for <i>Figure 9: Event output boundary timings</i>	23
Table 12.	Temperature register format	24
Table 13.	Temperature register bit definitions	24
Table 14.	Temperature trip point register format	25
Table 15.	Alarm temperature upper boundary register format	25
Table 16.	Alarm temperature lower boundary register format	25
Table 17.	Critical temperature register format	25
Table 18.	Manufacturer ID register format	26
Table 19.	Device ID and device revision ID register format	26
Table 20.	Device select code	28
Table 21.	Operating modes	29
Table 22.	Acknowledge when writing data or defining the write-protection (instructions with R/ \overline{W} bit=0).	34
Table 23.	Acknowledge when reading the write protection (instructions with R/ \overline{W} bit=1).	35
Table 24.	DRAM DIMM connections	36
Table 25.	Absolute maximum ratings	37
Table 26.	Operating and AC measurement conditions.	38
Table 27.	DC/AC characteristics - temperature sensor component with EEPROM	38
Table 28.	DFN8 – 8-lead dual flat, no-lead (2 mm x 3 mm) mechanical data (DA)	41
Table 29.	TDFN8 – 8-lead thin dual flat, no-lead (2 mm x 3 mm) mechanical data (DN)	42
Table 30.	Carrier tape dimensions for DFN8 and TDFN8 packages	43
Table 31.	Reel dimensions for 8 mm carrier tape - TDFN8 and DFN8 packages	44
Table 32.	Ordering information scheme	45
Table 33.	Parameters for landing pattern - TDFN package (DN)	48
Table 34.	Document revision history	49

List of figures

Figure 1.	Logic diagram	8
Figure 2.	DFN8 and TDFN8 connections (top view)	8
Figure 3.	Block diagram	9
Figure 4.	SMBus/I ² C write to pointer register	12
Figure 5.	SMBus/I ² C write to pointer register, followed by a read data word.	12
Figure 6.	SMBus/I ² C write to pointer register, followed by a write data word	13
Figure 7.	SMBus/I ² C timing diagram	14
Figure 8.	Hysteresis	21
Figure 9.	Event output boundary timings	23
Figure 10.	Result of setting the write protection.	29
Figure 11.	Setting the write protection	30
Figure 12.	Write mode sequences in a non write-protected area of SPD	31
Figure 13.	Write cycle polling flowchart using ACK	32
Figure 14.	Read mode sequences - SPD	33
Figure 15.	DFN8 – 8-lead dual flat, no-lead (2 mm x 3 mm) package outline (DA)	41
Figure 16.	TDFN8 – 8-lead thin dual flat, no-lead (2 mm x 3 mm) package outline (DN)	42
Figure 17.	Carrier tape for DFN8 and TDFN8 packages	43
Figure 18.	Reel schematic	44
Figure 19.	DA package topside marking information (DFN-8L)	46
Figure 20.	DN package topside marking information (TDFN-8L)	46
Figure 21.	Landing pattern - TDFN package (DN)	47

1 Description

The STTS424E02 is targeted for DIMM modules in mobile personal computing platforms (laptops), server memory modules and other industrial applications. The thermal sensor (TS) in the STTS424E02 is compliant with the JEDEC specification JC 42.4, which defines memory module thermal sensors requirements for mobile platforms. The 2 Kb serial presence detect (SPD) I²C-compatible electrically erasable programmable memory (EEPROM) in the STTS424E02 is organized as 256 x 8 bits and is functionally identical to the industry standard M34E02.

The TS-SPD EEPROM combination provides space as well as cost savings for mobile and server platform dual inline memory modules (DIMM) manufacturers, as it is packaged in the compact 2 mm x 3 mm 8-lead DFN package which is available in two variations. The DA package has a maximum height of 0.90 mm. The DN package has an identical footprint as the DA package with a thinner maximum height of 0.80 mm. The DN package is compliant to JEDEC MO-229, variation WCED-3.

The temperature sensor includes a band gap-based temperature sensor and 10-bit analog-to-digital converter (ADC) which monitor and digitize the temperature to a resolution of up to 0.25 °C. The typical accuracies over these temperature ranges are:

- ±3 °C over the full temperature measurement range of –40 °C to 125 °C,
- ±2 °C in the +40 °C to +125 °C temperature range, and
- ±1 °C in the +75 °C to +95 °C temperature range.

The temperature sensor in the STTS424E02 is specified for operating at supply voltages from 2.7 V to 3.6 V. Operating at 3.3 V, the supply current is 100 µA (typ) with EEPROM in standby mode.

The on-board sigma delta ADC converts the measured temperature to a digital value that is calibrated in °C. For Fahrenheit applications, a lookup table or conversion routine is required. The STTS424E02 is factory-calibrated and requires no external components to measure temperature.

The digital temperature sensor component has user-programmable registers that provide the capabilities for DIMM temperature-sensing applications. The open drain event output pin is active when the monitoring temperature exceeds a programmable limit, or it falls above or below an alarm window. The user has the option to set the event output as a critical temperature output. This pin can be configured to operate in either a comparator mode for thermostat operation or in interrupt mode.

The 2 Kb serial EEPROM memory in the STTS424E02 has the ability to permanently lock the data in its first half (upper) 128 bytes (locations 00h to 7Fh). This facility has been designed specifically for use in DRAM DIMMs with SPD. All of the information concerning the DRAM module configuration (e.g. access speed, size, and organization) can be kept write protected in the first half of the memory. The second half (lower) 128 bytes of the memory can be write protected using two different software write protection mechanisms.

By sending the device a specific sequence, the first 128 bytes of the memory become write protected: permanently or resettable. In the STTS424E02 the EEPROM write control (\overline{WC}) is always held low. Thus, the write protection of the memory array is dependent on whether the software protection has been set.

2 Serial communications

The STTS424E02 has a simple 2-wire SMBus™/I²C-compatible digital serial interface which allows the user to access both the 2 Kb serial EEPROM and the data in the temperature register at any time. It communicates via the serial interface with a master controller which operates at speeds of up to 400 kHz. It also gives the user easy access to all of the STTS424E02 registers in order to customize device operation.

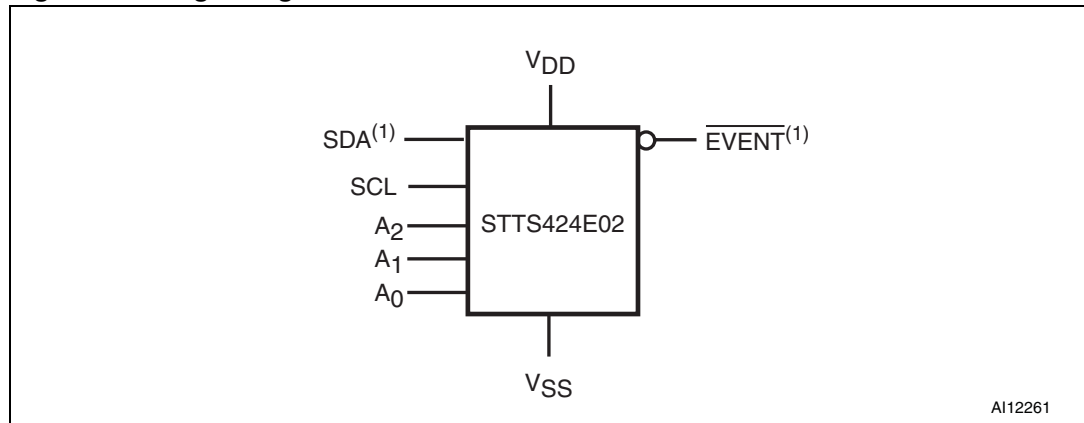
2.1 Device type identifier (DTI) code

The JEDEC temperature sensor and EEPROM each have their own unique I²C address, which ensures that there are no compatibility or data translation issues. This is due to the fact that each of the devices have their own 4-bit DTI code, while the remaining three bits are configurable. This enables the EEPROM and thermal sensors to provide their own individual data via their unique addresses and still not interfere with each others' operation in any way. The DTI codes are:

- '0011' for the TS, and
- '1010' for addressing the EEPROM memory array, and
- '0110' to access the software write protection settings of the EEPROM.

Note: The EEPROM in the STTS424E02 package has its \overline{WC} pin internally tied to the V_{SS} (Ground) pad inside the package while the A0, A1, and A2 pins in the logic diagram (see [Figure 1 on page 8](#)) correspond to the chip enable pins E0, E1 and E2 of EEPROM.

Figure 1. Logic diagram



1. SDA and $\overline{\text{EVENT}}$ are open drain.

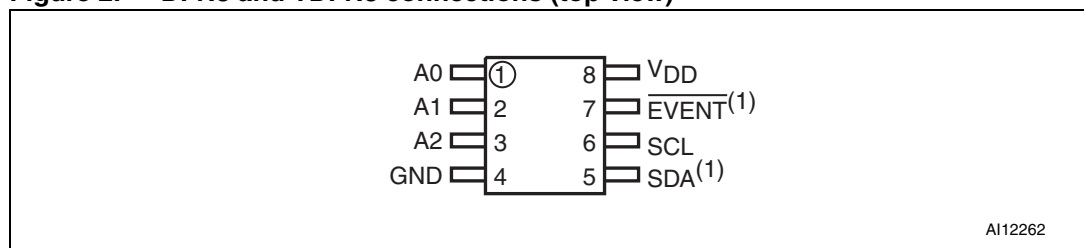
Table 1. Signal names

Pin	Symbol	Description	Direction
1	A0	Serial bus address selection pin. Can be tied to V_{SS} or V_{DD} .	Input
2	A1	Serial bus address selection pin. Can be tied to V_{SS} or V_{DD} .	Input
3	A2	Serial bus address selection pin. Can be tied to V_{SS} or V_{DD} .	Input
4	V_{SS}	Supply ground.	
5	$\text{SDA}^{(1)}$	Serial data.	Input/output
6	SCL	Serial clock.	Input
7	$\overline{\text{EVENT}}^{(1)}$	Event output pin. Open drain and active-low.	Output
8	V_{DD}	Supply power (2.7 V to 3.6 V).	

1. SDA and $\overline{\text{EVENT}}$ are open drain.

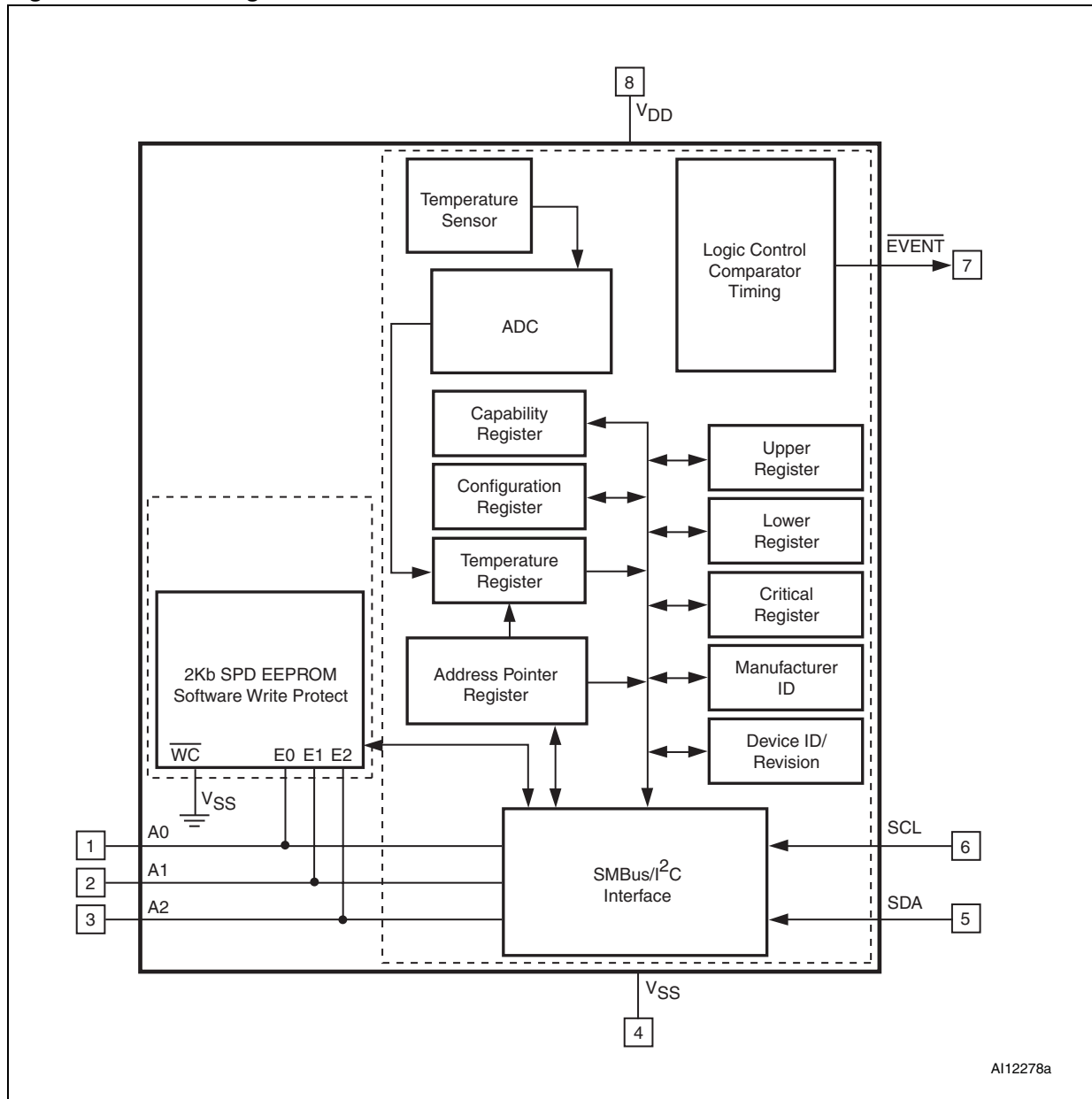
Note: See [Section 2.2: Pin descriptions on page 10](#) for details.

Figure 2. DFN8 and TDFN8 connections (top view)



1. SDA and $\overline{\text{EVENT}}$ are open drain.

Figure 3. Block diagram



A112278a

2.2 Pin descriptions

2.2.1 A0, A1, A2

A2, A1, and A0 are selectable address pins for the 3 LSBs of the I²C interface address. They can be set to V_{DD} or GND to provide 8 unique address selections. These pins are internally connected to the E2, E1, E0 (chip selects) of EEPROM.

2.2.2 V_{SS} (ground)

This is the reference for the power supply. It must be connected to system ground.

2.2.3 SDA (open drain)

This is the serial data input/output pin.

2.2.4 SCL

This is the serial clock input pin.

2.2.5 $\overline{\text{EVENT}}$ (open drain)

This output pin is open drain and active-low, and functions as an alert interrupt.

2.2.6 V_{DD} (power)

This is the supply voltage pin, and ranges from +2.7 V to +3.6 V.

3 Temperature sensor operation

The temperature sensor continuously monitors the ambient temperature and updates the temperature data register at least eight times per second. Temperature data is latched internally by the device and may be read by software from the bus host at any time.

The SMBus/I²C slave address selection pins allow up to 8 such devices to co-exist on the same bus. This means that up to 8 memory modules can be supported, given that each module has one such slave device address slot.

After initial power-on, the configuration registers are set to the default values. The software can write to the configuration register to set bits per the bit definitions in [Section 3.1: SMBus/I²C communications](#).

For details of operation and usage of 2 Kb SPD EEPROM, refer to [Section 5: SPD EEPROM operation](#).

3.1 SMBus/I²C communications

The registers in this device are selected by the pointer register. At power-up, the pointer register is set to "00", which is the capability register location. The pointer register latches the last location it was set to. Each data register falls into one of three types of user accessibility:

1. Read-only
2. Write-only, and
3. WRITE/READ same address

A WRITE to this device will always include the address byte and the pointer byte. A WRITE to any register other than the pointer register, requires two data bytes.

Reading this device is achieved in one of two ways:

- If the location latched in the pointer register is correct (most of the time it is expected that the pointer register will point to one of the read temperature registers because that will be the data most frequently read), then the READ can simply consist of an address byte, followed by retrieval of the two data bytes.
- If the pointer register needs to be set, then an address byte, pointer byte, repeat start, and another address byte will accomplish a READ.

The data byte transfers the MSB first. At the end of a READ, this device can accept either an acknowledge (ACK) or no acknowledge (NoACK) status from the master. The NoACK status is typically used as a signal for the slave that the master has read its last byte. This device subsequently takes up to 125 ms to measure the temperature.

Note: STTS424E02 does not initiate clock stretching which is an optional I²C bus feature.

Figure 4. SMBus/I²C write to pointer register

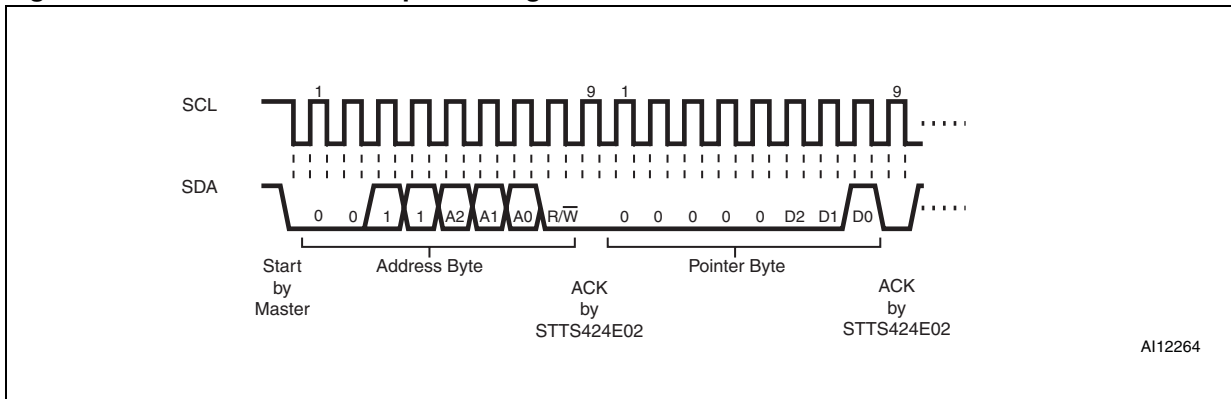


Figure 5. SMBus/I²C write to pointer register, followed by a read data word

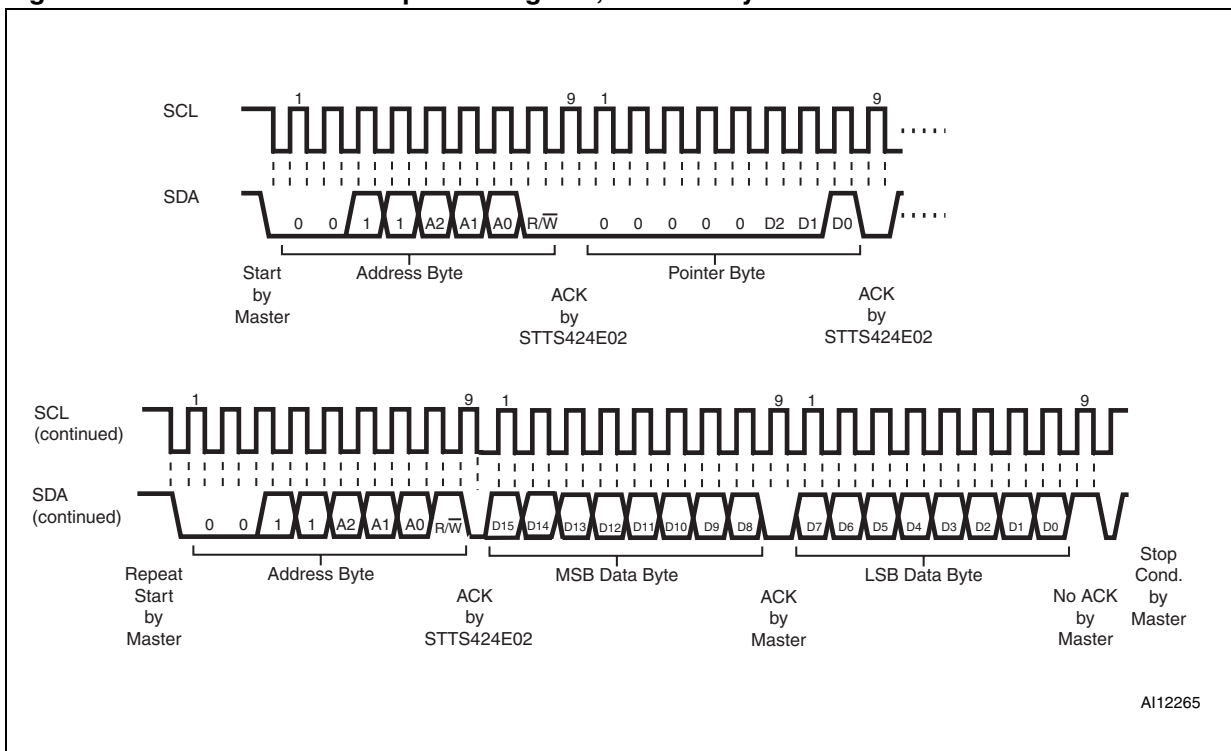
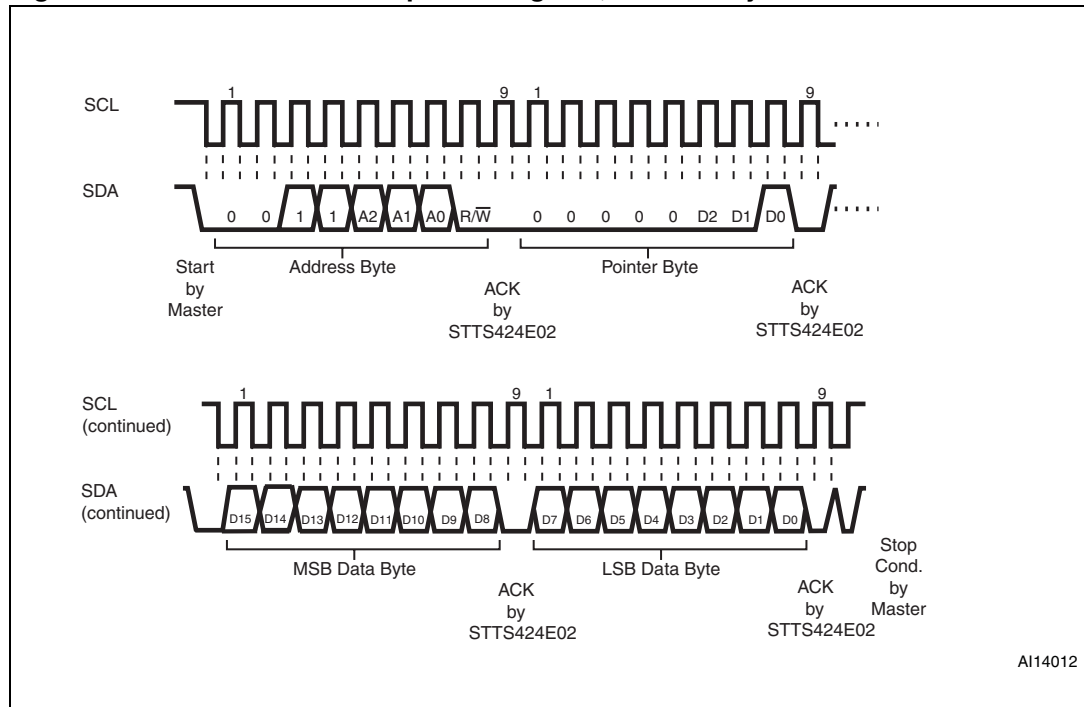


Figure 6. SMBus/I²C write to pointer register, followed by a write data word



3.2 SMBus/I²C slave sub-address decoding

The physical address for the TS is different than that used by the EEPROM. The TS physical address is binary 0 0 1 1 A2 A1 A0 RW, where A2, A1, and A0 are the three slave sub-address pins, and the LSB “RW” is the READ/WRITE flag.

The EEPROM physical address is binary 1 0 1 0 A2 A1 A0 RW for the memory array and is 0 1 1 0 A2 A1 A0 RW for permanently set write protection mode.

3.3 SMBus/I²C AC timing consideration

In order for this device to be both SMBus- and I²C-compatible, it complies to a subset of each specification. The requirements which enable this device to co-exist with devices on either an SMBus or an I²C bus include:

- The SMBus minimum clock frequency is required.
- The 300 ns SMBus data hold time (THD:DAT) is required (see [Figure 7](#) and [Table 2 on page 15](#)).
- The SMBus timeout is maximum 50 ms (temperature sensor only).

Note: Since the voltage levels are specified only within 3.3 V ±10%, there are no compatibility concerns with the SMBus/I²C DC specifications.

Figure 7. SMBus/I²C timing diagram

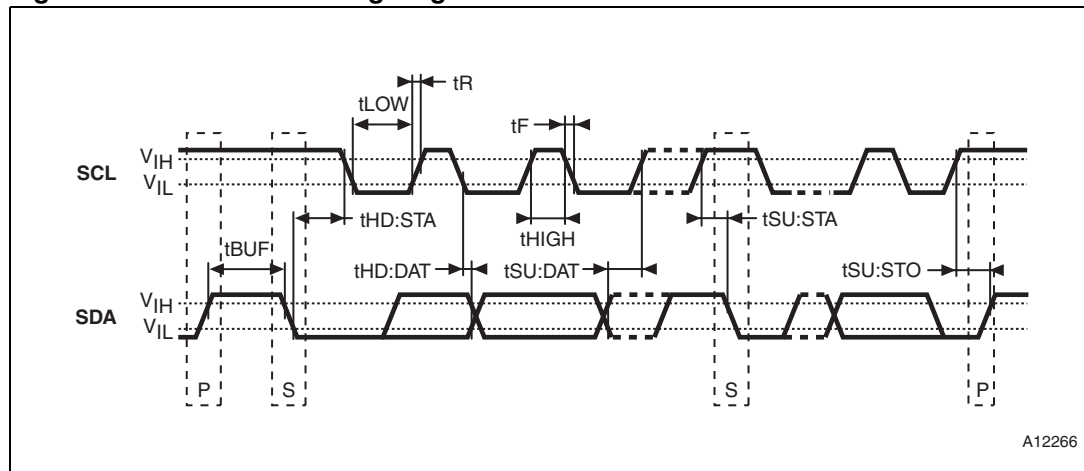


Table 2. AC SMBus and I²C compatibility timings

Symbol	Parameter	DA package		DN package		Units
		Min	Max	Min	Max	
t _{BUF}	Bus free time between stop (P) and start (S) conditions	4.7	–	1.3	–	μs
t _{HD:STA}	Hold time after (repeated) start condition. After this period, the first clock cycle is generated.	4.0	–	0.6	–	μs
t _{SU:STA} ⁽¹⁾	Repeated start condition setup time	4.7	–	0.6	–	μs
t _{HIGH}	Clock high period	4.0	–	0.6	–	μs
t _{LOW} ⁽²⁾	Clock low period	4.7	–	1.3	–	μs
t _F	Clock/data fall time	–	300	–	300	ns
t _R	Clock/data rise time	–	1000	–	300	ns
t _{SU:DAT}	Data setup time	250	–	100	–	ns
t _{HD:DAT}	Data hold time	300	–	300	–	ns
t _{SU:STO}	Stop condition setup time	4.0	–	0.6	–	μs
t _W ⁽³⁾	WRITE time for EEPROM	–	10	–	10	ms
f _{SCL}	SMBUS/I ² C clock frequency	10	100	10	400	KHz
t _{timeout}	Bus timeout (temperature sensor only)	25	50	25	50	ms

1. For a restart condition, or following a WRITE cycle.
2. STTS424E02 will not initiate clock stretching which is an I²C bus optional feature.
3. This parameter reflects maximum WRITE time for EEPROM.

4 Temperature sensor registers

The temperature sensor component is comprised of various user-programmable registers. These registers are required to write their corresponding addresses to the pointer register. They can be accessed by writing to their respective addresses (see [Table 3](#)). Pointer register bits 7-3 must always be written to '0' (see [Table 4](#)). This must be maintained, as not setting these bits to '0' may keep the device from performing to specifications.

The main registers include:

- [Capability register \(read-only\)](#)
- [Configuration register \(read/write\)](#)
- [Temperature register \(read-only\)](#)
- [Temperature trip point registers \(R/W\)](#), including
 - Alarm temperature upper boundary,
 - Alarm temperature lower boundary, and
 - Critical temperature.
- [Manufacturer ID register format](#)
- [Device ID and device revision ID register format](#)

See [Table 5 on page 17](#) for pointer register selection bit details.

Table 3. Temperature sensor registers summary

Address (Hex)	Register name	Power-on default	
Not applicable	Address pointer	Undefined	
00	Capability	C-grade	0x002D
		B-grade	0x002F
01	Configuration	0x0000	
02	Alarm temperature upper boundary trip	0x0000	
03	Alarm temperature lower boundary trip	0x0000	
04	Critical temperature trip	0x0000	
05	Temperature	Undefined	
06	Manufacturer's ID	0x104A	
07	Device ID/revision	DA package	0x0000
		DN package	0x0001

Table 4. Pointer register format

MSB						LSB	
Bit7	Bit6	Bit5	Bit4	Bit3	Bit2	Bit1	Bit0
0	0	0	0	0	P2	P1	P0
						Pointer/register select bits	

Table 5. Pointer register select bits (type, width, and default values)

P2	P1	P0	Name	Register description	Width (bits)	Type (R/W)	Default state (POR)	
0	0	0	CAPA	Thermal sensor capabilities	C-grade	16	R	0x002D
					B-grade			0x002F
0	0	1	CONF	Configuration	16	R/W	0x0000	
0	1	0	UPPER	Alarm temperature upper boundary	16	R/W	0x0000	
0	1	1	LOWER	Alarm temperature lower boundary	16	R/W	0x0000	
1	0	0	CRITICAL	Critical temperature	16	R/W	0x0000	
1	0	1	TEMP	Temperature	16	R	0x0000	
1	1	0	MANU	Manufacturer ID	16	R	0x104A	
1	1	1	ID	Device ID/revision	DA package	16	R	0x0000
					DN package			0x0001

4.1 Capability register (read-only)

This 16-bit register is read-only, and provides the TS capabilities which comply with the minimum JEDEC JC 42.4 specifications (see [Table 6](#) and [Table 7 on page 18](#)). The STTS424E02 provides temperatures at 0.25 resolution (10-bit).

4.1.1 Alarm window trip

The device provides a comparison window with an upper temperature trip point in the alarm upper boundary register, and a lower trip point in the alarm lower boundary register. When enabled, the event output will be triggered whenever entering or exiting (crossing above or below) the alarm window.

4.1.2 Critical trip

The device can be programmed in such a way that the event output is only triggered when the temperature exceeds the critical trip point. The critical temperature setting is programmed in the critical temperature register. When the temperature sensor reaches the critical temperature value in this register, the device is automatically placed in comparator mode, which means that the critical event output cannot be cleared by using software to set the clear event bit.

Table 6. Capability register format

Bit15	Bit14	Bit13	Bit12	Bit11	Bit10	Bit9	Bit8
RFU	RFU	RFU	RFU	RFU	RFU	RFU	RFU
Bit7	Bit6	Bit5	Bit4	Bit3	Bit2	Bit1	Bit0
RFU	RFU	V _{HV}	TRES1	TRES0	Wider range	Higher precision	Alarm and critical trips

Table 7. Capability register bit definitions

Bit	Definition
0	Basic capability – 0 = Alarm and critical trips turned OFF. – 1 = Alarm and critical trips turned ON.
1	Accuracy – 0 = Accuracy ± 2 °C over the active range and ± 3 °C over the monitoring range (C-Grade). – 1 = High accuracy ± 1 °C over the active range and ± 2 °C over the monitoring range (B-Grade) (default).
2	Range width – 0 = Values lower than 0 °C will be clamped and represented as binary value '0'. – 1 = Temperatures below 0 °C can be read and the Sign bit will be set accordingly.
4:3	Temperature resolution – 01 = This 10-bit value is fixed for STTS424E02, providing temperatures at 0.25 °C resolution (LSB).
5	(V _{HV}) High voltage support for A0 (pin 1) – 1 = STTS424E02 supports a voltage up to 10 volts on the A0 pin - (default)
15:6	Reserved These values must be set to '0'.

4.2 Configuration register (read/write)

The 16-bit configuration register stores various configuration modes that are used to set up the sensor registers and configure according to application and JEDEC requirements (see [Table 8 on page 19](#) and [Table 9 on page 20](#)).

4.2.1 Event thresholds

All event thresholds use hysteresis as programmed in register address 0x01 (bits 10 through 9) to be set when they de-assert.

4.2.2 Interrupt mode

The interrupt mode allows an event to occur where software may write a '1' to the clear event bit (bit 5) to de-assert the event interrupt output until the next trigger condition occurs.

4.2.3 Comparator mode

Comparator mode enables the device to be used as a thermostat. READs and WRITEs on the device registers will not affect the event output in comparator mode. The event signal will remain asserted until temperature drops outside the range or is re-programmed to make the current temperature “out of range”.

4.2.4 Shutdown mode

The STTS424E02 features a shutdown mode which disables all power-consuming activities (e.g. temperature sampling operations), and leaves the serial interface active. This is selected by setting shutdown bit (bit 8) to '1'. In this mode, the devices consume the minimum current (I_{SHDN}), as shown in [Table 27 on page 38](#).

Note: Bit 8 cannot be set to '1' while bits 6 and 7 (the lock bits) are set to '1'.

The device may be enabled for continuous operation by clearing bit 8 to '0'. In shutdown mode, all registers may be read or written to. Power recycling will also clear this bit and return the device to continuous mode as well.

Table 8. Configuration register format

Bit15	Bit14	Bit13	Bit12	Bit11	Bit10	Bit9	Bit8
RFU	RFU	RFU	RFU	RFU	Hysteresis	Hysteresis	Shutdown mode
Bit7	Bit6	Bit5	Bit4	Bit3	Bit2	Bit1	Bit0
Critical lock bit	Alarm lock bit	Clear event	Event output status	Event output control	Critical event only	Event polarity	Event mode

Table 9. Configuration register bit definitions

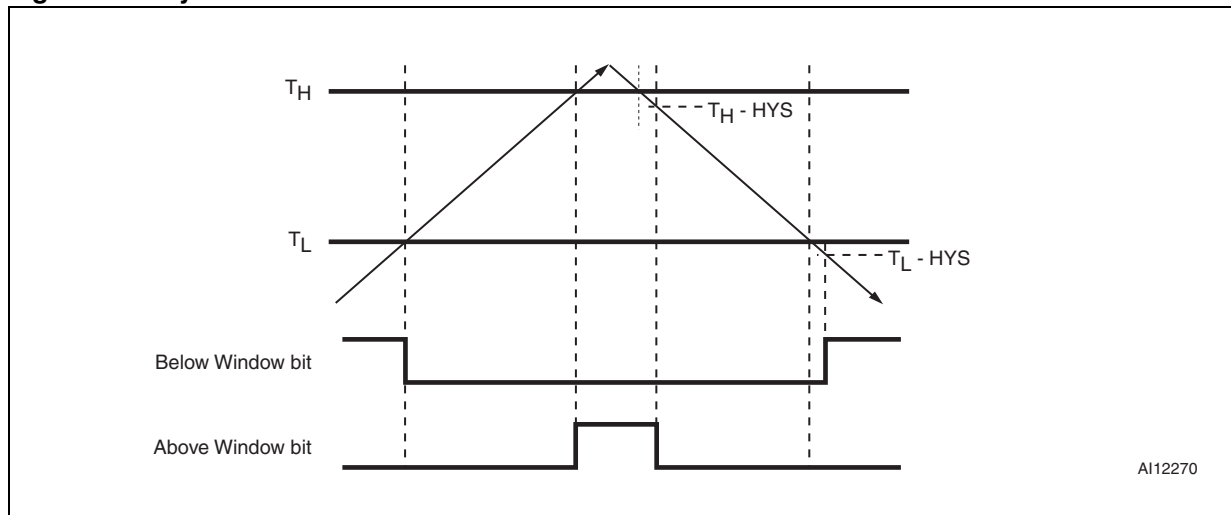
Bit	Definition
0	Event mode – 0 = Comparator output mode (this is the default). – 1 = Interrupt mode; when either of the lock bits is set, this bit cannot be altered until it is unlocked.
1	Event polarity ⁽¹⁾ The event polarity bit controls the active state of the EVENT pin. The EVENT pin is driven to this state when it is asserted. – 0 = Active-low (this is the default). Requires a pull-up resistor to set the inactive state of the open-drain output. The power to the pull-up resistor should not be greater than $V_{DD} + 0.2$ V. Active state is logical “0”. – 1 = Active-high. The active state of the pin is then logical “1”.
2	Critical event only – 0 = Event output on alarm or critical temperature event (this is the default). – 1 = Event only if the temperature is above the value in the critical temperature register; when the alarm window lock bit is set, this bit cannot be altered until it is unlocked.
3	Event output control – 0 = Event output disabled (this is the default). – 1 = Event output enabled; when either of the lock bits is set, this bit cannot be altered until it is unlocked.
4	Event status (read-only) ⁽²⁾ – 0 = Event output condition is not being asserted by this device. – 1 = Event output condition is being asserted by this device via the alarm window or critical trip event.
5	Clear event (write-only) ⁽³⁾ – 0 = No effect. – 1 = Clears the active event in interrupt mode.
6	Alarm window lock bit – 0 = Alarm trips are not locked and can be altered (this is the default). – 1 = Alarm trip register settings cannot be altered. This bit is initially cleared. When set, this bit returns a logic '1' and remains locked until cleared by an internal power-on reset. These bits can be written to with a single WRITE, and do not require double WRITES.
7	Critical trip lock bit – 0 = Critical trip is not locked and can be altered (this is the default). – 1 = Critical trip register settings cannot be altered. This bit is initially cleared. When set, this bit returns a logic '1' and remains locked until cleared by an internal power-on reset. These bits can be written to with a single WRITE, and do not require double WRITES.
8	Shutdown mode – 0 = TS is enabled (this is the default). – 1 = Shutdown TS when the shutdown, device, and A/D converter are disabled in order to save power. No event conditions will be asserted; when either of the lock bits is set, this bit cannot be altered until it is unlocked. However, it can be cleared at any time.

Table 9. Configuration register bit definitions

Bit	Definition
10:9	Hysteresis enable (see Figure 8 and Table 10) – 00 = Hysteresis is disabled (this is the default). – 01 = Hysteresis is enabled at 1.5 °C. – 10 = Hysteresis is enabled at 3 °C. – 11 = Hysteresis is enabled at 6 °C. Hysteresis applies to all limits when the temperature is dropping below the threshold so that once the temperature is above a given threshold, it must drop below the threshold minus the hysteresis in order to be flagged as an interrupt event. Note that hysteresis is also applied to the $\overline{\text{EVENT}}$ pin functionality. When either of the lock bits is set, these bits cannot be altered.
15:11	Reserved for future use. These bits will always read '0' and writing to them will have no effect. For future compatibility, all RFU bits must be programmed as '0'.

- As this device is used in DIMM (memory modules) applications, it is strongly recommended that only the active-low polarity (default) is used. This is the recommended configuration for the STTS424E02.
- The actual incident causing the event can be determined from the read temperature register. Interrupt events can be cleared by writing to the clear event bit (writing to this bit will have no effect on overall device functioning).
- Writing to this register has no effect on overall device functioning in comparator mode. When read, this bit will always return a logic '0' result.

Figure 8. Hysteresis



- T_H = Value stored in the alarm temperature upper boundary trip register.
- T_L = Value stored in the alarm temperature lower boundary trip register.
- HYS = Absolute value of selected hysteresis

Table 10. Hysteresis as applied to temperature movement

	Below alarm window bit		Above alarm window bit	
	Temperature slope	Temperature threshold	Temperature slope	Temperature threshold
Sets	Falling	$T_L - \text{HYS}$	Rising	T_H
Clears	Rising	T_L	Falling	$T_H - \text{HYS}$

4.2.5 Event output pin functionality

The event outputs can be programmed to be configured as either a comparator output or as an interrupt. This is done by enabling the output control bit (bit 3) and setting the event mode bit (bit 0). The output pin polarity can also be specified as active-high or active-low by setting the event polarity bit (bit 1).

When the hysteresis bits (bits 10 and 9) are enabled, hysteresis may be used to sense temperature movement around trigger points. For example, when using the “Above Alarm window” bit (temperature register bit 14, see [Table 12 on page 24](#)) and hysteresis is set to 3 °C, as the temperature rises, bit 14 is set (bit 14 = 1). The temperature is above the alarm window and the temperature register contains a value that is greater than the value set in the alarm temperature upper boundary register (see [Table 15 on page 25](#)).

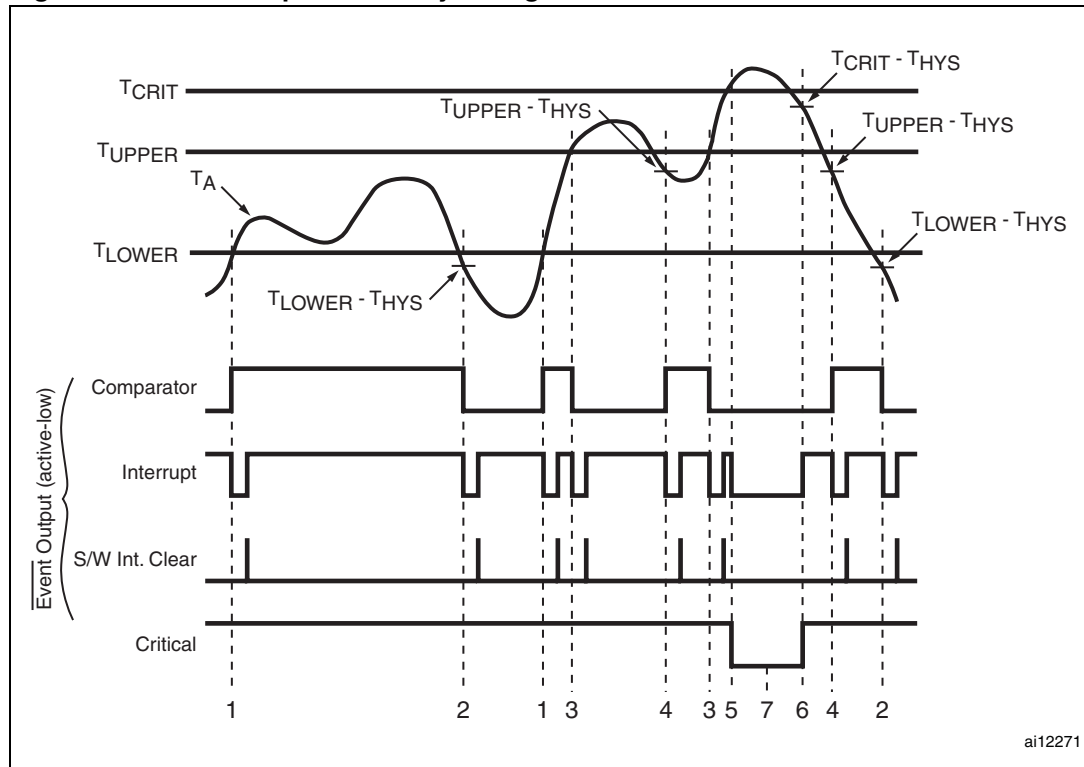
If the temperature decreases, bit 14 will remain set until the measured temperature is less than or equal to the value in the alarm temperature upper boundary register minus 3 °C (see [Figure 8 on page 21](#) and [Table 10 on page 21](#) for details).

Similarly, when using the “Below Alarm window” bit (temperature register bit 13, see [Table 12 on page 24](#)) will be set to '0'. The temperature is equal to or greater than the value set in the alarm temperature lower boundary register (see [Table 16 on page 25](#)). As the temperature decreases, bit 13 will be set to '1' when the value in the temperature register is less than the value in the alarm temperature lower boundary register minus 3 °C (see [Figure 8 on page 21](#) and [Table 10 on page 21](#) for details).

The device will retain the previous state when entering the shutdown mode. If the device enters the shutdown mode while the $\overline{\text{EVENT}}$ pin is low, the shutdown current will increase due to the additional event output pull-down current.

Note: Hysteresis is also applied to the $\overline{\text{EVENT}}$ pin functionality. When either of the lock bits (bits 6 and 7) are set, these bits cannot be altered.

Figure 9. Event output boundary timings



ai12271

Table 11. Legend for *Figure 9: Event output boundary timings*.

Note	Event output boundary conditions	Event output			T _A bits		
		Comparator	Interrupt	Critical	15	14	13
1	$T_A \geq T_{LOWER}$	H	L	H	0	0	0
2	$T_A < T_{LOWER} - T_{HYS}$	L	L	H	0	0	1
3	$T_A > T_{UPPER}$	L	L	H	0	1	0
4	$T_A \leq T_{UPPER} - T_{HYS}$	H	L	H	0	0	0
5	$T_A \geq T_{CRIT}$	L	L	L	1	1	0
6	$T_A < T_{CRIT} - T_{HYS}$	L	H	H	0	1	0
7	When $T_A \geq T_{CRIT}$ and $T_A < T_{CRIT} - T_{HYS}$, the event output is in comparator mode and bit 0 of the configuration register (interrupt mode) is ignored.						

4.3 Temperature register (read-only)

This 16-bit, read-only register stores the temperature measured by the internal band gap TS as shown in [Table 12](#). The STTS424E02 meets the JEDEC mandatory 0.25 °C resolution requirement. When reading this register, the MSBs (bit 15 to bit 8) are read first, and then the LSBs (bit 7 to bit 0) are read. The result is the current-sensed temperature. The data format is 2s complement with one LSB = 0.25 °C. The MSB has a 128 °C resolution.

The trip status bits represent the internal temperature trip detection, and are not affected by the status of the event or configuration bits (e.g. event output control or clear event). If neither of the above or below values are set (i.e. both are 0), then the temperature is exactly within the user-defined alarm window boundaries.

4.3.1 Temperature format

The 16-bit value used in the trip point set and temperature read-back registers is 2s complement, with the LSB equal to 0.0625 °C (see [Table 13](#)). For example:

1. a value of 019Ch represents 25.75 °C,
2. a value of 07C0h represents 124 °C, and
3. a value of 1E74h represents -24.75 °C

All unused resolution bits are set to zero. The MSB will have a resolution of 128 °C. The STTS424E02 supports the 0.25 °C/LSB only.

The upper 3 bits indicate trip status based on the current temperature, and are not affected by the event output status.

Table 12. Temperature register format

			Sign MSB										LSB		
Bit 15	Bit 14	Bit 13	Bit 12	Bit 11	Bit 10	Bit 9	Bit 8	Bit 7	Bit 6	Bit 5	Bit 4	Bit 3	Bit 2	Bit 1	Bit 0
Above critical input ⁽¹⁾	Above alarm window ⁽¹⁾	Below alarm window ⁽¹⁾	Temperature										0	0	

1. See [Table 13](#) for explanation.

Table 13. Temperature register bit definitions

Bit	Definition with hysteresis = 0
13	Below (temperature) alarm window – 0 = Temperature is equal to or above the alarm window lower boundary temperature. – 1 = Temperature is below the alarm window.
14	Above (temperature) alarm window. – 0 = Temperature is equal to or below the alarm window upper boundary temperature. – 1 = Temperature is above the alarm window.
15	Above critical trip – 0 = Temperature is below the critical temperature setting. – 1 = Temperature is equal to or above the critical temperature setting.

4.4 Temperature trip point registers (R/W)

The STTS424E02 alarm mode registers provide for 11-bit data in 2s compliment format. The data provides for one LSB = 0.25 °C. All unused bits in these registers are read as '0'.

The STTS424E02 has three temperature trip point registers (see [Table 14](#)):

- Alarm temperature upper boundary threshold ([Table 15](#)),
- Alarm temperature lower boundary threshold ([Table 16](#)), and
- Critical temperature trip point value ([Table 17](#)).

Note: If the upper or lower boundary threshold values are being altered in-system, all interrupts should be turned off until a known state can be obtained to avoid superfluous interrupt activity.

Table 14. Temperature trip point register format

P2	P1	P0	Name	Register description	Width (bits)	Type (R/W)	Default state (POR)
0	1	0	UPPER	Alarm temperature upper boundary	16	R/W	00 00
0	1	1	LOWER	Alarm temperature lower boundary	16	R/W	00 00
1	0	0	CRITICAL	Critical temperature	16	R/W	00 00

Table 15. Alarm temperature upper boundary register format

Sign MSB													LSB		
Bit 15	Bit 14	Bit 13	Bit 12	Bit 11	Bit 10	Bit 9	Bit 8	Bit 7	Bit 6	Bit 5	Bit 4	Bit 3	Bit 2	Bit 1	Bit 0
0	0	0	Alarm window upper boundary temperature										0	0	

Table 16. Alarm temperature lower boundary register format

Sign MSB													LSB		
Bit 15	Bit 14	Bit 13	Bit 12	Bit 11	Bit 10	Bit 9	Bit 8	Bit 7	Bit 6	Bit 5	Bit 4	Bit 3	Bit 2	Bit 1	Bit 0
0	0	0	Alarm window lower boundary temperature										0	0	

Table 17. Critical temperature register format

Sign MSB													LSB		
Bit 15	Bit 14	Bit 13	Bit 12	Bit 11	Bit 10	Bit 9	Bit 8	Bit 7	Bit 6	Bit 5	Bit 4	Bit 3	Bit 2	Bit 1	Bit 0
0	0	0	Critical temperature trip point										0	0	

4.5 Manufacturer ID register (read-only)

The manufacturer's ID (programmed value 104Ah) in this register is the STMicroelectronics identification provided by the Peripheral Component Interconnect Special Interest Group (PCiSIG).

Table 18. Manufacturer ID register format

Bit15	Bit14	Bit13	Bit12	Bit11	Bit10	Bit9	Bit8
0	0	0	1	0	0	0	0
Device ID							
Bit7	Bit6	Bit5	Bit4	Bit3	Bit2	Bit1	Bit0
0	1	0	0	1	0	1	0

4.6 Device ID and device revision ID register (read-only)

The device IDs and device revision IDs are maintained in this register. The register format is shown in [Table 19](#). The device IDs and device revision IDs are currently '0' and will be incremented whenever an update of the device is made.

Table 19. Device ID and device revision ID register format

Bit15	Bit14	Bit13	Bit12	Bit11	Bit10	Bit9	Bit8
0	0	0	0	0	0	0	0
Device ID							
Bit7	Bit6	Bit5	Bit4	Bit3	Bit2	Bit1	Bit0 ⁽¹⁾
0	0	0	0	0	0	0	0 or 1
Device revision ID							

1. DA package, bit0 is 0 (see [Table 27 on page 38](#)).
 DN package, bit0 is 1 (see [Table 27 on page 38](#)).

5 SPD EEPROM operation

5.1 2 Kb SPD EEPROM operation

The 2 Kb serial EEPROM is able to lock permanently the data in its first half (from location 00h to 7Fh). This facility has been designed specifically for use in DRAM DIMMs (dual inline memory modules) with serial presence detect. All the information concerning the DRAM module configuration (such as its access speed, its size, its organization) can be kept write protected in the first half of the memory.

The first half of the memory area can be write-protected using two different software write protection mechanisms. By sending the device a specific sequence, the first 128 bytes of the memory become write protected: permanently or resettable.

These I²C-compatible electrically erasable programmable memory (EEPROM) devices are organized as 256x8 bits.

I²C uses a two wire serial interface, comprising a bi-directional data line and a clock line. The device carries a built-in 4-bit device type identifier code (1010) in accordance with the I²C bus definition to access the memory area and a second device type identifier code (0110) to define the protection. These codes are used together with the voltage level applied on the three chip enable inputs (A2, A1, A0). These input signals are used to set the value that is to be looked for on the three least significant bits (b3, b2, b1) of the 7-bit device select code. In the end application, A0, A1 and A2 must be directly (not through a pull-up or pull-down resistor) connected to V_{DD} or V_{SS} to establish the device select code. When these inputs are not connected, an internal pull-down circuitry makes (A0,A1,A2) = (0,0,0).

The A0 input is used to detect the V_{HV} voltage, when decoding an SWP or CWP instruction (refer to [Table 20: Device select code](#)).

The device behaves as a slave device in the I²C protocol, with all memory operations synchronized by the serial clock. Read and write operations are initiated by a START condition, generated by the bus master. The START condition is followed by a device select code and R/ \overline{W} bit (as described in [Table 20: Device select code](#)), terminated by an acknowledge bit.

When writing data to the memory, the memory inserts an acknowledge bit during the 9th bit time, following the bus master's 8-bit transmission. When data is read by the bus master, the bus master acknowledges the receipt of the data byte in the same way. Data transfers are terminated by a STOP condition after an ACK for WRITE, and after a NoACK for READ.

5.2 Internal device reset - SPD EEPROM

In order to prevent inadvertent write operations during power-up, a power on reset (POR) circuit is included.

At power-up (phase during which V_{DD} is lower than V_{DDmin} but increases continuously), the device will not respond to any instruction until V_{DD} has reached the power on reset threshold voltage (this threshold is lower than the minimum V_{DD} operating voltage defined in [Table 2: AC SMBus and I²C compatibility timings](#)). Once V_{DD} has passed the POR threshold, the device is reset.

Prior to selecting the memory and issuing instructions, a valid and stable V_{DD} voltage must be applied. This voltage must remain stable and valid until the end of the transmission of the instruction and, for a write instruction, until the completion of the internal write cycle (t_W).

At power-down (phase during which V_{DD} decreases continuously), as soon as V_{DD} drops from the normal operating voltage below the power on reset threshold voltage, the device stops responding to any instruction sent to it.

Table 20. Device select code

	Chip enable signals			Device type identifier				Chip enable bits			R/\overline{W}
				b7 ⁽¹⁾	b6	b5	b4	b3	b2	b1	b0
Memory area select code (two arrays) ⁽²⁾	A2	A1	A0	1	0	1	0	A2	A1	A0	R/\overline{W}
Set write protection (SWP)	V_{SS}	V_{SS}	V_{HV}	0	1	1	0	0	0	1	0
Clear write protection (CWP)	V_{SS}	V_{DD}	V_{HV}					0	1	1	0
Permanently set write protection (PSWP) ⁽²⁾	A2	A1	A0					A2	A1	A0	0
Read SWP	V_{SS}	V_{SS}	V_{HV}					0	0	1	1
Read CWP	V_{SS}	V_{DD}	V_{HV}					0	1	1	1
Read PSWP ⁽²⁾	A2	A1	A0					A2	A1	A0	1

1. The most significant bit, b7, is sent first.

2. A0, A1 and A2 are compared against the respective external pins on the memory device.

5.3 Memory addressing

To start communication between the bus master and the slave device, the bus master must initiate a Start condition. Following this, the bus master sends the device select code, shown in [Table 20: Device select code](#) (on serial data (SDA), most significant bit first).

The device select code consists of a 4-bit device type identifier, and a 3-bit chip enable "Address" (A2, A1, A0). To address the memory array, the 4-bit device type identifier is 1010b; to access the write-protection settings, it is 0110b.

Up to eight memory devices can be connected on a single I²C bus. Each one is given a unique 3-bit code on the chip enable (A0, A1, A2) inputs. When the device select code is received, the device only responds if the chip enable address is the same as the value on the chip enable (A0, A1, A2) inputs.

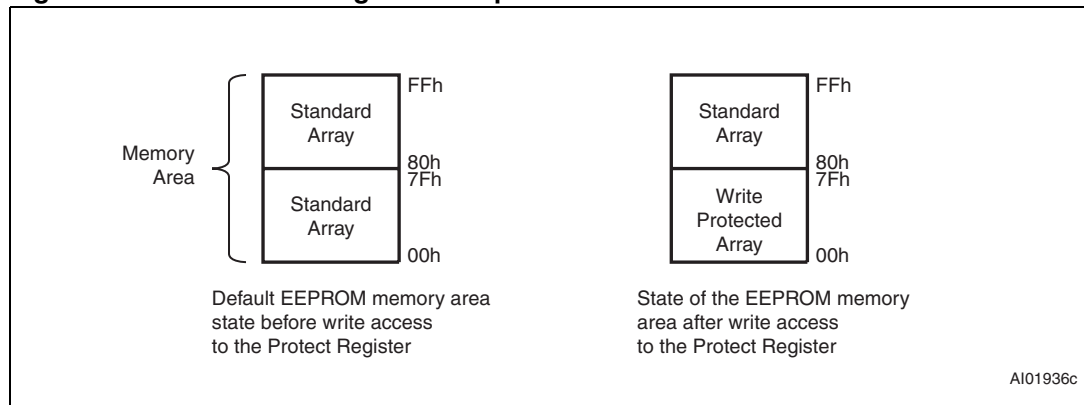
The 8th bit is the Read/Write bit (R/\overline{W}). This bit is set to 1 for read and 0 for write operations.

If a match occurs on the device select code, the corresponding device gives an acknowledgment on serial data (SDA) during the 9th bit time. If the device does not match the device select code, it deselects itself from the bus, and goes into standby mode. The operating modes are detailed in [Table 21](#).

Table 21. Operating modes

Mode	R/W bit	Bytes	Initial sequence
Current address read	1	1	START, device select, $R/\overline{W} = 1$
Random address read	0	1	START, device select, $R/\overline{W} = 0$, address
	1		reSTART, device select, $R/\overline{W} = 1$
Sequential read	1	≥ 1	Similar to current or random address read
Byte write	0	1	START, device select, $R/\overline{W} = 0$
Page write	0	≤ 16	START, device select, $R/\overline{W} = 0$
TS write	0	2	START, device select, $R/\overline{W} = 0$, pointer data, stop
TS read	1	2	START, device select, $R/\overline{W} = 1$, pointer data, stop

Figure 10. Result of setting the write protection



5.4 Setting the write protection

The Write Control (\overline{WC}) is tied low, hence the write protection of the memory array is dependent on whether software write-protection has been set.

Software write-protection allows the bottom half of the memory area (addresses 00h to 7Fh) to be write protected irrespective of subsequent states of the write control (\overline{WC}) signal.

Software write-protection is handled by three instructions:

- SWP: Set write protection
- CWP: Clear write protection
- PSWP: Permanently set write protection

The level of write-protection (set or cleared) that has been defined using these instructions, remains defined even after a power cycle.

5.4.1 SWP and CWP

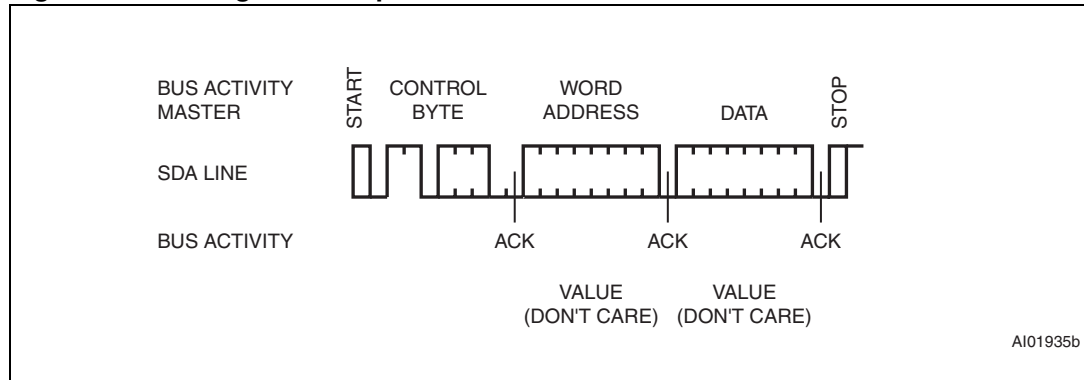
If the software write-protection has been set with the SWP instruction, it can be cleared again with a CWP instruction.

The two instructions (SWP and CWP) have the same format as a byte write instruction, but with a different device type identifier (as shown in [Table 20](#)). Like the byte write instruction, it is followed by an address byte and a data byte, but in this case the contents are all “Don’t Care” ([Figure 11](#)). Another difference is that the voltage, V_{HV} , must be applied on the A0 pin, and specific logical levels must be applied on the other two address pins A1 and A2 (as shown in [Table 20](#)).

5.4.2 PSWP

If the software write-protection has been set with the PSWP instruction, the first 128 bytes of the memory are permanently write-protected. This write-protection cannot be cleared by any instruction, or by power-cycling the device. Also, once the PSWP instruction has been successfully executed, the SPD EEPROM no longer acknowledges any instruction (with a device type identifier of 0110) to access the write-protection settings.

Figure 11. Setting the write protection



5.5 Write operations

Following a start condition the bus master sends a device select code with the R/\bar{W} bit reset to 0. The device acknowledges this, as shown in [Figure 12](#), and waits for an address byte. The device responds to the address byte with an acknowledge bit, and then waits for the data byte.

When the bus master generates a stop condition immediately after the ACK bit (in the “10th bit” time slot), either at the end of a byte write or a page write, the internal memory write cycle is triggered. A stop condition at any other time slot does not trigger the internal write cycle.

During the internal write cycle, serial data (SDA) and serial clock (SCL) are ignored, and the device does not respond to any requests.

5.5.1 Byte write

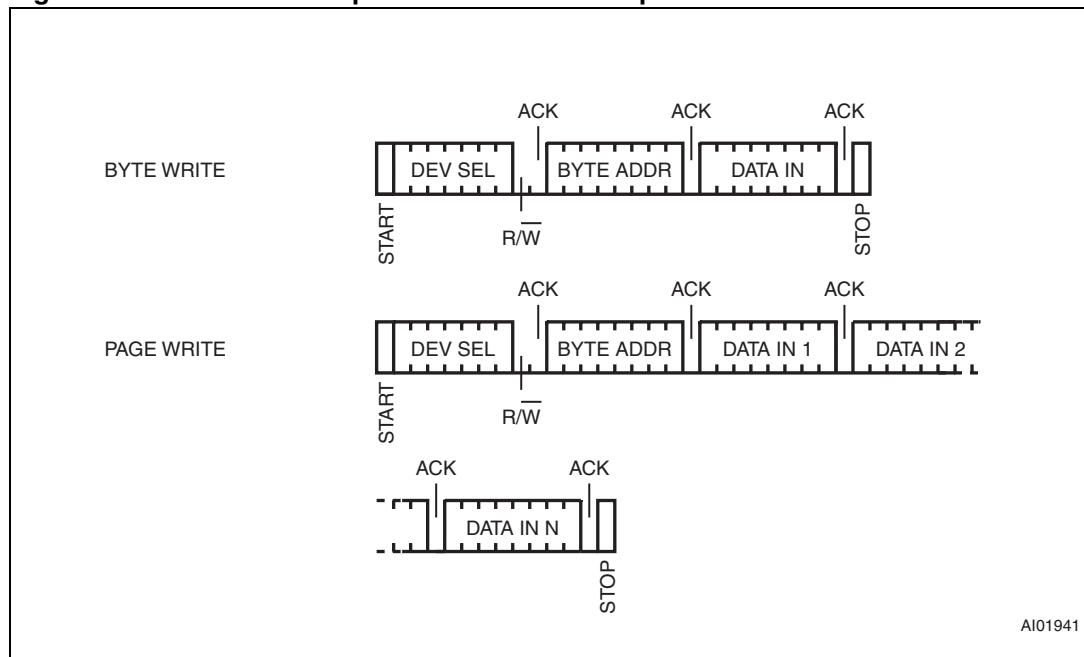
After the device select code and the address byte, the bus master sends one data byte. If the addressed location is hardware write-protected, the device replies to the data byte with NoACK, and the location is not modified. If, instead, the addressed location is not write-protected, the device replies with ACK. The bus master terminates the transfer by generating a stop condition, as shown in *Figure 12*.

5.5.2 Page write

The page write mode allows up to 16 bytes to be written in a single write cycle, provided that they are all located in the same page in the memory: that is, the most significant memory address bits are the same. If more bytes are sent than will fit up to the end of the page, a condition known as ‘roll-over’ occurs. This should be avoided, as data starts to become overwritten in an implementation dependent way.

The bus master sends from 1 to 16 bytes of data, each of which is acknowledged by the device. After each byte is transferred, the internal byte address counter (the 4 least significant address bits only) is incremented. The transfer is terminated by the bus master generating a stop condition.

Figure 12. Write mode sequences in a non write-protected area of SPD



AI01941

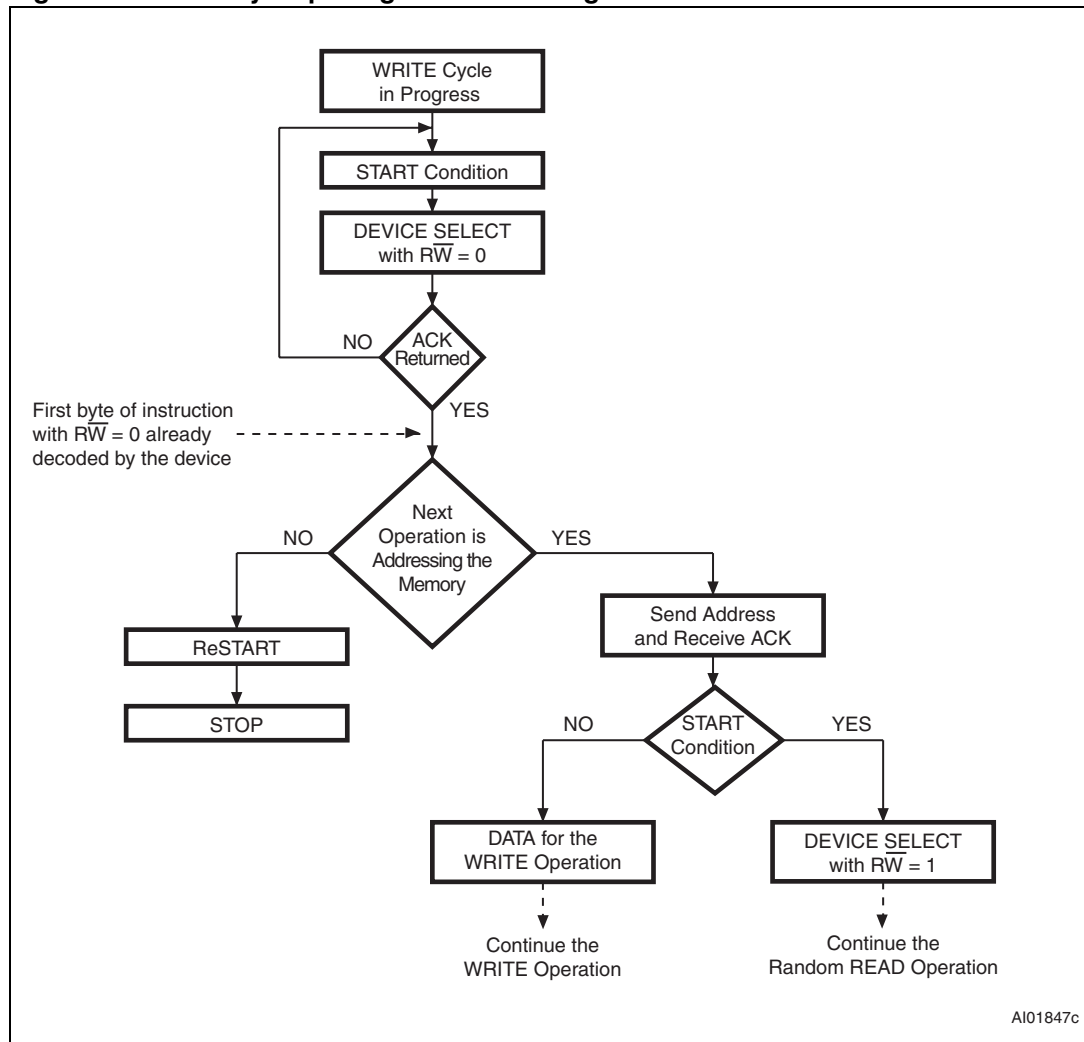
5.5.3 Write cycle polling using ACK

During the internal write cycle, the device disconnects itself from the bus, and writes a copy of the data from its internal latches to the memory cells. The maximum write time (t_w) is shown in *Table 2: AC SMBus and I²C compatibility timings*, but the typical time is shorter. To make use of this, a polling sequence can be used by the bus master.

The sequence, as shown in *Figure 13*, is:

- Initial condition: a write cycle is in progress.
- Step 1: the bus master issues a start condition followed by a device select code (the first byte of the new instruction).
- Step 2: if the device is busy with the internal write cycle, no ACK will be returned and the bus master goes back to step 1. If the device has terminated the internal write cycle, it responds with an ACK, indicating that the device is ready to receive the second part of the instruction (the first byte of this instruction having been sent during step 1).

Figure 13. Write cycle polling flowchart using ACK

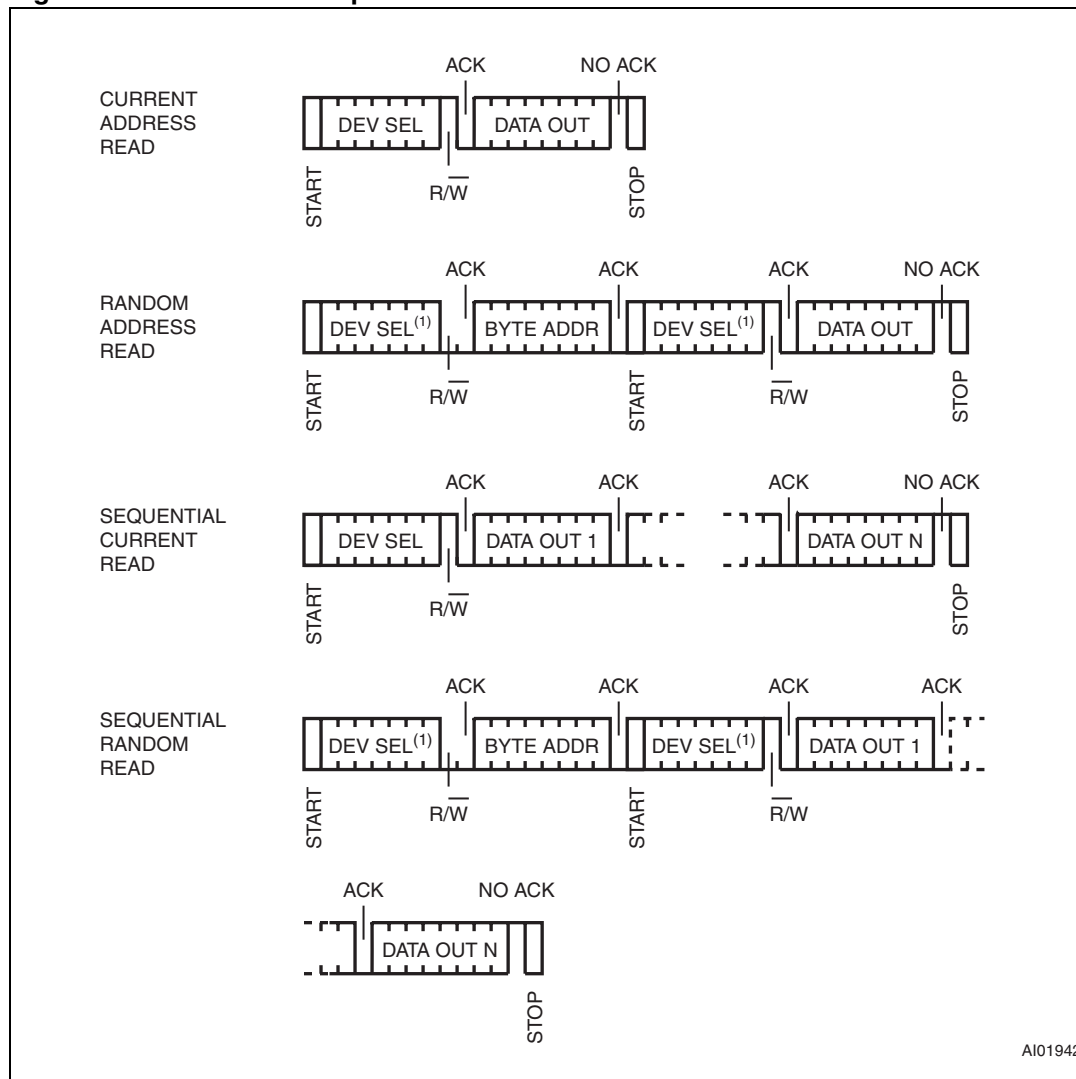


5.6 Read operations - SPD

Read operations are performed independently of whether hardware or software protection has been set.

The device has an internal address counter which is incremented each time a byte is read.

Figure 14. Read mode sequences - SPD



1. The seven most significant bits of the device select code of a random read (in the 1st and 3rd bytes) must be identical.

5.6.1 Random address read - SPD

A dummy write is first performed to load the address into this address counter (as shown in [Figure 14](#)) but *without* sending a stop condition. Then, the bus master sends another start condition, and repeats the device select code, with the R/W bit set to 1. The device acknowledges this, and outputs the contents of the addressed byte. The bus master must *not* acknowledge the byte, and terminates the transfer with a stop condition.

5.6.2 Current address read - SPD

For the current address read operation, following a start condition, the bus master only sends a device select code with the R/\overline{W} bit set to 1. The device acknowledges this, and outputs the byte addressed by the internal address counter. The counter is then incremented. The bus master terminates the transfer with a stop condition, as shown in [Figure 14](#), without acknowledging the byte.

5.6.3 Sequential read - SPD

This operation can be used after a current address read or a random address read. The bus master *does* acknowledge the data byte output, and sends additional clock pulses so that the device continues to output the next byte in sequence. To terminate the stream of bytes, the bus master must *not* acknowledge the last byte, and *must* generate a stop condition, as shown in [Figure 14](#).

The output data comes from consecutive addresses, with the internal address counter automatically incremented after each byte output. After the last memory address, the address counter 'rolls-over', and the device continues to output data from memory address 00h.

5.6.4 Acknowledge in read mode

For all read commands, the device waits, after each byte read, for an acknowledgment during the 9th bit time. If the bus master does not drive serial data (SDA) low during this time, the device terminates the data transfer and switches to its standby mode.

[Table 22](#) and [Table 23](#) show how the ACK bits can be used to identify the write-protection status.

Table 22. Acknowledge when writing data or defining the write-protection (instructions with R/W bit=0)

Status	WC Input Level	Instruction	ACK	Address	ACK	Data byte	ACK	Write cycle(t_w)
Permanently protected	X	PSWP, SWP or CWP	NoACK	Not significant	NoACK	Not significant	NoACK	No
		Page or byte write in lower 128 bytes	ACK	Address	ACK	Data	NoACK	No
Protected with SWP	0	SWP	NoACK	Not significant	NoACK	Not significant	NoACK	No
		CWP	ACK	Not significant	ACK	Not significant	ACK	Yes
		PSWP	ACK	Not significant	ACK	Not significant	ACK	Yes
		Page or byte write in lower 128 bytes	ACK	Address	ACK	Data	NoACK	No
Not Protected	0	PSWP, SWP or CWP	ACK	Not significant	ACK	Not significant	ACK	Yes
		Page or byte write	ACK	Address	ACK	Data	ACK	Yes

Table 23. Acknowledge when reading the write protection (instructions with R/W bit=1)

Status	Instruction	ACK	Address	ACK	Data byte	ACK
Permanently protected	PSWP, SWP or CWP	NoACK	Not significant	NoACK	Not significant	NoACK
Protected with SWP	SWP	NoACK	Not significant	NoACK	Not significant	NoACK
	CWP	ACK	Not significant	NoACK	Not significant	NoACK
	PSWP	ACK	Not significant	NoACK	Not significant	NoACK
Not protected	PSWP, SWP or CWP	ACK	Not significant	NoACK	Not significant	NoACK

5.7 Initial delivery state - SPD

The device is delivered with all bits in the memory array set to '1' (each byte contains FFh).

6 Use in a memory module

In the dual inline memory module (DIMM) application, the SPD is soldered directly on to the printed circuit module. The three chip enable inputs (A0, A1, A2) must be connected to V_{SS} or V_{DD} directly (that is without using a pull-up or pull-down resistor) through the DIMM socket (see [Table 24](#)).

The write control (\overline{WC}) of the device is tied to ground to maintain full read and write access.

Table 24. DRAM DIMM connections

DIMM position	A2	A1	A0
0	$V_{SS}(0)$	$V_{SS}(0)$	$V_{SS}(0)$
1	$V_{SS}(0)$	$V_{SS}(0)$	$V_{DD}(1)$
2	$V_{SS}(0)$	$V_{DD}(1)$	$V_{SS}(0)$
3	$V_{SS}(0)$	$V_{DD}(1)$	$V_{DD}(1)$
4	$V_{DD}(1)$	$V_{SS}(0)$	$V_{SS}(0)$
5	$V_{DD}(1)$	$V_{SS}(0)$	$V_{DD}(1)$
6	$V_{DD}(1)$	$V_{DD}(1)$	$V_{SS}(0)$
7	$V_{DD}(1)$	$V_{DD}(1)$	$V_{DD}(1)$

6.1 Programming the SPD

The situations in which the SPD EEPROM is programmed can be considered under two headings:

- when the DIMM is isolated (not inserted on the PCB motherboard)
- when the DIMM is inserted on the PCB motherboard

6.1.1 DIMM isolated

With specific programming equipment, it is possible to define the SPD EEPROM content, using byte and page write instructions, and its write-protection using the SWP and CWP instructions. To issue the SWP and CWP instructions, the DIMM must be inserted in the application-specific slot where the A0 signal can be driven to V_{HV} during the whole instruction. This programming step is mainly intended for use by DIMM makers, whose end application manufacturers will want to clear this write-protection with the CWP on their own specific programming equipment, to modify the lower 128 bytes, and finally to set permanently the write-protection with the PSWP instruction.

6.1.2 DIMM inserted in the application motherboard

As the final application cannot drive the A0 pin to V_{HV} , the only possible action is to freeze the write-protection with the PSWP instruction.

7 Maximum ratings

Stressing the device above the ratings listed in the absolute maximum ratings table may cause permanent damage to the device. These are stress ratings only and operation of the device at these or any other conditions above those indicated in the operating sections of this specification is not implied. Exposure to absolute maximum rating conditions for extended periods may affect device reliability.

Table 25. Absolute maximum ratings

Symbol	Parameter	Value	Unit	
T_{STG}	Storage temperature	-65 to 150	°C	
$T_{SLD}^{(1)}$	Lead solder temperature for 10 seconds	260	°C	
V_{IO}	Input or output voltage	A0	$V_{SS} - 0.3$ to 10.0	V
		others	$V_{SS} - 0.3$ to 6.5	V
V_{DD}	Supply voltage	$V_{SS} - 0.3$ to 6.5	V	
I_O	Output current	10	mA	
P_D	Power dissipation	320	mW	
θ_{JA}	Thermal resistance	DA package	128	°C/W
		DN package	87.4	°C/W

1. Reflow at peak temperature of 260 °C. The time above 255 °C must not exceed 30 seconds.

8 DC and AC parameters

This section summarizes the operating measurement conditions, and the DC and AC characteristics of the device. The parameters in the dc and ac characteristics tables that follow, are derived from tests performed under the measurement conditions summarized in [Table 26](#), Operating and AC measurement conditions. Designers should check that the operating conditions in their circuit match the operating conditions when relying on the quoted parameters.

Table 26. Operating and AC measurement conditions

Parameter	Conditions	Unit
V _{DD} supply voltage - temperature sensor	2.7 to 3.6	V
Operating temperature	-40 to 85	°C
Input rise and fall times	≤ 50	ns
Load capacitance	100	pf
Input pulse voltages	0.2 to 0.8V _{DD}	V
Input and output timing reference voltages	0.3 to 0.7V _{DD}	V

Table 27. DC/AC characteristics - temperature sensor component with EEPROM

Sym	Description	Test condition ⁽¹⁾	Min	Typ ⁽²⁾	Max	Unit	
V _{DD}	Supply voltage		2.7	3.3	3.6	V	
I _{DD}	V _{DD} supply current (no load)	EEPROM active, TS shutdown F = 400 kHz			2	mA	
		EEPROM (standby) active temperature conversions F = 400 kHz		100	210	µA	
	V _{DD} supply current, communication only (no conversions)	EEPROM (standby)	100 kHz		40		µA
					115		µA
I _{DD1}	TS shutdown mode supply current	EEPROM standby, TS shutdown	DA package at 85 °C		1.0	3	µA
			DN package at 125 °C		1.0	5	µA
I _{SINK}	SMBUS output low sink current	SDA forced to 0.6 V	6			mA	
I _{ILI}	Input leakage current (SCL, SDA)	V _{IN} = V _{SS} or V _{DD}			±4	µA	
I _{ILO}	Output leakage current	V _{OUT} = V _{SS} or V _{DD} , SDA in Hi-Z			±4	µA	

Table 27. DC/AC characteristics - temperature sensor component with EEPROM (continued)

Sym	Description	Test condition ⁽¹⁾	Min	Typ ⁽²⁾	Max	Unit
V _{POR} ⁽³⁾	Power on reset (POR) threshold	V _{DD} falling edge: DA package		0.6		V
		V _{DD} falling edge: DN package		2.0		V
C-grade ⁽⁴⁾	Accuracy for corresponding range 2.7 V ≤ V _{DD} ≤ 3.6 V	+75 °C < T _A < +95		±1.0	±2.0	°C
		+40 °C < T _A < +125		±2.0	±3.0	°C
		-40 °C < T _A < +125		±3.0	±4.0	°C
B-grade	Accuracy for corresponding range 2.7 V ≤ V _{DD} ≤ 3.6 V	+75 °C < T _A < +95		±0.5	±1.0	°C
		+40 °C < T _A < +125		±1.0	±2.0	°C
		-40 °C < T _A < +125		±2.0	±3.0	°C
	Resolution	10-bit temperature data			0.25	°C/LS B
					10	bits
t _{CONV}	Conversion time	10-bit			125	ms
V _{OL1}	Low level voltage	EVENT; I _{OL} = 2.1 mA			0.4	V
SMBus/I²C interface						
V _{IH}	Input logic high	SCL, SDA, A0-A2	2.1			V
V _{IL}	Input logic low	SCL, SDA, A0-A2			0.8	V
C _{IN}	SMBus/I ² C input capacitance			5		pF
f _{SCL}	SMBus/I ² C clock frequency	DA package	10		100	kHz
		DN package	10		400	kHz
t _{timeout}	SMBus timeout		25		50	ms
V _{HV}	Allowable voltage on pin A0				10	V
L _{AO}	Leakage on pin A0	In overvoltage state		500		μA
V _{OL2}	Low level voltage SDA	I _{OL} = 6 mA			0.6	V
Z _{AIL}	(A0, A1, A2) input impedance	V _{IN} < 0.3 V _{CC}	30			kΩ
Z _{AIH}	(A0, A1, A2) input Impedance	V _{IN} > 0.7 V _{CC}	800			kΩ
T _A	Ambient operating temperature ⁽³⁾	DA package	-40		85	°C
		DN package	-40		125	°C

1. Guaranteed operating temperature for DA package: T_A = -40 °C to 85 °C and for DN package: T_A = -40 °C to 125 °C; V_{DD} = 2.7 V to 3.6 V (except where noted).

2. Typical numbers taken at V_{DD} = 3.3 V, T_A = 25 °C.

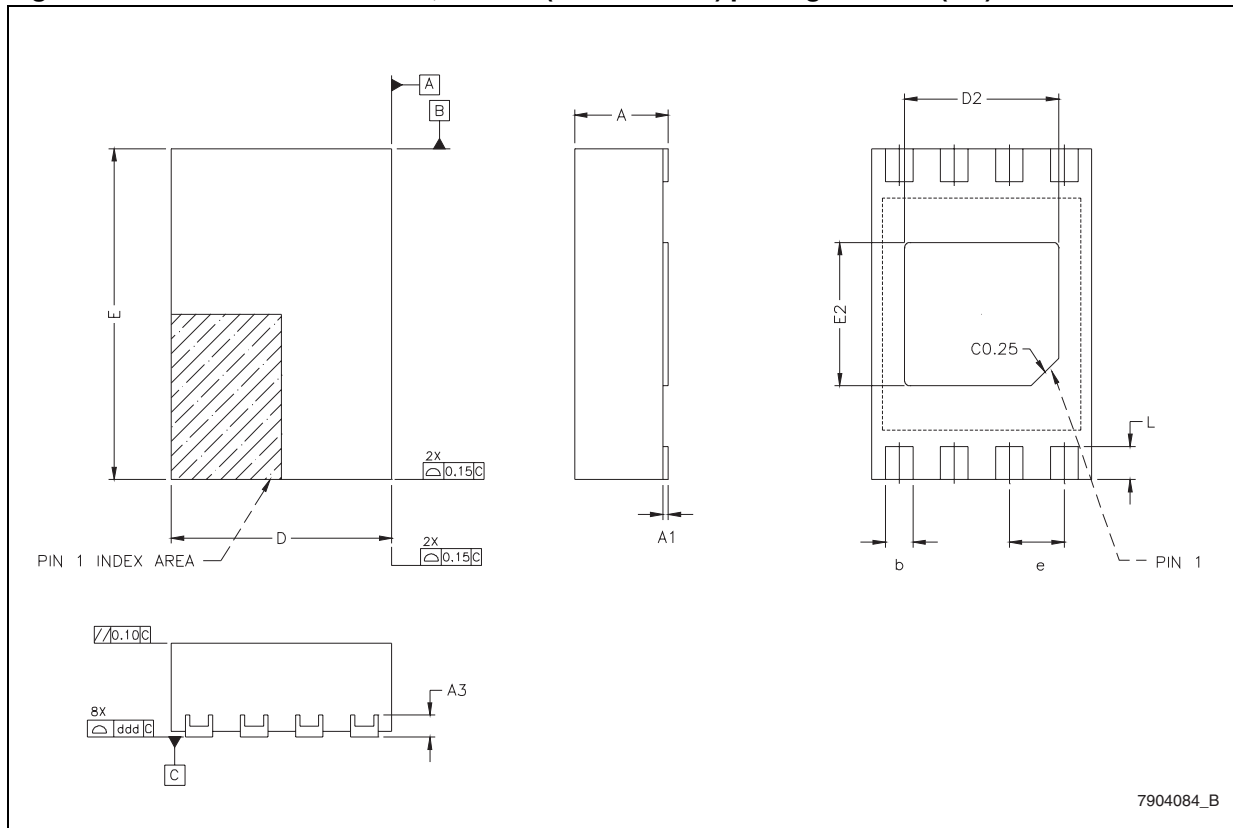
3. DN is TDFN package max 0.80 mm height.
DA is DFN package max 0.90 mm height.

4. Contact local ST sales office for availability.

9 Package mechanical data

In order to meet environmental requirements, ST offers these devices in different grades of ECOPACK[®] packages, depending on their level of environmental compliance. ECOPACK[®] specifications, grade definitions and product status are available at: www.st.com. ECOPACK[®] is an ST trademark.

Figure 15. DFN8 – 8-lead dual flat, no-lead (2 mm x 3 mm) package outline (DA)

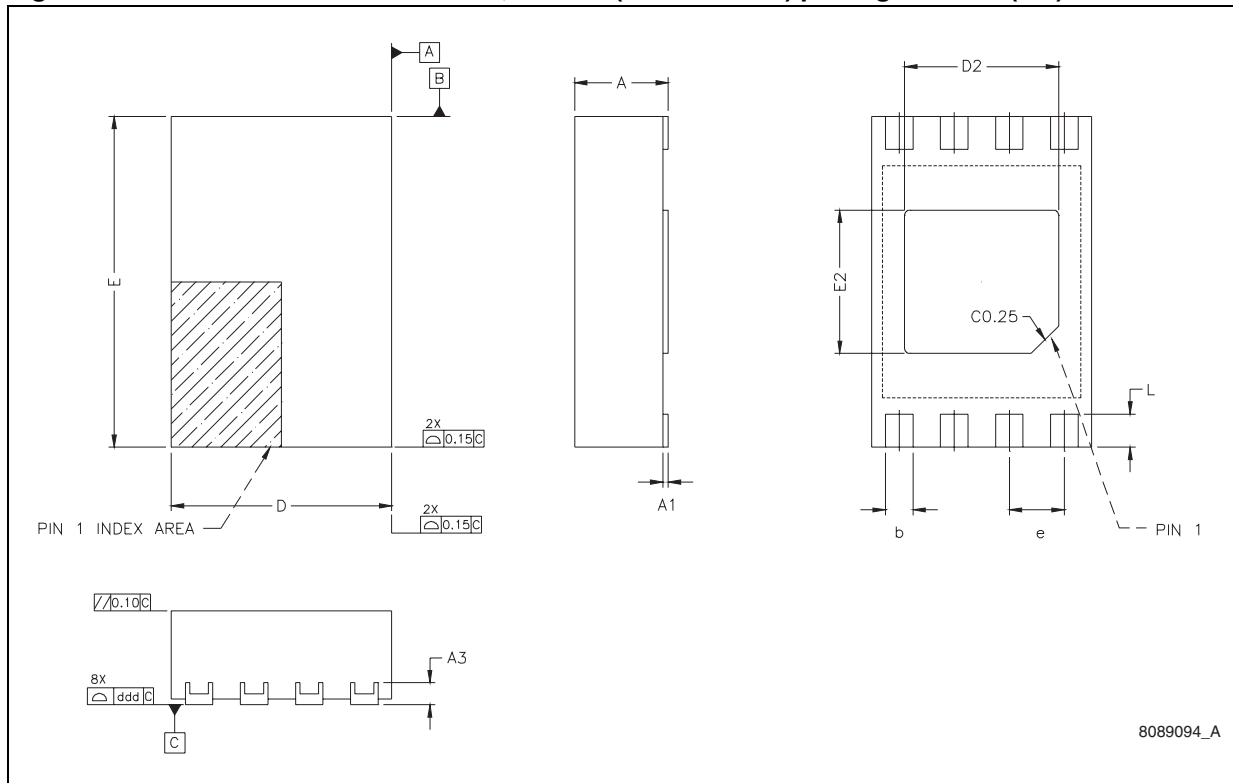


1. Drawing is not to scale.

Table 28. DFN8 – 8-lead dual flat, no-lead (2 mm x 3 mm) mechanical data (DA)

Sym	mm			inches		
	Min	Typ	Max	Min	Typ	Max
A	0.80	0.85	0.90	0.031	0.033	0.035
A1	0.00	0.00	0.05	0.000	0.000	0.002
A3		0.20			0.008	
b	0.20	0.25	0.30	0.008	0.010	0.012
D	1.95	2.00	2.05	0.077	0.079	0.081
D2	1.35	1.40	1.45	0.053	0.055	0.057
E	2.95	3.00	3.05	0.116	0.118	0.120
E2	1.25	1.30	1.35	0.049	0.051	0.053
e		0.50			0.020	
L	0.20	0.30	0.40	0.008	0.012	0.016
ddd			0.08			0.003

Figure 16. TDFN8 – 8-lead thin dual flat, no-lead (2 mm x 3 mm) package outline (DN)



Note: JEDEC MO-229, variation WCED-3 proposal

Table 29. TDFN8 – 8-lead thin dual flat, no-lead (2 mm x 3 mm) mechanical data (DN)

Sym	mm			inches		
	Min	Typ	Max	Min	Typ	Max
A	0.70	0.75	0.80	0.028	0.030	0.031
A1	0.00	0.00	0.05	0.000	0.000	0.002
A3		0.20			0.008	
b	0.20	0.25	0.30	0.008	0.010	0.012
D	1.95	2.00	2.05	0.077	0.079	0.081
D2	1.35	1.40	1.45	0.053	0.055	0.057
E	2.95	3.00	3.05	0.116	0.118	0.120
E2	1.25	1.30	1.35	0.049	0.051	0.053
e		0.50			0.020	
L	0.30	0.35	0.40	0.012	0.014	0.016
ddd			0.08			0.003

Note: JEDEC MO-229, variation WCED-3 proposal

Figure 17. Carrier tape for DFN8 and TDFN8 packages

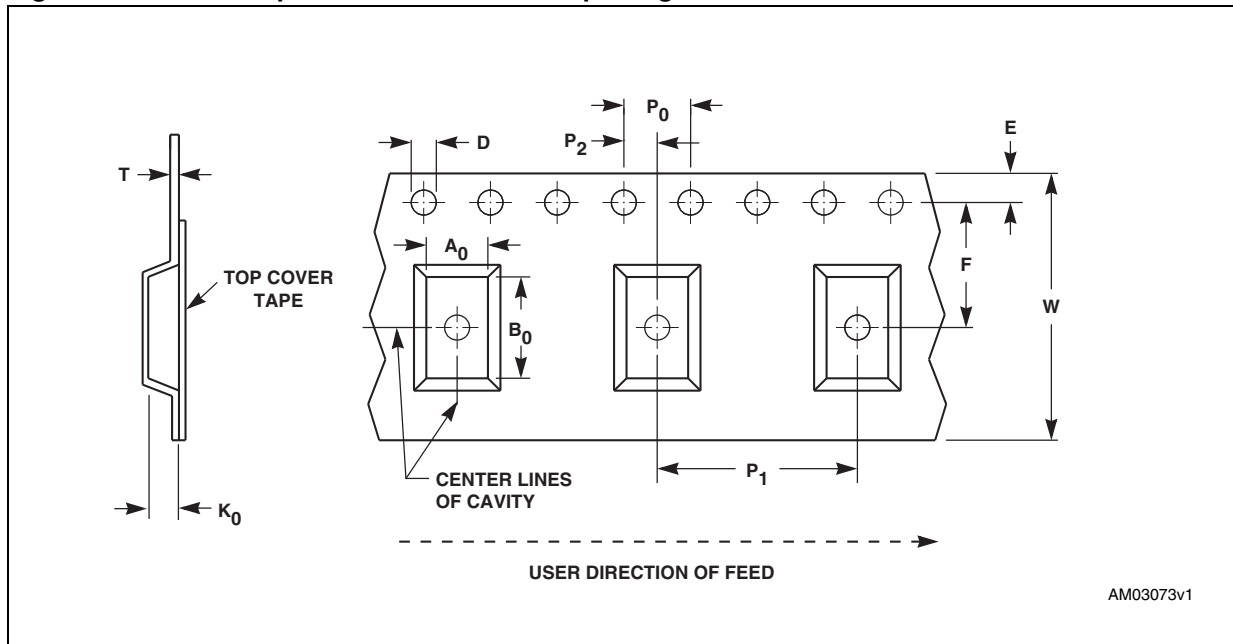


Table 30. Carrier tape dimensions for DFN8 and TDFN8 packages

Package	W	D	E	P ₀	P ₂	F	A ₀	B ₀	K ₀	P ₁	T	Unit	Bulk Qty
DFN8	8.00 +0.30 -0.10	1.50 +0.10/ -0.00	1.75 ±0.10	4.00 ±0.10	2.00 ±0.10	3.50 ±0.05	2.30 ±0.10	2.80 ±0.10	1.10 ±0.01	4.00 ±0.10	0.30 ±0.05	mm	3000
TDFN8	8.00 +0.30 -0.10	1.50 +0.10/ -0.00	1.75 ±0.10	4.00 ±0.10	2.00 ±0.10	3.50 ±0.05	2.30 ±0.10	3.20 ±0.10	1.10 ±0.10	4.00 ±0.10	0.30 ±0.05	mm	3000

Figure 18. Reel schematic

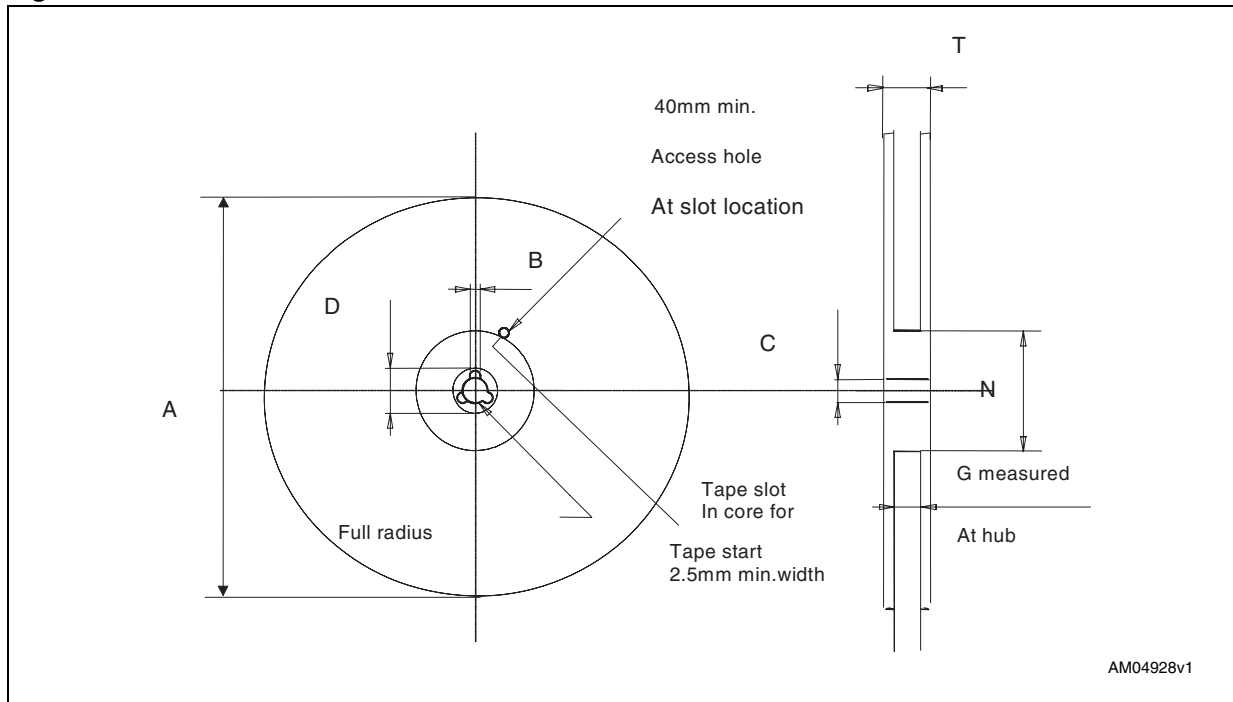


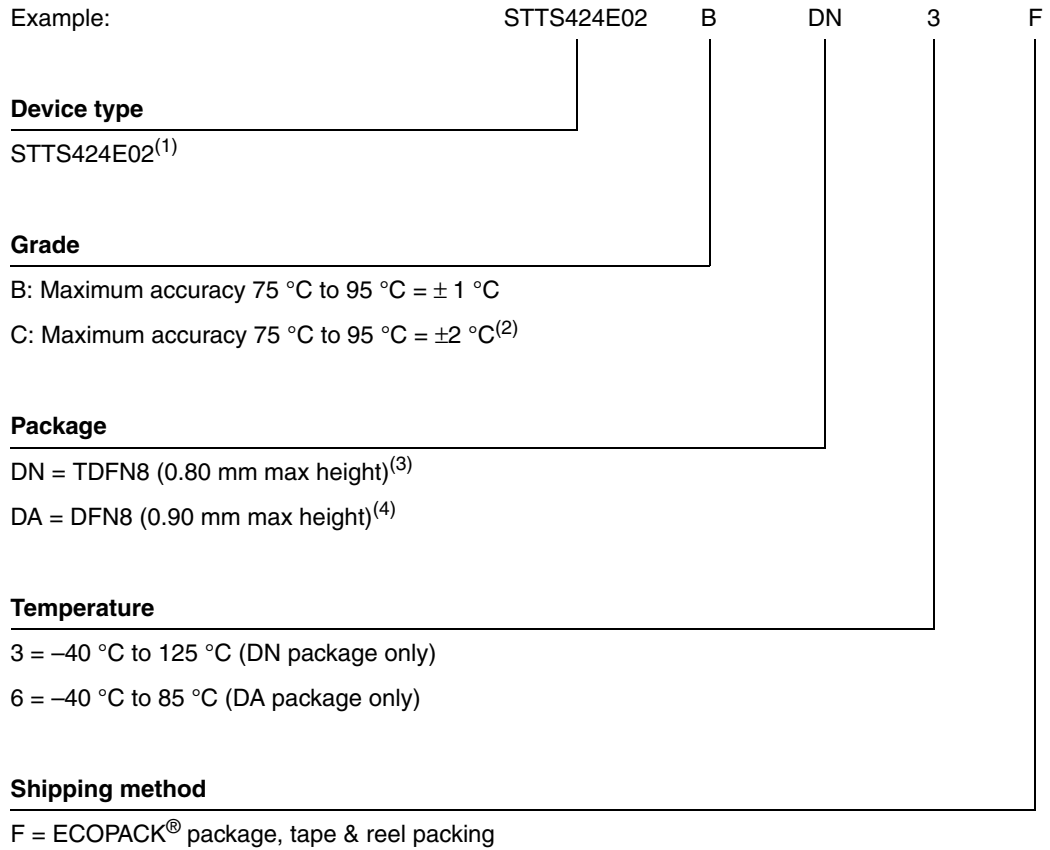
Table 31. Reel dimensions for 8 mm carrier tape - TDFN8 and DFN8 packages

A (max)	B (min)	C	D (min)	N (min)	G	T (max)
180 mm (7-inch)	1.5 mm	13 mm ± 0.2 mm	20.2 mm	60 mm	8.4 mm + 2/-0 mm	14.4 mm

The dimensions given in [Table 31](#) incorporate tolerances that cover all variations on critical parameters.

10 Part numbering

Table 32. Ordering information scheme

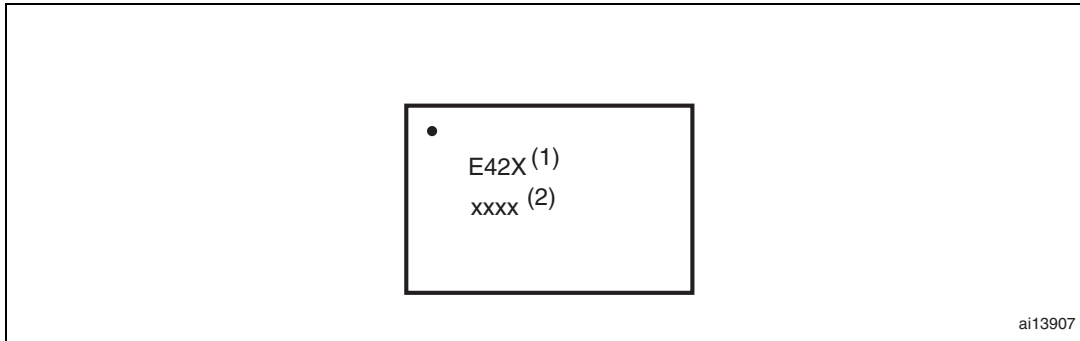


1. Not recommended for new design (refer to the STTS2002 as drop-in replacement). Contact ST sales office for availability.
2. Contact local ST sales office for availability.
3. DN package is only available in B accuracy grade and in temperature grade 3.
4. DA package available only in temperature grade 6.

For other options, or for more information on any aspect of this device, please contact the ST sales office nearest you.

11 Package marking information

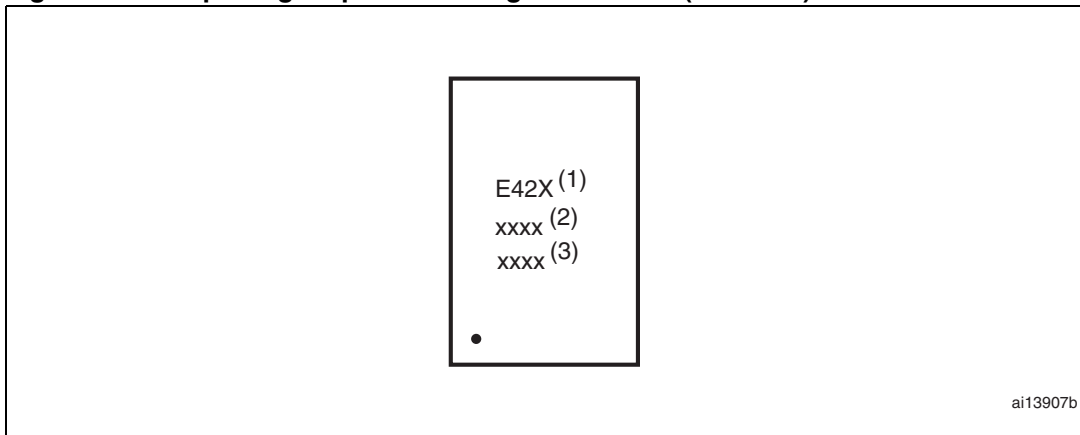
Figure 19. DA package topside marking information (DFN-8L)



- 1. Option codes:
X = B or C accuracy grade. For example, E42C is C-grade.
- 2. Traceability codes

Note: Contact local ST sales office for availability.

Figure 20. DN package topside marking information (TDFN-8L)



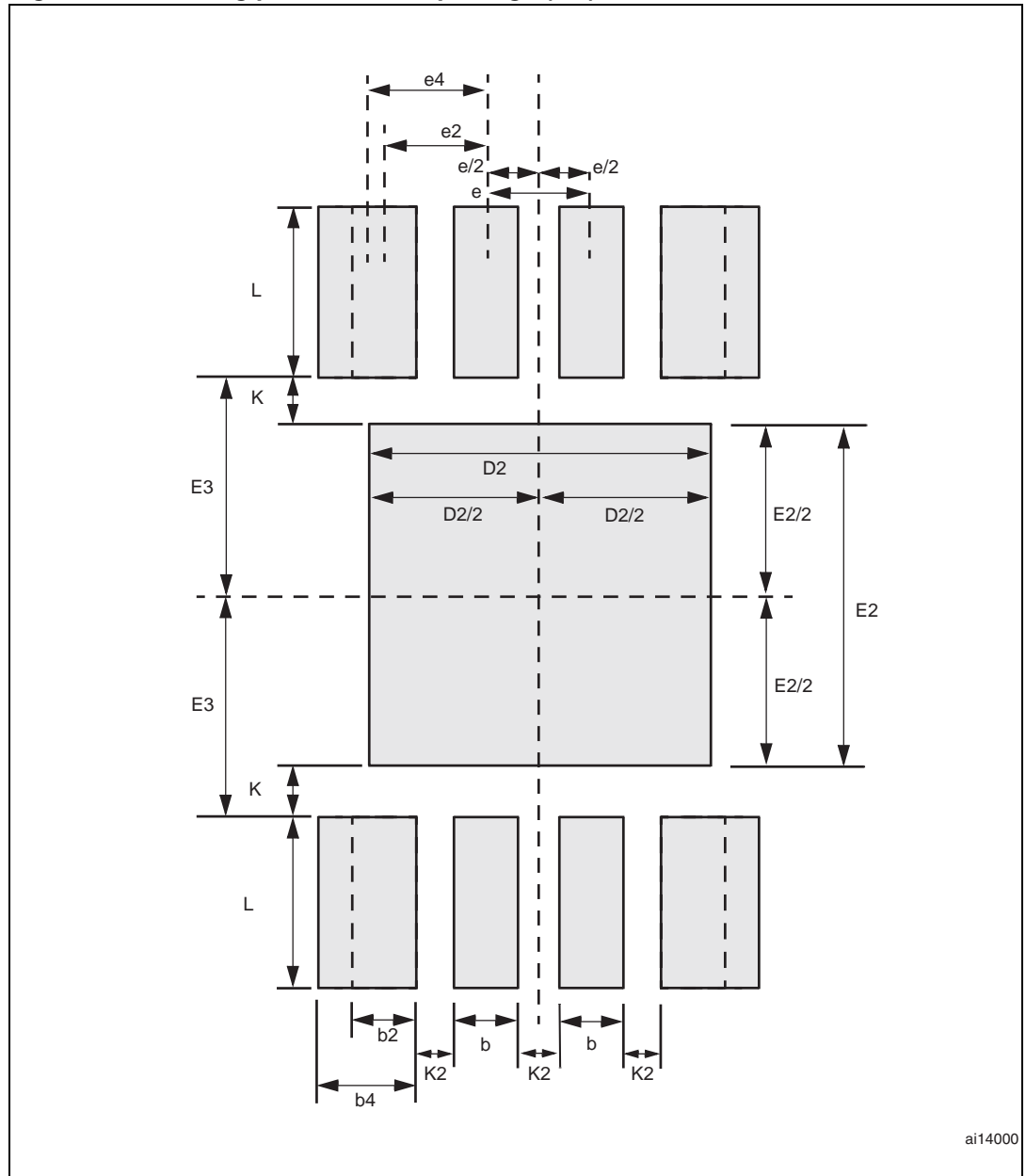
- 1. Option codes:
X = B or C accuracy grade. For example, E42C is C-grade.
- 2. Package/fab code identifier
- 3. Traceability codes

12 Landing pattern

The landing pattern recommendations per the JEDEC proposal for the TDFN package (DN) are shown in [Figure 21](#).

The preferred implementation with wide corner pads enhances device centering during assembly, but a narrower option is defined for modules with tight routing requirements.

Figure 21. Landing pattern - TDFN package (DN)



[Table 33](#) lists variations of landing pattern implementations, ranked as “Preferred” and “Minimum Acceptable” based on the JEDEC proposal.

Table 33. Parameters for landing pattern - TDFN package (DN)

Parameter	Description	Dimension		
		Min	Nom	Max
D2	Heat paddle width	1.40	-	1.60
E2	Heat paddle height	1.40	-	1.60
E3	Heat paddle centerline to contact inner locus	1.00	-	-
L	Contact length	0.70	-	0.80
K	Heat paddle to contact keepout	0.20	-	-
K2	Contact to contact keepout	0.20	-	-
e	Contact centerline to contact centerline pitch for inner contacts	-	0.50	-
b	Contact width for inner contacts	0.25	-	0.30
e2	Landing pattern centerline to outer contact centerline, “minimum acceptable” option ⁽¹⁾	-	0.50	-
b2	Corner contact width, “minimum acceptable option” ⁽¹⁾	0.25	-	0.30
e4	Landing pattern centerline to outer contact centerline, “preferred” option ⁽²⁾	-	0.60	-
b4	Corner contact width, “preferred” option ⁽²⁾	0.45	-	0.50

1. Minimum acceptable option to be used when routing prevents preferred width contact.
2. Preferred option to be used when possible.

13 Revision history

Table 34. Document revision history

Date	Revision	Changes
13-Apr-2007	1	Initial release.
09-May-2007	2	Updated Table 3 , 5 , 6 , 7 , 27 , 28 and 32 .
04-Jun-2007	3	Updated Table 27 .
02-Jul-2007	4	Added POR threshold values to Table 27 , updated Table 28 .
18-Mar-2008	5	Added TDFN package (cover page, Figure 16 , Table 29) and landing pattern recommendations (Figure 21 , Table 33); updated Section 1 , 2 , Table 2 , 3 , 5 , 6 , 7 , 11 , 19 , 25 , 27 , 28 , 29 , 32 , Figure 2 , 15 , 19 , 20 .
12-Jun-2008	6	Updated cover page, Figure 4 , 5 , 8 , 14 ; Section 4.3.1 , Section 5.4.1 ; Table 5 , 11 , 25 , 27 , 32 ; added Figure 6 ; removed TSSOP8 package throughout datasheet.
08-Oct-2009	7	Reformatted document; added tape and reel specifications (Figure 17 , Table 30); updated Features , text in Section 1 , Section 3.1 , Section 3.3 , Section 5.3 , Section 5.4.2 , Section 5.5.2 , Section 5.5.3 , Section 9 ; updated Figure 5 , 16 , 19 , 20 , Table 2 , 7 , 9 , 11 , 13 , 21 , 25 , 26 , 27 , 29 , 32 .
12-Oct-2010	8	Device is not recommended for new design; updated document status, cover page, Table 32 , Figure 19 , 20 ; added Figure 18 , Table 31 .

Please Read Carefully:

Information in this document is provided solely in connection with ST products. STMicroelectronics NV and its subsidiaries ("ST") reserve the right to make changes, corrections, modifications or improvements, to this document, and the products and services described herein at any time, without notice.

All ST products are sold pursuant to ST's terms and conditions of sale.

Purchasers are solely responsible for the choice, selection and use of the ST products and services described herein, and ST assumes no liability whatsoever relating to the choice, selection or use of the ST products and services described herein.

No license, express or implied, by estoppel or otherwise, to any intellectual property rights is granted under this document. If any part of this document refers to any third party products or services it shall not be deemed a license grant by ST for the use of such third party products or services, or any intellectual property contained therein or considered as a warranty covering the use in any manner whatsoever of such third party products or services or any intellectual property contained therein.

UNLESS OTHERWISE SET FORTH IN ST'S TERMS AND CONDITIONS OF SALE ST DISCLAIMS ANY EXPRESS OR IMPLIED WARRANTY WITH RESPECT TO THE USE AND/OR SALE OF ST PRODUCTS INCLUDING WITHOUT LIMITATION IMPLIED WARRANTIES OF MERCHANTABILITY, FITNESS FOR A PARTICULAR PURPOSE (AND THEIR EQUIVALENTS UNDER THE LAWS OF ANY JURISDICTION), OR INFRINGEMENT OF ANY PATENT, COPYRIGHT OR OTHER INTELLECTUAL PROPERTY RIGHT.

UNLESS EXPRESSLY APPROVED IN WRITING BY AN AUTHORIZED ST REPRESENTATIVE, ST PRODUCTS ARE NOT RECOMMENDED, AUTHORIZED OR WARRANTED FOR USE IN MILITARY, AIR CRAFT, SPACE, LIFE SAVING, OR LIFE SUSTAINING APPLICATIONS, NOR IN PRODUCTS OR SYSTEMS WHERE FAILURE OR MALFUNCTION MAY RESULT IN PERSONAL INJURY, DEATH, OR SEVERE PROPERTY OR ENVIRONMENTAL DAMAGE. ST PRODUCTS WHICH ARE NOT SPECIFIED AS "AUTOMOTIVE GRADE" MAY ONLY BE USED IN AUTOMOTIVE APPLICATIONS AT USER'S OWN RISK.

Resale of ST products with provisions different from the statements and/or technical features set forth in this document shall immediately void any warranty granted by ST for the ST product or service described herein and shall not create or extend in any manner whatsoever, any liability of ST.

ST and the ST logo are trademarks or registered trademarks of ST in various countries.

Information in this document supersedes and replaces all information previously supplied.

The ST logo is a registered trademark of STMicroelectronics. All other names are the property of their respective owners.

© 2010 STMicroelectronics - All rights reserved

STMicroelectronics group of companies

Australia - Belgium - Brazil - Canada - China - Czech Republic - Finland - France - Germany - Hong Kong - India - Israel - Italy - Japan - Malaysia - Malta - Morocco - Philippines - Singapore - Spain - Sweden - Switzerland - United Kingdom - United States of America

www.st.com