

## Quad, Serial Input, 12-Bit, Voltage Output DIGITAL-TO-ANALOG CONVERTER

### FEATURES

- **LOW POWER:** 3mW
- **SETTLING TIME:** 10 $\mu$ s to 0.012%
- **12-BIT LINEARITY AND MONOTONICITY:** -40°C to +85°C
- **USER SELECTABLE RESET TO MID-SCALE OR ZERO-SCALE**
- **SECOND-SOURCE** for DAC8420
- **SO-16 or SSOP-20 PACKAGES**
- **SINGLE SUPPLY +3V OPERATION**

### APPLICATIONS

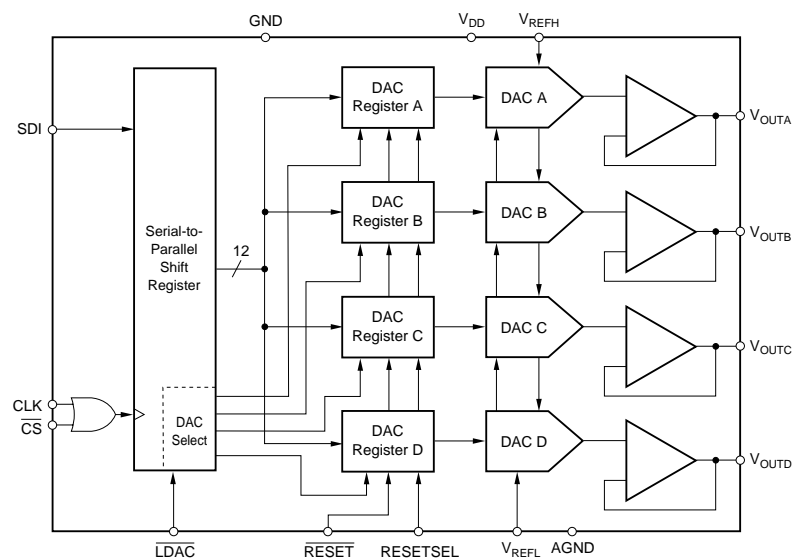
- **ATE PIN ELECTRONICS**
- **PROCESS CONTROL**
- **CLOSED-LOOP SERVO-CONTROL**
- **MOTOR CONTROL**
- **DATA ACQUISITION SYSTEMS**
- **DAC-PER-PIN PROGRAMMERS**

### DESCRIPTION

The DAC7616 is a quad, serial input, 12-bit, voltage output Digital-to-Analog Converter (DAC) with guaranteed 12-bit monotonic performance over the -40°C to +85°C temperature range. An asynchronous reset clears all registers to either mid-scale (800<sub>H</sub>) or zero-scale (000<sub>H</sub>), selectable via the RESETSEL pin. The device is powered from a single +3V supply.

for process control, data acquisition systems, and closed-loop servo-control. The device is available in SO-16 or SSOP-20 packages, and is guaranteed over the -40°C to +85°C temperature range.

Low power and small size makes the DAC7616 ideal



# SPECIFICATIONS

At  $T_A = -40^{\circ}\text{C}$  to  $+85^{\circ}\text{C}$ ,  $V_{DD} = +3\text{V}$ ,  $V_{REFH} = +1.25\text{V}$ , and  $V_{REFL} = 0\text{V}$ , unless otherwise noted.

| PARAMETER  | CONDITIONS  | DAC7616E, U                |                             |  | DAC7616EB, UB |     |  | UNITS   |
|--|---|----------------------------|-----------------------------|--|---------------|-----|--|---|
|  |   | MIN                        | TYP                         | MAX  | MIN           | TYP | MAX  |   |
| <b>ACCURACY</b><br>Linearity Error <sup>(1)</sup><br>Linearity Matching <sup>(3)</sup><br>Differential Linearity Error<br>Monotonicity<br>Zero-Scale Error<br>Zero-Scale Drift<br>Zero-Scale Matching <sup>(3)</sup><br>Full-Scale Error<br>Full-Scale Matching <sup>(3)</sup><br>Power Supply Rejection | Code = 00A <sub>H</sub><br><br>Code = FFF <sub>H</sub>                      | 12                         |                             | ±2<br>±2<br>±1<br><br>±2.4<br>10<br>±1<br>±2<br>±2.4<br>±1<br>±2 | *             |     | ±1<br>±1<br>±1<br><br>*<br>*<br>*<br>±1.2<br>*<br>±1.2 | LSB <sup>(2)</sup><br>LSB<br>LSB<br>Bits<br>mV<br>ppm/°C<br>mV<br>mV<br>mV<br>ppm/V |
| <b>ANALOG OUTPUT</b><br>Voltage Output <sup>(4)</sup><br>Output Current<br>Load Capacitance<br>Short-Circuit Current<br>Short-Circuit Duration   | No Oscillation  | $V_{REFL}$<br>-625         | 100<br>+8, -2<br>Indefinite | $V_{REFH}$<br>+625   | *             |     | *  | V<br>μA<br>pF<br>mA   |
| <b>REFERENCE INPUT</b><br>$V_{REFH}$ Input Range<br>$V_{REFL}$ Input Range   |   | 0<br>0                     |                             | +1.25  | *             |     | *  | V<br>V  |
| <b>DYNAMIC PERFORMANCE</b><br>Settling Time<br>Channel-to-Channel Crosstalk<br><br>Output Noise Voltage  | To ±0.012%<br>Full-Scale Step<br>On Any Other DAC<br>Bandwidth: 0Hz to 1MHz |                            | 5<br>0.1<br>65              | 10   |               | *   | *  | μs<br>LSB<br><br>nV/√Hz   |
| <b>DIGITAL INPUT/OUTPUT</b><br>Logic Family<br>Logic Levels<br>$V_{IH}$<br>$V_{IL}$<br>Data Format   | $ I_{IH}  \leq 10\mu\text{A}$<br>$ I_{IL}  \leq 10\mu\text{A}$              | $V_{DD} \cdot 0.7$<br>-0.3 | CMOS<br><br>Straight Binary | $V_{DD}$<br>$V_{DD} \cdot 0.3$                                   | *             |     | *  | V<br>V  |
| <b>POWER SUPPLY REQUIREMENTS</b><br>$V_{DD}$<br>$I_{DD}$<br>Power Dissipation  |   | 3.0                        | 3.3<br>0.8<br>2.4           | 3.6<br>1<br>3  | *             | *   | *  | V<br>mA<br>mW   |
| <b>TEMPERATURE RANGE</b><br>Specified Performance  |   | -40                        |                             | +85  | *             |     | *  | °C  |

\* Specification same as DAC7616E, U.

NOTES: (1) Specification applies at code 00A<sub>H</sub> and above. (2) LSB means Least Significant Bit, with  $V_{REFH}$  equal to +1.25V and  $V_{REFL}$  equal to 0V, one LSB is 0.305mV. (3) All DAC outputs will match within the specified error band. (4) Ideal output voltage does not take into account zero or full-scale error.

## ABSOLUTE MAXIMUM RATINGS<sup>(1)</sup>

|  |                                   |
|--|-----------------------------------|
| V <sub>DD</sub> to GND .....                 | -0.3V to +5.5V                    |
| V <sub>REFL</sub> to GND .....               | -0.3V to (V <sub>DD</sub> + 0.3V) |
| V <sub>DD</sub> to V <sub>REFH</sub> .....   | -0.3V to V <sub>DD</sub>          |
| V <sub>REFH</sub> to V <sub>REFL</sub> ..... | -0.3V to V <sub>DD</sub>          |
| Digital Input Voltage to GND .....           | -0.3V to V <sub>DD</sub> + 0.3V   |
| Maximum Junction Temperature .....           | +150°C                            |
| Operating Temperature Range .....            | -40°C to +85°C                    |
| Storage Temperature Range .....              | -65°C to +150°C                   |
| Lead Temperature (soldering, 10s) .....      | +300°C                            |

NOTE: (1) Stresses above those listed under "Absolute Maximum Ratings" may cause permanent damage to the device. Exposure to absolute maximum conditions for extended periods may affect device reliability.



## ELECTROSTATIC DISCHARGE SENSITIVITY

This integrated circuit can be damaged by ESD. Texas Instruments recommends that all integrated circuits be handled with appropriate precautions. Failure to observe proper handling and installation procedures can cause damage.

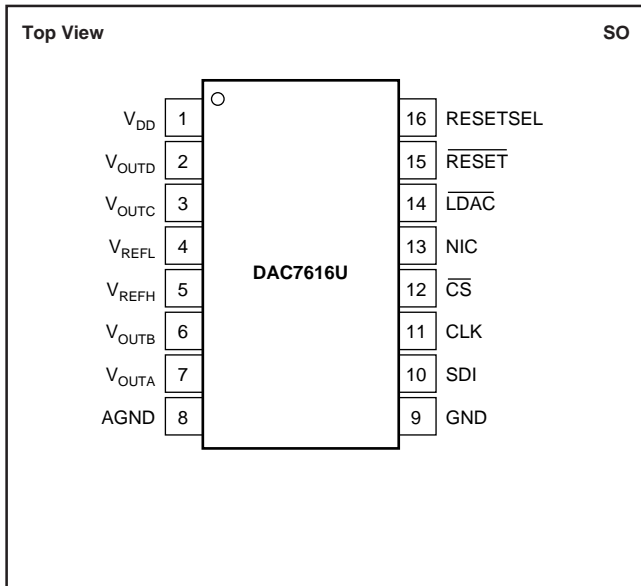
ESD damage can range from subtle performance degradation to complete device failure. Precision integrated circuits may be more susceptible to damage because very small parametric changes could cause the device not to meet its published specifications.

## PACKAGE/ORDERING INFORMATION

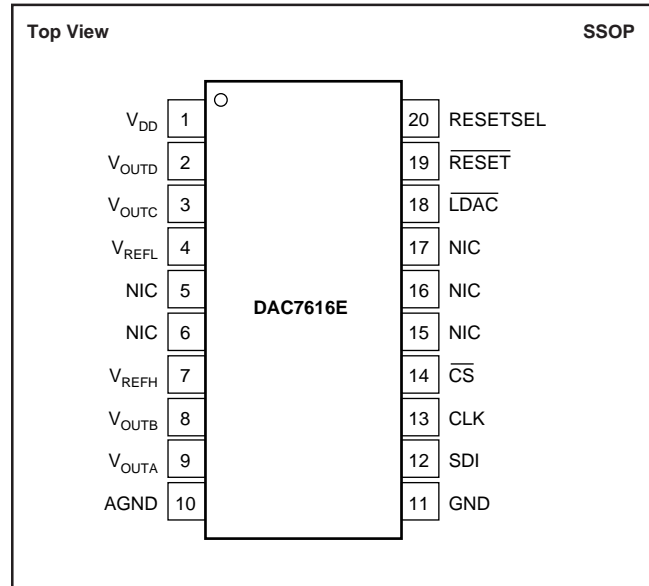
| PRODUCT        | MAXIMUM LINEARITY ERROR (LSB) | MAXIMUM DIFFERENTIAL LINEARITY (LSB) | PACKAGE      | PACKAGE DRAWING NUMBER | SPECIFICATION TEMPERATURE RANGE | ORDERING NUMBER <sup>(1)</sup> | TRANSPORT MEDIA        |
|----------------|-------------------------------|--------------------------------------|--------------|------------------------|---------------------------------|--------------------------------|------------------------|
| DAC7616U<br>"  | ±2<br>"                       | ±1<br>"                              | SO-16        | 211                    | -40°C to +85°C<br>"             | DAC7616U<br>DAC7616U/1K        | Rails<br>Tape and Reel |
| DAC7616UB<br>" | ±1<br>"                       | ±1<br>"                              | SO-16<br>"   | 211<br>"               | -40°C to +85°C<br>"             | DAC7616UB<br>DAC7616UB/1K      | Rails<br>Tape and Reel |
| DAC7616E<br>"  | ±2<br>"                       | ±1<br>"                              | SSOP-20<br>" | 334<br>"               | -40°C to +85°C<br>"             | DAC7616E<br>DAC7616E/1K        | Rails<br>Tape and Reel |
| DAC7616EB<br>" | ±1<br>"                       | ±1<br>"                              | SSOP-20<br>" | 334<br>"               | -40°C to +85°C<br>"             | DAC7616EB<br>DAC7616EB/1K      | Rails<br>Tape and Reel |

NOTES: (1) Models with a slash (/) are available only in Tape and Reel in the quantities indicated (e.g., /1K indicates 1000 devices per reel). Ordering 1000 pieces of "DAC7616EB/1K" will get a single 1000-piece Tape and Reel.

## PIN CONFIGURATION—U Package



## PIN CONFIGURATION—E Package



## PIN DESCRIPTIONS—U Package

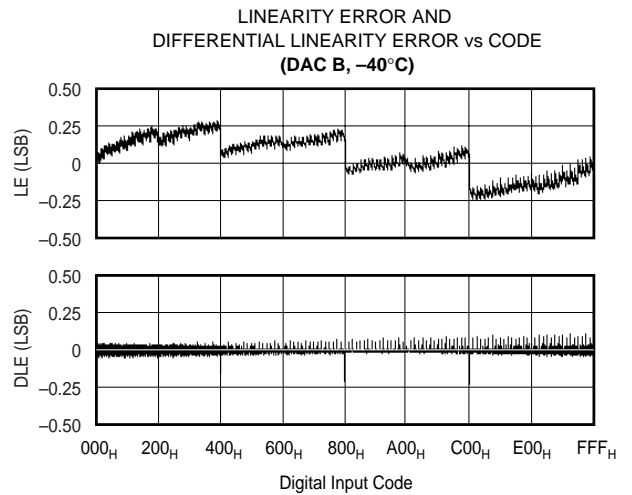
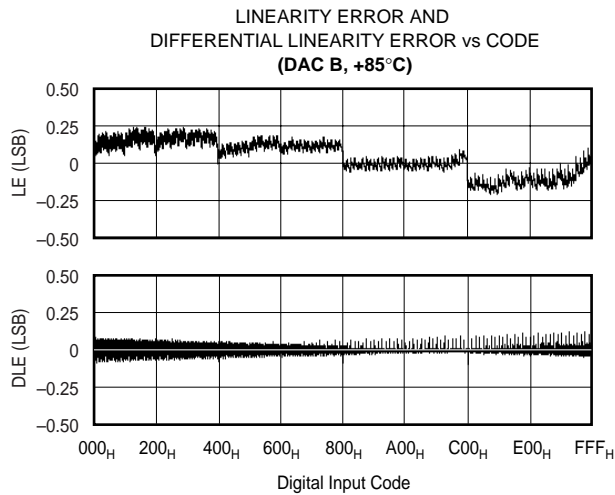
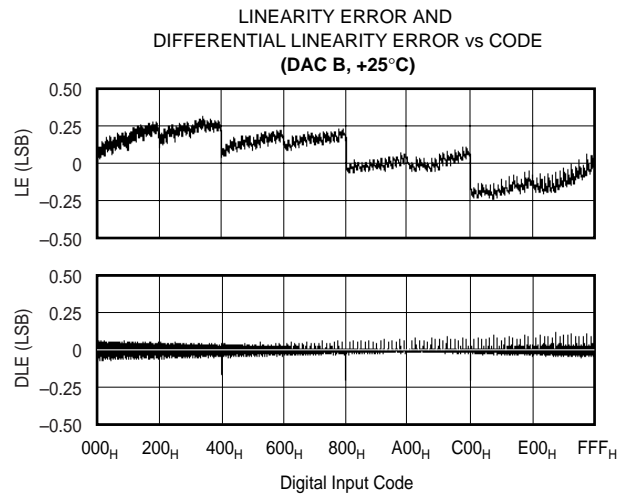
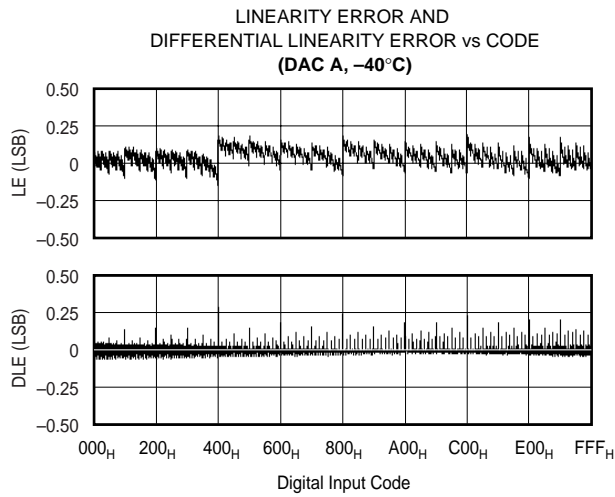
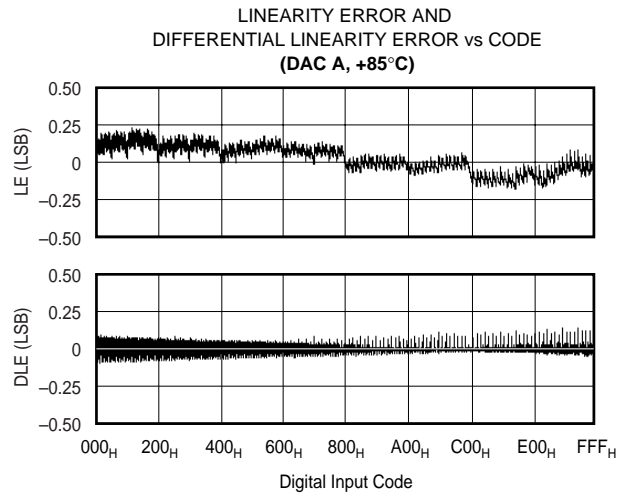
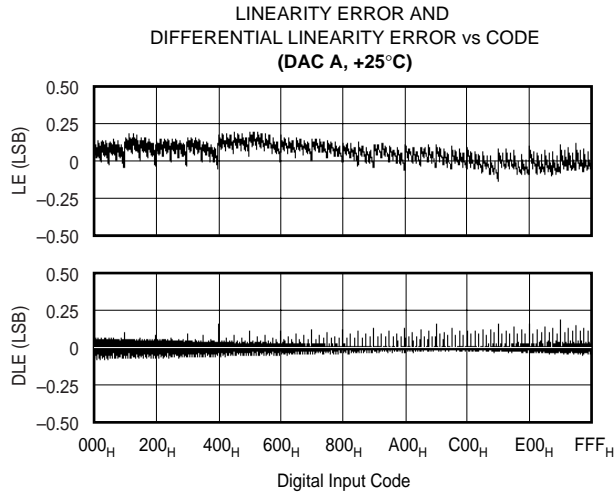
| PIN | LABEL             | DESCRIPTION  |
|-----|-------------------|--|
| 1   | V <sub>DD</sub>   | Positive Analog Supply Voltage, +3V nominal.   |
| 2   | V <sub>OUTD</sub> | DAC D Voltage Output   |
| 3   | V <sub>OUTC</sub> | DAC C Voltage Output   |
| 4   | V <sub>REFL</sub> | Reference Input Voltage Low. Sets minimum output voltage for all DACs.   |
| 5   | V <sub>REFH</sub> | Reference Input Voltage High. Sets maximum output voltage for all DACs.  |
| 6   | V <sub>OUTB</sub> | DAC B Voltage Output   |
| 7   | V <sub>OUTA</sub> | DAC A Voltage Output   |
| 8   | AGND              | Analog Ground  |
| 9   | GND               | Ground   |
| 10  | SDI               | Serial Data Input  |
| 11  | CLK               | Serial Data Clock  |
| 12  | CS                | Chip Select Input  |
| 13  | NIC               | Not Internally Connected.  |
| 14  | LDAC              | The selected DAC register becomes transparent when LDAC is LOW. It is in the latched state when LDAC is HIGH.  |
| 15  | RESET             | Asynchronous Reset Input. Sets all DAC registers to either zero-scale (000 <sub>H</sub> ) or mid-scale (800 <sub>H</sub> ) when LOW. RESETSEL determines which code is active.     |
| 16  | RESETSEL          | When LOW, a LOW on RESET will cause all DAC registers to be set to code 000 <sub>H</sub> . When RESETSEL is HIGH, a LOW on RESET will set the registers to code 800 <sub>H</sub> . |

## PIN DESCRIPTIONS—E Package

| PIN | LABEL             | DESCRIPTION  |
|-----|-------------------|--|
| 1   | V <sub>DD</sub>   | Positive Analog Supply Voltage, +3V nominal.   |
| 2   | V <sub>OUTD</sub> | DAC D Voltage Output   |
| 3   | V <sub>OUTC</sub> | DAC C Voltage Output   |
| 4   | V <sub>REFL</sub> | Reference Input Voltage Low. Sets minimum output voltage for all DACs.   |
| 5   | NIC               | Not Internally Connected.  |
| 6   | NIC               | Not Internally Connected.  |
| 7   | V <sub>REFH</sub> | Reference Input Voltage High. Sets maximum output voltage for all DACs.  |
| 8   | V <sub>OUTB</sub> | DAC B Voltage Output.  |
| 9   | V <sub>OUTA</sub> | DAC A Voltage Output.  |
| 10  | AGND              | Analog Ground  |
| 11  | GND               | Ground   |
| 12  | SDI               | Serial Data Input  |
| 13  | CLK               | Serial Data Clock  |
| 14  | CS                | Chip Select Input  |
| 15  | NIC               | Not Internally Connected.  |
| 16  | NIC               | Not Internally Connected.  |
| 17  | NIC               | Not Internally Connected.  |
| 18  | LDAC              | The selected DAC register becomes transparent when LDAC is LOW. It is in the latched state when LDAC is HIGH.  |
| 19  | RESET             | Asynchronous Reset Input. Sets all DAC registers to either zero-scale (000 <sub>H</sub> ) or mid-scale (800 <sub>H</sub> ) when LOW. RESETSEL determines which code is active.     |
| 20  | RESETSEL          | When LOW, a LOW on RESET will cause all DAC registers to be set to code 000 <sub>H</sub> . When RESETSEL is HIGH, a LOW on RESET will set the registers to code 800 <sub>H</sub> . |

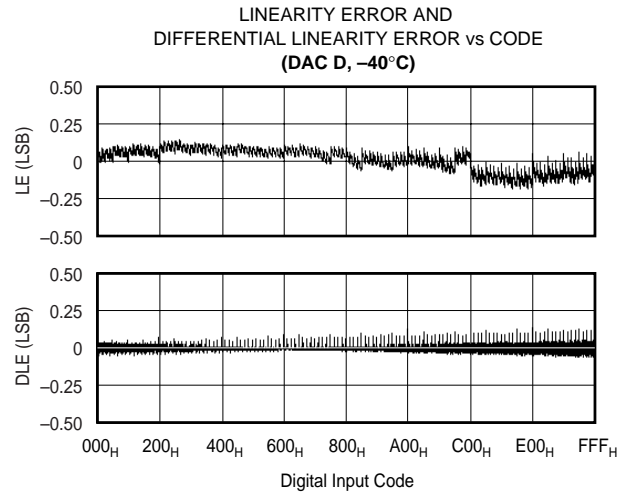
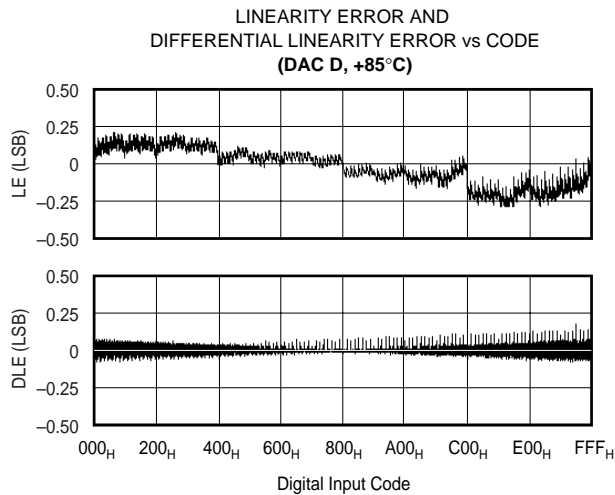
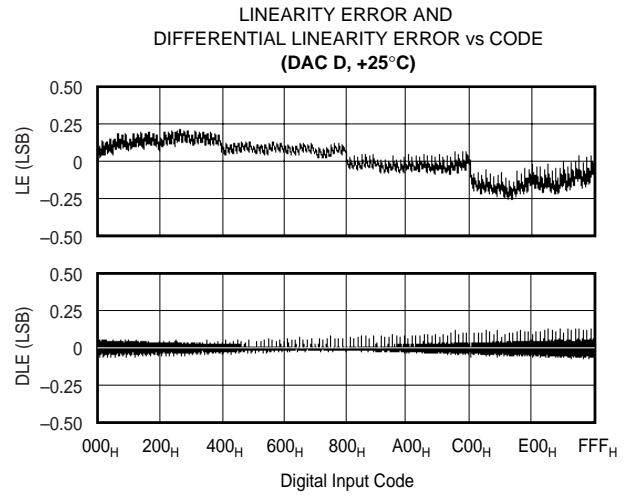
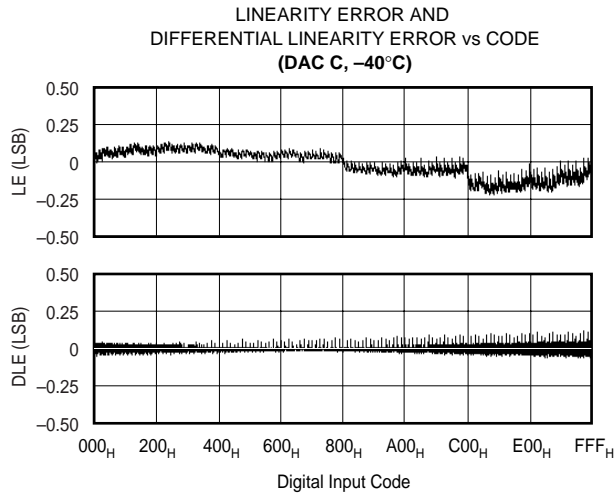
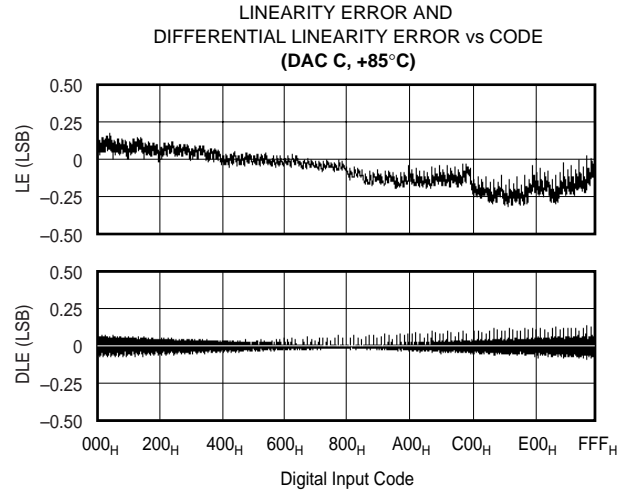
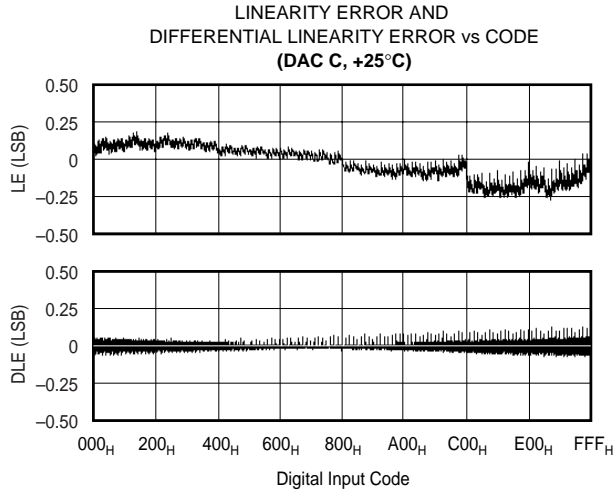
# TYPICAL PERFORMANCE CURVES

At  $T_A = +25^\circ\text{C}$ ,  $V_{DD} = +3\text{V}$ ,  $V_{REFH} = +1.25\text{V}$ , and  $V_{REFL} = 0\text{V}$ , representative unit, unless otherwise specified.



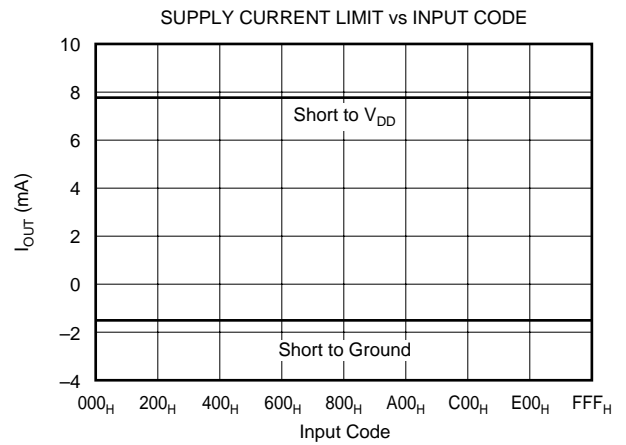
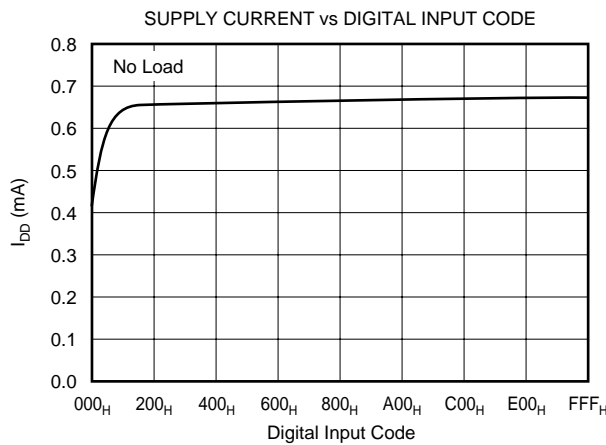
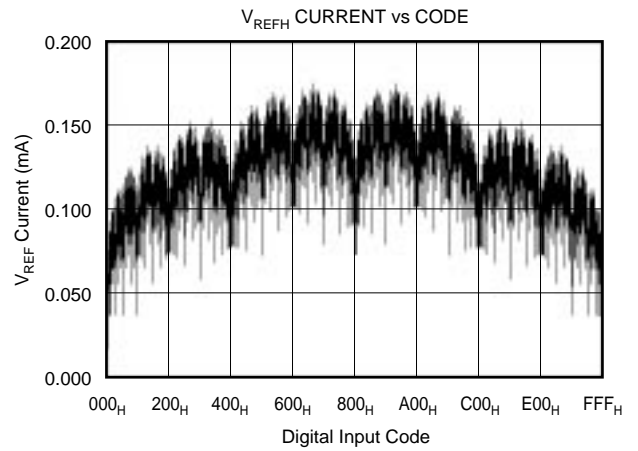
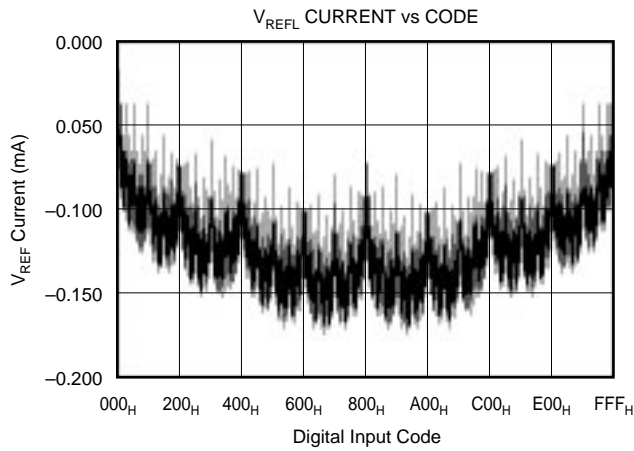
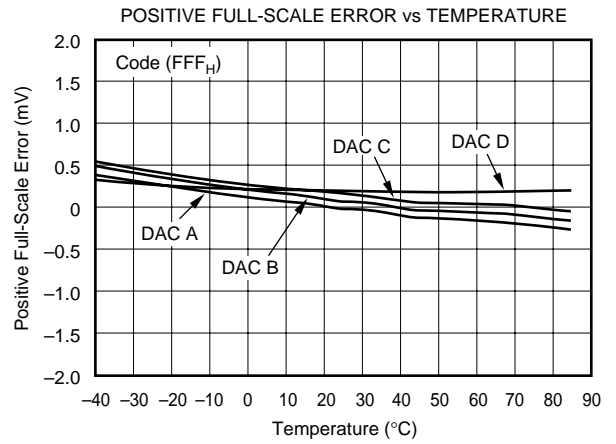
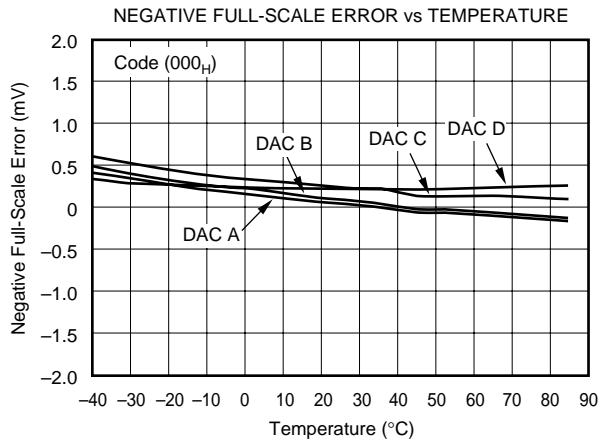
# TYPICAL PERFORMANCE CURVES

At  $T_A = +25^\circ\text{C}$ ,  $V_{DD} = +3\text{V}$ ,  $V_{REFH} = +1.25\text{V}$ , and  $V_{REFL} = 0\text{V}$ , representative unit, unless otherwise specified.



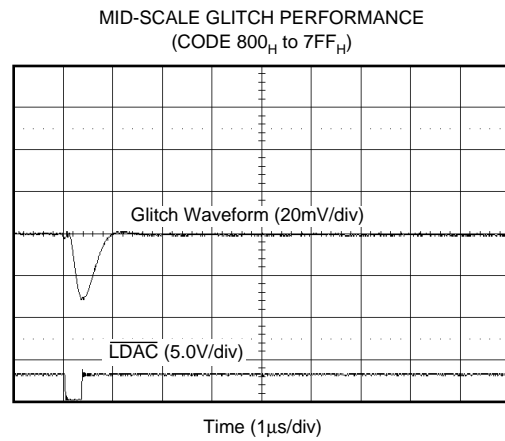
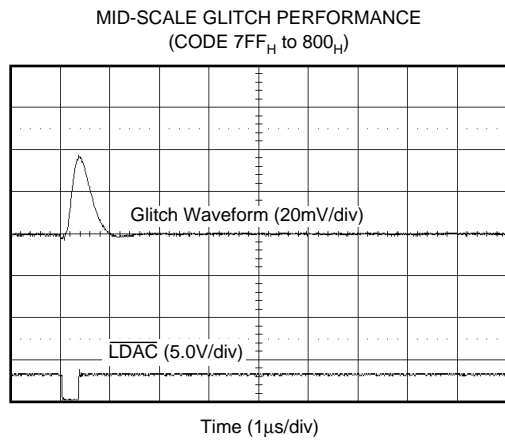
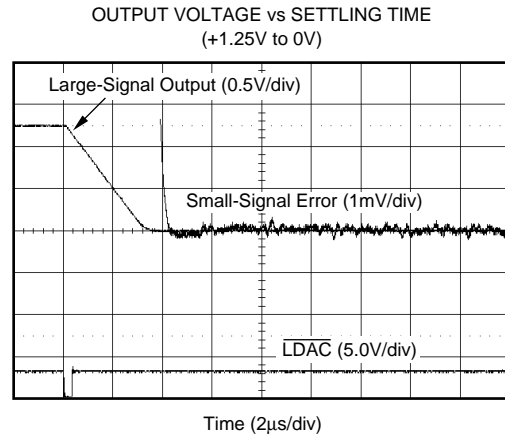
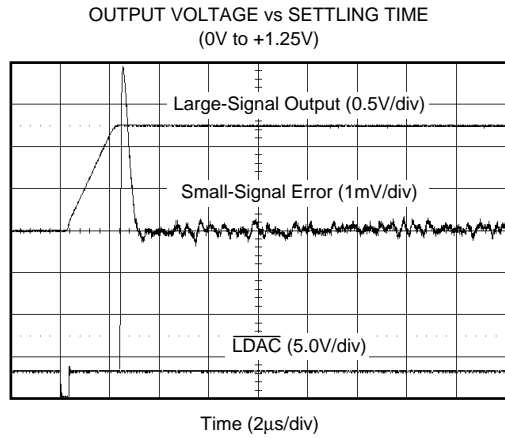
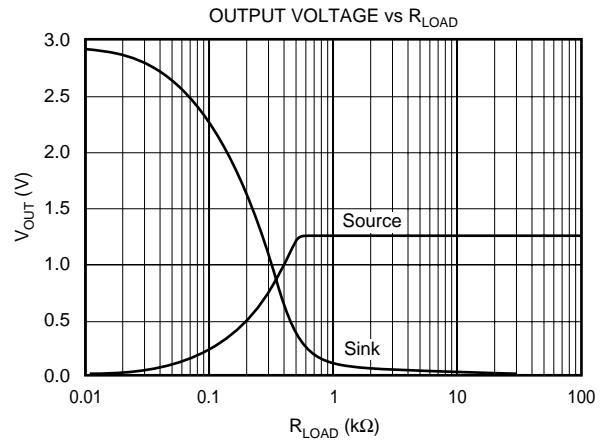
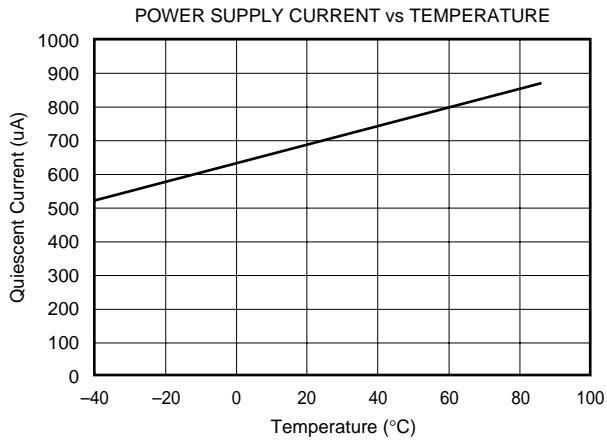
# TYPICAL PERFORMANCE CURVES

At  $T_A = +25^\circ\text{C}$ ,  $V_{DD} = +3\text{V}$ ,  $V_{REFH} = +1.25\text{V}$ , and  $V_{REFL} = 0\text{V}$ , representative unit, unless otherwise specified.



# TYPICAL PERFORMANCE CURVES

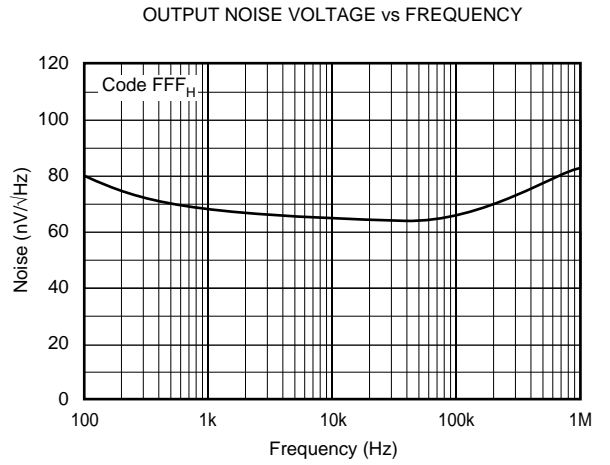
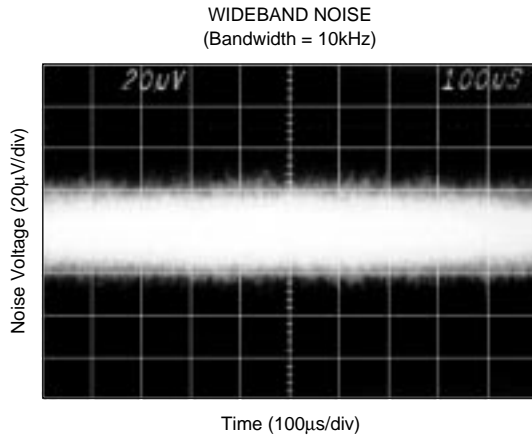
At  $T_A = +25^\circ\text{C}$ ,  $V_{DD} = +3\text{V}$ ,  $V_{REFH} = +1.25\text{V}$ , and  $V_{REFL} = 0\text{V}$ , representative unit, unless otherwise specified.





# TYPICAL PERFORMANCE CURVES

At  $T_A = +25^\circ\text{C}$ ,  $V_{DD} = +3\text{V}$ ,  $V_{REFH} = +1.25\text{V}$ , and  $V_{REFL} = 0\text{V}$ , representative unit, unless otherwise specified.



# THEORY OF OPERATION

The DAC7616 is a quad, serial input, 12-bit, voltage output DAC. The architecture is a classic R-2R ladder configuration followed by an operational amplifier that serves as a buffer. Each DAC has its own R-2R ladder network and output op amp, but all share the reference voltage inputs. The minimum voltage output (“zero-scale”) and maximum voltage output (“full-scale”) are set by external voltage references ( $V_{REFL}$  and  $V_{REFH}$ , respectively). The digital input is a 16-bit serial word that contains the 12-bit DAC code and a 2-bit address code that selects one of the four DACs (the two remaining bits are unused). The converter can be powered from a single +3V supply. Each device offers a reset function which immediately sets all DAC output voltages and internal registers to either zero-scale (code 000<sub>H</sub>) or mid-scale (code 800<sub>H</sub>). The reset code is selected by the state of the RESETSEL pin (LOW = 000<sub>H</sub>, HIGH = 800<sub>H</sub>). See Figure 1 for the basic operation of the DAC7616.

## ANALOG OUTPUTS

The output of the DAC7616 can swing to ground. Note that the settling time of the output op amp will be longer with voltages very near ground. Also, care must be taken when

measuring the zero-scale error. If the output amplifier has a negative offset, the output voltage may not change for the first few digital input codes (000<sub>H</sub>, 001<sub>H</sub>, 002<sub>H</sub>, etc.) since the output voltage cannot swing below ground.

The behavior of the output amplifier can be critical in some applications. Under short-circuit conditions (DAC output shorted to  $V_{DD}$ ), the output amplifier can sink more current than it can source. See the Specifications table for more details concerning short-circuit current.

## REFERENCE INPUTS

The minimum output of each DAC is equal to  $V_{REFL}$  plus a small offset voltage (essentially, the offset of the output op amp). The maximum output is equal to  $V_{REFH} - 1\text{LSB}$  plus a similar offset voltage.

The current into the reference inputs depends on the DAC output voltages and can vary from a few microamps to approximately 0.4 milliamp. Bypassing the reference voltage or voltages with a 0.1 $\mu\text{F}$  capacitor placed as close as possible to the DAC7616 package is strongly recommended.

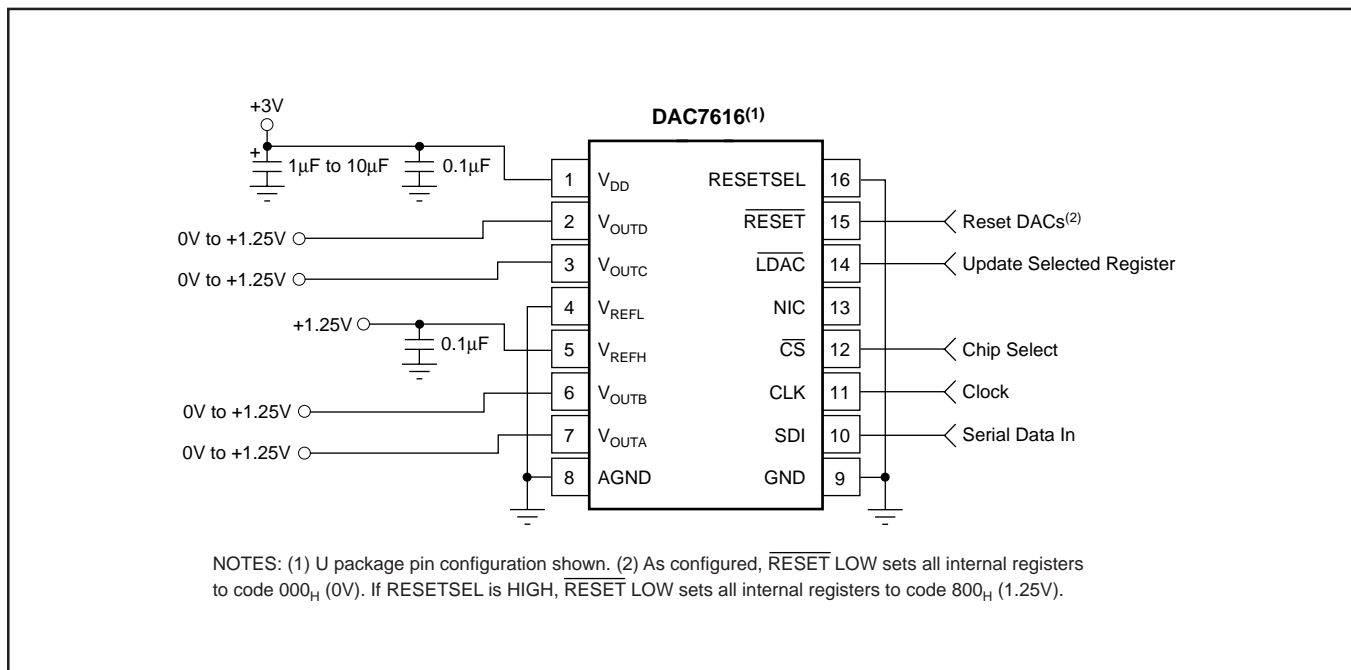


FIGURE 1. Basic Single-Supply Operation of the DAC7616.

## DIGITAL INTERFACE

Figure 2 and Table I provide the basic timing for the DAC7616. The interface consists of a serial clock (CLK), serial data (SDI), and a load DAC signal ( $\overline{\text{LDAC}}$ ). In addition, a chip select ( $\overline{\text{CS}}$ ) input is available to enable serial communication when there are multiple serial devices. An asynchronous reset input ( $\overline{\text{RESET}}$ ) is provided to simplify start-up conditions, periodic resets, or emergency resets to a known state.

| SYMBOL            | DESCRIPTION                                     | MIN | TYP | MAX | UNITS         |
|-------------------|---|-----|-----|-----|---------------|
| $t_{\text{DS}}$   | Data Valid to CLK Rising                        | 25  |     |     | ns            |
| $t_{\text{DH}}$   | Data Held Valid after CLK Rises                 | 20  |     |     | ns            |
| $t_{\text{CH}}$   | CLK HIGH  | 30  |     |     | ns            |
| $t_{\text{CL}}$   | CLK LOW   | 50  |     |     | ns            |
| $t_{\text{CSS}}$  | $\overline{\text{CS}}$ LOW to CLK Rising        | 55  |     |     | ns            |
| $t_{\text{CSH}}$  | CLK HIGH to $\overline{\text{CS}}$ Rising       | 15  |     |     | ns            |
| $t_{\text{LD1}}$  | $\overline{\text{LDAC}}$ HIGH to CLK Rising     | 40  |     |     | ns            |
| $t_{\text{LD2}}$  | CLK Rising to $\overline{\text{LDAC}}$ LOW      | 15  |     |     | ns            |
| $t_{\text{LDDW}}$ | $\overline{\text{LDAC}}$ LOW Time               | 45  |     |     | ns            |
| $t_{\text{RSSH}}$ | RESETSEL Valid to $\overline{\text{RESET}}$ LOW | 25  |     |     | ns            |
| $t_{\text{RSTW}}$ | $\overline{\text{RESET}}$ LOW Time              | 70  |     |     | ns            |
| $t_{\text{S}}$    | Settling Time                                   | 10  |     |     | $\mu\text{s}$ |

TABLE I. Timing Specifications ( $T_A = -40^\circ\text{C}$  to  $+85^\circ\text{C}$ ).

The DAC code and address are provided via a 16-bit serial interface as shown in Figure 2. The first two bits select the DAC register that will be updated when  $\overline{\text{LDAC}}$  goes LOW (see Table II). The next two bits are not used. The last 12 bits is the DAC code which is provided, most significant bit first.

Note that  $\overline{\text{CS}}$  and CLK are combined with an OR gate, whose output controls the serial-to-parallel shift register internal to the DAC7616 (see the block diagram on the front of this data sheet). These two inputs are completely interchangeable. In addition, care must be taken with the state of CLK when  $\overline{\text{CS}}$  rises at the end of a serial transfer. If CLK is LOW when  $\overline{\text{CS}}$  rises, the OR gate will provide a rising edge to the shift register, shifting the internal data one additional bit. The result will be incorrect data and possible selection of the wrong DAC.

| A1               | A0 | $\overline{\text{LDAC}}$ | $\overline{\text{RESET}}$ | SELECTED DAC REGISTER | STATE OF SELECTED DAC REGISTER |
|------------------|----|--------------------------|---------------------------|-----------------------|--------------------------------|
| L <sup>(1)</sup> | L  | L                        | H                         | A                     | Transparent                    |
| L                | H  | L                        | H                         | B                     | Transparent                    |
| H                | L  | L                        | H                         | C                     | Transparent                    |
| H                | H  | L                        | H                         | D                     | Transparent                    |
| X <sup>(2)</sup> | X  | H                        | H                         | NONE                  | (All Latched)                  |
| X                | X  | X                        | L                         | ALL                   | Reset <sup>(3)</sup>           |

NOTES: (1) L = Logic LOW. (2) X = Don't Care. (3) Resets to either 000H or 800H, per the RESETSEL state (LOW = 000H, HIGH = 800H). When  $\overline{\text{RESET}}$  rises, all registers that are in their latched state retain the reset value.

TABLE II. Control Logic Truth Table.

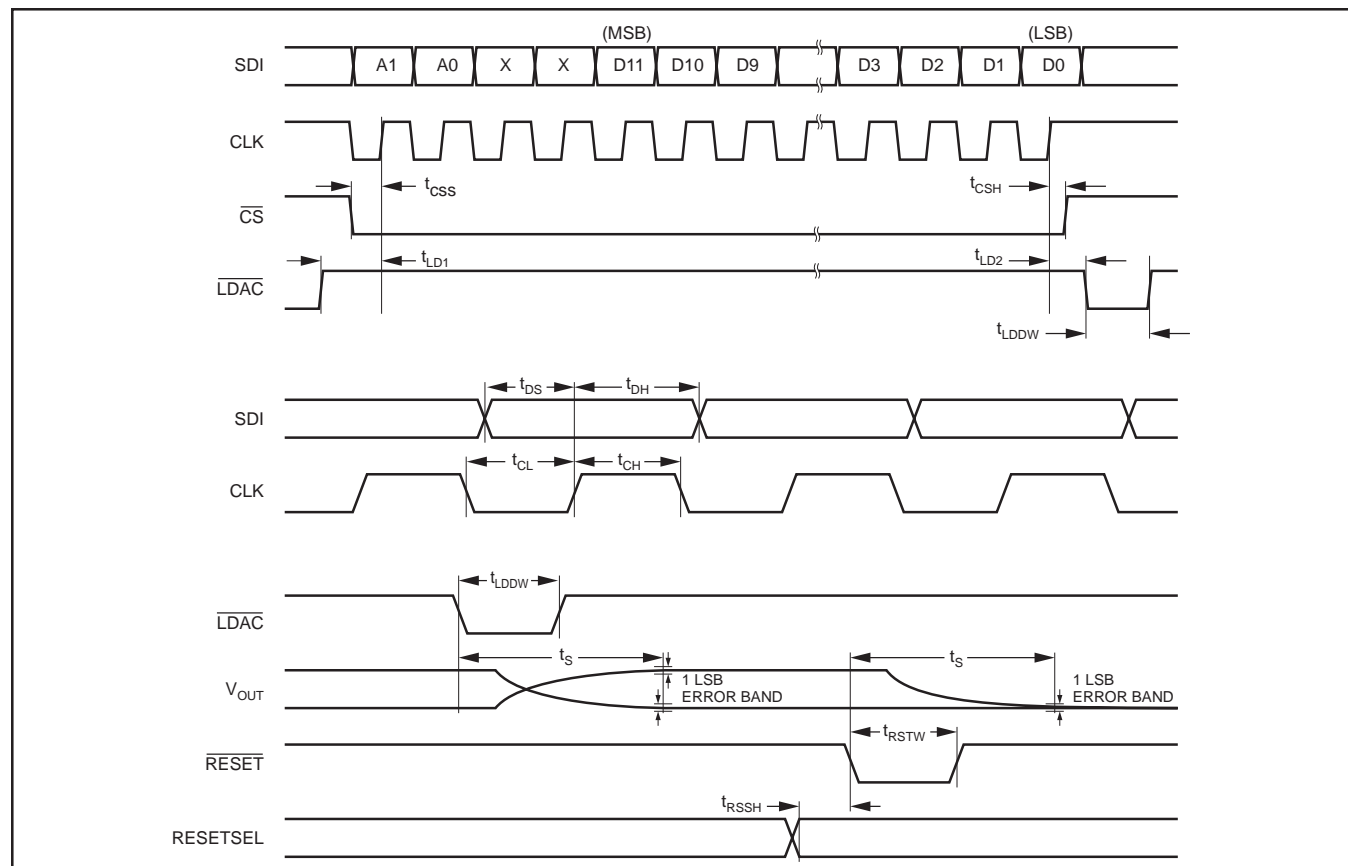


FIGURE 2. DAC7616 Timing.

If both  $\overline{CS}$  and CLK are used, then  $\overline{CS}$  should rise only when CLK is HIGH. If not, then either  $\overline{CS}$  or CLK can be used to operate the shift register. See Table III for more information.

| $\overline{CS}^{(1)}$ | CLK <sup>(1)</sup> | $\overline{LDAC}$ | $\overline{RESET}$ | SERIAL SHIFT REGISTER |
|-----------------------|--------------------|-------------------|--------------------|-----------------------|
| H <sup>(2)</sup>      | X <sup>(3)</sup>   | H                 | H                  | No Change             |
| L <sup>(4)</sup>      | L                  | H                 | H                  | No Change             |
| L                     | ↑ <sup>(5)</sup>   | H                 | H                  | Advanced One Bit      |
| ↑                     | L                  | H                 | H                  | Advanced One Bit      |
| H <sup>(6)</sup>      | X                  | L <sup>(7)</sup>  | H                  | No Change             |
| H <sup>(6)</sup>      | X                  | H                 | L <sup>(8)</sup>   | No Change             |

NOTES: (1)  $\overline{CS}$  and CLK are interchangeable. (2) H = Logic HIGH. (3) X = Don't Care. (4) L = Logic LOW (5) = Positive Logic Transition. (6) A HIGH value is suggested in order to avoid a "false clock" from advancing the shift register and changing the shift register. (7) If data is clocked into the serial register while  $\overline{LDAC}$  is LOW, the selected DAC register will change as the shift register bits "flow" through A1 and A0. This will corrupt the data in each DAC register that has been erroneously selected. (8)  $\overline{RESET}$  LOW causes no change in the contents of the serial shift register.

TABLE III. Serial Shift Register Truth Table.

### Digital Input Coding

The DAC7616 input data is in Straight Binary format. The output voltage is given by the following equation:

$$V_{OUT} = V_{REFL} + \frac{(V_{REFH} - V_{REFL}) \cdot N}{4096}$$

where N is the digital input code (in decimal). This equation does not include the effects of offset (zero-scale) or gain (full-scale) errors.

## LAYOUT

A precision analog component requires careful layout, adequate bypassing, and clean, well-regulated power supplies. As the DAC7616 offers single-supply operation, it will often be used in close proximity with digital logic, microcontrollers, microprocessors, and digital signal processors. The more digital logic present in the design and the higher the switching speed, the more difficult it will be to keep digital noise from appearing at the converter output.

Because the DAC7616 has a single ground pin, all return currents, including digital and analog return currents, must flow through the GND pin. Ideally, GND should be connected directly to an analog ground plane. This plane should be separate from the ground connection for the digital components until they were connected at the power entry point of the system (see Figure 3).

The power applied to  $V_{DD}$  should be well regulated and low noise. Switching power supplies and DC/DC converters will often have high-frequency glitches or spikes riding on the output voltage. In addition, digital components can create similar high-frequency spikes as their internal logic switches states. This noise can easily couple into the DAC output voltage through various paths between the power connections and analog output.

As with the GND connection,  $V_{DD}$  should be connected to a +3V power supply plane or trace that is separate from the connection for digital logic until they are connected at the power entry point. In addition, the 1μF to 10μF and 0.1μF capacitors shown in Figure 4 are strongly recommended. In some situations, additional bypassing may be required, such as a 100μF electrolytic capacitor or even a "Pi" filter made up of inductors and capacitors—all designed to essentially lowpass filter the +3V supply, removing the high frequency noise (see Figure 3).

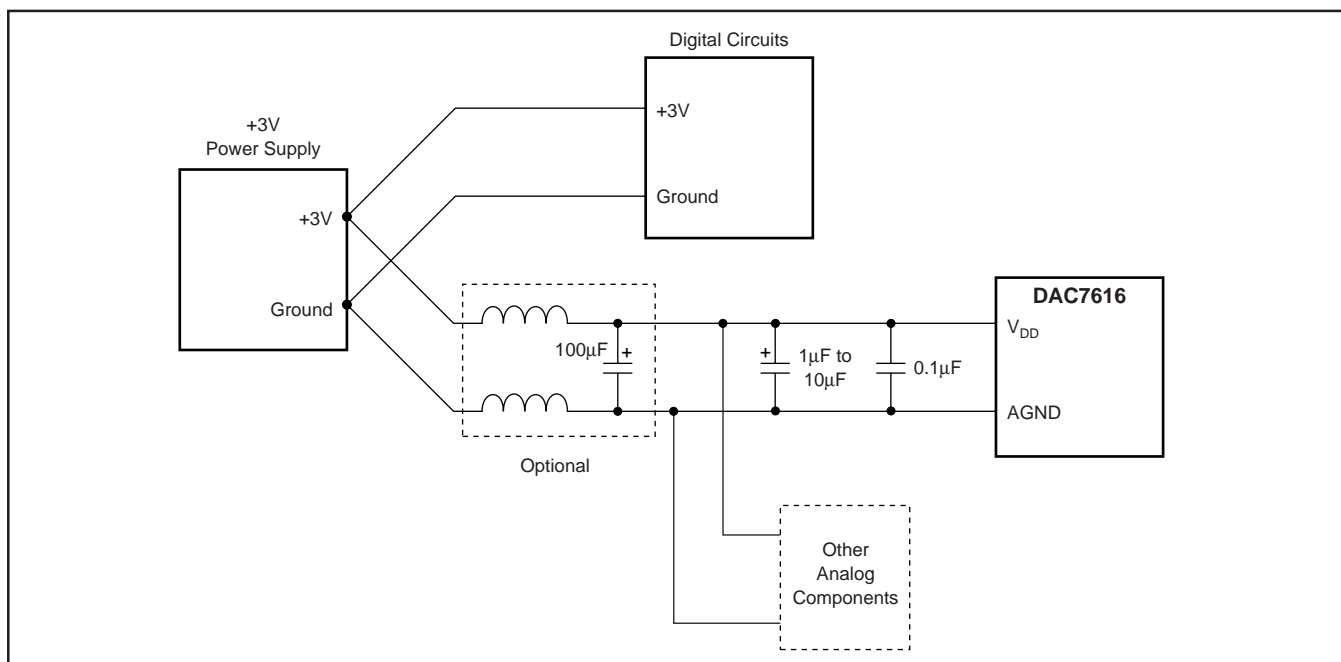


FIGURE 3. Suggested Power and Ground Connections for a DAC7616 Sharing a +3V Supply with a Digital System.

**PACKAGING INFORMATION**

| Orderable Device | Status <sup>(1)</sup> | Package Type | Package Drawing | Pins | Package Qty | Eco Plan <sup>(2)</sup> | Lead/Ball Finish | MSL Peak Temp <sup>(3)</sup> |
|------------------|-----------------------|--------------|-----------------|------|-------------|-------------------------|------------------|------------------------------|
| DAC7616E         | ACTIVE                | SSOP         | DB              | 20   | 70          | Green (RoHS & no Sb/Br) | CU NIPDAU        | Level-3-260C-168 HR          |
| DAC7616E/1K      | ACTIVE                | SSOP         | DB              | 20   | 1000        | Green (RoHS & no Sb/Br) | CU NIPDAU        | Level-3-260C-168 HR          |
| DAC7616E/1KG4    | ACTIVE                | SSOP         | DB              | 20   | 1000        | Green (RoHS & no Sb/Br) | CU NIPDAU        | Level-3-260C-168 HR          |
| DAC7616EB        | ACTIVE                | SSOP         | DB              | 20   | 70          | Green (RoHS & no Sb/Br) | CU NIPDAU        | Level-3-260C-168 HR          |
| DAC7616EB/1K     | ACTIVE                | SSOP         | DB              | 20   | 1000        | Green (RoHS & no Sb/Br) | CU NIPDAU        | Level-3-260C-168 HR          |
| DAC7616EB/1KG4   | ACTIVE                | SSOP         | DB              | 20   | 1000        | Green (RoHS & no Sb/Br) | CU NIPDAU        | Level-3-260C-168 HR          |
| DAC7616EBG4      | ACTIVE                | SSOP         | DB              | 20   | 70          | Green (RoHS & no Sb/Br) | CU NIPDAU        | Level-3-260C-168 HR          |
| DAC7616EG4       | ACTIVE                | SSOP         | DB              | 20   | 70          | Green (RoHS & no Sb/Br) | CU NIPDAU        | Level-3-260C-168 HR          |
| DAC7616U         | ACTIVE                | SOIC         | DW              | 16   | 40          | Green (RoHS & no Sb/Br) | CU NIPDAU        | Level-3-260C-168 HR          |
| DAC7616UB        | ACTIVE                | SOIC         | DW              | 16   | 40          | Green (RoHS & no Sb/Br) | CU NIPDAU        | Level-3-260C-168 HR          |
| DAC7616UB/1K     | ACTIVE                | SOIC         | DW              | 16   | 1000        | Green (RoHS & no Sb/Br) | CU NIPDAU        | Level-3-260C-168 HR          |
| DAC7616UB/1KG4   | ACTIVE                | SOIC         | DW              | 16   | 1000        | Green (RoHS & no Sb/Br) | CU NIPDAU        | Level-3-260C-168 HR          |
| DAC7616UBG4      | ACTIVE                | SOIC         | DW              | 16   | 40          | Green (RoHS & no Sb/Br) | CU NIPDAU        | Level-3-260C-168 HR          |
| DAC7616UG4       | ACTIVE                | SOIC         | DW              | 16   | 40          | Green (RoHS & no Sb/Br) | CU NIPDAU        | Level-3-260C-168 HR          |

<sup>(1)</sup> The marketing status values are defined as follows:

**ACTIVE:** Product device recommended for new designs.

**LIFEBUY:** TI has announced that the device will be discontinued, and a lifetime-buy period is in effect.

**NRND:** Not recommended for new designs. Device is in production to support existing customers, but TI does not recommend using this part in a new design.

**PREVIEW:** Device has been announced but is not in production. Samples may or may not be available.

**OBSOLETE:** TI has discontinued the production of the device.

<sup>(2)</sup> Eco Plan - The planned eco-friendly classification: Pb-Free (RoHS), Pb-Free (RoHS Exempt), or Green (RoHS & no Sb/Br) - please check <http://www.ti.com/productcontent> for the latest availability information and additional product content details.

**TBD:** The Pb-Free/Green conversion plan has not been defined.

**Pb-Free (RoHS):** TI's terms "Lead-Free" or "Pb-Free" mean semiconductor products that are compatible with the current RoHS requirements for all 6 substances, including the requirement that lead not exceed 0.1% by weight in homogeneous materials. Where designed to be soldered at high temperatures, TI Pb-Free products are suitable for use in specified lead-free processes.

**Pb-Free (RoHS Exempt):** This component has a RoHS exemption for either 1) lead-based flip-chip solder bumps used between the die and package, or 2) lead-based die adhesive used between the die and leadframe. The component is otherwise considered Pb-Free (RoHS compatible) as defined above.

**Green (RoHS & no Sb/Br):** TI defines "Green" to mean Pb-Free (RoHS compatible), and free of Bromine (Br) and Antimony (Sb) based flame retardants (Br or Sb do not exceed 0.1% by weight in homogeneous material)

<sup>(3)</sup> MSL, Peak Temp. -- The Moisture Sensitivity Level rating according to the JEDEC industry standard classifications, and peak solder temperature.

**Important Information and Disclaimer:**The information provided on this page represents TI's knowledge and belief as of the date that it is

provided. TI bases its knowledge and belief on information provided by third parties, and makes no representation or warranty as to the accuracy of such information. Efforts are underway to better integrate information from third parties. TI has taken and continues to take reasonable steps to provide representative and accurate information but may not have conducted destructive testing or chemical analysis on incoming materials and chemicals. TI and TI suppliers consider certain information to be proprietary, and thus CAS numbers and other limited information may not be available for release.

In no event shall TI's liability arising out of such information exceed the total purchase price of the TI part(s) at issue in this document sold by TI to Customer on an annual basis.

**TAPE AND REEL INFORMATION**



**QUADRANT ASSIGNMENTS FOR PIN 1 ORIENTATION IN TAPE**



\*All dimensions are nominal

| Device       | Package Type | Package Drawing | Pins | SPQ  | Reel Diameter (mm) | Reel Width W1 (mm) | A0 (mm) | B0 (mm) | K0 (mm) | P1 (mm) | W (mm) | Pin1 Quadrant |
|--------------|--------------|-----------------|------|------|--------------------|--------------------|---------|---------|---------|---------|--------|---------------|
| DAC7616E/1K  | SSOP         | DB              | 20   | 1000 | 330.0              | 16.4               | 8.2     | 7.5     | 2.5     | 12.0    | 16.0   | Q1            |
| DAC7616EB/1K | SSOP         | DB              | 20   | 1000 | 330.0              | 16.4               | 8.2     | 7.5     | 2.5     | 12.0    | 16.0   | Q1            |
| DAC7616UB/1K | SOIC         | DW              | 16   | 1000 | 330.0              | 16.4               | 10.85   | 10.8    | 2.7     | 12.0    | 16.0   | Q1            |

**TAPE AND REEL BOX DIMENSIONS**



\*All dimensions are nominal

| Device       | Package Type | Package Drawing | Pins | SPQ  | Length (mm) | Width (mm) | Height (mm) |
|--------------|--------------|-----------------|------|------|-------------|------------|-------------|
| DAC7616E/1K  | SSOP         | DB              | 20   | 1000 | 346.0       | 346.0      | 33.0        |
| DAC7616EB/1K | SSOP         | DB              | 20   | 1000 | 346.0       | 346.0      | 33.0        |
| DAC7616UB/1K | SOIC         | DW              | 16   | 1000 | 346.0       | 346.0      | 33.0        |



## IMPORTANT NOTICE

Texas Instruments Incorporated and its subsidiaries (TI) reserve the right to make corrections, modifications, enhancements, improvements, and other changes to its products and services at any time and to discontinue any product or service without notice. Customers should obtain the latest relevant information before placing orders and should verify that such information is current and complete. All products are sold subject to TI's terms and conditions of sale supplied at the time of order acknowledgment.

TI warrants performance of its hardware products to the specifications applicable at the time of sale in accordance with TI's standard warranty. Testing and other quality control techniques are used to the extent TI deems necessary to support this warranty. Except where mandated by government requirements, testing of all parameters of each product is not necessarily performed.

TI assumes no liability for applications assistance or customer product design. Customers are responsible for their products and applications using TI components. To minimize the risks associated with customer products and applications, customers should provide adequate design and operating safeguards.

TI does not warrant or represent that any license, either express or implied, is granted under any TI patent right, copyright, mask work right, or other TI intellectual property right relating to any combination, machine, or process in which TI products or services are used. Information published by TI regarding third-party products or services does not constitute a license from TI to use such products or services or a warranty or endorsement thereof. Use of such information may require a license from a third party under the patents or other intellectual property of the third party, or a license from TI under the patents or other intellectual property of TI.

Reproduction of TI information in TI data books or data sheets is permissible only if reproduction is without alteration and is accompanied by all associated warranties, conditions, limitations, and notices. Reproduction of this information with alteration is an unfair and deceptive business practice. TI is not responsible or liable for such altered documentation. Information of third parties may be subject to additional restrictions.

Resale of TI products or services with statements different from or beyond the parameters stated by TI for that product or service voids all express and any implied warranties for the associated TI product or service and is an unfair and deceptive business practice. TI is not responsible or liable for any such statements.

TI products are not authorized for use in safety-critical applications (such as life support) where a failure of the TI product would reasonably be expected to cause severe personal injury or death, unless officers of the parties have executed an agreement specifically governing such use. Buyers represent that they have all necessary expertise in the safety and regulatory ramifications of their applications, and acknowledge and agree that they are solely responsible for all legal, regulatory and safety-related requirements concerning their products and any use of TI products in such safety-critical applications, notwithstanding any applications-related information or support that may be provided by TI. Further, Buyers must fully indemnify TI and its representatives against any damages arising out of the use of TI products in such safety-critical applications.

TI products are neither designed nor intended for use in military/aerospace applications or environments unless the TI products are specifically designated by TI as military-grade or "enhanced plastic." Only products designated by TI as military-grade meet military specifications. Buyers acknowledge and agree that any such use of TI products which TI has not designated as military-grade is solely at the Buyer's risk, and that they are solely responsible for compliance with all legal and regulatory requirements in connection with such use.

TI products are neither designed nor intended for use in automotive applications or environments unless the specific TI products are designated by TI as compliant with ISO/TS 16949 requirements. Buyers acknowledge and agree that, if they use any non-designated products in automotive applications, TI will not be responsible for any failure to meet such requirements.

Following are URLs where you can obtain information on other Texas Instruments products and application solutions:

### Products

|                             |  |
|-----------------------------|--|
| Amplifiers                  | <a href="http://amplifier.ti.com">amplifier.ti.com</a>             |
| Data Converters             | <a href="http://dataconverter.ti.com">dataconverter.ti.com</a>     |
| DLP® Products               | <a href="http://www.dlp.com">www.dlp.com</a>                       |
| DSP                         | <a href="http://dsp.ti.com">dsp.ti.com</a>                         |
| Clocks and Timers           | <a href="http://www.ti.com/clocks">www.ti.com/clocks</a>           |
| Interface                   | <a href="http://interface.ti.com">interface.ti.com</a>             |
| Logic                       | <a href="http://logic.ti.com">logic.ti.com</a>                     |
| Power Mgmt                  | <a href="http://power.ti.com">power.ti.com</a>                     |
| Microcontrollers            | <a href="http://microcontroller.ti.com">microcontroller.ti.com</a> |
| RFID                        | <a href="http://www.ti-rfid.com">www.ti-rfid.com</a>               |
| RF/IF and ZigBee® Solutions | <a href="http://www.ti.com/lprf">www.ti.com/lprf</a>               |

### Applications

|                    |  |
|--------------------|--|
| Audio              | <a href="http://www.ti.com/audio">www.ti.com/audio</a>                   |
| Automotive         | <a href="http://www.ti.com/automotive">www.ti.com/automotive</a>         |
| Broadband          | <a href="http://www.ti.com/broadband">www.ti.com/broadband</a>           |
| Digital Control    | <a href="http://www.ti.com/digitalcontrol">www.ti.com/digitalcontrol</a> |
| Medical            | <a href="http://www.ti.com/medical">www.ti.com/medical</a>               |
| Military           | <a href="http://www.ti.com/military">www.ti.com/military</a>             |
| Optical Networking | <a href="http://www.ti.com/opticalnetwork">www.ti.com/opticalnetwork</a> |
| Security           | <a href="http://www.ti.com/security">www.ti.com/security</a>             |
| Telephony          | <a href="http://www.ti.com/telephony">www.ti.com/telephony</a>           |
| Video & Imaging    | <a href="http://www.ti.com/video">www.ti.com/video</a>                   |
| Wireless           | <a href="http://www.ti.com/wireless">www.ti.com/wireless</a>             |

Mailing Address: Texas Instruments, Post Office Box 655303, Dallas, Texas 75265  
Copyright © 2009, Texas Instruments Incorporated

[www.BDTIC.com/TI](http://www.BDTIC.com/TI)