

MSP430x43x1, MSP430x43x, MSP430x44x1, MSP430x44x MIXED SIGNAL MICROCONTROLLER

SLAS344G – JANUARY 2002 – REVISED OCTOBER 2009

- Low Supply-Voltage Range, 1.8 V to 3.6 V
- Ultralow-Power Consumption:
 - Active Mode: 280 μ A at 1 MHz, 2.2 V
 - Standby Mode: 1.1 μ A
 - Off Mode (RAM Retention): 0.1 μ A
- Five Power Saving Modes
- Wake-Up From Standby Mode in Less Than 6 μ s
- 16-Bit RISC Architecture, 125-ns Instruction Cycle Time
- 12-Bit A/D Converter With Internal Reference, Sample-and-Hold and Autoscan Feature
- 16-Bit Timer_B With Three[†] or Seven[‡] Capture/Compare-With-Shadow Registers
- 16-Bit Timer_A With Three Capture/Compare Registers
- On-Chip Comparator
- Serial Communication Interface (USART), Select Asynchronous UART or Synchronous SPI by Software:
 - Two USARTs (USART0, USART1)[†]
 - One USART (USART0)[‡]
- Brownout Detector
- Supply Voltage Supervisor/Monitor With Programmable Level Detection
- Serial Onboard Programming, No External Programming Voltage Needed
Programmable Code Protection by Security Fuse
- Integrated LCD Driver for up to 160 Segments
- Bootstrap Loader
- Family Members Include:
 - MSP430F435, MSP430F4351[§]:
16KB+256B Flash Memory, 512B RAM
 - MSP430F436, MSP430F4361[§]:
24KB+256B Flash Memory, 1KB RAM
 - MSP430F437, MSP430F4371[§]:
32KB+256B Flash Memory, 1KB RAM
 - MSP430F447:
32KB+256B Flash Memory, 1KB RAM
 - MSP430F448, MSP430F4481[§]:
48KB+256B Flash Memory, 2KB RAM
 - MSP430F449, MSP430F4491[§]:
60KB+256B Flash Memory, 2KB RAM
- For Complete Module Descriptions, See The *MSP430x4xx Family User's Guide*, Literature Number SLAU056

[†] MSP430F43x, and MSP430F43x1 devices

[‡] MSP430F44x, and MSP430F44x1 devices

[§] The MSP430F43x1 and MSP430F44x1 devices are identical to the MSP430F43x and MSP430F44x devices, respectively – with the exception that the ADC12 module is not implemented.

description

The Texas Instruments MSP430 family of ultralow power microcontrollers consists of several devices featuring different sets of peripherals targeted for various applications. The architecture, combined with five low-power modes, is optimized to achieve extended battery life in portable measurement applications. The devices feature a powerful 16-bit RISC CPU, 16-bit registers, and constant generators that contribute to maximum code efficiency. The digitally controlled oscillator (DCO) allows wake-up from low-power modes to active mode in less than 6 μ s.



This integrated circuit can be damaged by ESD. Texas Instruments recommends that all integrated circuits be handled with appropriate precautions. Failure to observe proper handling and installation procedures can cause damage. ESD damage can range from subtle performance degradation to complete device failure. Precision integrated circuits may be more susceptible to damage because very small parametric changes could cause the device not to meet its published specifications. These devices have limited built-in ESD protection.



Please be aware that an important notice concerning availability, standard warranty, and use in critical applications of Texas Instruments semiconductor products and disclaimers thereto appears at the end of this data sheet.

PRODUCTION DATA information is current as of publication date. Products conform to specifications per the terms of Texas Instruments standard warranty. Production processing does not necessarily include testing of all parameters.

Copyright © 2009, Texas Instruments Incorporated

 **TEXAS INSTRUMENTS**
www.BDITIC.com/TI
POST OFFICE BOX 655303 • DALLAS, TEXAS 75263

MSP430x43x1, MSP430x43x, MSP430x44x1, MSP430x44x MIXED SIGNAL MICROCONTROLLER

SLAS344G – JANUARY 2002 – REVISED OCTOBER 2009

description (continued)

The MSP430x43x(1) and the MSP430x44x(1) series are microcontroller configurations with two built-in 16-bit timers, a fast 12-bit A/D converter (not implemented on the MSP430F43x1 and MSP430F44x1 devices), one or two universal serial synchronous/asynchronous communication interfaces (USART), 48 I/O pins, and a liquid crystal driver (LCD) with up to 160 segments.

Typical applications include sensor systems that capture analog signals, convert them to digital values, and process and transmit the data to a host system, or process this data and display it on a LCD panel. The timers make the configurations ideal for industrial control applications such as ripple counters, digital motor control, EE-meters, hand-held meters, etc. The hardware multiplier enhances the performance and offers a broad code and hardware-compatible family solution.

| AVAILABLE OPTIONS [†] | | |
|--------------------------------|----------------------------------------------------|-----------------------------------------------------------------------------------------|
| T _A | PACKAGED DEVICES [‡] | |
| | PLASTIC 80-PIN QFP (PN) | PLASTIC 100-PIN QFP (PZ) |
| -40°C to 85°C | MSP430F435IPN MSP430F436IPN MSP430F437IPN | MSP430F435IPZ MSP430F436IPZ MSP430F437IPZ |
| | MSP430F4351IPN MSP430F4361IPN MSP430F4371IPN | MSP430F4351IPZ MSP430F4361IPZ MSP430F4371IPZ |
| | | MSP430F447IPZ MSP430F448IPZ MSP430F449IPZ MSP430F4481IPZ MSP430F4491IPZ |

[†] For the most current package and ordering information, see the Package Option Addendum at the end of this document, or see the TI web site at www.ti.com.

[‡] Package drawings, thermal data, and symbolization are available at www.ti.com/packaging.

DEVELOPMENT TOOL SUPPORT

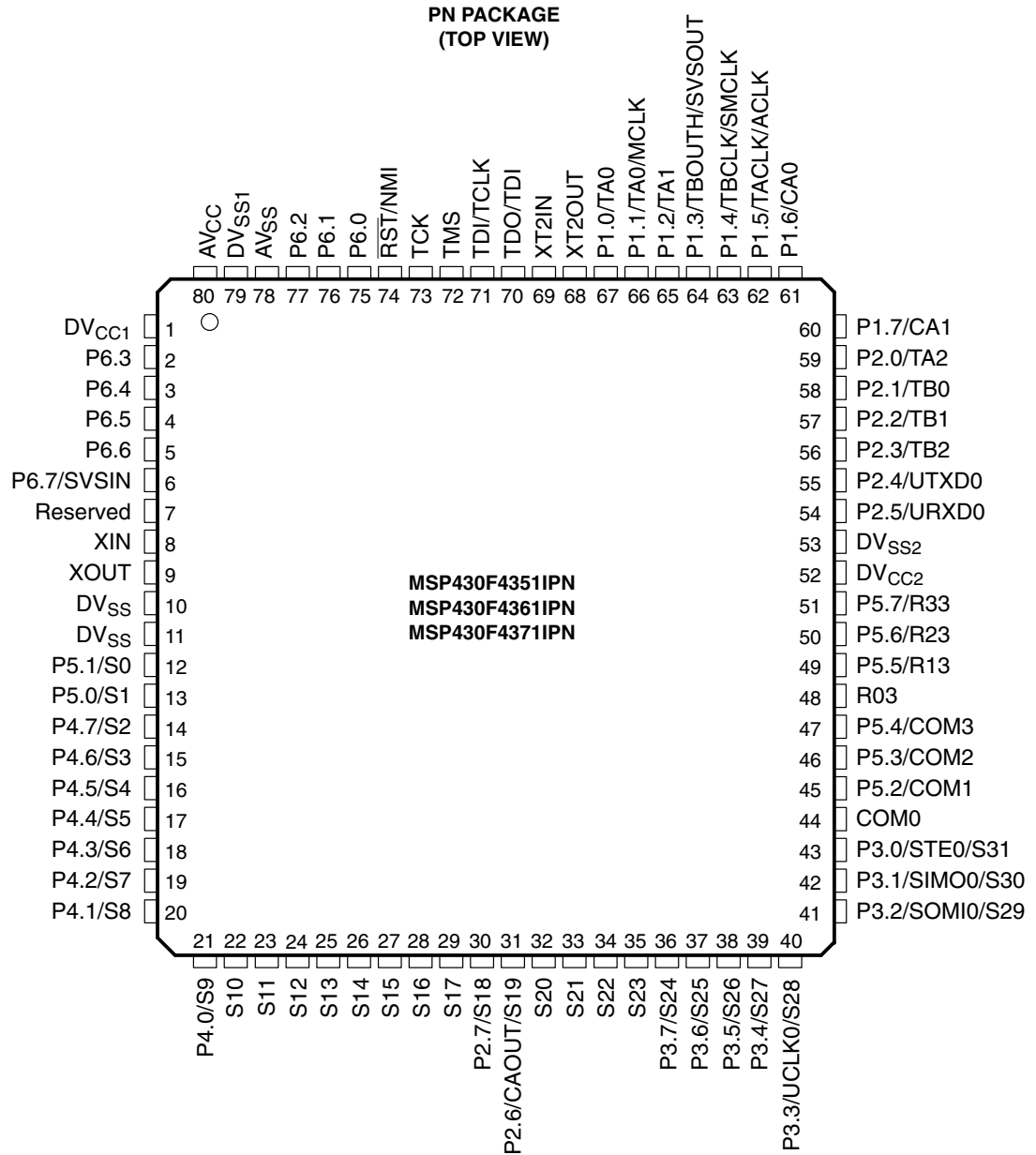
All MSP430 microcontrollers include an Embedded Emulation Module (EEM) allowing advanced debugging and programming through easy to use development tools. Recommended hardware options include the following:

- Debugging and Programming Interface
 - MSP-FET430UIF (USB)
 - MSP-FET430PIF (Parallel Port)
- Debugging and Programming Interface with Target Board
 - MSP-FET430U100 (PZ package)
- Stand-Alone Target Board
 - MSP-TS430PZ100 (PZ package)
- Production Programmer
 - MSP-GANG430

MSP430x43x1, MSP430x43x, MSP430x44x1, MSP430x44x MIXED SIGNAL MICROCONTROLLER

SLAS344G – JANUARY 2002 – REVISED OCTOBER 2009

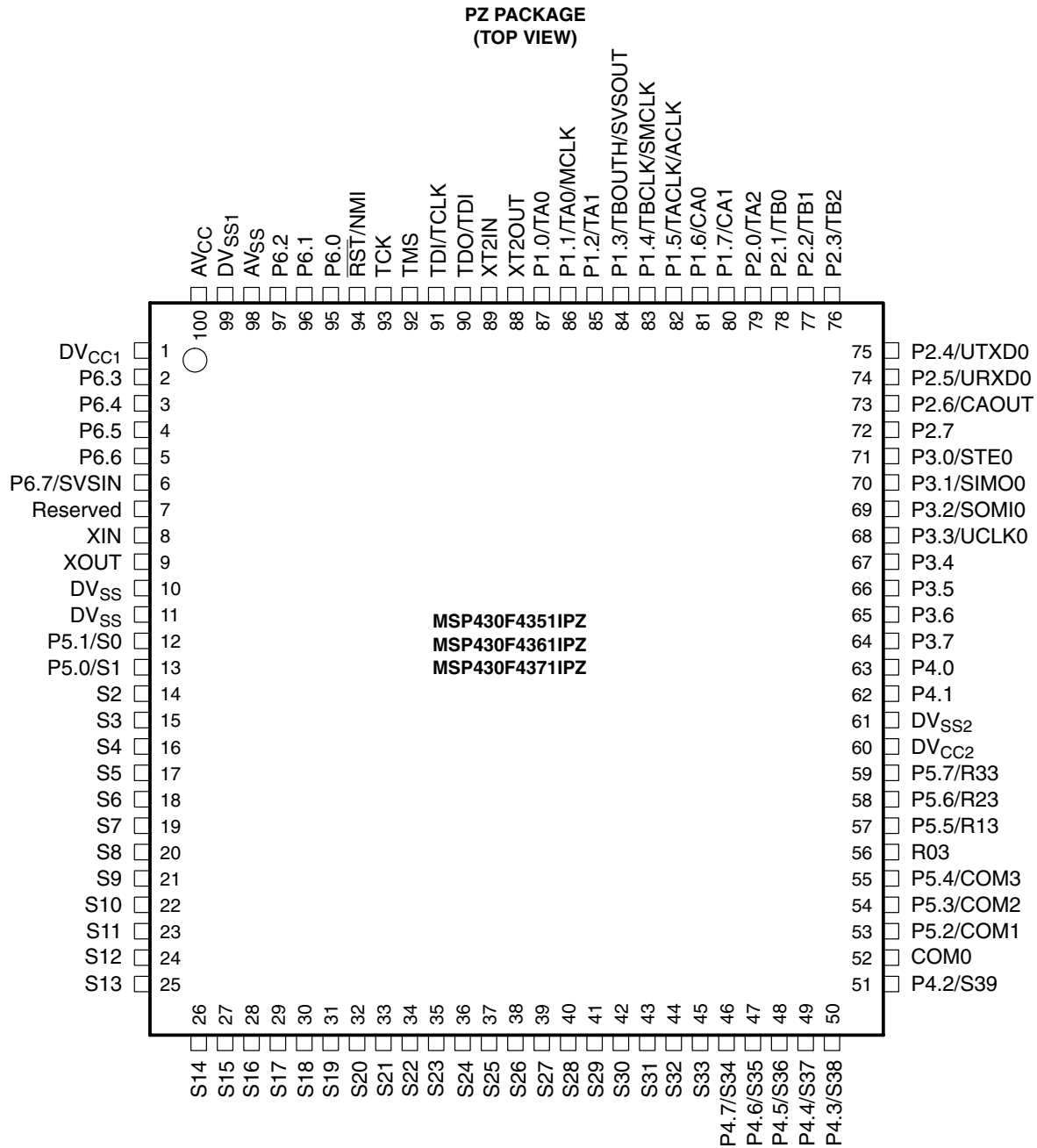
pin designation, MSP430x4351IPN, MSP430x4361IPN, MSP430x4371IPN



MSP430x43x1, MSP430x43x, MSP430x44x1, MSP430x44x MIXED SIGNAL MICROCONTROLLER

SLAS344G – JANUARY 2002 – REVISED OCTOBER 2009

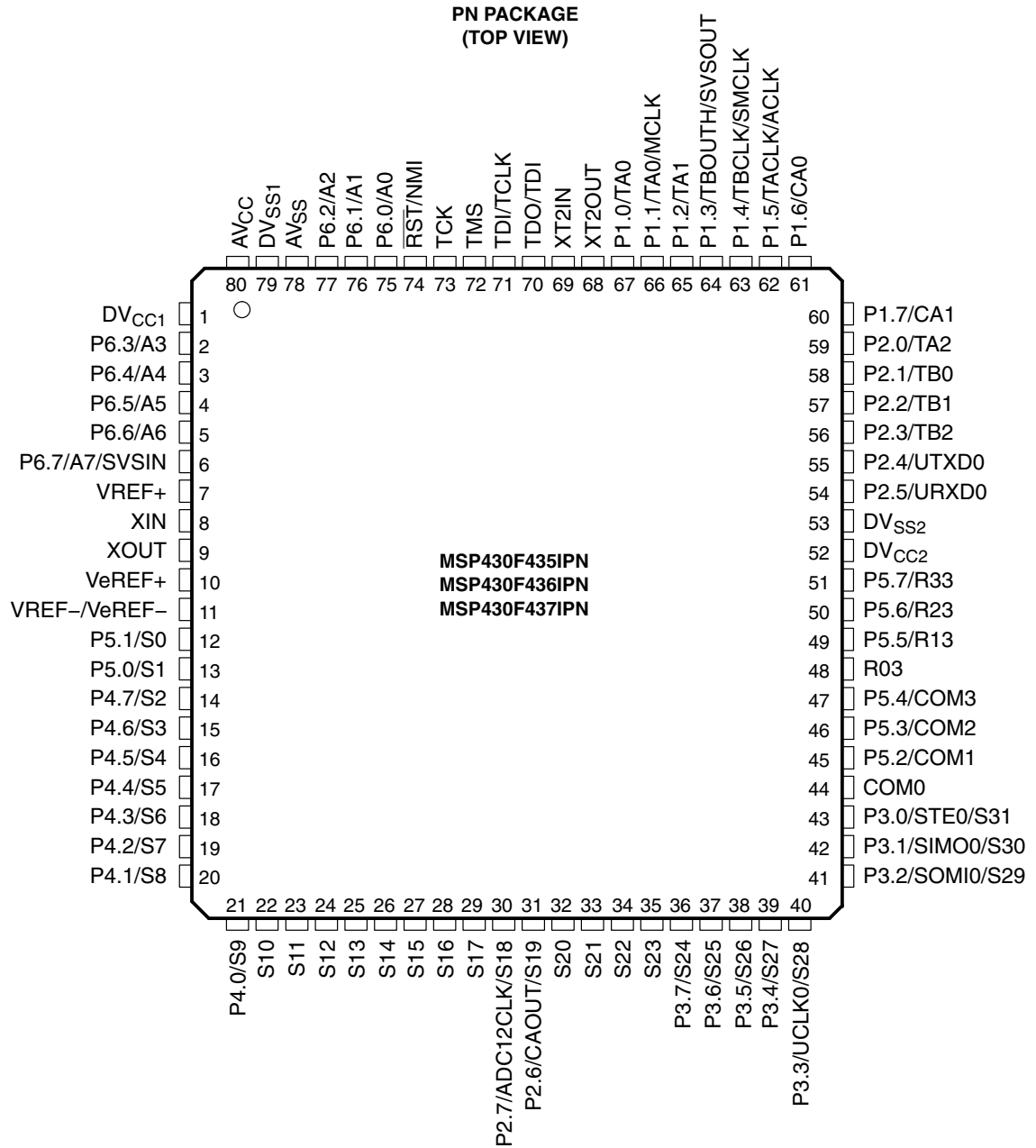
pin designation, MSP430x4351IPZ, MSP430x4361IPZ, MSP430x4371IPZ



MSP430x43x1, MSP430x43x, MSP430x44x1, MSP430x44x MIXED SIGNAL MICROCONTROLLER

SLAS344G – JANUARY 2002 – REVISED OCTOBER 2009

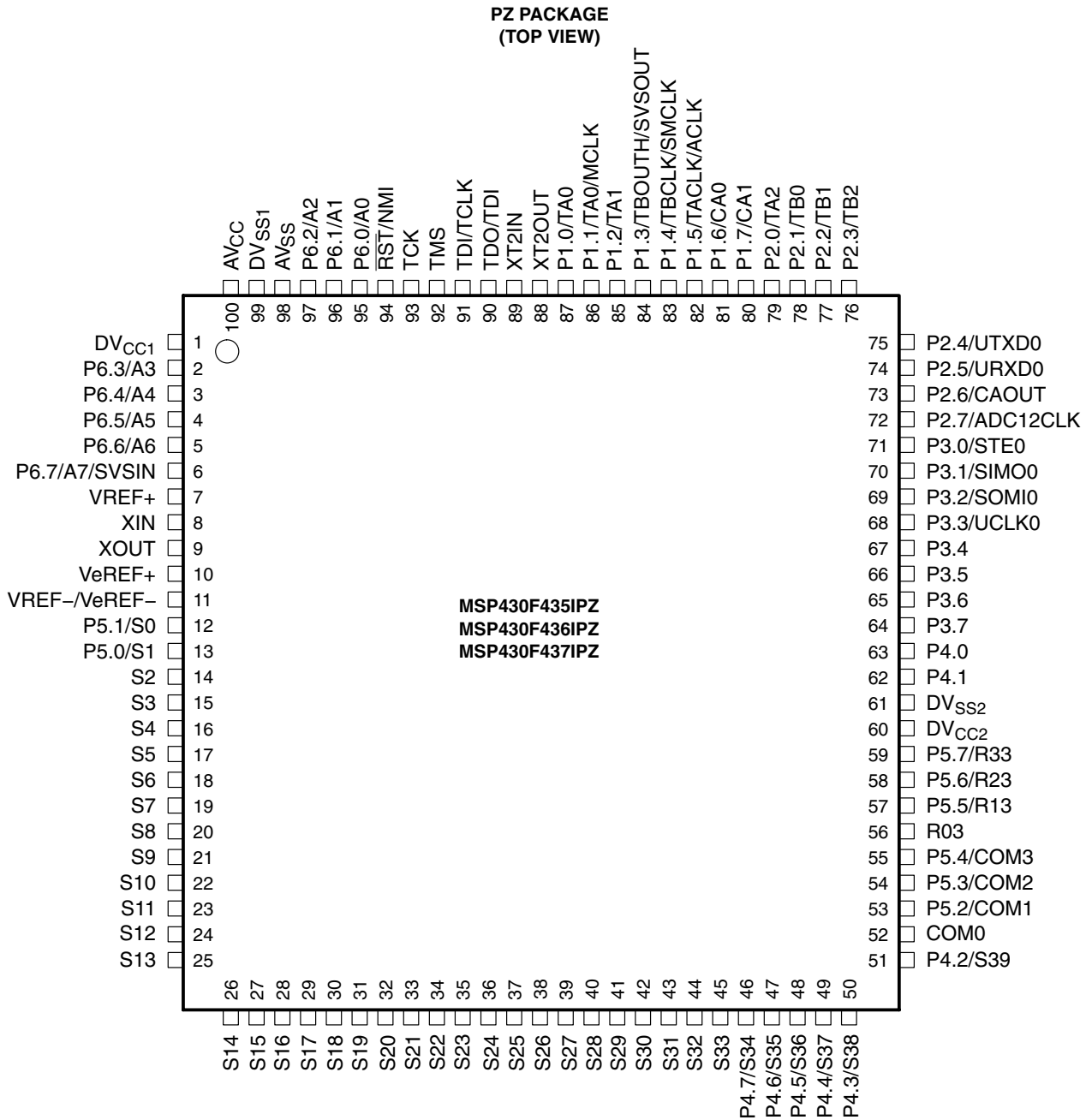
pin designation, MSP430x435IPN, MSP430x436IPN, MSP430x437IPN



MSP430x43x1, MSP430x43x, MSP430x44x1, MSP430x44x MIXED SIGNAL MICROCONTROLLER

SLAS344G – JANUARY 2002 – REVISED OCTOBER 2009

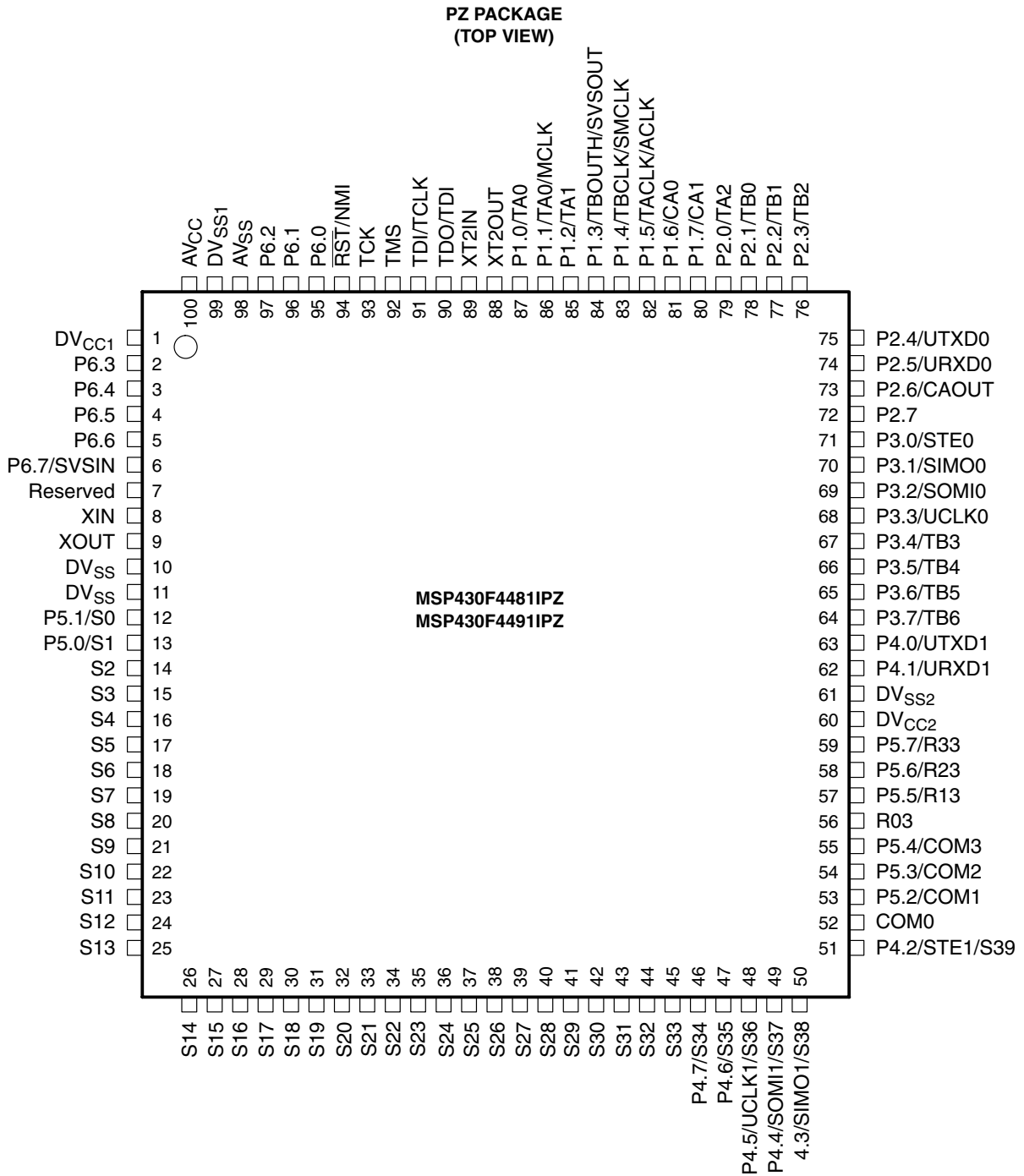
pin designation, MSP430x435IPZ, MSP430x436IPZ, MSP430x437IPZ



MSP430x43x1, MSP430x43x, MSP430x44x1, MSP430x44x MIXED SIGNAL MICROCONTROLLER

SLAS344G – JANUARY 2002 – REVISED OCTOBER 2009

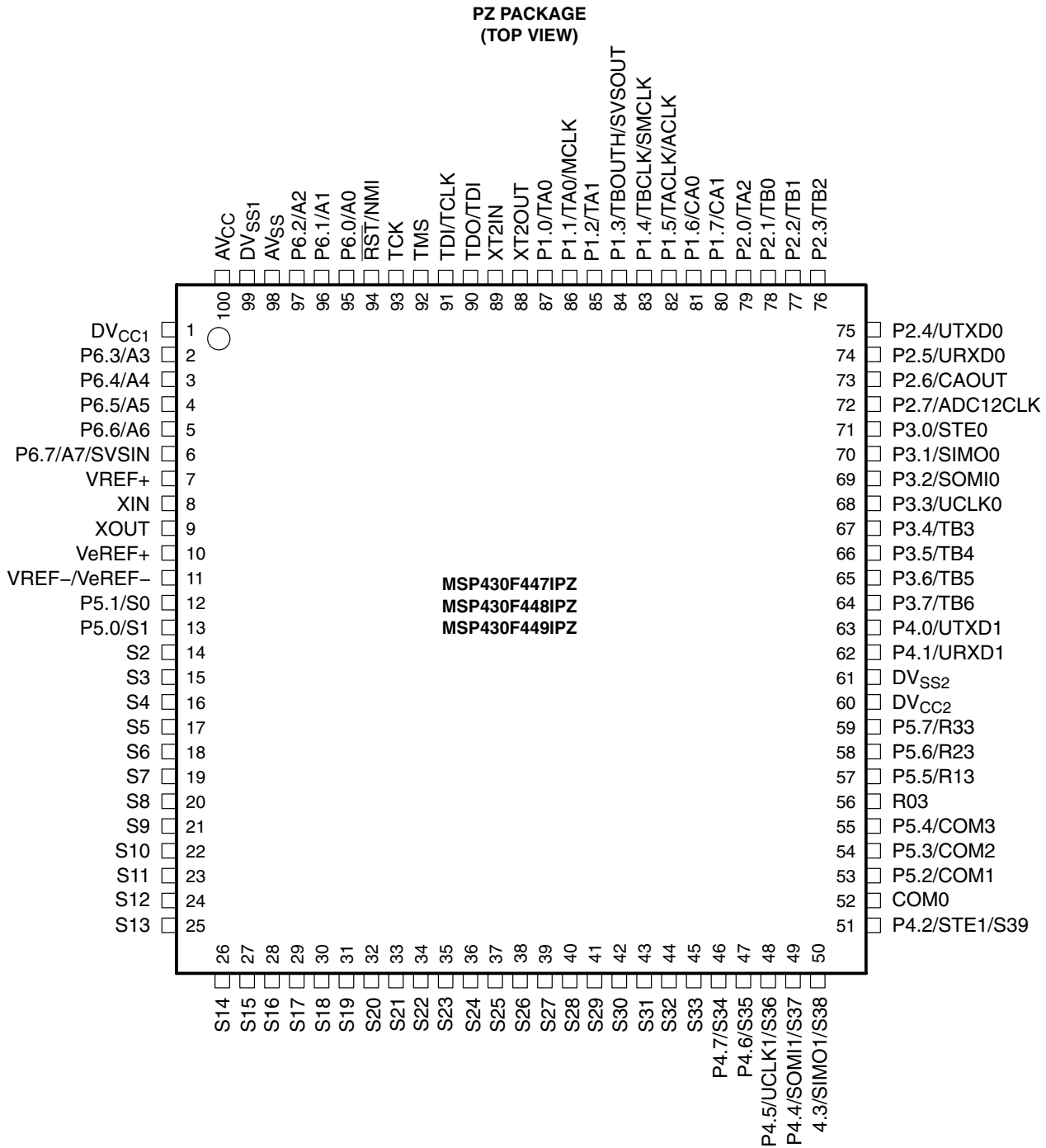
pin designation, MSP430x4481IPZ, MSP430x4491IPZ



MSP430x43x1, MSP430x43x, MSP430x44x1, MSP430x44x MIXED SIGNAL MICROCONTROLLER

SLAS344G – JANUARY 2002 – REVISED OCTOBER 2009

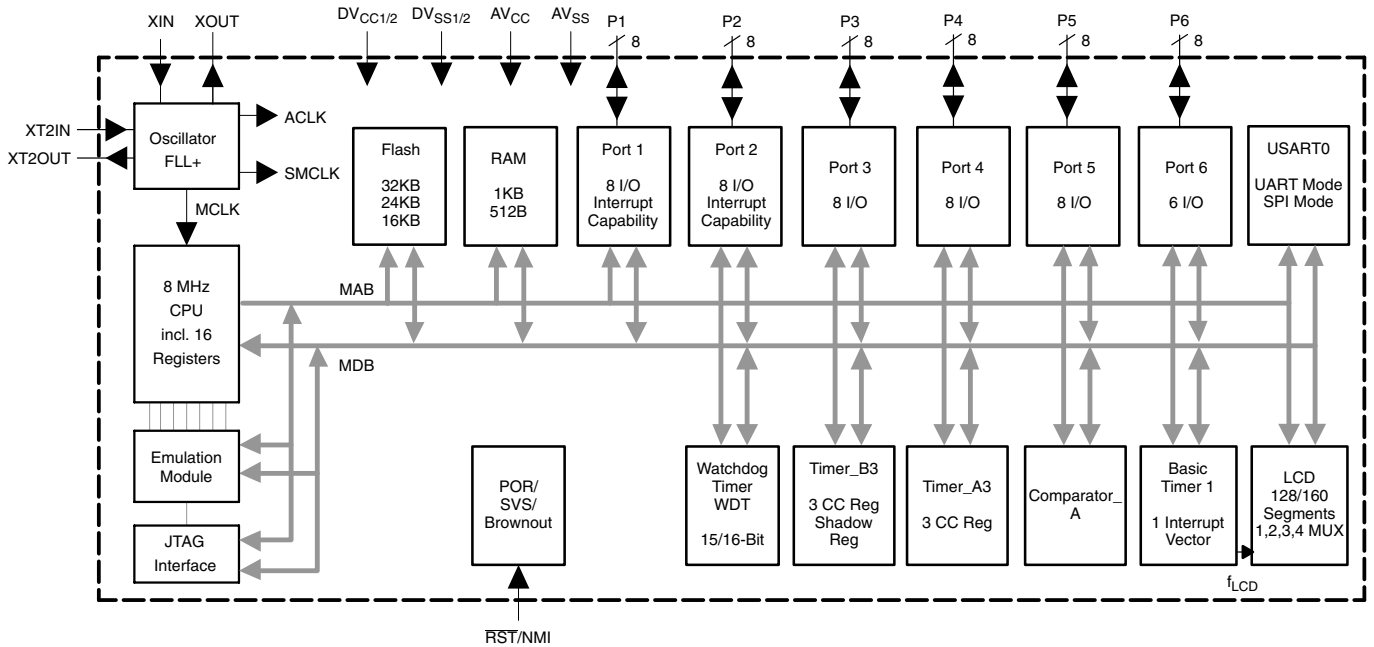
pin designation, MSP430x447IPZ, MSP430x448IPZ, MSP430x449IPZ



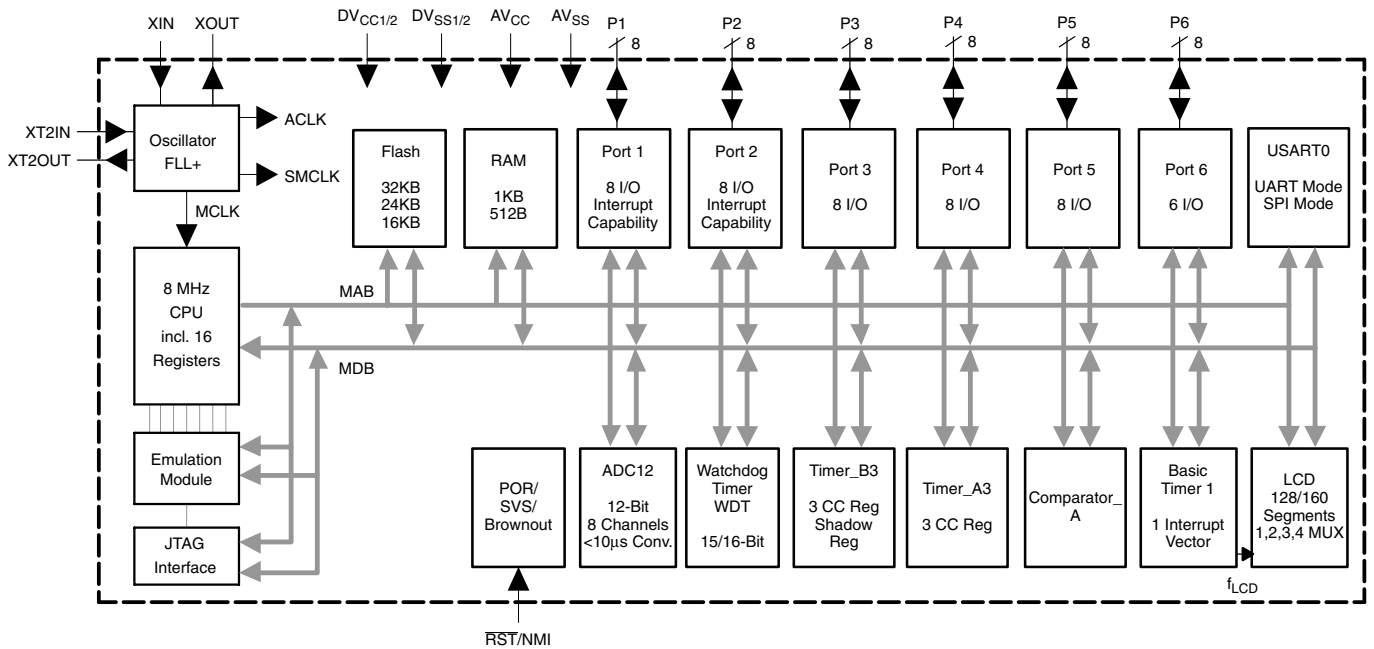
MSP430x43x1, MSP430x43x, MSP430x44x1, MSP430x44x MIXED SIGNAL MICROCONTROLLER

SLAS344G – JANUARY 2002 – REVISED OCTOBER 2009

MSP430x43x1 functional block diagram



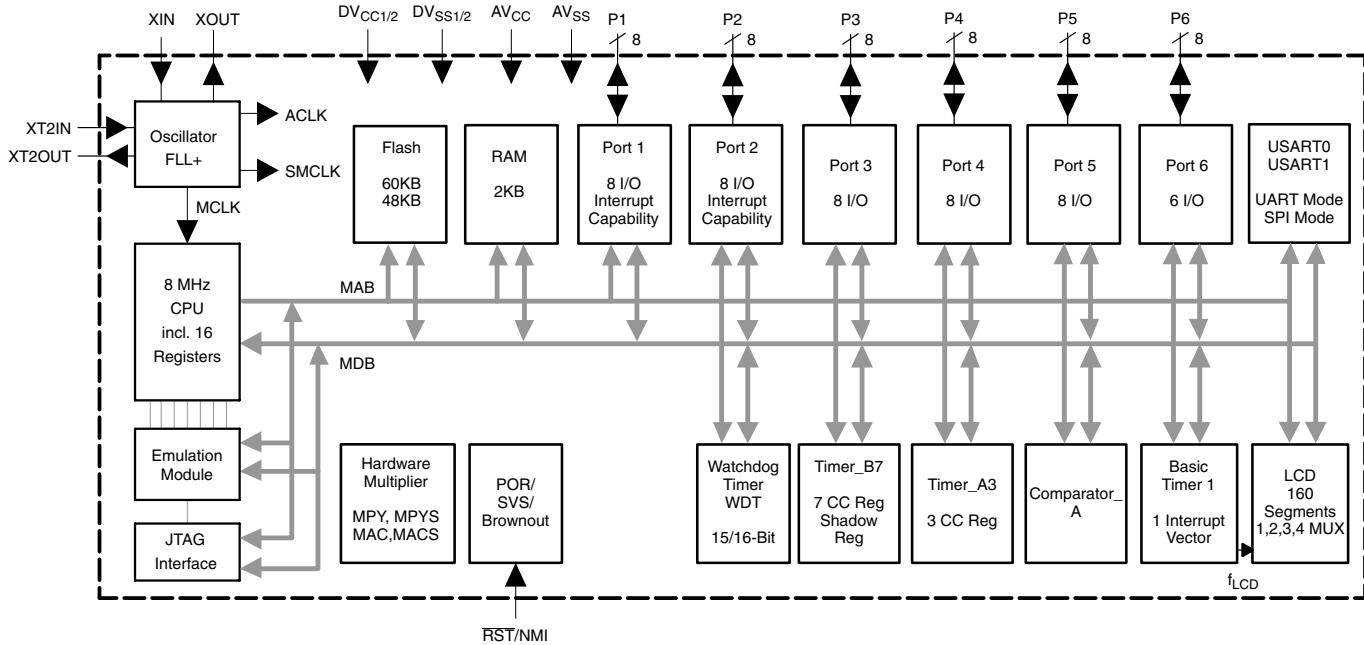
MSP430x43x functional block diagram



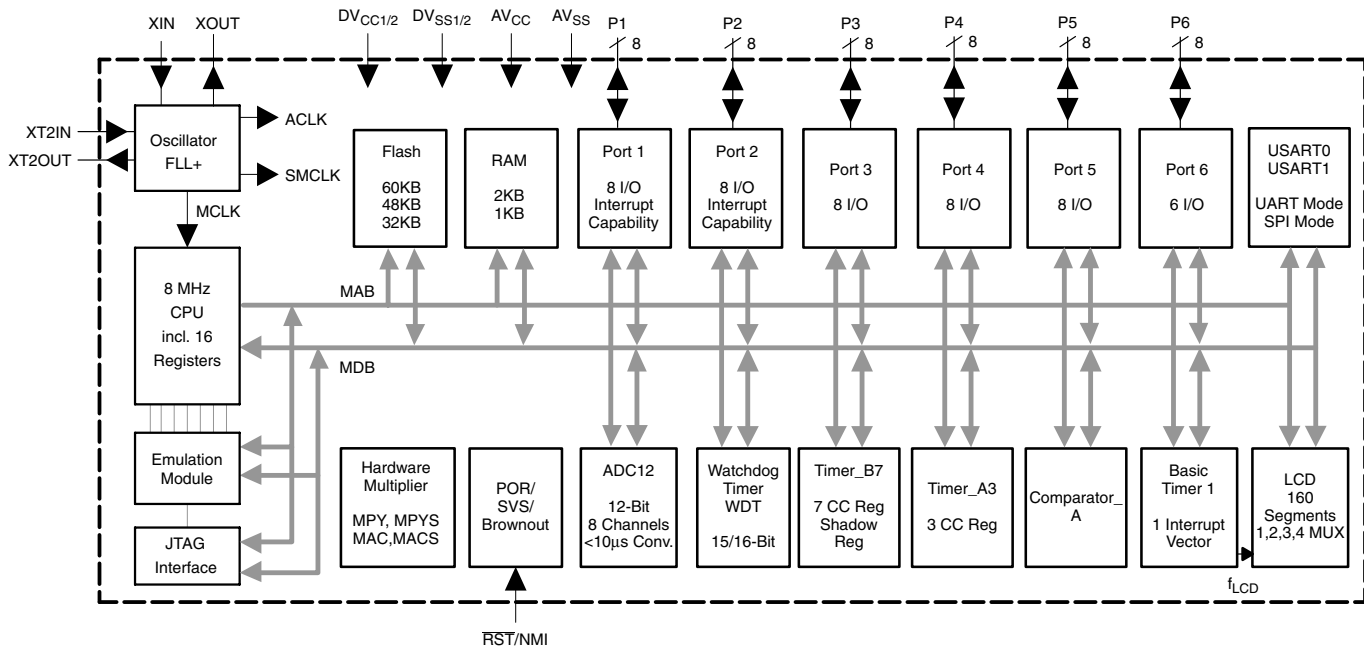
MSP430x43x1, MSP430x43x, MSP430x44x1, MSP430x44x MIXED SIGNAL MICROCONTROLLER

SLAS344G – JANUARY 2002 – REVISED OCTOBER 2009

MSP430x44x1 functional block diagram



MSP430x44x functional block diagram



MSP430x43x1, MSP430x43x, MSP430x44x1, MSP430x44x MIXED SIGNAL MICROCONTROLLER

SLAS344G – JANUARY 2002 – REVISED OCTOBER 2009

MSP430x43x1 Terminal Functions

| TERMINAL | | | | | DESCRIPTION | |
|-------------------|-----|-----|-------------------|-----|-------------|-------------------------------------------------------------------------------------|
| PN NAME | NO. | I/O | PZ NAME | NO. | | I/O |
| DV _{CC1} | 1 | | DV _{CC1} | 1 | | Digital supply voltage, positive terminal. |
| P6.3 | 2 | I/O | P6.3 | 2 | I/O | General-purpose digital I/O |
| P6.4 | 3 | I/O | P6.4 | 3 | I/O | General-purpose digital I/O |
| P6.5 | 4 | I/O | P6.5 | 4 | I/O | General-purpose digital I/O |
| P6.6 | 5 | I/O | P6.6 | 5 | I/O | General-purpose digital I/O |
| P6.7/SVSIN | 6 | I/O | P6.7/SVSIN | 6 | I/O | General-purpose digital I/O / input to brownout, supply voltage supervisor |
| Reserved | 7 | | Reserved | 7 | | Reserved, do not connect externally |
| XIN | 8 | I | XIN | 8 | I | Input port for crystal oscillator XT1. Standard or watch crystals can be connected. |
| XOUT | 9 | O | XOUT | 9 | O | Output terminal of crystal oscillator XT1 |
| DV _{SS} | 10 | I | DV _{SS} | 10 | I | Connect to DV _{SS} |
| DV _{SS} | 11 | I | DV _{SS} | 11 | I | Connect to DV _{SS} |
| P5.1/S0 | 12 | I/O | P5.1/S0 | 12 | I/O | General-purpose digital I/O / LCD segment output 0 |
| P5.0/S1 | 13 | I/O | P5.0/S1 | 13 | I/O | General-purpose digital I/O / LCD segment output 1 |
| P4.7/S2 | 14 | I/O | S2 | 14 | O | General-purpose digital I/O / LCD segment output 2 |
| P4.6/S3 | 15 | I/O | S3 | 15 | O | General-purpose digital I/O / LCD segment output 3 |
| P4.5/S4 | 16 | I/O | S4 | 16 | O | General-purpose digital I/O / LCD segment output 4 |
| P4.4/S5 | 17 | I/O | S5 | 17 | O | General-purpose digital I/O / LCD segment output 5 |
| P4.3/S6 | 18 | I/O | S6 | 18 | O | General-purpose digital I/O / LCD segment output 6 |
| P4.2/S7 | 19 | I/O | S7 | 19 | O | General-purpose digital I/O / LCD segment output 7 |
| P4.1/S8 | 20 | I/O | S8 | 20 | O | General-purpose digital I/O / LCD segment output 8 |
| P4.0/S9 | 21 | I/O | S9 | 21 | O | General-purpose digital I/O / LCD segment output 9 |
| S10 | 22 | O | S10 | 22 | O | LCD segment output 10 |
| S11 | 23 | O | S11 | 23 | O | LCD segment output 11 |
| S12 | 24 | O | S12 | 24 | O | LCD segment output 12 |
| S13 | 25 | O | S13 | 25 | O | LCD segment output 13 |
| S14 | 26 | O | S14 | 26 | O | LCD segment output 14 |
| S15 | 27 | O | S15 | 27 | O | LCD segment output 15 |
| S16 | 28 | O | S16 | 28 | O | LCD segment output 16 |
| S17 | 29 | O | S17 | 29 | O | LCD segment output 17 |
| P2.7/S18 | 30 | I/O | S18 | 30 | O | General-purpose digital I/O / LCD segment output 18 |
| P2.6/CAOUT/S19 | 31 | I/O | S19 | 31 | O | General-purpose digital I/O / Comparator_A output / LCD segment output 19 |
| S20 | 32 | O | S20 | 32 | O | LCD segment output 20 |
| S21 | 33 | O | S21 | 33 | O | LCD segment output 21 |
| S22 | 34 | O | S22 | 34 | O | LCD segment output 22 |
| S23 | 35 | O | S23 | 35 | O | LCD segment output 23 |
| P3.7/S24 | 36 | I/O | S24 | 36 | O | General-purpose digital I/O / LCD segment output 24 |
| P3.6/S25 | 37 | I/O | S25 | 37 | O | General-purpose digital I/O / LCD segment output 25 |
| P3.5/S26 | 38 | I/O | S26 | 38 | O | General-purpose digital I/O / LCD segment output 26 |
| P3.4/S27 | 39 | I/O | S27 | 39 | O | General-purpose digital I/O / LCD segment output 27 |

MSP430x43x1, MSP430x43x, MSP430x44x1, MSP430x44x MIXED SIGNAL MICROCONTROLLER

SLAS344G – JANUARY 2002 – REVISED OCTOBER 2009

MSP430x43x1 Terminal Functions (Continued)

| TERMINAL | | | | | DESCRIPTION | |
|-------------------|-----|-----|-------------------|-----|-------------|-------------------------------------------------------------------------------------------------------------------------|
| PN NAME | NO. | I/O | PZ NAME | NO. | | |
| P3.3/UCLK0/S28 | 40 | I/O | S28 | 40 | O | General-purpose digital I/O / ext. clock i/p—USART0/UART or SPI mode, clock o/p—USART0/SPI mode / LCD segment output 28 |
| P3.2/SOMI0/S29 | 41 | I/O | S29 | 41 | O | General-purpose digital I/O / slave out/master in of USART0/SPI mode / LCD segment output 29 |
| P3.1/SIMO0/S30 | 42 | I/O | S30 | 42 | O | General-purpose digital I/O / slave out/master out of USART0/SPI mode / LCD segment output 30 |
| P3.0/STE0/S31 | 43 | I/O | S31 | 43 | O | General-purpose digital I/O / slave transmit enable-USART0/SPI mode / LCD segment output 31 |
| | | | S32 | 44 | O | LCD segment output 32 |
| | | | S33 | 45 | O | LCD segment output 33 |
| | | | P4.7/S34 | 46 | I/O | General-purpose digital I/O / LCD segment output 34 |
| | | | P4.6/S35 | 47 | I/O | General-purpose digital I/O / LCD segment output 35 |
| | | | P4.5/S36 | 48 | I/O | General-purpose digital I/O / LCD segment output 36 |
| | | | P4.4/S37 | 49 | I/O | General-purpose digital I/O / LCD segment output 37 |
| | | | P4.3/S38 | 50 | I/O | General-purpose digital I/O / LCD segment output 38 |
| | | | P4.2/S39 | 51 | I/O | General-purpose digital I/O / LCD segment output 39 |
| COM0 | 44 | O | COM0 | 52 | O | COM0–3 are used for LCD backplanes. |
| P5.2/COM1 | 45 | I/O | P5.2/COM1 | 53 | I/O | General-purpose digital I/O / common output, COM0–3 are used for LCD backplanes. |
| P5.3/COM2 | 46 | I/O | P5.3/COM2 | 54 | I/O | General-purpose digital I/O / common output, COM0–3 are used for LCD backplanes. |
| P5.4/COM3 | 47 | I/O | P5.4/COM3 | 55 | I/O | General-purpose digital I/O / common output, COM0–3 are used for LCD backplanes. |
| R03 | 48 | I | R03 | 56 | I | Input port of fourth positive (lowest) analog LCD level (V5) |
| P5.5/R13 | 49 | I/O | P5.5/R13 | 57 | I/O | General-purpose digital I/O / input port of third most positive analog LCD level (V4 or V3) |
| P5.6/R23 | 50 | I/O | P5.6/R23 | 58 | I/O | General-purpose digital I/O / input port of second most positive analog LCD level (V2) |
| P5.7/R33 | 51 | I/O | P5.7/R33 | 59 | I/O | General-purpose digital I/O / output port of most positive analog LCD level (V1) |
| DV _{CC2} | 52 | | DV _{CC2} | 60 | | Digital supply voltage, positive terminal. |
| DV _{SS2} | 53 | | DV _{SS2} | 61 | | Digital supply voltage, negative terminal. |
| | | | P4.1 | 62 | I/O | General-purpose digital I/O |
| | | | P4.0 | 63 | I/O | General-purpose digital I/O |
| | | | P3.7 | 64 | I/O | General-purpose digital I/O |
| | | | P3.6 | 65 | I/O | General-purpose digital I/O |
| | | | P3.5 | 66 | I/O | General-purpose digital I/O |
| | | | P3.4 | 67 | I/O | General-purpose digital I/O |
| | | | P3.3/UCLK0 | 68 | I/O | General-purpose digital I/O / external clock input—USART0/UART or SPI mode, clock output—USART0/SPI mode |
| | | | P3.2/SOMI0 | 69 | I/O | General-purpose digital I/O / slave out/master in of USART0/SPI mode |
| | | | P3.1/SIMO0 | 70 | I/O | General-purpose digital I/O / slave in/master out of USART0/SPI mode |
| | | | P3.0/STE0 | 71 | I/O | General-purpose digital I/O / slave transmit enable USART0/SPI mode |
| | | | P2.7 | 72 | I/O | General-purpose digital I/O |
| | | | P2.6/CAOUT | 73 | I/O | General-purpose digital I/O / Comparator_A output |
| P2.5/URXD0 | 54 | I/O | P2.5/URXD0 | 74 | I/O | General-purpose digital I/O / receive data in—USART0/UART mode |



MSP430x43x1, MSP430x43x, MSP430x44x1, MSP430x44x MIXED SIGNAL MICROCONTROLLER

SLAS344G – JANUARY 2002 – REVISED OCTOBER 2009

MSP430x43x1 Terminal Functions (Continued)

| TERMINAL | | | | | | DESCRIPTION |
|------------------------|-----|-----|------------------------|-----|-----|------------------------------------------------------------------------------------------------------------------------------------------------------------------------------------------------------------------|
| PN NAME | NO. | I/O | PZ NAME | NO. | I/O | |
| P2.4/UTXD0 | 55 | I/O | P2.4/UTXD0 | 75 | I/O | General-purpose digital I/O / transmit data out—USART0/UART mode |
| P2.3/TB2 | 56 | I/O | P2.3/TB2 | 76 | I/O | General-purpose digital I/O / Timer_B3 CCR2. Capture: CCI2A/CCI2B input, compare: Out2 output |
| P2.2/TB1 | 57 | I/O | P2.2/TB1 | 77 | I/O | General-purpose digital I/O / Timer_B3 CCR1. Capture: CCI1A/CCI1B input, compare: Out1 output |
| P2.1/TB0 | 58 | I/O | P2.1/TB0 | 78 | I/O | General-purpose digital I/O / Timer_B3 CCR0. Capture: CCI0A/CCI0B input, compare: Out0 output |
| P2.0/TA2 | 59 | I/O | P2.0/TA2 | 79 | I/O | General-purpose digital I/O / Timer_A Capture: CCI2A input, compare: Out2 output |
| P1.7/CA1 | 60 | I/O | P1.7/CA1 | 80 | I/O | General-purpose digital I/O / Comparator_A input |
| P1.6/CA0 | 61 | I/O | P1.6/CA0 | 81 | I/O | General-purpose digital I/O / Comparator_A input |
| P1.5/TACLK/ ACLK | 62 | I/O | P1.5/TACLK/ ACLK | 82 | I/O | General-purpose digital I/O / Timer_A, clock signal TACLK input / ACLK output (divided by 1, 2, 4, or 8) |
| P1.4/TBCLK/ SMCLK | 63 | I/O | P1.4/TBCLK/ SMCLK | 83 | I/O | General-purpose digital I/O / input clock TBCLK—Timer_B3 / submain system clock SMCLK output |
| P1.3/TBOUTH/ SVSOUT | 64 | I/O | P1.3/TBOUTH/ SVSOUT | 84 | I/O | General-purpose digital I/O / switch all PWM digital output ports to high impedance—Timer_B3 TB0 to TB2 / SVS: output of SVS comparator |
| P1.2/TA1 | 65 | I/O | P1.2/TA1 | 85 | I/O | General-purpose digital I/O / Timer_A, Capture: CCI1A input, compare: Out1 output |
| P1.1/TA0/MCLK | 66 | I/O | P1.1/TA0/MCLK | 86 | I/O | General-purpose digital I/O / Timer_A. Capture: CCI0B input / MCLK output. Note: TA0 is only an input on this pin / BSL receive |
| P1.0/TA0 | 67 | I/O | P1.0/TA0 | 87 | I/O | General-purpose digital I/O / Timer_A. Capture: CCI0A input, compare: Out0 output / BSL transmit |
| XT2OUT | 68 | O | XT2OUT | 88 | O | Output terminal of crystal oscillator XT2 |
| XT2IN | 69 | I | XT2IN | 89 | I | Input port for crystal oscillator XT2. Only standard crystals can be connected. |
| TDO/TDI | 70 | I/O | TDO/TDI | 90 | I/O | Test data output port. TDO/TDI data output or programming data input terminal |
| TDI/TCLK | 71 | I | TDI/TCLK | 91 | I | Test data input or test clock input. The device protection fuse is connected to TDI/TCLK. |
| TMS | 72 | I | TMS | 92 | I | Test mode select. TMS is used as an input port for device programming and test. |
| TCK | 73 | I | TCK | 93 | I | Test clock. TCK is the clock input port for device programming and test. |
| RST/NMI | 74 | I | RST/NMI | 94 | I | General-purpose digital I/O / reset input or nonmaskable interrupt input port |
| P6.0 | 75 | I/O | P6.0 | 95 | I/O | General-purpose digital I/O |
| P6.1 | 76 | I/O | P6.1 | 96 | I/O | General-purpose digital I/O |
| P6.2 | 77 | I/O | P6.2 | 97 | I/O | General-purpose digital I/O |
| AV _{SS} | 78 | | AV _{SS} | 98 | | Analog supply voltage, negative terminal. Supplies SVS, brownout, oscillator, comparator_A, port 1, and LCD resistive divider circuitry. |
| DV _{SS1} | 79 | | DV _{SS1} | 99 | | Digital supply voltage, negative terminal. |
| AV _{CC} | 80 | | AV _{CC} | 100 | | Analog supply voltage, positive terminal. Supplies SVS, brownout, oscillator, comparator_A, port 1, and LCD resistive divider circuitry; must not power up prior to DV _{CC1} /DV _{CC2} . |

MSP430x43x1, MSP430x43x, MSP430x44x1, MSP430x44x MIXED SIGNAL MICROCONTROLLER

SLAS344G – JANUARY 2002 – REVISED OCTOBER 2009

MSP430x43x Terminal Functions

| TERMINAL | | | | | | DESCRIPTION |
|--------------------------------------|-----|-----|--------------------------------------|-----|-----|-----------------------------------------------------------------------------------------------------------------------------------------------|
| PN NAME | NO. | I/O | PZ NAME | NO. | I/O | |
| DV _{CC1} | 1 | | DV _{CC1} | 1 | | Digital supply voltage, positive terminal. |
| P6.3/A3 | 2 | I/O | P6.3/A3 | 2 | I/O | General-purpose digital I/O / analog input a3—12-bit ADC |
| P6.4/A4 | 3 | I/O | P6.4/A4 | 3 | I/O | General-purpose digital I/O / analog input a4—12-bit ADC |
| P6.5/A5 | 4 | I/O | P6.5/A5 | 4 | I/O | General-purpose digital I/O / analog input a5—12-bit ADC |
| P6.6/A6 | 5 | I/O | P6.6/A6 | 5 | I/O | General-purpose digital I/O / analog input a6—12-bit ADC |
| P6.7/A7/SVSIN | 6 | I/O | P6.7/A7/SVSIN | 6 | I/O | General-purpose digital I/O / analog input a7—12-bit ADC, analog / input to brownout, supply voltage supervisor |
| V _{REF+} | 7 | O | V _{REF+} | 7 | O | Output of positive terminal of the reference voltage in the ADC |
| XIN | 8 | I | XIN | 8 | I | Input port for crystal oscillator XT1. Standard or watch crystals can be connected. |
| XOUT | 9 | O | XOUT | 9 | O | Output terminal of crystal oscillator XT1 |
| V _{REF+} | 10 | I | V _{REF+} | 10 | I | Input for an external reference voltage to the ADC |
| V _{REF-} /V _{REF-} | 11 | I | V _{REF-} /V _{REF-} | 11 | I | Negative terminal for the ADC's reference voltage for both sources, the internal reference voltage, or an external applied reference voltage. |
| P5.1/S0 | 12 | I/O | P5.1/S0 | 12 | I/O | General-purpose digital I/O / LCD segment output 0 |
| P5.0/S1 | 13 | I/O | P5.0/S1 | 13 | I/O | General-purpose digital I/O / LCD segment output 1 |
| P4.7/S2 | 14 | I/O | S2 | 14 | O | General-purpose digital I/O / LCD segment output 2 |
| P4.6/S3 | 15 | I/O | S3 | 15 | O | General-purpose digital I/O / LCD segment output 3 |
| P4.5/S4 | 16 | I/O | S4 | 16 | O | General-purpose digital I/O / LCD segment output 4 |
| P4.4/S5 | 17 | I/O | S5 | 17 | O | General-purpose digital I/O / LCD segment output 5 |
| P4.3/S6 | 18 | I/O | S6 | 18 | O | General-purpose digital I/O / LCD segment output 6 |
| P4.2/S7 | 19 | I/O | S7 | 19 | O | General-purpose digital I/O / LCD segment output 7 |
| P4.1/S8 | 20 | I/O | S8 | 20 | O | General-purpose digital I/O / LCD segment output 8 |
| P4.0/S9 | 21 | I/O | S9 | 21 | O | General-purpose digital I/O / LCD segment output 9 |
| S10 | 22 | O | S10 | 22 | O | LCD segment output 10 |
| S11 | 23 | O | S11 | 23 | O | LCD segment output 11 |
| S12 | 24 | O | S12 | 24 | O | LCD segment output 12 |
| S13 | 25 | O | S13 | 25 | O | LCD segment output 13 |
| S14 | 26 | O | S14 | 26 | O | LCD segment output 14 |
| S15 | 27 | O | S15 | 27 | O | LCD segment output 15 |
| S16 | 28 | O | S16 | 28 | O | LCD segment output 16 |
| S17 | 29 | O | S17 | 29 | O | LCD segment output 17 |
| P2.7/ADC12CLK/ S18 | 30 | I/O | S18 | 30 | O | General-purpose digital I/O / conversion clock—12-bit ADC / LCD segment output 18 |
| P2.6/CAOUT/S19 | 31 | I/O | S19 | 31 | O | General-purpose digital I/O / Comparator_A output / LCD segment output 19 |
| S20 | 32 | O | S20 | 32 | O | LCD segment output 20 |
| S21 | 33 | O | S21 | 33 | O | LCD segment output 21 |
| S22 | 34 | O | S22 | 34 | O | LCD segment output 22 |
| S23 | 35 | O | S23 | 35 | O | LCD segment output 23 |
| P3.7/S24 | 36 | I/O | S24 | 36 | O | General-purpose digital I/O / LCD segment output 24 |
| P3.6/S25 | 37 | I/O | S25 | 37 | O | General-purpose digital I/O / LCD segment output 25 |
| P3.5/S26 | 38 | I/O | S26 | 38 | O | General-purpose digital I/O / LCD segment output 26 |
| P3.4/S27 | 39 | I/O | S27 | 39 | O | General-purpose digital I/O / LCD segment output 27 |



MSP430x43x1, MSP430x43x, MSP430x44x1, MSP430x44x MIXED SIGNAL MICROCONTROLLER

SLAS344G – JANUARY 2002 – REVISED OCTOBER 2009

MSP430x43x Terminal Functions (Continued)

| PN | | TERMINAL | | | DESCRIPTION | |
|-------------------|-----|----------|-------------------|-----|-------------|-------------------------------------------------------------------------------------------------------------------------|
| NAME | NO. | I/O | PZ NAME | NO. | | I/O |
| P3.3/UCLK0/S28 | 40 | I/O | S28 | 40 | O | General-purpose digital I/O / ext. clock i/p—USART0/UART or SPI mode, clock o/p—USART0/SPI mode / LCD segment output 28 |
| P3.2/SOMI0/S29 | 41 | I/O | S29 | 41 | O | General-purpose digital I/O / slave out/master in of USART0/SPI mode / LCD segment output 29 |
| P3.1/SIMO0/S30 | 42 | I/O | S30 | 42 | O | General-purpose digital I/O / slave out/master out of USART0/SPI mode / LCD segment output 30 |
| P3.0/STE0/S31 | 43 | I/O | S31 | 43 | O | General-purpose digital I/O / slave transmit enable-USART0/SPI mode / LCD segment output 31 |
| | | | S32 | 44 | O | LCD segment output 32 |
| | | | S33 | 45 | O | LCD segment output 33 |
| | | | P4.7/S34 | 46 | I/O | General-purpose digital I/O / LCD segment output 34 |
| | | | P4.6/S35 | 47 | I/O | General-purpose digital I/O / LCD segment output 35 |
| | | | P4.5/S36 | 48 | I/O | General-purpose digital I/O / LCD segment output 36 |
| | | | P4.4/S37 | 49 | I/O | General-purpose digital I/O / LCD segment output 37 |
| | | | P4.3/S38 | 50 | I/O | General-purpose digital I/O / LCD segment output 38 |
| | | | P4.2/S39 | 51 | I/O | General-purpose digital I/O / LCD segment output 39 |
| COM0 | 44 | O | COM0 | 52 | O | COM0–3 are used for LCD backplanes. |
| P5.2/COM1 | 45 | I/O | P5.2/COM1 | 53 | I/O | General-purpose digital I/O / common output, COM0–3 are used for LCD backplanes. |
| P5.3/COM2 | 46 | I/O | P5.3/COM2 | 54 | I/O | General-purpose digital I/O / common output, COM0–3 are used for LCD backplanes. |
| P5.4/COM3 | 47 | I/O | P5.4/COM3 | 55 | I/O | General-purpose digital I/O / common output, COM0–3 are used for LCD backplanes. |
| R03 | 48 | I | R03 | 56 | I | Input port of fourth positive (lowest) analog LCD level (V5) |
| P5.5/R13 | 49 | I/O | P5.5/R13 | 57 | I/O | General-purpose digital I/O / input port of third most positive analog LCD level (V4 or V3) |
| P5.6/R23 | 50 | I/O | P5.6/R23 | 58 | I/O | General-purpose digital I/O / input port of second most positive analog LCD level (V2) |
| P5.7/R33 | 51 | I/O | P5.7/R33 | 59 | I/O | General-purpose digital I/O / output port of most positive analog LCD level (V1) |
| DV _{CC2} | 52 | | DV _{CC2} | 60 | | Digital supply voltage, positive terminal. |
| DV _{SS2} | 53 | | DV _{SS2} | 61 | | Digital supply voltage, negative terminal. |
| | | | P4.1 | 62 | I/O | General-purpose digital I/O |
| | | | P4.0 | 63 | I/O | General-purpose digital I/O |
| | | | P3.7 | 64 | I/O | General-purpose digital I/O |
| | | | P3.6 | 65 | I/O | General-purpose digital I/O |
| | | | P3.5 | 66 | I/O | General-purpose digital I/O |
| | | | P3.4 | 67 | I/O | General-purpose digital I/O |
| | | | P3.3/UCLK0 | 68 | I/O | General-purpose digital I/O / external clock input—USART0/UART or SPI mode, clock output—USART0/SPI mode |
| | | | P3.2/SOMI0 | 69 | I/O | General-purpose digital I/O / slave out/master in of USART0/SPI mode |
| | | | P3.1/SIMO0 | 70 | I/O | General-purpose digital I/O / slave in/master out of USART0/SPI mode |
| | | | P3.0/STE0 | 71 | I/O | General-purpose digital I/O / slave transmit enable USART0/SPI mode |
| | | | P2.7/ADC12CLK | 72 | I/O | General-purpose digital I/O / conversion clock—12-bit ADC |
| | | | P2.6/CAOUT | 73 | I/O | General-purpose digital I/O / Comparator_A output |
| P2.5/URXD0 | 54 | I/O | P2.5/URXD0 | 74 | I/O | General-purpose digital I/O / receive data in—USART0/UART mode |

MSP430x43x1, MSP430x43x, MSP430x44x1, MSP430x44x MIXED SIGNAL MICROCONTROLLER

SLAS344G – JANUARY 2002 – REVISED OCTOBER 2009

MSP430x43x Terminal Functions (Continued)

| TERMINAL | | | | | DESCRIPTION | |
|------------------------|-----|-----|------------------------|-----|-------------|-------------------------------------------------------------------------------------------------------------------------------------------------------------------------------------------------------------------------|
| PN NAME | NO. | I/O | PZ NAME | NO. | | I/O |
| P2.4/UTXD0 | 55 | I/O | P2.4/UTXD0 | 75 | I/O | General-purpose digital I/O / transmit data out—USART0/UART mode |
| P2.3/TB2 | 56 | I/O | P2.3/TB2 | 76 | I/O | General-purpose digital I/O / Timer_B3 CCR2. Capture: CCI2A/CCI2B input, compare: Out2 output |
| P2.2/TB1 | 57 | I/O | P2.2/TB1 | 77 | I/O | General-purpose digital I/O / Timer_B3 CCR1. Capture: CCI1A/CCI1B input, compare: Out1 output |
| P2.1/TB0 | 58 | I/O | P2.1/TB0 | 78 | I/O | General-purpose digital I/O / Timer_B3 CCR0. Capture: CCI0A/CCI0B input, compare: Out0 output |
| P2.0/TA2 | 59 | I/O | P2.0/TA2 | 79 | I/O | General-purpose digital I/O / Timer_A Capture: CCI2A input, compare: Out2 output |
| P1.7/CA1 | 60 | I/O | P1.7/CA1 | 80 | I/O | General-purpose digital I/O / Comparator_A input |
| P1.6/CA0 | 61 | I/O | P1.6/CA0 | 81 | I/O | General-purpose digital I/O / Comparator_A input |
| P1.5/TACLK/ ACLK | 62 | I/O | P1.5/TACLK/ ACLK | 82 | I/O | General-purpose digital I/O / Timer_A, clock signal TACLK input / ACLK output (divided by 1, 2, 4, or 8) |
| P1.4/TBCLK/ SMCLK | 63 | I/O | P1.4/TBCLK/ SMCLK | 83 | I/O | General-purpose digital I/O / input clock TBCLK—Timer_B3 / submain system clock SMCLK output |
| P1.3/TBOUTH/ SVSOUT | 64 | I/O | P1.3/TBOUTH/ SVSOUT | 84 | I/O | General-purpose digital I/O / switch all PWM digital output ports to high impedance—Timer_B3 TB0 to TB2 / SVS: output of SVS comparator |
| P1.2/TA1 | 65 | I/O | P1.2/TA1 | 85 | I/O | General-purpose digital I/O / Timer_A, Capture: CCI1A input, compare: Out1 output |
| P1.1/TA0/MCLK | 66 | I/O | P1.1/TA0/MCLK | 86 | I/O | General-purpose digital I/O / Timer_A. Capture: CCI0B input / MCLK output. Note: TA0 is only an input on this pin / BSL receive |
| P1.0/TA0 | 67 | I/O | P1.0/TA0 | 87 | I/O | General-purpose digital I/O / Timer_A. Capture: CCI0A input, compare: Out0 output / BSL transmit |
| XT2OUT | 68 | O | XT2OUT | 88 | O | Output terminal of crystal oscillator XT2 |
| XT2IN | 69 | I | XT2IN | 89 | I | Input port for crystal oscillator XT2. Only standard crystals can be connected. |
| TDO/TDI | 70 | I/O | TDO/TDI | 90 | I/O | Test data output port. TDO/TDI data output or programming data input terminal |
| TDI/TCLK | 71 | I | TDI/TCLK | 91 | I | Test data input or test clock input. The device protection fuse is connected to TDI/TCLK. |
| TMS | 72 | I | TMS | 92 | I | Test mode select. TMS is used as an input port for device programming and test. |
| TCK | 73 | I | TCK | 93 | I | Test clock. TCK is the clock input port for device programming and test. |
| RST/NMI | 74 | I | RST/NMI | 94 | I | General-purpose digital I/O / reset input or nonmaskable interrupt input port |
| P6.0/A0 | 75 | I/O | P6.0/A0 | 95 | I/O | General-purpose digital I/O / analog input a0 – 12-bit ADC |
| P6.1/A1 | 76 | I/O | P6.1/A1 | 96 | I/O | General-purpose digital I/O / analog input a1 – 12-bit ADC |
| P6.2/A2 | 77 | I/O | P6.2/A2 | 97 | I/O | General-purpose digital I/O / analog input a2 – 12-bit ADC |
| AV _{SS} | 78 | | AV _{SS} | 98 | | Analog supply voltage, negative terminal. Supplies SVS, brownout, oscillator, comparator_A, ADC12, port 1, and LCD resistive divider circuitry. |
| DV _{SS1} | 79 | | DV _{SS1} | 99 | | Digital supply voltage, negative terminal. |
| AV _{CC} | 80 | | AV _{CC} | 100 | | Analog supply voltage, positive terminal. Supplies SVS, brownout, oscillator, comparator_A, ADC12, port 1, and LCD resistive divider circuitry; must not power up prior to DV _{CC1} /DV _{CC2} . |



MSP430x43x1, MSP430x43x, MSP430x44x1, MSP430x44x MIXED SIGNAL MICROCONTROLLER

SLAS344G – JANUARY 2002 – REVISED OCTOBER 2009

MSP430x44x1 Terminal Functions

| TERMINAL NAME | NO. | I/O | DESCRIPTION |
|-------------------|-----|-----|-------------------------------------------------------------------------------------|
| DV _{CC1} | 1 | | Digital supply voltage, positive terminal. |
| P6.3 | 2 | I/O | General-purpose digital I/O |
| P6.4 | 3 | I/O | General-purpose digital I/O |
| P6.5 | 4 | I/O | General-purpose digital I/O |
| P6.6 | 5 | I/O | General-purpose digital I/O |
| P6.7/SVSIN | 6 | I/O | General-purpose digital I/O / analog input to brownout, supply voltage supervisor |
| Reserved | 7 | O | Reserved, do not connect externally |
| XIN | 8 | I | Input port for crystal oscillator XT1. Standard or watch crystals can be connected. |
| XOUT | 9 | O | Output terminal of crystal oscillator XT1 |
| DV _{SS} | 10 | I | Connect to DV _{SS} |
| DV _{SS} | 11 | I | Connect to DV _{SS} |
| P5.1/S0 | 12 | I/O | General-purpose digital I/O / LCD segment output 0 |
| P5.0/S1 | 13 | I/O | General-purpose digital I/O / LCD segment output 1 |
| S2 | 14 | O | LCD segment output 2 |
| S3 | 15 | O | LCD segment output 3 |
| S4 | 16 | O | LCD segment output 4 |
| S5 | 17 | O | LCD segment output 5 |
| S6 | 18 | O | LCD segment output 6 |
| S7 | 19 | O | LCD segment output 7 |
| S8 | 20 | O | LCD segment output 8 |
| S9 | 21 | O | LCD segment output 9 |
| S10 | 22 | O | LCD segment output 10 |
| S11 | 23 | O | LCD segment output 11 |
| S12 | 24 | O | LCD segment output 12 |
| S13 | 25 | O | LCD segment output 13 |
| S14 | 26 | O | LCD segment output 14 |
| S15 | 27 | O | LCD segment output 15 |
| S16 | 28 | O | LCD segment output 16 |
| S17 | 29 | O | LCD segment output 17 |
| S18 | 30 | O | LCD segment output 18 |
| S19 | 31 | O | LCD segment output 19 |
| S20 | 32 | O | LCD segment output 20 |
| S21 | 33 | O | LCD segment output 21 |
| S22 | 34 | O | LCD segment output 22 |
| S23 | 35 | O | LCD segment output 23 |
| S24 | 36 | O | LCD segment output 24 |
| S25 | 37 | O | LCD segment output 25 |
| S26 | 38 | O | LCD segment output 26 |
| S27 | 39 | O | LCD segment output 27 |
| S28 | 40 | O | LCD segment output 28 |

MSP430x43x1, MSP430x43x, MSP430x44x1, MSP430x44x MIXED SIGNAL MICROCONTROLLER

SLAS344G – JANUARY 2002 – REVISED OCTOBER 2009

MSP430x44x1 Terminal Functions (Continued)

| TERMINAL | | I/O | DESCRIPTION |
|-------------------|-----|-----|----------------------------------------------------------------------------------------------------------------------------------|
| PN NAME | NO. | | |
| S29 | 41 | O | LCD segment output 29 |
| S30 | 42 | O | LCD segment output 30 |
| S31 | 43 | O | LCD segment output 31 |
| S32 | 44 | O | LCD segment output 32 |
| S33 | 45 | O | LCD segment output 33 |
| P4.7/S34 | 46 | I/O | General-purpose digital I/O / LCD segment output 34 |
| P4.6/S35 | 47 | I/O | General-purpose digital I/O / LCD segment output 35 |
| P4.5/UCLK1/S36 | 48 | I/O | General-purpose digital I/O / external clock input—USART1/UART or SPI mode, clock output—USART1/SPI MODE / LCD segment output 36 |
| P4.4/SOMI1/S37 | 49 | I/O | General-purpose digital I/O / slave out/master in of USART1/SPI mode / LCD segment output 37 |
| P4.3/SIMO1/S38 | 50 | I/O | General-purpose digital I/O / slave in/master out of USART1/SPI mode / LCD segment output 38 |
| P4.2/STE1/S39 | 51 | I/O | General-purpose digital I/O / slave transmit enable—USART1/SPI mode / LCD segment output 39 |
| COM0 | 52 | O | COM0–3 are used for LCD backplanes. |
| P5.2/COM1 | 53 | I/O | General-purpose digital I/O / common output, COM0–3 are used for LCD backplanes. |
| P5.3/COM2 | 54 | I/O | General-purpose digital I/O / common output, COM0–3 are used for LCD backplanes. |
| P5.4/COM3 | 55 | I/O | General-purpose digital I/O / common output, COM0–3 are used for LCD backplanes. |
| R03 | 56 | I | Input port of fourth positive (lowest) analog LCD level (V5) |
| P5.5/R13 | 57 | I/O | General-purpose digital I/O / Input port of third most positive analog LCD level (V4 or V3) |
| P5.6/R23 | 58 | I/O | General-purpose digital I/O / Input port of second most positive analog LCD level (V2) |
| P5.7/R33 | 59 | I/O | General-purpose digital I/O / Output port of most positive analog LCD level (V1) |
| DV _{CC2} | 60 | | Digital supply voltage, positive terminal. |
| DV _{SS2} | 61 | | Digital supply voltage, negative terminal. |
| P4.1/URXD1 | 62 | I/O | General-purpose digital I/O / receive data in—USART1/UART mode |
| P4.0/UTXD1 | 63 | I/O | General-purpose digital I/O / transmit data out—USART1/UART mode |
| P3.7/TB6 | 64 | I/O | General-purpose digital I/O / Timer_B7 CCR6 / Capture: CCI6A/CCI6B input, compare: Out6 output |
| P3.6/TB5 | 65 | I/O | General-purpose digital I/O / Timer_B7 CCR5 / Capture: CCI5A/CCI5B input, compare: Out5 output |
| P3.5/TB4 | 66 | I/O | General-purpose digital I/O / Timer_B7 CCR4 / Capture: CCI4A/CCI4B input, compare: Out4 output |
| P3.4/TB3 | 67 | I/O | General-purpose digital I/O / Timer_B7 CCR3 / Capture: CCI3A/CCI3B input, compare: Out3 output |
| P3.3/UCLK0 | 68 | I/O | General-purpose digital I/O / external clock input—USART0/UART or SPI mode, clock output—USART0/SPI mode |
| P3.2/SOMI0 | 69 | I/O | General-purpose digital I/O / slave out/master in of USART0/SPI mode |
| P3.1/SIMO0 | 70 | I/O | General-purpose digital I/O / slave in/master out of USART0/SPI mode |
| P3.0/STE0 | 71 | I/O | General-purpose digital I/O / slave transmit enable—USART0/SPI mode |
| P2.7 | 72 | I/O | General-purpose digital I/O |
| P2.6/CAOUT | 73 | I/O | General-purpose digital I/O / Comparator_A output |
| P2.5/URXD0 | 74 | I/O | General-purpose digital I/O / receive data in—USART0/UART mode |
| P2.4/UTXD0 | 75 | I/O | General-purpose digital I/O / transmit data out—USART0/UART mode |
| P2.3/TB2 | 76 | I/O | General-purpose digital I/O / Timer_B7 CCR2. Capture: CCI2A/CCI2B input, compare: Out2 output |
| P2.2/TB1 | 77 | I/O | General-purpose digital I/O / Timer_B7 CCR1. Capture: CCI1A/CCI1B input, compare: Out1 output |
| P2.1/TB0 | 78 | I/O | General-purpose digital I/O / Timer_B7 CCR0. Capture: CCI0A/CCI0B input, compare: Out0 output |
| P2.0/TA2 | 79 | I/O | General-purpose digital I/O / Timer_A Capture: CCI2A input, compare: Out2 output |
| P1.7/CA1 | 80 | I/O | General-purpose digital I/O / Comparator_A input |



MSP430x43x1, MSP430x43x, MSP430x44x1, MSP430x44x MIXED SIGNAL MICROCONTROLLER

SLAS344G – JANUARY 2002 – REVISED OCTOBER 2009

MSP430x44x1 Terminal Functions (Continued)

| TERMINAL | | I/O | DESCRIPTION |
|------------------------|-----|-----|------------------------------------------------------------------------------------------------------------------------------------------------------------------------------------------------------------|
| PN NAME | NO. | | |
| P1.6/CA0 | 81 | I/O | General-purpose digital I/O / Comparator_A input |
| P1.5/TACLK/ ACLK | 82 | I/O | General-purpose digital I/O / Timer_A, clock signal TACLK input / ACLK output (divided by 1, 2, 4, or 8) |
| P1.4/TBCLK/ SMCLK | 83 | I/O | General-purpose digital I/O / input clock TBCLK—Timer_B7 / submain system clock SMCLK output |
| P1.3/TBOUTH/ SVSOUT | 84 | I/O | General-purpose digital I/O / switch all PWM digital output ports to high impedance—Timer_B7 TB0 to TB6 / SVS: output of SVS comparator |
| P1.2/TA1 | 85 | I/O | General-purpose digital I/O / Timer_A, Capture: CCI1A input, compare: Out1 output |
| P1.1/TA0/MCLK | 86 | I/O | General-purpose digital I/O / Timer_A. Capture: CCI0B input / MCLK output. Note: TA0 is only an input on this pin / BSL receive |
| P1.0/TA0 | 87 | I/O | General-purpose digital I/O / Timer_A. Capture: CCI0A input, compare: Out0 output / BSL transmit |
| XT2OUT | 88 | O | Output terminal of crystal oscillator XT2 |
| XT2IN | 89 | I | Input port for crystal oscillator XT2. Only standard crystals can be connected. |
| TDO/TDI | 90 | I/O | Test data output port. TDO/TDI data output or programming data input terminal |
| TDI/TCLK | 91 | I | Test data input or test clock input. The device protection fuse is connected to TDI/TCLK. |
| TMS | 92 | I | Test mode select. TMS is used as an input port for device programming and test. |
| TCK | 93 | I | Test clock. TCK is the clock input port for device programming and test. |
| RST/NMI | 94 | I | Reset input or nonmaskable interrupt input port |
| P6.0 | 95 | I/O | General-purpose digital I/O |
| P6.1 | 96 | I/O | General-purpose digital I/O |
| P6.2 | 97 | I/O | General-purpose digital I/O |
| AV _{SS} | 98 | | Analog supply voltage, negative terminal. Supplies SVS, brownout, oscillator, comparator_A, port 1, and LCD resistive divider circuitry. |
| DV _{SS1} | 99 | | Digital supply voltage, negative terminal. |
| AV _{CC} | 100 | | Analog supply voltage, positive terminal. Supplies SVS, brownout, oscillator, comparator_A, port 1, and LCD resistive divider circuitry; must not power up prior to DV _{CC1} /DV _{CC2} . |

MSP430x43x1, MSP430x43x, MSP430x44x1, MSP430x44x MIXED SIGNAL MICROCONTROLLER

SLAS344G – JANUARY 2002 – REVISED OCTOBER 2009

MSP430x44x Terminal Functions

| TERMINAL NAME | NO. | I/O | DESCRIPTION |
|--------------------------------------|-----|-----|----------------------------------------------------------------------------------------------------------------------------------------------|
| DV _{CC1} | 1 | | Digital supply voltage, positive terminal. |
| P6.3/A3 | 2 | I/O | General-purpose digital I/O / analog input a3—12-bit ADC |
| P6.4/A4 | 3 | I/O | General-purpose digital I/O / analog input a4—12-bit ADC |
| P6.5/A5 | 4 | I/O | General-purpose digital I/O / analog input a5—12-bit ADC |
| P6.6/A6 | 5 | I/O | General-purpose digital I/O / analog input a6—12-bit ADC |
| P6.7/A7/SVSIN | 6 | I/O | General-purpose digital I/O / analog input a7—12-bit ADC / analog input to brownout, supply voltage supervisor |
| V _{REF+} | 7 | O | Output of positive terminal of the reference voltage in the ADC |
| XIN | 8 | I | Input port for crystal oscillator XT1. Standard or watch crystals can be connected. |
| XOUT | 9 | O | Output terminal of crystal oscillator XT1 |
| V _{REF+} | 10 | I | Input for an external reference voltage to the ADC |
| V _{REF-} /V _{REF-} | 11 | I | Negative terminal for the ADC's reference voltage for both sources, the internal reference voltage, or an external applied reference voltage |
| P5.1/S0 | 12 | I/O | General-purpose digital I/O / LCD segment output 0 |
| P5.0/S1 | 13 | I/O | General-purpose digital I/O / LCD segment output 1 |
| S2 | 14 | O | LCD segment output 2 |
| S3 | 15 | O | LCD segment output 3 |
| S4 | 16 | O | LCD segment output 4 |
| S5 | 17 | O | LCD segment output 5 |
| S6 | 18 | O | LCD segment output 6 |
| S7 | 19 | O | LCD segment output 7 |
| S8 | 20 | O | LCD segment output 8 |
| S9 | 21 | O | LCD segment output 9 |
| S10 | 22 | O | LCD segment output 10 |
| S11 | 23 | O | LCD segment output 11 |
| S12 | 24 | O | LCD segment output 12 |
| S13 | 25 | O | LCD segment output 13 |
| S14 | 26 | O | LCD segment output 14 |
| S15 | 27 | O | LCD segment output 15 |
| S16 | 28 | O | LCD segment output 16 |
| S17 | 29 | O | LCD segment output 17 |
| S18 | 30 | O | LCD segment output 18 |
| S19 | 31 | O | LCD segment output 19 |
| S20 | 32 | O | LCD segment output 20 |
| S21 | 33 | O | LCD segment output 21 |
| S22 | 34 | O | LCD segment output 22 |
| S23 | 35 | O | LCD segment output 23 |
| S24 | 36 | O | LCD segment output 24 |
| S25 | 37 | O | LCD segment output 25 |
| S26 | 38 | O | LCD segment output 26 |
| S27 | 39 | O | LCD segment output 27 |
| S28 | 40 | O | LCD segment output 28 |

MSP430x43x1, MSP430x43x, MSP430x44x1, MSP430x44x MIXED SIGNAL MICROCONTROLLER

SLAS344G – JANUARY 2002 – REVISED OCTOBER 2009

MSP430x44x Terminal Functions (Continued)

| TERMINAL | | I/O | DESCRIPTION |
|-------------------|-----|-----|----------------------------------------------------------------------------------------------------------------------------------|
| PN NAME | NO. | | |
| S29 | 41 | O | LCD segment output 29 |
| S30 | 42 | O | LCD segment output 30 |
| S31 | 43 | O | LCD segment output 31 |
| S32 | 44 | O | LCD segment output 32 |
| S33 | 45 | O | LCD segment output 33 |
| P4.7/S34 | 46 | I/O | General-purpose digital I/O / LCD segment output 34 |
| P4.6/S35 | 47 | I/O | General-purpose digital I/O / LCD segment output 35 |
| P4.5/UCLK1/S36 | 48 | I/O | General-purpose digital I/O / external clock input—USART1/UART or SPI mode, clock output—USART1/SPI MODE / LCD segment output 36 |
| P4.4/SOMI1/S37 | 49 | I/O | General-purpose digital I/O / slave out/master in of USART1/SPI mode / LCD segment output 37 |
| P4.3/SIMO1/S38 | 50 | I/O | General-purpose digital I/O / slave in/master out of USART1/SPI mode / LCD segment output 38 |
| P4.2/STE1/S39 | 51 | I/O | General-purpose digital I/O / slave transmit enable—USART1/SPI mode / LCD segment output 39 |
| COM0 | 52 | O | COM0–3 are used for LCD backplanes. |
| P5.2/COM1 | 53 | I/O | General-purpose digital I/O / common output, COM0–3 are used for LCD backplanes. |
| P5.3/COM2 | 54 | I/O | General-purpose digital I/O / common output, COM0–3 are used for LCD backplanes. |
| P5.4/COM3 | 55 | I/O | General-purpose digital I/O / common output, COM0–3 are used for LCD backplanes. |
| R03 | 56 | I | Input port of fourth positive (lowest) analog LCD level (V5) |
| P5.5/R13 | 57 | I/O | General-purpose digital I/O / Input port of third most positive analog LCD level (V4 or V3) |
| P5.6/R23 | 58 | I/O | General-purpose digital I/O / Input port of second most positive analog LCD level (V2) |
| P5.7/R33 | 59 | I/O | General-purpose digital I/O / Output port of most positive analog LCD level (V1) |
| DV _{CC2} | 60 | | Digital supply voltage, positive terminal. |
| DV _{SS2} | 61 | | Digital supply voltage, negative terminal. |
| P4.1/URXD1 | 62 | I/O | General-purpose digital I/O / receive data in—USART1/UART mode |
| P4.0/UTXD1 | 63 | I/O | General-purpose digital I/O / transmit data out—USART1/UART mode |
| P3.7/TB6 | 64 | I/O | General-purpose digital I/O / Timer_B7 CCR6 / Capture: CCI6A/CCI6B input, compare: Out6 output |
| P3.6/TB5 | 65 | I/O | General-purpose digital I/O / Timer_B7 CCR5 / Capture: CCI5A/CCI5B input, compare: Out5 output |
| P3.5/TB4 | 66 | I/O | General-purpose digital I/O / Timer_B7 CCR4 / Capture: CCI4A/CCI4B input, compare: Out4 output |
| P3.4/TB3 | 67 | I/O | General-purpose digital I/O / Timer_B7 CCR3 / Capture: CCI3A/CCI3B input, compare: Out3 output |
| P3.3/UCLK0 | 68 | I/O | General-purpose digital I/O / external clock input—USART0/UART or SPI mode, clock output—USART0/SPI mode |
| P3.2/SOMI0 | 69 | I/O | General-purpose digital I/O / slave out/master in of USART0/SPI mode |
| P3.1/SIMO0 | 70 | I/O | General-purpose digital I/O / slave in/master out of USART0/SPI mode |
| P3.0/STE0 | 71 | I/O | General-purpose digital I/O / slave transmit enable—USART0/SPI mode |
| P2.7/ADC12CLK | 72 | I/O | General-purpose digital I/O / conversion clock—12-bit ADC |
| P2.6/CAOUT | 73 | I/O | General-purpose digital I/O / Comparator_A output |
| P2.5/URXD0 | 74 | I/O | General-purpose digital I/O / receive data in—USART0/UART mode |
| P2.4/UTXD0 | 75 | I/O | General-purpose digital I/O / transmit data out—USART0/UART mode |
| P2.3/TB2 | 76 | I/O | General-purpose digital I/O / Timer_B7 CCR2. Capture: CCI2A/CCI2B input, compare: Out2 output |
| P2.2/TB1 | 77 | I/O | General-purpose digital I/O / Timer_B7 CCR1. Capture: CCI1A/CCI1B input, compare: Out1 output |
| P2.1/TB0 | 78 | I/O | General-purpose digital I/O / Timer_B7 CCR0. Capture: CCI0A/CCI0B input, compare: Out0 output |
| P2.0/TA2 | 79 | I/O | General-purpose digital I/O / Timer_A Capture: CCI2A input, compare: Out2 output |
| P1.7/CA1 | 80 | I/O | General-purpose digital I/O / Comparator_A input |

MSP430x43x1, MSP430x43x, MSP430x44x1, MSP430x44x MIXED SIGNAL MICROCONTROLLER

SLAS344G – JANUARY 2002 – REVISED OCTOBER 2009

MSP430x44x Terminal Functions (Continued)

| TERMINAL | | I/O | DESCRIPTION |
|------------------------|-----|-----|-------------------------------------------------------------------------------------------------------------------------------------------------------------------------------------------------------------------|
| PN NAME | NO. | | |
| P1.6/CA0 | 81 | I/O | General-purpose digital I/O / Comparator_A input |
| P1.5/TACLK/ ACLK | 82 | I/O | General-purpose digital I/O / Timer_A, clock signal TACLK input / ACLK output (divided by 1, 2, 4, or 8) |
| P1.4/TBCLK/ SMCLK | 83 | I/O | General-purpose digital I/O / input clock TBCLK—Timer_B7 / submain system clock SMCLK output |
| P1.3/TBOUTH/ SVSOUT | 84 | I/O | General-purpose digital I/O / switch all PWM digital output ports to high impedance—Timer_B7 TB0 to TB6 / SVS: output of SVS comparator |
| P1.2/TA1 | 85 | I/O | General-purpose digital I/O / Timer_A, Capture: CCI1A input, compare: Out1 output |
| P1.1/TA0/MCLK | 86 | I/O | General-purpose digital I/O / Timer_A, Capture: CCI0B input / MCLK output. Note: TA0 is only an input on this pin / BSL receive |
| P1.0/TA0 | 87 | I/O | General-purpose digital I/O / Timer_A, Capture: CCI0A input, compare: Out0 output / BSL transmit |
| XT2OUT | 88 | O | Output terminal of crystal oscillator XT2 |
| XT2IN | 89 | I | Input port for crystal oscillator XT2. Only standard crystals can be connected. |
| TDO/TDI | 90 | I/O | Test data output port. TDO/TDI data output or programming data input terminal |
| TDI/TCLK | 91 | I | Test data input or test clock input. The device protection fuse is connected to TDI/TCLK. |
| TMS | 92 | I | Test mode select. TMS is used as an input port for device programming and test. |
| TCK | 93 | I | Test clock. TCK is the clock input port for device programming and test. |
| RST/NMI | 94 | I | Reset input or nonmaskable interrupt input port |
| P6.0/A0 | 95 | I/O | General-purpose digital I/O, analog input a0—12-bit ADC |
| P6.1/A1 | 96 | I/O | General-purpose digital I/O, analog input a1—12-bit ADC |
| P6.2/A2 | 97 | I/O | General-purpose digital I/O, analog input a2—12-bit ADC |
| AV _{SS} | 98 | | Analog supply voltage, negative terminal. Supplies SVS, brownout, oscillator, comparator_A, ADC12, port 1, and LCD resistive divider circuitry. |
| DV _{SS1} | 99 | | Digital supply voltage, negative terminal. |
| AV _{CC} | 100 | | Analog supply voltage, positive terminal. Supplies SVS, brownout, oscillator, comparator_A, ADC12, port 1, and LCD resistive divider circuitry; must not power up prior to DV _{CC1} /DV _{CC2} . |



short-form description

CPU

The MSP430 CPU has a 16-bit RISC architecture that is highly transparent to the application. All operations, other than program-flow instructions, are performed as register operations in conjunction with seven addressing modes for source operand and four addressing modes for destination operand.

The CPU is integrated with 16 registers that provide reduced instruction execution time. The register-to-register operation execution time is one cycle of the CPU clock.

Four of the registers, R0 to R3, are dedicated as program counter, stack pointer, status register, and constant generator respectively. The remaining registers are general-purpose registers.

Peripherals are connected to the CPU using data, address, and control buses, and can be handled with all instructions.

| | |
|--------------------------|-----------|
| Program Counter | PC/R0 |
| Stack Pointer | SP/R1 |
| Status Register | SR/CG1/R2 |
| Constant Generator | CG2/R3 |
| General-Purpose Register | R4 |
| General-Purpose Register | R5 |
| General-Purpose Register | R6 |
| General-Purpose Register | R7 |
| General-Purpose Register | R8 |
| General-Purpose Register | R9 |
| General-Purpose Register | R10 |
| General-Purpose Register | R11 |
| General-Purpose Register | R12 |
| General-Purpose Register | R13 |
| General-Purpose Register | R14 |
| General-Purpose Register | R15 |

instruction set

The instruction set consists of 51 instructions with three formats and seven address modes. Each instruction can operate on word and byte data. Table 1 shows examples of the three types of instruction formats; Table 2 shows the address modes.

Table 1. Instruction Word Formats

| | | |
|-----------------------------------|----------------|-----------------------|
| Dual operands, source-destination | e.g. ADD R4,R5 | R4 + R5 ----> R5 |
| Single operands, destination only | e.g. CALL R8 | PC -->(TOS), R8--> PC |
| Relative jump, un/conditional | e.g. JNE | Jump-on-equal bit = 0 |

Table 2. Address Mode Descriptions

| ADDRESS MODE | S | D | SYNTAX | EXAMPLE | OPERATION |
|------------------------|---|---|-----------------|------------------|----------------------------------|
| Register | ● | ● | MOV Rs,Rd | MOV R10,R11 | R10 --> R11 |
| Indexed | ● | ● | MOV X(Rn),Y(Rm) | MOV 2(R5),6(R6) | M(2+R5)--> M(6+R6) |
| Symbolic (PC relative) | ● | ● | MOV EDE,TONI | | M(EDE) --> M(TONI) |
| Absolute | ● | ● | MOV &MEM,&TCDAT | | M(MEM) --> M(TCDAT) |
| Indirect | ● | | MOV @Rn,Y(Rm) | MOV @R10,Tab(R6) | M(R10) --> M(Tab+R6) |
| Indirect autoincrement | ● | | MOV @Rn+,Rm | MOV @R10+,R11 | M(R10) --> R11 R10 + 2--> R10 |
| Immediate | ● | | MOV #X,TONI | MOV #45,TONI | #45 --> M(TONI) |

NOTE: S = source D = destination

MSP430x43x1, MSP430x43x, MSP430x44x1, MSP430x44x MIXED SIGNAL MICROCONTROLLER

SLAS344G – JANUARY 2002 – REVISED OCTOBER 2009

operating modes

The MSP430 has one active mode and five software selectable low-power modes of operation. An interrupt event can wake up the device from any of the five low-power modes, service the request and restore back to the low-power mode on return from the interrupt program.

The following six operating modes can be configured by software:

- Active mode (AM)
 - All clocks are active
- Low-power mode 0 (LPM0)
 - CPU is disabled
 - ACLK and SMCLK remain active, MCLK is disabled
 - FLL+ loop control remains active
- Low-power mode 1 (LPM1)
 - CPU is disabled
 - FLL+ loop control is disabled
 - ACLK and SMCLK remain active, MCLK is disabled
- Low-power mode 2 (LPM2)
 - CPU is disabled
 - MCLK, FLL+ loop control, and DCOCLK are disabled
 - DCO's dc generator remains enabled
 - ACLK remains active
- Low-power mode 3 (LPM3)
 - CPU is disabled
 - MCLK, FLL+ loop control, and DCOCLK are disabled
 - DCO's dc generator is disabled
 - ACLK remains active
- Low-power mode 4 (LPM4)
 - CPU is disabled
 - ACLK is disabled
 - MCLK, FLL+ loop control, and DCOCLK are disabled
 - DCO's dc generator is disabled
 - Crystal oscillator is stopped

MSP430x43x1, MSP430x43x, MSP430x44x1, MSP430x44x MIXED SIGNAL MICROCONTROLLER

SLAS344G – JANUARY 2002 – REVISED OCTOBER 2009

interrupt vector addresses

The interrupt vectors and the power-up starting address are located in the address range 0FFFFh to 0FFE0h. The vector contains the 16-bit address of the appropriate interrupt-handler instruction sequence.

Table 3. Interrupt Sources, Flags, and Vectors

| INTERRUPT SOURCE | INTERRUPT FLAG | SYSTEM INTERRUPT | WORD ADDRESS | PRIORITY |
|----------------------------------------------------------|----------------------------------------------------------------------------------------|-------------------------------------------------|--------------|-------------|
| Power-Up External Reset Watchdog Flash Memory | WDTIFG KEYV (see Note 1) | Reset | 0FFFEh | 15, highest |
| NMI Oscillator Fault Flash Memory Access Violation | NMIIFG (see Notes 1 and 3) OFIFG (see Notes 1 and 3) ACCVIFG (see Notes 1 and 3) | (Non)maskable (Non)maskable (Non)maskable | 0FFFCh | 14 |
| Timer_B7 [†] | TBCCR0 CCIFG (see Note 2) | Maskable | 0FFFAh | 13 |
| Timer_B7 [†] | TBCCR1 to TBCCR6 CCIFGs TBIFG (see Notes 1 and 2) | Maskable | 0FFF8h | 12 |
| Comparator_A | CAIFG | Maskable | 0FFF6h | 11 |
| Watchdog Timer | WDTIFG | Maskable | 0FFF4h | 10 |
| USART0 Receive | URXIFG0 | Maskable | 0FFF2h | 9 |
| USART0 Transmit | UTXIFG0 | Maskable | 0FFF0h | 8 |
| ADC12 (see Note 4) | ADC12IFG (see Notes 1 and 2) | Maskable | 0FFEEh | 7 |
| Timer_A3 | TACCR0 CCIFG (see Note 2) | Maskable | 0FFECh | 6 |
| Timer_A3 | TACCR1 and TACCR2 CCIFGs, TAIFG (see Notes 1 and 2) | Maskable | 0FFEAh | 5 |
| I/O Port P1 (Eight Flags) | P1IFG.0 to P1IFG.7 (see Notes 1 and 2) | Maskable | 0FFE8h | 4 |
| USART1 Receive [‡] | URXIFG1 | Maskable | 0FFE6h | 3 |
| USART1 Transmit [‡] | UTXIFG1 | Maskable | 0FFE4h | 2 |
| I/O Port P2 (Eight Flags) | P2IFG.0 to P2IFG.7 (see Notes 1 and 2) | Maskable | 0FFE2h | 1 |
| Basic Timer1 | BTIFG | Maskable | 0FFE0h | 0, lowest |

[†] '43x(1) uses Timer_B3 with TBCCR0, 1 and 2 CCIFG flags, and TBIFG. '44x(1) uses Timer_B7 with TBCCR0 CCIFG, TBCCR1 to TBCCR6 CCIFGs, and TBIFG

[‡] USART1 is implemented in '44x(1) only.

- NOTES:
- Multiple source flags
 - Interrupt flags are located in the module.
 - (Non)maskable: the individual interrupt-enable bit can disable an interrupt event, but the general-interrupt enable can not disable it.
 - ADC12 is not implemented in MSP430x43x1 and MSP430x44x1 devices.

MSP430x43x1, MSP430x43x, MSP430x44x1, MSP430x44x MIXED SIGNAL MICROCONTROLLER

SLAS344G – JANUARY 2002 – REVISED OCTOBER 2009

special function registers

Most interrupt and module-enable bits are collected in the lowest address space. Special-function register bits not allocated to a functional purpose are not physically present in the device. This arrangement provides simple software access.

interrupt enable 1 and 2

| Address | 7 | 6 | 5 | 4 | 3 | 2 | 1 | 0 |
|---------|--------|--------|--------|-------|---|---|------|-------|
| 0h | UTXIE0 | URXIE0 | ACCVIE | NMIIE | | | OFIE | WDTIE |
| | rw-0 | rw-0 | rw-0 | rw-0 | | | rw-0 | rw-0 |

WDTIE: Watchdog-timer interrupt enable. Inactive if watchdog mode is selected. Active if watchdog timer is configured in interval timer mode.

OFIE: Oscillator-fault-interrupt enable

NMIIE: Nonmaskable-interrupt enable

ACCVIE: Flash access violation interrupt enable

URXIE0: USART0: UART and SPI receive-interrupt enable

UTXIE0: USART0: UART and SPI transmit-interrupt enable

| Address | 7 | 6 | 5 | 4 | 3 | 2 | 1 | 0 |
|---------|------|---|--------|--------|---|---|---|---|
| 01h | BTIE | | UTXIE1 | URXIE1 | | | | |
| | rw-0 | | rw-0 | rw-0 | | | | |

URXIE1: USART1: UART and SPI receive-interrupt enable (MSP430F44x(1) devices only)

UTXIE1: USART1: UART and SPI transmit-interrupt enable (MSP430F44x(1) devices only)

BTIE: Basic timer interrupt enable

interrupt flag register 1 and 2

| Address | 7 | 6 | 5 | 4 | 3 | 2 | 1 | 0 |
|---------|---------|---------|---|--------|---|---|-------|--------|
| 02h | UTXIFG0 | URXIFG0 | | NMIIFG | | | OFIFG | WDTIFG |
| | rw-1 | rw-0 | | rw-0 | | | rw-1 | rw-(0) |

WDTIFG: Set on watchdog timer overflow (in watchdog mode) or security key violation. Reset on V_{CC} power up or a reset condition at the \overline{RST}/NMI pin in reset mode.

OFIFG: Flag set on oscillator fault

NMIIFG: Set via \overline{RST}/NMI pin

URXIFG0: USART0: UART and SPI receive flag

UTXIFG0: USART0: UART and SPI transmit flag

| Address | 7 | 6 | 5 | 4 | 3 | 2 | 1 | 0 |
|---------|-------|---|---------|---------|---|---|---|---|
| 03h | BTIFG | | UTXIFG1 | URXIFG1 | | | | |
| | rw | | rw-1 | rw-0 | | | | |

URXIFG1: USART1: UART and SPI receive flag (MSP430F44x(1) devices only)

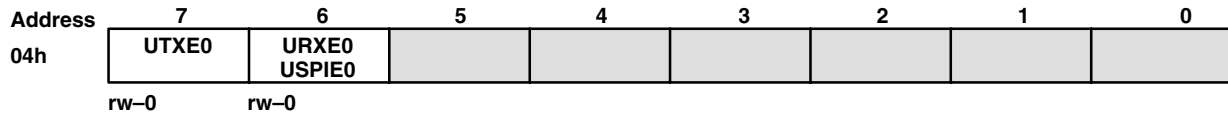
UTXIFG1: USART1: UART and SPI transmit flag (MSP430F44x(1) devices only)

BTIFG: Basic timer flag

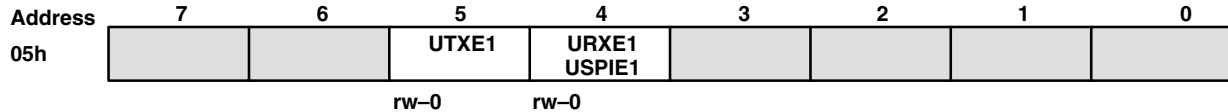
MSP430x43x1, MSP430x43x, MSP430x44x1, MSP430x44x MIXED SIGNAL MICROCONTROLLER

SLAS344G – JANUARY 2002 – REVISED OCTOBER 2009


module enable registers 1 and 2



URXE0: USART0: UART mode receive enable
 UTXE0: USART0: UART mode transmit enable
 USPIE0: USART0: SPI mode transmit and receive enable



URXE1: USART1: UART mode receive enable (MSP430F44x(1) devices only)
 UTXE1: USART1: UART mode transmit enable (MSP430F44x(1) devices only)
 USPIE1: USART1: SPI mode transmit and receive enable (MSP430F44x(1) devices only)

Legend: rw: Bit Can Be Read and Written
 rw-0,1: Bit Can Be Read and Written. It Is Reset or Set by PUC.
 rw-(0,1): Bit Can Be Read and Written. It Is Reset or Set by POR.
 SFR Bit Not Present in Device

memory organization

| | | MSP430F435 MSP430F4351 | MSP430F436 MSP430F4361 | MSP430F437 MSP430F4371 MSP430F447 | MSP430F448 MSP430F4481 | MSP430F449 MSP430F4491 |
|------------------------|-----------|---------------------------|---------------------------|-----------------------------------------|---------------------------|---------------------------|
| Memory | Size | 16KB | 24KB | 32KB | 48KB | 60KB |
| Main: interrupt vector | Flash | 0FFFFh – 0FFE0h | 0FFFFh – 0FFE0h | 0FFFFh – 0FFE0h | 0FFFFh – 0FFE0h | 0FFFFh – 0FFE0h |
| Main: code memory | Flash | 0FFFFh – 0C000h | 0FFFFh – 0A000h | 0FFFFh – 08000h | 0FFFFh – 04000h | 0FFFFh – 01100h |
| Information memory | Size | 256 Byte | 256 Byte | 256 Byte | 256 Byte | 256 Byte |
| | Flash | 010FFh – 01000h | 010FFh – 01000h | 010FFh – 01000h | 010FFh – 01000h | 010FFh – 01000h |
| Boot memory | Size | 1KB | 1KB | 1KB | 1KB | 1KB |
| | ROM | 0FFFh – 0C00h | 0FFFh – 0C00h | 0FFFh – 0C00h | 0FFFh – 0C00h | 0FFFh – 0C00h |
| RAM | Size | 512 Byte | 1KB | 1KB | 2KB | 2KB |
| | | 03FFh – 0200h | 05FFh – 0200h | 05FFh – 0200h | 09FFh – 0200h | 09FFh – 0200h |
| Peripherals | 16-bit | 01FFh – 0100h | 01FFh – 0100h | 01FFh – 0100h | 01FFh – 0100h | 01FFh – 0100h |
| | 8-bit | 0FFh – 010h | 0FFh – 010h | 0FFh – 010h | 0FFh – 010h | 0FFh – 010h |
| | 8-bit SFR | 0Fh – 00h | 0Fh – 00h | 0Fh – 00h | 0Fh – 00h | 0Fh – 00h |

bootstrap loader (BSL)

The MSP430 bootstrap loader (BSL) enables users to program the flash memory or RAM using a UART serial interface. Access to the MSP430 memory via the BSL is protected by user-defined password. For complete description of the features of the BSL and its implementation, see the *MSP430 Memory Programming User's Guide*, literature number SLAU265.

| BSL Function | PN Package Pins | PZ Package Pins |
|---------------|-----------------|-----------------|
| Data Transmit | 67 - P1.0 | 87 - P1.0 |
| Data Receive | 66 - P1.1 | 86 - P1.1 |

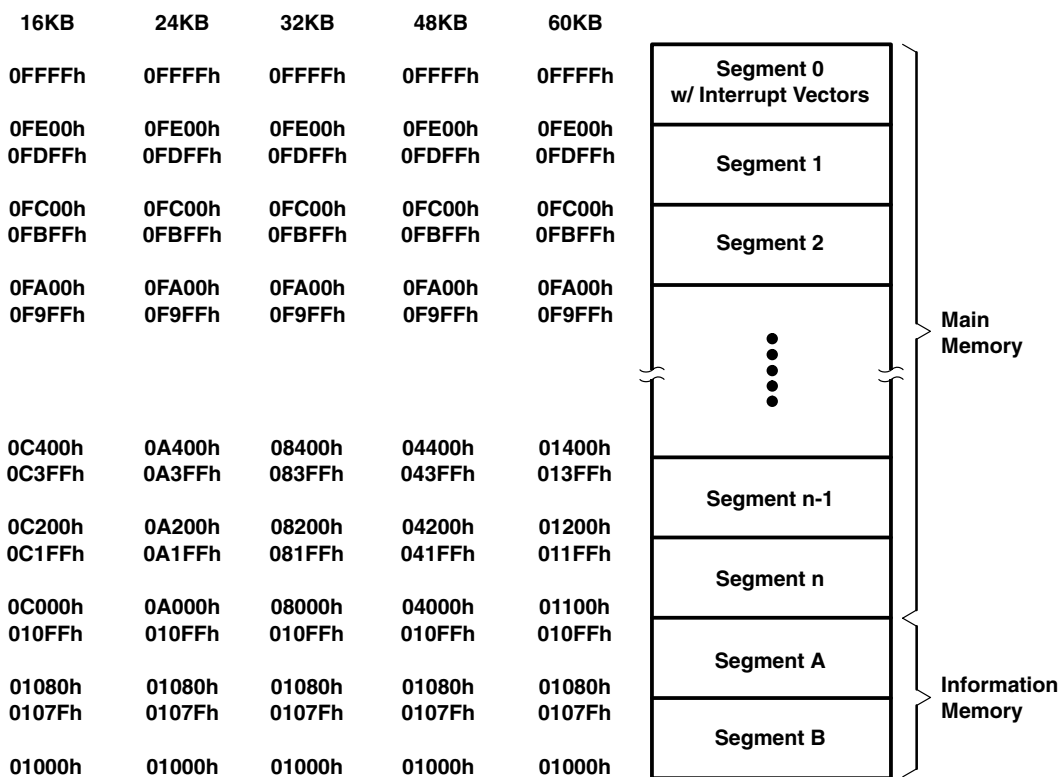
MSP430x43x1, MSP430x43x, MSP430x44x1, MSP430x44x MIXED SIGNAL MICROCONTROLLER

SLAS344G – JANUARY 2002 – REVISED OCTOBER 2009

flash memory

The flash memory can be programmed via the JTAG port, the bootstrap loader, or in-system by the CPU. The CPU can perform single-byte and single-word writes to the flash memory. Features of the flash memory include:

- Flash memory has n segments of main memory and two segments of information memory (A and B) of 128 bytes each. Each segment in main memory is 512 bytes in size.
- Segments 0 to n may be erased in one step, or each segment may be individually erased.
- Segments A and B can be erased individually, or as a group with segments 0 to n. Segments A and B are also called *information memory*.
- New devices may have some bytes programmed in the information memory (needed for test during manufacturing). The user should perform an erase of the information memory prior to the first use.



peripherals

Peripherals are connected to the CPU through data, address, and control buses and can be handled using all instructions. For complete module descriptions, see the *MSP430x4xx Family User's Guide*, literature number SLAU056.

digital I/O

There are six 8-bit I/O ports implemented—ports P1 through P6:

- All individual I/O bits are independently programmable.
- Any combination of input, output, and interrupt conditions is possible.
- Edge-selectable interrupt input capability for all the eight bits of ports P1 and P2.
- Read/write access to port-control registers is supported by all instructions.

oscillator and system clock

The clock system in the MSP430x43x(1) and MSP43x44x(1) family of devices is supported by the FLL+ module, which includes support for a 32768-Hz watch crystal oscillator, an internal digitally controlled oscillator (DCO), and a high-frequency crystal oscillator. The FLL+ clock module is designed to meet the requirements of both low system cost and low power consumption. The FLL+ features a digital frequency-locked loop (FLL) hardware that, in conjunction with a digital modulator, stabilizes the DCO frequency to a programmable multiple of the watch crystal frequency. The internal DCO provides a fast turn-on clock source and stabilizes in less than 6 μ s. The FLL+ module provides the following clock signals:

- Auxiliary clock (ACLK), sourced from a 32768-Hz watch crystal or a high-frequency crystal
- Main clock (MCLK), the system clock used by the CPU
- Sub-Main clock (SMCLK), the sub-system clock used by the peripheral modules
- ACLK/n, the buffered output of ACLK, ACLK/2, ACLK/4, or ACLK/8

brownout, supply voltage supervisor (SVS)

The brownout circuit is implemented to provide the proper internal reset signal to the device during power on and power off. The supply voltage supervisor (SVS) circuitry detects if the supply voltage drops below a user selectable level and supports both supply voltage supervision (the device is automatically reset) and supply voltage monitoring (SVM, the device is not automatically reset).

The CPU begins code execution after the brownout circuit releases the device reset. However, V_{CC} may not have ramped to $V_{CC(\min)}$ at that time. The user must insure the default FLL+ settings are not changed until V_{CC} reaches $V_{CC(\min)}$. If desired, the SVS circuit can be used to determine when V_{CC} reaches $V_{CC(\min)}$.

hardware multiplier (MSP430x44x(1) only)

The multiplication operation is supported by a dedicated peripheral module. The module performs 16×16 , 16×8 , 8×16 , and 8×8 bit operations. The module is capable of supporting signed and unsigned multiplication as well as signed and unsigned multiply and accumulate operations. The result of an operation can be accessed immediately after the operands have been loaded into the peripheral registers. No additional clock cycles are required.

watchdog timer (WDT)

The primary function of the watchdog timer (WDT) module is to perform a controlled system restart after a software problem occurs. If the selected time interval expires, a system reset is generated. If the watchdog function is not needed in an application, the module can be configured as an interval timer and can generate interrupts at selected time intervals.

MSP430x43x1, MSP430x43x, MSP430x44x1, MSP430x44x MIXED SIGNAL MICROCONTROLLER

SLAS344G – JANUARY 2002 – REVISED OCTOBER 2009

USART0

The MSP430x43x(1) and the MSP430x44x(1) have one hardware universal synchronous/asynchronous receive transmit (USART0) peripheral module that is used for serial data communication. The USART supports synchronous SPI (3 or 4 pin) and asynchronous UART communication protocols, using double-buffered transmit and receive channels.

USART1 (MSP430x44x(1) only)

The MSP430x44x(1) has a second hardware universal synchronous/asynchronous receive transmit (USART1) peripheral module that is used for serial data communication. The USART supports synchronous SPI (3 or 4 pin) and asynchronous UART communication protocols, using double-buffered transmit and receive channels. Operation of USART1 is identical to USART0.

Timer_A3

Timer_A3 is a 16-bit timer/counter with three capture/compare registers. Timer_A3 can support multiple capture/compares, PWM outputs, and interval timing. Timer_A3 also has extensive interrupt capabilities. Interrupts may be generated from the counter on overflow conditions and from each of the capture/compare registers.

| TIMER_A3 SIGNAL CONNECTIONS | | | | | | | |
|-----------------------------|-----------|---------------------|-------------------|--------------|----------------------|-------------------------------|-----------|
| INPUT PIN NUMBER | | DEVICE INPUT SIGNAL | MODULE INPUT NAME | MODULE BLOCK | MODULE OUTPUT SIGNAL | OUTPUT PIN NUMBER | |
| PN | PZ | | | | | PN | PZ |
| 62 - P1.5 | 82 - P1.5 | TACLK | TACLK | Timer | NA | | |
| | | ACLK | ACLK | | | | |
| | | SMCLK | SMCLK | | | | |
| 62 - P1.5 | 82 - P1.5 | TACLK | INCLK | | | | |
| 67 - P1.0 | 87 - P1.0 | TA0 | CCI0A | CCR0 | TA0 | 67 - P1.0 | 87 - P1.0 |
| 66 - P1.1 | 86 - P1.1 | TA0 | CCI0B | | | | |
| | | DV _{SS} | GND | | | | |
| | | DV _{CC} | V _{CC} | | | | |
| 65 - P1.2 | 85 - P1.2 | TA1 | CCI1A | CCR1 | TA1 | 14 - P1.2 | 85 - P1.2 |
| | | CAOUT (internal) | CCI1B | | | ADC12 (internal) [‡] | |
| | | DV _{SS} | GND | | | | |
| | | DV _{CC} | V _{CC} | | | | |
| 59 - P2.0 | 79 - P2.0 | TA2 | CCI2A | CCR2 | TA2 | 15 - P1.3 | 79 - P2.0 |
| | | ACLK (internal) | CCI2B | | | | |
| | | DV _{SS} | GND | | | | |
| | | DV _{CC} | V _{CC} | | | | |

[‡] Not implemented in MSP430x43x1 and MSP430x44x1 devices.

Timer_B3 (MSP430x43x(1) only)

Timer_B3 is a 16-bit timer/counter with three capture/compare registers. Timer_B3 can support multiple capture/compares, PWM outputs, and interval timing. Timer_B3 also has extensive interrupt capabilities. Interrupts may be generated from the counter on overflow conditions and from each of the capture/compare registers.

MSP430x43x1, MSP430x43x, MSP430x44x1, MSP430x44x MIXED SIGNAL MICROCONTROLLER

SLAS344G – JANUARY 2002 – REVISED OCTOBER 2009

Timer_B7 (MSP430x44x(1) only)

Timer_B7 is a 16-bit timer/counter with seven capture/compare registers. Timer_B7 can support multiple capture/compares, PWM outputs, and interval timing. Timer_B7 also has extensive interrupt capabilities. Interrupts may be generated from the counter on overflow conditions and from each of the capture/compare registers.

| TIMER_B3/B7 SIGNAL CONNECTIONS† | | | | | | | |
|---------------------------------|-----------|---------------------|-------------------|--------------|----------------------|-------------------|-----------|
| INPUT PIN NUMBER | | DEVICE INPUT SIGNAL | MODULE INPUT NAME | MODULE BLOCK | MODULE OUTPUT SIGNAL | OUTPUT PIN NUMBER | |
| PN | PZ | | | | | PN | PZ |
| 63 - P1.4 | 83 - P1.4 | TBCLK | TBCLK | Timer | NA | | |
| | | ACLK | ACLK | | | | |
| | | SMCLK | SMCLK | | | | |
| 63 - P1.4 | 83 - P1.4 | TBCLK | INCLK | | | | |
| 58 - P2.1 | 78 - P2.1 | TB0 | CC10A | CCR0† | TB0 | 58 - P2.1 | 78 - P2.1 |
| 58 - P2.1 | 78 - P2.1 | TB0 | CC10B | | | ADC12 (internal)‡ | |
| | | DV _{SS} | GND | | | | |
| | | DV _{CC} | V _{CC} | | | | |
| 57 - P2.2 | 77 - P2.2 | TB1 | CC11A | CCR1† | TB1 | 57 - P2.2 | 77 - P2.2 |
| 57 - P2.2 | 77 - P2.2 | TB1 | CC11B | | | ADC12 (internal)‡ | |
| | | DV _{SS} | GND | | | | |
| | | DV _{CC} | V _{CC} | | | | |
| 56 - P2.3 | 76 - P2.3 | TB2 | CC12A | CCR2† | TB2 | 56 - P2.3 | 76 - P2.3 |
| 56 - P2.3 | 76 - P2.3 | TB2 | CC12B | | | | |
| | | DV _{SS} | GND | | | | |
| | | DV _{CC} | V _{CC} | | | | |
| | 67 - P3.4 | TB3 | CC13A | CCR3 | TB3 | | 67 - P3.4 |
| | 67 - P3.4 | TB3 | CC13B | | | | |
| | | DV _{SS} | GND | | | | |
| | | DV _{CC} | V _{CC} | | | | |
| | 66 - P3.5 | TB4 | CC14A | CCR4 | TB4 | | 66 - P3.5 |
| | 66 - P3.5 | TB4 | CC14B | | | | |
| | | DV _{SS} | GND | | | | |
| | | DV _{CC} | V _{CC} | | | | |
| | 65 - P3.6 | TB5 | CC15A | CCR5 | TB5 | | 65 - P3.6 |
| | 65 - P3.6 | TB5 | CC15B | | | | |
| | | DV _{SS} | GND | | | | |
| | | DV _{CC} | V _{CC} | | | | |
| | 64 - P3.7 | TB6 | CC16A | CCR6 | TB6 | | 64 - P3.7 |
| | | ACLK (internal) | CC16B | | | | |
| | | DV _{SS} | GND | | | | |
| | | DV _{CC} | V _{CC} | | | | |

† Timer_B3 implements three capture/compare blocks (CCR0, CCR1 and CCR2 only).

‡ Not implemented in MSP430x43x1 and MSP430x44x1 devices.

MSP430x43x1, MSP430x43x, MSP430x44x1, MSP430x44x MIXED SIGNAL MICROCONTROLLER

SLAS344G – JANUARY 2002 – REVISED OCTOBER 2009

Comparator_A

The primary function of the comparator_A module is to support precision slope analog-to-digital conversions, battery-voltage supervision, and monitoring of external analog signals.

ADC12 (not implemented in MSP430x43x1 and MSP430x44x1)

The ADC12 module supports fast, 12-bit analog-to-digital conversions. The module implements a 12-bit SAR core, sample select control, reference generator and a 16 word conversion-and-control buffer. The conversion-and-control buffer allows up to 16 independent ADC samples to be converted and stored without any CPU intervention.

Basic Timer1

The Basic Timer1 has two independent 8-bit timers which can be cascaded to form a 16-bit timer/counter. Both timers can be read and written by software. The Basic Timer1 can be used to generate periodic interrupts and clock for the LCD module.

LCD driver

The LCD driver generates the segment and common signals required to drive an LCD display. The LCD controller has dedicated data memory to hold segment drive information. Common and segment signals are generated as defined by the mode. Static, 2-MUX, 3-MUX, and 4-MUX LCDs are supported by this peripheral.

MSP430x43x1, MSP430x43x, MSP430x44x1, MSP430x44x MIXED SIGNAL MICROCONTROLLER

SLAS344G – JANUARY 2002 – REVISED OCTOBER 2009

peripheral file map

| PERIPHERALS WITH WORD ACCESS | | | |
|-----------------------------------------------------------|---------------------------------------|----------|-------|
| Watchdog | Watchdog timer control | WDTCTL | 0120h |
| Timer_B7/ Timer_B3 (see Note 1) | Capture/compare register 6 | TBCCR6 | 019Eh |
| | Capture/compare register 5 | TBCCR5 | 019Ch |
| | Capture/compare register 4 | TBCCR4 | 019Ah |
| | Capture/compare register 3 | TBCCR3 | 0198h |
| | Capture/compare register 2 | TBCCR2 | 0196h |
| | Capture/compare register 1 | TBCCR1 | 0194h |
| | Capture/compare register 0 | TBCCR0 | 0192h |
| | Timer_B register | TBR | 0190h |
| | Capture/compare control 6 | TBCCTL6 | 018Eh |
| | Capture/compare control 5 | TBCCTL5 | 018Ch |
| | Capture/compare control 4 | TBCCTL4 | 018Ah |
| | Capture/compare control 3 | TBCCTL3 | 0188h |
| | Capture/compare control 2 | TBCCTL2 | 0186h |
| | Capture/compare control 1 | TBCCTL1 | 0184h |
| | Capture/compare control 0 | TBCCTL0 | 0182h |
| | Timer_B control | TBCTL | 0180h |
| | Timer_B interrupt vector | TBIV | 011Eh |
| | Timer_A3 | Reserved | |
| Reserved | | | 017Ch |
| Reserved | | | 017Ah |
| Reserved | | | 0178h |
| Capture/compare register 2 | | TACCR2 | 0176h |
| Capture/compare register 1 | | TACCR1 | 0174h |
| Capture/compare register 0 | | TACCR0 | 0172h |
| Timer_A register | | TAR | 0170h |
| Reserved | | | 016Eh |
| Reserved | | | 016Ch |
| Reserved | | | 016Ah |
| Reserved | | | 0168h |
| Capture/compare control 2 | | TACCTL2 | 0166h |
| Capture/compare control 1 | | TACCTL1 | 0164h |
| Capture/compare control 0 | | TACCTL0 | 0162h |
| Timer_A control | | TACTL | 0160h |
| Timer_A interrupt vector | TAIV | 012Eh | |
| Hardware Multiplier (MSP430x44x(1) only) | Sum extend | SUMEXT | 013Eh |
| | Result high word | RESHI | 013Ch |
| | Result low word | RESLO | 013Ah |
| | Second operand | OP2 | 0138h |
| | Multiply signed + accumulate/operand1 | MACS | 0136h |
| | Multiply + accumulate/operand1 | MAC | 0134h |
| | Multiply signed/operand1 | MPYS | 0132h |
| | Multiply unsigned/operand1 | MPY | 0130h |

NOTE 1: Timer_B7 in the MSP430x44x(1) family has seven CCRs; Timer_B3 in the MSP430x43x(1) family has three CCRs.

MSP430x43x1, MSP430x43x, MSP430x44x1, MSP430x44x MIXED SIGNAL MICROCONTROLLER

SLAS344G – JANUARY 2002 – REVISED OCTOBER 2009

peripheral file map (continued)

| PERIPHERALS WITH WORD ACCESS (CONTINUED) | | | |
|-----------------------------------------------------------------|--------------------------------|-------------|-------|
| Flash | Flash control 3 | FCTL3 | 012Ch |
| | Flash control 2 | FCTL2 | 012Ah |
| | Flash control 1 | FCTL1 | 0128h |
| ADC12 (not implemented in MSP430F43x1 and MSP430F44x1) | Conversion memory 15 | ADC12MEM15 | 015Eh |
| | Conversion memory 14 | ADC12MEM14 | 015Ch |
| | Conversion memory 13 | ADC12MEM13 | 015Ah |
| | Conversion memory 12 | ADC12MEM12 | 0158h |
| | Conversion memory 11 | ADC12MEM11 | 0156h |
| | Conversion memory 10 | ADC12MEM10 | 0154h |
| | Conversion memory 9 | ADC12MEM9 | 0152h |
| | Conversion memory 8 | ADC12MEM8 | 0150h |
| | Conversion memory 7 | ADC12MEM7 | 014Eh |
| | Conversion memory 6 | ADC12MEM6 | 014Ch |
| | Conversion memory 5 | ADC12MEM5 | 014Ah |
| | Conversion memory 4 | ADC12MEM4 | 0148h |
| | Conversion memory 3 | ADC12MEM3 | 0146h |
| | Conversion memory 2 | ADC12MEM2 | 0144h |
| | Conversion memory 1 | ADC12MEM1 | 0142h |
| | Conversion memory 0 | ADC12MEM0 | 0140h |
| | Interrupt-vector-word register | ADC12IV | 01A8h |
| | Inerrupt-enable register | ADC12IE | 01A6h |
| | Inerrupt-flag register | ADC12IFG | 01A4h |
| | Control register 1 | ADC12CTL1 | 01A2h |
| | Control register 0 | ADC12CTL0 | 01A0h |
| | ADC memory-control register15 | ADC12MCTL15 | 08Fh |
| | ADC memory-control register14 | ADC12MCTL14 | 08Eh |
| | ADC memory-control register13 | ADC12MCTL13 | 08Dh |
| | ADC memory-control register12 | ADC12MCTL12 | 08Ch |
| | ADC memory-control register11 | ADC12MCTL11 | 08Bh |
| | ADC memory-control register10 | ADC12MCTL10 | 08Ah |
| | ADC memory-control register9 | ADC12MCTL9 | 089h |
| | ADC memory-control register8 | ADC12MCTL8 | 088h |
| | ADC memory-control register7 | ADC12MCTL7 | 087h |
| | ADC memory-control register6 | ADC12MCTL6 | 086h |
| | ADC memory-control register5 | ADC12MCTL5 | 085h |
| | ADC memory-control register4 | ADC12MCTL4 | 084h |
| ADC memory-control register3 | ADC12MCTL3 | 083h | |
| ADC memory-control register2 | ADC12MCTL2 | 082h | |
| ADC memory-control register1 | ADC12MCTL1 | 081h | |
| ADC memory-control register0 | ADC12MCTL0 | 080h | |

MSP430x43x1, MSP430x43x, MSP430x44x1, MSP430x44x MIXED SIGNAL MICROCONTROLLER

SLAS344G – JANUARY 2002 – REVISED OCTOBER 2009

peripheral file map (continued)

| PERIPHERALS WITH BYTE ACCESS | | | |
|------------------------------------------|-------------------------------------------------|-----------------|--------------|
| LCD | LCD memory 20 | LCDM20 | 0A4h |
| | : | : | : |
| | LCD memory 16 | LCDM16 | 0A0h |
| | LCD memory 15 | LCDM15 | 09Fh |
| | : | : | : |
| | LCD memory 1 LCD control and mode | LCDM1 LCDCTL | 091h 090h |
| USART1 (MSP430F44x(1) only) | Transmit buffer | U1TXBUF | 07Fh |
| | Receive buffer | U1RXBUF | 07Eh |
| | Baud rate | U1BR1 | 07Dh |
| | Baud rate | U1BR0 | 07Ch |
| | Modulation control | U1MCTL | 07Bh |
| | Receive control | U1RCTL | 07Ah |
| | Transmit control | U1TCTL | 079h |
| | USART control | U1CTL | 078h |
| USART0 | Transmit buffer | U0TXBUF | 077h |
| | Receive buffer | U0RXBUF | 076h |
| | Baud rate | U0BR1 | 075h |
| | Baud rate | U0BR0 | 074h |
| | Modulation control | U0MCTL | 073h |
| | Receive control | U0RCTL | 072h |
| | Transmit control | U0TCTL | 071h |
| | USART control | U0CTL | 070h |
| Comparator_A | Comparator_A port disable | CAPD | 05Bh |
| | Comparator_A control2 | CACTL2 | 05Ah |
| | Comparator_A control1 | CACTL1 | 059h |
| BrownOUT, SVS | SVS control register (Reset by brownout signal) | SVSCTL | 056h |
| FLL+ Clock | FLL+ Control1 | FLL_CTL1 | 054h |
| | FLL+ Control0 | FLL_CTL0 | 053h |
| | System clock frequency control | SCFQCTL | 052h |
| | System clock frequency integrator | SCFI1 | 051h |
| | System clock frequency integrator | SCFI0 | 050h |
| Basic Timer1 | BT counter2 | BTCNT2 | 047h |
| | BT counter1 | BTCNT1 | 046h |
| | BT control | BTCTL | 040h |
| Port P6 | Port P6 selection | P6SEL | 037h |
| | Port P6 direction | P6DIR | 036h |
| | Port P6 output | P6OUT | 035h |
| | Port P6 input | P6IN | 034h |
| Port P5 | Port P5 selection | P5SEL | 033h |
| | Port P5 direction | P5DIR | 032h |
| | Port P5 output | P5OUT | 031h |
| | Port P5 input | P5IN | 030h |

MSP430x43x1, MSP430x43x, MSP430x44x1, MSP430x44x MIXED SIGNAL MICROCONTROLLER

SLAS344G – JANUARY 2002 – REVISED OCTOBER 2009

peripheral file map (continued)

| PERIPHERALS WITH BYTE ACCESS (CONTINUED) | | | |
|------------------------------------------|-------------------------------|-------|------|
| Port P4 | Port P4 selection | P4SEL | 01Fh |
| | Port P4 direction | P4DIR | 01Eh |
| | Port P4 output | P4OUT | 01Dh |
| | Port P4 input | P4IN | 01Ch |
| Port P3 | Port P3 selection | P3SEL | 01Bh |
| | Port P3 direction | P3DIR | 01Ah |
| | Port P3 output | P3OUT | 019h |
| | Port P3 input | P3IN | 018h |
| Port P2 | Port P2 selection | P2SEL | 02Eh |
| | Port P2 interrupt enable | P2IE | 02Dh |
| | Port P2 interrupt-edge select | P2IES | 02Ch |
| | Port P2 interrupt flag | P2IFG | 02Bh |
| | Port P2 direction | P2DIR | 02Ah |
| | Port P2 output | P2OUT | 029h |
| | Port P2 input | P2IN | 028h |
| Port P1 | Port P1 selection | P1SEL | 026h |
| | Port P1 interrupt enable | P1IE | 025h |
| | Port P1 interrupt-edge select | P1IES | 024h |
| | Port P1 interrupt flag | P1IFG | 023h |
| | Port P1 direction | P1DIR | 022h |
| | Port P1 output | P1OUT | 021h |
| | Port P1 input | P1IN | 020h |
| Special functions | SFR module enable2 | ME2 | 005h |
| | SFR module enable1 | ME1 | 004h |
| | SFR interrupt flag2 | IFG2 | 003h |
| | SFR interrupt flag1 | IFG1 | 002h |
| | SFR interrupt enable2 | IE2 | 001h |
| | SFR interrupt enable1 | IE1 | 000h |

absolute maximum ratings over operating free-air temperature (unless otherwise noted)[†]

| | |
|------------------------------------------------------------|----------------------------|
| Voltage applied at V_{CC} to V_{SS} | -0.3 V to 4.1 V |
| Voltage applied to any pin (see Note) | -0.3 V to $V_{CC} + 0.3$ V |
| Diode current at any device terminal | ± 2 mA |
| Storage temperature, T_{stg} : Unprogrammed device | -55°C to 150°C |
| Programmed device | -55°C to 85°C |

[†] Stresses beyond those listed under “absolute maximum ratings” may cause permanent damage to the device. These are stress ratings only, and functional operation of the device at these or any other conditions beyond those indicated under “recommended operating conditions” is not implied. Exposure to absolute-maximum-rated conditions for extended periods may affect device reliability.

NOTE: All voltages referenced to V_{SS} . The JTAG fuse-blow voltage, V_{FB} , is allowed to exceed the absolute maximum rating. The voltage is applied to the TDI/TCLK pin when blowing the JTAG fuse.

MSP430x43x1, MSP430x43x, MSP430x44x1, MSP430x44x MIXED SIGNAL MICROCONTROLLER

SLAS344G – JANUARY 2002 – REVISED OCTOBER 2009

recommended operating conditions

| | | MIN | NOM | MAX | UNIT |
|---------------------------------------------------------------------------------------------------------------------------------------------------|----------------------------|-------------------|------|--------|------|
| Supply voltage during program execution V_{CC} ($AV_{CC} = DV_{CC1} = DV_{CC2} = V_{CC}$) (see Note 1) | | 1.8 | | 3.6 | V |
| Supply voltage during program execution, SVS enabled, PORON=1 (see Note 1 and Note 2) V_{CC} ($AV_{CC} = DV_{CC1} = DV_{CC2} = V_{CC}$) | | 2 | | 3.6 | V |
| Supply voltage during flash memory programming V_{CC} ($AV_{CC} = DV_{CC1} = DV_{CC2} = V_{CC}$) (see Note 1) | | 2.7 | | 3.6 | V |
| Supply voltage, V_{SS} ($AV_{SS} = DV_{SS1} = DV_{SS2} = V_{SS}$) | | 0 | | 0 | V |
| Operating free-air temperature range, T_A | | -40 | | 85 | °C |
| LFXT1 crystal frequency, $f_{(LFXT1)}$ (see Note 3) | LF selected, XTS_FLL=0 | Watch crystal | | 32.768 | kHz |
| | XT1 selected, XTS_FLL=1 | Ceramic resonator | | 450 | 8000 |
| | XT1 selected, XTS_FLL=1 | Crystal | | 1000 | 8000 |
| XT2 crystal frequency, $f_{(XT2)}$ | Ceramic resonator | | 450 | 8000 | kHz |
| | Crystal | | 1000 | 8000 | |
| Processor frequency (signal MCLK), $f_{(System)}$ | $V_{CC} = 1.8$ V | | DC | 4.15 | MHz |
| | $V_{CC} = 3.6$ V | | DC | 8 | |

- NOTES:
1. It is recommended to power AV_{CC} and DV_{CC} from the same source. A maximum difference of 0.3 V between AV_{CC} and DV_{CC} can be tolerated during power up and operation.
 2. The minimum operating supply voltage is defined according to the trip point where POR is going active by decreasing the supply voltage. POR is going inactive when the supply voltage is raised above the minimum supply voltage plus the hysteresis of the SVS circuitry.
 3. In LF mode, the LFXT1 oscillator requires a watch crystal. In XT1 mode, LFXT1 accepts a ceramic resonator or a crystal.

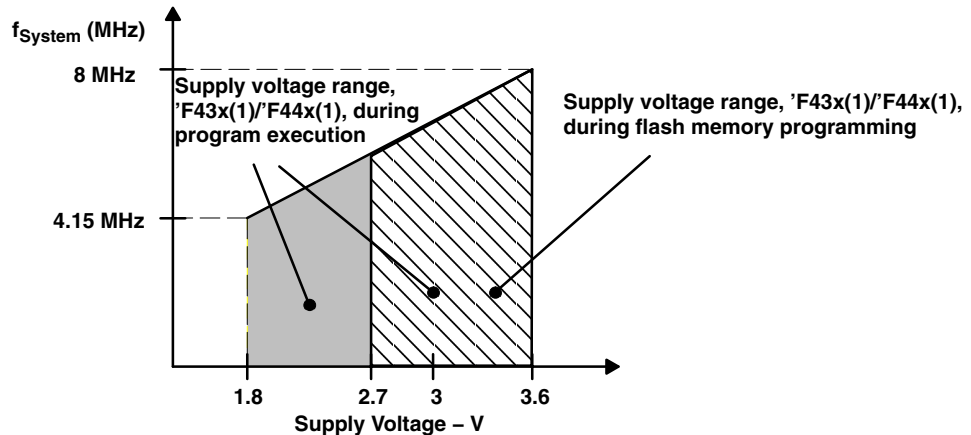


Figure 1. Frequency vs Supply Voltage, MSP430F43x(1) or MSP430F44x(1)

MSP430x43x1, MSP430x43x, MSP430x44x1, MSP430x44x MIXED SIGNAL MICROCONTROLLER

SLAS344G – JANUARY 2002 – REVISED OCTOBER 2009

electrical characteristics over recommended operating free-air temperature (unless otherwise noted)

supply current into AV_{CC} + DV_{CC} excluding external current

| PARAMETER | | TEST CONDITIONS | V _{CC} | MIN | TYP | MAX | UNIT |
|---------------------|---------------------------------------------------------------------------------------------------------------------------------------------------------|--------------------------------|-----------------|-----|-----|-----|------|
| I _(AM) | Active mode (see Note 1), f _(MCLK) = f _(SMCLK) = 1 MHz, f _(ACLK) = 32768 Hz XTS_FLL=0, SELM=(0,1) | T _A = -40°C to 85°C | 2.2 V | 280 | 350 | | μA |
| | | | 3 V | 420 | 560 | | |
| I _(LPM0) | Low-power mode, (LPM0) (see Note 1 and Note 4) | T _A = -40°C to 85°C | 2.2 V | 32 | 45 | | μA |
| | | | 3 V | 55 | 70 | | |
| I _(LPM2) | Low-power mode, (LPM2), f _(MCLK) = f _(SMCLK) = 0 MHz, f _(ACLK) = 32768 Hz, SCG0 = 0 (see Note 2 and Note 4) | T _A = -40°C to 85°C | 2.2 V | 11 | 14 | | μA |
| | | | 3 V | 17 | 22 | | |
| I _(LPM3) | Low-power mode, (LPM3) f _(MCLK) = f _(SMCLK) = 0 MHz, f _(ACLK) = 32,768 Hz, SCG0 = 1 (see Note 3 and Note 4) | T _A = -40°C | 2.2 V | 1 | 1.5 | | μA |
| | | T _A = 25°C | | 1.1 | 1.5 | | |
| | | T _A = 60°C | | 2 | 3 | | |
| | | T _A = 85°C | | 3.5 | 6 | | |
| | | T _A = -40°C | 3 V | 1.8 | 2.2 | | μA |
| | | T _A = 25°C | | 1.6 | 1.9 | | |
| | | T _A = 60°C | | 2.5 | 3.5 | | |
| | | T _A = 85°C | | 4.2 | 7.5 | | |
| I _(LPM4) | Low-power mode, (LPM4) f _(MCLK) = 0 MHz, f _(SMCLK) = 0 MHz, f _(ACLK) = 0 Hz, SCG0 = 1 (see Note 2 and Note 4) | T _A = -40°C | 2.2 V | 0.1 | 0.5 | | μA |
| | | T _A = 25°C | | 0.1 | 0.5 | | |
| | | T _A = 60°C | | 0.7 | 1.1 | | |
| | | T _A = 85°C | | 1.7 | 3 | | |
| | | T _A = -40°C | 3 V | 0.1 | 0.5 | | μA |
| | | T _A = 25°C | | 0.1 | 0.5 | | |
| | | T _A = 60°C | | 0.8 | 1.2 | | |
| | | T _A = 85°C | | 1.9 | 3.5 | | |

- NOTES: 1. Timer_B is clocked by f_(DCOCLK) = f_(DCO) = 1 MHz. All inputs are tied to 0 V or to V_{CC}. Outputs do not source or sink any current.
 2. All inputs are tied to 0 V or to V_{CC}. Outputs do not source or sink any current.
 3. All inputs are tied to 0 V or to V_{CC}. Outputs do not source or sink any current. The current consumption in LPM3 is measured with active Basic Timer1 and LCD (ACLK selected). The current consumption of the Comparator_A and the SVS module are specified in the respective sections. The LPM3 currents are characterized with a KDS Daishinku DT-38 (6 pF) crystal and OSCCAPx=1h.
 4. Current consumption for brownout included.

Current consumption of active mode versus system frequency

$$I_{(AM)} = I_{(AM)} [1 \text{ MHz}] \times f_{(System)} [\text{MHz}]$$

Current consumption of active mode versus supply voltage

$$I_{(AM)} = I_{(AM)} [3 \text{ V}] + 175 \mu\text{A/V} \times (V_{CC} - 3 \text{ V})$$

MSP430x43x1, MSP430x43x, MSP430x44x1, MSP430x44x MIXED SIGNAL MICROCONTROLLER

SLAS344G – JANUARY 2002 – REVISED OCTOBER 2009

electrical characteristics over recommended operating free-air temperature (unless otherwise noted) (continued)

Schmitt-trigger inputs – ports P1, P2, P3, P4, P5, P6

| PARAMETER | | V _{CC} | MIN | TYP | MAX | UNIT |
|------------------|-----------------------------------------------------------------|-----------------|-----|-----|-----|------|
| V _{IT+} | Positive-going input threshold voltage | 2.2 V | 1.1 | | 1.5 | V |
| | | 3 V | 1.5 | | 1.9 | |
| V _{IT-} | Negative-going input threshold voltage | 2.2 V | 0.4 | | 0.9 | V |
| | | 3 V | 0.9 | | 1.3 | |
| V _{hys} | Input voltage hysteresis (V _{IT+} – V _{IT-}) | 2.2 V | 0.3 | | 1.1 | V |
| | | 3 V | 0.5 | | 1 | |

standard inputs – $\overline{\text{RST}}/\text{NMI}$, JTAG (TCK, TMS, TDI/TCLK)

| PARAMETER | | V _{CC} | MIN | TYP | MAX | UNIT |
|-----------------|--------------------------|-----------------|---------------------|-----|----------------------|------|
| V _{IL} | Low-level input voltage | 2.2 V / 3 V | V _{SS} | | V _{SS} +0.6 | V |
| V _{IH} | High-level input voltage | | 0.8×V _{CC} | | V _{CC} | V |

inputs P_{x.x}, T_{Ax}, T_{Bx}

| PARAMETER | | TEST CONDITIONS | V _{CC} | MIN | TYP | MAX | UNIT |
|----------------------|------------------------------------------------------------|-----------------------------------------------------------------------------------------|-----------------|-----|-----|-----|-------|
| t _(int) | External interrupt timing | Port P1, P2: P1.x to P2.x, external trigger signal for the interrupt flag, (see Note 1) | 2.2 V/3 V | 1.5 | | | cycle |
| | | | 2.2 V | 62 | | | ns |
| | | | 3 V | 50 | | | |
| t _(cap) | Timer_A, Timer_B capture timing | TA0, TA1, TA2 | 2.2 V | 62 | | | ns |
| | | TB0, TB1, TB2, TB3, TB4, TB5, TB6 (see Note 2) | 3 V | 50 | | | |
| f _(TAext) | Timer_A, Timer_B clock frequency externally applied to pin | TACLK, TBCLK, INCLK: t _(H) = t _(L) | 2.2 V | | | 8 | MHz |
| f _(TBext) | | | 3 V | | | 10 | |
| f _(TAint) | Timer_A, Timer_B clock frequency | SMCLK or ACLK signal selected | 2.2 V | | | 8 | MHz |
| f _(TBint) | | | 3 V | | | 10 | |

- NOTES: 1. The external signal sets the interrupt flag every time the minimum t_(int) cycle and time parameters are met. It may be set even with trigger signals shorter than t_(int). Both the cycle and timing specifications must be met to ensure the flag is set. t_(int) is measured in MCLK cycles.
2. Seven capture/compare registers in 'x44x(1) and three capture/compare registers in 'x43x(1).

leakage current (see Notes 1 and 2)

| PARAMETER | | TEST CONDITIONS | | V _{CC} | MIN | TYP | MAX | UNIT |
|-------------------------|-----------------|-----------------|-----------------------------|-----------------|-----|-----|-----|------|
| I _{lkg} (P1.x) | Leakage current | Port P1 | Port 1: V _(P1.x) | 2.2 V/3 V | | | ±50 | nA |
| I _{lkg} (P2.x) | | Port P2 | Port 2: V _(P2.x) | | | | ±50 | |
| I _{lkg} (P3.x) | | Port P3 | Port 3: V _(P3.x) | | | | ±50 | |
| I _{lkg} (P4.x) | | Port P4 | Port 4: V _(P4.x) | | | | ±50 | |
| I _{lkg} (P5.x) | | Port P5 | Port 5: V _(P5.x) | | | | ±50 | |
| I _{lkg} (P6.x) | | Port P6 | Port 6: V _(P6.x) | | | | ±50 | |

- NOTES: 1. The leakage current is measured with V_{SS} or V_{CC} applied to the corresponding pin(s), unless otherwise noted.
2. The port pin must be selected as input and there must be no optional pullup or pulldown resistor.

MSP430x43x1, MSP430x43x, MSP430x44x1, MSP430x44x MIXED SIGNAL MICROCONTROLLER

SLAS344G – JANUARY 2002 – REVISED OCTOBER 2009

electrical characteristics over recommended operating free-air temperature (unless otherwise noted) (continued)

outputs – ports P1, P2, P3, P4, P5, P6

| PARAMETER | | TEST CONDITIONS | V _{CC} | MIN | TYP | MAX | UNIT |
|-----------------|---------------------------|---------------------------------------------|-----------------|-----------------------|-----|-----------------------|------|
| V _{OH} | High-level output voltage | I _{OH(max)} = -1.5 mA (See Note 1) | 2.2 V | V _{CC} -0.25 | | V _{CC} | V |
| | | I _{OH(max)} = -6 mA (See Note 2) | 2.2 V | V _{CC} -0.6 | | V _{CC} | |
| | | I _{OH(max)} = -1.5 mA (See Note 1) | 3 V | V _{CC} -0.25 | | V _{CC} | |
| | | I _{OH(max)} = -6 mA (See Note 2) | 3 V | V _{CC} -0.6 | | V _{CC} | |
| V _{OL} | Low-level output voltage | I _{OL(max)} = 1.5 mA (See Note 1) | 2.2 V | V _{SS} | | V _{SS} +0.25 | V |
| | | I _{OL(max)} = 6 mA (See Note 2) | 2.2 V | V _{SS} | | V _{SS} +0.6 | |
| | | I _{OL(max)} = 1.5 mA (See Note 1) | 3 V | V _{SS} | | V _{SS} +0.25 | |
| | | I _{OL(max)} = 6 mA (See Note 2) | 3 V | V _{SS} | | V _{SS} +0.6 | |

- NOTES: 1. The maximum total current, I_{OH(max)} and I_{OL(max)}, for all outputs combined, should not exceed ±12 mA to satisfy the maximum specified voltage drop.
 2. The maximum total current, I_{OH(max)} and I_{OL(max)}, for all outputs combined, should not exceed ±48 mA to satisfy the maximum specified voltage drop.

output frequency

| PARAMETER | | TEST CONDITIONS | MIN | TYP | MAX | UNIT |
|----------------------------------------------|-------------------------------------------------------|-----------------------------------------------------------------------------|-------------------------------------------------------------------------------|-------------------------------------------|-----------------------|---------------|
| f _(Px,y) | (1 ≤ x ≤ 6, 0 ≤ y ≤ 7) | C _L = 20 pF, V _{CC} = 2.2 V | DC | | 5 | MHz |
| | | I _L = ±1.5 mA, V _{CC} = 3 V | DC | | 7.5 | |
| f _(ACLK) | P1.1/TA0/MCLK, P1.5/TACLK/ACLK P1.4/TBCLK/SMCLK | C _L = 20 pF | | | f _(System) | MHz |
| f _(MCLK) | | | | | | |
| f _(SMCLK) | | | | | | |
| t _(Xdc) | Duty cycle of output frequency | P1.5/TACLK/ACLK, C _L = 20 pF V _{CC} = 2.2 V / 3 V | f _(ACLK) = f _(LFXT1) = f _(XT1) | 40% | 60% | |
| | | | f _(ACLK) = f _(LFXT1) = f _(LF) | 30% | 70% | |
| | | | f _(ACLK) = f _(LFXT1) | 50% | | |
| | | P1.1/TA0/MCLK, C _L = 20 pF, V _{CC} = 2.2 V / 3 V | f _(MCLK) = f _(XT1) | 40% | 60% | |
| | | | f _(MCLK) = f _(DCOCLK) | 50%– 15 ns | 50% | 50%+ 15 ns |
| | | | P1.4/TBCLK/SMCLK, C _L = 20 pF, V _{CC} = 2.2 V / 3 V | f _(SMCLK) = f _(XT2) | 40% | 60% |
| f _(SMCLK) = f _(DCOCLK) | 50%– 15 ns | 50% | | 50%+ 15 ns | | |

electrical characteristics over recommended operating free-air temperature (unless otherwise noted) (continued)

outputs – Ports P1, P2, P3, P4, P5, and P6 (continued)

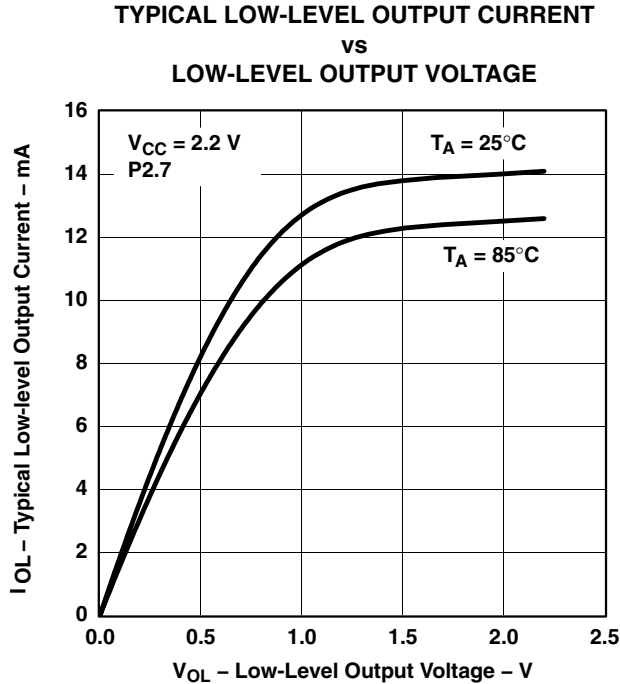


Figure 2

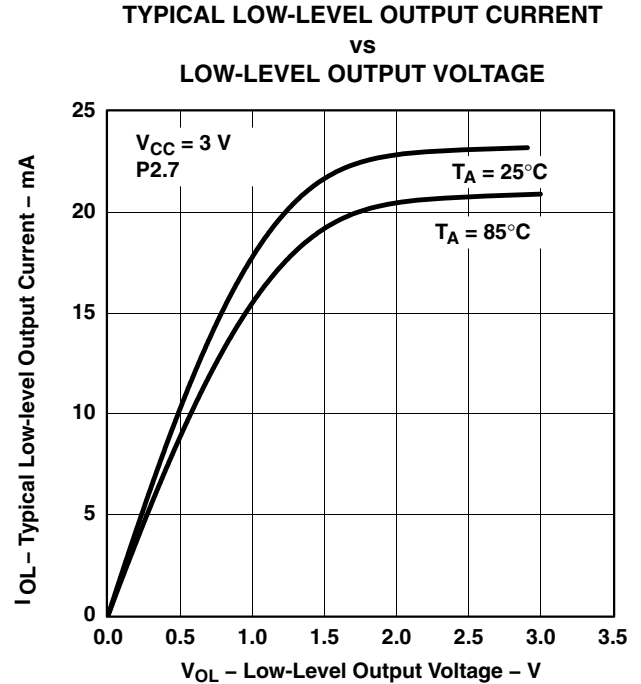


Figure 3

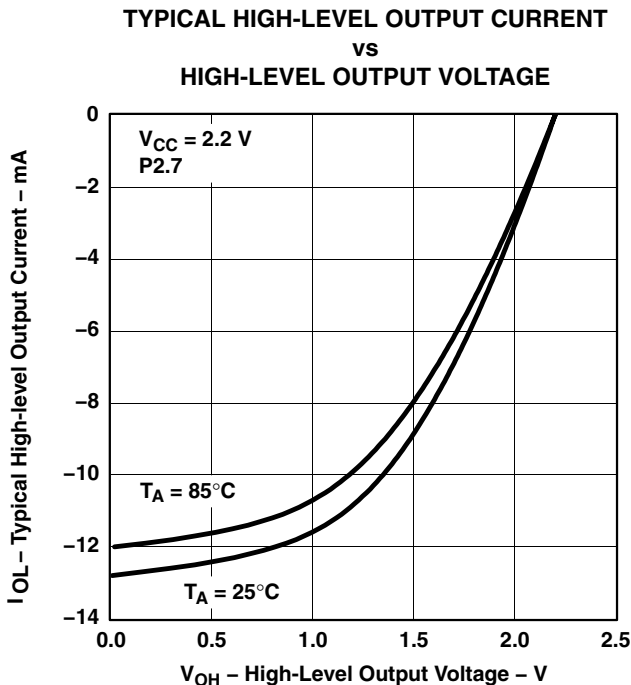


Figure 4

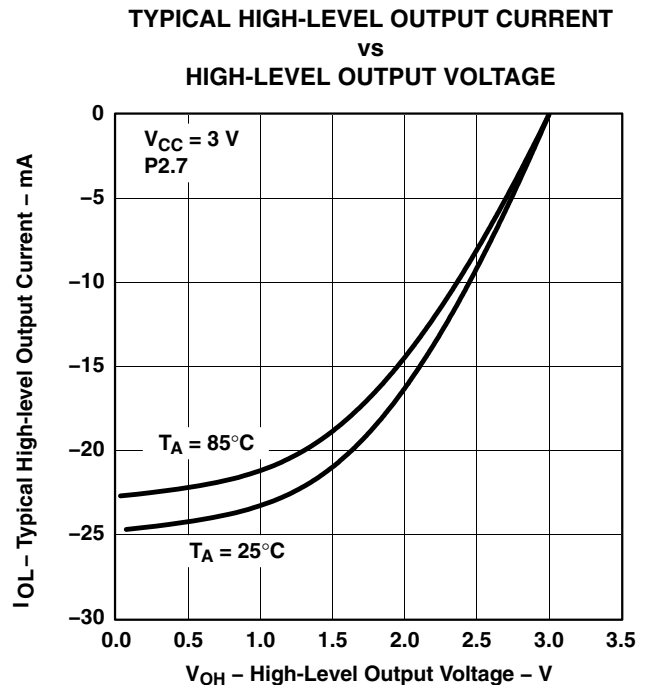


Figure 5

MSP430x43x1, MSP430x43x, MSP430x44x1, MSP430x44x MIXED SIGNAL MICROCONTROLLER

SLAS344G – JANUARY 2002 – REVISED OCTOBER 2009

electrical characteristics over recommended operating free-air temperature (unless otherwise noted) (continued)

wake-up LPM3

| PARAMETER | | TEST CONDITIONS | V _{CC} | MIN | TYP | MAX | UNIT |
|----------------------|------------|-----------------|-----------------|-----|-----|-----|------|
| t _{d(LPM3)} | Delay time | f = 1 MHz | 2.2 V/3 V | | | 6 | μs |
| | | f = 2 MHz | | | | 6 | |
| | | f = 3 MHz | | | | 6 | |

RAM

| PARAMETER | TEST CONDITIONS | MIN | TYP | MAX | UNIT |
|-----------|-------------------------|-----|-----|-----|------|
| VRAMh | CPU halted (see Note 1) | 1.6 | | | V |

NOTE 1: This parameter defines the minimum supply voltage when the data in program memory RAM remain unchanged. No program execution should take place during this supply voltage condition.

LCD

| PARAMETER | | TEST CONDITIONS | | MIN | TYP | MAX | UNIT |
|--------------------------------------|----------------------|---------------------------------------------------|----------------------------------------------------------------|-----------------------------------------------|-----------------------|-------------------------|------|
| V ₍₃₃₎ | Analog voltage | Voltage at P5.7/R33 | V _{CC} = 3 V | 2.5 | | V _{CC} + 0.2 | V |
| V ₍₂₃₎ | | Voltage at P5.6/R23 | | $[V_{(33)} - V_{(03)}] \times 2/3 + V_{(03)}$ | | | |
| V ₍₁₃₎ | | Voltage at P5.5/R13 | | $[V_{(33)} - V_{(03)}] \times 1/3 + V_{(03)}$ | | | |
| V _{(33) - V₍₀₃₎} | | Voltage at R33 to R03 | | 2.5 | V _{CC} + 0.2 | | |
| I _(R03) | Input leakage | R03 = V _{SS} | No load at all segment and common lines, V _{CC} = 3 V | | | ±20 | nA |
| I _(R13) | | P5.5/R13 = V _{CC} /3 | | | | ±20 | |
| I _(R23) | | P5.6/R23 = 2 × V _{CC} /3 | | | | ±20 | |
| V _(Sxx0) | Segment line voltage | I _(Sxx) = -3 μA, V _{CC} = 3 V | | V ₍₀₃₎ | | V ₍₀₃₎ - 0.1 | V |
| V _(Sxx1) | | | | V ₍₁₃₎ | | V ₍₁₃₎ - 0.1 | |
| V _(Sxx2) | | | | V ₍₂₃₎ | | V ₍₂₃₎ - 0.1 | |
| V _(Sxx3) | | | | V ₍₃₃₎ | | V ₍₃₃₎ + 0.1 | |

MSP430x43x1, MSP430x43x, MSP430x44x1, MSP430x44x MIXED SIGNAL MICROCONTROLLER

SLAS344G – JANUARY 2002 – REVISED OCTOBER 2009

electrical characteristics over recommended operating free-air temperature (unless otherwise noted) (continued)

Comparator_A (see Note 1)

| PARAMETER | TEST CONDITIONS | V _{CC} | MIN | TYP | MAX | UNIT | |
|-----------------------------------|----------------------------------------------------------------------------------------------------|------------------------------------------------------------------------------------------|-------------|------|------|--------------------|----|
| I _(CC) | CAON=1, CARSEL=0, CAREF=0 | 2.2 V | | 25 | 40 | μA | |
| | | 3 V | | 45 | 60 | | |
| I _(Refladder/RefDiode) | CAON=1, CARSEL=0, CAREF=1/2/3, No load at P1.6/CA0 and P1.7/CA1 | 2.2 V | | 30 | 50 | μA | |
| | | 3 V | | 45 | 71 | | |
| V _(Ref025) | Voltage @ 0.25 V _{CC} node $\frac{\text{Voltage @ } 0.25 V_{CC} \text{ node}}{V_{CC}}$ | PCA0=1, CARSEL=1, CAREF=1, No load at P1.6/CA0 and P1.7/CA1 | 2.2 V / 3 V | 0.23 | 0.24 | 0.25 | |
| V _(Ref050) | Voltage @ 0.5 V _{CC} node $\frac{\text{Voltage @ } 0.5 V_{CC} \text{ node}}{V_{CC}}$ | PCA0=1, CARSEL=1, CAREF=2, No load at P1.6/CA0 and P1.7/CA1 | 2.2V / 3 V | 0.47 | 0.48 | 0.5 | |
| V _(RefVT) | See Figure 6 and Figure 7 | PCA0=1, CARSEL=1, CAREF=3, No load at P1.6/CA0 and P1.7/CA1; T _A = 85°C | 2.2 V | 390 | 480 | 540 | mV |
| | | | 3 V | 400 | 490 | 550 | |
| V _{IC} | Common-mode input voltage range | CAON=1 | 2.2 V / 3 V | 0 | | V _{CC} -1 | V |
| V _p -V _s | Offset voltage | See Note 2 | 2.2 V / 3 V | -30 | | 30 | mV |
| V _{hys} | Input hysteresis | CAON = 1 | 2.2 V / 3 V | 0 | 0.7 | 1.4 | mV |
| t _(response LH) | | T _A = 25°C, Overdrive 10 mV, without filter: CAF = 0 | 2.2 V | 160 | 210 | 300 | ns |
| | | | 3 V | 80 | 150 | 240 | |
| | | T _A = 25°C Overdrive 10 mV, with filter: CAF = 1 | 2.2 V | 1.4 | 1.9 | 3.4 | μs |
| | | | 3 V | 0.9 | 1.5 | 2.6 | |
| t _(response HL) | | T _A = 25°C Overdrive 10 mV, without filter: CAF = 0 | 2.2 V | 130 | 210 | 300 | ns |
| | | | 3 V | 80 | 150 | 240 | |
| | | T _A = 25°C, Overdrive 10 mV, with filter: CAF = 1 | 2.2 V | 1.4 | 1.9 | 3.4 | μs |
| | | | 3 V | 0.9 | 1.5 | 2.6 | |

- NOTES: 1. The leakage current for the Comparator_A terminals is identical to I_{lkg(Px.x)} specification.
 2. The input offset voltage can be cancelled by using the CAEX bit to invert the Comparator_A inputs on successive measurements. The two successive measurements are then summed together.

MSP430x43x1, MSP430x43x, MSP430x44x1, MSP430x44x MIXED SIGNAL MICROCONTROLLER

SLAS344G – JANUARY 2002 – REVISED OCTOBER 2009

electrical characteristics over recommended operating free-air temperature (unless otherwise noted) (continued)

typical characteristics

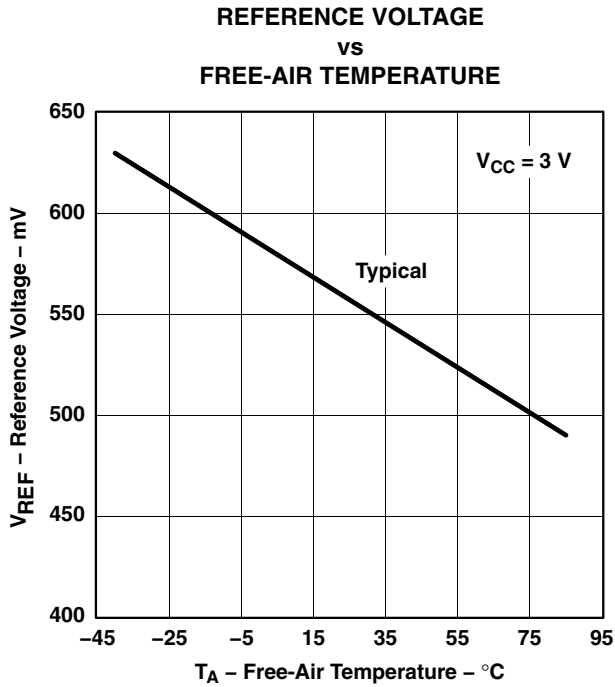


Figure 6. $V_{(RefVT)}$ vs Temperature

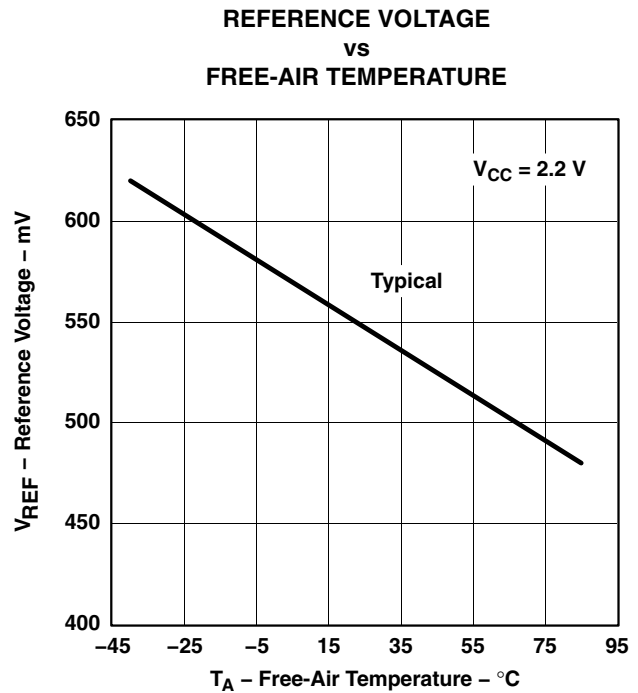


Figure 7. $V_{(RefVT)}$ vs Temperature

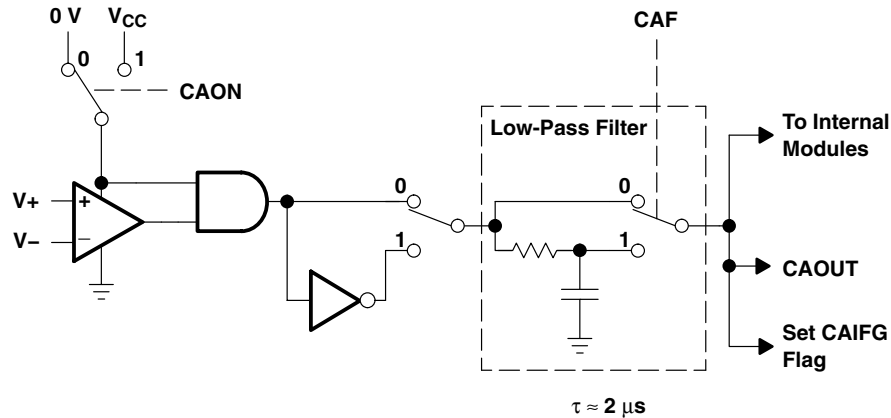


Figure 8. Block Diagram of Comparator_A Module

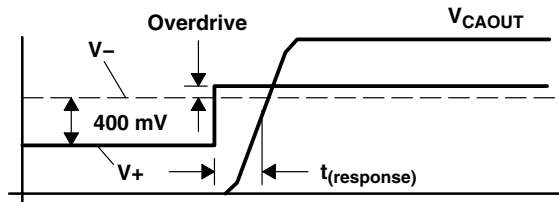


Figure 9. Overdrive Definition

electrical characteristics over recommended operating free-air temperature (unless otherwise noted) (continued)

POR/brownout reset (BOR) (see Note 1)

| PARAMETER | TEST CONDITIONS | MIN | TYP | MAX | UNIT |
|-------------------|----------------------------------------------------------------------------------------------------------|-----|---------------------------|------|---------------|
| $t_{d(BOR)}$ | | | | 2000 | μs |
| $V_{CC(start)}$ | $dV_{CC}/dt \leq 3 \text{ V/s}$ (see Figure 10) | | $0.7 \times V_{(B_IT-)}$ | | V |
| $V_{(B_IT-)}$ | $dV_{CC}/dt \leq 3 \text{ V/s}$ (see Figure 10 through Figure 12) | | | 1.71 | V |
| $V_{hys(B_IT-)}$ | $dV_{CC}/dt \leq 3 \text{ V/s}$ (see Figure 10) | 70 | 130 | 180 | mV |
| $t_{(reset)}$ | Pulse length needed at RST/NMI pin to accepted reset internally, $V_{CC} = 2.2 \text{ V}/3 \text{ V}$ | 2 | | | μs |

- NOTES: 1. The current consumption of the brownout module is already included in the I_{CC} current consumption data. The voltage level $V_{(B_IT-)} + V_{hys(B_IT-)}$ is $\leq 1.8\text{V}$.
2. During power up, the CPU begins code execution following a period of $t_{d(BOR)}$ after $V_{CC} = V_{(B_IT-)} + V_{hys(B_IT-)}$. The default FLL+ settings must not be changed until $V_{CC} \geq V_{CC(min)}$, where $V_{CC(min)}$ is the minimum supply voltage for the desired operating frequency. See the *MSP430x4xx Family User's Guide (SLAU056)* for more information on the brownout/SVS circuit.

typical characteristics

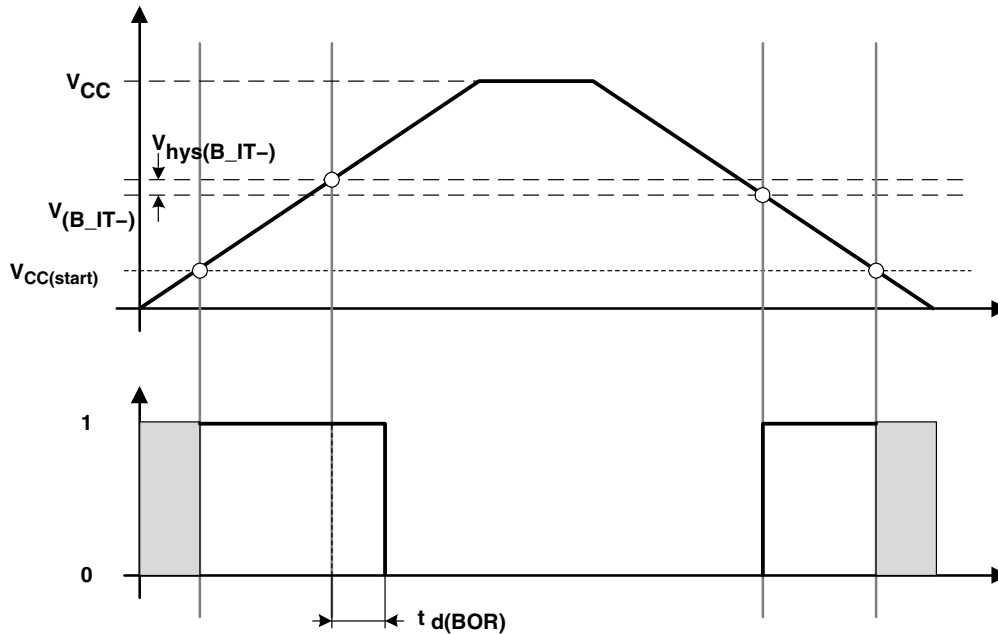


Figure 10. POR/Brownout Reset (BOR) vs Supply Voltage

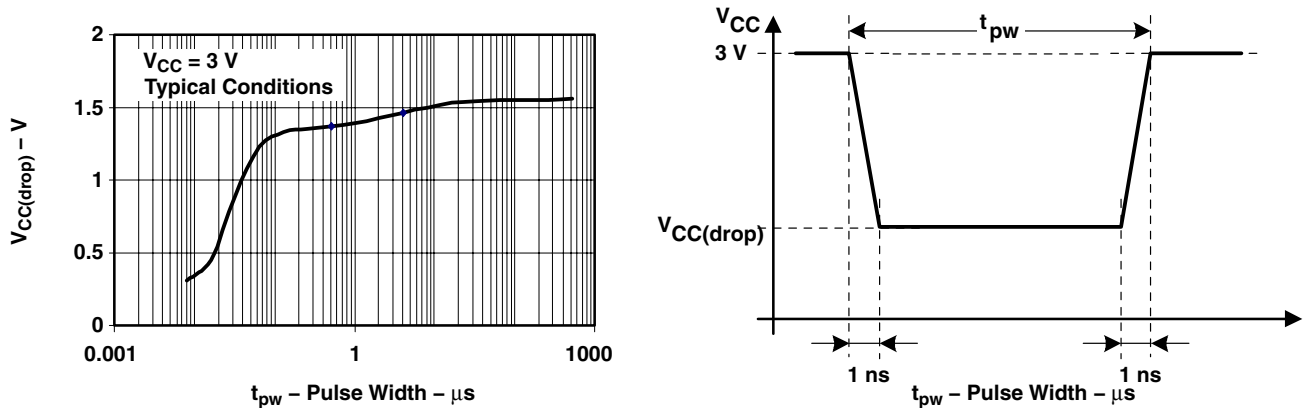


Figure 11. $V_{CC(drop)}$ Level With a Square Voltage Drop to Generate a POR/Brownout Signal

MSP430x43x1, MSP430x43x, MSP430x44x1, MSP430x44x MIXED SIGNAL MICROCONTROLLER

SLAS344G – JANUARY 2002 – REVISED OCTOBER 2009

typical characteristics (Continued)

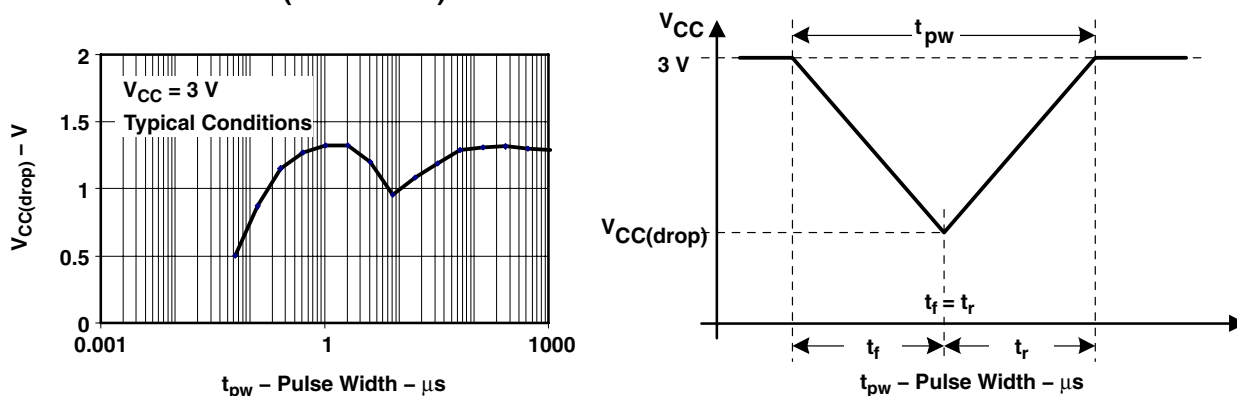


Figure 12. $V_{CC(drop)}$ Level With a Triangle Voltage Drop to Generate a POR/Brownout Signal

electrical characteristics over recommended operating free-air temperature (unless otherwise noted) (continued)

supply voltage supervisor/monitor (SVS)

| PARAMETER | TEST CONDITIONS | MIN | NOM | MAX | UNIT | |
|----------------------------|--------------------------------------------------------------------------------|------------------|-------------------------------|-------------------|-------------------------------|----|
| $t_{(SVSR)}$ | $dV_{CC}/dt > 30 \text{ V/ms}$ (see Figure 13) | 5 | | 150 | μs | |
| | $dV_{CC}/dt \leq 30 \text{ V/ms}$ | | | 2000 | μs | |
| $t_{d(SVSON)}$ | SVSON, switch from VLD=0 to VLD \neq 0, $V_{CC} = 3 \text{ V}$ | 20 | | 150 | μs | |
| t_{settle} | VLD \neq 0 [†] | | | 12 | μs | |
| $V_{(SVSstart)}$ | VLD \neq 0, $V_{CC}/dt \leq 3 \text{ V/s}$ (see Figure 13) | | 1.55 | 1.7 | V | |
| $V_{hys(SVS_IT-)}$ | $V_{CC}/dt \leq 3 \text{ V/s}$ (see Figure 13) | VLD = 1 | 70 | 120 | 155 | mV |
| | | VLD = 2 to 14 | $V_{(SVS_IT-)} \times 0.004$ | | $V_{(SVS_IT-)} \times 0.008$ | |
| $V_{(SVS_IT-)}$ | $V_{CC}/dt \leq 3 \text{ V/s}$ (see Figure 13), external voltage applied on A7 | VLD = 15 | 4.4 | | 10.4 | mV |
| | | VLD = 1 | 1.8 | 1.9 | 2.05 | V |
| | | VLD = 2 | 1.94 | 2.1 | 2.25 | |
| | | VLD = 3 | 2.05 | 2.2 | 2.37 | |
| | | VLD = 4 | 2.14 | 2.3 | 2.48 | |
| | | VLD = 5 | 2.24 | 2.4 | 2.6 | |
| | | VLD = 6 | 2.33 | 2.5 | 2.71 | |
| | | VLD = 7 | 2.46 | 2.65 | 2.86 | |
| | | VLD = 8 | 2.58 | 2.8 | 3 | |
| | | VLD = 9 | 2.69 | 2.9 | 3.13 | |
| | | VLD = 10 | 2.83 | 3.05 | 3.29 | |
| | | VLD = 11 | 2.94 | 3.2 | 3.42 | |
| | | VLD = 12 | 3.11 | 3.35 | 3.61 [†] | |
| | VLD = 13 | 3.24 | 3.5 | 3.76 [†] | | |
| VLD = 14 | 3.43 | 3.7 [†] | 3.99 [†] | | | |
| $V_{(SVS_IT-)}$ | $V_{CC}/dt \leq 3 \text{ V/s}$ (see Figure 13), external voltage applied on A7 | VLD = 15 | 1.1 | 1.2 | 1.3 | |
| | | | | | | |
| $I_{CC(SVS)}$ (see Note 3) | VLD \neq 0, $V_{CC} = 2.2 \text{ V}/3 \text{ V}$ | | 10 | 15 | μA | |

[†] The recommended operating voltage range is limited to 3.6 V.

[‡] t_{settle} is the settling time that the comparator o/p needs to have a stable level after VLD is switched VLD \neq 0 to a different VLD value somewhere between 2 and 15. The overdrive is assumed to be $> 50 \text{ mV}$.

NOTE 3: The current consumption of the SVS module is not included in the I_{CC} current consumption data.

typical characteristics

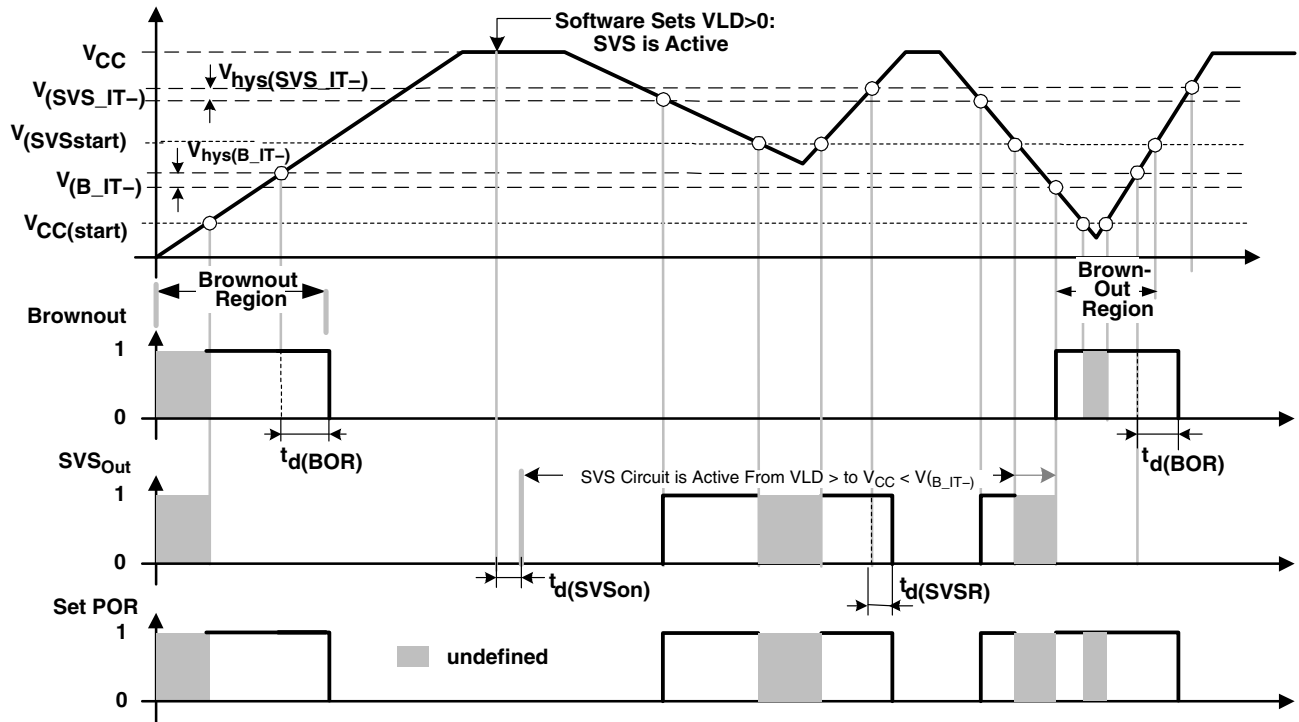


Figure 13. SVS Reset (SVSR) vs Supply Voltage

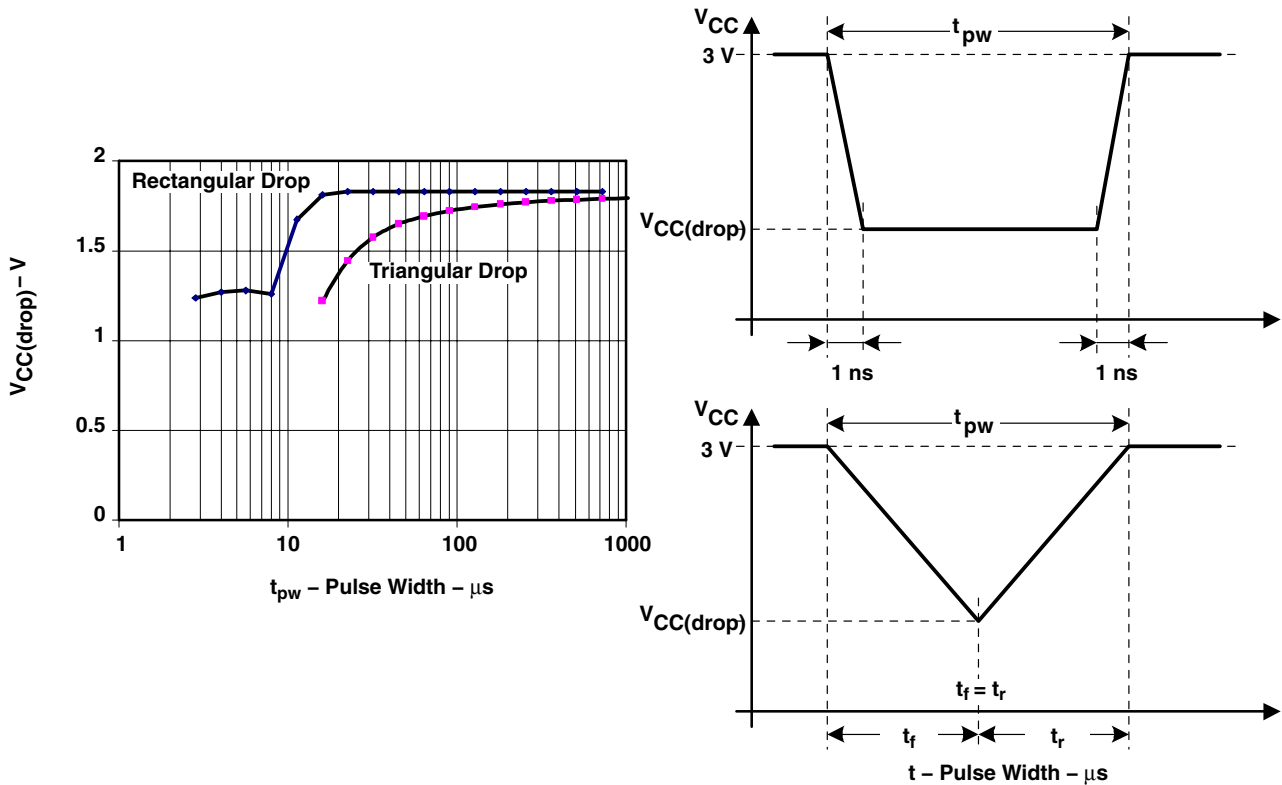


Figure 14. $V_{CC(drop)}$ With a Square Voltage Drop and a Triangle Voltage Drop to Generate an SVS Signal

MSP430x43x1, MSP430x43x, MSP430x44x1, MSP430x44x MIXED SIGNAL MICROCONTROLLER

SLAS344G – JANUARY 2002 – REVISED OCTOBER 2009

electrical characteristics over recommended operating free-air temperature (unless otherwise noted) (continued)

DCO

| PARAMETER | TEST CONDITIONS | MIN | TYP | MAX | UNIT | | | |
|----------------|-------------------------------------------------------------------------------------------------------------------------|----------------------|-----|-----|------|------|------|------|
| $f_{(DCOCLK)}$ | $N_{(DCO)}=01Eh$, $FN_8=FN_4=FN_3=FN_2=0$, $D = 2$; $DCOPLUS= 0$, $f_{Crystal} = 32.768$ kHz | $V_{CC} = 2.2$ V/3 V | | | 1 | MHz | | |
| $f_{(DCO=2)}$ | $FN_8=FN_4=FN_3=FN_2=0$; $DCOPLUS = 1$ | $V_{CC} = 2.2$ V | | | 0.3 | 0.65 | 1.25 | MHz |
| | | $V_{CC} = 3$ V | | | 0.3 | 0.7 | 1.3 | |
| $f_{(DCO=27)}$ | $FN_8=FN_4=FN_3=FN_2=0$; $DCOPLUS = 1$ | $V_{CC} = 2.2$ V | | | 2.5 | 5.6 | 10.5 | MHz |
| | | $V_{CC} = 3$ V | | | 2.7 | 6.1 | 11.3 | |
| $f_{(DCO=2)}$ | $FN_8=FN_4=FN_3=0$, $FN_2=1$; $DCOPLUS = 1$ | $V_{CC} = 2.2$ V | | | 0.7 | 1.3 | 2.3 | MHz |
| | | $V_{CC} = 3$ V | | | 0.8 | 1.5 | 2.5 | |
| $f_{(DCO=27)}$ | $FN_8=FN_4=FN_3=0$, $FN_2=1$; $DCOPLUS = 1$ | $V_{CC} = 2.2$ V | | | 5.7 | 10.8 | 18 | MHz |
| | | $V_{CC} = 3$ V | | | 6.5 | 12.1 | 20 | |
| $f_{(DCO=2)}$ | $FN_8=FN_4=0$, $FN_3= 1$, $FN_2=x$; $DCOPLUS = 1$ | $V_{CC} = 2.2$ V | | | 1.2 | 2 | 3 | MHz |
| | | $V_{CC} = 3$ V | | | 1.3 | 2.2 | 3.5 | |
| $f_{(DCO=27)}$ | $FN_8=FN_4=0$, $FN_3= 1$, $FN_2=x$; $DCOPLUS = 1$ | $V_{CC} = 2.2$ V | | | 9 | 15.5 | 25 | MHz |
| | | $V_{CC} = 3$ V | | | 10.3 | 17.9 | 28.5 | |
| $f_{(DCO=2)}$ | $FN_8=0$, $FN_4= 1$, $FN_3= FN_2=x$; $DCOPLUS = 1$ | $V_{CC} = 2.2$ V | | | 1.8 | 2.8 | 4.2 | MHz |
| | | $V_{CC} = 3$ V | | | 2.1 | 3.4 | 5.2 | |
| $f_{(DCO=27)}$ | $FN_8=0$, $FN_4=1$, $FN_3= FN_2=x$; $DCOPLUS = 1$ | $V_{CC} = 2.2$ V | | | 13.5 | 21.5 | 33 | MHz |
| | | $V_{CC} = 3$ V | | | 16 | 26.6 | 41 | |
| $f_{(DCO=2)}$ | $FN_8=1$, $FN_4=FN_3=FN_2=x$; $DCOPLUS = 1$ | $V_{CC} = 2.2$ V | | | 2.8 | 4.2 | 6.2 | MHz |
| | | $V_{CC} = 3$ V | | | 4.2 | 6.3 | 9.2 | |
| $f_{(DCO=27)}$ | $FN_8=1$, $FN_4=FN_3=FN_2=x$; $DCOPLUS = 1$ | $V_{CC} = 2.2$ V | | | 21 | 32 | 46 | MHz |
| | | $V_{CC} = 3$ V | | | 30 | 46 | 70 | |
| S_n | Step size between adjacent DCO taps: $S_n = f_{DCO(Tap\ n+1)} / f_{DCO(Tap\ n)}$, (see Figure 16 for taps 21 to 27) | $1 < TAP \leq 20$ | | | 1.06 | 1.11 | | |
| | | $TAP = 27$ | | | 1.07 | 1.17 | | |
| D_t | Temperature drift, $N_{(DCO)} = 01Eh$, $FN_8=FN_4=FN_3=FN_2=0$ $D = 2$; $DCOPLUS = 0$ | $V_{CC} = 2.2$ V | | | -0.2 | -0.3 | -0.4 | %/°C |
| | | $V_{CC} = 3$ V | | | -0.2 | -0.3 | -0.4 | |
| D_V | Drift with V_{CC} variation, $N_{(DCO)} = 01Eh$, $FN_8=FN_4=FN_3=FN_2=0$, $D = 2$; $DCOPLUS = 0$ | $V_{CC} = 2.2$ V/3 V | | | 0 | 5 | 15 | %/V |

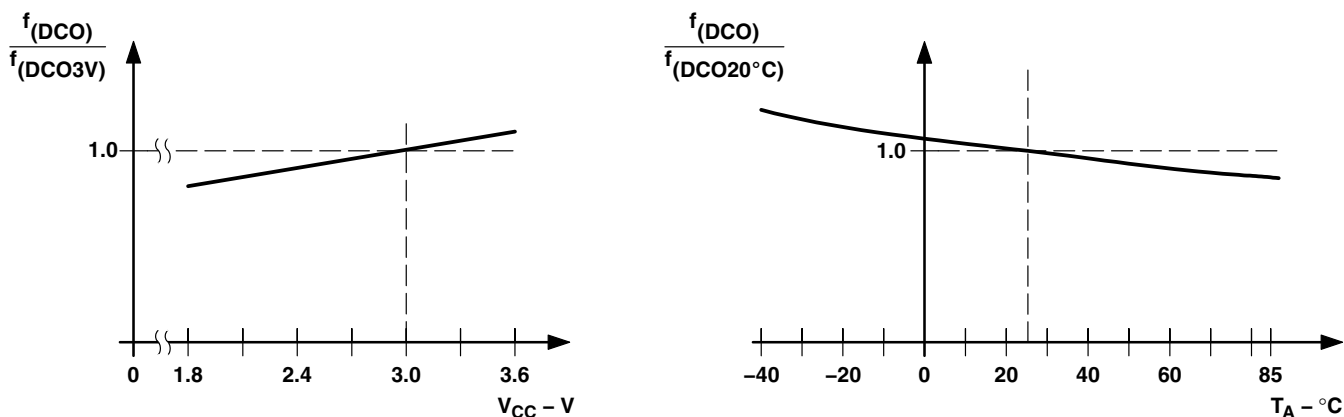


Figure 15. DCO Frequency vs Supply Voltage V_{CC} and vs Ambient Temperature

electrical characteristics over recommended operating free-air temperature (unless otherwise noted) (continued)

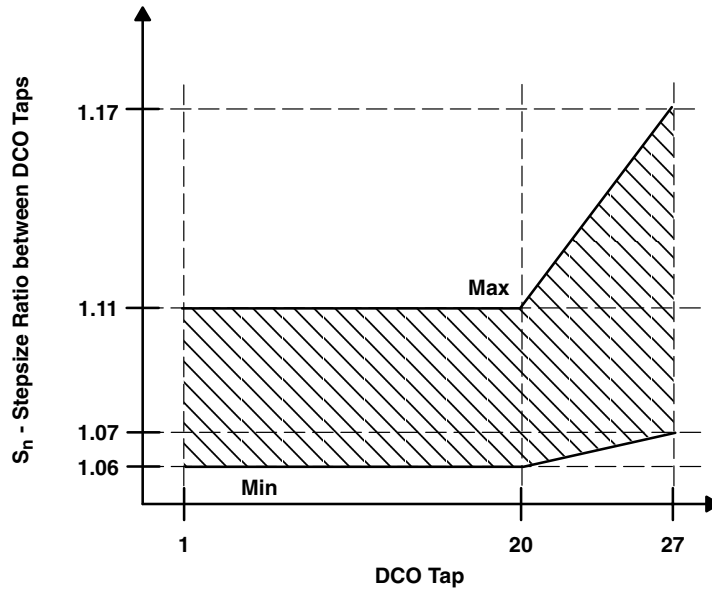


Figure 16. DCO Tap Step Size

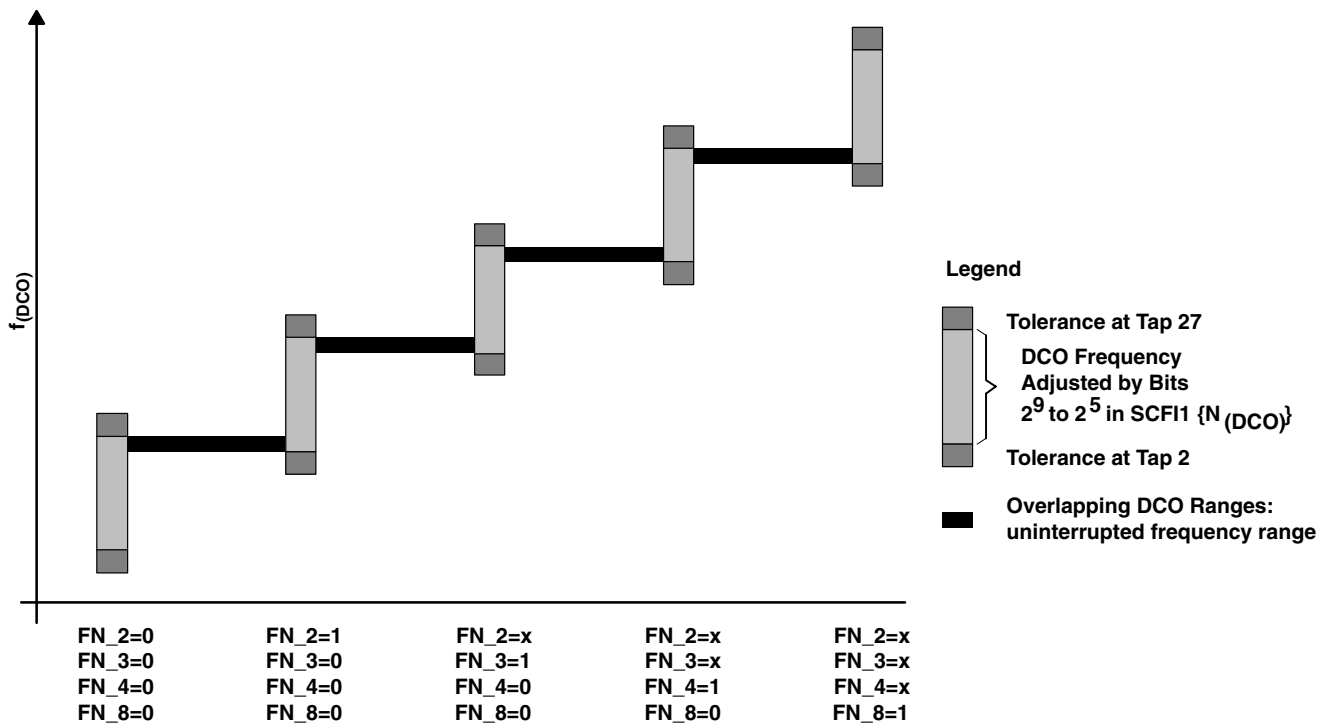


Figure 17. Five Overlapping DCO Ranges Controlled by FN_x Bits

MSP430x43x1, MSP430x43x, MSP430x44x1, MSP430x44x MIXED SIGNAL MICROCONTROLLER

SLAS344G – JANUARY 2002 – REVISED OCTOBER 2009

electrical characteristics over recommended operating free-air temperature (unless otherwise noted) (continued)

crystal oscillator, LFXT1 oscillator (see Notes 1 and 2)

| PARAMETER | | TEST CONDITIONS | V _{CC} | MIN | TYP | MAX | UNIT |
|-------------------|-------------------------------|-----------------|-----------------|-----------------------|-----|-----------------------|------|
| C _{XIN} | Integrated input capacitance | OSCCAPx = 0h | 2.2 V / 3 V | | 0 | | pF |
| | | OSCCAPx = 1h | 2.2 V/3 V | | 10 | | |
| | | OSCCAPx = 2h | 2.2 V/3 V | | 14 | | |
| | | OSCCAPx = 3h | 2.2 V/3 V | | 18 | | |
| C _{XOUT} | Integrated output capacitance | OSCCAPx = 0h | 2.2 V/3 V | | 0 | | pF |
| | | OSCCAPx = 1h | 2.2 V/3 V | | 10 | | |
| | | OSCCAPx = 2h | 2.2 V/3 V | | 14 | | |
| | | OSCCAPx = 3h | 2.2 V/3 V | | 18 | | |
| V _{IL} | Input levels at XIN | See Note 3 | 2.2 V/3 V | V _{SS} | | 0.2 × V _{CC} | V |
| V _{IH} | | | | 0.8 × V _{CC} | | V _{CC} | V |

- NOTES: 1. The parasitic capacitance from the package and board may be estimated to be 2 pF. The effective load capacitor for the crystal is $(C_{XIN} \times C_{XOUT}) / (C_{XIN} + C_{XOUT})$. This is independent of XTS_FLL.
2. To improve EMI on the low-power LFXT1 oscillator, particularly in the LF mode (32 kHz), the following guidelines should be observed.
- Keep the trace between the 'F43x(1)/44x(1) and the crystal as short as possible.
 - Design a good ground plane around the oscillator pins.
 - Prevent crosstalk from other clock or data lines into oscillator pins XIN and XOUT.
 - Avoid running PCB traces underneath or adjacent to the XIN and XOUT pins.
 - Use assembly materials and praxis to avoid any parasitic load on the oscillator XIN and XOUT pins.
 - If conformal coating is used, ensure that it does not induce capacitive/resistive leakage between the oscillator pins.
 - Do not route the XOUT line to the JTAG header to support the serial programming adapter as shown in other documentation. This signal is no longer required for the serial programming adapter.
3. Applies only when using an external logic-level clock source. XTS_FLL must be set. Not applicable when using a crystal or resonator.
4. External capacitance is recommended for precision real-time clock applications; OSCCAPx = 0h.

crystal oscillator, XT2 oscillator (see Note 1)

| PARAMETER | | TEST CONDITIONS | MIN | NOM | MAX | UNIT |
|---------------------|-------------------------------|------------------------------------------|-----------------------|-----|-----------------------|------|
| C _{XT2IN} | Integrated input capacitance | V _{CC} = 2.2 V/3 V | | 2 | | pF |
| C _{XT2OUT} | Integrated output capacitance | V _{CC} = 2.2 V/3 V | | 2 | | pF |
| V _{IL} | Input levels at XT2IN | V _{CC} = 2.2 V/3 V (see Note 2) | V _{SS} | | 0.2 × V _{CC} | V |
| V _{IH} | | | 0.8 × V _{CC} | | V _{CC} | V |

- NOTES: 1. The oscillator needs capacitors at both terminals, with values specified by the crystal manufacturer.
2. Applies only when using an external logic-level clock source. Not applicable when using a crystal or resonator.

USART0, USART1 (see Note 1)

| PARAMETER | | TEST CONDITIONS | MIN | NOM | MAX | UNIT |
|------------------|-------------------------|----------------------------------------------|-----|-----|-----|------|
| t _(r) | USART0/1: deglitch time | V _{CC} = 2.2 V, SYNC = 0, UART mode | 200 | 430 | 800 | ns |
| | | V _{CC} = 3 V, SYNC = 0, UART mode | 150 | 280 | 500 | |

- NOTE 1: The signal applied to the USART0/1 receive signal/terminal (URXD0/1) should meet the timing requirements of t_(r) to ensure that the URXS flip-flop is set. The URXS flip-flop is set with negative pulses meeting the minimum-timing condition of t_(r). The operating conditions to set the flag must be met independently from this timing constraint. The deglitch circuitry is active only on negative transitions on the URXD0/1 line.

MSP430x43x1, MSP430x43x, MSP430x44x1, MSP430x44x MIXED SIGNAL MICROCONTROLLER

SLAS344G – JANUARY 2002 – REVISED OCTOBER 2009

electrical characteristics over recommended operating free-air temperature (unless otherwise noted) (continued)

12-bit ADC, power supply and input range conditions (see Note 1)

| PARAMETER | | TEST CONDITIONS | V _{CC} | MIN | NOM | MAX | UNIT |
|------------------------|----------------------------------------------------------------------|-----------------------------------------------------------------------------------------------------------------------------------------------------------------------------------|-----------------|-----|------|-------------------|------|
| AV _{CC} | Analog supply voltage | AV _{CC} and DV _{CC} are connected together, AV _{SS} and DV _{SS} are connected together, V _(AVSS) = V _(DVSS) = 0 V | | 2.2 | | 3.6 | V |
| V _(P6.x/Ax) | Analog input voltage range (see Note 2) | All P6.0/A0 to P6.7/A7 terminals. Analog inputs selected in ADC12MCTLx register and P6Sel.x=1, 0 ≤ x ≤ 7; V _(AVSS) ≤ V _{P6.x/Ax} ≤ V _(AVCC) | | 0 | | V _{AVCC} | V |
| I _{ADC12} | Operating supply current into AV _{CC} terminal (see Note 3) | f _{ADC12CLK} = 5.0 MHz ADC12ON = 1, REFON = 0 SHT0=0, SHT1=0, ADC12DIV=0 | 2.2 V | | 0.65 | 1.3 | mA |
| | | | 3 V | | 0.8 | 1.6 | |
| I _{REF+} | Operating supply current into AV _{CC} terminal (see Note 4) | f _{ADC12CLK} = 5.0 MHz ADC12ON = 0, REFON = 1, REF2_5V = 1 | 3 V | | 0.5 | 0.8 | mA |
| | | | 2.2 V | | 0.5 | 0.8 | |
| C _i | Input capacitance | Only one terminal can be selected at one time, P6.x/Ax | 2.2 V | | | 40 | pF |
| | | | 3 V | | | 40 | |
| R _i | Input MUX ON resistance | 0V ≤ V _{Ax} ≤ V _{AVCC} | 3 V | | | 2000 | Ω |

- NOTES: 1. The leakage current is defined in the leakage current table with P6.x/Ax parameter.
 2. The analog input voltage range must be within the selected reference voltage range V_{R+} to V_{R-} for valid conversion results.
 3. The internal reference supply current is not included in current consumption parameter I_{ADC12}.
 4. The internal reference current is supplied via terminal AV_{CC}. Consumption is independent of the ADC12ON control bit, unless a conversion is active. The REFON bit enables to settle the built-in reference before starting an A/D conversion.

12-bit ADC, external reference (see Note 1)

| PARAMETER | | TEST CONDITIONS | V _{CC} | MIN | NOM | MAX | UNIT |
|--------------------------------------------------------------|-----------------------------------------------|-------------------------------------------------------------------------|-----------------|-----|-----|-------------------|------|
| V _{eREF+} | Positive external reference voltage input | V _{eREF+} > V _{REF-} /V _{eREF-} (see Note 2) | | 1.4 | | V _{AVCC} | V |
| V _{REF-} /V _{eREF-} | Negative external reference voltage input | V _{eREF+} > V _{REF-} /V _{eREF-} (see Note 3) | | 0 | | 1.2 | V |
| (V _{eREF+} – V _{REF-})/V _{eREF-} | Differential external reference voltage input | V _{eREF+} > V _{REF-} /V _{eREF-} (see Note 4) | | 1.4 | | V _{AVCC} | V |
| I _{VeREF+} | Static input current | 0V ≤ V _{eREF+} ≤ V _{AVCC} | 2.2 V/3 V | | | ±1 | μA |
| I _{VREF-/VeREF-} | Static input current | 0V ≤ V _{eREF-} ≤ V _{AVCC} | 2.2 V/3 V | | | ±1 | μA |

- NOTES: 1. The external reference is used during conversion to charge and discharge the capacitance array. The input capacitance, C_i, is also the dynamic load for an external reference during conversion. The dynamic impedance of the reference supply should follow the recommendations on analog-source impedance to allow the charge to settle for 12-bit accuracy.
 2. The accuracy limits the minimum positive external reference voltage. Lower reference voltage levels may be applied with reduced accuracy requirements.
 3. The accuracy limits the maximum negative external reference voltage. Higher reference voltage levels may be applied with reduced accuracy requirements.
 4. The accuracy limits minimum external differential reference voltage. Lower differential reference voltage levels may be applied with reduced accuracy requirements.

MSP430x43x1, MSP430x43x, MSP430x44x1, MSP430x44x MIXED SIGNAL MICROCONTROLLER

SLAS344G – JANUARY 2002 – REVISED OCTOBER 2009

electrical characteristics over recommended operating free-air temperature (unless otherwise noted) (continued)

12-bit ADC, built-in reference

| PARAMETER | TEST CONDITIONS | V _{CC} | MIN | TYP | MAX | UNIT |
|-----------------------------------------------------------------------------------------------|---------------------------------------------------------------------------------------------------------------------------------------------------|-----------------|--------------------------|-----|------|--------|
| V _{REF+} Positive built-in reference voltage output | REF2_5V = 1 for 2.5 V I _{VREF+} ≤ I _{VREF+max} | 3 V | 2.4 | 2.5 | 2.6 | V |
| | REF2_5V = 0 for 1.5 V I _{VREF+} ≤ I _{VREF+max} | 2.2 V/3 V | 1.44 | 1.5 | 1.56 | |
| AV _{CC(min)} AV _{CC} minimum voltage, Positive built-in reference active | REF2_5V = 0, I _{VREF+} ≤ 1mA | | 2.2 | | | V |
| | REF2_5V = 1, I _{VREF+} ≤ 0.5mA | | V _{REF+} + 0.15 | | | |
| | REF2_5V = 1, I _{VREF+} ≤ 1mA | | V _{REF+} + 0.15 | | | |
| I _{VREF+} Load current out of V _{REF+} terminal | | 2.2 V | 0.01 | | -0.5 | mA |
| | | 3 V | | | -1 | |
| I _{L(VREF+)} Load-current regulation V _{REF+} terminal | I _{VREF+} = 500 μA +/- 100 μA Analog input voltage ~0.75 V; REF2_5V = 0 | 2.2 V | | | ±2 | LSB |
| | | 3 V | | | ±2 | |
| | I _{VREF+} = 500 μA ± 100 μA Analog input voltage ~1.25 V; REF2_5V = 1 | 3 V | | | ±2 | LSB |
| I _{DL(VREF+)} Load current regulation V _{REF+} terminal | I _{VREF+} = 100 μA → 900 μA, C _{VREF+} = 5 μF, A _x ~0.5 x V _{REF+} Error of conversion result ≤ 1 LSB | 3 V | | | 20 | ns |
| C _{VREF+} Capacitance at pin V _{REF+} (see Note 1) | REFON = 1, 0 mA ≤ I _{VREF+} ≤ I _{VREF+max} | 2.2 V/3 V | 5 | 10 | | μF |
| T _{REF+} Temperature coefficient of built-in reference | I _{VREF+} is a constant in the range of 0 mA ≤ I _{VREF+} ≤ 1 mA | 2.2 V/3 V | | | ±100 | ppm/°C |
| t _{REFON} Settle time of internal reference voltage (see Figure 18 and Note 2) | I _{VREF+} = 0.5 mA, C _{VREF+} = 10μF, V _{REF+} = 1.5 V | 2.2 V | | | 17 | ms |

- NOTES: 1. The internal buffer operational amplifier and the accuracy specifications require an external capacitor. All INL and DNL tests uses two capacitors between pins V_{REF+} and AV_{SS} and V_{REF-}/V_{eREF-} and AV_{SS}: 10 μF tantalum and 100 nF ceramic.
2. The condition is that the error in a conversion started after t_{REFON} is less than ±0.5 LSB. The settling time depends on the external capacitive load.

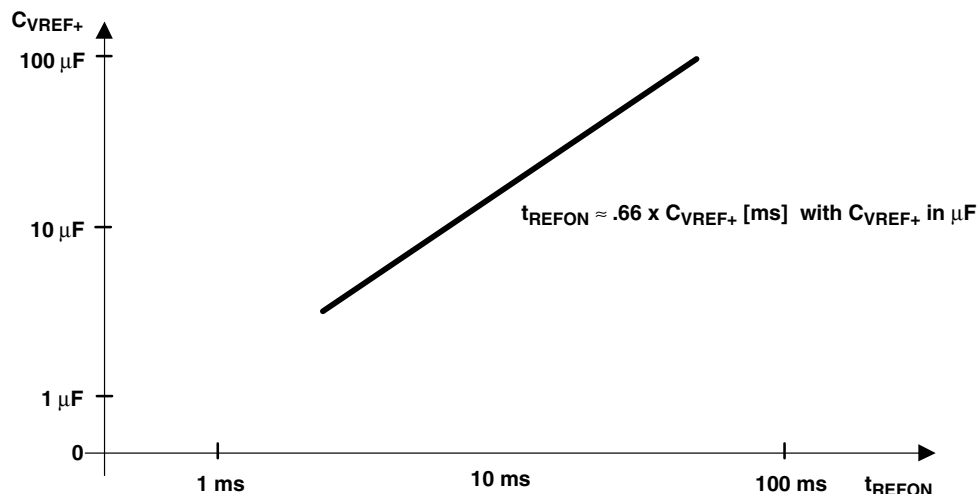


Figure 18. Typical Settling Time of Internal Reference t_{REFON} vs External Capacitor on V_{REF+}



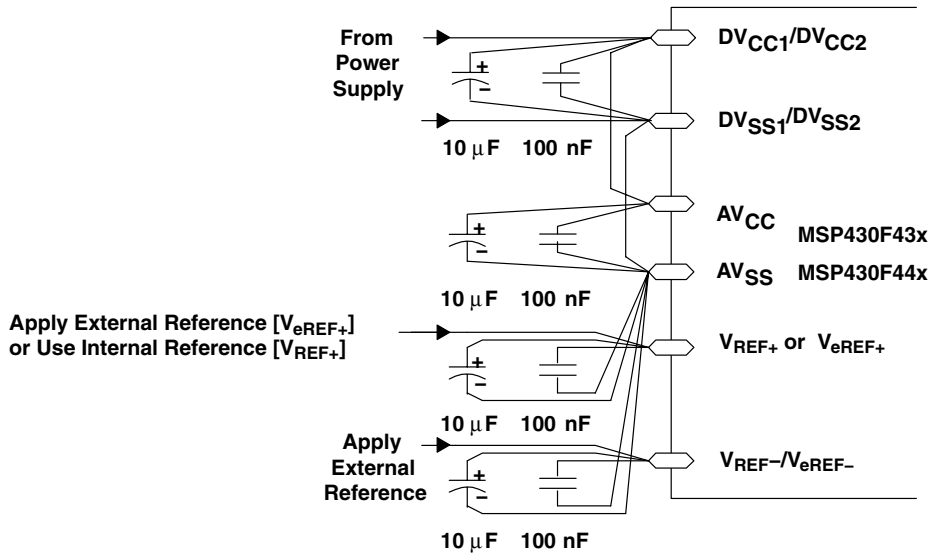


Figure 19. Supply Voltage and Reference Voltage Design V_{REF-}/V_{eREF-} External Supply

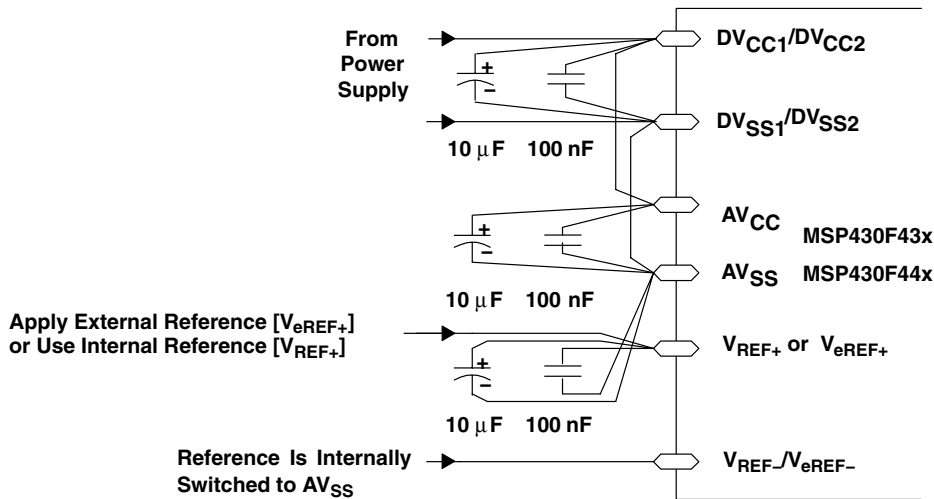


Figure 20. Supply Voltage and Reference Voltage Design $V_{REF-}/V_{eREF-} = AV_{SS}$, Internally Connected

MSP430x43x1, MSP430x43x, MSP430x44x1, MSP430x44x MIXED SIGNAL MICROCONTROLLER

SLAS344G – JANUARY 2002 – REVISED OCTOBER 2009

electrical characteristics over recommended operating free-air temperature (unless otherwise noted) (continued)

12-bit ADC, timing parameters

| PARAMETER | TEST CONDITIONS | V _{CC} | MIN | TYP | MAX | UNIT |
|-----------------------|---------------------------------------------------------------------------------------------------------------------------------------------------------------------|-----------------|------|-----------------------------------------|------|------|
| f _{ADC12CLK} | For specified performance of ADC12 linearity parameters | 2.2V/3 V | 0.45 | 5 | 6.3 | MHz |
| f _{ADC12OSC} | Internal ADC12 oscillator ADC12DIV=0, f _{ADC12CLK} =f _{ADC12OSC} | 2.2 V/ 3 V | 3.7 | | 6.3 | MHz |
| t _{CONVERT} | Conversion time C _{VREF+} ≥ 5 μF, Internal oscillator, f _{ADC12OSC} = 3.7 MHz to 6.3 MHz | 2.2 V/ 3 V | 2.06 | | 3.51 | μs |
| | External f _{ADC12CLK} from ACLK, MCLK or SMCLK: ADC12SSEL ≠ 0 | | | 13×ADC12DIV× 1/f _{ADC12CLK} | | μs |
| t _{ADC12ON} | Turn on settling time of the ADC See Note 1 | | | | 100 | ns |
| t _{Sample} | Sampling time R _S = 400 Ω, R _I = 1000 Ω, C _I = 30 pF τ = [R _S + R _I] × C _I (see Note 2) | 3 V | 1220 | | | ns |
| | | 2.2 V | 1400 | | | |

NOTES: 1. The condition is that the error in a conversion started after t_{ADC12ON} is less than ±0.5 LSB. The reference and input signal are already settled.

2. Approximately ten Tau (τ) are needed to get an error of less than ±0.5 LSB:

$$t_{\text{Sample}} = \ln(2^{n+1}) \times (R_S + R_I) \times C_I + 800 \text{ ns where } n = \text{ADC resolution} = 12, R_S = \text{external source resistance.}$$

12-bit ADC, linearity parameters

| PARAMETER | TEST CONDITIONS | V _{CC} | MIN | TYP | MAX | UNIT |
|----------------|---------------------------------------------------------------------------------------------------------------------------------------------------------------------------------------------------------------------------------------------------------------------------------|-----------------|-----|------|------|------|
| E _I | Integral linearity error 1.4 V ≤ (V _{eREF+} - V _{REF-/V_{eREF-}}) min ≤ 1.6 V | 2.2 V/3 V | | | ±2 | LSB |
| | 1.6 V < (V _{eREF+} - V _{REF-/V_{eREF-}}) min ≤ [V _(AVCC)] | | | | ±1.7 | |
| E _D | Differential linearity error (V _{eREF+} - V _{REF-/V_{eREF-}}) _{min} ≤ (V _{eREF+} - V _{REF-/V_{eREF-}}), C _{VREF+} = 10 μF (tantalum) and 100 nF (ceramic) | 2.2 V/3 V | | | ±1 | LSB |
| E _O | Offset error (V _{eREF+} - V _{REF-/V_{eREF-}}) _{min} ≤ (V _{eREF+} - V _{REF-/V_{eREF-}}), Internal impedance of source R _S < 100 Ω, C _{VREF+} = 10 μF (tantalum) and 100 nF (ceramic) | 2.2 V/3 V | | ±2 | ±4 | LSB |
| E _G | Gain error (V _{eREF+} - V _{REF-/V_{eREF-}}) _{min} ≤ (V _{eREF+} - V _{REF-/V_{eREF-}}), C _{VREF+} = 10 μF (tantalum) and 100 nF (ceramic) | 2.2 V/3 V | | ±1.1 | ±2 | LSB |
| E _T | Total unadjusted error (V _{eREF+} - V _{REF-/V_{eREF-}}) _{min} ≤ (V _{eREF+} - V _{REF-/V_{eREF-}}), C _{VREF+} = 10 μF (tantalum) and 100 nF (ceramic) | 2.2 V/3 V | | ±2 | ±5 | LSB |

MSP430x43x1, MSP430x43x, MSP430x44x1, MSP430x44x MIXED SIGNAL MICROCONTROLLER

SLAS344G – JANUARY 2002 – REVISED OCTOBER 2009

electrical characteristics over recommended operating free-air temperature (unless otherwise noted) (continued)

12-bit ADC, temperature sensor and built-in V_{MID}

| PARAMETER | | TEST CONDITIONS | V_{CC} | MIN | TYP | MAX | UNIT |
|----------------------|---------------------------------------------------------------|-------------------------------------------------------------|----------|------|------|-----------|---------|
| I_{SENSOR} | Operating supply current into AV_{CC} terminal (see Note 1) | REFON = 0, INCH = 0Ah, ADC12ON=NA, $T_A = 25^\circ C$ | 2.2 V | | 40 | 120 | μA |
| | | | 3 V | | 60 | 160 | |
| V_{SENSOR} | | ADC12ON = 1, INCH = 0Ah, $T_A = 0^\circ C$ | 2.2 V | | 986 | 986±5% | mV |
| | | | 3 V | | 986 | 986±5% | |
| TC_{SENSOR} | | ADC12ON = 1, INCH = 0Ah | 2.2 V | | 3.55 | 3.55±3% | mV/°C |
| | | | 3 V | | 3.55 | 3.55±3% | |
| $t_{SENSOR(sample)}$ | Sample time required if channel 10 is selected (see Note 2) | ADC12ON = 1, INCH = 0Ah, Error of conversion result ≤ 1 LSB | 2.2 V | 30 | | | μs |
| | | | 3 V | 30 | | | |
| I_{VMID} | Current into divider at channel 11 | ADC12ON = 1, INCH = 0Bh, (see Note 3) | 2.2 V | | | NA | μA |
| | | | 3 V | | | NA | |
| V_{MID} | AV_{CC} divider at channel 11 | ADC12ON = 1, INCH = 0Bh, V_{MID} is ~0.5 × V_{AVCC} | 2.2 V | | 1.1 | 1.1±0.04 | V |
| | | | 3 V | | 1.5 | 1.50±0.04 | |
| $t_{VMID(sample)}$ | Sample time required if channel 11 is selected (see Note 4) | ADC12ON = 1, INCH = 0Bh, Error of conversion result ≤ 1 LSB | 2.2 V | 1400 | | | ns |
| | | | 3 V | 1220 | | | |

- NOTES:
1. The sensor current I_{SENSOR} is consumed if (ADC12ON = 1 and REFON=1), or (ADC12ON=1 AND INCH=0Ah and sample signal is high). Therefore it includes the constant current through the sensor and the reference.
 2. The typical equivalent impedance of the sensor is 51 k Ω . The sample time required includes the sensor-on time $t_{SENSOR(on)}$.
 3. No additional current is needed. The V_{MID} is used during sampling.
 4. The on-time $t_{VMID(on)}$ is included in the sampling time $t_{VMID(sample)}$; no additional on time is needed.

MSP430x43x1, MSP430x43x, MSP430x44x1, MSP430x44x MIXED SIGNAL MICROCONTROLLER

SLAS344G – JANUARY 2002 – REVISED OCTOBER 2009

electrical characteristics over recommended operating free-air temperature (unless otherwise noted) (continued)

flash memory

| PARAMETER | | TEST CONDITIONS | V _{CC} | MIN | TYP | MAX | UNIT |
|----------------------------|-----------------------------------------------------|-----------------------|-----------------|-----------------|-----------------|-----|------------------|
| V _{CC(PGM/ERASE)} | Program and Erase supply voltage | | | 2.7 | | 3.6 | V |
| f _{FTG} | Flash Timing Generator frequency | | | 257 | | 476 | kHz |
| I _{PGM} | Supply current from DV _{CC} during program | | 2.7 V/ 3.6 V | | 3 | 5 | mA |
| I _{ERASE} | Supply current from DV _{CC} during erase | | 2.7 V/ 3.6 V | | 3 | 7 | mA |
| t _{CPT} | Cumulative program time | See Note 1 | 2.7 V/ 3.6 V | | | 10 | ms |
| t _{CMErase} | Cumulative mass erase time | See Note 2 | 2.7 V/ 3.6 V | 200 | | | ms |
| | Program/Erase endurance | | | 10 ⁴ | 10 ⁵ | | cycles |
| t _{Retention} | Data retention duration | T _J = 25°C | | 100 | | | years |
| t _{Word} | Word or byte program time | see Note 3 | | | 35 | | t _{FTG} |
| t _{Block, 0} | Block program time for 1 st byte or word | | | | 30 | | |
| t _{Block, 1-63} | Block program time for each additional byte or word | | | | 21 | | |
| t _{Block, End} | Block program end-sequence wait time | | | | 6 | | |
| t _{Mass Erase} | Mass erase time | | | | 5297 | | |
| t _{Seq Erase} | Segment erase time | | | | 4819 | | |

- NOTES: 1. The cumulative program time must not be exceeded when writing to a 64-byte flash block. This parameter applies to all programming methods: individual word/byte write and block write modes.
2. The mass erase duration generated by the flash timing generator is at least 11.1ms (= 5297x1/f_{FTG,max} = 5297x1/476kHz). To achieve the required cumulative mass erase time the Flash Controller's mass erase operation can be repeated until this time is met. (A worst case minimum of 19 cycles are required).
3. These values are hardwired into the Flash Controller's state machine (t_{FTG} = 1/f_{FTG}).

JTAG interface

| PARAMETER | | TEST CONDITIONS | V _{CC} | MIN | TYP | MAX | UNIT |
|-----------------------|--------------------------------------------------|-----------------|-----------------|-----|-----|-----|------|
| f _{TCK} | TCK input frequency | see Note 1 | 2.2 V | 0 | | 5 | MHz |
| | | | 3 V | 0 | | 10 | MHz |
| R _{Internal} | Internal pullup resistance on TMS, TCK, TDI/TCLK | see Note 2 | 2.2 V/ 3 V | 25 | 60 | 90 | kΩ |

- NOTES: 1. f_{TCK} may be restricted to meet the timing requirements of the module selected.
2. TMS, TDI/TCLK, and TCK pull-up resistors are implemented in all versions.

JTAG fuse (see Note 1)

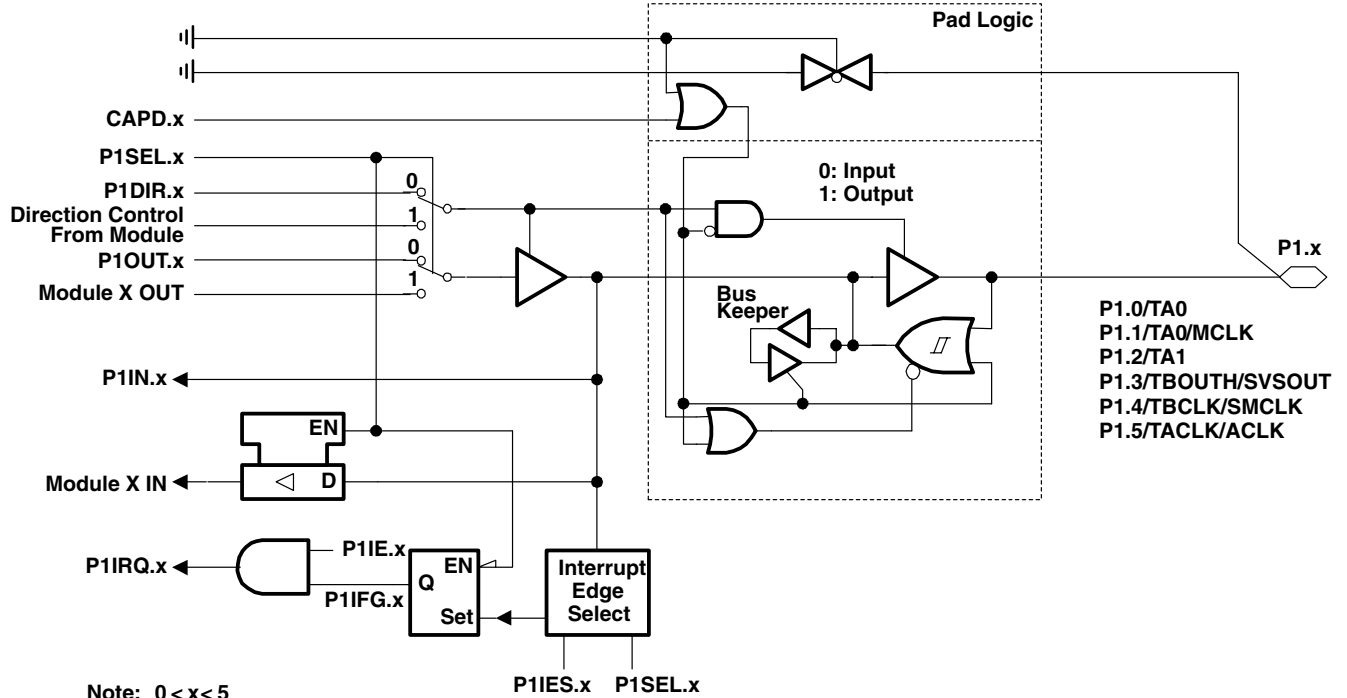
| PARAMETER | | TEST CONDITIONS | MIN | TYP | MAX | UNIT |
|---------------------|-----------------------------------------------------|-----------------------|-----|-----|-----|------|
| V _{CC(FB)} | Supply voltage during fuse-blow condition | T _A = 25°C | 2.5 | | | V |
| V _{FB} | Voltage level on TDI/TCLK for fuse-blow: F versions | | 6 | | 7 | V |
| I _{FB} | Supply current into TDI/TCLK during fuse blow | | | | 100 | mA |
| t _{FB} | Time to blow fuse | | | | 1 | ms |

- NOTES: 1. Once the fuse is blown, no further access to the MSP430 JTAG/Test and emulation features is possible. The JTAG block is switched to bypass mode.

APPLICATION INFORMATION

input/output schematics

port P1, P1.0 to P1.5, input/output with Schmitt trigger



Note: $0 \leq x \leq 5$

Note: Port function is active if CAPD.x = 0

| PnSel.x | PnDIR.x | Direction Control From Module | PnOUT.x | Module X OUT | PnIN.x | Module X IN | PnIE.x | PnIFG.x | PnIES.x |
|---------|---------|-------------------------------|---------|--------------|--------|-------------|--------|---------|---------|
| P1Sel.0 | P1DIR.0 | P1DIR.0 | P1OUT.0 | Out0 sig. † | P1IN.0 | CCI0A † | P1IE.0 | P1IFG.0 | P1IES.0 |
| P1Sel.1 | P1DIR.1 | P1DIR.1 | P1OUT.1 | MCLK | P1IN.1 | CCI0B † | P1IE.1 | P1IFG.1 | P1IES.1 |
| P1Sel.2 | P1DIR.2 | P1DIR.2 | P1OUT.2 | Out1 sig. † | P1IN.2 | CC1A † | P1IE.2 | P1IFG.2 | P1IES.2 |
| P1Sel.3 | P1DIR.3 | P1DIR.3 | P1OUT.3 | SVSOUT | P1IN.3 | TBOUTH ‡ | P1IE.3 | P1IFG.3 | P1IES.3 |
| P1Sel.4 | P1DIR.4 | P1DIR.4 | P1OUT.4 | SMCLK | P1IN.4 | TBCLK ‡ | P1IE.4 | P1IFG.4 | P1IES.4 |
| P1Sel.5 | P1DIR.5 | P1DIR.5 | P1OUT.5 | ACLK | P1IN.5 | TACLK † | P1IE.5 | P1IFG.5 | P1IES.5 |

† Timer_A

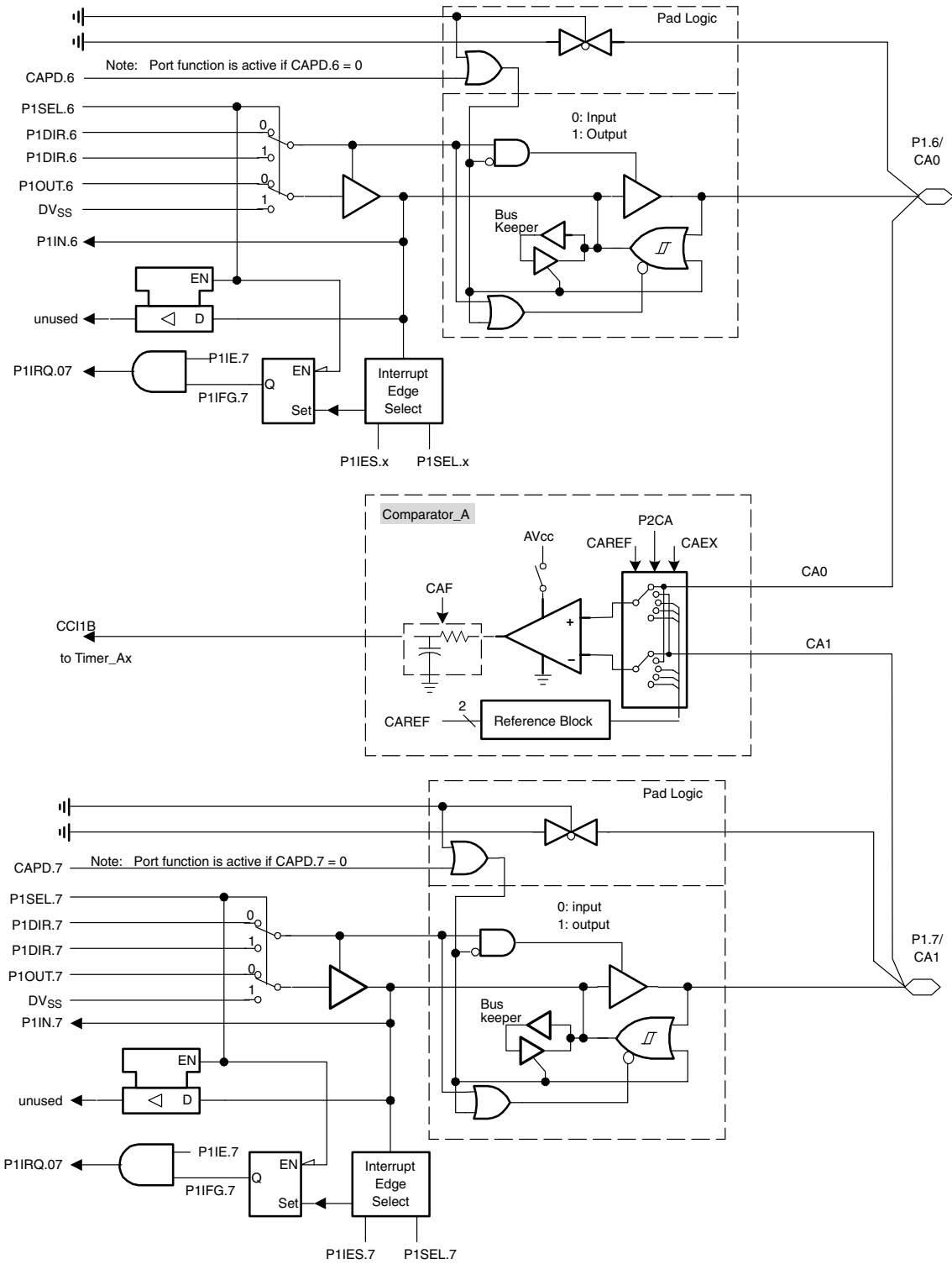
‡ Timer_B

MSP430x43x1, MSP430x43x, MSP430x44x1, MSP430x44x MIXED SIGNAL MICROCONTROLLER

SLAS344G – JANUARY 2002 – REVISED OCTOBER 2009

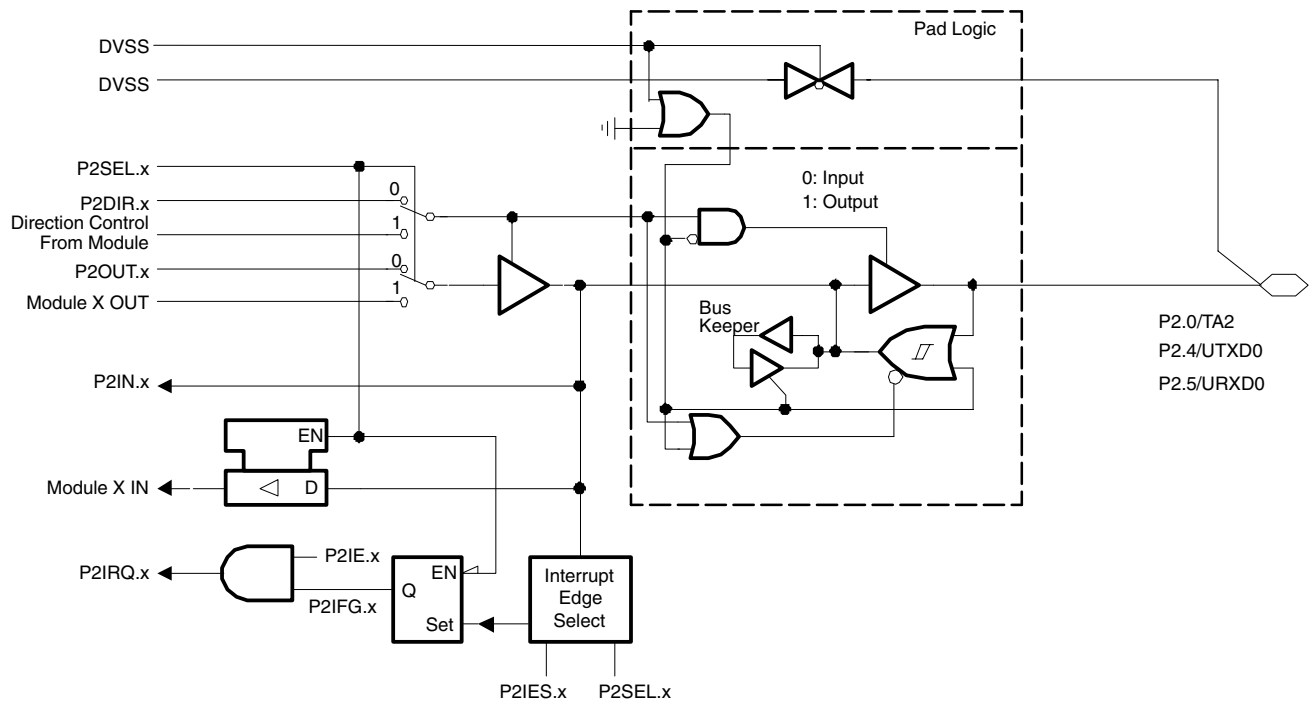
APPLICATION INFORMATION

port P1, P1.6, P1.7, input/output with Schmitt trigger



APPLICATION INFORMATION

port P2, P2.0, P2.4 to P2.5, input/output with Schmitt trigger



Note: x {0,4,5}

| PnSel.x | PnDIR.x | Dir. Control from module | PnOUT.x | Module X OUT | PnIN.x | Module X IN | PnIE.x | PnIFG.x | PnIES.x |
|---------|---------|--------------------------|---------|------------------|--------|-------------|--------|---------|---------|
| P2Sel.0 | P2DIR.0 | P2DIR.0 | P2OUT.0 | Out2 sig. † | P2IN.0 | CCI2A † | P2IE.0 | P2IFG.0 | P2IES.0 |
| P2Sel.4 | P2DIR.4 | DV _{CC} | P2OUT.4 | UTXD0 ‡ | P2IN.4 | unused | P2IE.4 | P2IFG.4 | P2IES.4 |
| P2Sel.5 | P2DIR.5 | DV _{SS} | P2OUT.5 | DV _{SS} | P2IN.5 | URXD0 ‡ | P2IE.5 | P2IFG.5 | P2IES.5 |

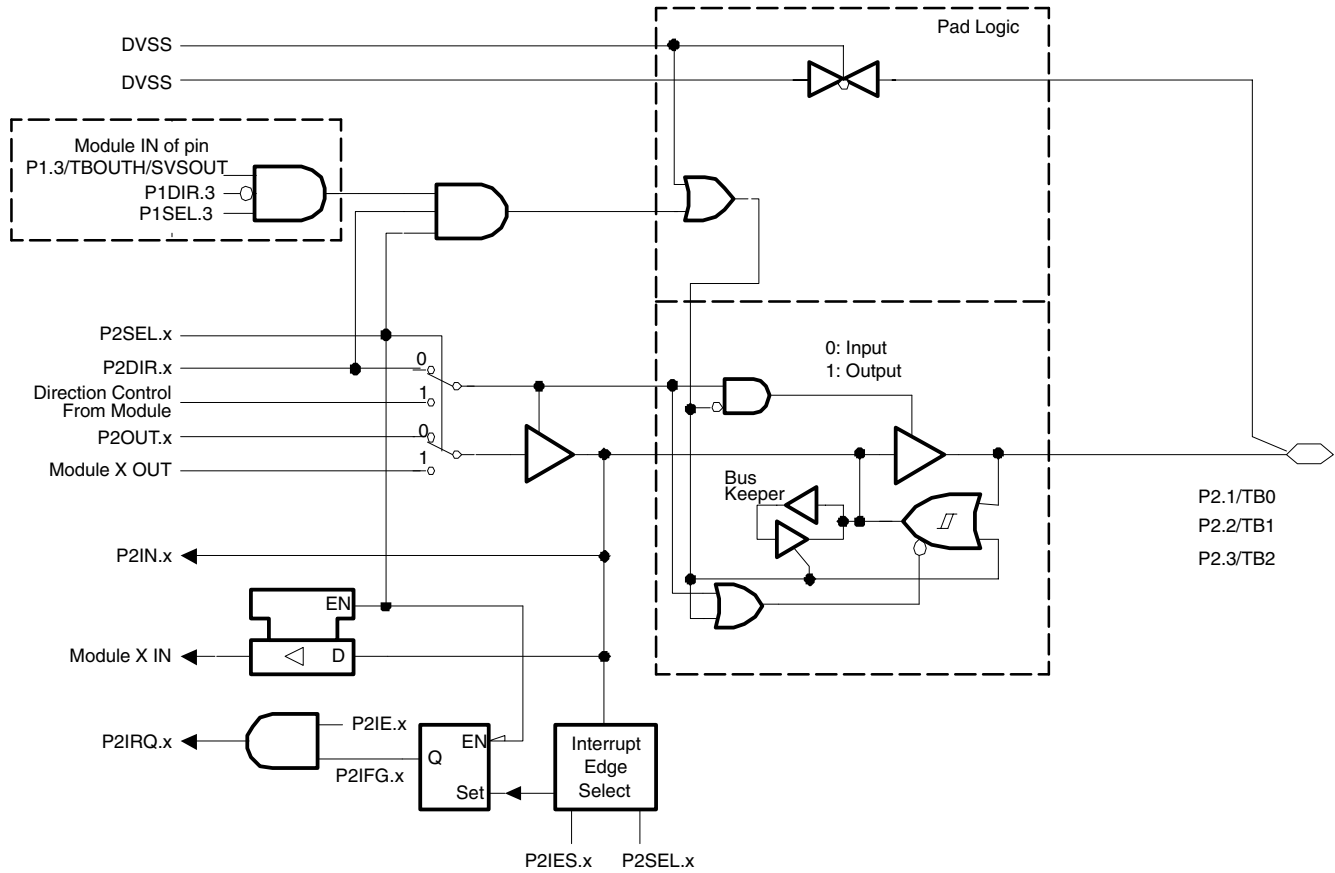
†Timer_A
‡USART0

MSP430x43x1, MSP430x43x, MSP430x44x1, MSP430x44x MIXED SIGNAL MICROCONTROLLER

SLAS344G – JANUARY 2002 – REVISED OCTOBER 2009

APPLICATION INFORMATION

port P2, P2.1 to P2.3, input/output with Schmitt trigger



Note: $1 \leq x \leq 3$

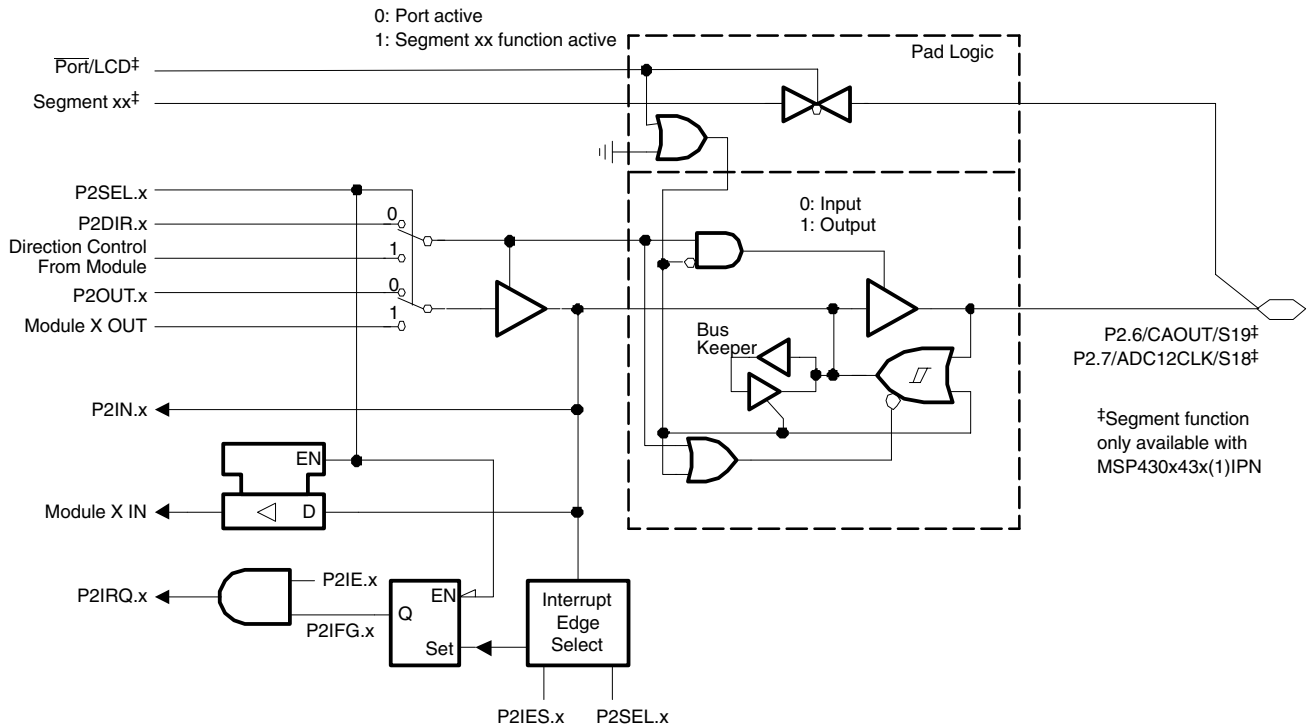
| PnSel.x | PnDIR.x | Dir. Control from module | PnOUT.x | Module X OUT | PnIN.x | Module X IN | PnIE.x | PnIFG.x | PnIES.x |
|---------|---------|--------------------------|---------|--------------|--------|------------------|--------|---------|---------|
| P2Sel.1 | P2DIR.1 | P2DIR.1 | P2OUT.1 | Out0 sig. † | P2IN.1 | CC10A † CC10B | P2IE.1 | P2IFG.1 | P2IES.1 |
| P2Sel.2 | P2DIR.2 | P2DIR.2 | P2OUT.2 | Out1 sig. † | P2IN.2 | CC11A † CC11B | P2IE.2 | P2IFG.2 | P2IES.2 |
| P2Sel.3 | P2DIR.3 | P2DIR.3 | P2OUT.3 | Out2 sig. † | P2IN.3 | CC12A † CC12B | P2IE.3 | P2IFG.3 | P2IES.3 |

†Timer_B



APPLICATION INFORMATION

port P2, P2.6 to P2.7, input/output with Schmitt trigger



Note: 6 ≤ x ≤ 7

| PnSel.x | PnDIR.x | Dir. Control from module | PnOUT.x | Module X OUT | PnIN.x | Module X IN | PnIE.x | PnIFG.x | PnIES.x | Port/LCD [†] |
|---------|---------|--------------------------|---------|-----------------------|--------|-------------|--------|---------|---------|--------------------------|
| P2Sel.6 | P2DIR.6 | P2DIR.6 | P2OUT.6 | CAOUT [†] | P2IN.6 | unused | P2IE.6 | P2IFG.6 | P2IES.6 | 0: LCDM<40h [‡] |
| P2Sel.7 | P2DIR.7 | P2DIR.7 | P2OUT.7 | ADC12CLK [§] | P2IN.7 | unused | P2IE.7 | P2IFG.7 | P2IES.7 | 0: LCDM<40h [‡] |

[†] Comparator_A

[‡]Port/LCD signal is 1 only with MSP430xIPN and LCDM ≥40h.

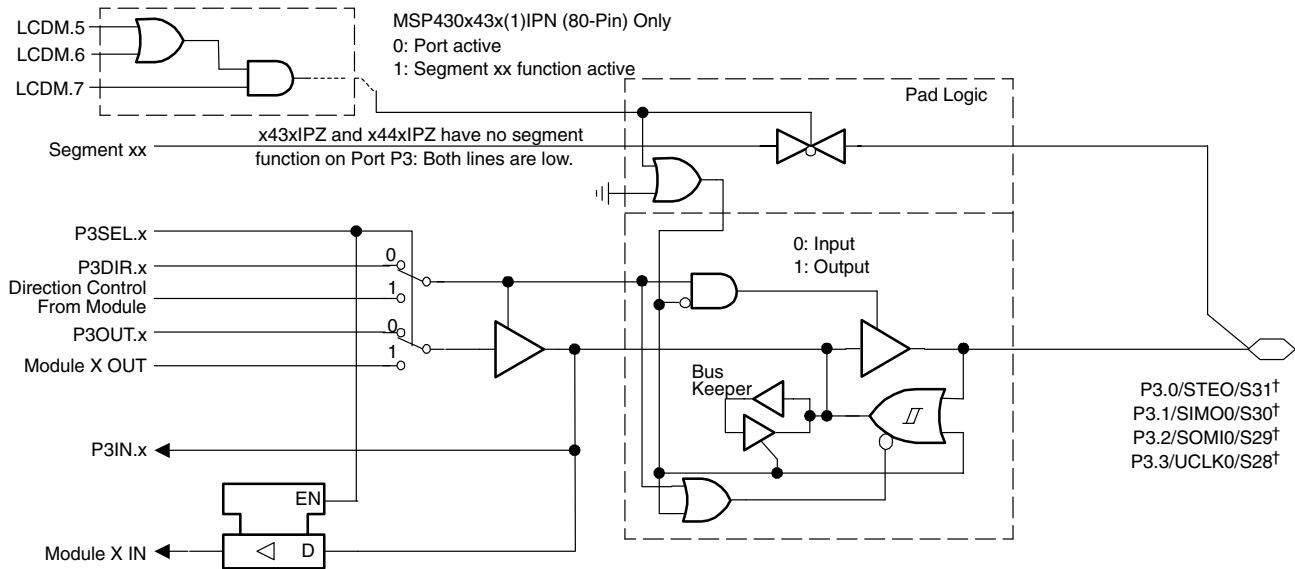
[§] ADC12

MSP430x43x1, MSP430x43x, MSP430x44x1, MSP430x44x MIXED SIGNAL MICROCONTROLLER

SLAS344G – JANUARY 2002 – REVISED OCTOBER 2009

APPLICATION INFORMATION

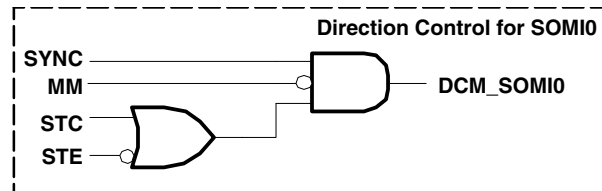
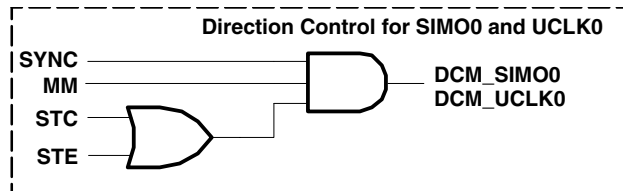
port P3, P3.0 to P3.3, input/output with Schmitt trigger



Note: $0 \leq x \leq 3$

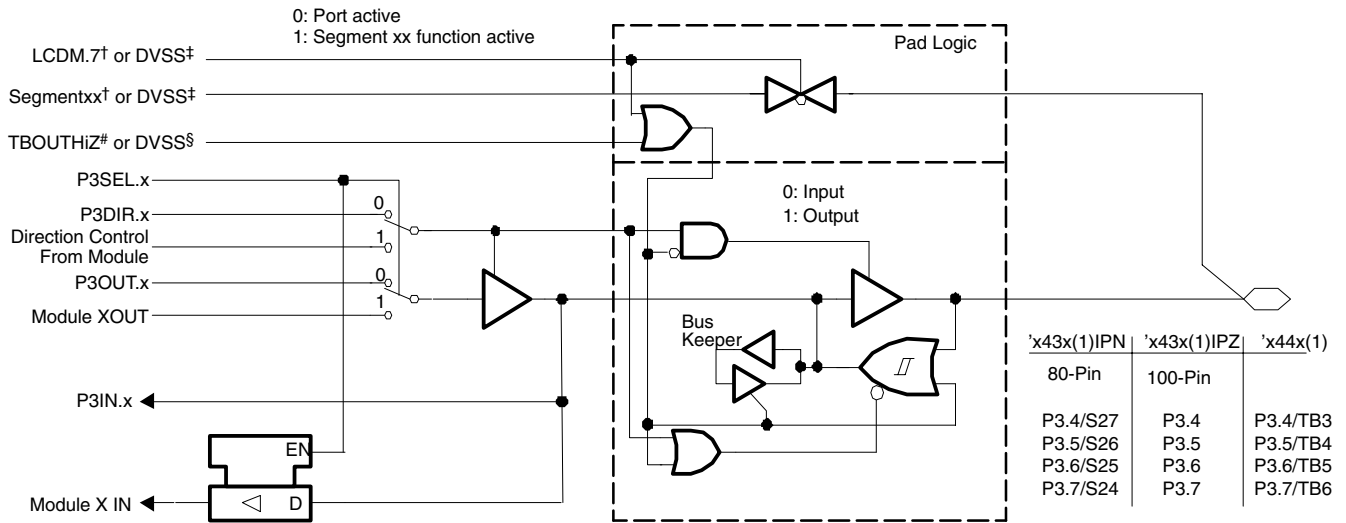
| PnSel.x | PnDIR.x | Direction Control From Module | PnOUT.x | Module X OUT | PnIN.x | Module X IN |
|---------|---------|-------------------------------|---------|------------------|--------|-------------|
| P3Sel.0 | P3DIR.0 | DV _{SS} | P3OUT.0 | DV _{SS} | P3IN.0 | STEO(in) |
| P3Sel.1 | P3DIR.1 | DCM_SIMO0 | P3OUT.1 | SIMO0(out) | P3IN.1 | SIMO0(in) |
| P3Sel.2 | P3DIR.2 | DCM_SOMI0 | P3OUT.2 | SOMI0(out) | P3IN.2 | SOMI0(in) |
| P3Sel.3 | P3DIR.3 | DCM_UCLK0 | P3OUT.3 | UCLK0(out) | P3IN.3 | UCLK0(in) |

† S24 to S31 shared with port function only at MSP430x43x(1)IPN (80-pin QFP)

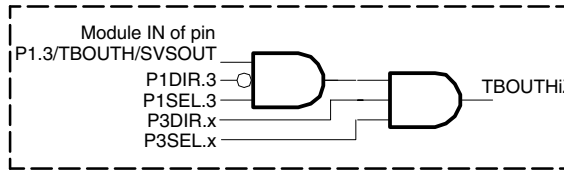


APPLICATION INFORMATION

port P3, P3.4 to P3.7, input/output with Schmitt trigger



Note: $4 \leq x \leq 7$



| PnSel.x | PnDIR.x | Dir. Control from module | PnOUT.x | Module X OUT | PnIN.x | Module X IN |
|---------|---------|--------------------------|---------|------------------|--------|----------------------|
| P3Sel.4 | P3DIR.4 | P3DIR.4 | P3OUT.4 | DVSS § OUT3 # | P3IN.4 | unused § CCI3A/B# |
| P3Sel.5 | P3DIR.5 | P3DIR.5 | P3OUT.5 | DVSS § OUT4 # | P3IN.5 | unused § CCI4A/B# |
| P3Sel.6 | P3DIR.6 | P3DIR.6 | P3OUT.6 | DVSS § OUT5 # | P3IN.6 | unused § CCI5A/B# |
| P3Sel.7 | P3DIR.7 | P3DIR.7 | P3OUT.7 | DVSS § OUT6 # | P3IN.7 | unused § CCI6A # |

† MSP430x43x(1)IPN

‡ MSP430x43x(1)IPZ, MSP430x44x(1)IPZ

§ MSP430x43x(1)

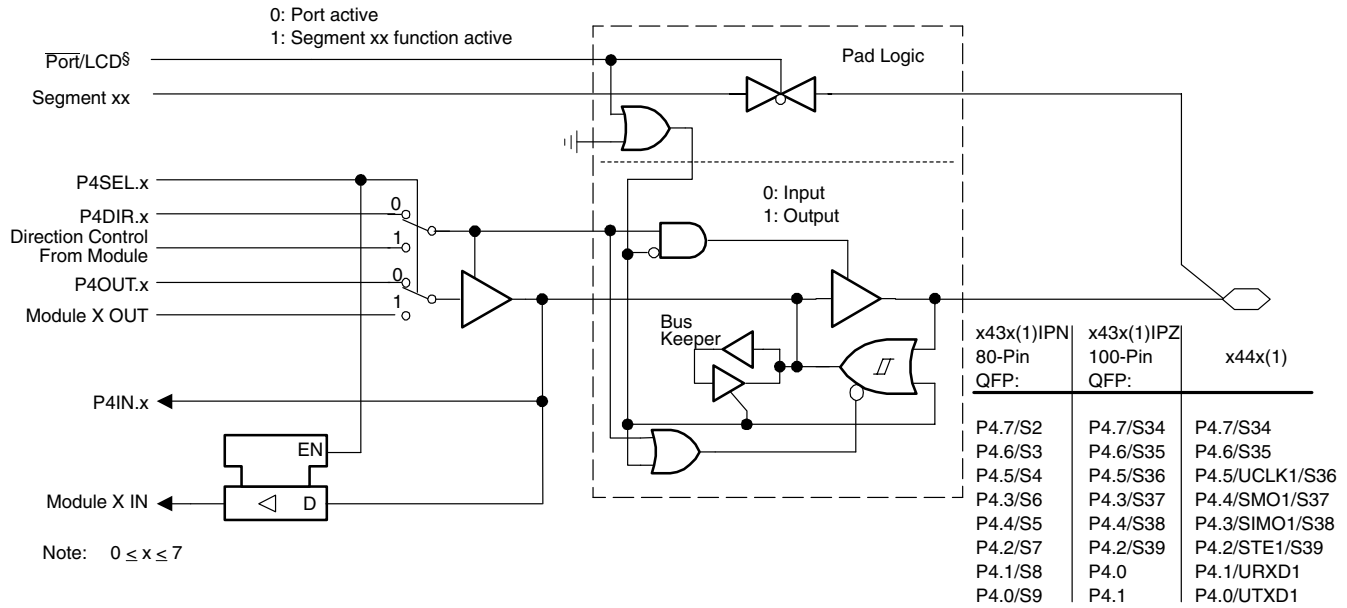
MSP430x44x(1)

MSP430x43x1, MSP430x43x, MSP430x44x1, MSP430x44x MIXED SIGNAL MICROCONTROLLER

SLAS344G – JANUARY 2002 – REVISED OCTOBER 2009

APPLICATION INFORMATION

port P4, P4.0 to P4.7, input/output with Schmitt trigger



Note: $0 \leq x \leq 7$

| PnSel.x | PnDir.x | Direction Control From Module | PnOut.x | Module X OUT | PnIn.x | Module X IN |
|---------|---------|------------------------------------------------|---------|----------------------------------------------|--------|-----------------------------------------------|
| P4Sel.0 | P4DIR.0 | P4DIR.0 [†] DVCC _‡ | P4OUT.0 | DVSS [†] UTXD1 [‡] | P4IN.0 | unused |
| P4Sel.1 | P4DIR.1 | P4DIR.1 [†] DVSS _‡ | P4OUT.1 | DVSS | P4IN.1 | unused [†] URXD1 [‡] |
| P4Sel.2 | P4DIR.2 | P4DIR.2 [†] DVSS _‡ | P4OUT.2 | DVSS | P4IN.2 | unused [†] STE1(in) [‡] |
| P4Sel.3 | P4DIR.3 | P4DIR3. [†] DCM_SIMO1 _‡ | P4OUT.3 | DVSS [†] SIMO1(out) [‡] | P4IN.3 | unused [†] SIMO1(in) [‡] |
| P4Sel.4 | P4DIR.4 | P4DIR4. [†] DCM_SOMI1 _‡ | P4OUT.4 | DVSS [†] SOMI1(out) [‡] | P4IN.4 | unused [†] SOMI1(in) [‡] |
| P4Sel.5 | P4DIR.5 | P4DIR5. [†] DCM_UCLK1 _‡ | P4OUT.5 | DVSS [†] UCLK1(out) [‡] | P4IN.5 | unused [†] UCLK1(in) [‡] |
| P4Sel.6 | P4DIR.6 | P4DIR.6 | P4OUT.6 | DVSS | P4IN.6 | unused |
| P4Sel.7 | P4DIR.7 | P4DIR.7 | P4OUT.7 | DVSS | P4IN.7 | unused |

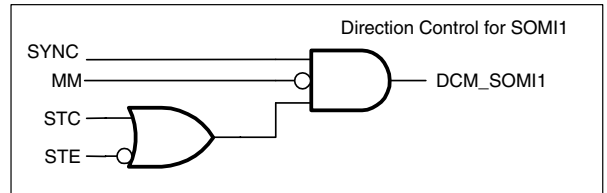
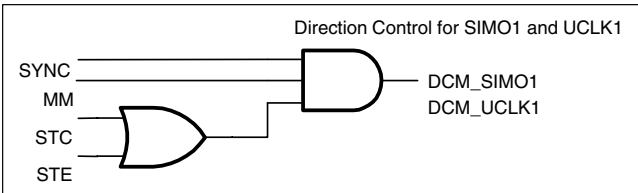
[†] Signal at MSP430x43x(1)

[‡] Signal at MSP430x44x(1)

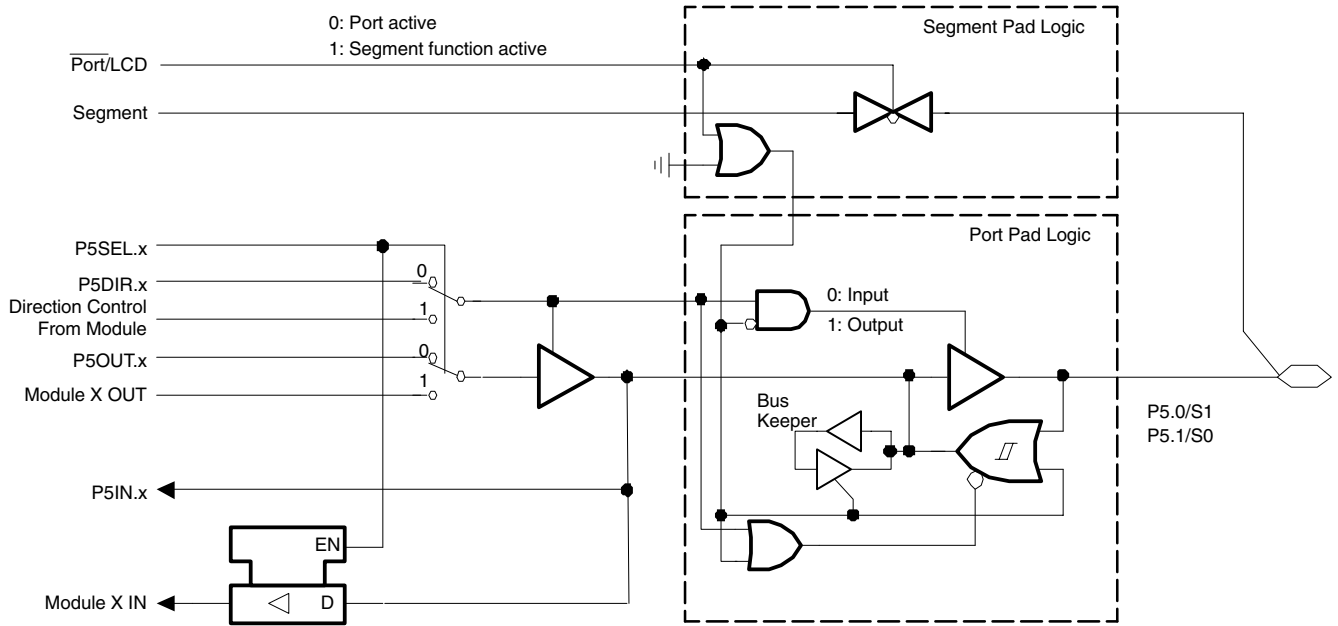
| DEVICE | PORT BITS | PORT FUNCTION | LCD SEG. FUNCTION |
|------------------------|-----------------|---------------|-------------------|
| x43x(1)IPN 80-pin QFP | P4.0 . . . P4.7 | LCDM < 020h | LCDM ≥ 020h |
| x43x(1)IPZ 100-pin QFP | P4.2 . . . P4.5 | LCDM < 0E0h | LCDM ≥ 0E0h |
| x44x(1)IPZ 100-pin QFP | P4.6 . . . P4.7 | LCDM < 0C0h | LCDM ≥ 0C0h |

APPLICATION INFORMATION

port P4, P4.0 to P4.7, input/output with Schmitt trigger (continued)



port P5, P5.0 to P5.1, input/output with Schmitt trigger



Note: $0 \leq x \leq 1$

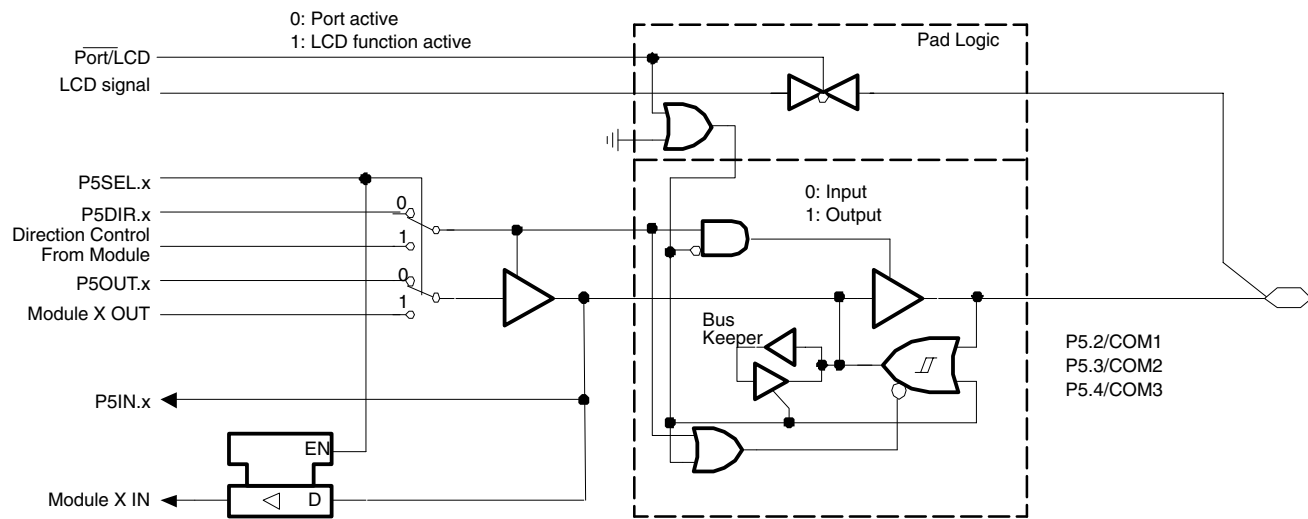
| PnSel.x | PnDIR.x | Dir. Control from module | PnOUT.x | Module X OUT | PnIN.x | Module X IN | Segment | Port/LCD |
|---------|---------|--------------------------|---------|------------------|--------|-------------|---------|-------------|
| P5Sel.0 | P5DIR.0 | P5DIR.0 | P5OUT.0 | DV _{SS} | P5IN.0 | unused | S1 | 0: LCDM<20h |
| P5Sel.1 | P5DIR.1 | P5DIR.1 | P5OUT.1 | DV _{SS} | P5IN.1 | unused | S0 | 0: LCDM<20h |

MSP430x43x1, MSP430x43x, MSP430x44x1, MSP430x44x MIXED SIGNAL MICROCONTROLLER

SLAS344G – JANUARY 2002 – REVISED OCTOBER 2009

APPLICATION INFORMATION

port P5, P5.2 to P5.4, input/output with Schmitt trigger

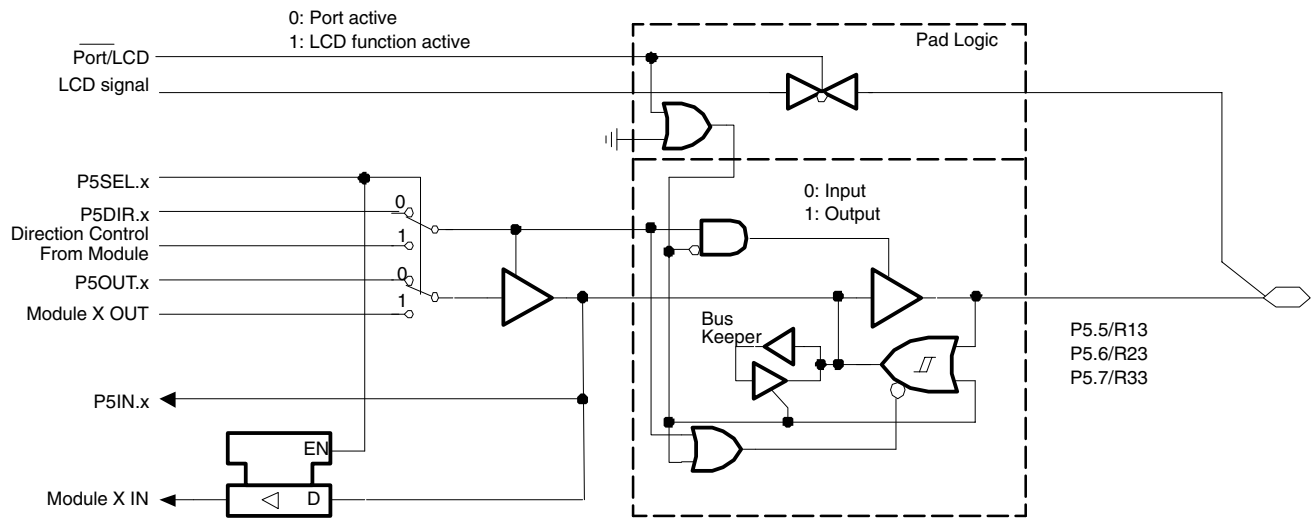


Note: $2 \leq x \leq 4$

| PnSel.x | PnDIR.x | Dir. Control from module | PnOUT.x | Module X OUT | PnIN.x | Module X IN | LCD signal | Port/LCD |
|---------|---------|--------------------------|---------|------------------|--------|-------------|------------|----------|
| P5Sel.2 | P5DIR.2 | P5DIR.2 | P5OUT.2 | DV _{SS} | P5IN.2 | unused | COM1 | P5SEL.2 |
| P5Sel.3 | P5DIR.3 | P5DIR.3 | P5OUT.3 | DV _{SS} | P5IN.3 | unused | COM2 | P5SEL.3 |
| P5Sel.4 | P5DIR.4 | P5DIR.4 | P5OUT.4 | DV _{SS} | P5IN.4 | unused | COM3 | P5SEL.4 |

APPLICATION INFORMATION

port P5, P5.5 to P5.7, input/output with Schmitt trigger



Note: $5 \leq x \leq 7$

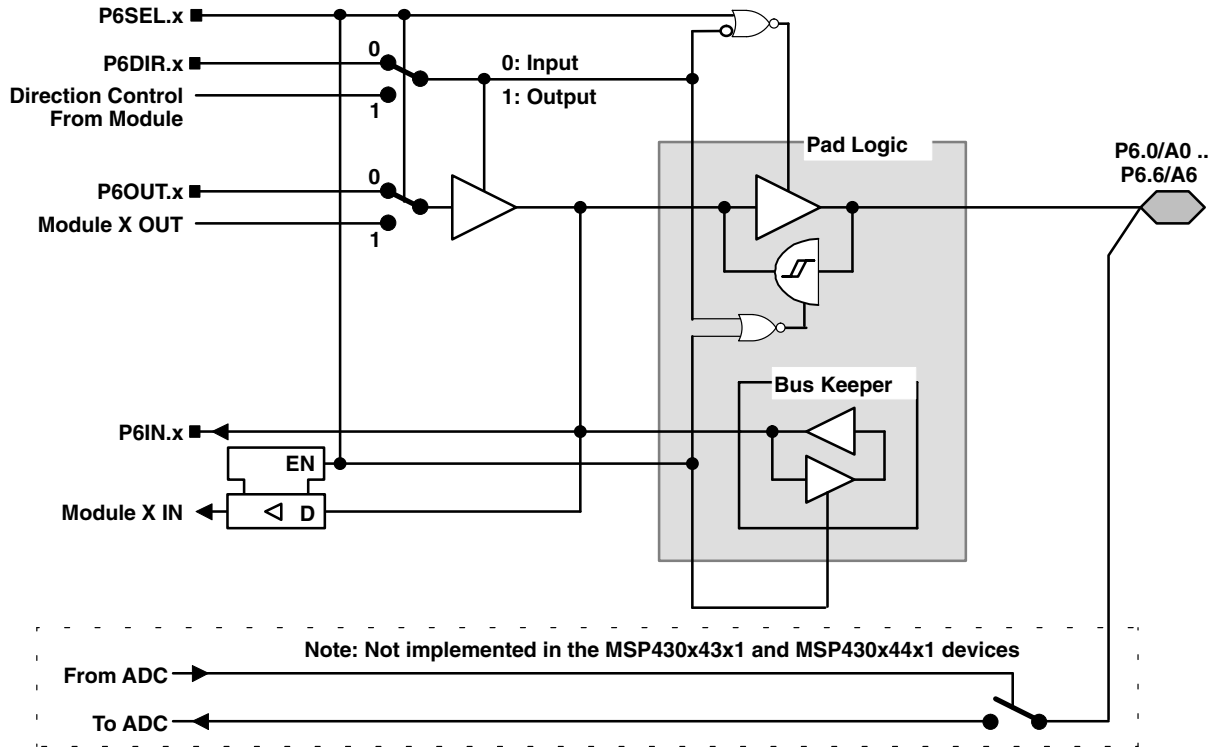
| PnSel.x | PnDIR.x | Dir. Control from module | PnOUT.x | Module X OUT | PnIN.x | Module X IN | LCD signal | Port/LCD |
|---------|---------|--------------------------|---------|------------------|--------|-------------|------------|----------|
| P5Sel.5 | P5DIR.5 | P5DIR.5 | P5OUT.5 | DV _{SS} | P5IN.5 | unused | R13 | P5SEL.5 |
| P5Sel.6 | P5DIR.6 | P5DIR.6 | P5OUT.6 | DV _{SS} | P5IN.6 | unused | R23 | P5SEL.6 |
| P5Sel.7 | P5DIR.7 | P5DIR.7 | P5OUT.7 | DV _{SS} | P5IN.7 | unused | R33 | P5SEL.7 |

MSP430x43x1, MSP430x43x, MSP430x44x1, MSP430x44x MIXED SIGNAL MICROCONTROLLER

SLAS344G – JANUARY 2002 – REVISED OCTOBER 2009

APPLICATION INFORMATION

port P6, P6.0 to P6.6, input/output with Schmitt trigger



x: Bit Identifier, 0 to 6 for Port P6

NOTE: Analog signals applied to digital gates can cause current flow from the positive to the negative terminal. The throughput current flows if the analog signal is in the range of transitions 0→1 or 1→0. The value of the throughput current depends on the driving capability of the gate. For MSP430, it is approximately 100 μA.

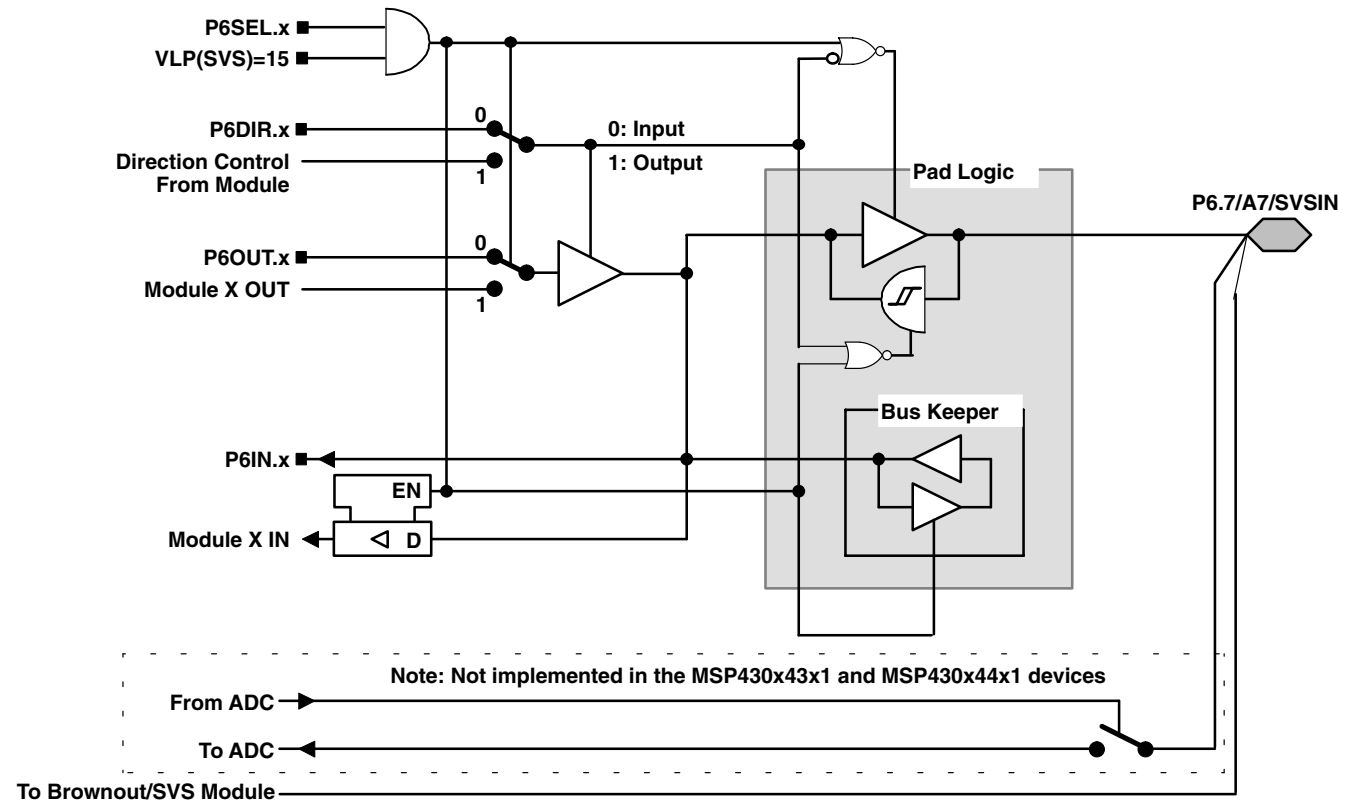
Use P6SEL.x=1 to prevent throughput current. P6SEL.x should be set, even if the signal at the pin is not being used by the ADC12.

| PnSel.x | PnDIR.x | Dir. Control From Module | PnOUT.x | Module X OUT | PnIN.x | Module X IN |
|---------|---------|--------------------------|---------|------------------|--------|-------------|
| P6Sel.0 | P6DIR.0 | P6DIR.0 | P6OUT.0 | DV _{SS} | P6IN.0 | unused |
| P6Sel.1 | P6DIR.1 | P6DIR.1 | P6OUT.1 | DV _{SS} | P6IN.1 | unused |
| P6Sel.2 | P6DIR.2 | P6DIR.2 | P6OUT.2 | DV _{SS} | P6IN.2 | unused |
| P6Sel.3 | P6DIR.3 | P6DIR.3 | P6OUT.3 | DV _{SS} | P6IN.3 | unused |
| P6Sel.4 | P6DIR.4 | P6DIR.4 | P6OUT.4 | DV _{SS} | P6IN.4 | unused |
| P6Sel.5 | P6DIR.5 | P6DIR.5 | P6OUT.5 | DV _{SS} | P6IN.5 | unused |
| P6Sel.6 | P6DIR.6 | P6DIR.6 | P6OUT.6 | DV _{SS} | P6IN.6 | unused |

NOTE: The signal at pins P6.x/Ax is used by the 12-bit ADC module.

APPLICATION INFORMATION

port P6, P6.7, input/output with Schmitt trigger



x: Bit Identifier, 7 for Port P6

NOTE: Analog signals applied to digital gates can cause current flow from the positive to the negative terminal. The throughput current flows if the analog signal is in the range of transitions 0→1 or 1→0. The value of the throughput current depends on the driving capability of the gate. For MSP430, it is approximately 100 μA.
Use P6SEL.x=1 to prevent throughput current. P6SEL.x should be set, even if the signal at the pin is not being used by the ADC12.

| PnSel.x | PnDIR.x | Dir. Control From Module | PnOUT.x | Module X OUT | PnIN.x | Module X IN |
|---------|---------|--------------------------|---------|------------------|--------|-------------|
| P6Sel.7 | P6DIR.7 | P6DIR.7 | P6OUT.7 | DV _{SS} | P6IN.7 | unused |

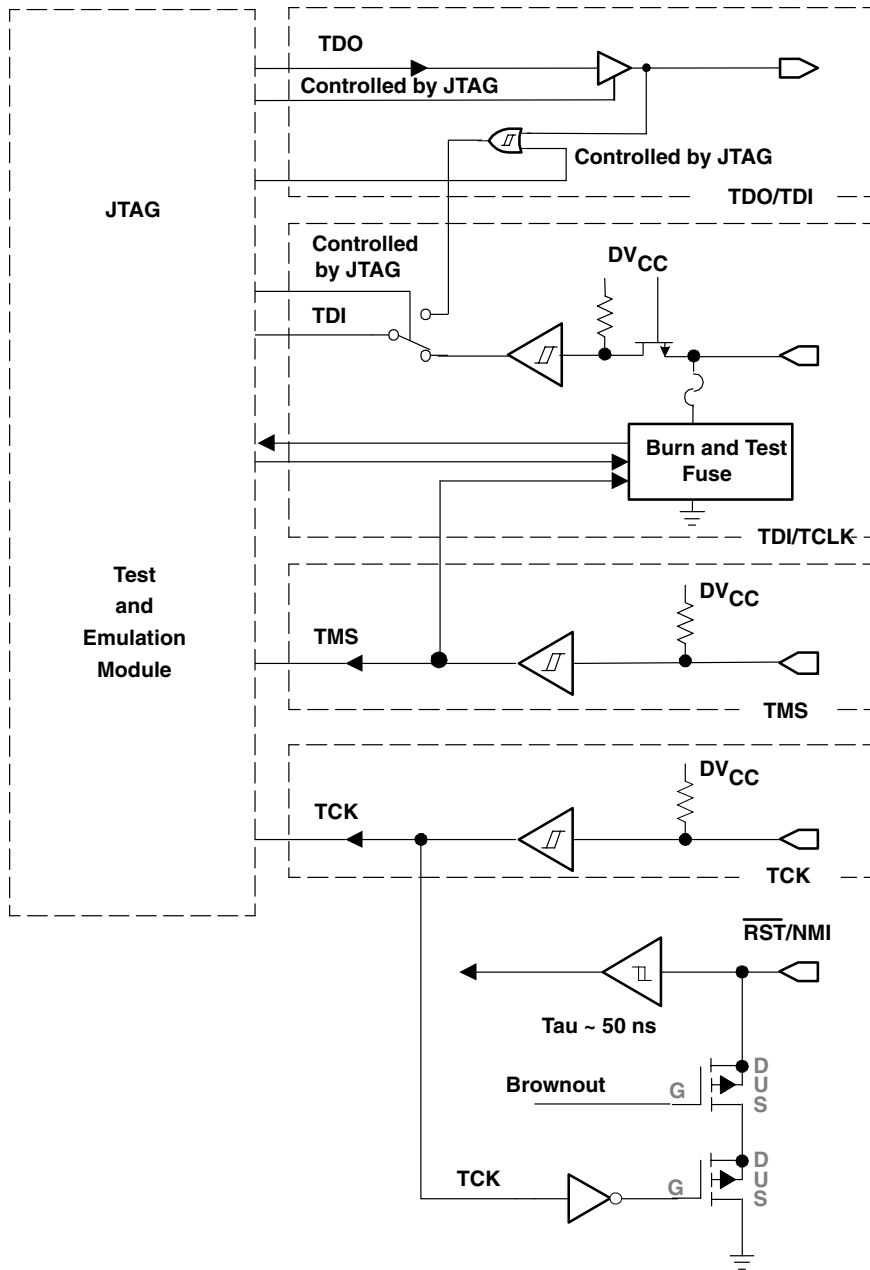
NOTE: The signal at pins P6.x/Ax is used by the 12-bit ADC module.
The signal at pin P6.7/A7/SVSIN is also connected to the input multiplexer in the module brownout/supply voltage supervisor.

MSP430x43x1, MSP430x43x, MSP430x44x1, MSP430x44x MIXED SIGNAL MICROCONTROLLER

SLAS344G – JANUARY 2002 – REVISED OCTOBER 2009

APPLICATION INFORMATION

JTAG pins TMS, TCK, TDI/TCLK, TDO/TDI, input/output with Schmitt trigger or output



APPLICATION INFORMATION

JTAG fuse check mode

MSP430 devices that have the fuse on the TDI/TCLK terminal have a fuse check mode that tests the continuity of the fuse the first time the JTAG port is accessed after a power-on reset (POR). When activated, a fuse check current ($I_{(TF)}$) of 1 mA at 3 V can flow from the TDI/TCLK pin to ground if the fuse is not burned. Care must be taken to avoid accidentally activating the fuse check mode and increasing overall system power consumption.

Activation of the fuse check mode occurs with the first negative edge on the TMS pin after power up or if the TMS is being held low during power up. The second positive edge on the TMS pin deactivates the fuse check mode. After deactivation, the fuse check mode remains inactive until another POR occurs. After each POR the fuse check mode has the potential to be activated.

The fuse check current only flows when the fuse check mode is active and the TMS pin is in a low state (see Figure 21). Therefore, the additional current flow can be prevented by holding the TMS pin high (default condition). The JTAG pins are terminated internally and therefore do not require external termination.

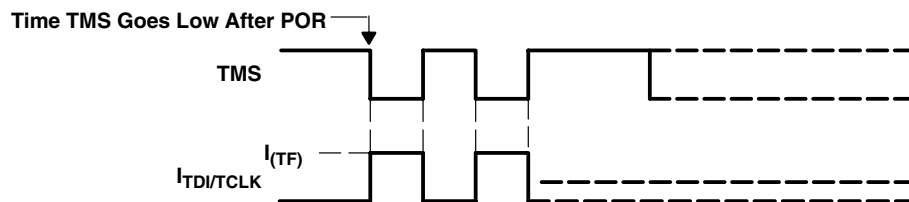


Figure 21. Fuse Check Mode Current MSP430x43x(1), MSP430x44x(1)

MSP430x43x1, MSP430x43x, MSP430x44x1, MSP430x44x MIXED SIGNAL MICROCONTROLLER

SLAS344G – JANUARY 2002 – REVISED OCTOBER 2009

Data Sheet Revision History

| Literature Number | Summary |
|-------------------|--------------------------------------------------------------------------------------------------------------------------------------------------------------------------------------------------------------------------------------------------------------------------------------------------------------------------------------------------------------------------------------------------------------------------------------------------------------------------------------------------------------------------------------|
| SLAS344E | Added MSP430F43x1 devices Updated functional block diagram (page 6) Clarified test conditions in recommended operating conditions table (page 27) Clarified test conditions in electrical characteristics table (page 28) Added Port 2 through Port 5 to leakage current table (page 29) Corrected y-axis unit on Figures 6 and 7; changed from V to mV (page 34) Clarified test conditions in USART0/USART1 table (page 40) Changed t_{CPT} maximum value from 4 ms to 10 ms in Flash memory table (page 46) |
| SLAS344F | Added MSP430F43x1 devices in PZ (100 pin) package |
| SLAS344G | Added MSP430F44x1 devices |

NOTE: Page and figure numbers refer to the respective document revision.



PACKAGING INFORMATION

| Orderable Device | Status ⁽¹⁾ | Package Type | Package Drawing | Pins | Package Qty | Eco Plan ⁽²⁾ | Lead/Ball Finish | MSL Peak Temp ⁽³⁾ |
|--------------------|-----------------------|--------------|-----------------|------|-------------|-------------------------|------------------|------------------------------|
| MSP430F4351IPN | ACTIVE | LQFP | PN | 80 | 119 | Green (RoHS & no Sb/Br) | CU NIPDAU | Level-3-260C-168 HR |
| MSP430F4351IPNR | ACTIVE | LQFP | PN | 80 | 1000 | Green (RoHS & no Sb/Br) | CU NIPDAU | Level-3-260C-168 HR |
| MSP430F4351IPZ | ACTIVE | LQFP | PZ | 100 | 90 | Green (RoHS & no Sb/Br) | CU NIPDAU | Level-3-260C-168 HR |
| MSP430F4351IPZR | ACTIVE | LQFP | PZ | 100 | 1000 | Green (RoHS & no Sb/Br) | CU NIPDAU | Level-3-260C-168 HR |
| MSP430F4351IPN | ACTIVE | LQFP | PN | 80 | 119 | Green (RoHS & no Sb/Br) | CU NIPDAU | Level-3-260C-168 HR |
| MSP430F4351IPNR | ACTIVE | LQFP | PN | 80 | 1000 | Green (RoHS & no Sb/Br) | CU NIPDAU | Level-3-260C-168 HR |
| MSP430F4351IPZ | ACTIVE | LQFP | PZ | 100 | 90 | Green (RoHS & no Sb/Br) | CU NIPDAU | Level-3-260C-168 HR |
| MSP430F4351IPZR | ACTIVE | LQFP | PZ | 100 | 1000 | Green (RoHS & no Sb/Br) | CU NIPDAU | Level-3-260C-168 HR |
| MSP430F4361IPN | ACTIVE | LQFP | PN | 80 | 119 | Green (RoHS & no Sb/Br) | CU NIPDAU | Level-3-260C-168 HR |
| MSP430F4361IPNR | ACTIVE | LQFP | PN | 80 | 1000 | Green (RoHS & no Sb/Br) | CU NIPDAU | Level-3-260C-168 HR |
| MSP430F4361IPNRKAM | ACTIVE | LQFP | PN | 80 | | Green (RoHS & no Sb/Br) | CU NIPDAU | Level-3-260C-168 HR |
| MSP430F4361IPZ | ACTIVE | LQFP | PZ | 100 | 90 | Green (RoHS & no Sb/Br) | CU NIPDAU | Level-3-260C-168 HR |
| MSP430F4361IPZR | ACTIVE | LQFP | PZ | 100 | 1000 | Green (RoHS & no Sb/Br) | CU NIPDAU | Level-3-260C-168 HR |
| MSP430F4361IPN | ACTIVE | LQFP | PN | 80 | 119 | Green (RoHS & no Sb/Br) | CU NIPDAU | Level-3-260C-168 HR |
| MSP430F4361IPNR | ACTIVE | LQFP | PN | 80 | 1000 | Green (RoHS & no Sb/Br) | CU NIPDAU | Level-3-260C-168 HR |
| MSP430F4361IPZ | ACTIVE | LQFP | PZ | 100 | 90 | Green (RoHS & no Sb/Br) | CU NIPDAU | Level-3-260C-168 HR |
| MSP430F4361IPZR | ACTIVE | LQFP | PZ | 100 | 1000 | Green (RoHS & no Sb/Br) | CU NIPDAU | Level-3-260C-168 HR |
| MSP430F4371IPN | ACTIVE | LQFP | PN | 80 | 119 | Green (RoHS & no Sb/Br) | CU NIPDAU | Level-3-260C-168 HR |
| MSP430F4371IPNR | ACTIVE | LQFP | PN | 80 | 1000 | Green (RoHS & no Sb/Br) | CU NIPDAU | Level-3-260C-168 HR |
| MSP430F4371IPZ | ACTIVE | LQFP | PZ | 100 | 90 | Green (RoHS & no Sb/Br) | CU NIPDAU | Level-3-260C-168 HR |
| MSP430F4371IPZR | ACTIVE | LQFP | PZ | 100 | 1000 | Green (RoHS & no Sb/Br) | CU NIPDAU | Level-3-260C-168 HR |
| MSP430F4371IPN | ACTIVE | LQFP | PN | 80 | 119 | Green (RoHS & no Sb/Br) | CU NIPDAU | Level-3-260C-168 HR |
| MSP430F4371IPNR | ACTIVE | LQFP | PN | 80 | 1000 | Green (RoHS & no Sb/Br) | CU NIPDAU | Level-3-260C-168 HR |
| MSP430F4371IPZ | ACTIVE | LQFP | PZ | 100 | 90 | Green (RoHS & no Sb/Br) | CU NIPDAU | Level-3-260C-168 HR |
| MSP430F4371IPZR | ACTIVE | LQFP | PZ | 100 | 1000 | Green (RoHS & no Sb/Br) | CU NIPDAU | Level-3-260C-168 HR |

| Orderable Device | Status ⁽¹⁾ | Package Type | Package Drawing | Pins | Package Qty | Eco Plan ⁽²⁾ | Lead/Ball Finish | MSL Peak Temp ⁽³⁾ |
|------------------|-----------------------|--------------|-----------------|------|-------------|-------------------------|------------------|------------------------------|
| MSP430F447IPZ | ACTIVE | LQFP | PZ | 100 | 90 | Green (RoHS & no Sb/Br) | CU NIPDAU | Level-3-260C-168 HR |
| MSP430F447IPZR | ACTIVE | LQFP | PZ | 100 | 1000 | Green (RoHS & no Sb/Br) | CU NIPDAU | Level-3-260C-168 HR |
| MSP430F4481IPZ | ACTIVE | LQFP | PZ | 100 | 90 | Green (RoHS & no Sb/Br) | CU NIPDAU | Level-3-260C-168 HR |
| MSP430F4481IPZR | ACTIVE | LQFP | PZ | 100 | 1000 | Green (RoHS & no Sb/Br) | CU NIPDAU | Level-3-260C-168 HR |
| MSP430F448IPZ | ACTIVE | LQFP | PZ | 100 | 90 | Green (RoHS & no Sb/Br) | CU NIPDAU | Level-3-260C-168 HR |
| MSP430F448IPZR | ACTIVE | LQFP | PZ | 100 | 1000 | Green (RoHS & no Sb/Br) | CU NIPDAU | Level-3-260C-168 HR |
| MSP430F4491IPZ | ACTIVE | LQFP | PZ | 100 | 90 | Green (RoHS & no Sb/Br) | CU NIPDAU | Level-3-260C-168 HR |
| MSP430F4491IPZR | ACTIVE | LQFP | PZ | 100 | 1000 | Green (RoHS & no Sb/Br) | CU NIPDAU | Level-3-260C-168 HR |
| MSP430F449IPZ | ACTIVE | LQFP | PZ | 100 | 90 | Green (RoHS & no Sb/Br) | CU NIPDAU | Level-3-260C-168 HR |
| MSP430F449IPZR | ACTIVE | LQFP | PZ | 100 | 1000 | Green (RoHS & no Sb/Br) | CU NIPDAU | Level-3-260C-168 HR |

⁽¹⁾ The marketing status values are defined as follows:

ACTIVE: Product device recommended for new designs.

LIFEBUY: TI has announced that the device will be discontinued, and a lifetime-buy period is in effect.

NRND: Not recommended for new designs. Device is in production to support existing customers, but TI does not recommend using this part in a new design.

PREVIEW: Device has been announced but is not in production. Samples may or may not be available.

OBSOLETE: TI has discontinued the production of the device.

⁽²⁾ Eco Plan - The planned eco-friendly classification: Pb-Free (RoHS), Pb-Free (RoHS Exempt), or Green (RoHS & no Sb/Br) - please check <http://www.ti.com/productcontent> for the latest availability information and additional product content details.

TBD: The Pb-Free/Green conversion plan has not been defined.

Pb-Free (RoHS): TI's terms "Lead-Free" or "Pb-Free" mean semiconductor products that are compatible with the current RoHS requirements for all 6 substances, including the requirement that lead not exceed 0.1% by weight in homogeneous materials. Where designed to be soldered at high temperatures, TI Pb-Free products are suitable for use in specified lead-free processes.

Pb-Free (RoHS Exempt): This component has a RoHS exemption for either 1) lead-based flip-chip solder bumps used between the die and package, or 2) lead-based die adhesive used between the die and leadframe. The component is otherwise considered Pb-Free (RoHS compatible) as defined above.

Green (RoHS & no Sb/Br): TI defines "Green" to mean Pb-Free (RoHS compatible), and free of Bromine (Br) and Antimony (Sb) based flame retardants (Br or Sb do not exceed 0.1% by weight in homogeneous material)

⁽³⁾ MSL, Peak Temp. -- The Moisture Sensitivity Level rating according to the JEDEC industry standard classifications, and peak solder temperature.

Important Information and Disclaimer: The information provided on this page represents TI's knowledge and belief as of the date that it is provided. TI bases its knowledge and belief on information provided by third parties, and makes no representation or warranty as to the accuracy of such information. Efforts are underway to better integrate information from third parties. TI has taken and continues to take reasonable steps to provide representative and accurate information but may not have conducted destructive testing or chemical analysis on incoming materials and chemicals. TI and TI suppliers consider certain information to be proprietary, and thus CAS numbers and other limited information may not be available for release.

In no event shall TI's liability arising out of such information exceed the total purchase price of the TI part(s) at issue in this document sold by TI to Customer on an annual basis.

TAPE AND REEL INFORMATION

REEL DIMENSIONS



TAPE DIMENSIONS



| | |
|----|-----------------------------------------------------------|
| A0 | Dimension designed to accommodate the component width |
| B0 | Dimension designed to accommodate the component length |
| K0 | Dimension designed to accommodate the component thickness |
| W | Overall width of the carrier tape |
| P1 | Pitch between successive cavity centers |

TAPE AND REEL INFORMATION

*All dimensions are nominal

| Device | Package Type | Package Drawing | Pins | SPQ | Reel Diameter (mm) | Reel Width W1 (mm) | A0 (mm) | B0 (mm) | K0 (mm) | P1 (mm) | W (mm) | Pin1 Quadrant |
|-----------------|--------------|-----------------|------|------|--------------------|--------------------|---------|---------|---------|---------|--------|---------------|
| MSP430F4471PZR | LQFP | PZ | 100 | 1000 | 330.0 | 24.4 | 17.4 | 17.4 | 2.0 | 20.0 | 24.0 | Q2 |
| MSP430F4481IPZR | LQFP | PZ | 100 | 1000 | 330.0 | 24.4 | 17.4 | 17.4 | 2.0 | 20.0 | 24.0 | Q2 |

TAPE AND REEL BOX DIMENSIONS

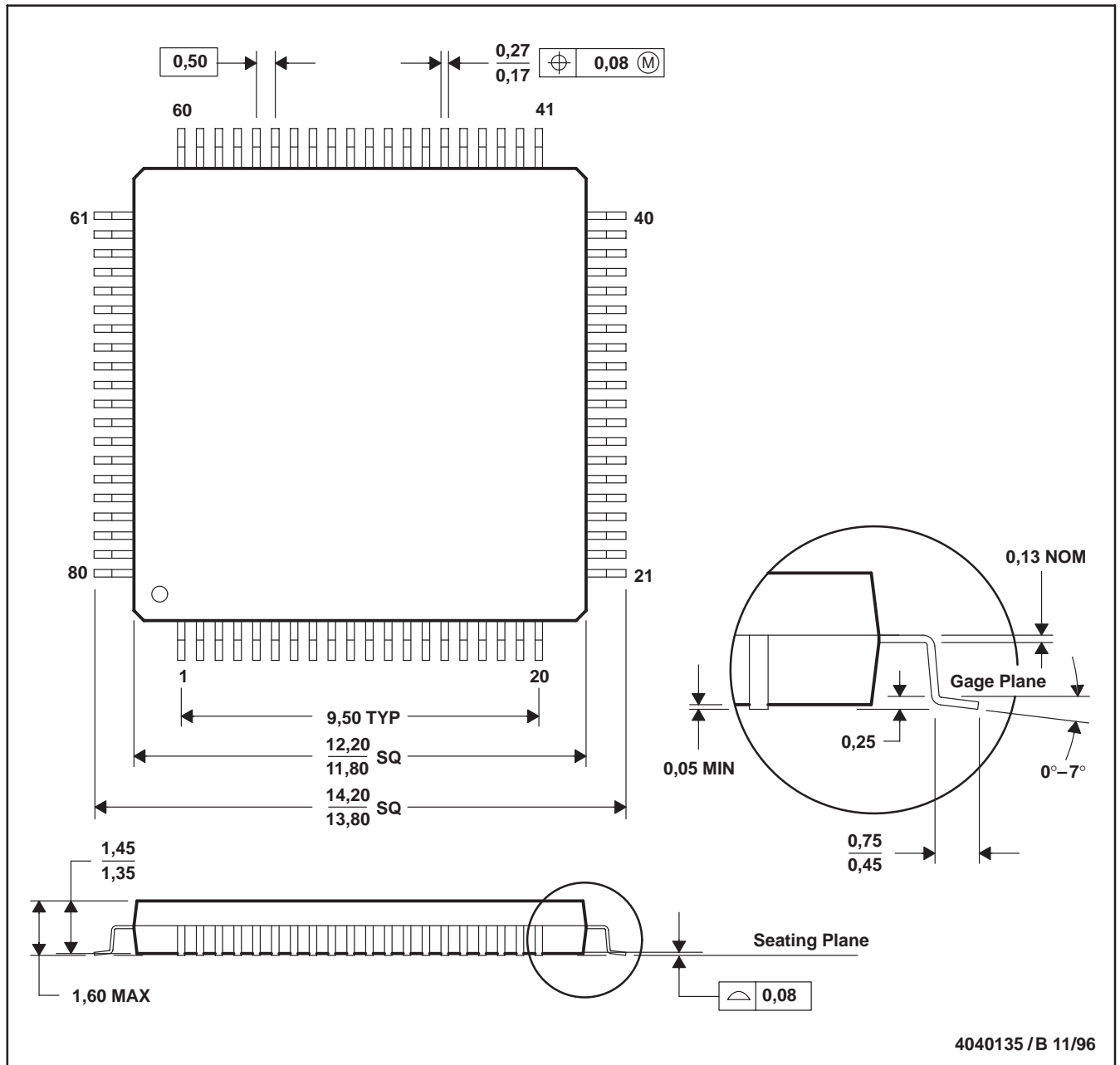


*All dimensions are nominal

| Device | Package Type | Package Drawing | Pins | SPQ | Length (mm) | Width (mm) | Height (mm) |
|-----------------|--------------|-----------------|------|------|-------------|------------|-------------|
| MSP430F447IPZR | LQFP | PZ | 100 | 1000 | 346.0 | 346.0 | 41.0 |
| MSP430F4481IPZR | LQFP | PZ | 100 | 1000 | 346.0 | 346.0 | 41.0 |

PN (S-PQFP-G80)

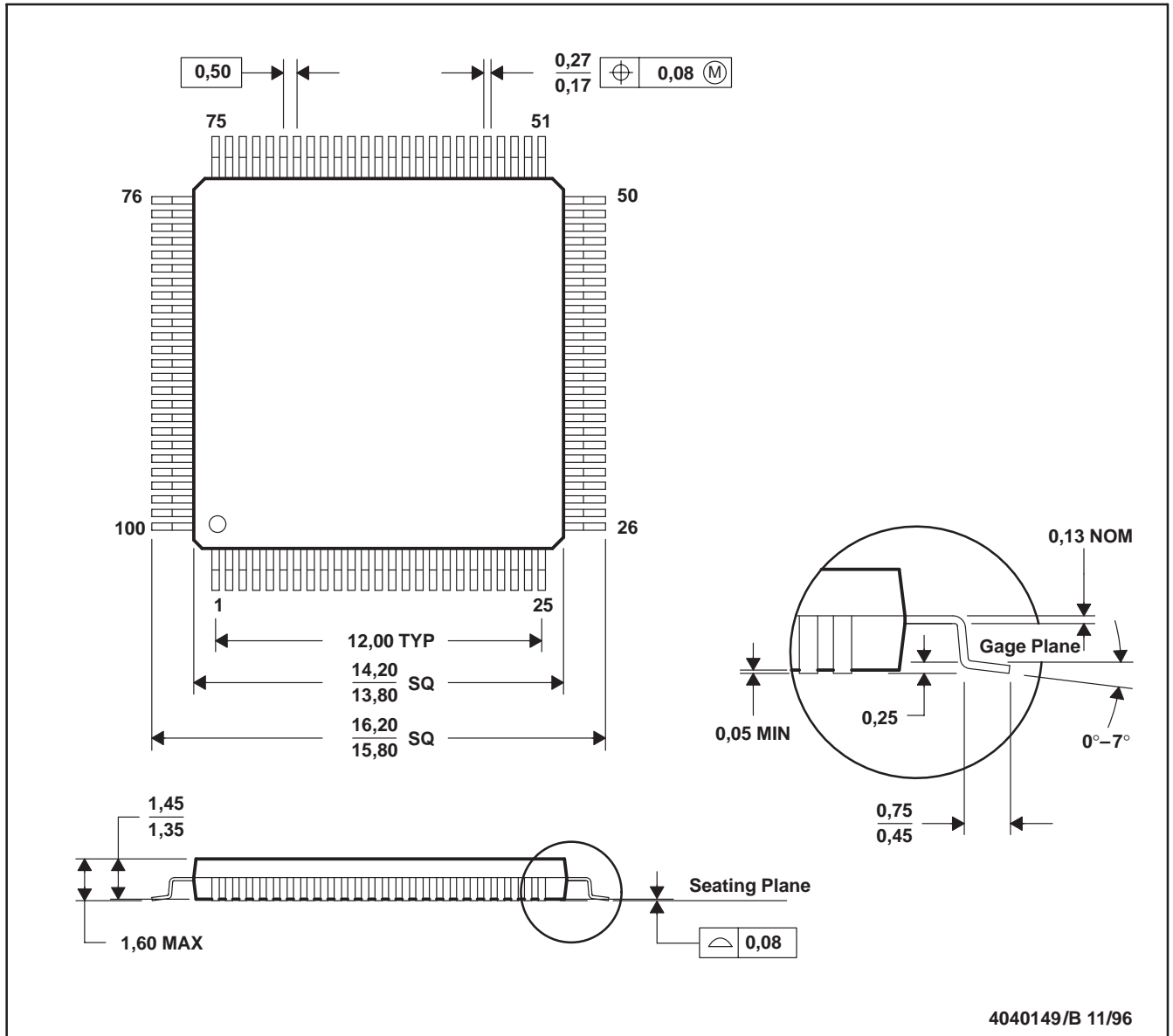
PLASTIC QUAD FLATPACK



- NOTES: A. All linear dimensions are in millimeters.
 B. This drawing is subject to change without notice.
 C. Falls within JEDEC MS-026

PZ (S-PQFP-G100)

PLASTIC QUAD FLATPACK



- NOTES: A. All linear dimensions are in millimeters.
 B. This drawing is subject to change without notice.
 C. Falls within JEDEC MS-026

IMPORTANT NOTICE

Texas Instruments Incorporated and its subsidiaries (TI) reserve the right to make corrections, modifications, enhancements, improvements, and other changes to its products and services at any time and to discontinue any product or service without notice. Customers should obtain the latest relevant information before placing orders and should verify that such information is current and complete. All products are sold subject to TI's terms and conditions of sale supplied at the time of order acknowledgment.

TI warrants performance of its hardware products to the specifications applicable at the time of sale in accordance with TI's standard warranty. Testing and other quality control techniques are used to the extent TI deems necessary to support this warranty. Except where mandated by government requirements, testing of all parameters of each product is not necessarily performed.

TI assumes no liability for applications assistance or customer product design. Customers are responsible for their products and applications using TI components. To minimize the risks associated with customer products and applications, customers should provide adequate design and operating safeguards.

TI does not warrant or represent that any license, either express or implied, is granted under any TI patent right, copyright, mask work right, or other TI intellectual property right relating to any combination, machine, or process in which TI products or services are used. Information published by TI regarding third-party products or services does not constitute a license from TI to use such products or services or a warranty or endorsement thereof. Use of such information may require a license from a third party under the patents or other intellectual property of the third party, or a license from TI under the patents or other intellectual property of TI.

Reproduction of TI information in TI data books or data sheets is permissible only if reproduction is without alteration and is accompanied by all associated warranties, conditions, limitations, and notices. Reproduction of this information with alteration is an unfair and deceptive business practice. TI is not responsible or liable for such altered documentation. Information of third parties may be subject to additional restrictions.

Resale of TI products or services with statements different from or beyond the parameters stated by TI for that product or service voids all express and any implied warranties for the associated TI product or service and is an unfair and deceptive business practice. TI is not responsible or liable for any such statements.

TI products are not authorized for use in safety-critical applications (such as life support) where a failure of the TI product would reasonably be expected to cause severe personal injury or death, unless officers of the parties have executed an agreement specifically governing such use. Buyers represent that they have all necessary expertise in the safety and regulatory ramifications of their applications, and acknowledge and agree that they are solely responsible for all legal, regulatory and safety-related requirements concerning their products and any use of TI products in such safety-critical applications, notwithstanding any applications-related information or support that may be provided by TI. Further, Buyers must fully indemnify TI and its representatives against any damages arising out of the use of TI products in such safety-critical applications.

TI products are neither designed nor intended for use in military/aerospace applications or environments unless the TI products are specifically designated by TI as military-grade or "enhanced plastic." Only products designated by TI as military-grade meet military specifications. Buyers acknowledge and agree that any such use of TI products which TI has not designated as military-grade is solely at the Buyer's risk, and that they are solely responsible for compliance with all legal and regulatory requirements in connection with such use.

TI products are neither designed nor intended for use in automotive applications or environments unless the specific TI products are designated by TI as compliant with ISO/TS 16949 requirements. Buyers acknowledge and agree that, if they use any non-designated products in automotive applications, TI will not be responsible for any failure to meet such requirements.

Following are URLs where you can obtain information on other Texas Instruments products and application solutions:

Products

| | |
|------------------------|--------------------------------------------------------------------------------------|
| Audio | www.ti.com/audio |
| Amplifiers | amplifier.ti.com |
| Data Converters | dataconverter.ti.com |
| DLP® Products | www.dlp.com |
| DSP | dsp.ti.com |
| Clocks and Timers | www.ti.com/clocks |
| Interface | interface.ti.com |
| Logic | logic.ti.com |
| Power Mgmt | power.ti.com |
| Microcontrollers | microcontroller.ti.com |
| RFID | www.ti-rfid.com |
| OMAP Mobile Processors | www.ti.com/omap |
| Wireless Connectivity | www.ti.com/wirelessconnectivity |

Applications

| | |
|-------------------------------|------------------------------------------------------------------------------------------|
| Communications and Telecom | www.ti.com/communications |
| Computers and Peripherals | www.ti.com/computers |
| Consumer Electronics | www.ti.com/consumer-apps |
| Energy and Lighting | www.ti.com/energy |
| Industrial | www.ti.com/industrial |
| Medical | www.ti.com/medical |
| Security | www.ti.com/security |
| Space, Avionics and Defense | www.ti.com/space-avionics-defense |
| Transportation and Automotive | www.ti.com/automotive |
| Video and Imaging | www.ti.com/video |

TI E2E Community Home Page

e2e.ti.com

Mailing Address: Texas Instruments, Post Office Box 655303, Dallas, Texas 75265
Copyright © 2011, Texas Instruments Incorporated

www.BDTIC.com/TI