

THS14F01, THS14F03
14-BIT, 1 MSPS/ 3 MSPS, DSP COMPATIBLE, ANALOG-TO-DIGITAL CONVERTERS
WITH FIFO INTERNAL REFERENCE AND PGA

SLAS285 – JUNE 2000

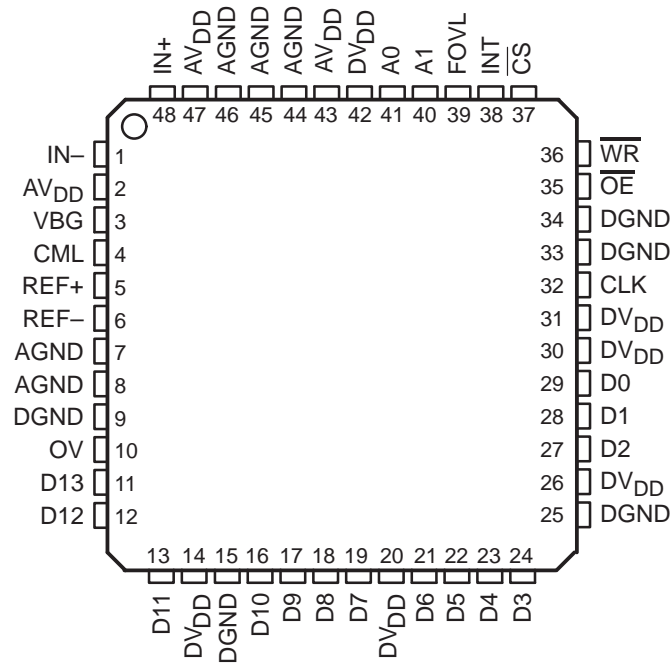
features

- 14-Bit Resolution
- 1 MSPS and 3 MSPS Speed Grades Available
- On-Chip FIFO For Optimized Data Transfer
- Differential Nonlinearity (DNL) ± 0.6 LSB Typ
- Integral Nonlinearity (INL) ± 1.5 LSB Typ
- Internal Reference
- Differential Inputs
- Programmable Gain Amplifier
- μ P Compatible Parallel Interface
- Timing Compatible With TI 6000 DSP Family
- 3.3-V Single Supply
- Power-Down Mode
- Monolithic CMOS Design

applications

- xDSL Front Ends
- Communication
- Industrial Control
- Instrumentation
- Automotive

PFB PACKAGE
(TOP VIEW)



NC – No internal connection



Please be aware that an important notice concerning availability, standard warranty, and use in critical applications of Texas Instruments semiconductor products and disclaimers thereto appears at the end of this data sheet.

PRODUCTION DATA information is current as of publication date. Products conform to specifications per the terms of Texas Instruments standard warranty. Production processing does not necessarily include testing of all parameters.

Copyright © 2000, Texas Instruments Incorporated

THS14F01, THS14F03

14-BIT, 1 MSPS/ 3 MSPS, DSP COMPATIBLE, ANALOG-TO-DIGITAL CONVERTERS WITH FIFO INTERNAL REFERENCE AND PGA

SLAS285 – JUNE 2000

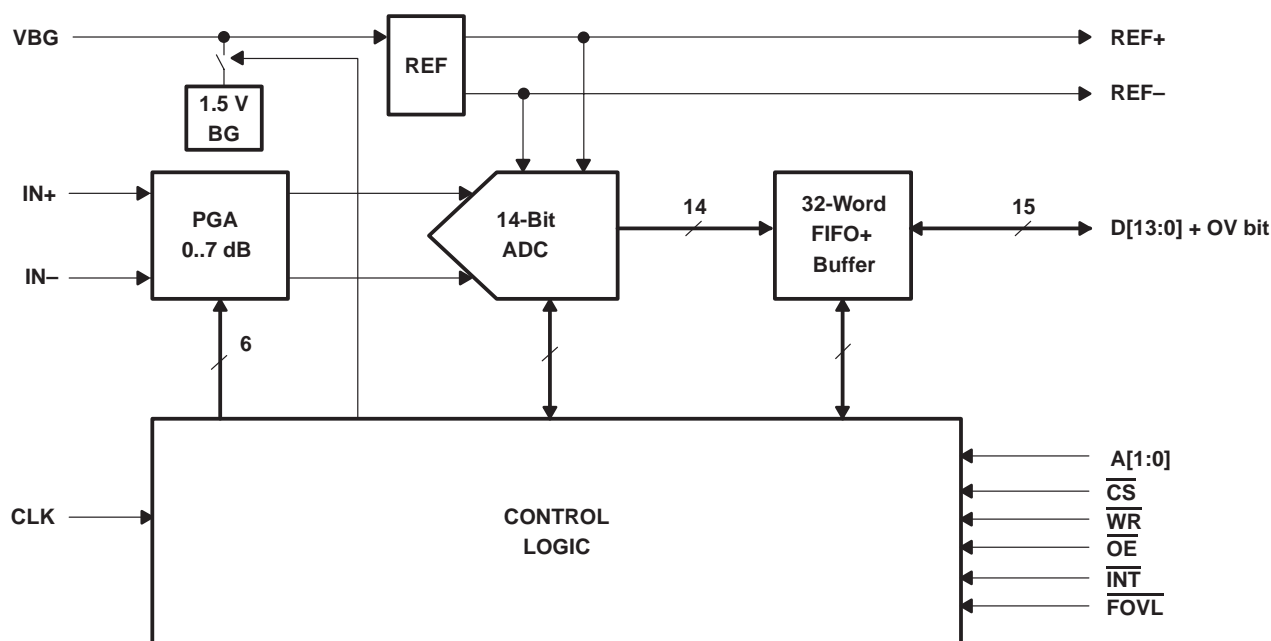
description

The THS14F01 and THS14F03 are 14-bit, 1 MSPS/ 3 MSPS, single supply analog-to-digital converters with a FIFO, internal reference, differential inputs, programmable input gain, and an on-chip sample and hold amplifier.

Implemented with a CMOS process, the device has outstanding price/performance and power/speed ratios. The THS14F01 and THS14F03 are designed for use with 3.3-V systems, and with a high-speed μ P compatible parallel interface, making them the first choice for solutions based on high-performance DSPs like the TI TMS320C6000 series.

The THS14F01 and THS14F03 are available in a TQFP-48 package in standard commercial and industrial temperature ranges.

functional block diagram



AVAILABLE OPTIONS

T _A	PACKAGED DEVICE
	TQFP (PFB)
0°C to 70°C	THS14F01CPFB, THS14F03CPFB
-40°C to 85°C	THS14F01IPFB, THS14F03IPFB

THS14F01, THS14F03
**14-BIT, 1 MSPS/ 3 MSPS, DSP COMPATIBLE, ANALOG-TO-DIGITAL CONVERTERS
 WITH FIFO INTERNAL REFERENCE AND PGA**

SLAS285 – JUNE 2000

Terminal Functions

TERMINAL		I/O	DESCRIPTION
NAME	NO.		
A[1:0]	40, 41	I	Address input
AGND	7, 8, 44, 45, 46	P	Analog ground
AV _{DD}	2, 43, 47	P	Analog power supply
CLK	32	I	Clock input
CML	4		Reference midpoint. This pin requires a 0.1- μ F capacitor to AGND.
$\overline{\text{CS}}$	37	I	Chip select input. Active low
DGND	9, 15, 25, 33, 34	P	Digital ground
DV _{DD}	14, 20, 26, 30, 31, 42	P	Digital power supply
D[13:0]	11, 12, 13, 16, 17, 18, 19, 21, 22, 23, 24, 27, 28, 29	I/O	Data inputs/outputs
FOVL	39	O	FIFO Overflow. Asserted when FIFO is full. Programmable polarity
IN+	48	I	Positive differential analog input
IN-	1	I	Negative differential analog input
INT	38	O	Interrupt output. Asserted when FIFO trigger level is reached. Programmable polarity
$\overline{\text{OE}}$	35	I	Output enable. Active low
OV	10	O	Out of range output
REF+	5	O	Positive reference output. This pin requires a 0.1- μ F capacitor to AGND.
REF-	6	O	Negative reference output. This pin requires a 0.1- μ F capacitor to AGND.
VBG	3	I	Reference input. This pin requires a 1- μ F capacitor to AGND.
$\overline{\text{WR}}$	36	I	Write signal. Active low

absolute maximum ratings over operating free-air temperature (unless otherwise noted)[†]

Supply voltage, (AV _{DD} to AGND)	4V
Supply voltage, (DV _{DD} to DGND)	4V
Reference input voltage range, VBG	- 0.3 V to AV _{DD} + 0.3 V
Analog input voltage range	- 0.3 V to AV _{DD} + 0.3 V
Digital input voltage range	- 0.3 V to DV _{DD} + 0.3 V
Operating free-air temperature range, T _A : C suffix	0°C to 70°C
I suffix	-40°C to 85°C
Storage temperature range, T _{stg}	-65°C to 150°C
Lead temperature 1.6 mm (1/16 inch) from case for 10 seconds	260°C

[†] Stresses beyond those listed under “absolute maximum ratings” may cause permanent damage to the device. These are stress ratings only, and functional operation of the device at these or any other conditions beyond those indicated under “recommended operating conditions” is not implied. Exposure to absolute-maximum-rated conditions for extended periods may affect device reliability.

THS14F01, THS14F03
14-BIT, 1 MSPS/ 3 MSPS, DSP COMPATIBLE, ANALOG-TO-DIGITAL CONVERTERS
WITH FIFO INTERNAL REFERENCE AND PGA

SLAS285 – JUNE 2000

recommended operating conditions

		MIN	NOM	MAX	UNIT
Supply voltage, AV _{DD} , DV _{DD}		3	3.3	3.6	V
High level digital input, V _{IH}		2	3.3		V
Low level digital input, V _{IL}			0	0.8	V
Load capacitance, C _L			5	15	pF
Clock frequency, f _{CLK}	THS14F01	0.1	1	1	MHz
	THS14F03	0.1	3	3	MHz
Clock duty cycle		40%	50%	60%	
Operating free-air temperature	C suffix	0	25	70	°C
	I suffix	-40	25	85	

electrical characteristics over recommended operating conditions

PARAMETER		TEST CONDITIONS	MIN	TYP	MAX	UNIT
Power Supply						
I _{DDA}	Analog supply current			81	90	mA
I _{DDD}	Digital supply current			5	10	mA
Power				270	360	mW
Power down current				20		µA
DC Characteristics†						
Resolution				14		Bits
DNL	Differential nonlinearity			±0.6	±1	LSB
INL	Integral nonlinearity	THS14F01	Best fit	±1.5	±2.5	LSB
		THS14F03		±1.5	±2.5	
Offset error		IN+ = IN-, PGA = 0 dB			0.3	%FSR
Gain error		PGA = 0 dB			1	%FSR
AC Characteristics†						
ENOB	Effective number of bits		11.2	11.5		Bits
THD	Total harmonic distortion	THS14F01/3	f _i = 100 kHz		-81	dB
		THS14F03	f _i = 1 MHz		-78	
SNR	Signal-to-noise ratio	THS14F01/3	f _i = 100 kHz		72	dB
		THS14F03	f _i = 1 MHz	70	72	
SINAD	Signal-to-noise ratio + distortion	THS14F01/3	f _i = 100 kHz		70	dB
		THS14F03	f _i = 1 MHz	69	70	
SFDR	Spurious free dynamic range	THS14F01/3	f _i = 100 kHz		80	dB
		THS14F03	f _i = 1 MHz	73	80	
Analog input bandwidth					140	MHz

† FIFO trigger level = 10 samples. Performance is ensured with the output enable signal (OE) being low during no more than one rising clock edge on CLK.

THS14F01, THS14F03
14-BIT, 1 MSPS/ 3 MSPS, DSP COMPATIBLE, ANALOG-TO-DIGITAL CONVERTERS
WITH FIFO INTERNAL REFERENCE AND PGA

SLAS285 – JUNE 2000

electrical characteristics (continued)

PARAMETER		TEST CONDITIONS	MIN	TYP	MAX	UNIT
Reference Voltage						
V _{BG}	Bandgap voltage, internal mode		1.425	1.5	1.575	V
	Input impedance			40		k Ω
	Positive reference voltage, REF+			2.5		V
	Negative reference voltage, REF-			0.5		V
	Reference difference, Δ REF, REF+ – REF-			2		V
	Accuracy, internal reference			5%		
	Temperature coefficient			40		ppm/ $^{\circ}$ C
	Voltage coefficient			200		ppm/V
Analog Inputs						
	Positive analog input, IN+		0	AV _{DD}		V
	Negative analog input, IN-		0	AV _{DD}		V
	Analog input voltage difference	Δ Ain = IN+ – IN-, V _{ref} = REF+ – REF-	-V _{ref}		V _{ref}	V
	Input impedance			25		k Ω
	PGA range		0		7	dB
	PGA step size			1		dB
	PGA gain error				\pm 0.25	dB
Digital Inputs						
V _{IH}	High-level digital input		2			V
V _{IL}	Low-level digital input				0.8	V
	Input capacitance			5		pF
	Input current				\pm 1	μ A
Digital Outputs						
V _{OH}	High-level digital output	I _{OH} = 50 μ A	2.6			V
V _{OL}	Low-level digital output	I _{OL} = 50 μ A			0.4	V
I _{OZ}	Output current, high impedance				\pm 10	μ A
Clock Timing (CS low)						
f _{CLK}	Clock frequency	THS14F01	0.1	1	1	MHz
		THS14F03	0.1	3	3	MHz
t _d	Output delay time				25	ns
	Latency				9.5	Cycles

PARAMETER MEASUREMENT INFORMATION

sample timing

The THS14F01/3 core is based on a pipeline architecture with a latency of 9.5 samples. The conversion results are stored in the FIFO 9.5 clock cycles after the input signal was sampled.

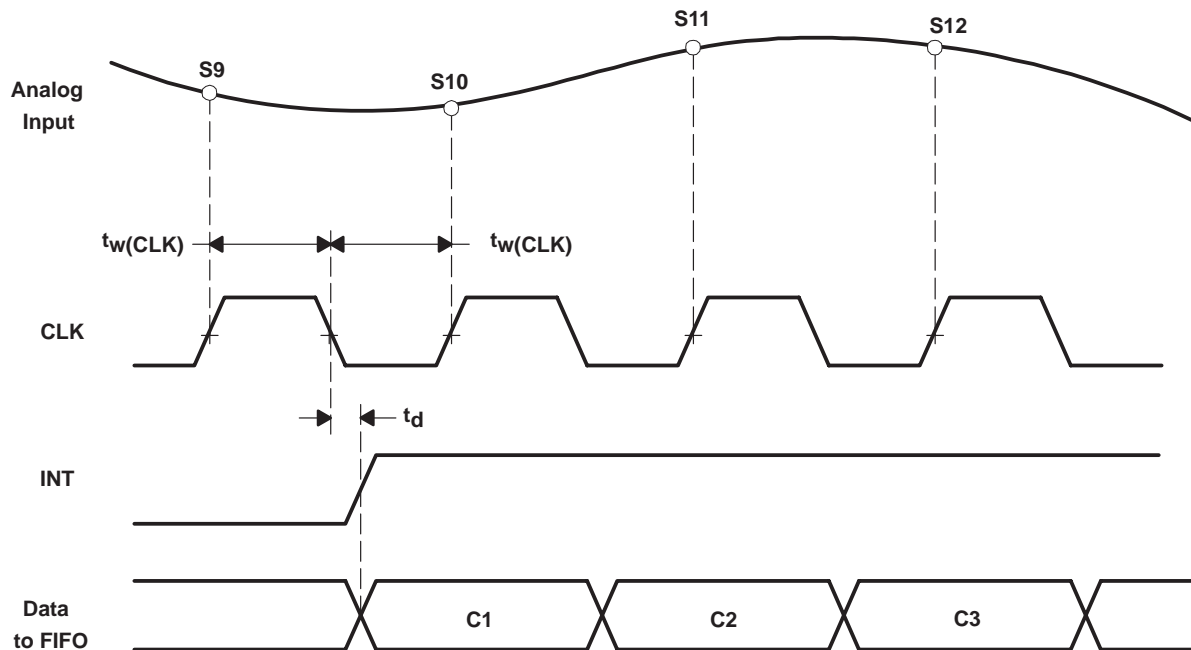


Figure 1. Sample Timing

INT goes active if the programmed FIFO level is reached. INT is either low or high active depending on the polarity bit (IP) within the control word. This signal is set synchronously to the CLK signal. It is reset by a read access to the FIFO once the number of samples in the FIFO is below the programmed threshold level.

PARAMETER MEASUREMENT INFORMATION

The parallel interface of the THS14F01/3 ADC features 3-state buffers making it possible to directly connect it to a data bus. The output buffers are enabled by driving the OE input low.

Besides the sample results, it is also possible to read back the values of the control register, the PGA register, and the control register. Which register is read is determined by the address inputs A[1,0]. The ADC results are available at address 0.

The timing of the control signals is described in the following sections.

The FIFO can be disabled by setting FC to 0 (FIFO reset, default at power on). This makes it possible to access the device synchronously.

In this case the data is updated on every clock cycle.

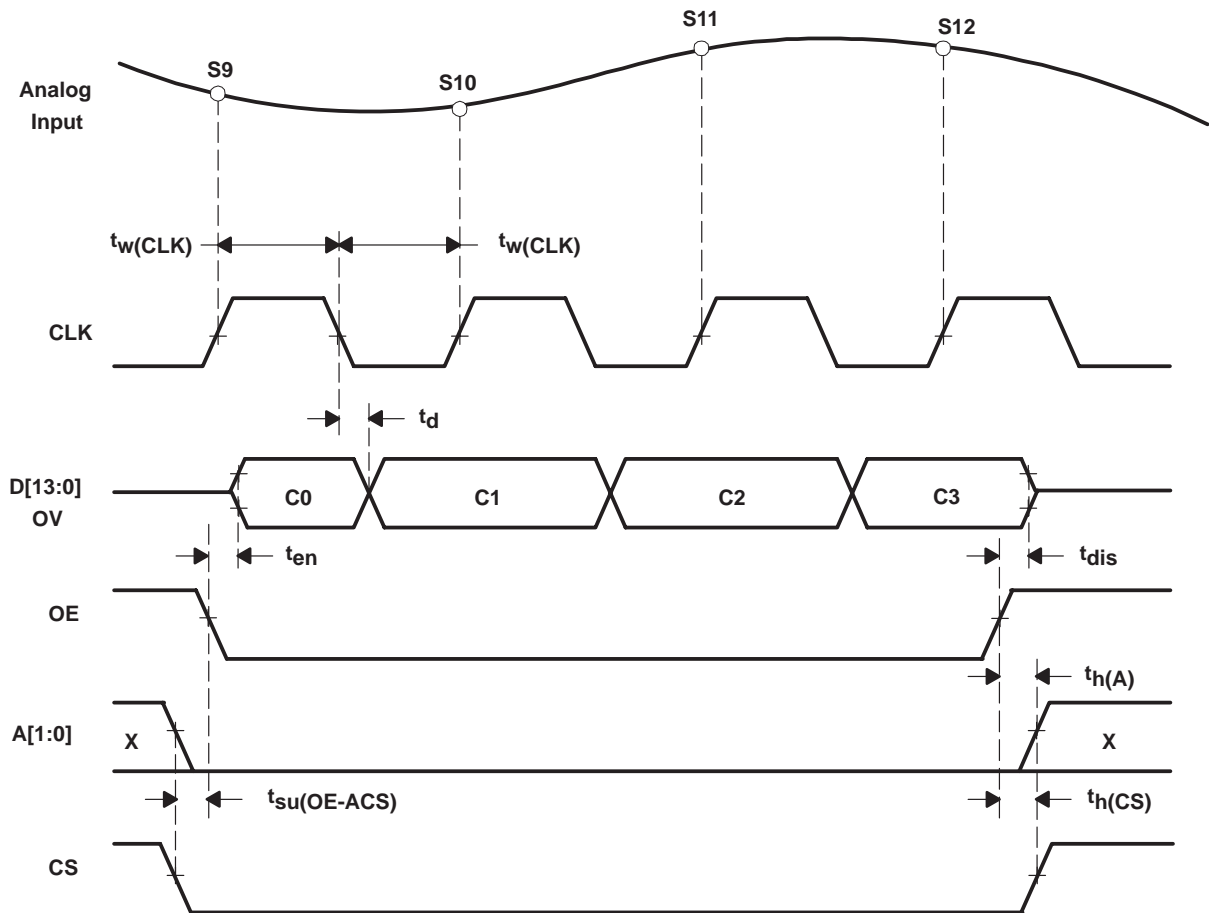


Figure 2. Sample Timing

THS14F01, THS14F03
14-BIT, 1 MSPS/ 3 MSPS, DSP COMPATIBLE, ANALOG-TO-DIGITAL CONVERTERS
WITH FIFO INTERNAL REFERENCE AND PGA

SLAS285 – JUNE 2000

PARAMETER MEASUREMENT INFORMATION

read timing (15-pF load)

PARAMETER		MIN	TYP	MAX	UNIT
$t_{su}(OE-ACS)$	Address and chip select setup time	4			ns
t_{en}	Output enable			15	ns
t_{dis}	Output disable			10	ns
$t_{h(A)}$	Address hold time	1		15	ns
$t_{h}(CS)$	Chip select hold time	0			ns

NOTE: All timing parameters refer to a 50% level.

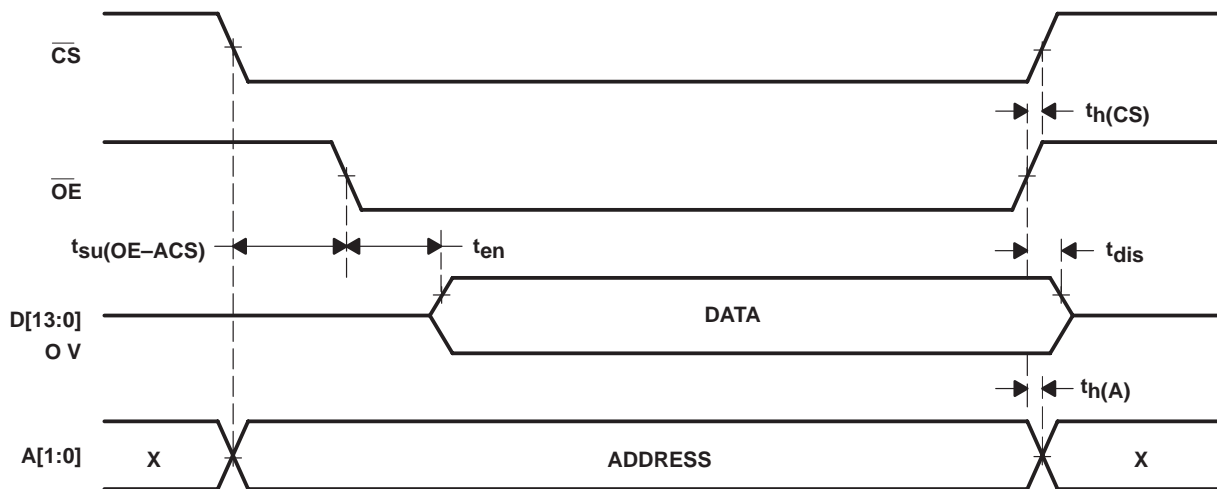


Figure 3. Read Timing

PARAMETER MEASUREMENT INFORMATION

write timing (15-pF load)

PARAMETER		MIN	TYP	MAX	UNIT
$t_{su}(WE-CS)$	Chip select setup time	4			ns
$t_{su}(DA)$	Data and address setup time	29			ns
$t_h(DA)$	Data and address hold time	0			ns
$t_h(CS)$	Chip select hold time	0			ns
$t_{wH}(WE)$	Write pulse duration high	15			ns

NOTE: All timing parameters refer to a 50% level.

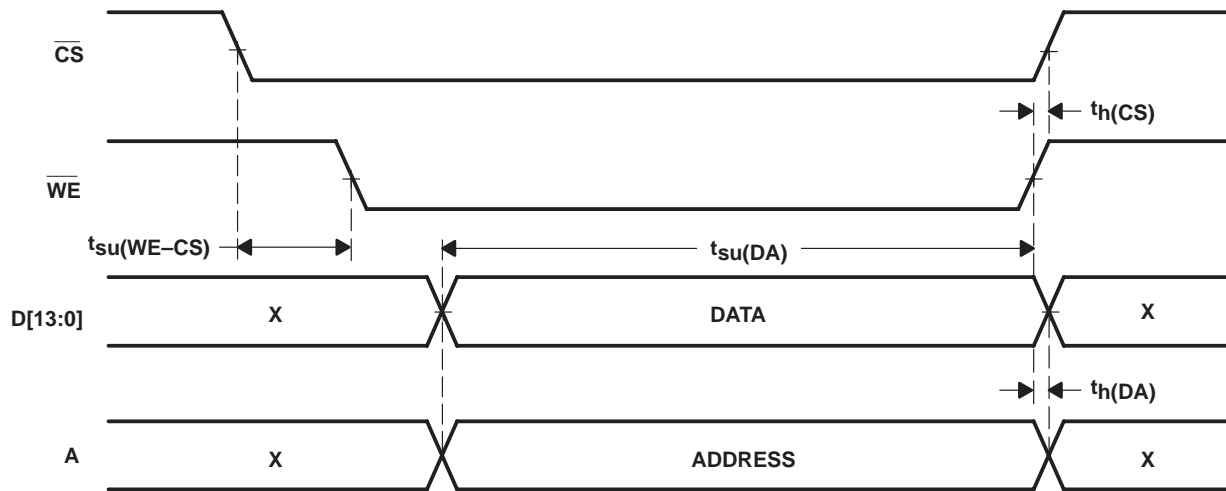


Figure 4. Write Timing

TYPICAL CHARACTERISTICS

POWER
 vs
 FREQUENCY

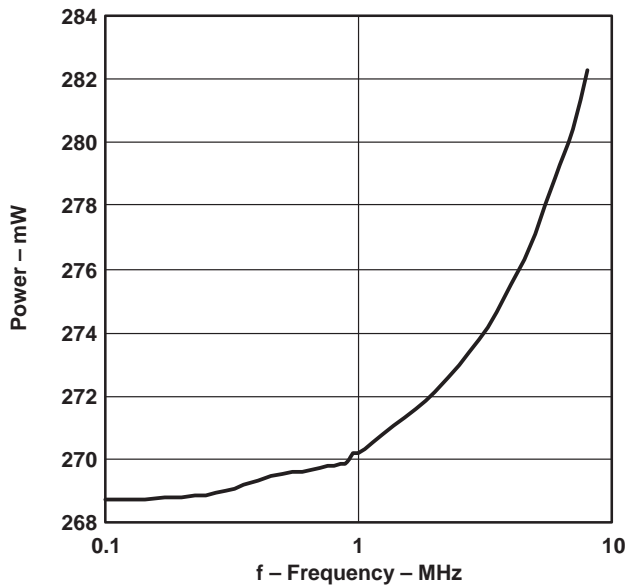


Figure 5

SUPPLY CURRENT
 vs
 TIME

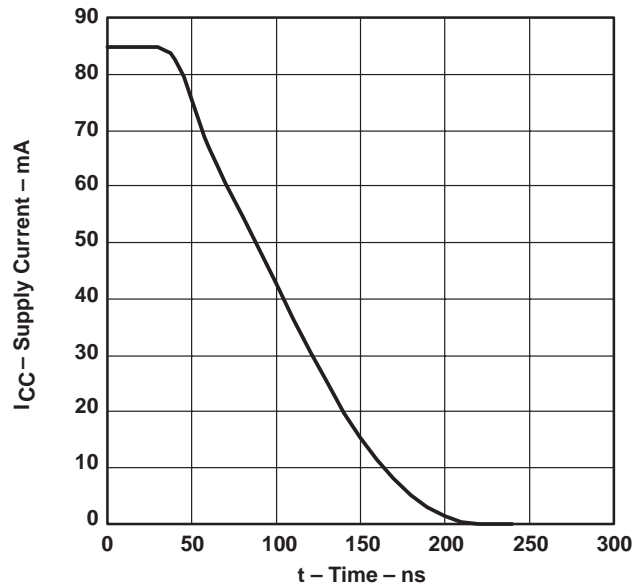


Figure 6

FAST FOURIER TRANSFORM

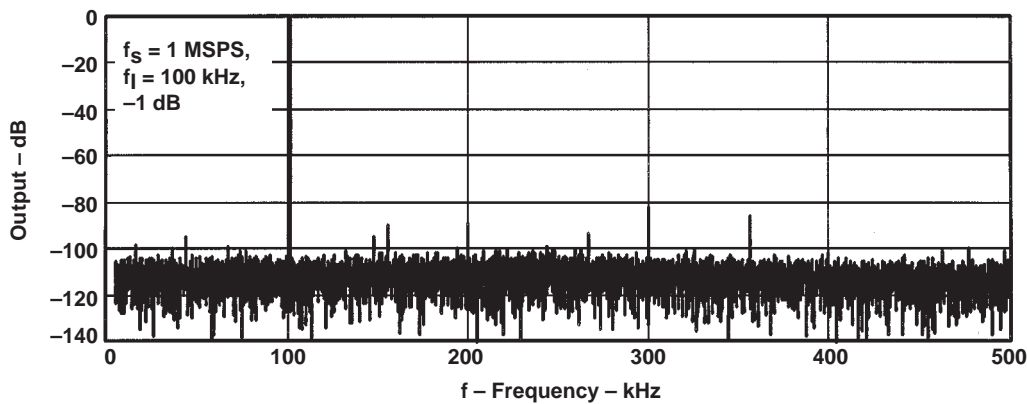


Figure 7



TYPICAL CHARACTERISTICS

FAST FOURIER TRANSFORM

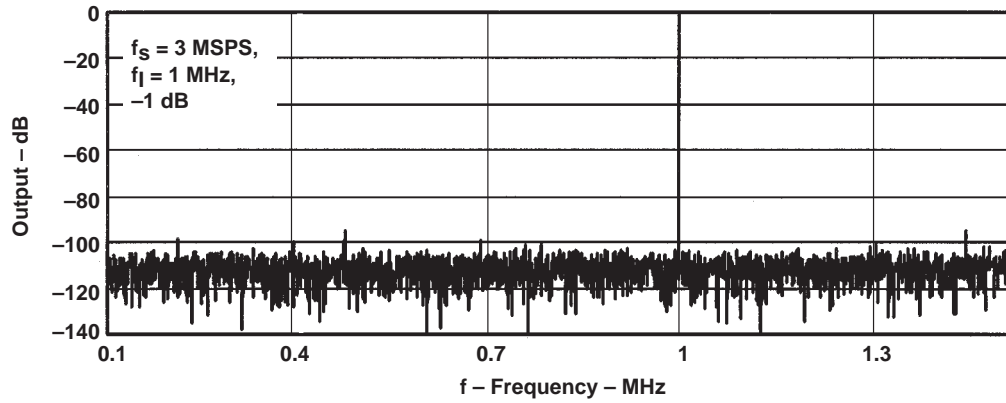


Figure 8

INTEGRAL NONLINEARITY

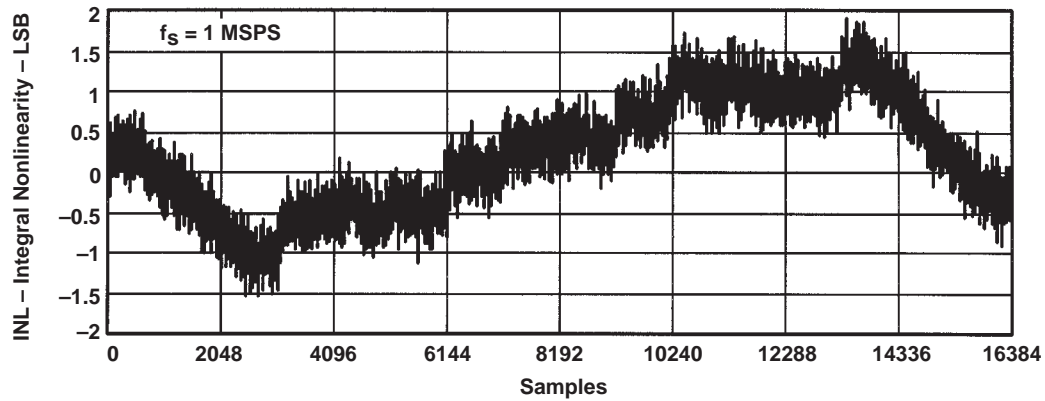


Figure 9

INTEGRAL NONLINEARITY

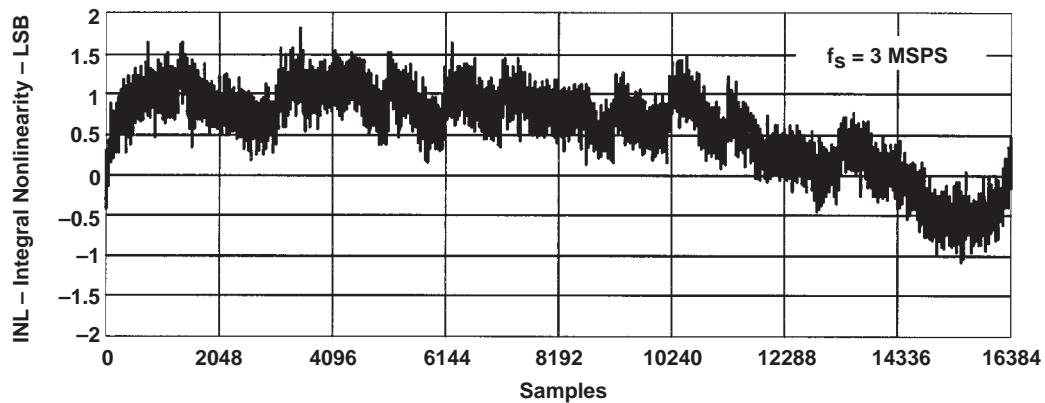


Figure 10

TYPICAL CHARACTERISTICS

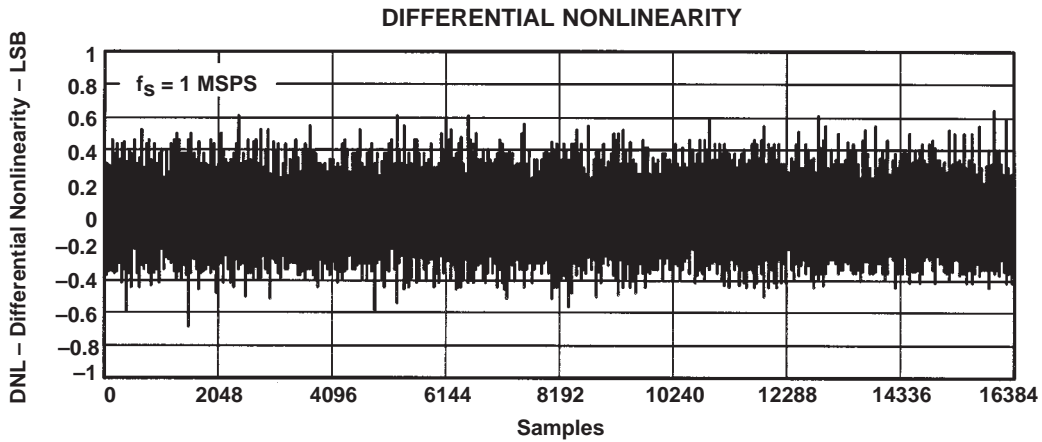


Figure 11

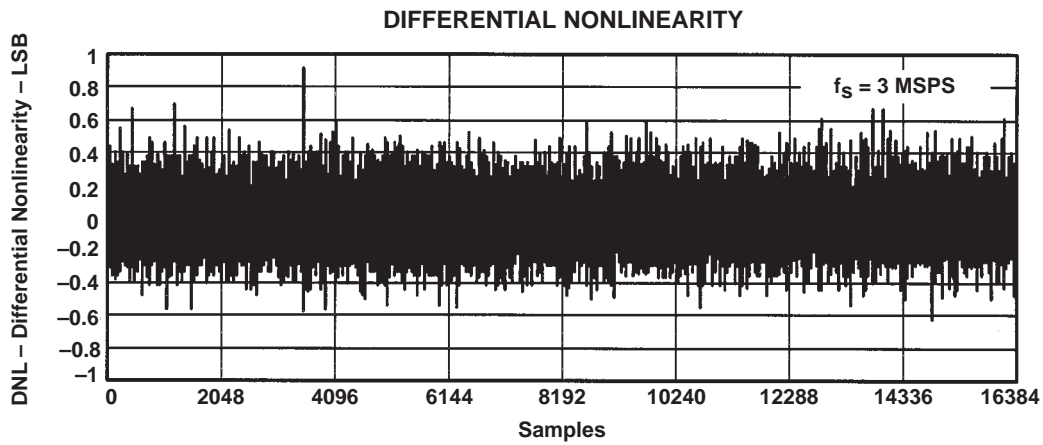


Figure 12

TYPICAL CHARACTERISTICS

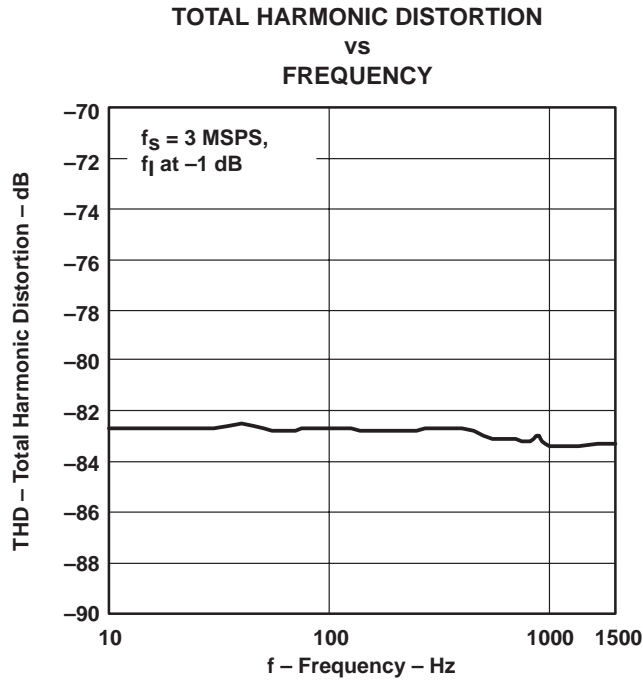


Figure 13

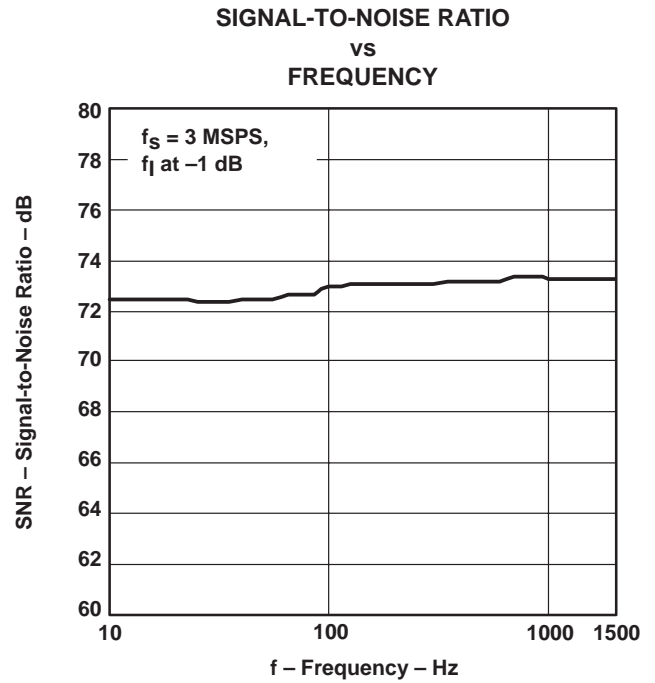


Figure 14

THS14F01, THS14F03
14-BIT, 1 MSPS/ 3 MSPS, DSP COMPATIBLE, ANALOG-TO-DIGITAL CONVERTERS
WITH FIFO INTERNAL REFERENCE AND PGA

SLAS285 – JUNE 2000

PRINCIPLES OF OPERATION

registers

The device contains several registers. The A register is selected by the values of bits A1 and A0:

A1	A0	Register
0	0	Conversion result
0	1	PGA
1	0	Offset
1	1	Control

Tables 1 and 2 describe how to read the conversion results and how to configure the data converter. The default values (were applicable) show the state after a power-on reset.

Table 1. Conversion Result Register, Address 0, Read

BIT	D13	D12	D11	D10	D9	D8	D7	D6	D5	D4	D3	D2	D1	D0
Function	MSB	LSB

The output can be configured for two's complement or straight binary format (see D11/control register).

The output code is given by:

2s complement:

–8192 at $\Delta IN = -\Delta REF$

0 at $\Delta IN = 0$

8191 $\Delta IN = -\Delta REF - 1 \text{ LSB}$

Straight binary:

0 at $\Delta IN = -\Delta REF$

8192 at $\Delta IN = 0$

16383 at $\Delta IN = -\Delta REF - 1 \text{ LSB}$

$$1 \text{ LSB} = \frac{2\Delta REF}{16384}$$

Table 2. PGA Gain Register, Address 1, Read/Write

BIT	D13	D12	D11	D10	D9	D8	D7	D6	D5	D4	D3	D2	D1	D0
Function	X	X	X	X	X	X	X	X	X	X	X	G2	G1	G0
Default	0	0	0	0	0	0	0	0	0	0	0	0	0	0

The PGA gain is determined by writing to G2–0.

Gain (dB) = 1dB × G2–0. max = 7dB. The range of G2–0 is 0 to 7.

Table 3. Offset Register, Address 2, Read/Write

BIT	D13	D12	D11	D10	D9	D8	D7	D6	D5	D4	D3	D2	D1	D0
Function	X	X	X	X	X	X	MSB	LSB
Default	0	0	0	0	0	0	0	0	0	0	0	0	0	0

The offset correction range is from –128 to 127 LSB. This value is added to the conversion results from the ADC.

PRINCIPLES OF OPERATION

Table 4. Control Register, Address 3, Read

BIT	D13	D12	D11	D10	D9	D8	D7	D6	D5	D4	D3	D2	D1	D0
Function	PWD	REF	FOR	TM2	TM1	TM0	OFF	IP	FP	FC	F3	F2	F1	F0

Table 5. Control Register, Address 3, Write

BIT	D13	D12	D11	D10	D9	D8	D7	D6	D5	D4	D3	D2	D1	D0
Function	PWD	REF	FOR	TM2	TM1	TM0	OFF	IP	FP	FC	F3	F2	F1	F0
Default	0	0	0	0	0	0	0	0	0	0	0	0	0	0

- PWD: Power down 0 = normal operation 1 = power down
- REF: Reference select 0 = internal reference 1 = external reference
- FOR: Output format 0 = straight binary 1 = 2s complement
- TM2–0: Test mode 000 = normal operation
 001 = both inputs = REF–
 010 = IN+ at $V_{ref}/2$, IN– at REF–
 011 = IN+ at REF+, IN– at REF–
 100 = normal operation
 101 = both inputs = REF+
 110 = IN+ at REF–, IN– at $V_{ref}/2$
 111 = IN+ at REF–, IN– at REF+
- OFF: Offset correction 0 = enable 1 = disable
- IP: INT polarity 0 = low active 1 = high active
- FP: FIFO FOVL polarity 0 = low active 1 = high active
- FC: FIFO control 0 = disable FIFO 1 = enable FIFO
- F3–0: FIFO threshold Sets the FIFO threshold for the INT signal in steps of 2 ranging from 0 to 30

APPLICATION INFORMATION

FIFO description

The FIFO is based on a circular buffer (see Figure 15, in this example the FIFO is 16 words long). The buffer is accessed using two pointers, one for the ADC writing to the FIFO, one for the processor (DSP) reading from the buffer. Both pointers move in a clockwise direction. If the distance between the ADC write pointer and the DSP read pointer is greater or equal a programmable threshold, the INT signal is asserted. If this INT signal is connected to an external interrupt pin of the processor, it is possible to read out the stored values in the FIFO at once during the interrupt service routine. If the ADC write pointer reaches the position of the DSP read pointer, an overflow occurs. In this case, the overflow bit in the ADC register is set and the FOVL is asserted.

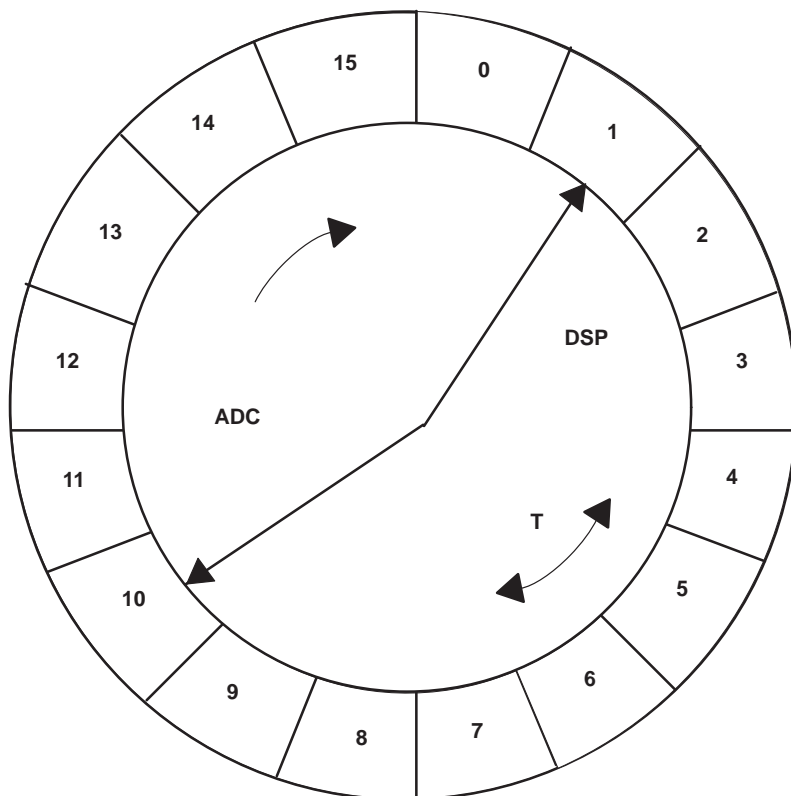


Figure 15. Circular Buffer

APPLICATION INFORMATION

DMA transfer and FIFO

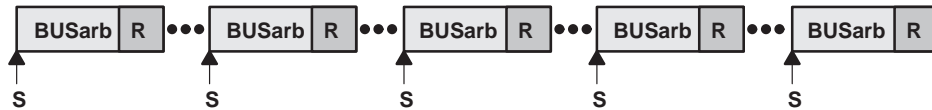
The FIFO makes it possible to use the available interface bandwidth of the host processor more efficiently. The following is a description based on the TMS320C6201 DSP from TI.

The TMS320C6201 memory interface has a limited bandwidth, for example 200MWPS at a clock rate of 200 MHz. The THS14F04x interface is asynchronous with a maximum speed of 300MWPS, which is approximately 7 clock cycles.

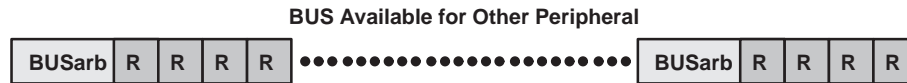
If the DSP uses the DMA controller to read data from the DSP, the following conditions exist:

- DMA bus arbitration: 16 clock cycles
- THS14F0x read access: 7 clock cycles

If, for example, 10 samples need to be read from the ADC without the FIFO, the memory interface will be allocated for $(10 + 7) \times 16 = 272$ clock cycles in total.



With a FIFO programmed to a 10 sample threshold, the memory interface will be allocated for $16 + 7 \times 10 = 86$ clock cycles in total.



driving the analog input

The THS14F01/3 ADCs have a fully differential input. A differential input is advantageous with respect to SNR, SFDR, and THD performance because the signal peak-to-peak level is 50% of a comparable single-ended input.

There are three basic input configurations:

- Fully differential
- Transformer coupled single-ended to differential
- Single-ended

APPLICATION INFORMATION

fully differential configuration

In this configuration, the ADC converts the difference (ΔIN) of the two input signals on IN+ and IN-.

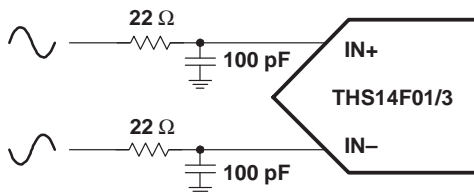


Figure 16. Differential Input

The resistors and capacitors on the inputs decouple the driving source output from the ADC input and also serve as first order low pass filters to attenuate out of band noise.

The input range on both inputs is 0 V to AV_{DD} . The full-scale value is determined by the voltage reference. The positive full-scale output is reached, if ΔIN equals ΔREF , the negative full-scale output is reached, if ΔIN equals $-\Delta REF$.

ΔIN [V]	OUTPUT
$-\Delta REF$	- full scale
0	0
ΔREF	+ full scale

transformer coupled single-ended to differential configuration

If the application requires the best SNR, SFDR, and THD performance, the input should be transformer coupled.

The signal amplitude on both inputs of the ADC is one half as high as in a single-ended configuration thus increasing the ADC ac performance.

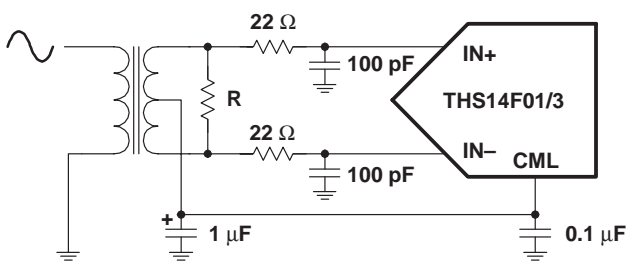


Figure 17. Transformer Coupled

IN [V _{PEAK}]	OUTPUT [PEAK]
$-\Delta REF$	- full scale [†]
0	0
ΔREF	+ full scale [†]

[†] n = 1 (winding ratio)

The resistor R of the transformer coupled input configuration must be set to match the signal source impedance $R = n^2 R_s$, where R_s is the source impedance and n is the transformer winding ratio.

APPLICATION INFORMATION

single-ended configuration

In this configuration, the input signal is level shifted by $\Delta\text{REF}/2$.

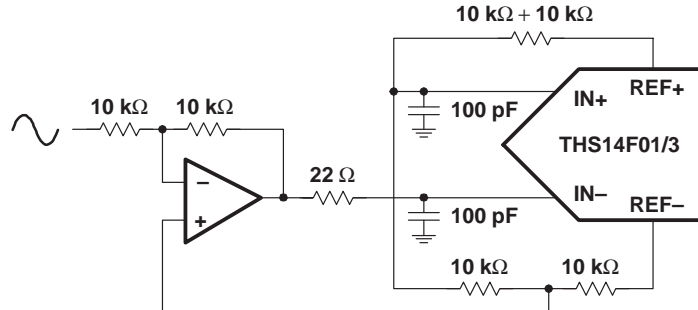


Figure 18. Single-Ended With Level Shift

The following table shows the input voltages for negative full-scale output, zero output, and positive full-scale output:

$\Delta\text{IN+ [V]}$	OUTPUT
$-\Delta\text{REF}$	– full scale
0	0
ΔREF	+ full scale

Note that the resistors of the op-amp and the op-amp all introduce gain and offset errors. Those errors can be trimmed by varying the values of the resistors.

Because of the added offset, the op-amp does not necessarily operate in the best region of its transfer curve (best linearity around zero) and therefore may introduce unacceptable distortion. For ac signals, an alternative is described in the following section.

APPLICATION INFORMATION

ac-coupled single-ended configuration

If the application does not require the signal bandwidth to include dc, the level shift shown in Figure 4 is not necessary.

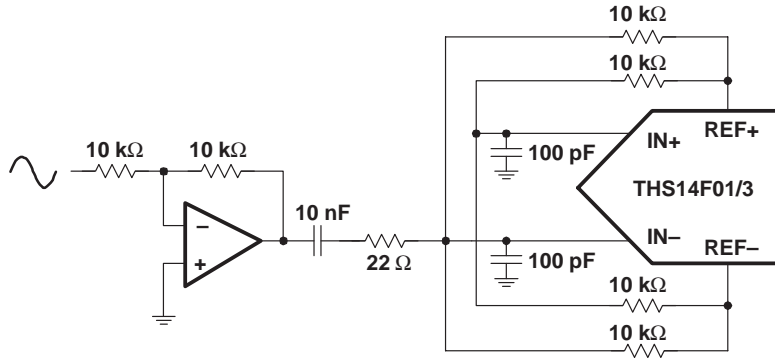


Figure 19. Single-Ended With Level Shift

Because the signal swing on the op-amp is centered around ground, it is more likely that the signal stays within the linear region of the op-amp transfer function, thus increasing the overall ac performance.

IN [V _{PEAK}]	OUTPUT [PEAK]
-ΔREF	- full scale
0	0
ΔREF	+ full scale

Compared to the transformer-coupled configuration, the swing on IN- is twice as big, which can decrease the ac performance (SNR, SFD, and THD).

APPLICATION INFORMATION

internal/external reference operation

The THS14F01/3 ADC can either be operated using the built-in band gap reference or using an external precision reference in case very high dc accuracy is needed.

The REF+ and REF- outputs are given by:

$$\text{REF} + = \text{VBG} \left(1 + \frac{2}{3} \right) \text{ and } \text{REF} - = \text{VBG} \left(1 - \frac{2}{3} \right)$$

If the built-in reference is used, VBG equals 1.5 V which results in REF+ = 2.5 V, REF- = 0.5 V and $\Delta\text{REF} = 2 \text{ V}$.

The internal reference can be disabled by writing 1 to D12 (REF) in the control register (address 3). The band gap reference is then disconnected and can be substituted by a voltage on the VBG pin.

programmable gain amplifier

The on-chip programmable gain amplifier (PGA) has eight gain settings. The gain can be changed by writing to the PGA gain register (address 1). The range is 0 to 7dB in steps of one dB.

out of range indication

The OV output of the ADC indicates an out of range condition. Every time the difference on the analog inputs exceeds the differential reference, this signal is asserted. This signal is updated the same way as the digital data outputs and therefore subject to the same pipeline delay.

offset compensation

With the offset register it is possible to automatically compensate system offset errors, including errors caused by additional signal conditioning circuitry. If the offset compensation is enabled (D7 (OFF) in the control register), the value in the offset register (address 2) is automatically subtracted from the output of the ADC.

In order to set the correct value of the offset compensation register, the ADC result when the input signal is 0 must be read by the host processor and written to the offset register (address 2).

test modes

The ADC core operation can be tested by selecting one of the available test modes (see control register description). The test modes apply various voltages to the differential input depending on the setting in the control register.

digital I/O

The digital inputs and outputs of the THS14F01/3 ADC are 3-V CMOS compatible. In order to avoid current feed back errors, the capacitive load on the digital outputs should be as low as possible (50 pF max). Series resistors (100 Ω) on the digital outputs can improve the performance by limiting the current during output transitions.

The parallel interface of the THS14F01/3 ADC features 3-state buffers, making it possible to directly connect it to a data bus. The output buffers are enabled by driving the $\overline{\text{OE}}$ input low.

Refer to the read and write timing diagrams in the parameter measurement information section for information on read and write access.

THS14F01, THS14F03

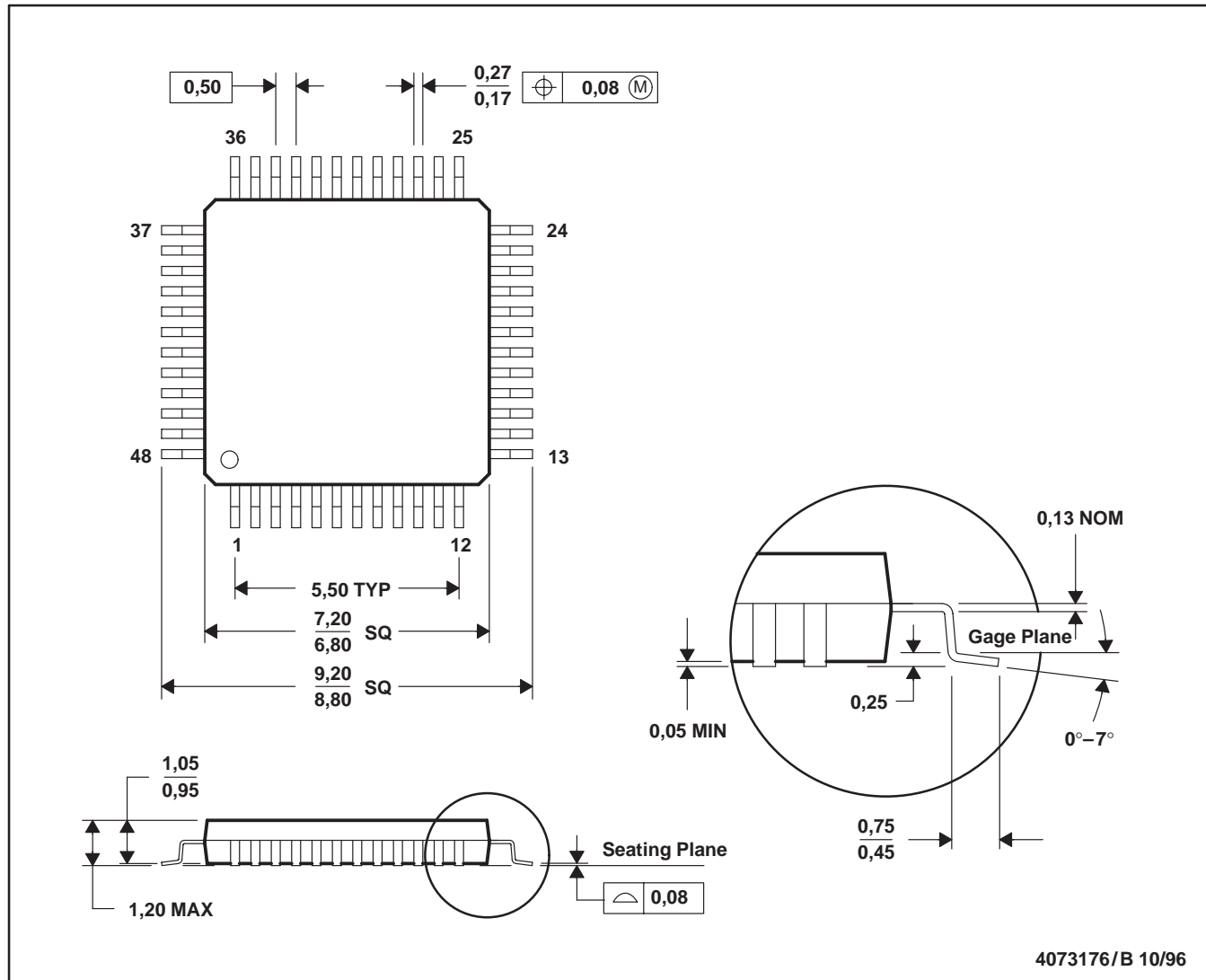
14-BIT, 1 MSPS/ 3 MSPS, DSP COMPATIBLE, ANALOG-TO-DIGITAL CONVERTERS WITH FIFO INTERNAL REFERENCE AND PGA

SLAS285 – JUNE 2000

MECHANICAL DATA

PFB (S-PQFP-G48)

PLASTIC QUAD FLATPACK



4073176/B 10/96

- NOTES: A. All linear dimensions are in millimeters.
 B. This drawing is subject to change without notice.
 C. Falls within JEDEC MS-026

PACKAGING INFORMATION

Orderable Device	Status ⁽¹⁾	Package Type	Package Drawing	Pins	Package Qty	Eco Plan ⁽²⁾	Lead/Ball Finish	MSL Peak Temp ⁽³⁾
THS14F01IPFB	ACTIVE	TQFP	PFB	48	250	Green (RoHS & no Sb/Br)	CU NIPDAU	Level-2-260C-1 YEAR
THS14F01IPFBG4	ACTIVE	TQFP	PFB	48	250	Green (RoHS & no Sb/Br)	CU NIPDAU	Level-2-260C-1 YEAR
THS14F03IPFB	ACTIVE	TQFP	PFB	48	250	Green (RoHS & no Sb/Br)	CU NIPDAU	Level-2-260C-1 YEAR
THS14F03IPFBG4	ACTIVE	TQFP	PFB	48	250	Green (RoHS & no Sb/Br)	CU NIPDAU	Level-2-260C-1 YEAR

⁽¹⁾ The marketing status values are defined as follows:

ACTIVE: Product device recommended for new designs.

LIFEBUY: TI has announced that the device will be discontinued, and a lifetime-buy period is in effect.

NRND: Not recommended for new designs. Device is in production to support existing customers, but TI does not recommend using this part in a new design.

PREVIEW: Device has been announced but is not in production. Samples may or may not be available.

OBSOLETE: TI has discontinued the production of the device.

⁽²⁾ Eco Plan - The planned eco-friendly classification: Pb-Free (RoHS), Pb-Free (RoHS Exempt), or Green (RoHS & no Sb/Br) - please check <http://www.ti.com/productcontent> for the latest availability information and additional product content details.

TBD: The Pb-Free/Green conversion plan has not been defined.

Pb-Free (RoHS): TI's terms "Lead-Free" or "Pb-Free" mean semiconductor products that are compatible with the current RoHS requirements for all 6 substances, including the requirement that lead not exceed 0.1% by weight in homogeneous materials. Where designed to be soldered at high temperatures, TI Pb-Free products are suitable for use in specified lead-free processes.

Pb-Free (RoHS Exempt): This component has a RoHS exemption for either 1) lead-based flip-chip solder bumps used between the die and package, or 2) lead-based die adhesive used between the die and leadframe. The component is otherwise considered Pb-Free (RoHS compatible) as defined above.

Green (RoHS & no Sb/Br): TI defines "Green" to mean Pb-Free (RoHS compatible), and free of Bromine (Br) and Antimony (Sb) based flame retardants (Br or Sb do not exceed 0.1% by weight in homogeneous material)

⁽³⁾ MSL, Peak Temp. -- The Moisture Sensitivity Level rating according to the JEDEC industry standard classifications, and peak solder temperature.

Important Information and Disclaimer:The information provided on this page represents TI's knowledge and belief as of the date that it is provided. TI bases its knowledge and belief on information provided by third parties, and makes no representation or warranty as to the accuracy of such information. Efforts are underway to better integrate information from third parties. TI has taken and continues to take reasonable steps to provide representative and accurate information but may not have conducted destructive testing or chemical analysis on incoming materials and chemicals. TI and TI suppliers consider certain information to be proprietary, and thus CAS numbers and other limited information may not be available for release.

In no event shall TI's liability arising out of such information exceed the total purchase price of the TI part(s) at issue in this document sold by TI to Customer on an annual basis.

IMPORTANT NOTICE

Texas Instruments Incorporated and its subsidiaries (TI) reserve the right to make corrections, modifications, enhancements, improvements, and other changes to its products and services at any time and to discontinue any product or service without notice. Customers should obtain the latest relevant information before placing orders and should verify that such information is current and complete. All products are sold subject to TI's terms and conditions of sale supplied at the time of order acknowledgment.

TI warrants performance of its hardware products to the specifications applicable at the time of sale in accordance with TI's standard warranty. Testing and other quality control techniques are used to the extent TI deems necessary to support this warranty. Except where mandated by government requirements, testing of all parameters of each product is not necessarily performed.

TI assumes no liability for applications assistance or customer product design. Customers are responsible for their products and applications using TI components. To minimize the risks associated with customer products and applications, customers should provide adequate design and operating safeguards.

TI does not warrant or represent that any license, either express or implied, is granted under any TI patent right, copyright, mask work right, or other TI intellectual property right relating to any combination, machine, or process in which TI products or services are used. Information published by TI regarding third-party products or services does not constitute a license from TI to use such products or services or a warranty or endorsement thereof. Use of such information may require a license from a third party under the patents or other intellectual property of the third party, or a license from TI under the patents or other intellectual property of TI.

Reproduction of information in TI data books or data sheets is permissible only if reproduction is without alteration and is accompanied by all associated warranties, conditions, limitations, and notices. Reproduction of this information with alteration is an unfair and deceptive business practice. TI is not responsible or liable for such altered documentation.

Resale of TI products or services with statements different from or beyond the parameters stated by TI for that product or service voids all express and any implied warranties for the associated TI product or service and is an unfair and deceptive business practice. TI is not responsible or liable for any such statements.

Following are URLs where you can obtain information on other Texas Instruments products and application solutions:

Products		Applications	
Amplifiers	amplifier.ti.com	Audio	www.ti.com/audio
Data Converters	dataconverter.ti.com	Automotive	www.ti.com/automotive
DSP	dsp.ti.com	Broadband	www.ti.com/broadband
Interface	interface.ti.com	Digital Control	www.ti.com/digitalcontrol
Logic	logic.ti.com	Military	www.ti.com/military
Power Mgmt	power.ti.com	Optical Networking	www.ti.com/opticalnetwork
Microcontrollers	microcontroller.ti.com	Security	www.ti.com/security
Low Power Wireless	www.ti.com/lpw	Telephony	www.ti.com/telephony
		Video & Imaging	www.ti.com/video
		Wireless	www.ti.com/wireless

Mailing Address: Texas Instruments
Post Office Box 655303 Dallas, Texas 75265

Copyright © 2006, Texas Instruments Incorporated

www.BDTIC.com/TI