

# TPS60310, TPS60311, TPS60312, TPS60313 SINGLE-CELL TO 3-V/3.3-V, 20-mA DUAL OUTPUT, HIGH-EFFICIENCY CHARGE PUMP WITH SNOOZE MODE

SLVS362A – MAY 2001 – REVISED AUGUST 2001

## features

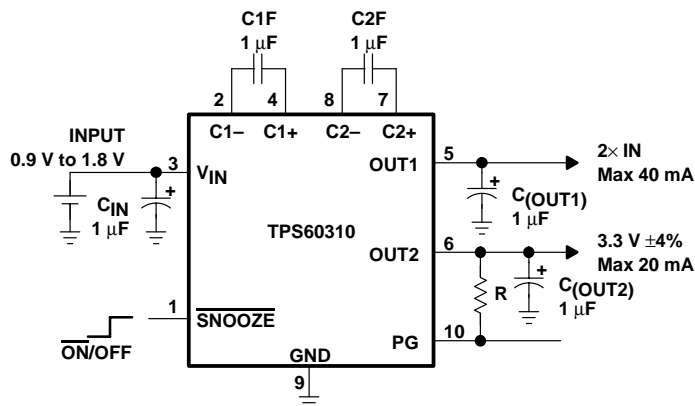
- Regulated 3-V or 3.3-V Output Voltage With up to 20-mA Output Current From a 0.9-V to 1.8-V Input Voltage Range
- High Power Conversion Efficiency (up to 90%) Over Wide Output Current Range, Optimized for 1.2-V Battery Voltage
- Snooze Mode for Improved Efficiency at Low-Output Current
- Additional Output With 2 Times  $V_I$  (OUT1)
- Device Quiescent Current Less Than 2  $\mu\text{A}$
- Supervisor Included; Open Drain or Push-Pull Power Good Output
- No Inductors Required/Low EMI
- Only Five Small, 1- $\mu\text{F}$  Ceramic Capacitors Required
- Microsmall 10-Pin MSOP Package

## description

The TPS6031X step-up, regulated charge pumps generate a 3-V  $\pm 4\%$  or 3.3-V  $\pm 4\%$  output voltage from a 0.9-V to 1.8-V input voltage (one alkaline, NiCd, or NiMH battery).

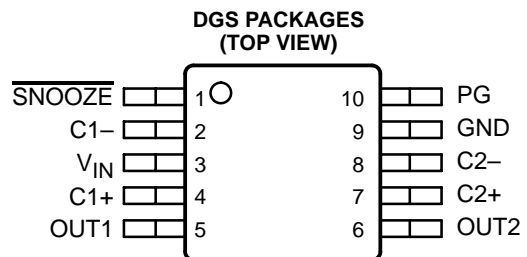
Only five small 1- $\mu\text{F}$  ceramic capacitors are required to build a complete high-efficiency dc/dc charge pump converter. To achieve the high efficiency over a wide input voltage range, the charge pump automatically selects between a 3x or 4x conversion mode.

## typical application circuit

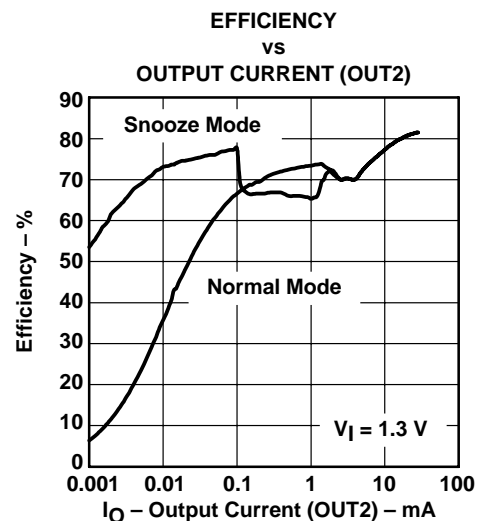


## applications

- Pagers
- Battery-Powered Toys
- Portable Measurement Instruments
- Home Automation Products
- Medical Instruments (Like Hearing Instruments)
- Metering Applications Using MSP430 Microcontroller
- Portable Smart Card Readers



ACTUAL SIZE  
3,05 mm x 4,98 mm



Snooze mode improves efficiency at an output current in the range of 1  $\mu\text{A}$  to 100  $\mu\text{A}$ .



Please be aware that an important notice concerning availability, standard warranty, and use in critical applications of Texas Instruments semiconductor products and disclaimers thereto appears at the end of this data sheet.

PRODUCTION DATA information is current as of publication date. Products conform to specifications per the terms of Texas Instruments standard warranty. Production processing does not necessarily include testing of all parameters.

Copyright © 2001, Texas Instruments Incorporated

**TEXAS INSTRUMENTS**  
[www.BDITIC.com/TI](http://www.BDITIC.com/TI)

**TPS60310, TPS60311, TPS60312, TPS60313**  
**SINGLE-CELL TO 3-V/3.3-V, 20-mA DUAL OUTPUT,**  
**HIGH-EFFICIENCY CHARGE PUMP WITH SNOOZE MODE**

SLVS362A – MAY 2001 – REVISED AUGUST 2001

**description (continued)**

Output 1 (OUT1) can deliver a maximum of 40 mA, from a 1-V input, with output 2 (OUT2) not loaded. OUT2 can deliver a maximum of 20 mA, from a 1-V input, with OUT1 not loaded. Both outputs can be loaded at the same time, but the total output current of the first voltage doubler must not exceed 40 mA. For example, the load at OUT1 is 20 mA and the load at output 2 is 10 mA.

In snooze mode, the devices operate with a typical operating current of 2  $\mu$ A, while the output voltage is maintained at 3.3 V  $\pm$ 10% or 3 V  $\pm$ 10%, respectively. This is lower than the self-discharge current of most batteries. Load current in snooze mode is limited to 2 mA. If the load current increases above 2 mA, the output voltage drops further and the devices automatically exits the snooze mode and operate in normal mode to regulate to the nominal output voltage with higher output currents. The device is set into the snooze mode by taking the SNOOZE pin low, and is set into normal operating mode by taking the SNOOZE pin high.

A power-good function supervises the output voltage of OUT2 and can be used for power up and power down sequencing. Power-good (PG) is offered as either open-drain or push-pull output.

**AVAILABLE OPTIONS**

PART NUMBER†	MARKING DGS PACKAGE	OUTPUT CURRENT 1 [mA]‡	OUTPUT CURRENT 2 [mA]§	OUTPUT VOLTAGE 1 [V]	OUTPUT VOLTAGE 2 [V]	FEATURE
TPS60310DGS	ATG	40	20	2 x V <sub>IN</sub>	3.3	Open-drain power-good output
TPS60311DGS	ATI	40	20	2 x V <sub>IN</sub>	3	Open-drain power-good output
TPS60312DGS	ATK	40	20	2 x V <sub>IN</sub>	3.3	Push-pull power-good output
TPS60313DGS	ATL	40	20	2 x V <sub>IN</sub>	3	Push-pull power-good output

† The DGS package is available taped and reeled. Add R suffix to device type (e.g. TPS60310DGSR) to order quantities of 2500 devices per reel.

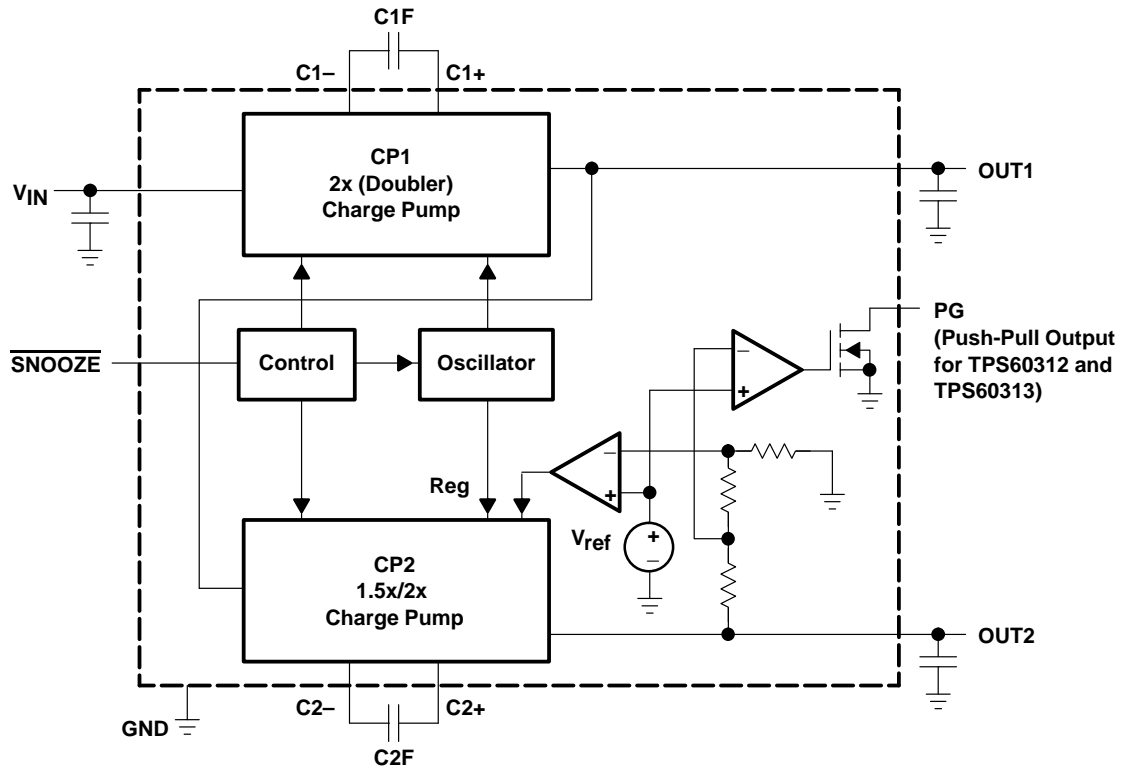
‡ If OUT2 is not loaded.

§ If OUT1 is not loaded.

**TPS60310, TPS60311, TPS60312, TPS60313**  
**SINGLE-CELL TO 3-V/3.3-V, 20-mA DUAL OUTPUT,**  
**HIGH-EFFICIENCY CHARGE PUMP WITH SNOOZE MODE**

SLVS362A – MAY 2001 – REVISED AUGUST 2001

**TPS60310 and TPS60311 functional block diagram**



**Terminal Functions**

TERMINAL NAME	NO.	I/O	DESCRIPTION
C1+	4		Positive terminal of the flying capacitor C1F
C1-	2		Negative terminal of the flying capacitor C1F
C2+	7		Positive terminal of the flying capacitor C2F
C2-	8		Negative terminal of the flying capacitor C2F
GND	9		GROUND
OUT1	5	O	$2 \times V_{IN}$ power output. Bypass OUT1 to GND with the output filter capacitor $C_{(OUT1)}$ .
OUT2	6	O	Regulated 3.3-V power output (TPS60310, TPS60312) or 3-V power output (TPS60311, TPS60313), respectively. Bypass OUT2 to GND with the output filter capacitor $C_{(OUT2)}$ .
PG	10	O	Power good detector output. As soon as the voltage on OUT2 reaches about 98% of its nominal value this pin goes high. Open drain output on TPS60310 and TPS60311. A pullup resistor should be connected between PG and OUT1 or OUT2. Push-pull output stage on TPS60312 and TPS60313
SNOOZE	1	I	Snooze mode enable input – SNOOZE = Low enables the snooze mode at low output current. – SNOOZE = High disables the snooze mode.
VIN	3	I	Supply input. Bypass VIN to GND with a $\geq 1\text{-}\mu\text{F}$ capacitor.

# TPS60310, TPS60311, TPS60312, TPS60313 SINGLE-CELL TO 3-V/3.3-V, 20-mA DUAL OUTPUT, HIGH-EFFICIENCY CHARGE PUMP WITH SNOOZE MODE

SLVS362A – MAY 2001 – REVISED AUGUST 2001

---

## detailed description

### operating principle

The TPS6031X charge pumps are voltage quadruplers that provide a regulated 3.3-V or 3-V output from a 0.9-V to 1.8-V input. They deliver a maximum load current of 20 mA. Designed specifically for space critical battery powered applications, the complete converter requires only five external capacitors and enables the design to use low-cost, small-sized, 1- $\mu$ F ceramic capacitors. The TPS6031X circuits consist of an oscillator, a voltage reference, an internal resistive feedback circuit, two error amplifiers, two charge pump stages with MOSFET switches, a shutdown/start-up circuit, and a control circuit.

### snooze mode

The devices contain a circuit which dramatically reduces the quiescent current at light loads. This so called snooze mode must be enabled by pulling the  $\overline{\text{SNOOZE}}$  pin low. When the output current decreases below the snooze mode threshold, the device enters the snooze mode. In snooze mode, the main error amplifier with 4% error and 50- $\mu$ A supply current is disabled and a 10%, 2- $\mu$ A regulator controls the output voltage.

### start-up procedure

The start-up performance of the device is independent of the level of the snooze input. When voltage is applied to the input, CP1 will first enter a dc start-up mode during which the capacitor on OUT1 is charged up to about  $V_{\text{IN}}$ . After that, it starts switching to boost the voltage further up to about two times  $V_{\text{IN}}$ . CP1 first enters a dc start-up mode during which the capacitor on OUT1 is charged up to about  $V_{\text{IN}}$ . CP2 then follows and charges up the capacitor on OUT2 to about the voltage on OUT1, after that, it also starts switching and boosts up the voltage to its nominal value. The voltage at the  $\overline{\text{SNOOZE}}$  pin must not exceed the highest voltage applied to the device.

#### NOTE:

During start-up with  $V_{\text{OUT}} = 0$  V, the highest voltage is the input voltage.

### power-good detector

The power-good output is an open-drain output on the TPS60310 and TPS60311 or a push-pull output on the TPS60312 and TPS60313. The PG-output pulls low when the output of OUT2 is out of regulation. When the output rises to within 98% of regulation, the power-good output goes active high. In shutdown, power-good is pulled low. In normal operation, an external pullup resistor with the TPS60310 and TPS60311 is typically used to connect the PG pin to VOUT. The resistor should be in the 100-k $\Omega$  to 1-M $\Omega$  range. If the PG output is not used, it should remain unconnected. Output current at PG (TPS60312, TPS60313) reduces maximum output current at OUT2.

In snooze mode, the output voltage is sampled at a rate up to 2 ms and is applied to the power-good comparator. In normal mode, the output voltage is measured continuously.

**TPS60310, TPS60311, TPS60312, TPS60313**  
**SINGLE-CELL TO 3-V/3.3-V, 20-mA DUAL OUTPUT,**  
**HIGH-EFFICIENCY CHARGE PUMP WITH SNOOZE MODE**

SLVS362A – MAY 2001 – REVISED AUGUST 2001

**absolute maximum ratings over operating free-air temperature (unless otherwise noted)†**

Input voltage, $V_I$ (IN to GND) (see Note 1)	–0.3 V to 2 V
Output voltage, $V_O$ (OUT1, OUT2, EN, PG to GND) (see Note 1)	–0.3 V to 3.6 V
Voltage, (C1+ to GND)	–0.3 V to $V_{O(OUT1)} + 0.3$ V
Voltage, (C1– to GND, C2– to GND)	–0.3 V to $V_{IN} + 0.3$ V
Voltage, (C2+ to GND)	–0.3 V to $V_{O(OUT2)} + 0.3$ V
Continuous power dissipation	See Dissipation Rating Table
Output current, $I_O$ (OUT1)	80 mA
Output current, $I_O$ (OUT2)	40 mA
Storage temperature range, $T_{stg}$	–55°C to 150°C
Maximum junction temperature, $T_J$	150°C

† Stresses beyond those listed under “absolute maximum ratings” may cause permanent damage to the device. These are stress ratings only, and functional operation of the device at these or any other conditions beyond those indicated under “recommended operating conditions” is not implied. Exposure to absolute-maximum-rated conditions for extended periods may affect device reliability.

NOTE 1: The voltage at SNOOZE and PG can exceed IN up to the maximum rated voltage without increasing the leakage current drawn by these pins.

**DISSIPATION RATING TABLE**

PACKAGE	$T_A < 25^\circ\text{C}$ POWER RATING	DERATING FACTOR ABOVE $T_A = 25^\circ\text{C}$	$T_A = 70^\circ\text{C}$ POWER RATING	$T_A = 85^\circ\text{C}$ POWER RATING
DGS	424 mW	3.4 mW/°C	271 mW	220 mW

NOTE: The thermal resistance junction to ambient of the DGS package is  $R_{TH-JA} = 294^\circ\text{C/W}$ .

**recommended operating conditions**

	MIN	NOM	MAX	UNIT
Input voltage, $V_I$	0.9		1.8	V
Output current (OUT2), $I_{O(OUT2)}$			20	mA
Output current (OUT1), $I_{O(OUT1)}$			40	mA
Input capacitor, $C_I$	1			$\mu\text{F}$
Flying capacitors, C1F, C2F		1		$\mu\text{F}$
Output capacitors, $C_{O(1)}$ , $C_{O(2)}$	1			$\mu\text{F}$
Operating junction temperature, $T_J$	–40		125	°C

**TPS60310, TPS60311, TPS60312, TPS60313**  
**SINGLE-CELL TO 3-V/3.3-V, 20-mA DUAL OUTPUT,**  
**HIGH-EFFICIENCY CHARGE PUMP WITH SNOOZE MODE**

SLVS362A – MAY 2001 – REVISED AUGUST 2001

**electrical characteristics at  $C_{IN} = C1F = C2F = C_{(OUT1)} = C_{(OUT2)} = 1 \mu F$ ,  $T_C = -40^\circ C$  to  $85^\circ C$ ,  $V_{IN} = 1 V$ ,  $V_{(SNOOZE)} = V_{IN}$  (unless otherwise noted)**

PARAMETER		TEST CONDITIONS	MIN	TYP	MAX	UNIT
$V_{IN}$	Supply voltage range		0.9		1.8	V
$I_O(OUT1)$	Maximum output current for TPS60310, TPS60312	$V_{IN} \geq 1.1 V$ , $I_O(OUT2) = 0 mA$ , $I_{(PG,1)} = 0 mA$	40			mA
		$V_{IN} = 0.9 V$ , $I_O(OUT2) = 0 mA$ , $I_{(PG,1)} = 0 mA$	20			
$I_O(OUT2)$		$V_{IN} \geq 1.1 V$ , $I_O(OUT1) = 0 mA$ , $I_{(PG,1)} = 0 mA$	20			
		$V_{IN} = 0.9 V$ , $I_O(OUT1) = 0 mA$ , $I_{(PG,1)} = 0 mA$	10			
$I_O(OUT1)$	Maximum output current for TPS60311, TPS60313	$V_{IN} \geq 1.1 V$ , $I_O(OUT2) = 0 mA$ , $I_{(PG,1)} = 0 mA$	40			mA
		$V_{IN} = 0.9 V$ , $I_O(OUT2) = 0 mA$ , $I_{(PG,1)} = 0 mA$	20			
$I_O(OUT2)$		$V_{IN} \geq 1 V$ , $I_O(OUT1) = 0 mA$ , $I_{(PG,1)} = 0 mA$	20			
		$V_{IN} = 0.9 V$ , $I_O(OUT1) = 0 mA$ , $I_{(PG,1)} = 0 mA$	12			
$V_O(OUT2)$	Output voltage for TPS60310, TPS60312	$1.1 V < V_{IN} < 1.8 V$ , $I_O(OUT1) = 0 mA$ $0 < I_O(OUT2) < 20 mA$	3.17	3.3	3.43	V
		$0.9 V < V_{IN} < 1.1 V$ , $I_O(OUT1) = 0 mA$ , $I_O(OUT2) < 10 mA$	3.17	3.3	3.43	V
		$0.9 V < V_{IN} < 1.8 V$ , $V_{(SNOOZE)} = 0 V$ , $0 < I_O(OUT2) < 1 mA$ or $0 < I_O(OUT1) < 2 mA$	2.85	3.3	3.6	V
$V_O(OUT2)$	Output voltage for TPS60311, TPS60313	$1 V < V_{IN} < 1.8 V$ , $I_O(OUT1) = 0 mA$ , $0 < I_O(OUT2) < 20 mA$	2.88	3	3.12	V
		$V_{IN} > 1.65 V$ , $I_O(OUT1) = 0 mA$ , $25 \mu A < I_O(OUT2) < 20 mA$	2.88	3	3.15	V
		$0.9 V < V_{IN} < 1.8 V$ , $V_{(SNOOZE)} = 0 V$ , $0 < I_O(OUT2) < 1 mA$ or $0 < I_O(OUT1) < 2 mA$	2.6	3.3	3.27	V
$V_{P-P}$	Output voltage ripple	OUT2 $I_O(OUT2) = 20 mA$ , $I_O(OUT1) = 0 mA$		30		mV <sub>P-P</sub>
		OUT1 $I_O(OUT1) = 40 mA$ , $I_O(OUT2) = 0 mA$		60		
$I_Q$	Quiescent current (no-load input current)	$I_O = 0 mA$ , $V_{IN} = 1.8 V$		35	70	$\mu A$
$I_{(SQ)}$	Quiescent supply current in snooze mode	$V_{IN} = 1.65 V$ , $V_{(SNOOZE)} = 0 V$ , $T_C = 60^\circ C$		2	10	$\mu A$
		$V_{IN} = 1.65 V$ , $V_{(SNOOZE)} = 0 V$ , $T_C \leq 25^\circ C$		1.5	4	
$f_{OSC}$	Internal switching frequency		470	700	900	kHz
$V_{IL(EN)}$	EN input low voltage	$V_{IN} = 0.9 V$ to $1.8 V$			$0.3 \times V_{IN}$	V
$V_{IH(EN)}$	EN input high voltage	$V_{IN} = 0.9 V$ to $1.8 V$	$0.7 \times V_{IN}$			V
$I_{lkg}$	EN input leakage current	$V_{(EN)} = 0 V$ or $V_{IN}$ or $V_O(OUT2)$ or $V_O(OUT1)$		0.01	0.1	$\mu A$
	LinSkip switching threshold	$V_{IN} = 1.25 V$		7.5		mA
	Snooze mode threshold	$V_{IN} = 1.25 V$	$I_O(OUT1)$	2	8	mA
			$I_O(OUT2)$	1	4	mA



**TPS60310, TPS60311, TPS60312, TPS60313**  
**SINGLE-CELL TO 3-V/3.3-V, 20-mA DUAL OUTPUT,**  
**HIGH-EFFICIENCY CHARGE PUMP WITH SNOOZE MODE**

SLVS362A – MAY 2001 – REVISED AUGUST 2001

**electrical characteristics at  $C_{IN} = C1F = C2F = C_{(OUT1)} = C_{(OUT2)} = 1 \mu F$ ,  $T_C = -40^\circ C$  to  $85^\circ C$ ,  $V_{IN} = 1 V$ ,  $V_{(SNOOZE)} = V_{IN}$  (unless otherwise noted) (continued)**

PARAMETER	TEST CONDITIONS	MIN	TYP	MAX	UNIT	
Short circuit current	$V_{IN} = 1.8 V$	$V_{O(OUT2)} = 0 V$	5	20	50	mA
		$V_{O(OUT1)} = 0 V$	2	80	150	
Output load regulation	$V_{IN} = 1.25 V$ , $T_C = 25^\circ C$ $2 mA < I_{O(OUT2)} < 20 mA$		0.1		%/mA	
Output line regulation	$1 V < V_{IN} < 1.65 V$ , $T_C = 25^\circ C$ , $I_{O(OUT)} = 10 mA$		0.75		%/V	
	$1 V < V_{IN} < 1.65 V$ , $T_C = 25^\circ C$ , $I_{O(OUT2)} = 1 mA$ , $V_{(SNOOZE)} = 0 V$		1		%/V	
No load start-up time			400		$\mu s$	
Impedance of first charge pump stage			4.0		$\Omega$	
Start-up performance at OUT2 (minimum start-up load resistance)	$V_{IN} \geq 1.1 V$		165		$\Omega$	
	$V_{IN} \geq 1 V$		330			
	$V_{IN} = 0.9 V$		1000			
Startup performance at OUT1 (minimum start-up load resistance)	$V_{IN} = 1 V$		500		$\Omega$	

**electrical characteristics for power good comparator of devices TPS6031X at  $T_C = -40^\circ C$  to  $85^\circ C$ ,  $V_{IN} = 1 V$  and  $V_{(SNOOZE)} = V_{IN}$  (unless otherwise noted)**

PARAMETER	TEST CONDITIONS	MIN	TYP	MAX	UNIT
$V_{(PG)}$ Power-good trip voltage	$V_O$ ramping positive		$V_O - 1\%$	$V_O$	V
$V_{hys}$ Power-good trip voltage hysteresis	$V_O$ ramping negative		10%		
$V_{OL}$ Power-good output voltage low	$V_O = 0 V$ , $I_{(PG)} = 1.6 mA$			0.3	V
$I_{lkg}$ Power-good leakage current	TPS60310	$V_O = 3.3 V$ , $V_{(PG)} = 3.3 V$	0.01	0.1	$\mu A$
	TPS60311	$V_O = 3 V$ , $V_{(PG)} = 3 V$	0.01	0.1	
$V_{OH}$ Power-good output voltage high	TPS60312	$I_{O(PG)} = -5 mA$	3		V
	TPS60313		2.7		
$I_{O(PG,1)}$ Output current at power good (source)	TPS60312, TPS60313		-5		mA
$I_{O(PG,0)}$ Output current at power good (sink)	All devices	$V_{(PG)} = 0 V$	1.6		mA
$R_{(PG,1)}$	Output resistance at power good	TPS60312, TPS60313	$V_{(PG)} = V_{O(OUT2)}$	15	$\Omega$
$R_{(PG,0)}$				All devices	

**TPS60310, TPS60311, TPS60312, TPS60313**  
**SINGLE-CELL TO 3-V/3.3-V, 20-mA DUAL OUTPUT,**  
**HIGH-EFFICIENCY CHARGE PUMP WITH SNOOZE MODE**

SLVS362A – MAY 2001 – REVISED AUGUST 2001

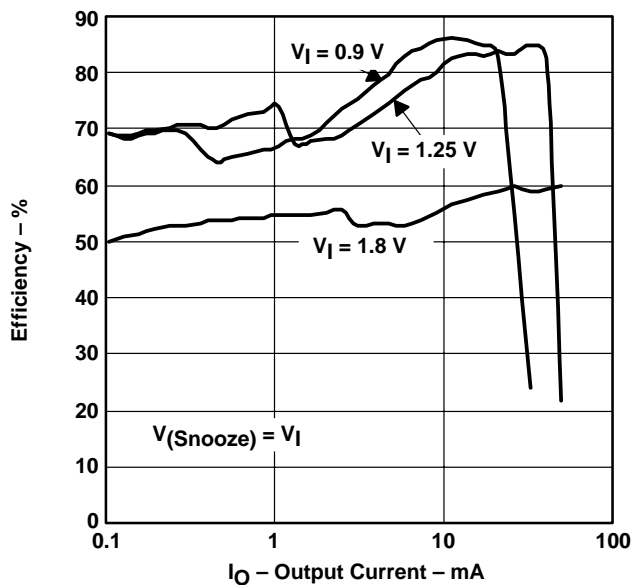
**TYPICAL CHARACTERISTICS**

**Table of Graphs**

			<b>FIGURE</b>
$\eta$	Efficiency	vs Output current (TPS60310 and TPS60311)	1, 2
$I_S$	Supply current	vs Output current	3
$I_Q$	Quiescent current	vs Input voltage	4
$V_O(OUT2)$	Output voltage at OUT2	vs Output current (TPS60310 and TPS60311)	5, 6
$V_O(OUT1)$	Output voltage at OUT1	vs Output current at 25°C, $V_I = 0.9\text{ V}, 1.1\text{ V}, 1.25\text{ V}, 1.4\text{ V}, 1.6\text{ V}, 1.8\text{ V}$	7
$V_O(OUT2)$	Output voltage at OUT2	vs Input voltage (TPS60310 and TPS60311)	8, 9
$V_O(OUT1)$	Output voltage at OUT1	vs Input voltage (TPS60310 and TPS60311)	10
$V_O(OUT2)$	Output voltage at OUT2	vs Free-air temperature (TPS60310, TPS60312, TPS60311, and TPS60313)	11, 12
$V_O(OUT2)$	Output voltage ripple at OUT2		13
	Minimum input voltage	vs Output current for TPS60310, TPS60312, TPS60311, and TPS60313	14, 15
	Start-up timing enable		16
	Switching frequency	vs Input voltage	17
	Load transient response		18
	Line transient response		19
$V_O$	Output voltage	vs Time	20
	Output voltage ripple in Snooze mode		21

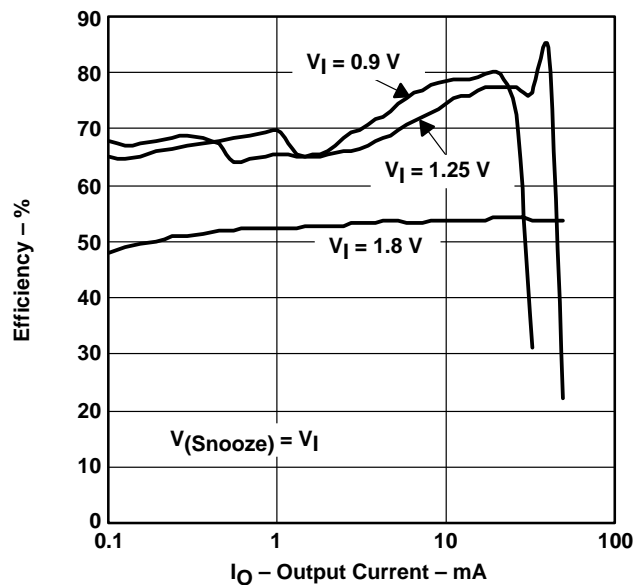
**TYPICAL CHARACTERISTICS**

**TPS60310, TPS60312**  
**EFFICIENCY**  
**vs**  
**OUTPUT CURRENT**



**Figure 1**

**TPS60311, TPS60313**  
**EFFICIENCY**  
**vs**  
**OUTPUT CURRENT**



**Figure 2**

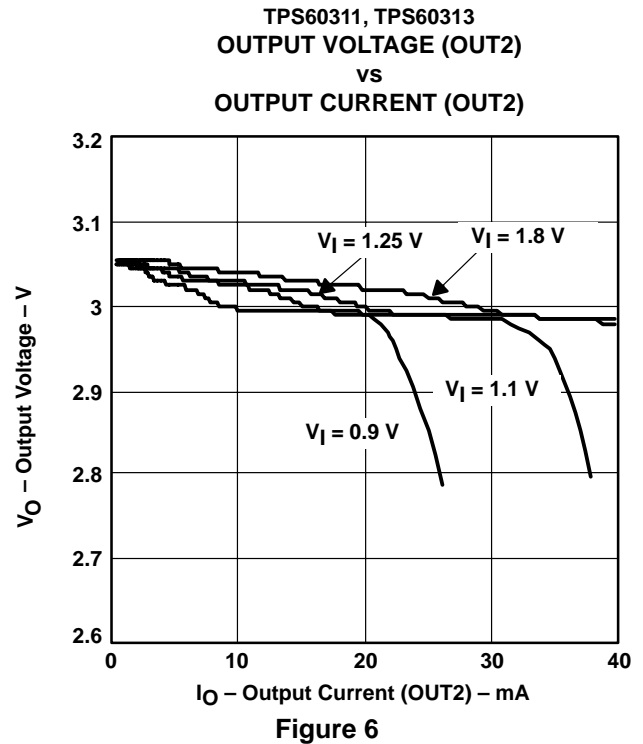
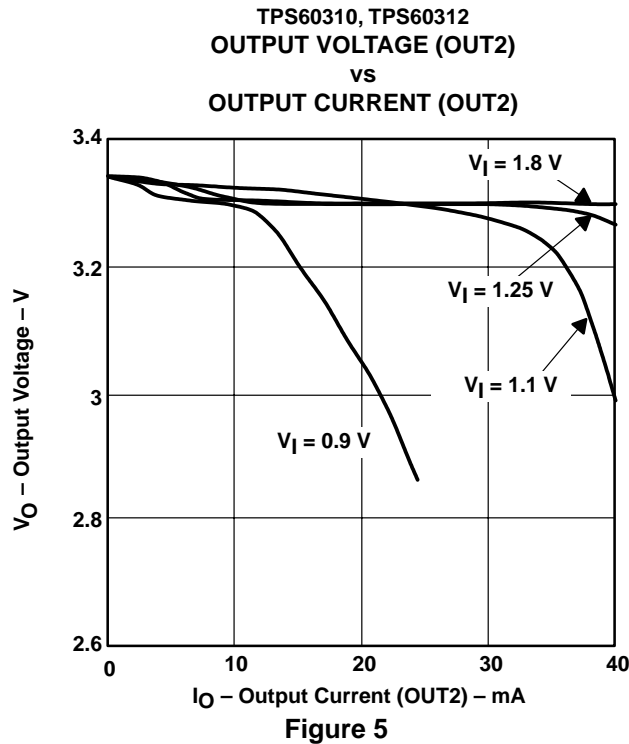
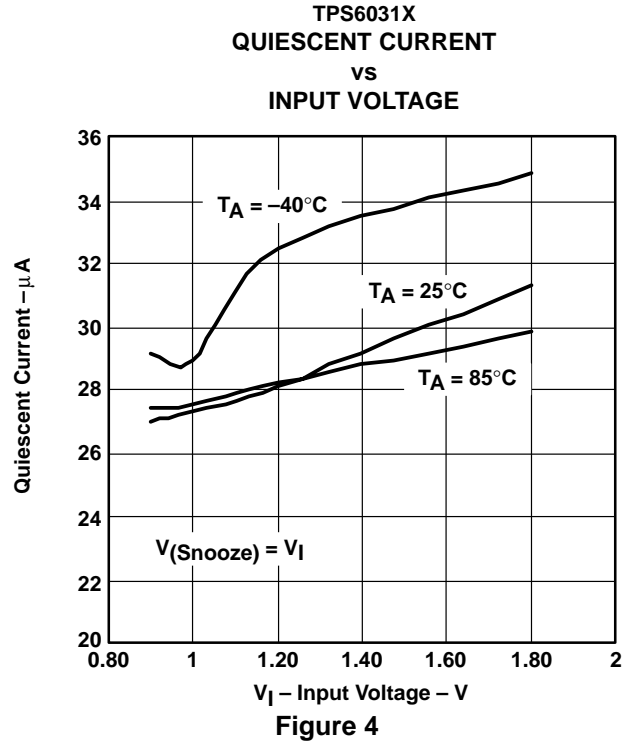
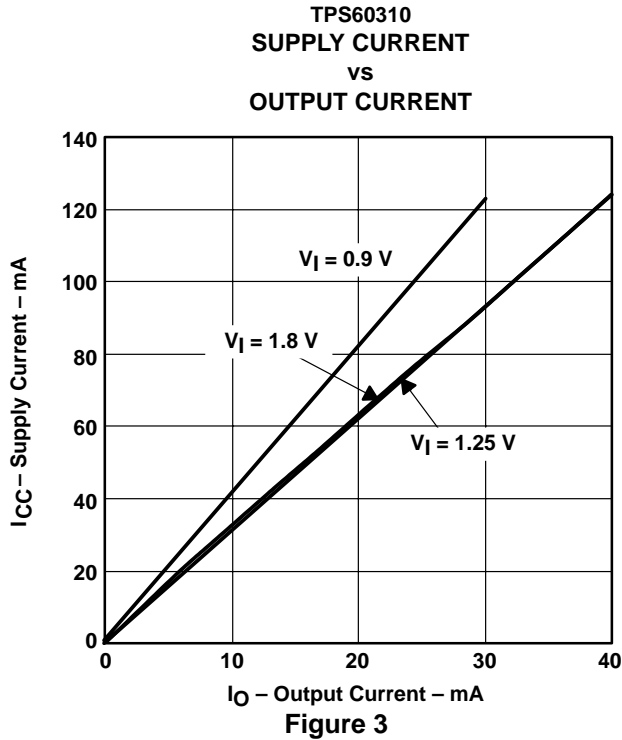




TPS60310, TPS60311, TPS60312, TPS60313  
 SINGLE-CELL TO 3-V/3.3-V, 20-mA DUAL OUTPUT,  
 HIGH-EFFICIENCY CHARGE PUMP WITH SNOOZE MODE

SLVS362A – MAY 2001 – REVISED AUGUST 2001

TYPICAL CHARACTERISTICS

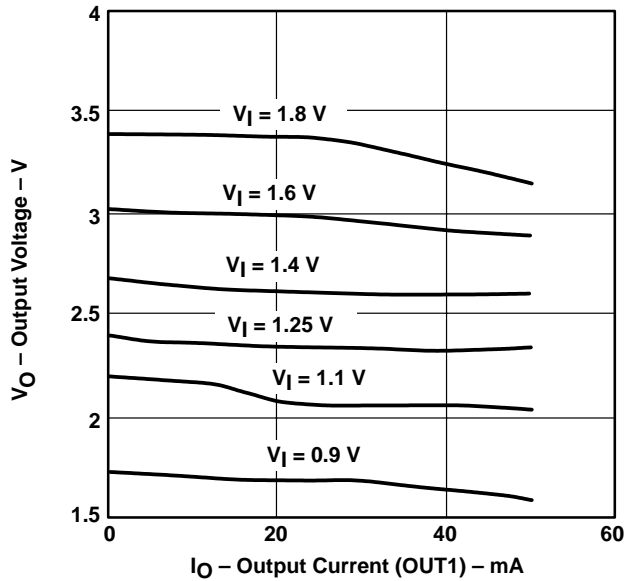


**TPS60310, TPS60311, TPS60312, TPS60313**  
**SINGLE-CELL TO 3-V/3.3-V, 20-mA DUAL OUTPUT,**  
**HIGH-EFFICIENCY CHARGE PUMP WITH SNOOZE MODE**

SLVS362A – MAY 2001 – REVISED AUGUST 2001

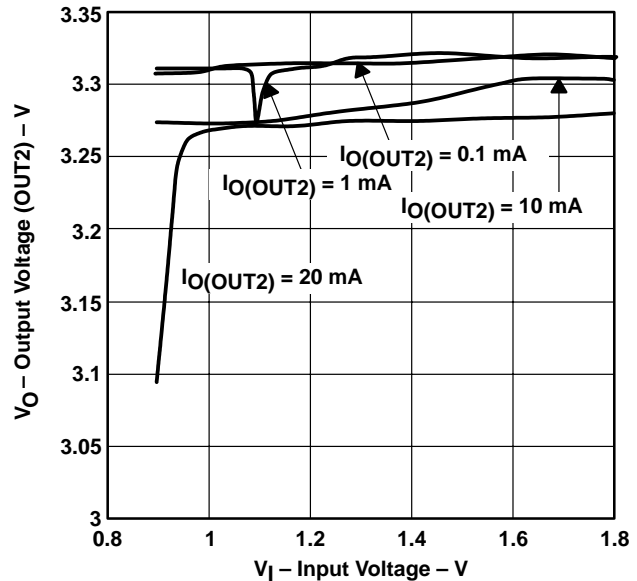
**TYPICAL CHARACTERISTICS**

TPS60310, TPS60312  
**OUTPUT VOLTAGE (OUT1)**  
 vs  
**OUTPUT CURRENT (OUT1)**



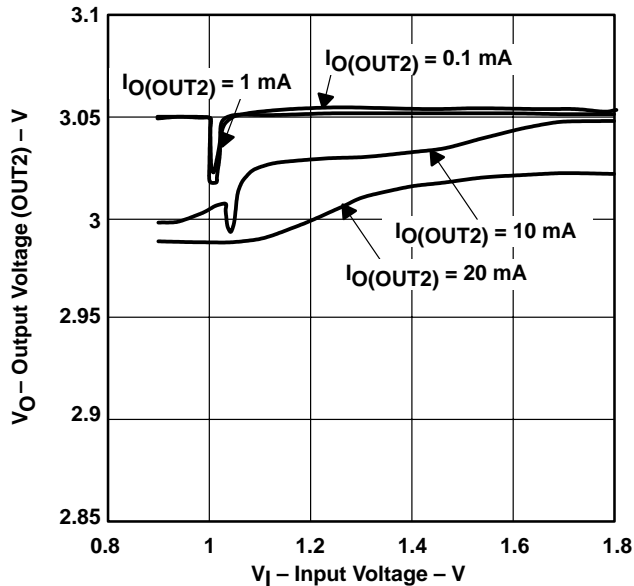
**Figure 7**

TPS60310, TPS60312  
**OUTPUT VOLTAGE (OUT2)**  
 vs  
**INPUT VOLTAGE**



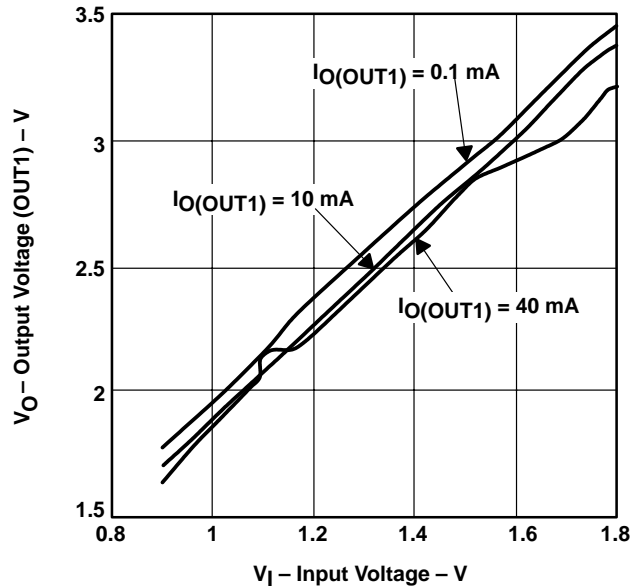
**Figure 8**

TPS60310, TPS60312  
**OUTPUT VOLTAGE (OUT2)**  
 vs  
**INPUT VOLTAGE**



**Figure 9**

TPS6031x  
**OUTPUT VOLTAGE (OUT1)**  
 vs  
**INPUT VOLTAGE**



**Figure 10**



TYPICAL CHARACTERISTICS

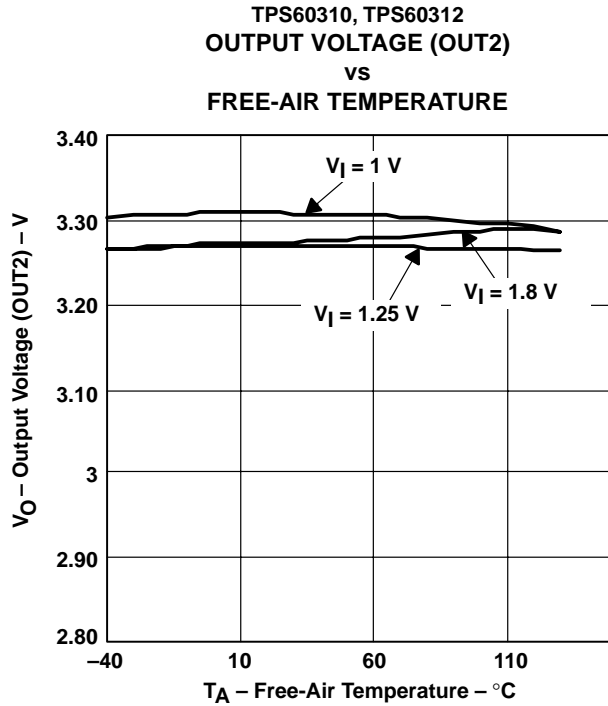


Figure 11

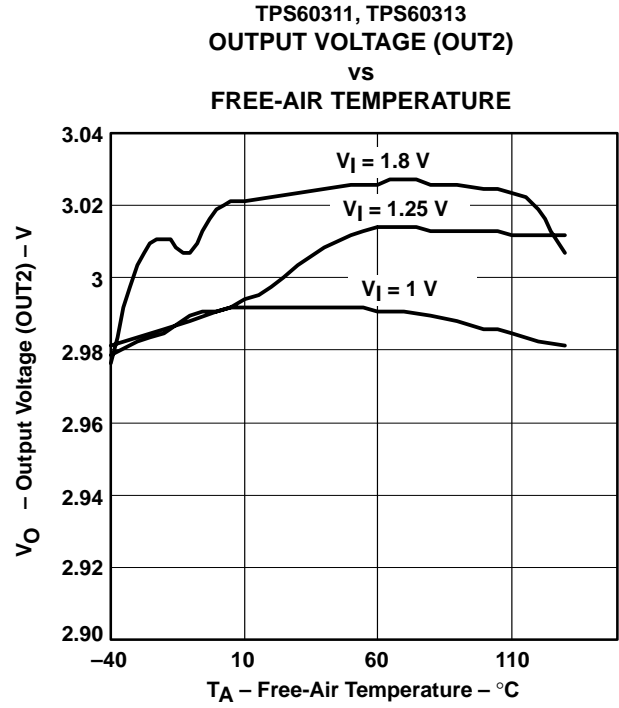


Figure 12

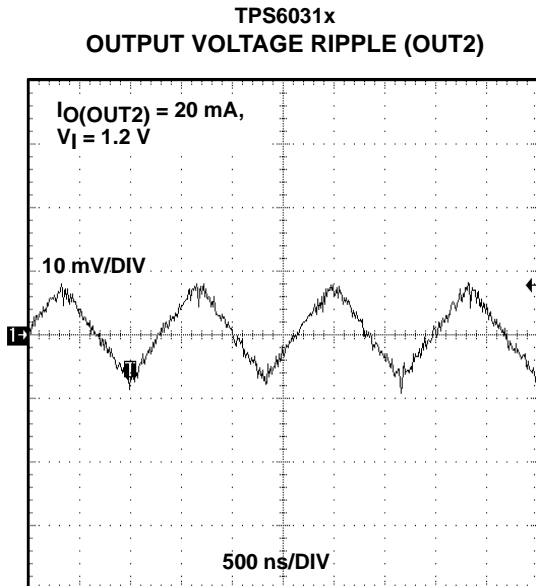


Figure 13

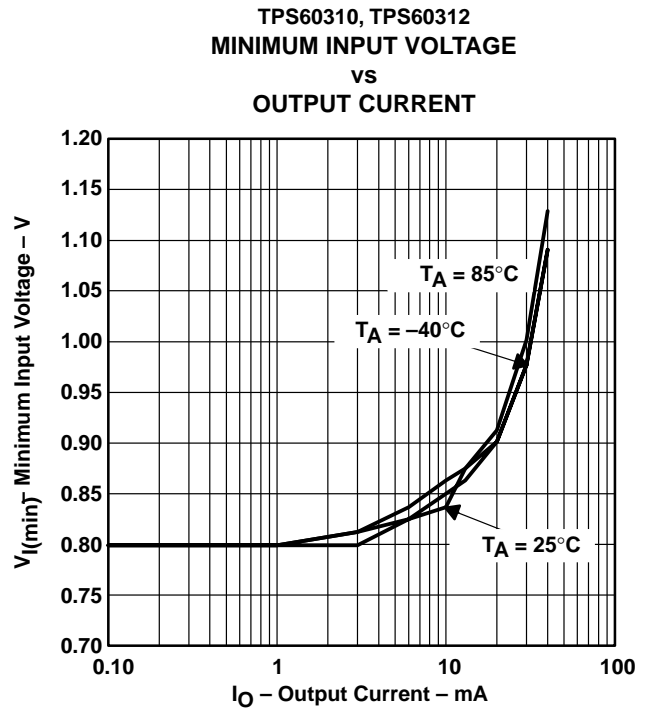


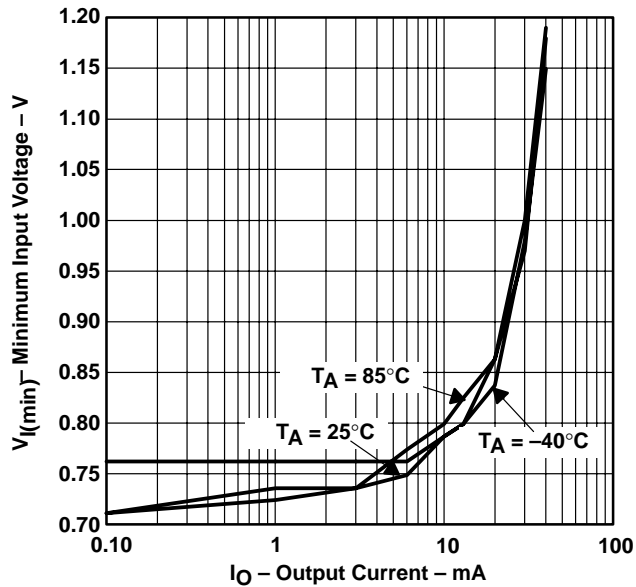
Figure 14

**TPS60310, TPS60311, TPS60312, TPS60313**  
**SINGLE-CELL TO 3-V/3.3-V, 20-mA DUAL OUTPUT,**  
**HIGH-EFFICIENCY CHARGE PUMP WITH SNOOZE MODE**

SLVS362A – MAY 2001 – REVISED AUGUST 2001

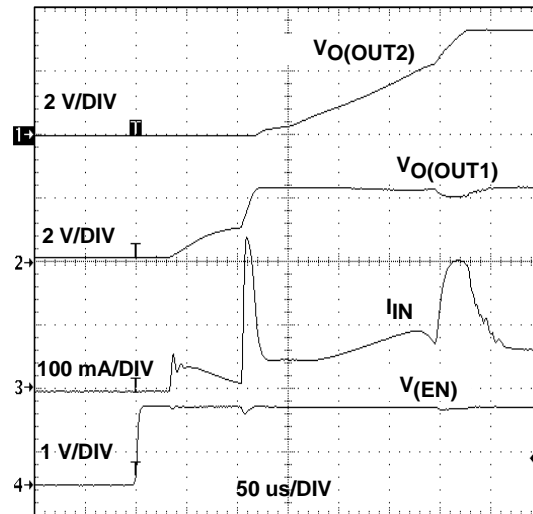
**TYPICAL CHARACTERISTICS**

**TPS60311, TPS60313**  
**MINIMUM INPUT VOLTAGE**  
**vs**  
**OUTPUT CURRENT**



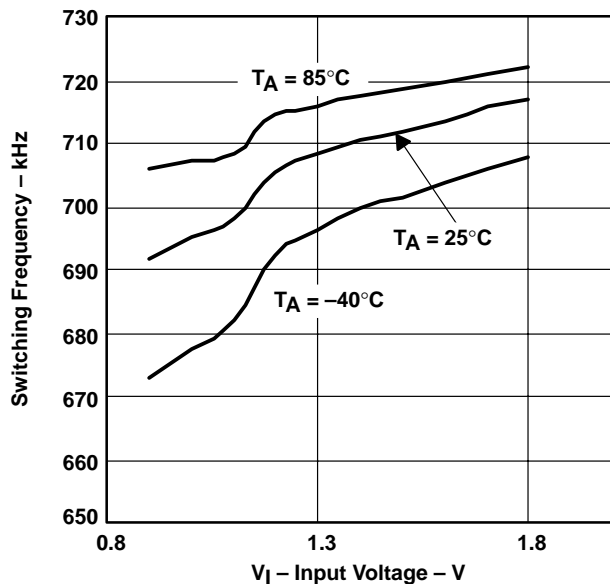
**Figure 15**

**START-UP TIMING ENABLE**



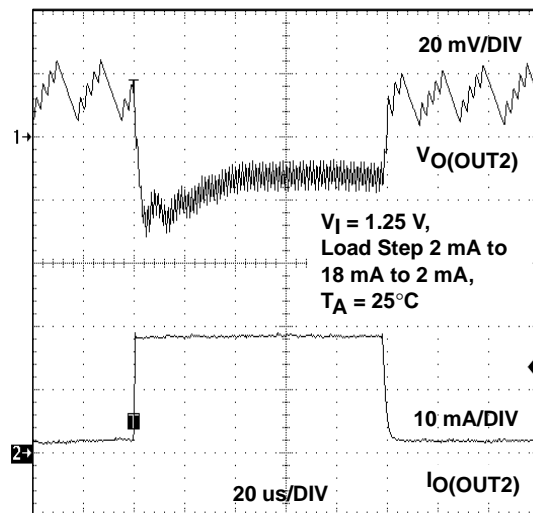
**Figure 16**

**SWITCHING FREQUENCY**  
**vs**  
**INPUT VOLTAGE**



**Figure 17**

**LOAD TRANSIENT RESPONSE**



**Figure 18**

TYPICAL CHARACTERISTICS

LINE TRANSIENT RESPONSE

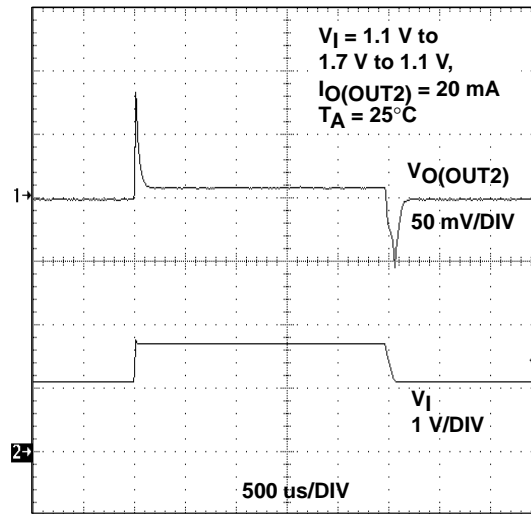


Figure 19

OUTPUT VOLTAGE  
 vs  
 TIME

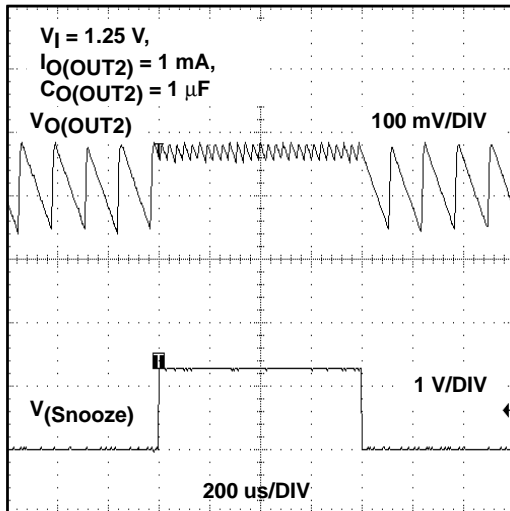


Figure 20

OUTPUT VOLTAGE RIPPLE IN SNOOZE MODE

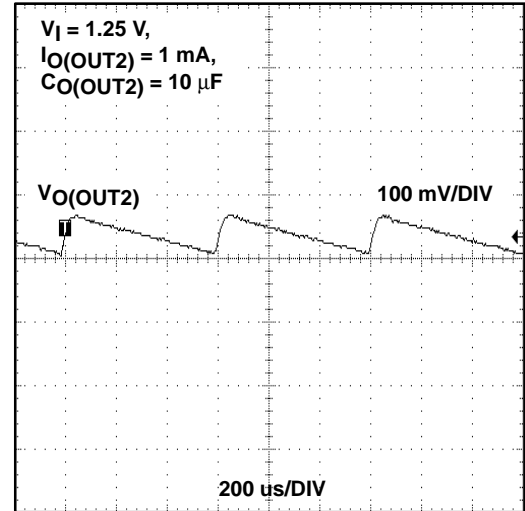


Figure 21

**TPS60310, TPS60311, TPS60312, TPS60313**  
**SINGLE-CELL TO 3-V/3.3-V, 20-mA DUAL OUTPUT,**  
**HIGH-EFFICIENCY CHARGE PUMP WITH SNOOZE MODE**

SLVS362A – MAY 2001 – REVISED AUGUST 2001

**APPLICATION INFORMATION**

**design procedure**

**capacitor selection**

The TPS6031X devices require only five external capacitors. Their values are closely linked to the required output current and the output noise and ripple requirements. It is possible to only use 1- $\mu$ F capacitors of the same type.

The input capacitor improves system efficiency by reducing the input impedance and stabilizing the input current.

The minimum required capacitance of the output capacitor ( $C_O$ ) that can be selected is 1  $\mu$ F. Depending on the maximum allowed output ripple voltage, larger values can be chosen. Table 1 shows capacitor values recommended for low output voltage ripple operation. A recommendation is given for the smallest size.

**Table 1. Recommended Capacitor Values for Low-Output Voltage Ripple Operation**

$V_{IN}$ [V]	$I_{O(OUT2)}$ [mA]	$C_{IN}$ [ $\mu$ F]	$C_{XF}$ [ $\mu$ F]	$C_{OUT}$ [ $\mu$ F]	$V_{P-P}$ [mV] AT 20 mA/ $V_{IN} = 1.1$ V
		CERAMIC	CERAMIC	CERAMIC	
0.9...1.8	0...20	1	1	1	16
0.9...1.8	0...20	1	1	2.2	10
0.9...1.8	0...20	1	1	10 // 0.1	6

**Table 2. Recommended Capacitors**

MANUFACTURER	PART NUMBER	SIZE	CAPACITANCE	TYPE
Taiyo Yuden	UMK212BJ104MG	0805	0.1 $\mu$ F	Ceramic
	LMK212BJ105KG	0805	1 $\mu$ F	Ceramic
	LMK212BJ225MG	0805	2.2 $\mu$ F	Ceramic
	JMK316BJ475KL	1206	4.7 $\mu$ F	Ceramic
AVX	0805ZC105KAT2A	0805	1 $\mu$ F	Ceramic
	1206ZC225KAT2A	1206	2.2 $\mu$ F	Ceramic

Table 3 lists the manufacturers of recommended capacitors. However, ceramic capacitors will provide the lowest output voltage ripple due to their typically lower ESR.

**Table 3. Recommended Capacitor Manufacturers**

MANUFACTURER	CAPACITOR TYPE	INTERNET
Taiyo Yuden	X7R/X5R ceramic	<a href="http://www.t-yuden.com">www.t-yuden.com</a>
AVX	X7R/X5R ceramic	<a href="http://www.avxcorp.com">www.avxcorp.com</a>
Vishay	X7R/X5R ceramic	<a href="http://www.vishay.com">www.vishay.com</a>
Kemet	X7R/X5R ceramic	<a href="http://www.kemet.com">www.kemet.com</a>
TDK	X7R/X5R ceramic	<a href="http://www.component.tdk.com">www.component.tdk.com</a>

APPLICATION INFORMATION

capacitor selection (continued)

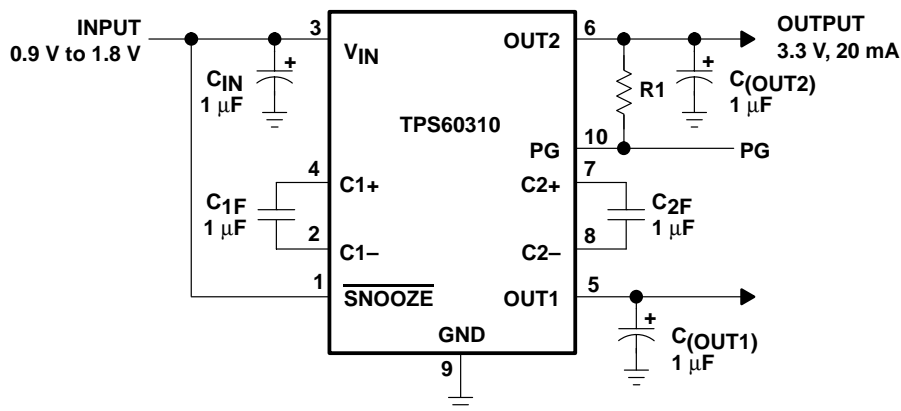


Figure 22. Typical Operating Circuit

For the maximum output current and best performance, five ceramic capacitors of 1  $\mu\text{F}$  are recommended. For lower currents or higher allowed output voltage ripple, other capacitors can be used. It is recommended that the input and output capacitors have a minimum value of 1  $\mu\text{F}$ . This value is necessary to assure a stable operation of the system due to the linear mode. With flying capacitors lower than 1  $\mu\text{F}$ , the maximum output power decreases. This means that the device works in the linear mode with lower output currents.

output filter design

The power-good output is capable of driving light loads up to 5 mA (see Figure 23). Therefore, the output resistance of the power-good pin with the output capacitor, can be used as an RC-filter.

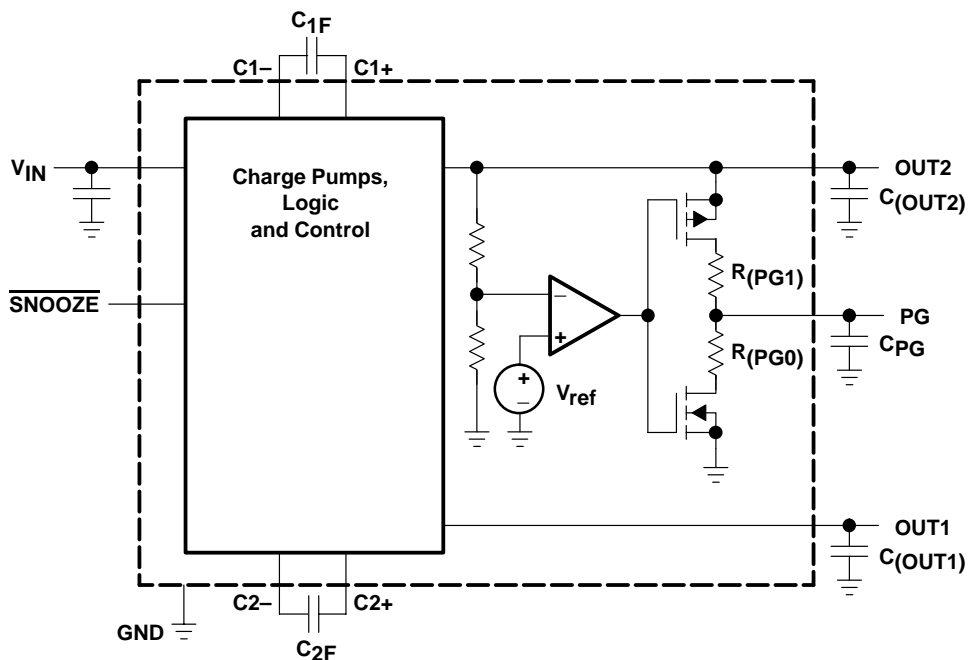


Figure 23. TPS60312, TPS60313 Push-Pull Power-Good Output-Stage as Filtered Supply

**TPS60310, TPS60311, TPS60312, TPS60313**  
**SINGLE-CELL TO 3-V/3.3-V, 20-mA DUAL OUTPUT,**  
**HIGH-EFFICIENCY CHARGE PUMP WITH SNOOZE MODE**

SLVS362A – MAY 2001 – REVISED AUGUST 2001

**APPLICATION INFORMATION**

**output filter design (continued)**

Due to  $R_{(PG,1)}$ , an output filter can easily be formed with an output capacitor ( $C_{PG}$ ). Cutoff frequency is given by:

$$f_c = \frac{1}{2\pi R_{(PG,1)} C_{PG}} \tag{1}$$

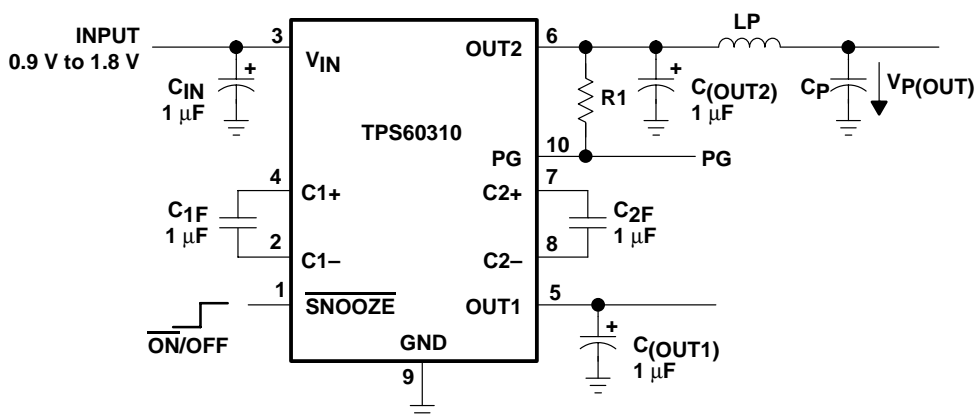
and ratio  $V_O/V_I$  for the ac ripple is:

$$\left| \frac{V_{(PG,1)}}{V_{O(OUT2)}} \right| = \frac{1}{\sqrt{1 + \left( 2\pi f R_{(PG,1)} C_{PG} \right)^2}} \tag{2}$$

with  $R_{(PG,1)} = 15 \Omega$ ,  $C_{PG} = 0.1 \mu\text{F}$ , and  $f = 600 \text{ kHz}$  (at nominal switching frequency)

$$\left| \frac{V_{(PG,1)}}{V_{O(OUT2)}} \right| = 0.175 \tag{3}$$

Load current sourced by power-good output reduces maximum output current at OUT2. During start-up (power-good going high) current charging  $C_{PG}$  discharges  $C_{(OUT2)}$ . Therefore,  $C_{PG}$  must not be larger than  $C_{PG} \leq 0.1 C_{(OUT2)}$  or the device does not start. By charging  $C_{PG}$  through  $C_{(OUT2)}$ , the output voltage at OUT2 decreases. If the capacitance of  $C_{PG}$  is too large, the circuit detects power bad. The power-good output goes low and discharges  $C_{PG}$ . Then the cycle starts again. Figure 24 shows a configuration with an LC-post filter to further reduce output ripple and noise.



**Figure 24. LC-Post Filter**

**Table 4. Recommended Values for Lowest Output Voltage Ripple**

$V_{IN}$ [V]	$I_{O(OUT2)}$ [mA]	$C_{IN}[\mu\text{F}]$ CERAMIC	$C_{XF}[\mu\text{F}]$ CERAMIC	$C_{OUT}[\mu\text{F}]$ CERAMIC	$L_P[\mu\text{H}]$	$C_P[\mu\text{F}]$ CERAMIC	$V_{P(OUT)}$ $V_{p-p}[\text{mV}]$
0.9...1.8	20	1	1	1	0.1	0.1 (X7R)	16
0.9...1.8	20	1	1	1	0.1	1 // 0.1 (X7R)	12
0.9...1.8	20	1	1	1	1	0.1 (X7R)	14
0.9...1.8	20	1	1	1	1	1 // 0.1 (X7R)	3



## APPLICATION INFORMATION

### output filter design (continued)

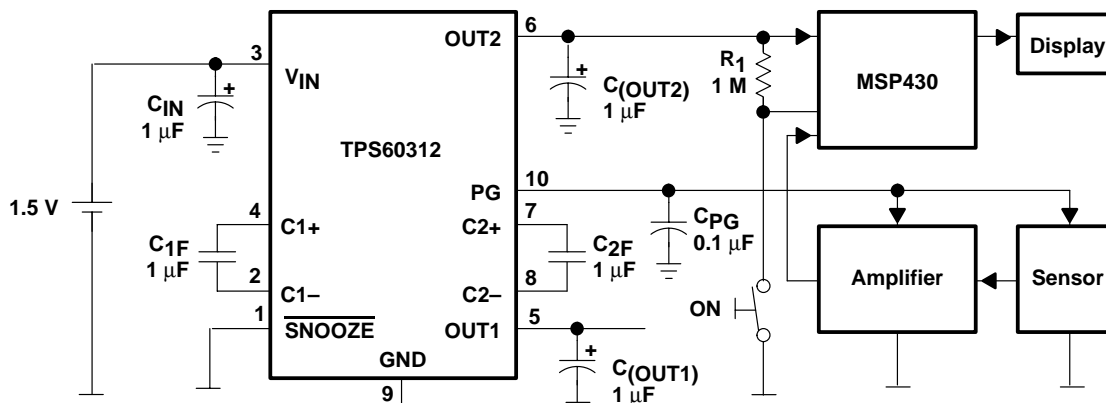


Figure 25. Application With MSP430; PG as Supply for Analog Circuits

### power dissipation

As given in the data sheet, the thermal resistance of the unsoldered package is  $R_{\theta JA} = 294^{\circ}\text{C}/\text{W}$ . Soldered on the EVM, a typical thermal resistance of  $R_{\theta JA(\text{EVM})} = 200^{\circ}\text{C}/\text{W}$  was measured.

The thermal resistance can be calculated using equation 4.

$$R_{\theta JA} = \frac{T_J - T_A}{P_D} \quad (4)$$

Where:

$T_J$  is the junction temperature.

$T_A$  is the ambient temperature.

$P_D$  is the power that needs to be dissipated by the device.

The maximum power dissipation can be calculated using equation 5.

$$P_D = V_{IN} \times I_{IN} - V_O \times I_O = V_{IN(\text{max})} \times (3 \times I_O + I_{(\text{SUPPLY})}) - V_O \times I_O \quad (5)$$

The maximum power dissipation happens with maximum input voltage and maximum output current:

At maximum load the supply current is approximately 2 mA.

$$P_D = 1.8 \text{ V} \times (3 \times 20 \text{ mA} + 2 \text{ mA}) - 3.3 \text{ V} \times 20 \text{ mA} = 46 \text{ mW} \quad (6)$$

With this maximum rating and the thermal resistance of the device on the EVM, the maximum temperature rise above ambient temperature can be calculated using equation 7.

$$\Delta T_J = R_{\theta JA} \times P_D = 200^{\circ}\text{C}/\text{W} \times 46 \text{ mW} = 10^{\circ}\text{C} \quad (7)$$

This means that internal dissipation increases  $T_J$  by  $10^{\circ}\text{C}$ .

The junction temperature of the device must not exceed  $125^{\circ}\text{C}$ .

This means the IC can easily be used at ambient temperatures up to:

$$T_A = T_{J(\text{max})} - \Delta T_J = 125^{\circ}\text{C} - 10^{\circ}\text{C} = 115^{\circ}\text{C} \quad (8)$$

### layout and board space

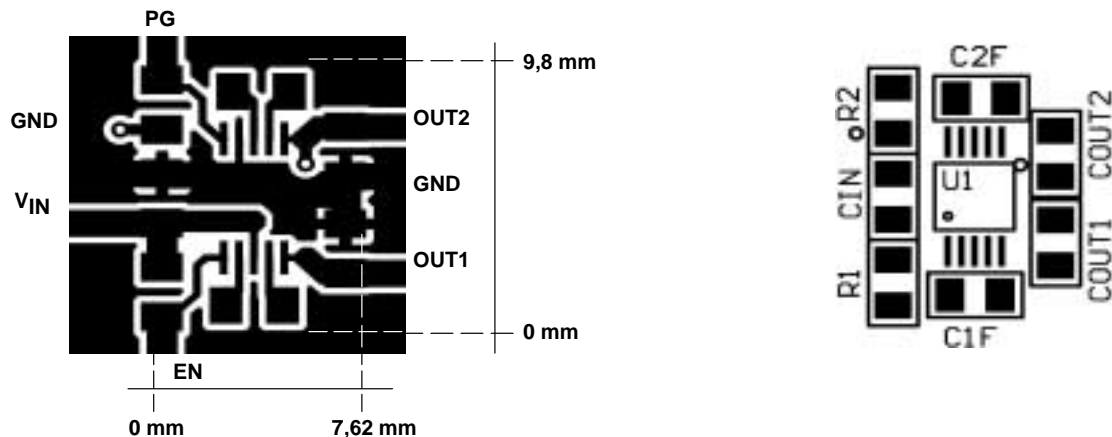
All capacitors should be soldered as close as possible to the IC. A PCB layout proposal for a two-layer board is shown in Figure 26. Care has been taken to connect all capacitors as close as possible to the circuit to achieve optimized output voltage ripple performance. The bottom layer is not shown in Figure 26. It only consists of a ground-plane with a single track between the two vias that can be seen in the left part of the top layer.

**TPS60310, TPS60311, TPS60312, TPS60313**  
**SINGLE-CELL TO 3-V/3.3-V, 20-mA DUAL OUTPUT,**  
**HIGH-EFFICIENCY CHARGE PUMP WITH SNOOZE MODE**

SLVS362A – MAY 2001 – REVISED AUGUST 2001

**APPLICATION INFORMATION**

**layout and board space (continued)**



**Figure 26. Recommended PCB Layout for TPS6031X (top layer)**

**device family products**

Other charge pump dc-dc converters in this family are:

**Table 5. Product Identification**

PART NUMBER	DESCRIPTION
TPS60100	2-cell to regulated 3.3-V, 200-mA low-noise charge pump
TPS60101	2-cell to regulated 3.3-V, 100-mA low-noise charge pump
TPS60110	3-cell to regulated 5-V, 300-mA low-noise charge pump
TPS60111	3-cell to regulated 5-V, 150-mA low-noise charge pump
TPS60120	2-cell to regulated 3.3-V, 200-mA high-efficiency charge pump with low-battery comparator
TPS60121	2-cell to regulated 3.3-V, 200-mA high-efficiency charge pump with power-good comparator
TPS60122	2-cell to regulated 3.3-V, 100-mA high-efficiency charge pump with low-battery comparator
TPS60123	2-cell to regulated 3.3-V, 100-mA high-efficiency charge pump with power-good comparator
TPS60124	2-cell to regulated 3-V, 200-mA high-efficiency charge pump with low-battery comparator
TPS60125	2-cell to regulated 3-V, 200-mA high-efficiency charge pump with power-good comparator
TPS60130	3-cell to regulated 5-V, 300-mA high-efficiency charge pump with low-battery comparator
TPS60131	3-cell to regulated 5-V, 300-mA high-efficiency charge pump with power-good comparator
TPS60132	3-cell to regulated 5-V, 150-mA high-efficiency charge pump with low-battery comparator
TPS60133	3-cell to regulated 5-V, 150-mA high-efficiency charge pump with power-good comparator
TPS60140	2-cell to regulated 5-V, 100-mA charge pump voltage tripler with low-battery comparator
TPS60141	2-cell to regulated 5-V, 100-mA charge pump voltage tripler with power-good comparator
TPS60200	2-cell to regulated 3.3-V, 100-mA low-ripple charge pump with low-battery comparator in MSOP10
TPS60201	2-cell to regulated 3.3-V, 100-mA low-ripple charge pump with power-good comparator in MSOP10
TPS60202	2-cell to regulated 3.3-V, 50-mA low-ripple charge pump with low-battery comparator in MSOP10
TPS60203	2-cell to regulated 3.3-V, 50-mA low-ripple charge pump with power-good comparator in MSOP10
TPS60210	2-cell to regulated 3.3-V, 100-mA low-ripple charge pump with ultralow operating current and low-battery comparator in MSOP10
TPS60211	2-cell to regulated 3.3-V, 100-mA low-ripple charge pump with ultralow operating current and power-good comparator in MSOP10
TPS60212	2-cell to regulated 3.3-V, 100-mA low-ripple charge pump with ultralow operating current and low-battery comparator in MSOP10
TPS60213	2-cell to regulated 3.3-V, 50-mA low-ripple charge pump with ultralow operating current and power-good comparator in MSOP10

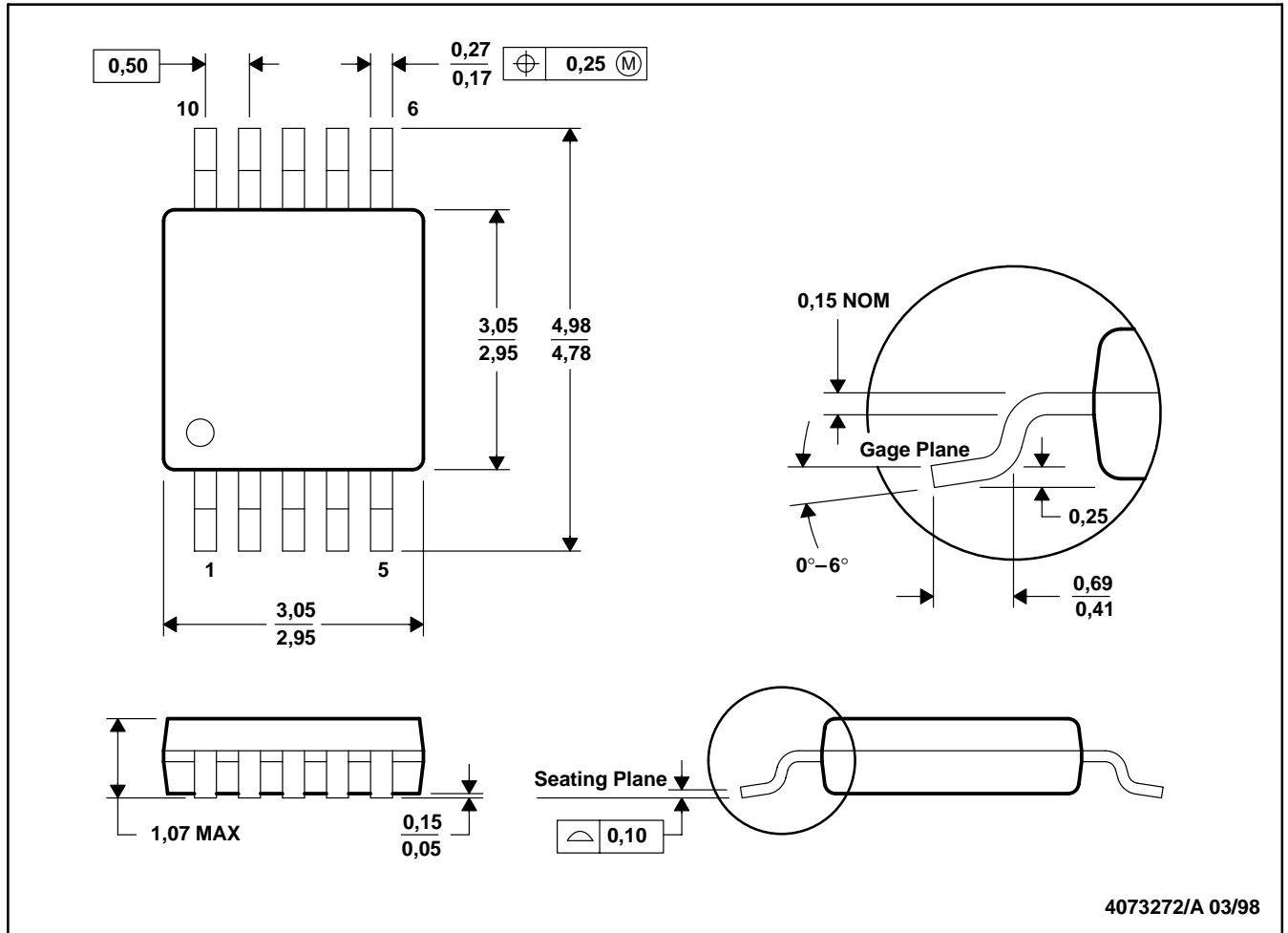
TPS60310, TPS60311, TPS60312, TPS60313  
 SINGLE-CELL TO 3-V/3.3-V, 20-mA DUAL OUTPUT,  
 HIGH-EFFICIENCY CHARGE PUMP WITH SNOOZE MODE

SLVS362A – MAY 2001 – REVISED AUGUST 2001

MECHANICAL DATA

DGS (S-DPS-G10)

PLASTIC SMALL-OUTLINE PACKAGE



4073272/A 03/98

- NOTES: A. All linear dimensions are in millimeters.  
 B. This drawing is subject to change without notice.  
 C. Body dimensions do not include mold flash or protrusion.

PACKAGING INFORMATION

Orderable Device	Status <sup>(1)</sup>	Package Type	Package Drawing	Pins	Package Qty	Eco Plan <sup>(2)</sup>	Lead/Ball Finish	MSL Peak Temp <sup>(3)</sup>
TPS60310DGS	ACTIVE	MSOP	DGS	10	80	Green (RoHS & no Sb/Br)	CU NIPDAU	Level-1-260C-UNLIM
TPS60310DGSG4	ACTIVE	MSOP	DGS	10	80	Green (RoHS & no Sb/Br)	CU NIPDAU	Level-1-260C-UNLIM
TPS60310DGSR	ACTIVE	MSOP	DGS	10	2500	Green (RoHS & no Sb/Br)	CU NIPDAU	Level-1-260C-UNLIM
TPS60310DGSRG4	ACTIVE	MSOP	DGS	10	2500	Green (RoHS & no Sb/Br)	CU NIPDAU	Level-1-260C-UNLIM
TPS60311DGS	ACTIVE	MSOP	DGS	10	80	Green (RoHS & no Sb/Br)	CU NIPDAU	Level-1-260C-UNLIM
TPS60311DGSG4	ACTIVE	MSOP	DGS	10	80	Green (RoHS & no Sb/Br)	CU NIPDAU	Level-1-260C-UNLIM
TPS60311DGSR	ACTIVE	MSOP	DGS	10	2500	Green (RoHS & no Sb/Br)	CU NIPDAU	Level-1-260C-UNLIM
TPS60311DGSRG4	ACTIVE	MSOP	DGS	10	2500	Green (RoHS & no Sb/Br)	CU NIPDAU	Level-1-260C-UNLIM
TPS60312DGS	ACTIVE	MSOP	DGS	10	80	Green (RoHS & no Sb/Br)	CU NIPDAU	Level-1-260C-UNLIM
TPS60312DGSR	ACTIVE	MSOP	DGS	10	2500	Green (RoHS & no Sb/Br)	CU NIPDAU	Level-1-260C-UNLIM
TPS60312DGSRG4	ACTIVE	MSOP	DGS	10	2500	Green (RoHS & no Sb/Br)	CU NIPDAU	Level-1-260C-UNLIM
TPS60313DGS	ACTIVE	MSOP	DGS	10	80	Green (RoHS & no Sb/Br)	CU NIPDAU	Level-1-260C-UNLIM
TPS60313DGSG4	ACTIVE	MSOP	DGS	10	80	Green (RoHS & no Sb/Br)	CU NIPDAU	Level-1-260C-UNLIM
TPS60313DGSR	ACTIVE	MSOP	DGS	10	2500	Green (RoHS & no Sb/Br)	CU NIPDAU	Level-1-260C-UNLIM
TPS60313DGSRG4	ACTIVE	MSOP	DGS	10	2500	Green (RoHS & no Sb/Br)	CU NIPDAU	Level-1-260C-UNLIM

<sup>(1)</sup> The marketing status values are defined as follows:

**ACTIVE:** Product device recommended for new designs.

**LIFEBUY:** TI has announced that the device will be discontinued, and a lifetime-buy period is in effect.

**NRND:** Not recommended for new designs. Device is in production to support existing customers, but TI does not recommend using this part in a new design.

**PREVIEW:** Device has been announced but is not in production. Samples may or may not be available.

**OBSELETE:** TI has discontinued the production of the device.

<sup>(2)</sup> Eco Plan - The planned eco-friendly classification: Pb-Free (RoHS), Pb-Free (RoHS Exempt), or Green (RoHS & no Sb/Br) - please check <http://www.ti.com/productcontent> for the latest availability information and additional product content details.

**TBD:** The Pb-Free/Green conversion plan has not been defined.

**Pb-Free (RoHS):** TI's terms "Lead-Free" or "Pb-Free" mean semiconductor products that are compatible with the current RoHS requirements for all 6 substances, including the requirement that lead not exceed 0.1% by weight in homogeneous materials. Where designed to be soldered at high temperatures, TI Pb-Free products are suitable for use in specified lead-free processes.

**Pb-Free (RoHS Exempt):** This component has a RoHS exemption for either 1) lead-based flip-chip solder bumps used between the die and package, or 2) lead-based die adhesive used between the die and leadframe. The component is otherwise considered Pb-Free (RoHS compatible) as defined above.

**Green (RoHS & no Sb/Br):** TI defines "Green" to mean Pb-Free (RoHS compatible), and free of Bromine (Br) and Antimony (Sb) based flame retardants (Br or Sb do not exceed 0.1% by weight in homogeneous material)

<sup>(3)</sup> MSL, Peak Temp. -- The Moisture Sensitivity Level rating according to the JEDEC industry standard classifications, and peak solder temperature.

**Important Information and Disclaimer:**The information provided on this page represents TI's knowledge and belief as of the date that it is provided. TI bases its knowledge and belief on information provided by third parties, and makes no representation or warranty as to the accuracy of such information. Efforts are underway to better integrate information from third parties. TI has taken and continues to take reasonable steps to provide representative and accurate information but may not have conducted destructive testing or chemical analysis on incoming materials and chemicals. TI and TI suppliers consider certain information to be proprietary, and thus CAS numbers and other limited information may not be available for release.

In no event shall TI's liability arising out of such information exceed the total purchase price of the TI part(s) at issue in this document sold by TI to Customer on an annual basis.

**TAPE AND REEL INFORMATION**



**QUADRANT ASSIGNMENTS FOR PIN 1 ORIENTATION IN TAPE**



\*All dimensions are nominal

Device	Package Type	Package Drawing	Pins	SPQ	Reel Diameter (mm)	Reel Width W1 (mm)	A0 (mm)	B0 (mm)	K0 (mm)	P1 (mm)	W (mm)	Pin1 Quadrant
TPS60310DGSR	MSOP	DGS	10	2500	330.0	12.4	5.3	3.4	1.4	8.0	12.0	Q1
TPS60311DGSR	MSOP	DGS	10	2500	330.0	12.4	5.3	3.4	1.4	8.0	12.0	Q1
TPS60312DGSR	MSOP	DGS	10	2500	330.0	12.4	5.3	3.4	1.4	8.0	12.0	Q1
TPS60313DGSR	MSOP	DGS	10	2500	330.0	12.4	5.3	3.4	1.4	8.0	12.0	Q1

**TAPE AND REEL BOX DIMENSIONS**



\*All dimensions are nominal

Device	Package Type	Package Drawing	Pins	SPQ	Length (mm)	Width (mm)	Height (mm)
TPS60310DGSR	MSOP	DGS	10	2500	340.5	338.1	20.6
TPS60311DGSR	MSOP	DGS	10	2500	340.5	338.1	20.6
TPS60312DGSR	MSOP	DGS	10	2500	340.5	338.1	20.6
TPS60313DGSR	MSOP	DGS	10	2500	340.5	338.1	20.6

## IMPORTANT NOTICE

Texas Instruments Incorporated and its subsidiaries (TI) reserve the right to make corrections, modifications, enhancements, improvements, and other changes to its products and services at any time and to discontinue any product or service without notice. Customers should obtain the latest relevant information before placing orders and should verify that such information is current and complete. All products are sold subject to TI's terms and conditions of sale supplied at the time of order acknowledgment.

TI warrants performance of its hardware products to the specifications applicable at the time of sale in accordance with TI's standard warranty. Testing and other quality control techniques are used to the extent TI deems necessary to support this warranty. Except where mandated by government requirements, testing of all parameters of each product is not necessarily performed.

TI assumes no liability for applications assistance or customer product design. Customers are responsible for their products and applications using TI components. To minimize the risks associated with customer products and applications, customers should provide adequate design and operating safeguards.

TI does not warrant or represent that any license, either express or implied, is granted under any TI patent right, copyright, mask work right, or other TI intellectual property right relating to any combination, machine, or process in which TI products or services are used. Information published by TI regarding third-party products or services does not constitute a license from TI to use such products or services or a warranty or endorsement thereof. Use of such information may require a license from a third party under the patents or other intellectual property of the third party, or a license from TI under the patents or other intellectual property of TI.

Reproduction of TI information in TI data books or data sheets is permissible only if reproduction is without alteration and is accompanied by all associated warranties, conditions, limitations, and notices. Reproduction of this information with alteration is an unfair and deceptive business practice. TI is not responsible or liable for such altered documentation. Information of third parties may be subject to additional restrictions.

Resale of TI products or services with statements different from or beyond the parameters stated by TI for that product or service voids all express and any implied warranties for the associated TI product or service and is an unfair and deceptive business practice. TI is not responsible or liable for any such statements.

TI products are not authorized for use in safety-critical applications (such as life support) where a failure of the TI product would reasonably be expected to cause severe personal injury or death, unless officers of the parties have executed an agreement specifically governing such use. Buyers represent that they have all necessary expertise in the safety and regulatory ramifications of their applications, and acknowledge and agree that they are solely responsible for all legal, regulatory and safety-related requirements concerning their products and any use of TI products in such safety-critical applications, notwithstanding any applications-related information or support that may be provided by TI. Further, Buyers must fully indemnify TI and its representatives against any damages arising out of the use of TI products in such safety-critical applications.

TI products are neither designed nor intended for use in military/aerospace applications or environments unless the TI products are specifically designated by TI as military-grade or "enhanced plastic." Only products designated by TI as military-grade meet military specifications. Buyers acknowledge and agree that any such use of TI products which TI has not designated as military-grade is solely at the Buyer's risk, and that they are solely responsible for compliance with all legal and regulatory requirements in connection with such use.

TI products are neither designed nor intended for use in automotive applications or environments unless the specific TI products are designated by TI as compliant with ISO/TS 16949 requirements. Buyers acknowledge and agree that, if they use any non-designated products in automotive applications, TI will not be responsible for any failure to meet such requirements.

Following are URLs where you can obtain information on other Texas Instruments products and application solutions:

### Products

Amplifiers	<a href="http://amplifier.ti.com">amplifier.ti.com</a>
Data Converters	<a href="http://dataconverter.ti.com">dataconverter.ti.com</a>
DSP	<a href="http://dsp.ti.com">dsp.ti.com</a>
Clocks and Timers	<a href="http://www.ti.com/clocks">www.ti.com/clocks</a>
Interface	<a href="http://interface.ti.com">interface.ti.com</a>
Logic	<a href="http://logic.ti.com">logic.ti.com</a>
Power Mgmt	<a href="http://power.ti.com">power.ti.com</a>
Microcontrollers	<a href="http://microcontroller.ti.com">microcontroller.ti.com</a>
RFID	<a href="http://www.ti-rfid.com">www.ti-rfid.com</a>
RF/IF and ZigBee® Solutions	<a href="http://www.ti.com/lprf">www.ti.com/lprf</a>

### Applications

Audio	<a href="http://www.ti.com/audio">www.ti.com/audio</a>
Automotive	<a href="http://www.ti.com/automotive">www.ti.com/automotive</a>
Broadband	<a href="http://www.ti.com/broadband">www.ti.com/broadband</a>
Digital Control	<a href="http://www.ti.com/digitalcontrol">www.ti.com/digitalcontrol</a>
Medical	<a href="http://www.ti.com/medical">www.ti.com/medical</a>
Military	<a href="http://www.ti.com/military">www.ti.com/military</a>
Optical Networking	<a href="http://www.ti.com/opticalnetwork">www.ti.com/opticalnetwork</a>
Security	<a href="http://www.ti.com/security">www.ti.com/security</a>
Telephony	<a href="http://www.ti.com/telephony">www.ti.com/telephony</a>
Video & Imaging	<a href="http://www.ti.com/video">www.ti.com/video</a>
Wireless	<a href="http://www.ti.com/wireless">www.ti.com/wireless</a>

Mailing Address: Texas Instruments, Post Office Box 655303, Dallas, Texas 75265  
Copyright © 2008, Texas Instruments Incorporated

[www.BDTIC.com/TI](http://www.BDTIC.com/TI)