

3V HBT TDMA Power Amplifier IC

TQ7625

Selected Electrical Characteristics

Test Conditions: $V_{CC} = +3.5V$, $T_C = 25^\circ C$, $V_{BIAS} = 2.75V$

Parameter	Min.	Typ.	Max.	Units	
Usable Frequency Range	1850		1910	MHz	
TDMA Output Power		28		dBm	
TDMA Power Added Efficiency		40		%	
ACP, Pout = +28 dBm		-30		dBc	
ALT, Pout = +28 dBm		-53		dBc	
Large Signal Gain		27.5		dB	
Small Signal Gain (Vmode=low)		26		dB	
Receive Band Noise		-92		dBm/30KHz	
Quiescent Current, uses V_{mode} Switching	Vmode= low	60		mA	
	Vmode= high	80		mA	
V_{mode} , Externally Switched.	$P_{OUT} \leq +15dBm$	0	0	0.3	V
	$P_{OUT} = +28dBm$	2.65	2.75	2.85	V
Second Harmonic, $P_{OUT} = +28dBm$		-45		dBc	
Third Harmonic, $P_{OUT} = +28dBm$		-55		dBc	

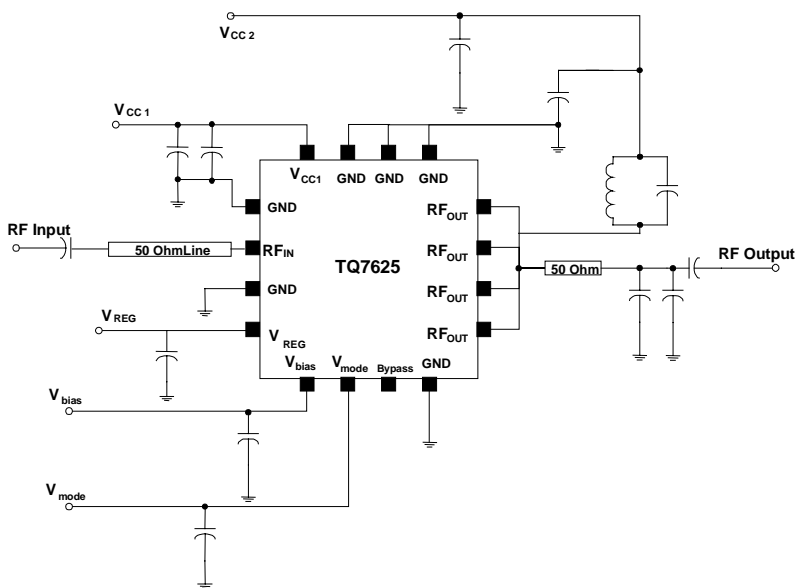
Primary Application(s)

- IS-136 Mobile Phones
- Dual Band Mobile phones

Key Features

- High Efficiency
- Low Quiescent Current, Mode Selectable
- Small size 3x3 mm leadless package
- Few external components
- Excellent ACP Performance
- Single +2.7V Supply

Application Circuit, US PCS Band



Package: 3x3 mm

Leadless 16 pin

