



# Industrial Current/Voltage Output Driver, Programmable Ranges

Preliminary Technical Data

**AD5750**

## FEATURES

**Current Output Ranges: 4–20mA, 0–20mA or 0–24mA, ±20ma, ±24ma**

**B Grade - 0.1% Total Unadjusted Error (TUE)**

**A Grade - 0.3% Total Unadjusted Error (TUE)**

**5ppm/°C Output Drift**

**Voltage Output Ranges: 0-5V, 0-10V, ±5V, ±10V, 20% over-range**

**B Grade - 0.1% Total Unadjusted Error (TUE)**

**A Grade - 0.3% Total Unadjusted Error (TUE)**

**Flexible Serial Digital Interface**

**On-Chip Output Fault Detection**

**PEC Error Checking**

**Asynchronous CLEAR Function**

**Power Supply Range**

**AV<sub>DD</sub> : = +12V to +24V (+/-10%)**

**AV<sub>SS</sub> : = -12V to -24V (+/-10%)**

**Output Loop Compliance to AV<sub>DD</sub> – 2.5 V**

**Temperature Range: -40°C to +105°C**

**LFCSP Packages**

## APPLICATIONS

**Process Control**

**Actuator Control**

**PLC**

## GENERAL DESCRIPTION

The AD5750 is a single channel, low-cost, precision, voltage/current output driver with hardware or software programmable output ranges. The software ranges are configured via an SPI/Microwire compatible serial interface. The AD5750 targets applications in PLC and industrial process control. The analog input to the AD5750 is provided from a low voltage, single supply digital-to-analog converter and is internally conditioned to provide the desired output current/voltage range.

The output current range is programmable across five current ranges - 4–20mA, 0–20mA or 0–24mA, ±20ma and ±24ma.

Voltage output is provided from a separate pin that can be configured to provide 0V to 5V, 0V to 10V, ±5V or ±10V output ranges. An over-range of 20% is available on the voltage ranges.

Analog outputs are short and open circuit protected and can drive capacitive loads of 1uF and inductive loads of 0.1H. The device is specified to operate with a power supply range from ±12 V to ±24 V. Output loop compliance is 0 V to AV<sub>DD</sub> – 2.5 V.

The flexible serial interface is SPI and MICROWIRE compatible and can be operated in 3-wire mode to minimize the digital isolation required in isolated applications. The interface also features an optional PEC error checking feature using CRC-8 error checking, useful in industrial environments where data communication corruption can occur.

The device also includes a power-on-reset function ensuring that the device powers up in a known state and an asynchronous CLEAR pin which sets the outputs to zero-scale / mid-scale voltage output or the low end of the selected current range.

A HW SELECT pin is used to configure the part for hardware or software mode on power up.

The total output error is typically ±0.1% in both current mode and voltage mode.

**Table 1. Related Devices**

| Part Number | Description  |
|-------------|--|
| AD5422      | Single Channel, 16-Bit, Serial Input Current Source and Voltage Output DAC |

Rev. PrC

Information furnished by Analog Devices is believed to be accurate and reliable. However, no responsibility is assumed by Analog Devices for its use, nor for any infringements of patents or other rights of third parties that may result from its use. Specifications subject to change without notice. No license is granted by implication or otherwise under any patent or patent rights of Analog Devices. Trademarks and registered trademarks are the property of their respective owners.

One Technology Way, P.O. Box 9106, Norwood, MA 02062-9106, U.S.A.  
Tel: 781.329.4700 [www.analog.com](http://www.analog.com)  
Fax: 781.461.3113 ©2008 Analog Devices, Inc. All rights reserved.

## TABLE OF CONTENTS

|  |    |  |    |
|--|----|--|----|
| Features .....                                   | 1  | HARDWARE CONTROL: .....                      | 20 |
| Applications.....                                | 1  | Transfer Function .....                      | 21 |
| General Description .....                        | 1  | Features .....                               | 22 |
| Revision History .....                           | 2  | output fault alert – SOFTWARE MODE .....     | 22 |
| Functional Block Diagram .....                   | 3  | output fault alert – HARDWARE MODE.....      | 22 |
| Specifications.....                              | 4  | voltage output short circuit protection..... | 22 |
| Timing Characteristics .....                     | 8  | Asynchronous Clear (CLEAR) .....             | 22 |
| Absolute Maximum Ratings.....                    | 10 | External current setting resistor .....      | 22 |
| ESD Caution.....                                 | 10 | Applications Information .....               | 24 |
| Pin Configuration and Function Descriptions..... | 11 | Transient voltage protection .....           | 24 |
| Typical Performance Characteristics .....        | 13 | Layout Guidelines.....                       | 24 |
| Terminology .....                                | 14 | Galvanically Isolated Interface .....        | 24 |
| Theory of Operation .....                        | 15 | Microprocessor Interfacing.....              | 24 |
| CURRENT OUTPUT Architecture.....                 | 17 | Outline Dimensions .....                     | 25 |
| OUTEN.....                                       | 17 | Ordering Guide .....                         | 25 |
| Software control:.....                           | 18 |  |    |

## REVISION HISTORY

PrC – Preliminary Version. May 6, 2008

---

# FUNCTIONAL BLOCK DIAGRAM

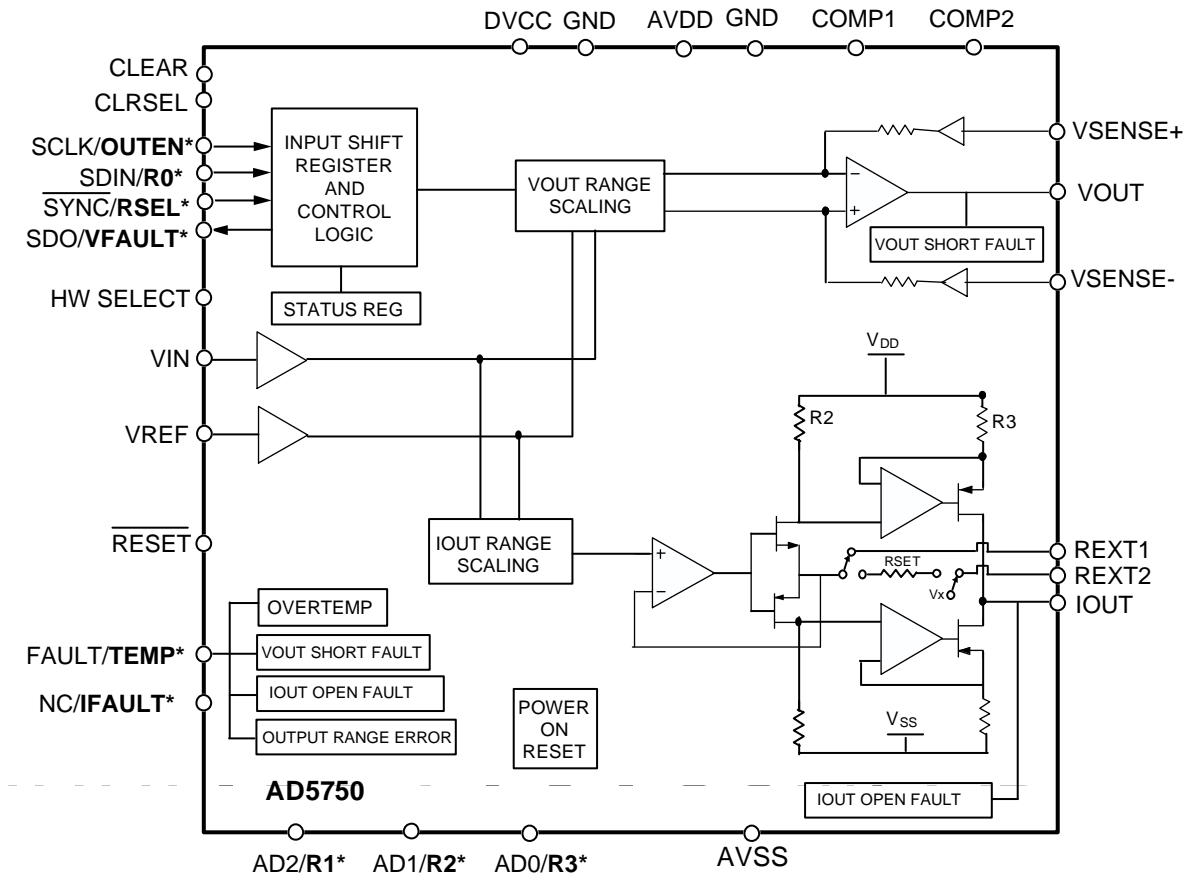


Figure 1. Functional Block Diagram

\* Denotes shared pin. Software mode denoted by regular text, hardware mode denoted by **bold** text. E.G. for **FAULT/TEMP\*** pin, in software mode this pin will take on **FAULT** function. In Hardware mode, this pin will take on **TEMP** function.

## SPECIFICATIONS

$AV_{DD}/AV_{SS} = \pm 12V$  (+/-10%) to  $\pm 24V$  (+/-10%),  $DV_{CC} = 2.7V$  to  $5.5V$ ,  $GND = 0V$ ,  $R_L = 2k\Omega$ ,  $C_L = 200pF$ ,  $I_{OUT} : R_L = 300\Omega$ ,  $H_L = 50mH$ ; All specifications  $T_{MIN}$  to  $T_{MAX}$ , unless otherwise noted.

Table 2.

| Parameter                     | B grade <sup>1</sup> | A grade <sup>2</sup> | Unit          | Test Conditions/Comments                                      |
|-------------------------------|----------------------|----------------------|---------------|---|
| <b>INPUT VOLTAGE RANGE</b>    | 0 to 4.096           | 0 to 4.096           | V             |   |
| Input Leakage Current         | 1                    | 1                    | $\mu A$ max   |   |
| <b>VOLTAGE OUTPUT</b>         |                      |                      |               |   |
| Output Voltage Ranges         | 0 to 5               | 0 to 5               | V             |   |
|                               | 0 to 10              | 0 to 10              | V             | AVDD needs to have minimum 1.1v headroom, or > +11.1v.        |
|                               | -5 to +5             | -5 to +5             | V             |   |
|                               | -10 to +10           | -10 to +10           | V             | AVDD/AVSS needs to have minimum 1.1v headroom, or > +/-11.1v. |
| <b>ACCURACY</b>               |                      |                      |               | Output unloaded   |
| Bipolar Output                |                      |                      |               |   |
| Total Unadjusted Error (TUE)  | 0.1                  | 0.3                  | % FSR max     | Over temperature and supplies.                                |
| Relative Accuracy (INL)       | $\pm 0.02$           | $\pm 0.02$           | % FSR max     |   |
| Bipolar Zero Error            | 0.01                 | 0.01                 | % FSR typ     | Error at analog input = mid scale                             |
| Bipolar Zero TC               | TBD                  | TBD                  | ppm % FSR max |   |
| Offset Error                  | 0.015                | 0.015                | % FSR typ     | Error at analog input = 10mv                                  |
| Zero Scale Error              | 0.015                | 0.015                | % FSR typ     | Error at analog input = 0.0v                                  |
| Zero Scale TC                 | TBD                  | TBD                  | ppm % FSR max |   |
| Gain Error                    | 0.005                | 0.005                | % FSR typ     | (Ideal Span – Measured Span)/Ideal Span                       |
| Gain Error TC                 | TBD                  | TBD                  | ppm % FSR max |   |
| Full Scale Error              | 0.015                | 0.015                | % FSR typ     | Error at analog input = 4.096v (FS)                           |
| Full Scale Error TC           | TBD                  | TBD                  | ppm % FSR max |   |
| Unipolar Output               |                      |                      |               |   |
| Total Unadjusted Error (TUE)  | 0.1                  | 0.1                  | % FSR max     | Over temperature and supplies.                                |
| Relative Accuracy (INL)       | $\pm 0.02$           | $\pm 0.02$           | % FSR max     |   |
| Offset Error                  | 0.01                 | 0.01                 | % FSR typ     | Error at analog input = 10mv                                  |
| Zero Scale Error              | 0.015                | 0.015                | % FSR typ     | Error at analog input = 0.0v                                  |
| Zero Scale TC                 | TBD                  | TBD                  | ppm % FSR max |   |
| Gain Error                    | 0.003                | 0.003                | % FSR typ     | (Ideal Span – Measured Span)/Ideal Span                       |
| Gain Error TC                 | TBD                  | TBD                  | ppm % FSR max |   |
| Full Scale Error              | 0.01                 | 0.01                 | % FSR typ     | Error at analog input = 4.096v (FS)                           |
| Full Scale Error TC           | TBD                  | TBD                  | ppm % FSR max |   |
| Output Voltage Over-Ranges    | 0 to 6               | 0 to 6               | V             | Programmable Over-Ranges. See Features Section.               |
|                               | 0 to 12              | 0 to 12              | V             |   |
|                               | -6 to +6             | -6 to +6             | V             |   |
|                               | -12 to +12           | -12 to +12           | V             |   |
| Overrange                     | $\pm 0.02$           | $\pm 0.02$           | % FSR max     |   |
| Relative Accuracy (INL)       |                      |                      |               |   |
| <b>OUTPUT CHARACTERISTICS</b> |                      |                      |               |   |

| Parameter                     | B grade <sup>1</sup> | A grade <sup>2</sup> | Unit          | Test Conditions/Comments                                    |
|-------------------------------|----------------------|----------------------|---------------|---|
| Short-Circuit Current         | 15                   | 15                   | mA max        |   |
| Load Conditions               |                      |                      |               |   |
| Resistance                    | 1                    | 1                    | K Ohm min     | For Specified Performance                                   |
| Capacitance Load Stability    |                      |                      |               |   |
| R <sub>L</sub> = ∞            | 20                   | 20                   | nF max        |   |
| R <sub>L</sub> = 2 kΩ         | TBD                  | TBD                  | nF max        |   |
| R <sub>L</sub> = ∞            | 1                    | 1                    | μF max        | External compensation capacitor of 4nF connected.           |
| 0.1% Settling Time            | 10                   | 10                   | Us            | Specified with 200pF load                                   |
| Slew Rate                     | 1                    | 1                    | V/μs typ      |   |
| Output Noise                  | TBD                  | TBD                  | μV rms max    | 0.1 Hz to 10 Hz Bandwidth                                   |
|                               | 80                   | 80                   | μV rms max    | 100 kHz Bandwidth   |
| Output Noise Spectral Density | 100                  | 100                  | nV/√Hz typ    | Measured at 10KHz   |
| DC Output Impedance           | 0.3                  | 0.3                  | Ω typ         |   |
| DC PSRR                       | 10                   | 10                   | μV/V          |   |
| AC PSRR                       | TBD                  | TBD                  | dB            | 200mV 50/60Hz Sinewavesuperimposed on power supply voltage. |
| Power-On Glitch Energy        | 10                   | 10                   | nV-sec typ    |   |
| <b>CURRENT OUTPUT</b>         |                      |                      |               |   |
| Output Current Ranges         | 0 to 24              | 0 to 24              | mA            |   |
|                               | 0 to 20              | 0 to 20              | mA            |   |
|                               | 4 to 20              | 4 to 20              | mA            |   |
|                               | ±20                  | ±20                  | mA            |   |
|                               | ±24                  | ±24                  | mA            |   |
| <b>ACCURACY</b>               |                      |                      |               |   |
| Total Unadjusted Error (TUE)  | ±0.1                 | ±0.3                 | % FSR max     | With External Precision Resistor                            |
| TUE TC                        | ±5                   | ±5                   | ppm max       | With External Precision Resistor                            |
| <b>Bipolar Output</b>         |                      |                      |               |   |
| Relative Accuracy (INL)       | ±0.02                | ±0.02                | % FSR max     |   |
| Bipolar Zero Error            | 0.0325               | 0.0325               | % FSR typ     | Error at analog input = mid scale                           |
| Bipolar Zero TC               | TBD                  | TBD                  | ppm % FSR max |   |
| Offset Error                  | 0.0175               | 0.0175               | % FSR typ     | Error at analog input = 10mv                                |
| Zero Scale Error              | 0.0175               | 0.0175               | % FSR typ     | Error at analog input = 0.0v                                |
| Zero Scale TC                 | TBD                  | TBD                  | ppm % FSR max |   |
| Gain Error                    | 0.01                 | 0.01                 | % FSR typ     | (Ideal Span – Measured Span)/Ideal Span                     |
| Gain Error TC                 | TBD                  | TBD                  | ppm % FSR max |   |
| Full Scale Error              | 0.0125               | 0.0125               | % FSR typ     | Error at analog input = 4.096v (FS)                         |
| Full Scale Error TC           | TBD                  | TBD                  | ppm % FSR max |   |
| <b>Unipolar Output</b>        |                      |                      |               |   |
| Relative Accuracy (INL)       | ±0.02                | ±0.02                | % FSR max     |   |
| Offset Error                  | 0.01                 | 0.01                 | % FSR typ     | Error at analog input = 10mv                                |
| Zero Scale Error              | 0.01                 | 0.01                 | % FSR typ     | Error at analog input = 0.0v                                |
| Zero Scale TC                 | TBD                  | TBD                  | ppm % FSR max |   |
| Gain Error                    | 0.15                 | 0.15                 | % FSR typ     | (Ideal Span – Measured Span)/Ideal Span                     |
| Gain Error TC                 | TBD                  | TBD                  | ppm % FSR max |   |
| Full Scale Error              | 0.01                 | 0.01                 | % FSR typ     | Error at analog input = 4.096v (FS)                         |
| Full Scale Error TC           | TBD                  | TBD                  | ppm % FSR max |   |

| Parameter                           | B grade <sup>1</sup> | A grade <sup>2</sup> | Unit          | Test Conditions/Comments                           |
|-------------------------------------|----------------------|----------------------|---------------|--|
| Total Unadjusted Error (TUE)        | ±0.3                 | ±0.3                 | % FSR max     | With Internal Resistor                             |
| TUE TC                              | ±20                  | ±20                  | ppm typ       | With Internal Resistor                             |
|                                     | ±50                  | ±50                  | ppm max       |  |
| <b>Bipolar Output</b>               |                      |                      |               |  |
| Relative Accuracy (INL)             | ±0.02                | ±0.02                | % FSR max     |  |
| Bipolar Zero Error                  | 0.0325               | 0.0325               | % FSR typ     | Error at analog input = mid scale                  |
| Bipolar Zero TC                     | TBD                  | TBD                  | ppm % FSR max |  |
| Offset Error                        | 0.01                 | 0.01                 | % FSR typ     | Error at analog input = 10mv                       |
| Zero Scale Error                    | 0.01                 | 0.01                 | % FSR typ     | Error at analog input = 0.0v                       |
| Zero Scale TC                       | TBD                  | TBD                  | ppm % FSR max |  |
| Gain Error                          | 0.003                | 0.003                | % FSR typ     | (Ideal Span – Measured Span)/Ideal Span            |
| Gain Error TC                       | TBD                  | TBD                  | ppm % FSR max |  |
| Full Scale Error                    | 0.01                 | 0.01                 | % FSR typ     | Error at analog input = 4.096v (FS)                |
| Full Scale Error TC                 | TBD                  | TBD                  | ppm % FSR max |  |
| <b>Unipolar Output</b>              |                      |                      |               |  |
| Relative Accuracy (INL)             | ±0.02                | ±0.02                | % FSR max     |  |
| Offset Error                        | 0.01                 | 0.01                 | % FSR typ     | Error at analog input = 10mv                       |
| Zero Scale Error                    | 0.01                 | 0.01                 | % FSR typ     | Error at analog input = 0.0v                       |
| Zero Scale TC                       | TBD                  | TBD                  | ppm % FSR max |  |
| Gain Error                          | 0.005                | 0.005                | % FSR typ     | (Ideal Span – Measured Span)/Ideal Span            |
| Gain Error TC                       | TBD                  | TBD                  | ppm % FSR max |  |
| Full Scale Error                    | 0.01                 | 0.01                 | % FSR typ     | Error at analog input = 4.096v (FS)                |
| Full Scale Error TC                 | TBD                  | TBD                  | ppm % FSR max |  |
| <b>CURRENT MODE OVERRANGES</b>      |                      |                      |               |  |
|                                     | 0 to 24.5            | 0 to 24.5            | mA            | SEE FEATURES SECTION                               |
|                                     | 0 to 20.4            | 0 to 20.4            | mA            | SEE FEATURES SECTION                               |
|                                     | 4 to 20.4            | 4 to 20.4            | mA            | SEE FEATURES SECTION                               |
| <b>OUTPUT CHARACTERISTICS</b>       |                      |                      |               |  |
| Current Loop Compliance Voltage     | AVDD – 2.5           | AVDD – 2.5           | V max         |  |
| Resistive Load                      | See Comment          | See Comment          | kΩ max        | Chosen such that compliance is not exceeded.       |
| Inductive Load                      | 0.1                  | 0.1                  | H max         |  |
| 0.1% Settling Time                  | 10                   | 10                   | us            |  |
| DC PSRR                             | 1                    | 1                    | μA/V max      |  |
| Output Impedance                    | 25                   | 25                   | MΩ typ        |  |
| <b>REFERENCE INPUT</b>              |                      |                      |               |  |
| Reference Input                     |                      |                      |               |  |
| Reference Input Voltage             | 4.096                | 4.096                | V nom         | ±1% for specified performance                      |
| Input Leakage Current               | 1                    | 1                    | uA max        |  |
| <b>DIGITAL INPUTS</b>               |                      |                      |               |  |
| V <sub>H</sub> , Input High Voltage | 2                    | 2                    | V min         | DV <sub>CC</sub> = 2.7 V to 5.5 V, JEDEC compliant |
| V <sub>L</sub> , Input Low Voltage  | 0.8                  | 0.8                  | V max         |  |
| Input Current                       | ±1                   | ±1                   | μA max        | Per pin  |
| Pin Capacitance                     | 10                   | 10                   | pF typ        | Per pin  |

| Parameter                             | B grade <sup>1</sup>  | A grade <sup>2</sup>  | Unit           | Test Conditions/Comments   |
|---------------------------------------|-----------------------|-----------------------|----------------|--|
| <b>DIGITAL OUTPUTS</b>                |                       |                       |                |  |
| FAULT, IFAULT, TEMP, VFAULT           |                       |                       |                |  |
| V <sub>OL</sub> , Output Low Voltage  | 0.4                   | 0.4                   | V max          | 10kΩ pull-up resistor to DV <sub>CC</sub>                              |
| V <sub>OL</sub> , Output Low Voltage  | 0.6                   | 0.6                   | V typ          | @ 2.5 Ma   |
| V <sub>OH</sub> , Output High Voltage | 3.6                   | 3.6                   | V min          | 10kΩ pull-up resistor to DV <sub>CC</sub>                              |
| SDO                                   |                       |                       |                |  |
| V <sub>OL</sub> , Output Low Voltage  | 0.5                   | 0.5                   | V max          | Sinking 200ua  |
| V <sub>OH</sub> , Output High Voltage | DV <sub>CC</sub> -0.5 | DV <sub>CC</sub> -0.5 | V min          | Sourcing 200ua   |
| High Impedance Leakage current        | ±TBD                  | ±TBD                  | ua max         |  |
| High Impedance Output Capacitance     | 20                    | 20                    | pF max         |  |
| <b>POWER REQUIREMENTS</b>             |                       |                       |                |  |
| AV <sub>DD</sub>                      | 12 to 24              | 12 to 24              | V min to V max | +/-10%   |
| AV <sub>SS</sub>                      | -12 to 24             | -12 to 24             | V min to V max | +/-10%   |
| DV <sub>CC</sub>                      |                       |                       |                |  |
| Input Voltage                         | 2.7 to 5.5            | 2.7 to 5.5            | V min to V max | Internal supply disabled   |
| AV <sub>DD</sub>                      | TBD                   | TBD                   | mA             | Output unloaded  |
| AV <sub>SS</sub>                      | TBD                   | TBD                   | mA             | Output unloaded  |
| DI <sub>CC</sub>                      | TBD                   | TBD                   | mA max         | V <sub>IH</sub> = DV <sub>CC</sub> , V <sub>IL</sub> = GND, TBD mA typ |
| Power Dissipation                     | TBD                   | TBD                   | mW typ         |  |
|                                       |                       |                       |                |  |
|                                       |                       |                       |                |  |

<sup>1</sup> Temperature range: -40°C to +105°C; typical at +25°C.

<sup>2</sup> Temperature range: -40°C to +105°C; typical at +25°C.

**TIMING CHARACTERISTICS**

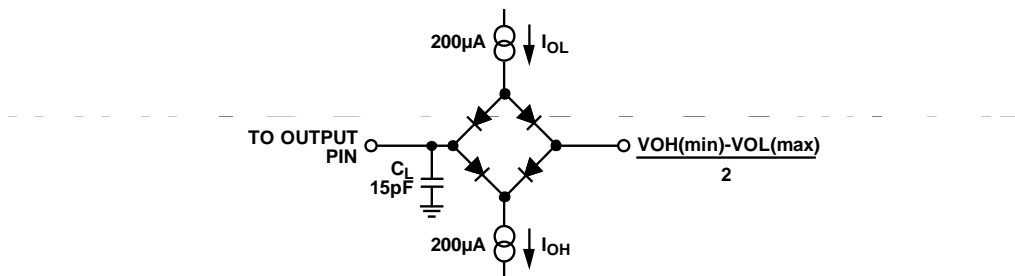
$AV_{DD}/AV_{SS}=\pm 12V$  (+/-10%) to  $\pm 24V$  (+/-10%),  $DV_{CC}=2.7V$  to  $5.5V$ ,  $GND=0V$ ,  $R_L=2k\Omega$ ,  $C_L=200pF$ ,  $I_{OUT}:R_L=300\Omega$ ,  $H_L=50mH$ ; All specifications  $T_{MIN}$  to  $T_{MAX}$ , unless otherwise noted.

Table 3.

| Parameter <sup>1,2</sup> | Limit at $T_{MIN}$ , $T_{MAX}$ | Unit        | Description   |
|--------------------------|--------------------------------|-------------|---|
| $t_1$                    | 33                             | ns min      | SCLK cycle time   |
| $t_2$                    | 13                             | ns min      | SCLK high time  |
| $t_3$                    | 13                             | ns min      | SCLK low time   |
| $t_4$                    | 13                             | ns min      | $\overline{SYNC}$ falling edge to SCLK falling edge setup time      |
| $t_5$                    | 13                             | ns min      | 16 <sup>th</sup> SCLK falling edge to $\overline{SYNC}$ rising edge |
| $t_6$                    | 13                             | ns min      | Minimum $\overline{SYNC}$ high time (WRITE MODE)                    |
| $t_7$                    | 6                              | ns min      | Data setup time   |
| $t_8$                    | 0                              | ns min      | Data hold time  |
| $t_{10}, t_9$            | 1                              | $\mu s$ max | CLEAR pulse high/low activation time                                |
| $t_{11}$                 | 25                             | ns min      | Minimum $\overline{SYNC}$ high time (READ MODE)                     |
| $t_{12}$                 | 25                             | ns max      | SCLK rising edge to SDO valid (SDO $C_L=20pf$ )                     |

1 Guaranteed by characterization. Not production tested.

2 All input signals are specified with  $t_r = t_f = 5$  ns (10% to 90% of  $DV_{CC}$ ) and timed from a voltage level of 1.2 V.



SDO Load Timing.



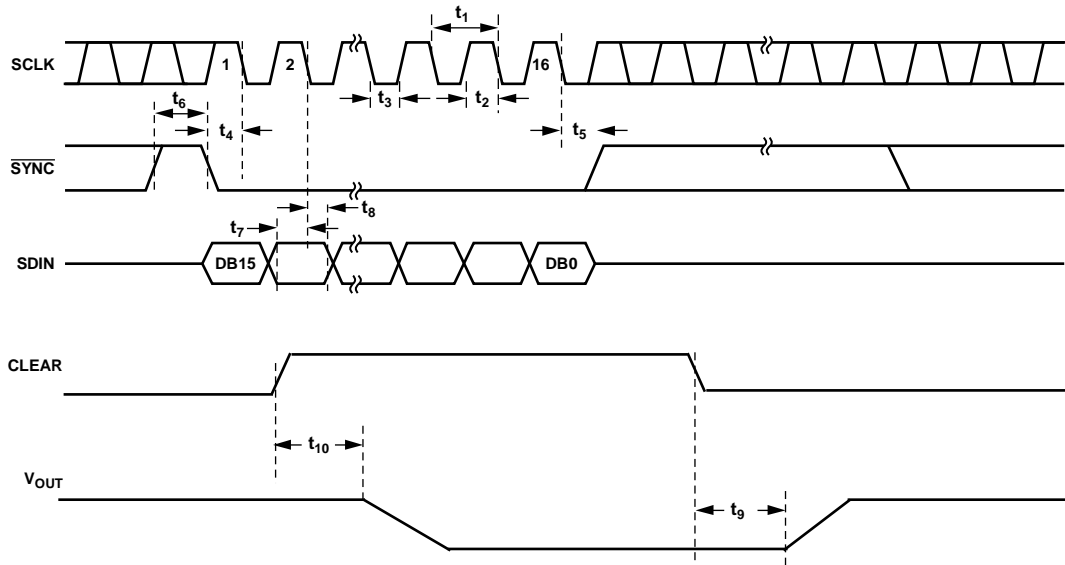


Figure 2. Write Mode Timing Diagram

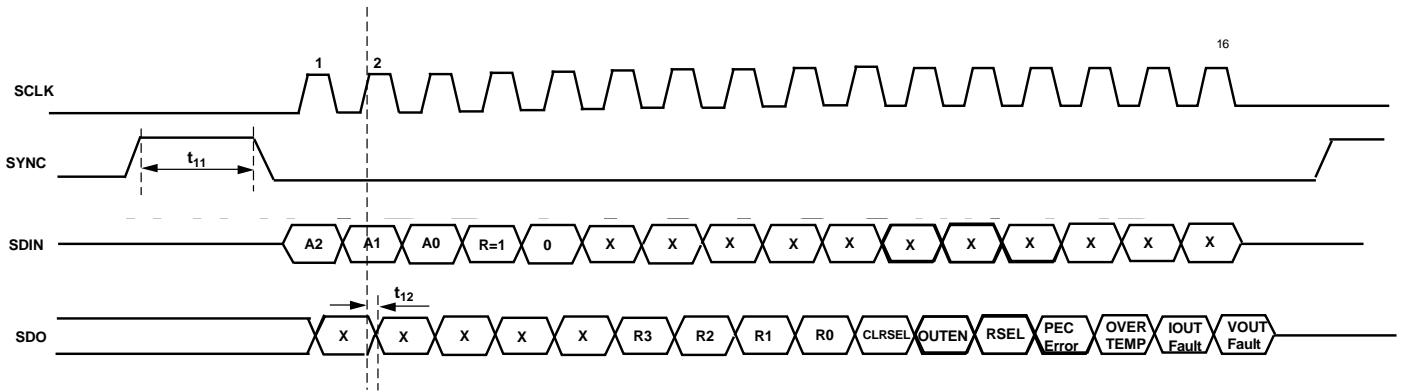


Figure 3. Readback Mode Timing Diagram

## ABSOLUTE MAXIMUM RATINGS

$T_A = 25^\circ\text{C}$  unless otherwise noted.

Transient currents of up to 100 mA do not cause SCR latch-up.

**Table 4.**

| Parameter                         | Rating  |
|-----------------------------------|---|
| $AV_{DD}$ to GND                  | -0.3V to 30v  |
| $AV_{SS}$ to GND                  | +0.3 V to -30v  |
| $AV_{DD}$ to $AV_{SS}$            | -0.3V to 60v  |
| $DV_{CC}$ to GND                  | -0.3 V to +7 V  |
| + $V_{SENSE}$ to GND              | $AV_{SS}$ to $AV_{DD}$                                    |
| - $V_{SENSE}$ to GND              | +/-5.0v   |
| Digital Inputs to GND             | -0.3 V to $DV_{CC} + 0.3$ V or 7 V<br>(whichever is less) |
| Digital Outputs to GND            | -0.3 V to $DV_{CC} + 0.3$ V or 7V<br>(whichever is less)  |
| REFIN/REFOUT to GND               | -0.3 V to +5 V  |
| $V_{IN}$ to GND                   | -0.3 V to +5 V  |
| $V_{OUT}$ to GND                  | $AV_{SS}$ to $AV_{DD}$                                    |
| $I_{OUT}$ to GND                  | -0.3V to $AV_{DD}$ , +0.3V to $AV_{SS}$                   |
| Operating Temperature Range       |   |
| Industrial                        | -40°C to +105°C   |
| Storage Temperature Range         | -65°C to +150°C   |
| Junction Temperature ( $T_J$ max) | 125°C   |
| 32-Lead LFCSP Package             |   |
| $\theta_{JA}$ Thermal Impedance   | 28°C/W  |
| Lead Temperature                  | JEDEC Industry Standard                                   |
| Soldering                         | J-STD-020   |

Stresses above those listed under Absolute Maximum Ratings may cause permanent damage to the device. This is a stress rating only; functional operation of the device at these or any other conditions above those indicated in the operational section of this specification is not implied. Exposure to absolute maximum rating conditions for extended periods may affect device reliability.

### ESD CAUTION



**ESD (electrostatic discharge) sensitive device.** Charged devices and circuit boards can discharge without detection. Although this product features patented or proprietary protection circuitry, damage may occur on devices subjected to high energy ESD. Therefore, proper ESD precautions should be taken to avoid performance degradation or loss of functionality.

## PIN CONFIGURATION AND FUNCTION DESCRIPTIONS

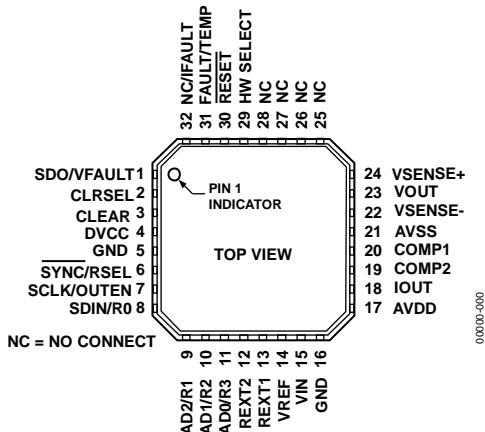


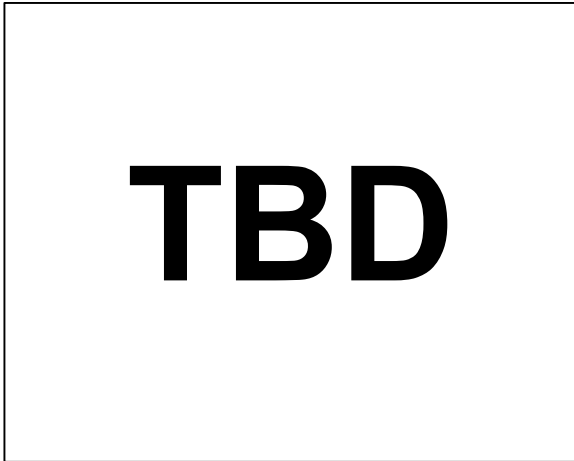
Figure 4. LFCSP Pin Configuration

Table 5. Pin Function Descriptions

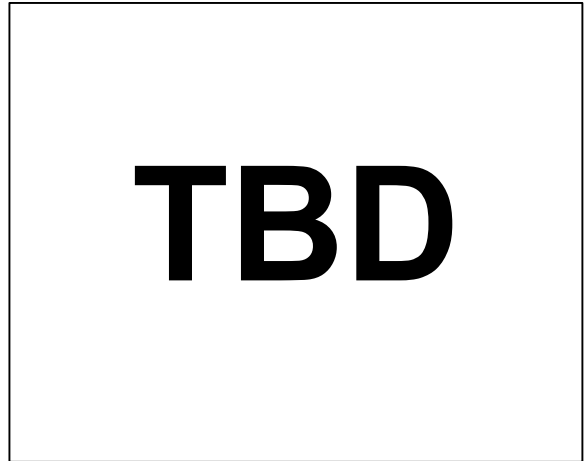
| LFCSP Pin No. | Mnemonic   | Description  |
|---------------|------------|--|
| 1             | SDO/VFAULT | <p>In Software Mode, Serial Data Output. Used to clock data from the serial register in readback mode. Data is clocked out on the rising edge of SCLK and is valid on the falling edge of SCLK. Open Drain Output, must be connected to a pull up resistor.</p> <p>In Hardware mode, acts as a SHORT circuit Fault alert pin. This pin is asserted low when an SHORT circuit. Error is detected. Open drain output, must be connected to a pull-up resistor.</p> |
| 2             | CLRSEL     | In Hardware or software mode, selects the clear value, either zero-scale or mid-scale code. In Software mode, this pin is implemented as a logic OR with the internal CLRSEL bit.  |
| 3             | CLEAR      | Active High Input. Asserting this pin sets the Output Current/Voltage to zero-scale code or mid-scale code of range selected (user-selectable). CLEAR is a LOGIC OR with the internal CLEAR bit.   |
| 4             | DVCC       | Digital Power Supply   |
| 5             | GND        | Ground Connection.   |
| 6             | SYNC/RSEL  | <p>In Software Mode, Positive edge sensitive latch, a rising edge will parallel load the input shift register data into the INPUT register, also updating the output.</p> <p>In Hardware mode, this pin chooses whether internal/external current sense resistor is used</p>   |
| 7             | SCLK/OUTEN | <p>In Software Mode, Serial Clock Input. Data is clocked into the shift register on the falling edge of SCLK. This operates at clock speeds up to 30 MHz.</p> <p>In Hardware mode, this pin acts as an output enable pin.</p>  |
| 8             | SDIN/R0    | <p>In Software Mode, Serial Data Input. Data must be valid on the falling edge of SCLK.</p> <p>In Hardware Mode, R0 is Range Decode Bit. This pin, in conjunction with R2, R3, R1 choose the output current/voltage range setting on the part.</p>   |
| 9             | AD2/R1     | <p>In Software Mode, AD2 is Device Addressing bit. This pin, in conjunction with AD1, AD0 allow up to 8 devices to be addressed on one bus.</p> <p>In Hardware Mode, R1 is Range Decode Bit. This pin, in conjunction with R2, R3, R0 choose the output current/voltage range setting on the part.</p>   |
| 10            | AD1/R2     | In Software Mode, AD1 is Device Addressing bit. This pin, in conjunction with AD2, AD0 allow up to 8 devices to be addressed on one bus.   |

| LFCSP Pin No. | Mnemonic            | Description   |
|---------------|---------------------|---|
|               |                     | In Hardware Mode, R2 is Range Decode Bit. This pin, in conjunction with R3, R1, R0 choose the output current/voltage range setting on the part.   |
| 11            | AD0/R3              | In Software Mode, AD0 is Device Addressing bit. This pin, in conjunction with AD1, AD2 allow up to 8 devices to be addressed on one bus.<br>In Hardware Mode, R3 is Range Decode Bit. This pin, in conjunction with R2, R1, R0 choose the output current/voltage range setting on the part.   |
| 12<br>13      | REXT1<br>REXT 2     | An external current setting resistor can be connected to this pin to improve the I <sub>OUT</sub> temperature drift performance.<br><br><b>When using the Internal RSET resistor these pins must be left floating.</b>  |
| 14            | VREF                | Reference Input   |
| 15            | VIN                 | Analog Input (0-4.096v)   |
| 16            | GND                 | Ground Connection.  |
| 17            | AV <sub>DD</sub>    | Positive Analog Supply Pin.   |
| 18            | IOUT                | Current Output Pin  |
| 19            | COMP1               | Optional compensation capacitor connection for the voltage output buffer  |
| 20            | COMP2               | Optional compensation capacitor connection for the voltage output buffer  |
| 21            | AV <sub>SS</sub>    | Negative Analog Supply Pin.   |
| 22            | -V <sub>SENSE</sub> | Sense connection for the negative voltage output load connection. This pin must stay within +/-3.0v of ground for correct operation.  |
| 23            | V <sub>OUT</sub>    | Buffered Analog Output Voltage.   |
| 24            | +V <sub>SENSE</sub> | Sense connection for the positive voltage output load connection.   |
| 25,26,27,28   | NC                  | No Connect Pin. Can be tied to GND.   |
| 29            | HW SELECT           | This part is used to configure the part to hardware/software mode.<br>HW SELECT = 0 selects Software Control.<br>HW SELECT = 1 selects Hardware Control.  |
| 30            | RESET               | Resets the part to its power on state.  |
| 31            | FAULT/TEMP          | In Software mode, acts as a general Fault alert pin. This pin is asserted low when an open circuit, short circuit, over temperature or PEC Interface Error is detected. Open drain output, must be connected to a pull-up resistor.<br><br>In Hardware mode, acts as an over temp FAULT pin. This pin is asserted low when an over temperature Error is detected. Open drain output, must be connected to a pull-up resistor. |
| 32            | NC/IFault           | In Hardware mode, acts as a OPEN circuit Fault alert pin. This pin is asserted low when an OPEN circuit. Error is detected. Open drain output, must be connected to a pull-up resistor.<br><br>In Software mode, is a NC. Tie to GND.   |

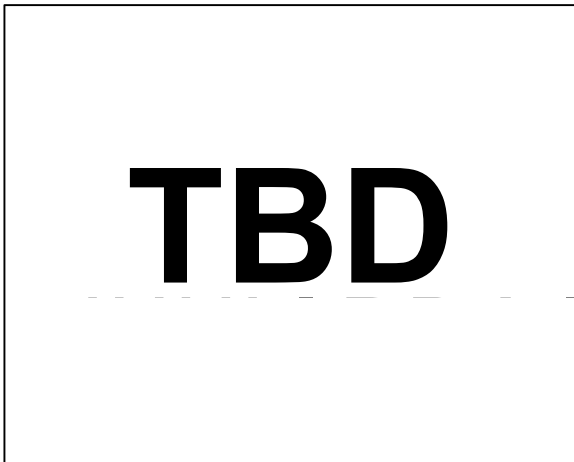
**TYPICAL PERFORMANCE CHARACTERISTICS**



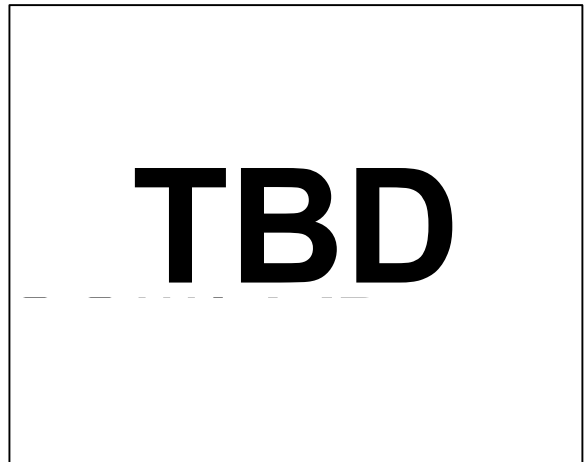
*Figure 5.*



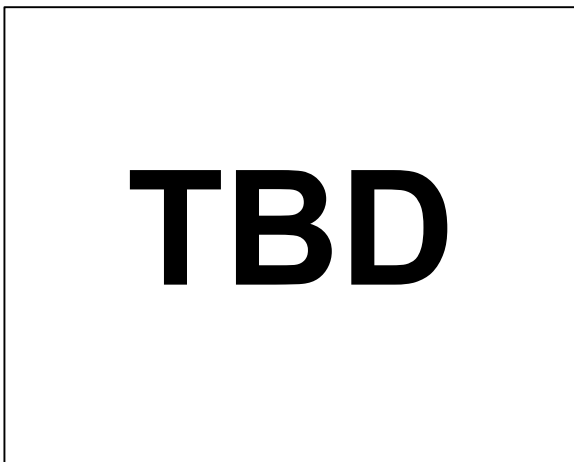
*Figure 8.*



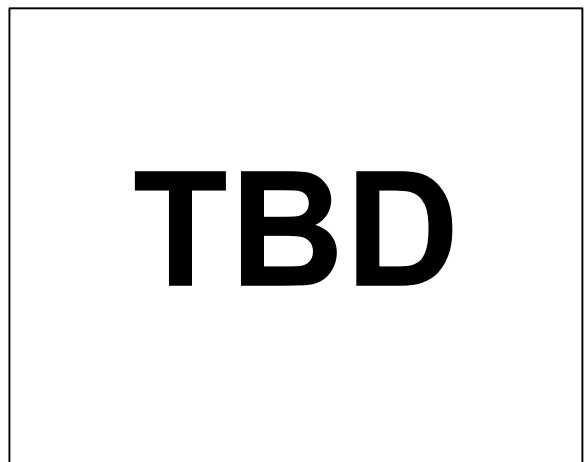
*Figure 6.*



*Figure 9.*



*Figure 7.*



*Figure 10*

## TERMINOLOGY

### Output Voltage Settling Time

Output voltage settling time is the amount of time it takes for the output to settle to a specified level for a full-scale input change. A plot of settling time can be seen in Table TBD

### Slew Rate

The slew rate of a device is a limitation in the rate of change of the output voltage. Slew rate is measured from 10% to 90% of the output signal and is given in  $V/\mu s$ .

### Total Unadjusted Error

Total unadjusted error (TUE) is a measure of the output error taking all the various errors into account. TUE is expressed in % FSR.

### Current Loop Voltage Compliance

The maximum voltage at the  $I_{OUT}$  pin for which the output current will be equal to the programmed value.

### Power-On Glitch Energy

Power-on glitch energy is the impulse injected into the analog output when the AD5750 is powered-on. It is specified as the area of the glitch in nV-sec.

### Power Supply Rejection Ratio (PSRR)

PSRR indicates how the output is affected by changes in the power supply voltage.

### THEORY OF OPERATION

Figures 11 and 12 shows a typical configuration of AD5750 in Software Mode (Figure 11) and in Hardware mode (Figure 12) in an output module system. The HW SELECT pin chooses whether the part is configured in software or hardware mode. The analog input to the AD5750 is provided from a low voltage, single supply digital-to-analog converter such as the AD5061 which provides an output range of 0-4.096V. The supply and reference for the DAC, as well as the reference for the AD5750 can be supplied from a reference such as the ADR392. The AD5750 can operate from supplies up to +26.4 volts.

In current mode, software selectable output ranges include  $\pm 20\text{mA}$ ,  $\pm 24\text{mA}$ , 0-20 mA, 4mA-20mA or 0mA-24mA. In voltage mode, software selectable output ranges include 0V-5V, 0V-10V,  $\pm 5\text{V}$  or  $\pm 10\text{V}$ . The current and voltage outputs are available on separate pins. Only one output can be enabled at one time. The output range is selected by programming the range bits in the control register.

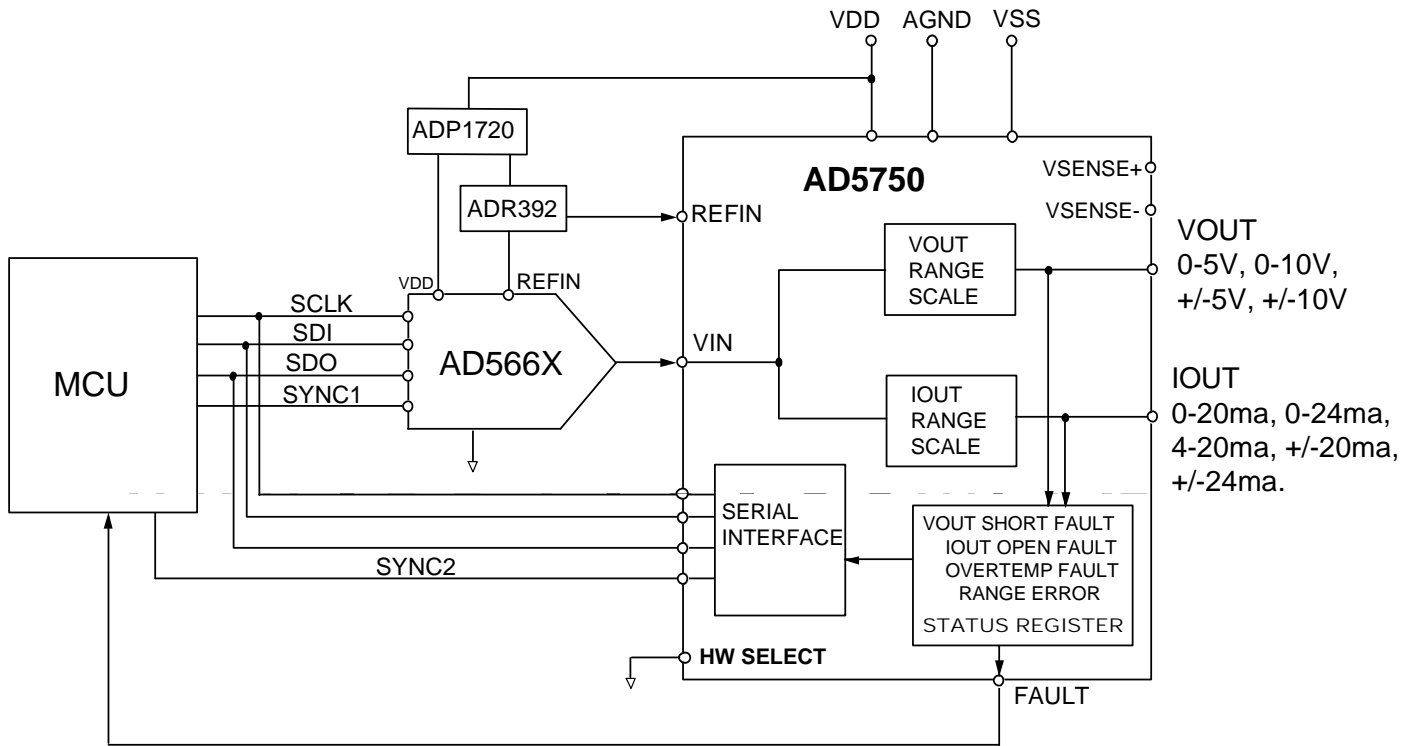


Figure 11. Typical System Configuration in Software Mode. Pull up resistors not shown for open drain outputs.

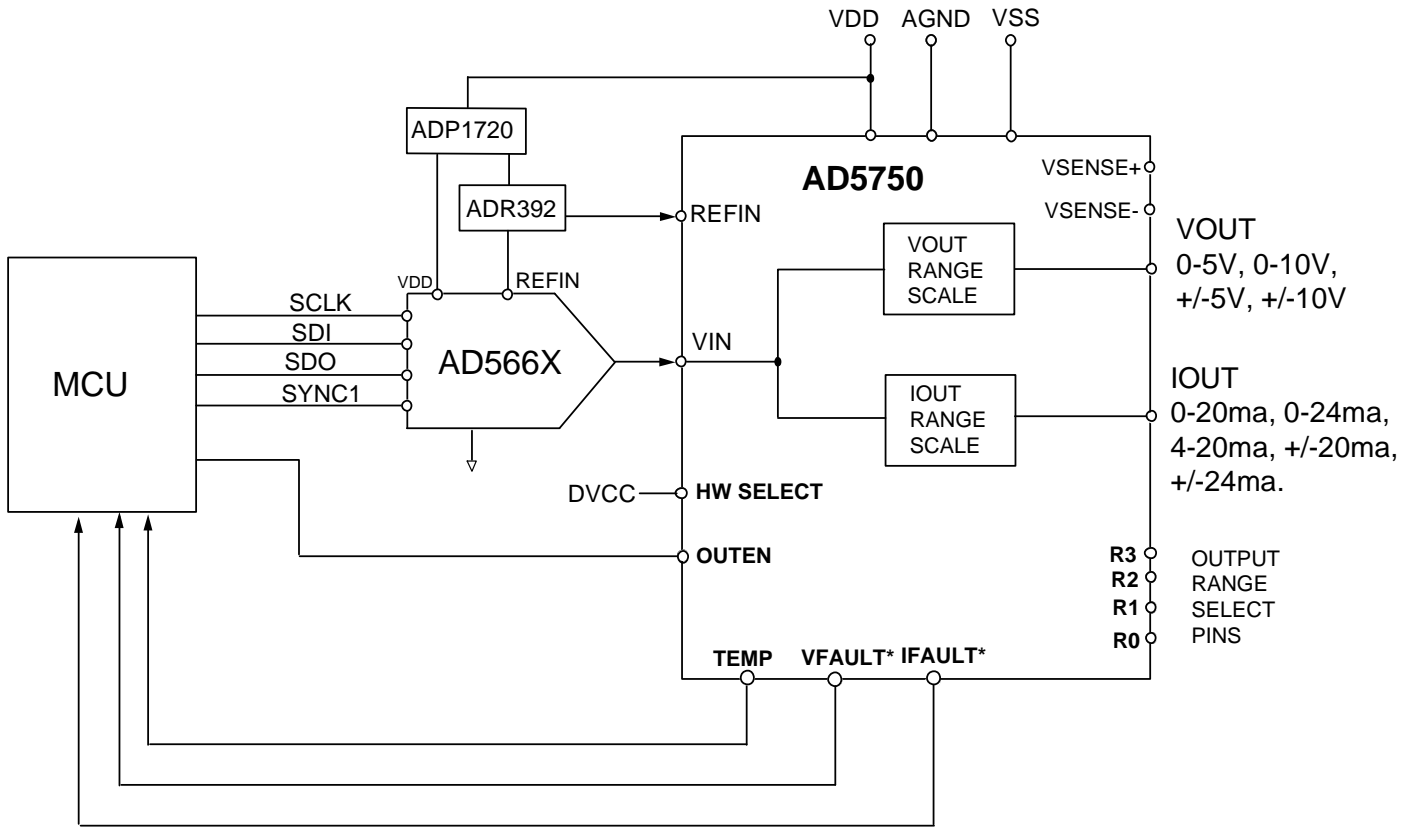


Figure 12. Typical System Configuration in Hardware Mode. Pull up resistors not shown for open drain outputs.



### CURRENT OUTPUT ARCHITECTURE

The voltage input from the analog input VIN core (0-4.096v) is either converted to a current (see Figure 12) which is then mirrored to the supply rail so that the application simply sees a current source output with respect to an internal reference voltage or it is buffered and scaled to output a software selectable unipolar or bipolar voltage range (See Figure 13). The Reference is used to provide internal offsets for range and gain scaling. The selectable output range is programmable through the digital interface.

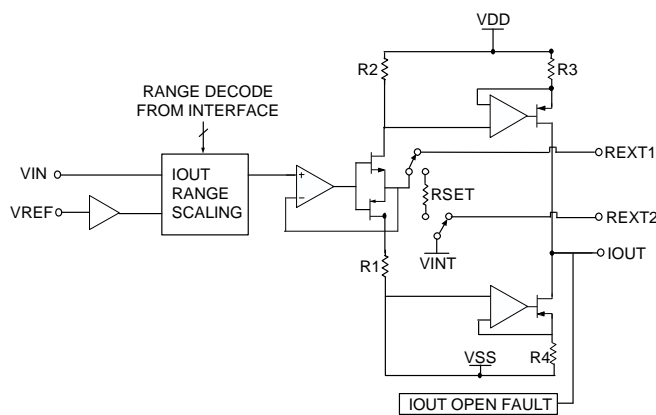


Figure 11. Current Output Configuration

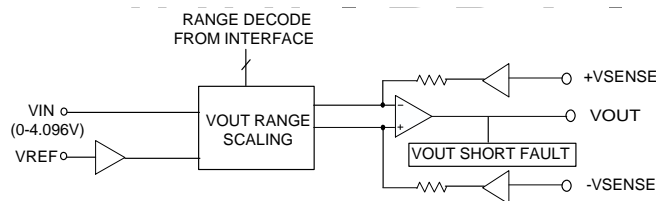


Figure 12. Voltage Output

### Voltage Output Amplifier

The voltage output amplifier is capable of generating both unipolar and bipolar output voltages. It is capable of driving a load of 1 kΩ in parallel with 1.2 uF. The source and sink capabilities of the output amplifier can be seen in Figure TBD. The slew rate is 1 V/μs with a full-scale settling time of 10 μs.(10V step).

The current and voltage are output on separate pins and cannot be output simultaneously. This allows the user to tie both the current and voltage output pins together and configuring the end system as “one channel” output.

### Driving Large Capacitive Loads

The voltage output amplifier is capable of driving capacitive loads of up to 1uF with the addition of a non-polarised 4nF compensation capacitor between the CCOMP1 and CCOMP2 pins.

Without the compensation capacitor, up to 20nF capacitive loads can be driven.

### POWER ON STATE OF AD5750

On Power-up, the AD5750 will sense whether hardware or software mode is loaded and set the power up conditions accordingly.

In software SPI mode, the part will power up with all outputs disabled (OUTEN bit=0). In disabled mode, both the current and voltage outputs are put into tri-state mode. The user will have to set the OUTEN bit in the control register to enable the output and in the same write the user will also set the output range configuration using the range bits.

If hardware mode is selected, the part will power up to the conditions defined by the range bits and the status of the OUTEN pin. It is recommended to keep the output disabled when powering up the part in hardware mode.

### RESET:

The AD5750 contains a reset function.

In Software mode, the part can be reset using the RESET pin (active low) or the RESET bit (RESET=1). A reset will disable both the current and voltage outputs and put them in tri-state mode. The user will have to write to the OUTEN bit to enable the output and in the same write the user will also set the output range configuration. The RESET pin is a level sensitive input - the part will stay in RESET mode as long as RESET pin is low. The RESET bit will clear to zero following a RESET command to the control register.

In hardware mode, there is no RESET. If using the part in hardware mode the RESET pin should be tied high.

### OUTEN

In Software mode, the output can be enabled/disabled using the OUTEN bit in the control register. When the output is disabled, both the current and voltage channels both go into tri-state. The user will have to set the OUTEN bit to enable the output and at this time the user will also set the output range configuration.

In Hardware mode, the output can be enabled/disabled using the OUTEN pin. When the output is disabled, both the current and voltage channels both go into tri-state. The user will have to write to the OUTEN pin to enable the output. It is recommended that the output be disabled when changing the ranges.

**SOFTWARE CONTROL:**

Software control is enabled by connecting the HW SELECT pin to ground. In software mode, the AD5750 is controlled over a versatile 3-wire serial interface that operates at clock rates up to 30 MHz. It is compatible with SPI®, QSPI™, MICROWIRE™, and DSP standards. The input shift register is 16 bits wide. Data is loaded into the device MSB first as a 16-bit word under the control of a serial clock input, SCLK. Data is clocked in on the falling edge of SCLK. The input register consists of 16 control bits as shown in Table 5. The timing diagram for this operation is shown in Figure 2. The first 3 bits of the Input Register are used to set the hardware address of the AD5750 device on the PCB board. Up to 8 devices can be addressed per board.

Bits D11, D1, D0 must always be set to 0 during any write sequence.

**Table 3. Input Shift Register Format**

| MSB |     |     |     |     |     |    |    |    |        |       |       |      |       | LSB |    |
|-----|-----|-----|-----|-----|-----|----|----|----|--------|-------|-------|------|-------|-----|----|
| D15 | D14 | D13 | D12 | D11 | D10 | D9 | D8 | D7 | D6     | D5    | D4    | D3   | D2    | D1  | D0 |
| A2  | A1  | A0  | R/W | 0   | R3  | R2 | R1 | R0 | CLRSEL | OUTEN | CLEAR | RSEL | RESET | 0   | 0  |

**Table 6. Input Shift Register Decoded**

| Register           |   |           |  |  |           |           |  |
|--------------------|---|-----------|--|--|-----------|-----------|--|
| <b>A2, A1, A0</b>  | Used in association with External Pins AD2, AD1, AD0 to determine which part is being addressed by the system controller. |           |  |  |           |           |  |
|                    | <b>A2</b>   | <b>A1</b> | <b>A0</b>  | <b>Function</b>                              |           |           |  |
|                    | 0   | 0         | 0  | Addresses Part with pins AD2=0, AD1=0, AD0=0 |           |           |  |
|                    | 0   | 0         | 1  | Addresses Part with pins AD2=0, AD1=0, AD0=1 |           |           |  |
|                    | 0   | 1         | 0  | Addresses Part with pins AD2=0, AD1=1, AD0=0 |           |           |  |
|                    | 0   | 1         | 1  | Addresses Part with pins AD2=0, AD1=1, AD0=1 |           |           |  |
|                    | 1   | 0         | 0  | Addresses Part with pins AD2=1, AD1=0, AD0=0 |           |           |  |
|                    | 1   | 0         | 1  | Addresses Part with pins AD2=1, AD1=0, AD0=1 |           |           |  |
|                    | 1   | 1         | 0  | Addresses Part with pins AD2=1, AD1=1, AD0=0 |           |           |  |
|                    | 1   | 1         | 1  | Addresses Part with pins AD2=1, AD1=1, AD0=1 |           |           |  |
| <b>R/W</b>         | Indicates a read from or a write to the addressed register.   |           |  |  |           |           |  |
| <b>CLEAR</b>       | Software Clear Bit – Active High.   |           |  |  |           |           |  |
| <b>CLRSEL</b>      | Sets Clear Mode to zero scale or midscale. See Text.  |           |  |  |           |           |  |
|                    | CLRSEL  |           |  |  |           |           |  |
|                    | 0   |           | Clear to Zero Volts  |  |           |           |  |
|                    | 1   |           | Clear to Mid Scale in Unipolar Mode, Clear to Zero Scale in Bipolar Mode.        |  |           |           |  |
| <b>OUTEN</b>       | Output Enable Bit. This bit must be set to 1 to enable the outputs.   |           |  |  |           |           |  |
| <b>RSEL</b>        | Select Internal/External Current Sense Resistor.  |           |  |  |           |           |  |
|                    | RSEL  |           |  |  |           |           |  |
|                    | 1   |           | Select Internal Current Sense Resistor /*used with Range bits to select Range */ |  |           |           |  |
|                    | 0   |           | Select External Current Sense Resistor /*used with Range bits to select Range */ |  |           |           |  |
| <b>R3,R2,R1,R0</b> | Selects output Configuration in conjunction with RSEL.  |           |  |  |           |           |  |
|                    | RSEL  |           | <b>R3</b>  | <b>R2</b>                                    | <b>R1</b> | <b>R0</b> | <b>Output Configuration</b>                      |
|                    | 0   |           | 0  | 0  | 0         | 0         | 4-20MA External Current Sense Resistor 15k ohm.  |
|                    | 0   |           | 0  | 0  | 0         | 1         | 0-20MA External Current Sense Resistor 15k ohm.  |
|                    | 0   |           | 0  | 0  | 1         | 0         | 0-24MA External Current Sense Resistor 15k ohm.  |
|                    | 0   |           | 0  | 0  | 1         | 1         | +/-20MA External Current Sense Resistor 15k ohm. |
|                    | 0   |           | 0  | 1  | 0         | 0         | +/-24MA External Current Sense Resistor 15k ohm. |
|                    | 0   |           | 0  | 1  | 0         | 1         | 0-5V   |
|                    | 0   |           | 0  | 1  | 1         | 0         | 0-10V  |
|                    | 0   |           | 0  | 1  | 1         | 1         | +/-5V  |
|                    | 0   |           | 1  | 0  | 0         | 0         | +/-10V   |
|                    | 0   |           | 1  | 0  | 0         | 1         | 0-6.0V (20% over range)                          |
|                    | 0   |           | 1  | 0  | 1         | 0         | 0-12.0V (20% over range)                         |
|                    | 0   |           | 1  | 0  | 1         | 1         | +/-6.0V (20% over range)                         |

|              |   |   |   |   |   |  |
|--------------|---|---|---|---|---|--|
|              | 0 | 1 | 1 | 0 | 0 | +/-12.0V (20% over range)                        |
|              | 0 | 1 | 1 | 0 | 1 | +/-2.5v  |
|              | 0 | 1 | 1 | 1 | 0 | N/A. If selected output will drive 0V.           |
|              | 0 | 1 | 1 | 1 | 1 | N/A. If selected output will drive 0V.           |
|              | 1 | 0 | 0 | 0 | 0 | 4-20MA Internal Current Sense Resistor.          |
|              | 1 | 0 | 0 | 0 | 1 | 0-20MA Internal Current Sense Resistor.          |
|              | 1 | 0 | 0 | 1 | 0 | 0-24MA Internal Current Sense Resistor.          |
|              | 1 | 0 | 0 | 1 | 1 | +/-20MA  |
|              | 1 | 0 | 1 | 0 | 0 | +/-24MA  |
|              | 1 | 0 | 1 | 0 | 1 | 0-5V   |
|              | 1 | 0 | 1 | 1 | 0 | 0-10V  |
|              | 1 | 0 | 1 | 1 | 1 | +/-5V  |
|              | 1 | 1 | 0 | 0 | 0 | +/-10V   |
|              | 1 | 1 | 0 | 0 | 1 | 0-6.0V (20% over range)                          |
|              | 1 | 1 | 0 | 1 | 0 | 0-12.0V (20% over range)                         |
|              | 1 | 1 | 0 | 1 | 1 | +/-6.0V (20% over range)                         |
|              | 1 | 1 | 1 | 0 | 0 | +/-12.0V (20% over range)                        |
|              | 1 | 1 | 1 | 0 | 1 | 3.92ma – 20.4ma Internal Current Sense Resistor. |
|              | 1 | 1 | 1 | 1 | 0 | 0ma – 20.4ma Internal Current Sense Resistor.    |
|              | 1 | 1 | 1 | 1 | 1 | 0ma – 24.5ma Internal Current Sense Resistor.    |
| <b>Reset</b> |   |   |   |   |   | Resets the part to its Power on State            |

**Readback Operation**

Readback mode is invoked by selecting the correct device address (A2,A1,A0) and then setting the R/W bit to 1. By default the SDO pin is disabled, after having addressed the AD5750 for a read operation, setting R/W to 1 will enable the SDO pin and SDO data will be clocked out on the 5<sup>th</sup> rising edge of SCLK. After the data has been clocked-out on-SDO, a rising edge on SYNC will disable (tri- state) the SDO pin once again. STATUS and CONTROL register data will be both available during the same read cycle. See Table 7 below.

**Table 7. Input Shift Register Contents for a read operation**

| MSB |     |     |     |     |     |    |    |    |        |       |      |               |           |            | LSB        |
|-----|-----|-----|-----|-----|-----|----|----|----|--------|-------|------|---------------|-----------|------------|------------|
| D15 | D14 | D13 | D12 | D11 | D10 | D9 | D8 | D7 | D6     | D5    | D4   | D3            | D2        | D1         | D0         |
| A2  | A1  | A0  | 1   | 0   | R3  | R2 | R1 | R0 | CLRSEL | OUTEN | RSEL | PEC Error Bit | OVER TEMP | IOUT Fault | Vout Fault |

The STATUS bits are 4 read only bits. They are used to notify the user of specific fault conditions that have arisen, such as open or short circuit on the output, over temperature, or an interface error. If any one of these fault conditions occur a hardware FAULT is also asserted low which can be used as a hardware interrupt to the controller.

Full explanation of fault conditions are given in the Features sections.

**Table 9. STATUS Bits Options**

| Option     | Description  |
|------------|--|
| PEC ERROR  | Bit Set if there is an Interface Error detected by CRC-8 Error Checking. See features section. |
| VOUT FAULT | Bit set if there is a short Circuit on VOUT pin.   |
| IOUT FAULT | Bit set is there is an open circuit on IOUT pin.   |
| OVER TEMP  | This bit will be set if the AD5750 core temperature exceeds approx. 150°C.                     |

**HARDWARE CONTROL:**

Hardware control is enabled by connecting the HW SELECT pin to DVCC. In this mode, pins R3,R2,R1,R0 along with RSEL pin are used to configure the output range as per Table.

| RSEL | R3 | R2 | R1 | R0 | Output Configuration                             |
|------|----|----|----|----|--|
| 0    | 0  | 0  | 0  | 0  | 4-20MA External Current Sense Resistor 15k ohm.  |
| 0    | 0  | 0  | 0  | 1  | 0-20MA External Current Sense Resistor 15k ohm.  |
| 0    | 0  | 0  | 1  | 0  | 0-24MA External Current Sense Resistor 15k ohm.  |
| 0    | 0  | 0  | 1  | 1  | +/-20MA External Current Sense Resistor 15k ohm. |
| 0    | 0  | 1  | 0  | 0  | +/-24MA External Current Sense Resistor 15k ohm. |
| 0    | 0  | 1  | 0  | 1  | 0-5V   |
| 0    | 0  | 1  | 1  | 0  | 0-10V  |
| 0    | 0  | 1  | 1  | 1  | +/-5V  |
| 0    | 1  | 0  | 0  | 0  | +/-10V   |
| 0    | 1  | 0  | 0  | 1  | 0-6.0V (20% over range)                          |
| 0    | 1  | 0  | 1  | 0  | 0-12.0V (20% over range)                         |
| 0    | 1  | 0  | 1  | 1  | +/-6.0V (20% over range)                         |
| 0    | 1  | 1  | 0  | 0  | +/-12.0V (20% over range)                        |
| 0    | 1  | 1  | 0  | 1  | +/-2.5v  |
| 0    | 1  | 1  | 1  | 0  | N/A. If selected output will drive 0V.           |
| 0    | 1  | 1  | 1  | 1  | N/A. If selected output will drive 0V.           |
| 1    | 0  | 0  | 0  | 0  | 4-20MA Internal Current Sense Resistor.          |
| 1    | 0  | 0  | 0  | 1  | 0-20MA Internal Current Sense Resistor.          |
| 1    | 0  | 0  | 1  | 0  | 0-24MA Internal Current Sense Resistor.          |
| 1    | 0  | 0  | 1  | 1  | +/-20MA  |
| 1    | 0  | 1  | 0  | 0  | +/-24MA  |
| 1    | 0  | 1  | 0  | 1  | 0-5V   |
| 1    | 0  | 1  | 1  | 0  | 0-10V  |
| 1    | 0  | 1  | 1  | 1  | +/-5V  |
| 1    | 1  | 0  | 0  | 0  | +/-10V   |
| 1    | 1  | 0  | 0  | 1  | 0-6.0V (20% over range)                          |
| 1    | 1  | 0  | 1  | 0  | 0-12.0V (20% over range)                         |
| 1    | 1  | 0  | 1  | 1  | +/-6.0V (20% over range)                         |
| 1    | 1  | 1  | 0  | 0  | +/-12.0V (20% over range)                        |
| 1    | 1  | 1  | 0  | 1  | 3.92ma – 20.4ma Internal Current Sense Resistor. |
| 1    | 1  | 1  | 1  | 0  | 0ma – 20.4ma Internal Current Sense Resistor.    |
| 1    | 1  | 1  | 1  | 1  | 0ma – 24.5ma Internal Current Sense Resistor.    |

In hardware mode there is no status register. The fault conditions; open circuit, short circuit and over temperature are available on pins IFAULT, VFAULT and TEMP. If any one of these fault conditions are set then a low is asserted on the specific fault pin. IFAULT, VFAULT and TEMP are open drain outputs and therefore can be connected together to allow the user generate one interrupt to the system controller to communicate a fault. If hardwired in this way, it will not be possible to isolate which fault occurred in the system.

#### DEFAULT CONFIGURATION:

On initial power-up of the AD5750 the power-on-reset circuit ensures that all registers are loaded with zero-code, as such the default output is the current output with the 4mA to 20mA range selected, the current output until a value is programmed is 0mA. The voltage output pin will be in three-state. An alternative current range or a voltage output range may be selected via the CONTROL register.

### TRANSFER FUNCTION

#### ***Voltage Output***

For a unipolar voltage output range, the output voltage expression is given by

$$V_{out} = GAIN \times VIN$$

For a bipolar voltage output range, the output voltage expression is given by

$$V_{out} = (GAIN \times VIN - (GAIN \times (VREF/2))) \times VIN$$

where:

*VREF* is the reference voltage applied at the REFIN pin.  
*Gain* is an internal gain whose value depends on the output range selected by the user as shown in

#### **Current Output**

For a given current output range, the current output range is chosen setting the bits R3,R2,R1,R10 in the Input Register or pins. Transfer function will change depending on current range selected.

## FEATURES

### OUTPUT FAULT ALERT – SOFTWARE MODE

In Software mode, the AD5750 is equipped with one FAULT pin, this is an open-drain output allowing several AD5750 devices to be connected together to one pull-up resistor for global fault detection. In software control mode, the FAULT pin is forced active high by any one of the following fault scenarios;

- 1) The Voltage at  $I_{OUT}$  attempts to rise above the compliance range, due to an open-loop circuit or insufficient power supply voltage. The internal circuitry that develops the fault output avoids using a comparator with “window limits” since this would require an actual output error before the FAULT output becomes active. Instead, the signal is generated when the internal amplifier in the output stage has less than approximately one volt of remaining drive capability. Thus the FAULT output activates slightly before the compliance limit is reached. Since the comparison is made within the feedback loop of the output amplifier, the output accuracy is maintained by its open-loop gain and an output error does not occur before the FAULT output becomes active.
- 2) A short is detected on the voltage output pin. Short circuit current limited to 25ma.
- 3) An interface error is detected due to the PEC error checking failure. See PEC error checking section.
- 4) A range change is detected without the user writing to the Interface.
- 5) If the core temperature of the AD5750 exceeds approx. 150°C.

### OUTPUT FAULT ALERT – HARDWARE MODE

In hardware mode, the AD5750 is equipped with 3 FAULT pins, VFAULT, IFAULT, TEMP. These are an open-drain outputs allowing several AD5750 devices to be connected together to one pull-up resistor for global fault detection. In hardware control mode, these fault pins are forced active by any one of the following fault scenarios;

- 1) Open Circuit Detect. The Voltage at  $I_{OUT}$  attempts to rise above the compliance range, due to an open-loop circuit or insufficient power supply voltage. The internal circuitry that develops the fault output avoids using a comparator with “window limits” since this would require an actual output error before the FAULT output becomes active. Instead, the signal is generated when the internal amplifier in the output stage has less than approximately one volt of remaining drive capability. Thus the FAULT output activates slightly before the compliance limit is reached. Since the comparison is made within the

feedback loop of the output amplifier, the output accuracy is maintained by its open-loop gain and an output error does not occur before the FAULT output becomes active.

If this fault is detected the IFAULT pin is forced low.

- 2) A short is detected on the voltage output pin. Short circuit current limited to 25ma. If this fault is detected the VFAULT pin is forced low.
- 3) If the core temperature of the AD5750 exceeds approx. 150°C. If this fault is detected the TEMP pin is forced low.

### VOLTAGE OUTPUT SHORT CIRCUIT PROTECTION

Under normal operation the voltage output will sink/source 5mA and maintain specified operation. The maximum current that the voltage output will deliver is 15mA, this is the short circuit current.

### ASYNCHRONOUS CLEAR (CLEAR)

CLEAR is an active high clear that allows the voltage output to be cleared to either zero-scale code or mid-scale code, user-selectable via the CLRSEL pin or the CLRSEL bit of the INPUT register as described in Table 6. (The Clear select feature is a logical OR function of the CLR SELECT pin and the CLRSEL bit). The Current loop output will clear to the bottom of its programmed range. It is necessary to maintain CLEAR high for a minimum amount of time (see Figure 2) to complete the operation. When the CLEAR signal is returned low, the output returns to its programmed value or a new value if programmed. A clear operation can also be performed via the CLEAR command in the control register.

Table 11. CLEAR SELECT Options

| CLR SELECT | Output CLR Value   |                                     |
|------------|--|-------------------------------------|
|            | <b>Unipolar Output Voltage Range</b>                     | <b>Bipolar Output Range</b>         |
| 0          | 0 V  | Negative Full-Scale                 |
| 1          | Mid-Scale  | 0 V                                 |
|            | <b>Unipolar Current Output Range</b>                     | <b>Bipolar Current Output Range</b> |
| 0          | Zero-Scale e.g.<br>4ma on 4-20ma<br>0ma on 0-20ma etc... | Zero Scale e.g.<br>-24ma on +/-24ma |
| 1          | Mid-Scale e.g.<br>12ma on 4-20ma<br>10ma on 0-20ma       | Mid-Scale e.g.<br>0ma on +/-24ma    |

### EXTERNAL CURRENT SETTING RESISTOR

Referring to Figure 1, RSET is an internal sense resistor as part of the voltage to current conversion circuitry. The nominal value of internal current sense resistor is 15k ohm. To allow for overrange capability in current mode, the user can also select

the internal current sense resistor to be 14.7K, giving a nominal 2% overrange capability. This feature is available in the 0-20ma, 4-20ma, +/-20ma current ranges.

The stability of the output current value over temperature is dependent on the stability of the value of RSET. As a method of improving the stability of the output current over temperature an external low drift resistor can be connected to the RSET1 & RSET2 pins of the AD5750 to be used instead of the internal resistor RSET. The external resistor is selected via the input register. If the external resistor option is not used the RSET1 and RSET2 pins should be left floating.

**PROGRAMMABLE OVER-RANGE MODES**

The AD5750 contains an over range mode for most of the available ranges. In voltage mode the over-range is typically 20% and in current mode the over-range is typically 2%. The overranges are selected by configuring R3, R1, R1, R0 bits/pins accordingly.

In voltage mode the overranges are typically 20% providing programmable output ranges of 0-6v, 0-12v, +/-6v and +/-12v. The 0-4.096v analog input remains the same.

In current mode the overranges are typically 2%. In current mode the overrange capability is only available on 3 ranges, 0-20ma, 0-24ma, 4-20ma. For these ranges the analog input will also vary, according to the table below.

| Over Range  | Analog Input    |
|-------------|-----------------|
| 0-20.4ma    | 0.075v – 4.096v |
| 3.92-20.4ma | 0.06v-4.096v    |
| 0-24.5ma    | 0.065-4.096v    |

For example, in 0-20.4ma range, an analog input of 0.075v will output 0ma and 4.096v will output full scale 20.4ma.

**PACKET ERROR CHECKING**

To verify that data has been received correctly in noisy environments, the AD5750 offers the option of error checking based on an 8-bit (CRC-8) cyclic redundancy check. The device controlling the AD5750 should generate an 8-bit frame check sequence using the polynomial

$$C(x) = x^8 + x_2 + x_1 + 1.$$

This is added to the end of the data word, and 24 data bits are sent to the AD5750 before taking SYNC high. If the AD5750 sees a 24-bit data frame, it will perform the error check when SYNC goes high. If the check is valid, then the data will be written to the selected register. If the error check fails, the FAULT will go high and bit D4 of the Status Register is set. After reading this register, this error flag is cleared automatically and PEC goes high again.

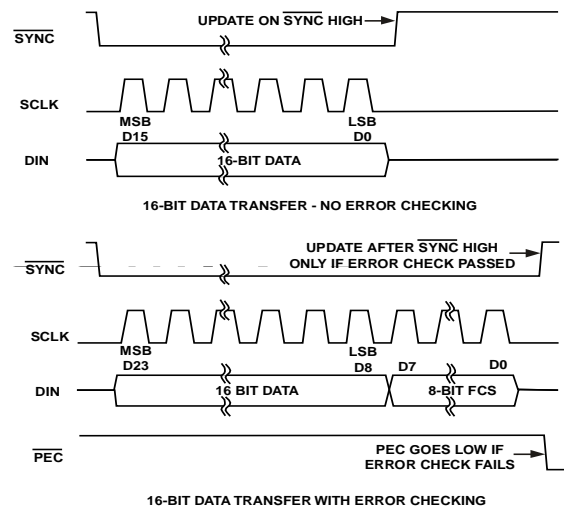


Figure 13. PEC Error Checking Timing

## APPLICATIONS INFORMATION

### TRANSIENT VOLTAGE PROTECTION

The AD5750 contains ESD protection diodes which prevent damage from normal handling. The industrial control environment can, however, subject I/O circuits to much higher transients. In order to protect the AD5750 from excessively high voltage transients, external power diodes and a surge current limiting resistor may be required, as shown in Figure 15. The constraint on the resistor value is that during normal operation the output level at IOUT must remain within its voltage compliance limit of  $AV_{DD} - 2.0V$  and the two protection diodes and resistor must have appropriate power ratings.

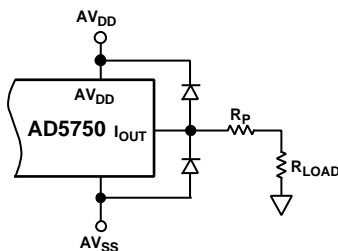


Figure 15. Output Transient Voltage Protection

### LAYOUT GUIDELINES

In any circuit where accuracy is important, careful consideration of the power supply and ground return layout helps to ensure the rated performance. The printed circuit board on which the AD5750 is mounted should be designed so that the AD5750 lies on the analog plane.

The AD5750 should have ample supply bypassing of  $10\ \mu F$  in parallel with  $0.1\ \mu F$  on each supply located as close to the package as possible, ideally right up against the device. The  $10\ \mu F$  capacitors are the tantalum bead type. The  $0.1\ \mu F$  capacitor should have low effective series resistance (ESR) and low effective series inductance (ESI) such as the common ceramic types, which provide a low impedance path to ground at high frequencies to handle transient currents due to internal logic switching.

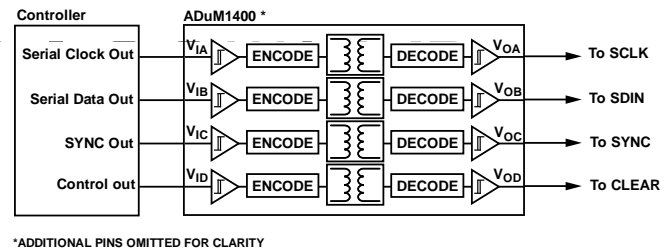
The power supply lines of the AD5750 should use as large a trace as possible to provide low impedance paths and reduce the effects of glitches on the power supply line. Fast switching signals such as clocks should be shielded with digital ground to avoid radiating noise to other parts of the board and should never be run near the reference inputs. A ground line routed between the SDIN and SCLK lines helps reduce crosstalk between them (not required on a multilayer board that has a

separate ground plane, but separating the lines helps). It is essential to minimize noise on the REFIN line.

Avoid crossover of digital and analog signals. Traces on opposite sides of the board should run at right angles to each other. This reduces the effects of feed through the board. A microstrip technique is by far the best, but not always possible with a double-sided board. In this technique, the component side of the board is dedicated to ground plane, while signal traces are placed on the solder side.

### GALVANICALLY ISOLATED INTERFACE

In many process control applications, it is necessary to provide an isolation barrier between the controller and the unit being controlled to protect and isolate the controlling circuitry from any hazardous common-mode voltages that might occur. The *iCoupler*® family of products from Analog Devices provides voltage isolation in excess of 2.5 kV. The serial loading structure of the AD5750 make it ideal for isolated interfaces because the number of interface lines is kept to a minimum. Figure 16 shows a 4-channel isolated interface to the AD5750 using an ADuM1400. For further information, visit <http://www.analog.com/icouplers>.



\*ADDITIONAL PINS OMITTED FOR CLARITY

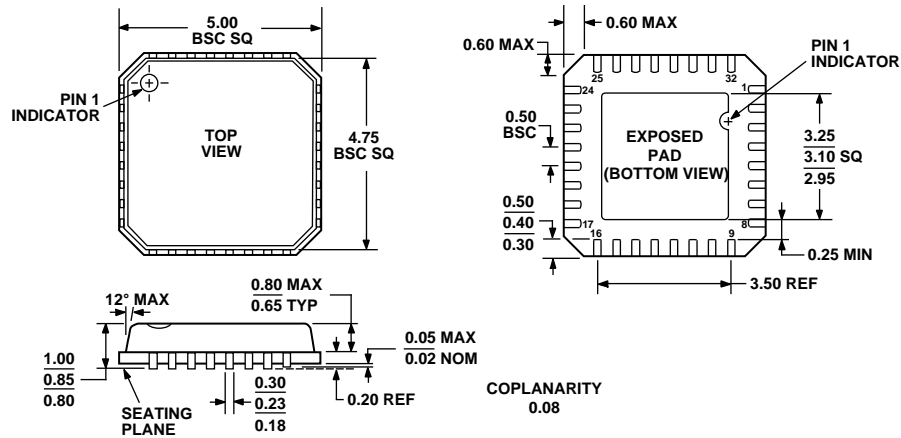
Figure 16. Isolated Interface

### MICROPROCESSOR INTERFACING

Microprocessor interfacing to the AD5750 is via a serial bus that uses protocol compatible with microcontrollers and DSP processors. The communications channel is a 3-wire (minimum) interface consisting of a clock signal, a data signal, and a sync signal. The AD5750 require a 16-bit data-word with data valid on the falling edge of SCLK.



# OUTLINE DIMENSIONS



COMPLIANT TO JEDEC STANDARDS MO-220-VHDD-2

Figure 17. 32-Lead Lead Frame Chip Scale Package (CP-32-2)

Dimensions shown in millimeters

## ORDERING GUIDE

| Model      | TUE Accuracy | Temperature Range | Package Description | Package Option |
|------------|--------------|-------------------|---------------------|----------------|
| AD5750ACPZ | 0.3 %        | -40°C to 105°C    | 32 Lead LFCSP       | CP-32-2        |
| AD5750BCPZ | 0.1%         | -40°C to 105°C    | 32 Lead LFCSP       | CP-32-2        |