



# AD7396/AD7397

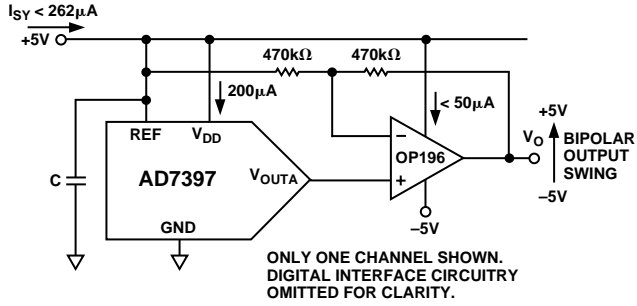


Figure 30. Bipolar Output Operation

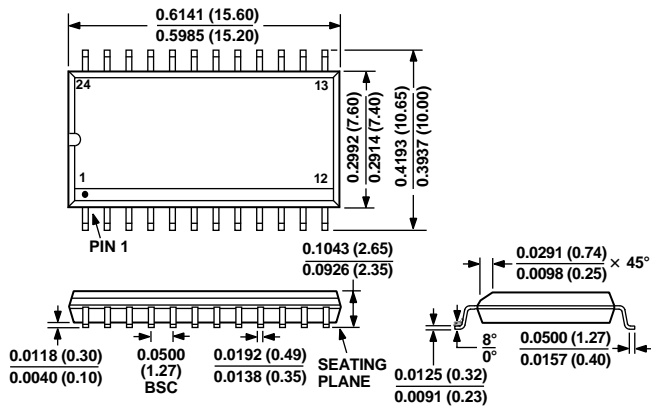
Table III. Bipolar Code Table

Hexadecimal Number In DAC Register	Decimal Number in DAC Register	Analog Output Voltage (V)
3FF	1023	4.9902
201	513	0.0097
200	512	0.0000
1FF	511	-0.0097
000	0	-5.0000

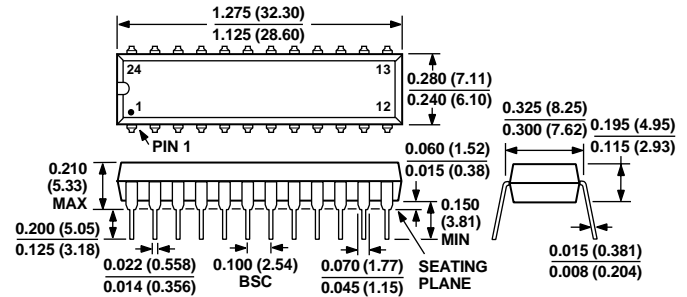
## OUTLINE DIMENSIONS

Dimensions shown in inches and (mm).

24-Lead SOIC Package (R-24)



24-Lead Narrow Body Plastic DIP Package (N-24)



24-Lead Thin Surface Mount TSSOP Package (RU-24)

