

### FEATURES

- ESD Protection over  $\pm 10\text{kV}$   
( $\pm 15\text{kV}$  IEC-1000-4-2 for LT1133A, LT1137A and LT1141A)
- Uses Small Capacitors:  $0.1\mu\text{F}$ ,  $0.2\mu\text{F}$
- $1\mu\text{A}$  Supply Current in SHUTDOWN
- 120kbaud Operation for  $R_L = 3\text{k}$ ,  $C_L = 2500\text{pF}$
- 250kbaud Operation for  $R_L = 3\text{k}$ ,  $C_L = 1000\text{pF}$
- CMOS Comparable Low Power
- Easy PC Layout: Flowthrough Architecture
- Rugged Bipolar Design: Absolutely No Latchup
- Outputs Assume a High Impedance State When Off or Powered Down
- Improved Protection: RS232 I/O Lines Can Be Forced to  $\pm 30\text{V}$  Without Damage
- Output Overvoltage Does Not Force Current Back into Supplies
- Available in SO and SSOP Packages

### DESCRIPTION

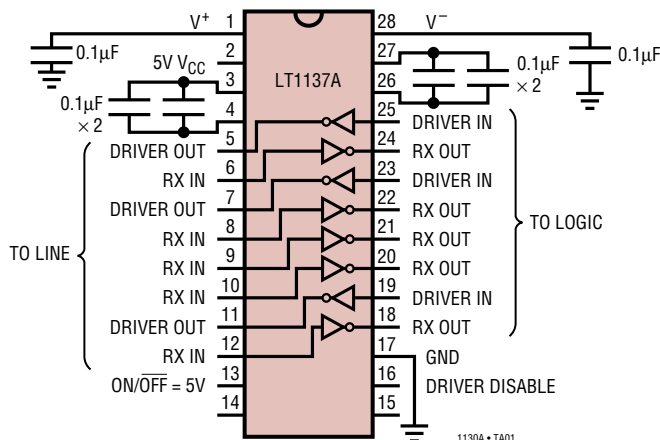
The LT<sup>®</sup>1130A/LT1140A series of RS232 drivers/receivers features special bipolar construction techniques which protect the drivers and receivers beyond the fault conditions stipulated for RS232. Driver outputs and receiver inputs can be shorted to  $\pm 30\text{V}$  without damaging the device or the power supply generator. In addition, the RS232 I/O pins are resilient to multiple  $\pm 10\text{kV}$  ESD strikes. An advanced driver output stage operates up to 250kbaud while driving heavy capacitive loads. Supply current is typically 12mA, competitive with CMOS devices.

Several members of the series include flexible operating mode controls. The DRIVER DISABLE pin disables the drivers and the charge pump, the ON/OFF pin shuts down all circuitry. While shut down, the drivers and receivers assume high impedance output states.

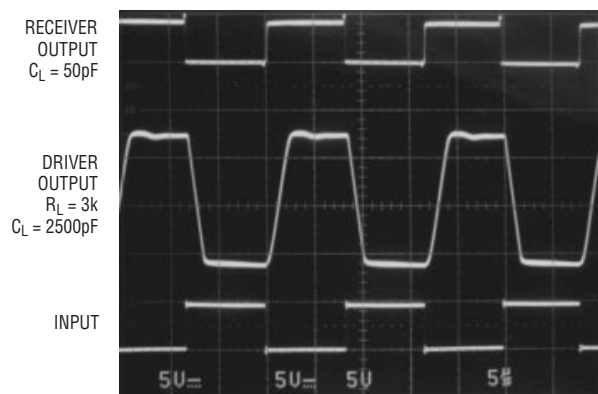
LT, LTC and LT are registered trademarks of Linear Technology Corporation.

### TYPICAL APPLICATION

Basic Operation



Output Waveforms



- LT1130A 5-Driver/5-Receiver RS232 Transceiver
- LT1131A 5-Driver/4-Receiver RS232 Transceiver w/Shutdown
- LT1132A 5-Driver/3-Receiver RS232 Transceiver
- LT1133A 3-Driver/5-Receiver RS232 Transceiver
- LT1134A 4-Driver/4-Receiver RS232 Transceiver
- LT1135A 5-Driver/3-Receiver RS232 Transceiver w/o Charge Pump

- LT1136A 4-Driver/5-Receiver RS232 Transceiver w/Shutdown
- LT1137A 3-Driver/5-Receiver RS232 Transceiver w/Shutdown
- LT1138A 5-Driver/3-Receiver RS232 Transceiver w/Shutdown
- LT1139A 4-Driver/4-Receiver RS232 Transceiver w/Shutdown
- LT1140A 5-Driver/3-Receiver RS232 Transceiver w/o Charge Pump
- LT1141A 3-Driver/5-Receiver RS232 Transceiver w/o Charge Pump

# LT1130A/LT1140A Series

## ABSOLUTE MAXIMUM RATINGS (Note 1)

|                                   |                              |  |                |
|-----------------------------------|------------------------------|--|----------------|
| Supply Voltage ( $V_{CC}$ ) ..... | 6V                           | Short-Circuit Duration                     |                |
| $V^+$ .....                       | 13.2V                        | $V^+$ .....                                | 30 sec         |
| $V^-$ (Note 7) .....              | -13.2V                       | $V^-$ .....                                | 30 sec         |
| Input Voltage                     |                              | Driver Output .....                        | Indefinite     |
| Driver .....                      | $V^-$ to $V^+$               | Receiver Output .....                      | Indefinite     |
| Receiver .....                    | -30V to 30V                  | Operating Temperature Range                |                |
| On/Off Pin .....                  | -0.3V to 12V                 | LT113XAC/LT114XAC .....                    | 0°C to 70°C    |
| Driver Disable Pin .....          | -0.3V to ( $V_{CC} + 0.3V$ ) | LT113XAI/LT114XAI .....                    | -40° to 85°C   |
| Output Voltage                    |                              | Storage Temperature Range .....            | -65°C to 150°C |
| Driver .....                      | -30V to 30V                  | Lead Temperature (Soldering, 10 sec) ..... | 300°C          |
| Receiver .....                    | -0.3V to ( $V_{CC} + 0.3V$ ) |  |                |

## PRODUCT SELECTION TABLE

| Part Number | Power Supply Voltages* | Shutdown | Driver Disable | Drivers | Receivers | External Components |
|-------------|------------------------|----------|----------------|---------|-----------|---------------------|
| LT1130A     | 5                      | No       | No             | 5       | 5         | 4 Capacitors        |
| LT1131A     | 5                      | Yes      | Yes            | 5       | 4         | 4 Capacitors        |
| LT1132A     | 5                      | No       | No             | 5       | 3         | 4 Capacitors        |
| LT1133A**   | 5                      | No       | No             | 3       | 5         | 4 Capacitors        |
| LT1134A     | 5                      | No       | No             | 4       | 4         | 4 Capacitors        |
| LT1135A     | 5, 12, -12             | No       | No             | 5       | 3         | None                |
| LT1136A     | 5                      | Yes      | Yes            | 4       | 5         | 4 Capacitors        |
| LT1137A**   | 5                      | Yes      | Yes            | 3       | 5         | 4 Capacitors        |
| LT1138A     | 5                      | Yes      | Yes            | 5       | 3         | 4 Capacitors        |
| LT1139A     | 5, 12                  | Yes      | No             | 4       | 4         | 2 Capacitors        |
| LT1140A     | 5, 12, -12             | Yes      | Yes            | 5       | 3         | None                |
| LT1141A**   | 5, 12, -12             | Yes      | Yes            | 3       | 5         | None                |

\*The LT1130A, LT1131A, LT1132A, LT1134A, LT1136A, LT1137A and LT1138A can operate with 5V and 12V supplies and two external capacitors.

\*\*Meets  $\pm 15kV$  ESD air gap discharge and  $\pm 8kV$  contact methods per IEC-1000-4-2.

## PACKAGE/ORDER INFORMATION

| 5-DRIVER/5-RECEIVER  | ORDER PART NUMBER                               | 5-DRIVER/4-RECEIVER WITH SHUTDOWN  | ORDER PART NUMBER                |
|--|---|--|----------------------------------|
| <p>NW PACKAGE 28-LEAD PDIP<br/>SW PACKAGE 28-LEAD PLASTIC SO WIDE</p> <p><math>T_{JMAX} = 150^{\circ}C, \theta_{JA} = 56^{\circ}C/W</math> (NW)<br/><math>T_{JMAX} = 150^{\circ}C, \theta_{JA} = 68^{\circ}C/W</math> (SW)</p> | <p>LT1130ACNW<br/>LT1130ACSW<br/>LT1130AISW</p> | <p>NW PACKAGE 28-LEAD PDIP<br/>SW PACKAGE 28-LEAD PLASTIC SO WIDE</p> <p><math>T_{JMAX} = 150^{\circ}C, \theta_{JA} = 56^{\circ}C/W</math> (NW)<br/><math>T_{JMAX} = 150^{\circ}C, \theta_{JA} = 68^{\circ}C/W</math> (SW)</p> | <p>LT1131ACNW<br/>LT1131ACSW</p> |

**PACKAGE/ORDER INFORMATION**

|   |  |  |  |
|---|--|--|--|
| <p><b>5-DRIVER/3-RECEIVER</b></p> <p>TOP VIEW</p> <p>V<sup>+</sup> 1, 5V V<sub>CC</sub> 2, C1<sup>+</sup> 3, C1<sup>-</sup> 4, DRIVER OUT 5, DRIVER OUT 6, RX IN 7, DRIVER OUT 8, DRIVER OUT 9, RX IN 10, DRIVER OUT 11, RX IN 12, 24 V<sup>-</sup>, 23 C2<sup>-</sup>, 22 C2<sup>+</sup>, 21 DRIVER IN, 20 DRIVER IN, 19 RX OUT, 18 DRIVER IN, 17 DRIVER IN, 16 RX OUT, 15 DRIVER IN, 14 RX OUT, 13 GND</p> <p>N PACKAGE 24-LEAD PDIP      SW PACKAGE 24-LEAD PLASTIC SO WIDE</p> <p>T<sub>JMAX</sub> = 150°C, θ<sub>JA</sub> = 58°C/W (N)<br/>T<sub>JMAX</sub> = 150°C, θ<sub>JA</sub> = 80°C/W (SW)</p>  | <p><b>ORDER PART NUMBER</b></p> <p>LT1132ACN<br/>LT1132ACSW<br/>LT1132AISW</p>               | <p><b>3-DRIVER/5-RECEIVER</b></p> <p>TOP VIEW</p> <p>V<sup>+</sup> 1, 5V V<sub>CC</sub> 2, C1<sup>+</sup> 3, C1<sup>-</sup> 4, DRIVER OUT 5, RX IN 6, DRIVER OUT 7, RX IN 8, RX IN 9, RX IN 10, DRIVER OUT 11, RX IN 12, 24 V<sup>-</sup>, 23 C2<sup>-</sup>, 22 C2<sup>+</sup>, 21 DRIVER IN, 20 RX OUT, 19 DRIVER IN, 18 RX OUT, 17 RX OUT, 16 RX OUT, 15 DRIVER IN, 14 RX OUT, 13 GND</p> <p>N PACKAGE 24-LEAD PDIP      SW PACKAGE 24-LEAD PLASTIC SO WIDE</p> <p>T<sub>JMAX</sub> = 150°C, θ<sub>JA</sub> = 58°C/W (N)<br/>T<sub>JMAX</sub> = 150°C, θ<sub>JA</sub> = 80°C/W (SW)</p>   | <p><b>ORDER PART NUMBER</b></p> <p>LT1133ACN<br/>LT1133ACSW<br/>LT1133AISW</p>   |
| <p><b>4-DRIVER/4-RECEIVER</b></p> <p>TOP VIEW</p> <p>V<sup>+</sup> 1, 5V V<sub>CC</sub> 2, C1<sup>+</sup> 3, C1<sup>-</sup> 4, DRIVER OUT 5, RX IN 6, DRIVER OUT 7, RX IN 8, DRIVER OUT 9, RX IN 10, DRIVER OUT 11, RX IN 12, 24 V<sup>-</sup>, 23 C2<sup>-</sup>, 22 C2<sup>+</sup>, 21 DRIVER IN, 20 RX OUT, 19 DRIVER IN, 18 RX OUT, 17 DRIVER IN, 16 RX OUT, 15 DRIVER IN, 14 RX OUT, 13 GND</p> <p>N PACKAGE 24-LEAD PDIP      SW PACKAGE 24-LEAD PLASTIC SO WIDE</p> <p>T<sub>JMAX</sub> = 150°C, θ<sub>JA</sub> = 58°C/W (N)<br/>T<sub>JMAX</sub> = 150°C, θ<sub>JA</sub> = 80°C/W (SW)</p>  | <p><b>ORDER PART NUMBER</b></p> <p>LT1134ACN<br/>LT1134ACSW<br/>LT1134AIN<br/>LT1134AISW</p> | <p><b>5-DRIVER/3-RECEIVER WITHOUT CHARGE PUMP</b></p> <p>TOP VIEW</p> <p>12V V<sup>+</sup> 1, 5V V<sub>CC</sub> 2, DRIVER OUT 3, DRIVER OUT 4, RX IN 5, DRIVER OUT 6, DRIVER OUT 7, RX IN 8, DRIVER OUT 9, RX IN 10, 20 -12V V<sup>-</sup>, 19 DRIVER IN, 18 DRIVER IN, 17 RX OUT, 16 DRIVER IN, 15 DRIVER IN, 14 RX OUT, 13 DRIVER IN, 12 RX OUT, 11 GND</p> <p>N PACKAGE 20-LEAD PDIP      SW PACKAGE 20-LEAD PLASTIC SO WIDE</p> <p>T<sub>JMAX</sub> = 150°C, θ<sub>JA</sub> = 79°C/W (N)<br/>T<sub>JMAX</sub> = 150°C, θ<sub>JA</sub> = 85°C/W (SW)</p>  | <p><b>ORDER PART NUMBER</b></p> <p>LT1135ACN<br/>LT1135ACSW</p>  |
| <p><b>4-DRIVER/5-RECEIVER WITH SHUTDOWN</b></p> <p>TOP VIEW</p> <p>V<sup>+</sup> 1, 5V V<sub>CC</sub> 2, C1<sup>+</sup> 3, C1<sup>-</sup> 4, DRIVER OUT 5, RX IN 6, DRIVER OUT 7, RX IN 8, DRIVER OUT 9, RX IN 10, DRIVER OUT 11, RX IN 12, RX IN 13, ON/OFF 14, 28 V<sup>-</sup>, 27 C2<sup>-</sup>, 26 C2<sup>+</sup>, 25 DRIVER IN, 24 RX OUT, 23 DRIVER IN, 22 RX OUT, 21 DRIVER IN, 20 RX OUT, 19 DRIVER IN, 18 RX OUT, 17 RX OUT, 16 GND, 15 DRIVER DISABLE</p> <p>NW PACKAGE 28-LEAD PDIP      SW PACKAGE 28-LEAD PLASTIC SO WIDE</p> <p>T<sub>JMAX</sub> = 150°C, θ<sub>JA</sub> = 56°C/W (NW)<br/>T<sub>JMAX</sub> = 150°C, θ<sub>JA</sub> = 68°C/W (SW)</p> | <p><b>ORDER PART NUMBER</b></p> <p>LT1136ACNW<br/>LT1136ACSW</p>                             | <p><b>3-DRIVER/5-RECEIVER WITH SHUTDOWN</b></p> <p>TOP VIEW</p> <p>V<sup>+</sup> 1, 5V V<sub>CC</sub> 2, C1<sup>+</sup> 3, C1<sup>-</sup> 4, DRIVER OUT 5, RX IN 6, DRIVER OUT 7, RX IN 8, RX IN 9, RX IN 10, DRIVER OUT 11, RX IN 12, ON/OFF 13, NC 14, 28 V<sup>-</sup>, 27 C2<sup>-</sup>, 26 C2<sup>+</sup>, 25 DRIVER IN, 24 RX OUT, 23 DRIVER IN, 22 RX OUT, 21 RX OUT, 20 RX OUT, 19 DRIVER IN, 18 RX OUT, 17 GND, 16 DRIVER DISABLE, 15 NC</p> <p>G PACKAGE 28-LEAD PLASTIC SSOP      NW PACKAGE 28-LEAD PDIP      SW PACKAGE 28-LEAD PLASTIC SO WIDE</p> <p>T<sub>JMAX</sub> = 150°C, θ<sub>JA</sub> = 96°C/W (G)<br/>T<sub>JMAX</sub> = 150°C, θ<sub>JA</sub> = 56°C/W (NW)<br/>T<sub>JMAX</sub> = 150°C, θ<sub>JA</sub> = 68°C/W (SW)</p> | <p><b>ORDER PART NUMBER</b></p> <p>LT1137ACG<br/>LT1137ACNW<br/>LT1137ACSW<br/>LT1137AIG<br/>LT1137AINW<br/>LT1137AISW</p> |

## PACKAGE/ORDER INFORMATION

|  |   |   |  |
|--|---|---|--|
| <p><b>5-DRIVER/3-RECEIVER WITH SHUTDOWN</b></p> <p>G PACKAGE 28-LEAD PLASTIC SSOP<br/>NW PACKAGE 28-LEAD PDIP<br/>SW PACKAGE 28-LEAD PLASTIC SO WIDE</p> <p><math>T_{JMAX} = 150^{\circ}\text{C}</math>, <math>\theta_{JA} = 96^{\circ}\text{C/W}</math> (G)<br/><math>T_{JMAX} = 150^{\circ}\text{C}</math>, <math>\theta_{JA} = 56^{\circ}\text{C/W}</math> (NW)<br/><math>T_{JMAX} = 150^{\circ}\text{C}</math>, <math>\theta_{JA} = 68^{\circ}\text{C/W}</math> (SW)</p> | <p>ORDER PART NUMBER</p> <p>LT1138ACG<br/>LT1138ACNW<br/>LT1138ACSW<br/>LT1138AIG</p> | <p><b>4-DRIVER/4-RECEIVER WITH SHUTDOWN WITH 12V AND 5V SUPPLIES</b></p> <p>N PACKAGE 24-LEAD PDIP<br/>SW PACKAGE 24-LEAD PLASTIC SO WIDE</p> <p><math>T_{JMAX} = 150^{\circ}\text{C}</math>, <math>\theta_{JA} = 58^{\circ}\text{C/W}</math> (N)<br/><math>T_{JMAX} = 150^{\circ}\text{C}</math>, <math>\theta_{JA} = 80^{\circ}\text{C/W}</math> (SW)</p> | <p>ORDER PART NUMBER</p> <p>LT1139ACN<br/>LT1139ACSW</p> |
| <p><b>5-DRIVER/3-RECEIVER WITH SHUTDOWN WITHOUT CHARGE PUMP</b></p> <p>N PACKAGE 24-LEAD PDIP<br/>SW PACKAGE 24-LEAD PLASTIC SO WIDE</p> <p><math>T_{JMAX} = 150^{\circ}\text{C}</math>, <math>\theta_{JA} = 58^{\circ}\text{C/W}</math> (N)<br/><math>T_{JMAX} = 150^{\circ}\text{C}</math>, <math>\theta_{JA} = 80^{\circ}\text{C/W}</math> (SW)</p>   | <p>ORDER PART NUMBER</p> <p>LT1140ACN<br/>LT1140ACSW</p>                              | <p><b>3-DRIVER/5-RECEIVER WITH SHUTDOWN WITHOUT CHARGE PUMP</b></p> <p>N PACKAGE 24-LEAD PDIP<br/>SW PACKAGE 24-LEAD PLASTIC SO WIDE</p> <p><math>T_{JMAX} = 150^{\circ}\text{C}</math>, <math>\theta_{JA} = 58^{\circ}\text{C/W}</math> (N)<br/><math>T_{JMAX} = 150^{\circ}\text{C}</math>, <math>\theta_{JA} = 80^{\circ}\text{C/W}</math> (SW)</p>      | <p>ORDER PART NUMBER</p> <p>LT1141ACN<br/>LT1141ACSW</p> |

Consult factory for Industrial and Military grade parts.

## ELECTRICAL CHARACTERISTICS

The ● denotes the specifications which apply over the full operating temperature range, otherwise specifications are at  $T_A = 25^{\circ}\text{C}$ . (Note 2)

| PARAMETER   | CONDITIONS   | MIN | TYP  | MAX | UNITS |
|---|--|-----|------|-----|-------|
| <b>Power Supply Generator</b>   |  |     |      |     |       |
| $V^+$ Output  |  |     | 8.6  |     | V     |
| $V^-$ Output  |  |     | -7.8 |     | V     |
| 5V $V_{CC}$ Supply Current: LT1130A, LT1131A, LT1132A, LT1133A, LT1134A, LT1136A, LT1138A | (Note 3)   | ●   | 15   | 25  | mA    |
| 5V $V_{CC}$ Supply Current: LT1135A, LT1140A, LT1141A                                     | (Note 3), $V^+ = 12\text{V}$ , $V^- = -12\text{V}$ | ●   | 8    | 15  | mA    |
| 5V $V_{CC}$ Supply Current: LT1137A   | (Note 3)   | ●   | 12   | 17  | mA    |
| 5V $V_{CC}$ Supply Current: LT1139A   | (Note 3), $V^+ = 12\text{V}$                       | ●   | 8    | 15  | mA    |
| 12V $V^+$ Supply Current: LT1135A, LT1140A, LT1141A                                       | (Note 3), $V^- = -12\text{V}$                      | ●   | 1    | 4   | mA    |
| 12V $V^+$ Supply Current: LT1139A   | (Note 3)   | ●   | 6    | 10  | mA    |
| -12V $V^-$ Supply Current: LT1135A, LT1140A, LT1141A                                      | (Note 3) $V^+ = 12\text{V}$                        | ●   | 2    | 6   | mA    |

## ELECTRICAL CHARACTERISTICS

The ● denotes the specifications which apply over the full operating temperature range, otherwise specifications are at  $T_A = 25^\circ\text{C}$ . (Note 2)

| PARAMETER                               | CONDITIONS   |        | MIN        | TYP         | MAX        | UNITS                                |
|---|--|--------|------------|-------------|------------|--------------------------------------|
| Supply Current when OFF ( $V_{CC}$ )    | Shutdown (Note 4)<br>Driver Disable  | ●      |            | 1<br>4      | 10         | $\mu\text{A}$<br>mA                  |
| Supply Rise Time<br>Shutdown to Turn-On | $C_1, C_2, C^+, C^- = 1.0\mu\text{F}$<br>$C^+, C^- = 0.1\mu\text{F}, C_1, C_2 = 0.2\mu\text{F}$                                |        |            | 2.0<br>0.2  |            | ms<br>ms                             |
| ON/OFF Pin Thresholds                   | Input Low Level (Device Shut Down)<br>Input High Level (Device Enabled)  | ●<br>● |            | 1.4<br>1.4  | 0.8        | V<br>V                               |
| ON/OFF Pin Current                      | $0\text{V} \leq V_{\text{ON/OFF}} \leq 5\text{V}$  | ●      | -15        |             | 80         | $\mu\text{A}$                        |
| DRIVER DISABLE Pin Thresholds           | Input Low Level (Drivers Enabled)<br>Input High Level (Drivers Disabled)   | ●<br>● |            | 1.4<br>1.4  | 0.8        | V<br>V                               |
| DRIVER DISABLE Pin Current              | $0\text{V} \leq V_{\text{DRIVER DISABLE}} \leq 5\text{V}$  | ●      | -10        |             | 500        | $\mu\text{A}$                        |
| Oscillator Frequency                    |  |        |            | 130         |            | kHz                                  |
| <b>Any Driver</b>                       |  |        |            |             |            |                                      |
| Output Voltage Swing                    | Load = 3k to GND Positive<br>Negative  | ●<br>● | 5          | 7.3<br>-6.5 | -5         | V<br>V                               |
| Logic Input Voltage Level               | Input Low Level ( $V_{\text{OUT}} = \text{High}$ )<br>Input High Level ( $V_{\text{OUT}} = \text{Low}$ )                       | ●<br>● |            | 1.4<br>1.4  | 0.8        | V<br>V                               |
| Logic Input Current                     | $0.8\text{V} \leq V_{\text{IN}} \leq 2\text{V}$  | ●      |            | 5           | 20         | $\mu\text{A}$                        |
| Output Short-Circuit Current            | $V_{\text{OUT}} = 0\text{V}$   |        | $\pm 9$    | $\pm 17$    |            | mA                                   |
| Output Leakage Current                  | Shutdown $V_{\text{OUT}} = \pm 30\text{V}$ (Note 4)  | ●      |            | 10          | 100        | $\mu\text{A}$                        |
| Data Rate                               | $R_L = 3\text{k}, C_L = 2500\text{pF}$<br>$R_L = 3\text{k}, C_L = 1000\text{pF}$   |        | 120<br>250 |             |            | kbaud<br>kbaud                       |
| Slew Rate                               | $R_L = 3\text{k}, C_L = 51\text{pF}$<br>$R_L = 3\text{k}, C_L = 2500\text{pF}$ (Note 8)  |        |            | 15<br>6     | 30         | V/ $\mu\text{s}$<br>V/ $\mu\text{s}$ |
| Propagation Delay                       | Output Transition $t_{\text{HL}}$ High to Low (Note 5)<br>Output Transition $t_{\text{LH}}$ Low to High                        |        |            | 0.6<br>0.5  | 1.3<br>1.3 | $\mu\text{s}$<br>$\mu\text{s}$       |
| <b>Any Receiver</b>                     |  |        |            |             |            |                                      |
| Input Voltage Thresholds                | Input Low Threshold ( $V_{\text{OUT}} = \text{High}$ )<br>Input High Threshold ( $V_{\text{OUT}} = \text{Low}$ )               | ●<br>● | 0.8        | 1.3<br>1.7  | 2.4        | V<br>V                               |
| Hysteresis                              |  | ●      | 0.1        | 0.4         | 1          | V                                    |
| Input Resistance                        | $-10\text{V} < V_{\text{IN}} < 10\text{V}$   |        | 3          | 5           | 7          | $\text{k}\Omega$                     |
| Output Voltage                          | Output Low, $I_{\text{OUT}} = -1.6\text{mA}$<br>Output High, $I_{\text{OUT}} = 160\mu\text{A}$ ( $V_{\text{CC}} = 5\text{V}$ ) | ●<br>● | 3.5        | 0.2<br>4.2  | 0.4        | V<br>V                               |
| Output Leakage Current                  | Shutdown (Note 4) $0 \leq V_{\text{OUT}} \leq V_{\text{CC}}$   | ●      |            | 1           | 10         | $\mu\text{A}$                        |
| Output Short-Circuit Current            | Sinking Current, $V_{\text{OUT}} = V_{\text{CC}}$<br>Sourcing Current, $V_{\text{OUT}} = 0\text{V}$                            |        | 10         | -20<br>20   | -10        | mA<br>mA                             |
| Propagation Delay                       | Output Transition $t_{\text{HL}}$ High to Low (Note 6)<br>Output Transition $t_{\text{LH}}$ Low to High                        |        |            | 250<br>350  | 600<br>600 | ns<br>ns                             |

**Note 1:** Absolute Maximum Ratings are those values beyond which the life of the device may be impaired.

**Note 2:** Testing done at  $V_{\text{CC}} = 5\text{V}$  and  $V_{\text{ON/OFF}} = 3\text{V}$ .

**Note 3:** Supply current is measured with driver and receiver outputs unloaded and the driver inputs tied high.

**Note 4:** Supply current and driver leakage current measurements in shutdown are performed with  $V_{\text{ON/OFF}} = 0.1\text{V}$ . Supply current measurements using DRIVER DISABLE are performed with  $V_{\text{DRIVER DISABLE}} = 3\text{V}$ . For LT1135, LT1139, LT1140 and LT1141 with 12V supplies,  $V_{\text{OUT}}$  leakage is  $200\mu\text{A}$  for  $V_{\text{OUT}}$  forced to  $\pm 25\text{V}$ .

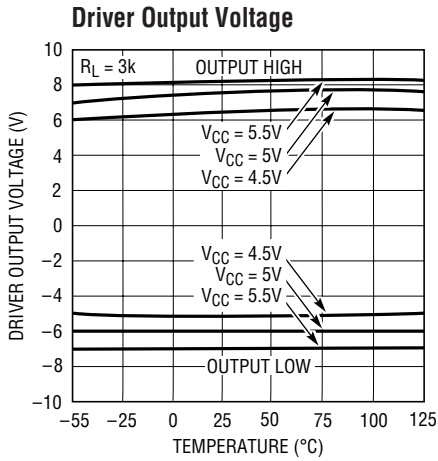
**Note 5:** For driver delay measurements,  $R_L = 3\text{k}$  and  $C_L = 51\text{pF}$ . Trigger points are set between the driver's input logic threshold and the output transition to the zero crossing ( $t_{\text{HL}} = 1.4\text{V}$  to  $0\text{V}$  and  $t_{\text{LH}} = 1.4\text{V}$  to  $0\text{V}$ ).

**Note 6:** For receiver delay measurements,  $C_L = 51\text{pF}$ . Trigger points are set between the receiver's input logic threshold and the output transition to standard TTL/CMOS logic threshold ( $t_{\text{HL}} = 1.3\text{V}$  to  $2.4\text{V}$  and  $t_{\text{LH}} = 1.7\text{V}$  to  $0.8\text{V}$ ).

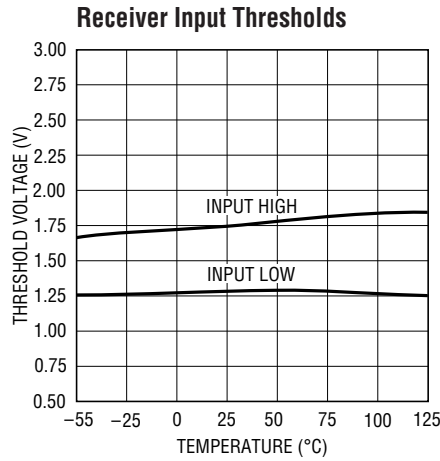
**Note 7:** For LT1133A/LT1137A, absolute maximum externally applied  $V^- = -6.5\text{V}$ . Internal charge pump will drive this pin to a higher negative voltage.

**Note 8:** For LT1137A,  $4\text{V}/\mu\text{s}$  minimum.

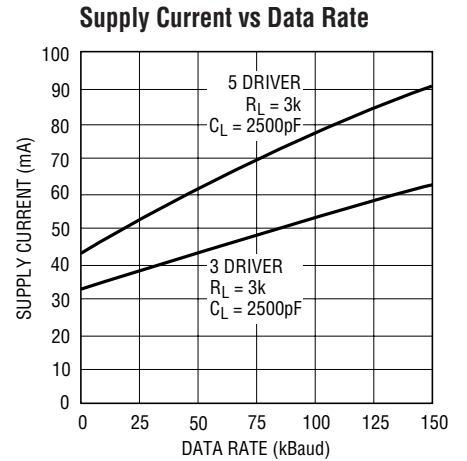
## TYPICAL PERFORMANCE CHARACTERISTICS



LT1130A • TPC01



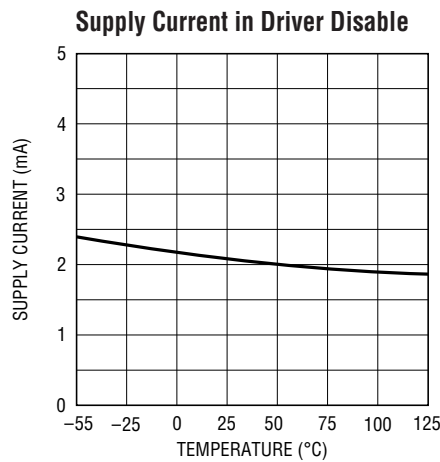
LT1137A • TPC02



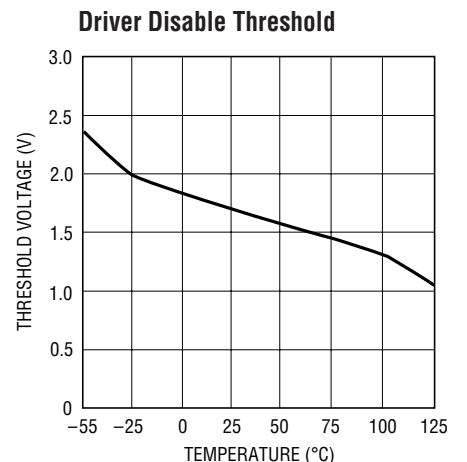
LT1130A • TPC03



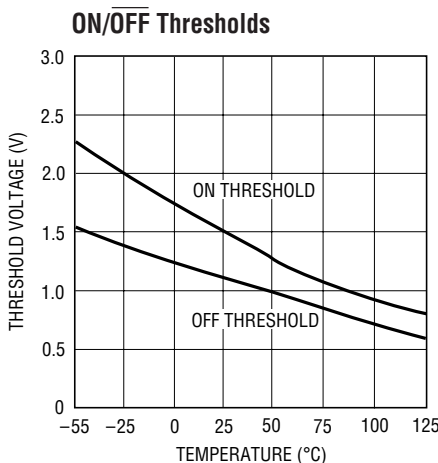
LT1137A • TPC04



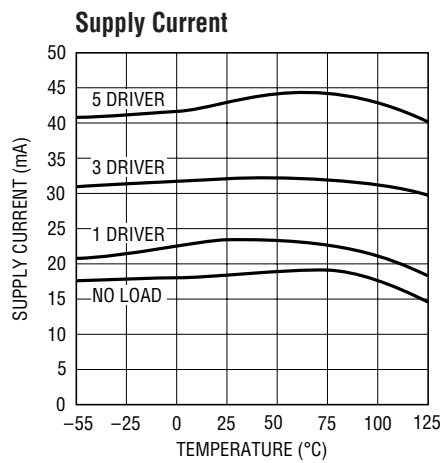
LT1137A • TPC05



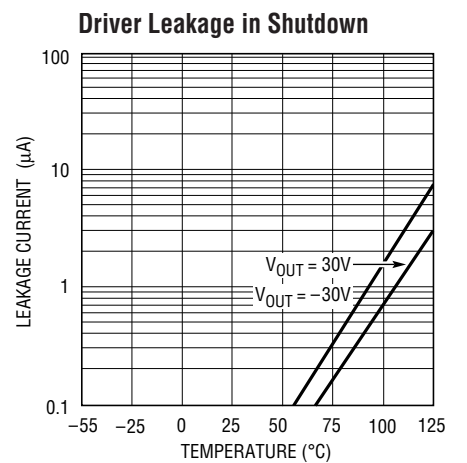
LT1137A • TPC06



LT1137A • TPC07

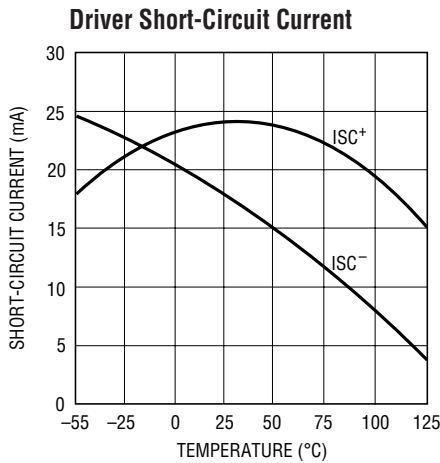


LT1130A • TPC08

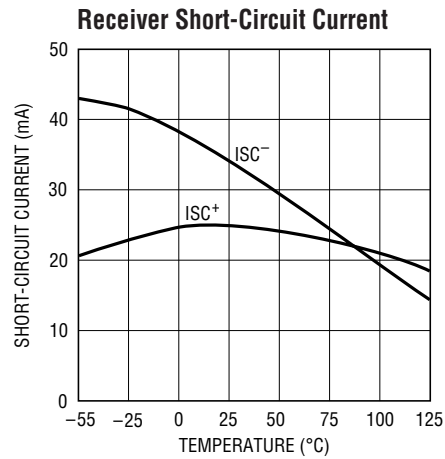


LT1137A • TPC09

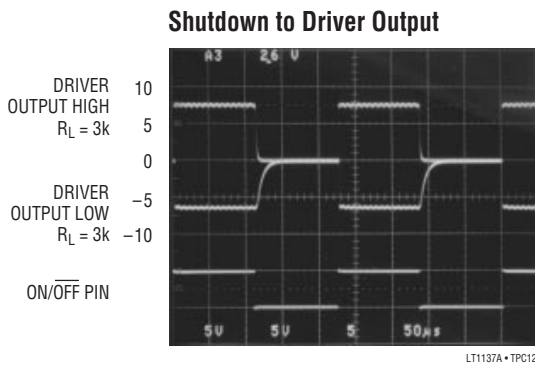
## TYPICAL PERFORMANCE CHARACTERISTICS



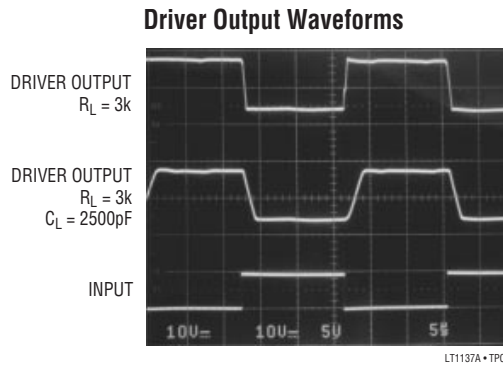
LT1137A • TPC10



LT1137A • TPC11



LT1137A • TPC12



LT1137A • TPC13

## PIN FUNCTIONS

**V<sub>CC</sub>**: 5V Input Supply Pin. Supply current drops to zero in the shutdown mode. This pin should be decoupled with a 0.1µF ceramic capacitor close to the package pin. Insufficient supply bypassing can result in low output drive levels and erratic charge pump operation.

**GND**: Ground Pin.

**ON/OFF**: Control the operation mode of the device and is TTL/CMOS compatible. A logic low puts the device in the shutdown mode which reduces input supply current to zero and places all of the drivers and receivers in high impedance state. A logic high fully enables the transceiver.

**DRIVER DISABLE**: This pin provides an alternate control for the charge pump and RS232 drivers. A logic high on this pin shuts down the charge pump and places all drivers

in a high impedance state. Receivers remain active under these conditions. Floating the DRIVER DISABLE pin or driving it to a logic low level fully enables the transceiver. A logic low on the ON/OFF pin supersedes the state of the DRIVER DISABLE pin. Supply current drops to 4mA when in driver disable mode.

**V<sup>+</sup>**: Positive Supply Output (RS232 Drivers).  $V^+ \approx 2V_{CC} - 1.5V$ . This pin requires an external charge storage capacitor  $C \geq 1.0\mu F$ , tied to ground or  $V_{CC}$ . Larger value capacitors may be used to reduce supply ripple. With multiple transceivers, the  $V^+$  and  $V^-$  pins may be paralleled into common capacitors. For large numbers of transceivers, increasing the size of the shared common storage capacitors is recommended to reduce ripple.

# LT1130A/LT1140A Series

## PIN FUNCTIONS

**V<sup>-</sup>:** Negative Supply Output (RS232 Drivers).  $V^- \approx -(2V_{CC} - 2.5V)$ . This pin requires an external charge storage capacitor  $C \geq 0.1\mu F$ .  $V^-$  is short-circuit proof for 30 seconds.

**C1<sup>+</sup>, C1<sup>-</sup>, C2<sup>+</sup>, C2<sup>-</sup>:** Commutating Capacitor Inputs. These pins require two external capacitors  $C \geq 0.2\mu F$ : one from C1<sup>+</sup> to C1<sup>-</sup>, and another from C2<sup>+</sup> to C2<sup>-</sup>. To maintain charge pump efficiency, the capacitor's effective series resistance should be less than  $2\Omega$ . For  $C \geq 1\mu F$ , low ESR tantalum capacitors work well in this application, although small value ceramic capacitors may be used with a minimal reduction in charge pump compliance. In applications where larger positive voltages are available, such as 12V, C1 may be omitted and the positive voltage may be connected directly to the C1<sup>+</sup> pin. In this mode of operation, the V<sup>+</sup> pin should be decoupled with a  $0.1\mu F$  ceramic capacitor.

**DRIVER IN:** RS232 Driver Input Pins. These inputs are TTL/CMOS compatible. Inputs should not be allowed to float. Tie unused inputs to  $V_{CC}$ .

**DRIVER OUT:** Driver Outputs at RS232 Voltage Levels. Driver output swing meets RS232 levels for loads up to 3k.

Slew rates are controlled for lightly loaded lines. Output current capability is sufficient for load conditions up to 2500pF. Outputs are in a high impedance state when in shutdown mode,  $V_{CC} = 0V$ , or when the DRIVER DISABLE pin is active. Outputs are fully short-circuit protected from  $V^- + 30V$  to  $V^+ - 30V$ . Applying higher voltages will not damage the device if the overdrive is moderately current limited. Short circuits on one output can load the power supply generator and may disrupt the signal levels of the other outputs. The driver outputs are protected against ESD to  $\pm 10kV$  for human body model discharges.

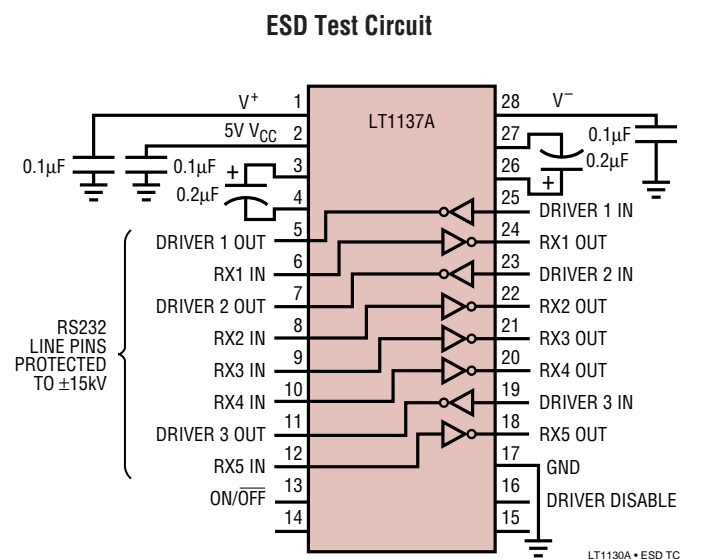
**RX IN:** Receiver Inputs. These pins accept RS232 level signals ( $\pm 30V$ ) into a protected 5k terminating resistor. The receiver inputs are protected against ESD to  $\pm 10kV$  for human body model discharges. Each receiver provides 0.4V of hysteresis for noise immunity. Open receiver inputs assume a logic low state.

**RX OUT:** Receiver Outputs with TTL/CMOS Voltage Levels. Outputs are in a high impedance state when in shutdown mode to allow data line sharing. Outputs are fully short-circuit protected to ground or  $V_{CC}$  with the power on, off, or in shutdown mode.

## ESD PROTECTION

The RS232 line inputs of the LT1130A/LT1140A series of RS232 Driver/Receivers have on-chip protection from ESD transients up to  $\pm 10kV$ . The protection structures act to divert the static discharge safely to system ground. In order for the ESD protection to function effectively, the power supply and ground pins of the LT1130A/LT1140A must be connected to ground through low impedances. The power supply decoupling capacitors and charge pump storage capacitors provide this low impedance in normal application of the circuit. The only constraint is that low ESR capacitors must be used for bypassing and charge storage. ESD testing must be done with pins  $V_{CC}$ ,  $V^+$ ,  $V^-$  and GND shorted to ground or connected with low ESR capacitors.

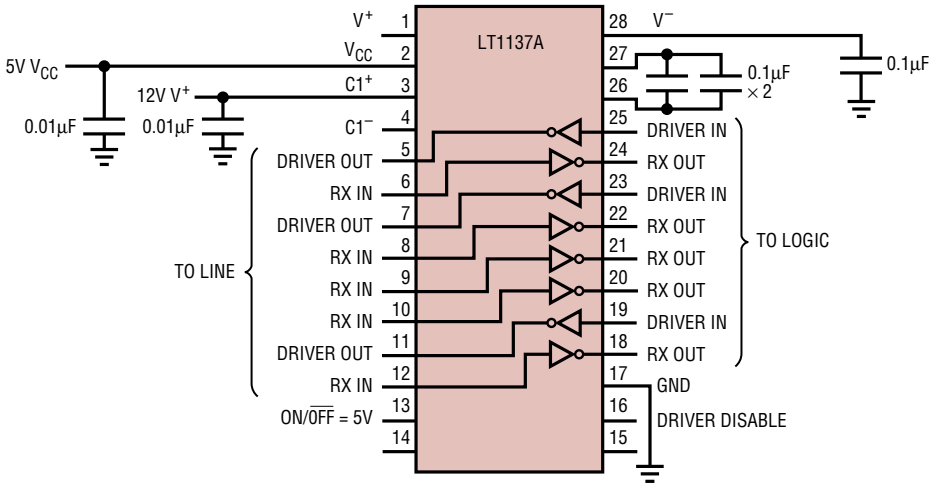
The ESD protection on the LT1133A, LT1137A and LT1141A meets  $\pm 15kV$  air gap discharge and  $\pm 8kV$  contact methods per IEC-1000-4-2.





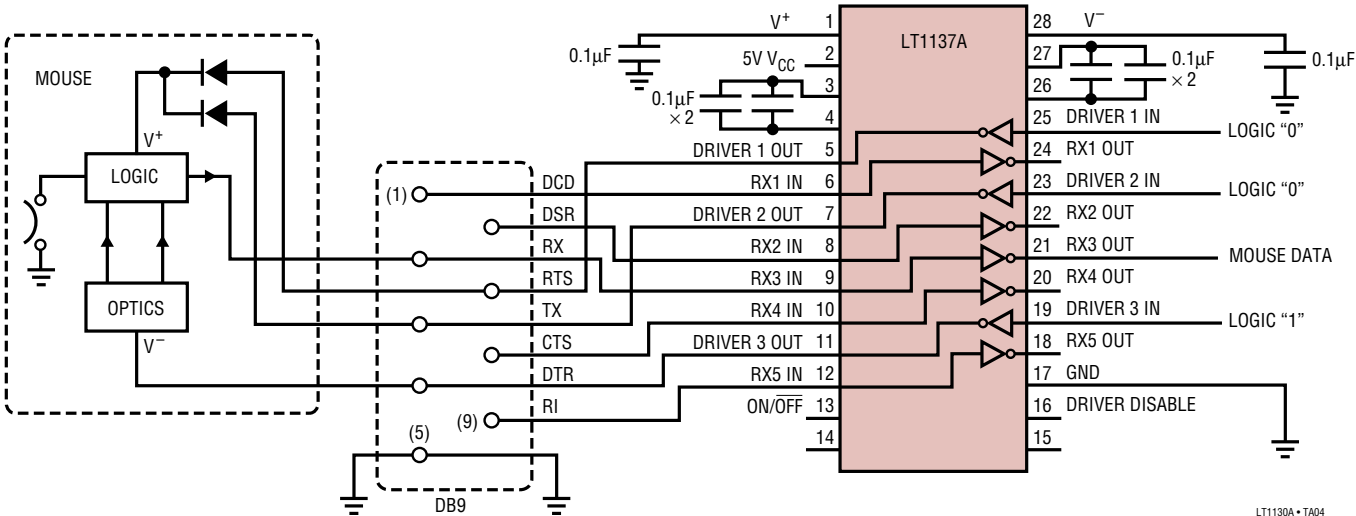
TYPICAL APPLICATIONS

Operation Using 5V and 12V Power Supplies



LT1130A • TA03

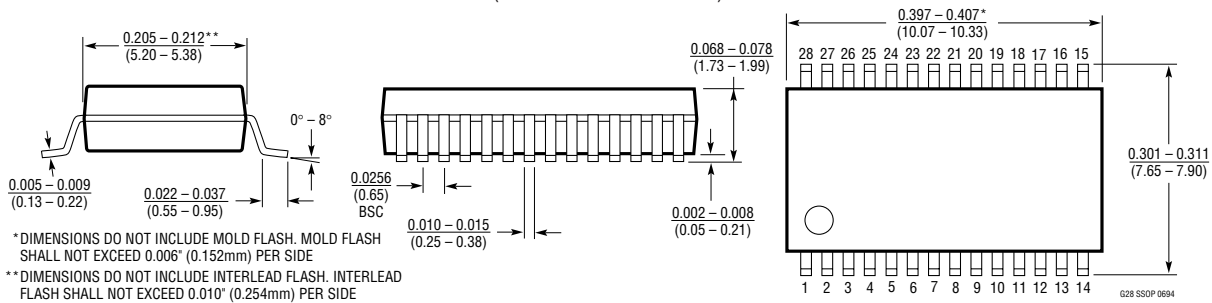
Typical Mouse Driving Application



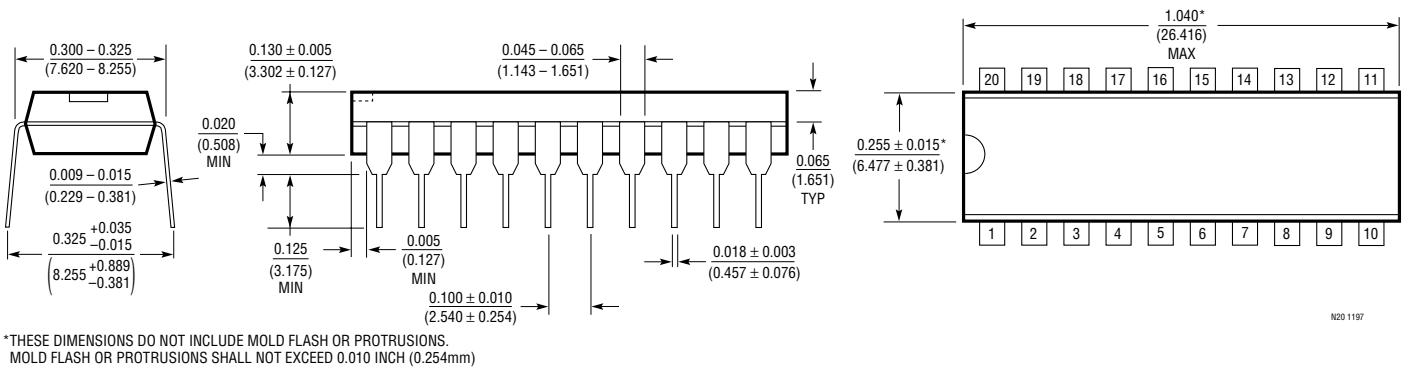
LT1130A • TA04

## PACKAGE DESCRIPTION Dimensions in inches (millimeters) unless otherwise noted.

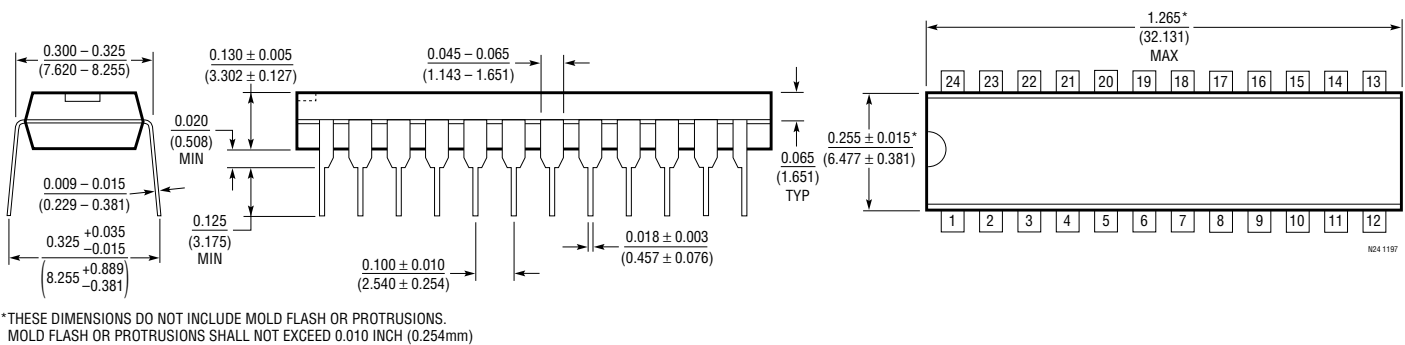
### G Package 28-Lead Plastic SSOP (0.209) (LTC DWG # 05-08-1640)



### N Package 20-Lead PDIP (Narrow 0.300) (LTC DWG # 05-08-1510)

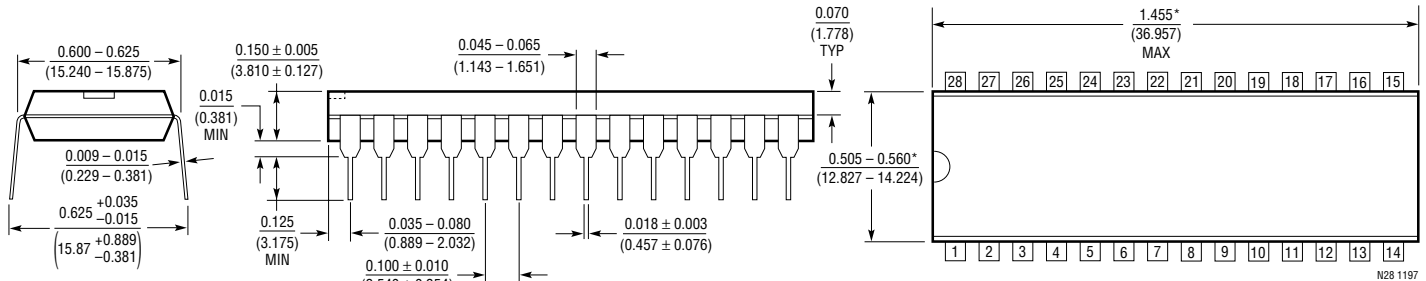


### N Package 24-Lead PDIP (Narrow 0.300) (LTC DWG # 05-08-1510)



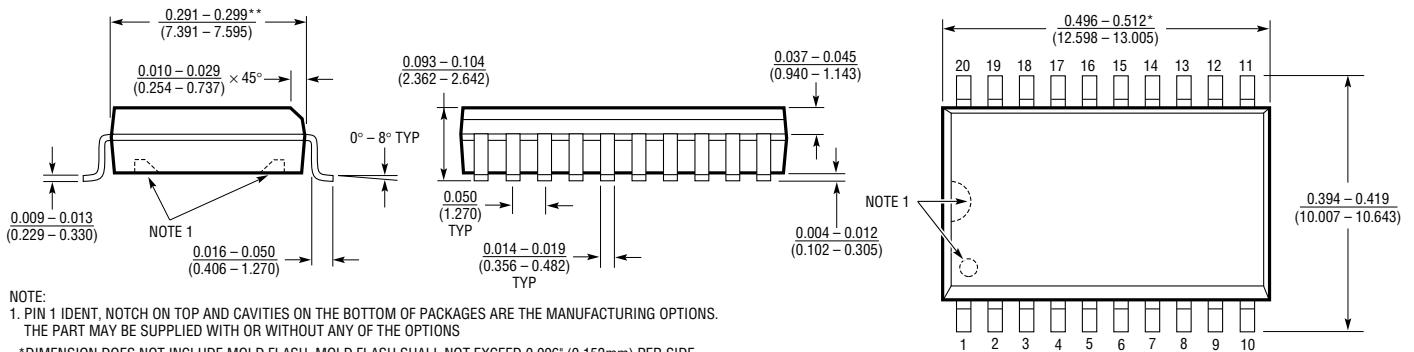
**PACKAGE DESCRIPTION** Dimensions in inches (millimeters) unless otherwise noted.

**NW Package**  
**28-Lead PDIP (Wide 0.600)**  
 (LTC DWG # 05-08-1520)



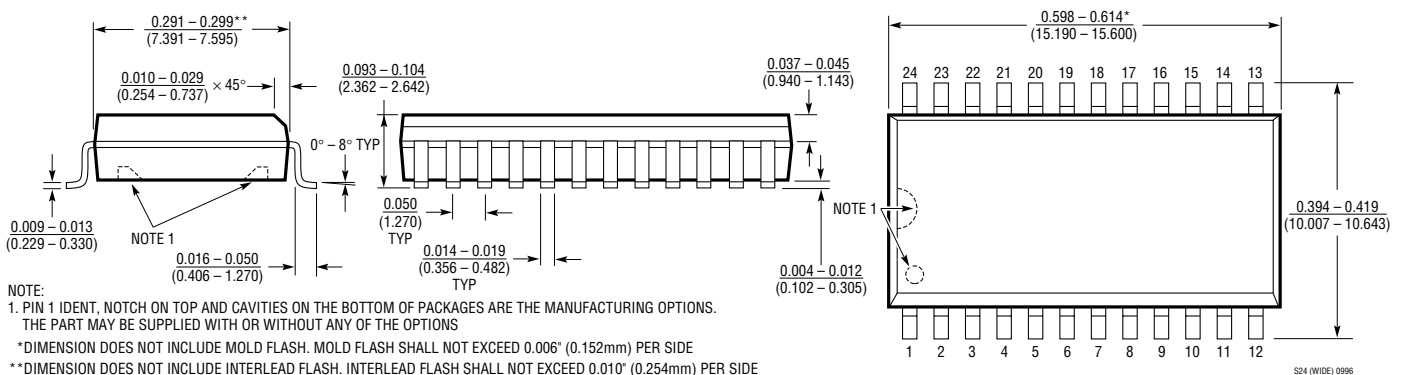
\*THESE DIMENSIONS DO NOT INCLUDE MOLD FLASH OR PROTRUSIONS.  
 MOLD FLASH OR PROTRUSIONS SHALL NOT EXCEED 0.010 INCH (0.254mm)

**SW Package**  
**20-Lead Plastic Small Outline (Wide 0.300)**  
 (LTC DWG # 05-08-1620)



NOTE:  
 1. PIN 1 IDENT, NOTCH ON TOP AND CAVITIES ON THE BOTTOM OF PACKAGES ARE THE MANUFACTURING OPTIONS.  
 THE PART MAY BE SUPPLIED WITH OR WITHOUT ANY OF THE OPTIONS  
 \*DIMENSION DOES NOT INCLUDE MOLD FLASH. MOLD FLASH SHALL NOT EXCEED 0.006" (0.152mm) PER SIDE  
 \*\*DIMENSION DOES NOT INCLUDE INTERLEAD FLASH. INTERLEAD FLASH SHALL NOT EXCEED 0.010" (0.254mm) PER SIDE

**SW Package**  
**24-Lead Plastic Small Outline (Wide 0.300)**  
 (LTC DWG # 05-08-1620)

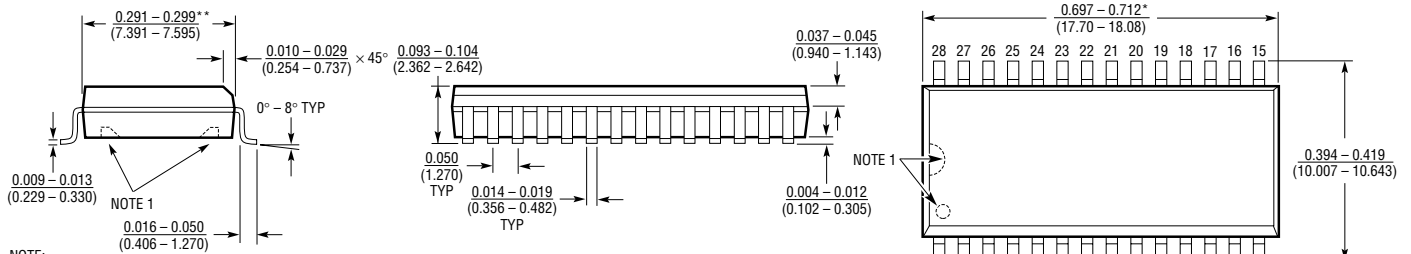


NOTE:  
 1. PIN 1 IDENT, NOTCH ON TOP AND CAVITIES ON THE BOTTOM OF PACKAGES ARE THE MANUFACTURING OPTIONS.  
 THE PART MAY BE SUPPLIED WITH OR WITHOUT ANY OF THE OPTIONS  
 \*DIMENSION DOES NOT INCLUDE MOLD FLASH. MOLD FLASH SHALL NOT EXCEED 0.006" (0.152mm) PER SIDE  
 \*\*DIMENSION DOES NOT INCLUDE INTERLEAD FLASH. INTERLEAD FLASH SHALL NOT EXCEED 0.010" (0.254mm) PER SIDE

# LT1130A/LT1140A Series

## PACKAGE DESCRIPTION Dimensions in inches (millimeters) unless otherwise noted.

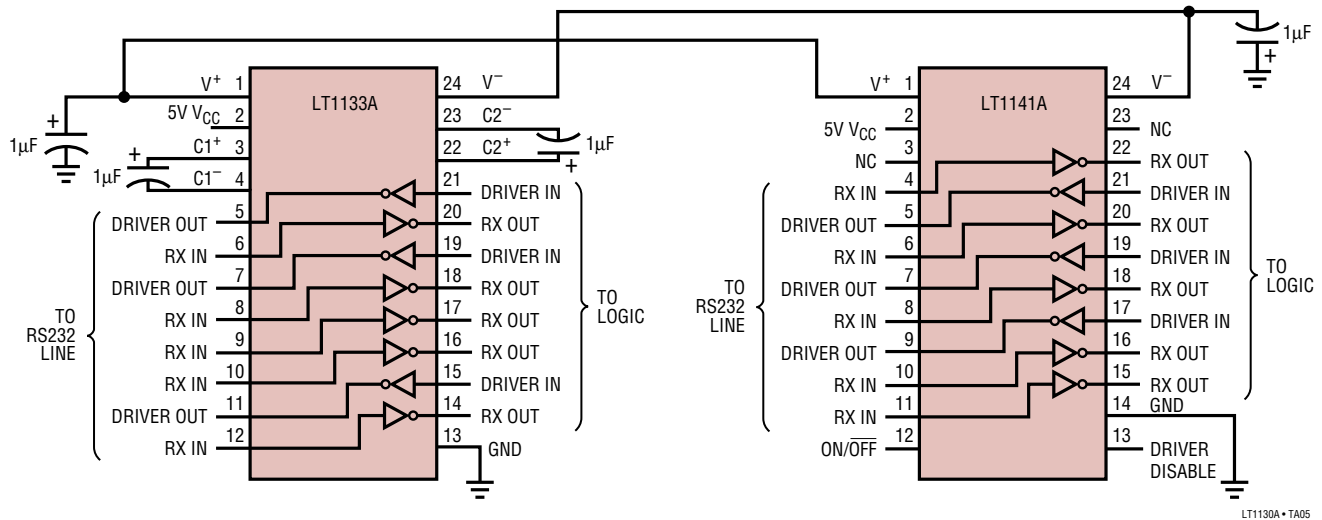
### SW Package 28-Lead Plastic Small Outline (Wide 0.300) (LTC DWG # 05-08-1620)



NOTE:  
1. PIN 1 IDENT, NOTCH ON TOP AND CAVITIES ON THE BOTTOM OF PACKAGES ARE THE MANUFACTURING OPTIONS. THE PART MAY BE SUPPLIED WITH OR WITHOUT ANY OF THE OPTIONS  
\*DIMENSION DOES NOT INCLUDE MOLD FLASH. MOLD FLASH SHALL NOT EXCEED 0.006" (0.152mm) PER SIDE  
\*\*DIMENSION DOES NOT INCLUDE INTERLEAD FLASH. INTERLEAD FLASH SHALL NOT EXCEED 0.010" (0.254mm) PER SIDE

## TYPICAL APPLICATION

### Sharing Power Supply Generator with a Second Transceiver



## RELATED PARTS

| PART NUMBER     | DESCRIPTION                            | COMMENTS                               |
|-----------------|--|--|
| LT1180A/LT1181A | 2-Driver/2-Receiver RS232 Transceivers | Single 5V Supply with 0.1µF Capacitors |
| LT1237          | 3-Driver/5-Receiver RS232 Transceiver  | Lower Power Upgrade for LT1137A        |
| LTC1327         | 3-Driver/5-Receiver RS562 Transceiver  | 3.3V Operation                         |
| LTC1337         | 3-Driver/5-Receiver RS232 Transceiver  | Ultralow Power for DTE Applications    |
| LTC1338         | 5-Driver/3-Receiver RS232 Transceiver  | Ultralow Power for DCE Applications    |
| LTC1348         | 3-Driver/5-Receiver RS232 Transceiver  | 3.3V to 5V Operation                   |