

1.2MHz, 0.4V/ μ s Over-The-Top Micropower Rail-to-Rail Input and Output Op Amps

FEATURES

- Operates with Inputs Above V^+
- Rail-to-Rail Input and Output
- Low Power: 230 μ A per Amplifier Max
- Gain Bandwidth Product: 1.2MHz
- Slew Rate: 0.4V/ μ s
- High Output Current: 25mA Min
- Specified on 3V, 5V and \pm 15V Supplies
- Reverse Battery Protection to 18V
- No Supply Sequencing Problems
- High Voltage Gain: 1500V/mV
- Single Supply Input Range: $-0.4V$ to 44V
- High CMRR: 98dB
- No Phase Reversal
- Available in 14-Lead SO, 8-Lead MSOP and DFN Packages

APPLICATIONS

- Battery- or Solar-Powered Systems
 - Portable Instrumentation
 - Sensor Conditioning
- Supply Current Sensing
- Battery Monitoring
- Micropower Active Filters
- 4mA to 20mA Transmitters

LT, LT, LTC, LTM, Over-The-Top, Linear Technology and the Linear logo are registered trademarks of Linear Technology Corporation. All other trademarks are the property of their respective owners.

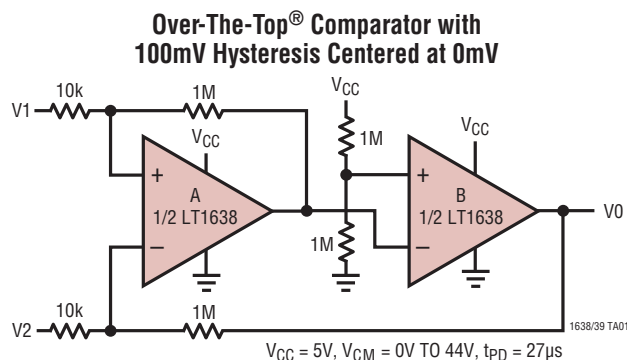
DESCRIPTION

The LT[®]1638 is a low power dual rail-to-rail input and output operational amplifier available in the standard 8-pin PDIP and SO packages as well as the 8-lead MSOP package. The LT1639 is a low power quad rail-to-rail input and output operational amplifier offered in the standard 14-pin PDIP and surface mount packages. For space limited applications the LT1638 is available in a 3mm x 3mm x 0.8mm dual fine pitch leadless package (DFN).

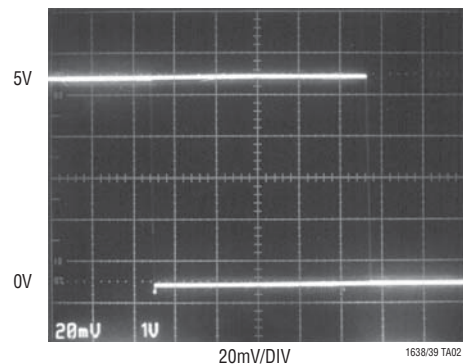
The LT1638/LT1639 op amps operate on all single and split supplies with a total voltage of 2.5V to 44V drawing only 170 μ A of quiescent current per amplifier. These amplifiers are reverse battery protected and draw no current for reverse supply up to 18V.

The input range of the LT1638/LT1639 includes both supplies, and a unique feature of this device is its capability to operate over the top with either or both of its inputs above V^+ . The inputs handle 44V, both differential and common mode, independent of supply voltage. The input stage incorporates phase reversal protection to prevent false outputs from occurring when the inputs are below the negative supply. Protective resistors are included in the input leads so that current does not become excessive when the inputs are forced below the negative supply. The LT1638/LT1639 can drive loads up to 25mA and still maintain rail-to-rail capability. The op amps are unity-gain stable and drive all capacitive loads up to 1000pF when optional output compensation is used.

TYPICAL APPLICATION



Output Voltage vs Input Voltage



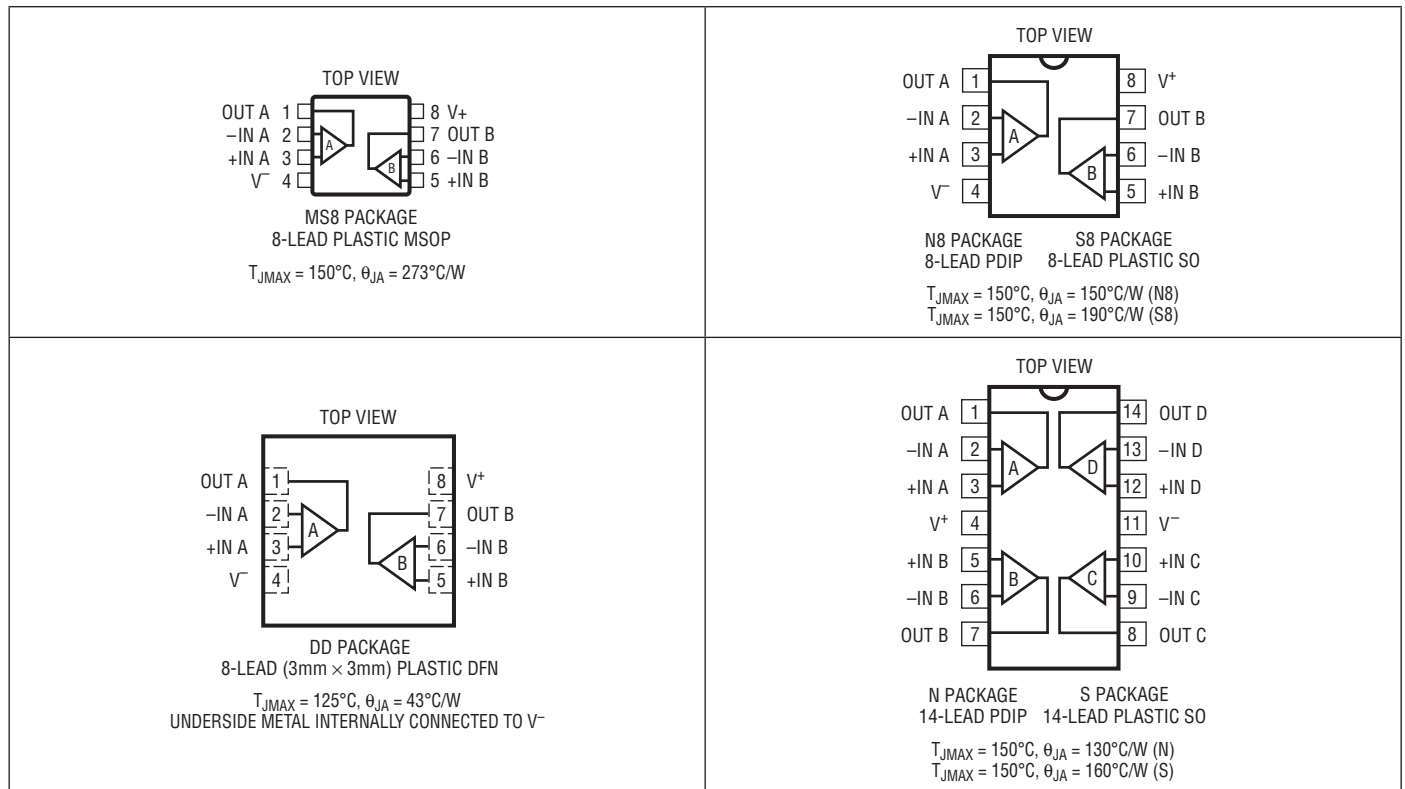
16389fg

ABSOLUTE MAXIMUM RATINGS (Note 1)

| | |
|---|--|
| Total Supply Voltage (V^+ to V^-) | 44V |
| Input Differential Voltage..... | 44V |
| Input Current..... | $\pm 25\text{mA}$ |
| Output Short-Circuit Duration (Note 2) | Continuous |
| Operating Temperature Range (Note 3) | |
| LT1638C/LT1639C..... | -40°C to 85°C |
| LT1638I/LT1639I..... | -40°C to 85°C |
| LT1638H/LT1639H..... | -40°C to 125°C |

| | |
|--|--|
| Specified Temperature Range (Note 4) | |
| LT1638C/LT1639C..... | -40°C to 85°C |
| LT1638I/LT1639I..... | -40°C to 85°C |
| LT1638H/LT1639H..... | -40°C to 125°C |
| Junction Temperature | 150°C |
| DD Package | 125°C |
| Storage Temperature Range..... | -65°C to 150°C |
| DD Package | -65°C to 125°C |
| Lead Temperature (Soldering, 10 sec) | 300°C |

PIN CONFIGURATION



ORDER INFORMATION

| LEAD FREE FINISH | TAPE AND REEL | PART MARKING* | PACKAGE DESCRIPTION | SPECIFIED TEMPERATURE RANGE |
|------------------|------------------|---------------|--------------------------------|-----------------------------|
| LT1638CMS8#PBF | LT1638CMS8#TRPBF | LTCY | 8-Lead Plastic MSOP | -40°C to 85°C |
| LT1638IMS8#PBF | LT1638IMS8#TRPBF | LTCY | 8-Lead Plastic MSOP | -40°C to 85°C |
| LT1638CDD#PBF | LT1638CDD#TRPBF | LAAL | 8-Lead (3mm × 3mm) Plastic DFN | -40°C to 85°C |
| LT1638IDD#PBF | LT1638IDD#TRPBF | LAAL | 8-Lead (3mm × 3mm) Plastic DFN | -40°C to 85°C |
| LT1638CN8#PBF | LT1638CN8#TRPBF | LT1638CN8 | 8-Lead PDIP | -40°C to 85°C |
| LT1638IN8#PBF | LT1638IN8#TRPBF | LT1638IN8 | 8-Lead PDIP | -40°C to 85°C |
| LT1638CS8#PBF | LT1638CS8#TRPBF | 1638 | 8-Lead Plastic SO | -40°C to 85°C |
| LT1638IS8#PBF | LT1638IS8#TRPBF | 1638I | 8-Lead Plastic SO | -40°C to 85°C |
| LT1638HS8#PBF | LT1638HS8#TRPBF | 1638H | 8-Lead Plastic SO | -40°C to 125°C |
| LT1639CN#PBF | LT1639CN#TRPBF | LT1639CN | 14-Lead PDIP | -40°C to 85°C |
| LT1639IN#PBF | LT1639IN#TRPBF | LT1639IN | 14-Lead PDIP | -40°C to 85°C |
| LT1639CS#PBF | LT1639CS#TRPBF | LT1639CS | 14-Lead Plastic SO | -40°C to 85°C |
| LT1639IS#PBF | LT1639IS#TRPBF | LT1639IS | 14-Lead Plastic SO | -40°C to 85°C |
| LT1639HS#PBF | LT1639HS#TRPBF | LT1639HS | 14-Lead Plastic SO | -40°C to 125°C |

Consult LTC Marketing for parts specified with wider operating temperature ranges. *The temperature grade is identified by a label on the shipping container. Consult LTC Marketing for information on non-standard lead based finish parts.

For more information on lead free part marking, go to: <http://www.linear.com/leadfree/>

For more information on tape and reel specifications, go to: <http://www.linear.com/tapeandreeel/>

ELECTRICAL CHARACTERISTICS

The ● denotes the specifications which apply over the specified temperature range, otherwise specifications are at $T_A = 25^\circ\text{C}$.
 $V_S = 3\text{V}, 0\text{V}$; $V_S = 5\text{V}, 0\text{V}$; $V_{CM} = V_{OUT} = \text{half supply}$, unless otherwise noted. (Note 4)

| SYMBOL | PARAMETER | CONDITIONS | LT1638C/LT1639C, LT1638I/LT1639I | | | UNITS |
|-----------|--|--|----------------------------------|------|------|------------------------------|
| | | | MIN | TYP | MAX | |
| V_{OS} | Input Offset Voltage | LT1638 N, S Packages $0^\circ\text{C} \leq T_A \leq 70^\circ\text{C}$ $-40^\circ\text{C} \leq T_A \leq 85^\circ\text{C}$ | ● | 200 | 600 | μV |
| | | | ● | | 850 | μV |
| | | | ● | | 950 | μV |
| | | LT1639 N, S Packages $0^\circ\text{C} \leq T_A \leq 70^\circ\text{C}$ $-40^\circ\text{C} \leq T_A \leq 85^\circ\text{C}$ | ● | 300 | 700 | μV |
| | | | ● | | 950 | μV |
| | | | ● | | 1050 | μV |
| | | LT1638 MS8 Package $0^\circ\text{C} \leq T_A \leq 70^\circ\text{C}$ $-40^\circ\text{C} \leq T_A \leq 85^\circ\text{C}$ | ● | 350 | 900 | μV |
| | | | ● | | 1150 | μV |
| | | | ● | | 1450 | μV |
| | | LT1638 DD Package $0^\circ\text{C} \leq T_A \leq 70^\circ\text{C}$ $-40^\circ\text{C} \leq T_A \leq 85^\circ\text{C}$ | ● | 400 | 1100 | μV |
| | | | ● | | 1350 | μV |
| | | | ● | | 1450 | μV |
| | Input Offset Voltage Drift (Note 9) | LT1638/LT1639 N, S Packages LT1638MS8, LT1638DD | ● | 2 | 6 | $\mu\text{V}/^\circ\text{C}$ |
| | | | ● | 2.5 | 7 | $\mu\text{V}/^\circ\text{C}$ |
| I_{OS} | Input Offset Current | $V_{CM} = 44\text{V}$ (Note 5) | ● | 1 | 6 | nA |
| | | | ● | | 2.5 | μA |
| I_B | Input Bias Current | $V_{CM} = 44\text{V}$ (Note 5) $V_S = 0\text{V}$ | ● | 20 | 50 | nA |
| | | | ● | 8 | 30 | μA |
| | | | ● | 0.1 | | nA |
| | Input Noise Voltage | 0.1Hz to 10Hz | | 1 | | μV_{P-P} |
| e_n | Input Noise Voltage Density | $f = 1\text{kHz}$ | | 20 | | $\text{nV}/\sqrt{\text{Hz}}$ |
| i_n | Input Noise Current Density | $f = 1\text{kHz}$ | | 0.3 | | $\text{pA}/\sqrt{\text{Hz}}$ |
| R_{IN} | Input Resistance | Differential Common Mode, $V_{CM} = 0\text{V}$ to 44V | | 1 | 2.5 | $\text{M}\Omega$ |
| | | | | 1.4 | 5.5 | $\text{M}\Omega$ |
| C_{IN} | Input Capacitance | | | 5 | | pF |
| | Input Voltage Range | | ● | 0 | 44 | V |
| CMRR | Common Mode Rejection Ratio | $V_{CM} = 0\text{V}$ to $V_{CC} - 1\text{V}$ $V_{CM} = 0\text{V}$ to 44V (Note 8) | ● | 88 | 98 | dB |
| | | | ● | 80 | 88 | dB |
| A_{VOL} | Large-Signal Voltage Gain | $V_S = 3\text{V}$, $V_O = 500\text{mV}$ to 2.5V, $R_L = 10\text{k}$ $0^\circ\text{C} \leq T_A \leq 70^\circ\text{C}$ $-40^\circ\text{C} \leq T_A \leq 85^\circ\text{C}$ | ● | 200 | 1500 | V/mV |
| | | | ● | 133 | | V/mV |
| | | | ● | 100 | | V/mV |
| | | $V_S = 5\text{V}$, $V_O = 500\text{mV}$ to 4.5V, $R_L = 10\text{k}$ $0^\circ\text{C} \leq T_A \leq 70^\circ\text{C}$ $-40^\circ\text{C} \leq T_A \leq 85^\circ\text{C}$ | ● | 400 | 1500 | V/mV |
| | | | ● | 250 | | V/mV |
| | | | ● | 200 | | V/mV |
| V_{OL} | Output Voltage Swing Low | $V_S = 3\text{V}$, No Load $V_S = 3\text{V}$, $I_{SINK} = 5\text{mA}$ | ● | 3 | 8 | mV |
| | | | ● | 250 | 450 | mV |
| | | $V_S = 5\text{V}$, No Load $V_S = 5\text{V}$, $I_{SINK} = 10\text{mA}$ | ● | 3 | 8 | mV |
| | | | ● | 500 | 700 | mV |
| V_{OH} | Output Voltage Swing High | $V_S = 3\text{V}$, No Load $V_S = 3\text{V}$, $I_{SOURCE} = 5\text{mA}$ | ● | 2.94 | 2.98 | V |
| | | | ● | 2.25 | 2.40 | V |
| | | $V_S = 5\text{V}$, No Load $V_S = 5\text{V}$, $I_{SOURCE} = 10\text{mA}$ | ● | 4.94 | 4.98 | V |
| | | | ● | 3.8 | 4.0 | V |
| I_{SC} | Short-Circuit Current (Note 2) | $V_S = 3\text{V}$, Short to GND $V_S = 3\text{V}$, Short to V_{CC} | | 10 | 15 | mA |
| | | | | 15 | 25 | mA |
| | | $V_S = 5\text{V}$, Short to GND $V_S = 5\text{V}$, Short to V_{CC} | | 15 | 20 | mA |
| | | | | 15 | 25 | mA |

ELECTRICAL CHARACTERISTICS

The ● denotes the specifications which apply over the specified temperature range, otherwise specifications are at $T_A = 25^\circ\text{C}$. $V_S = 3\text{V}, 0\text{V}; V_S = 5\text{V}, 0\text{V}; V_{CM} = V_{OUT} = \text{half supply}$, unless otherwise noted. (Note 4)

| SYMBOL | PARAMETER | CONDITIONS | LT1638C/LT1639C, LT1638I/LT1639I | | | UNITS |
|--------|---------------------------------------|--|----------------------------------|-------|------------|--------------------------------|
| | | | MIN | TYP | MAX | |
| PSRR | Power Supply Rejection Ratio | $V_S = 3\text{V}$ to 12.5V , $V_{CM} = V_O = 1\text{V}$ | ● | 90 | 100 | dB |
| | Reverse Supply Voltage | $I_S = -100\mu\text{A}$ per Amplifier | ● | 18 | 27 | V |
| | Minimum Operating Supply Voltage | | ● | 2.4 | 2.7 | V |
| I_S | Supply Current per Amplifier (Note 6) | | ● | 170 | 230 275 | μA μA |
| GBW | Gain Bandwidth Product (Note 5) | $f = 5\text{kHz}$ | ● | 650 | 1075 | kHz |
| | | $0^\circ\text{C} \leq T_A \leq 70^\circ\text{C}$ | ● | 550 | | kHz |
| | | $-40^\circ\text{C} \leq T_A \leq 85^\circ\text{C}$ | ● | 500 | | kHz |
| SR | Slew Rate (Note 7) | $A_V = -1, R_L = \infty$ | ● | 0.210 | 0.38 | V/ μs |
| | | $0^\circ\text{C} \leq T_A \leq 70^\circ\text{C}$ | ● | 0.185 | | V/ μs |
| | | $-40^\circ\text{C} \leq T_A \leq 85^\circ\text{C}$ | ● | 0.170 | | V/ μs |

The ● denotes the specifications which apply over the specified temperature range, otherwise specifications are at $T_A = 25^\circ\text{C}$. $V_S = \pm 15\text{V}, V_{CM} = 0\text{V}, V_{OUT} = 0\text{V}$, unless otherwise noted. (Note 4)

| SYMBOL | PARAMETER | CONDITIONS | LT1638C/LT1639C, LT1638I/LT1639I | | | UNITS |
|-----------|-------------------------------------|---|----------------------------------|------------|-------------|------------------------------|
| | | | MIN | TYP | MAX | |
| V_{OS} | Input Offset Voltage | LT1638 N, S Packages | ● | 250 | 800 | μV |
| | | $0^\circ\text{C} \leq T_A \leq 70^\circ\text{C}$ | ● | | 1000 | μV |
| | | $-40^\circ\text{C} \leq T_A \leq 85^\circ\text{C}$ | ● | | 1100 | μV |
| | | LT1639 N, S Packages | ● | 350 | 900 | μV |
| | | $0^\circ\text{C} \leq T_A \leq 70^\circ\text{C}$ | ● | | 1100 | μV |
| | | $-40^\circ\text{C} \leq T_A \leq 85^\circ\text{C}$ | ● | | 1200 | μV |
| | | LT1638 MS8 Package | ● | 400 | 1050 | μV |
| | | $0^\circ\text{C} \leq T_A \leq 70^\circ\text{C}$ | ● | | 1250 | μV |
| | | $-40^\circ\text{C} \leq T_A \leq 85^\circ\text{C}$ | ● | | 1550 | μV |
| | | LT1638 DD Package | ● | 450 | 1250 | μV |
| | | $0^\circ\text{C} \leq T_A \leq 70^\circ\text{C}$ | ● | | 1450 | μV |
| | | $-40^\circ\text{C} \leq T_A \leq 85^\circ\text{C}$ | ● | | 1550 | μV |
| | Input Offset Voltage Drift (Note 9) | LT1638/LT1639 N, S Packages | ● | 2 | 6 | $\mu\text{V}/^\circ\text{C}$ |
| | | LT1638MS8, LT1638DD | ● | 2.5 | 7 | $\mu\text{V}/^\circ\text{C}$ |
| I_{OS} | Input Offset Current | | ● | 1 | 6 | nA |
| I_B | Input Bias Current | | ● | 20 | 50 | nA |
| | Input Noise Voltage | 0.1Hz to 10Hz | | 1 | | μV_{P-P} |
| e_n | Input Noise Voltage Density | $f = 1\text{kHz}$ | | 20 | | nV/ $\sqrt{\text{Hz}}$ |
| i_n | Input Noise Current Density | $f = 1\text{kHz}$ | | 0.3 | | pA/ $\sqrt{\text{Hz}}$ |
| R_{IN} | Input Resistance | Differential | | 1 | 2.5 | M Ω |
| | | Common Mode, $V_{CM} = -15\text{V}$ to 14V | | | 500 | M Ω |
| C_{IN} | Input Capacitance | | | 4.5 | | pF |
| | Input Voltage Range | | ● | -15 | 29 | V |
| CMRR | Common Mode Rejection Ratio | $V_{CM} = -15\text{V}$ to 29V | ● | 80 | 88 | dB |
| A_{VOL} | Large-Signal Voltage Gain | $V_O = \pm 14\text{V}, R_L = 10\text{k}$ | ● | 200 | 500 | V/mV |
| | | $0^\circ\text{C} \leq T_A \leq 70^\circ\text{C}$ | ● | 125 | | V/mV |
| | | $-40^\circ\text{C} \leq T_A \leq 85^\circ\text{C}$ | ● | 100 | | V/mV |
| V_O | Output Voltage Swing | No Load | ● | ± 14.9 | ± 14.95 | V |
| | | $I_{OUT} = \pm 10\text{mA}$ | ● | ± 13.7 | ± 14.0 | V |

ELECTRICAL CHARACTERISTICS The ● denotes the specifications which apply over the specified temperature range, otherwise specifications are at $T_A = 25^\circ\text{C}$. $V_S = \pm 15\text{V}$, $V_{CM} = 0\text{V}$, $V_{OUT} = 0\text{V}$, unless otherwise noted. (Note 4)

| SYMBOL | PARAMETER | CONDITIONS | LT1638C/LT1639C, LT1638I/LT1639I | | | UNITS |
|----------|--------------------------------|--|----------------------------------|-------|-------------------|--|
| | | | MIN | TYP | MAX | |
| I_{SC} | Short-Circuit Current (Note 2) | Short to GND $0^\circ\text{C} \leq T_A \leq 70^\circ\text{C}$ $-40^\circ\text{C} \leq T_A \leq 85^\circ\text{C}$ | ● | 25 | 40 | mA mA mA |
| | | | ● | 20 | | |
| | | | ● | 15 | | |
| PSRR | Power Supply Rejection Ratio | $V_S = \pm 1.5\text{V}$ to $\pm 22\text{V}$ | ● | 90 | 100 | dB |
| I_S | Supply Current per Amplifier | | ● | | 205 280 350 | μA μA μA |
| GBW | Gain Bandwidth Product | $f = 5\text{kHz}$ $0^\circ\text{C} \leq T_A \leq 70^\circ\text{C}$ $-40^\circ\text{C} \leq T_A \leq 85^\circ\text{C}$ | ● | 750 | 1200 | kHz kHz kHz |
| | | | ● | 650 | | |
| | | | ● | 600 | | |
| SR | Slew Rate | $A_V = -1$, $R_L = \infty$, $V_O = \pm 10\text{V}$ $0^\circ\text{C} \leq T_A \leq 70^\circ\text{C}$ $-40^\circ\text{C} \leq T_A \leq 85^\circ\text{C}$ | ● | 0.225 | 0.4 | V/ μs V/ μs V/ μs |
| | | | ● | 0.2 | | |
| | | | ● | 0.18 | | |

The ● denotes the specifications which apply over the full operating temperature range of $-40^\circ\text{C} \leq T_A \leq 125^\circ\text{C}$. $V_S = 3\text{V}$, 0V ; $V_S = 5\text{V}$, 0V ; $V_{CM} = V_{OUT} = \text{Half Supply}$ unless otherwise specified. (Note 4)

| SYMBOL | PARAMETER | CONDITIONS | LT1638H/LT1639H | | | UNITS |
|-----------|-------------------------------------|--|-----------------|------------|------------|--------------------------------------|
| | | | MIN | TYP | MAX | |
| V_{OS} | Input Offset Voltage | LT1638S8 | ● | 200 | 650 3 | μV mV |
| | | LT1639S | ● | 300 | 750 3.2 | μV mV |
| | Input Offset Voltage Drift (Note 9) | | ● | | 15 | $\mu\text{V}/^\circ\text{C}$ |
| I_{OS} | Input Offset Current | $V_{CM} = 44\text{V}$ (Note 5) | ● | | 15 | nA |
| | | | ● | | 10 | μA |
| I_B | Input Bias Current | $V_{CM} = 44\text{V}$ (Note 5) | ● | | 150 | nA |
| | | | ● | | 100 | μA |
| | Input Voltage Range | | ● | 0.3 | 44 | V |
| CMRR | Common Mode Rejection Ratio | $V_{CM} = 0.3\text{V}$ to $V_{CC} - 1\text{V}$ | ● | 76 | | dB |
| | | $V_{CM} = 0.3\text{V}$ to 44V | ● | 72 | | dB |
| A_{VOL} | Large-Signal Voltage Gain | $V_S = 3\text{V}$, $V_O = 500\text{mV}$ to 2.5V , $R_L = 10\text{k}$ | ● | 200 20 | 1500 | V/mV V/mV |
| | | $V_S = 5\text{V}$, $V_O = 500\text{mV}$ to 4.5V , $R_L = 10\text{k}$ | ● | 400 35 | 1500 | V/mV V/mV |
| V_{OL} | Output Voltage Swing Low | No Load | ● | | 15 | mV |
| | | $I_{SINK} = 5\text{mA}$ | ● | | 900 | mV |
| | | $V_S = 5\text{V}$, $I_{SINK} = 10\text{mA}$ | ● | | 1500 | mV |
| V_{OH} | Output Voltage Swing High | $V_S = 3\text{V}$, No Load | ● | 2.9 | | V |
| | | $V_S = 3\text{V}$, $I_{SOURCE} = 5\text{mA}$ | ● | 2 | | V |
| | | $V_S = 5\text{V}$, No Load | ● | 4.9 | | V |
| | | $V_S = 5\text{V}$, $I_{SOURCE} = 10\text{mA}$ | ● | 3.5 | | V |
| PSRR | Power Supply Rejection Ratio | $V_S = 3\text{V}$ to 12.5V , $V_{CM} = V_O = 1\text{V}$ | ● | 80 | | dB |
| | | | ● | 2.7 | | V |
| | | | ● | 18 | | V |
| I_S | Supply Current (Note 6) | | ● | 170 | 230 450 | μA μA |
| | | | ● | | | |
| GBW | Gain Bandwidth Product (Note 5) | $f = 5\text{kHz}$ | ● | 650 350 | 1075 | kHz kHz |
| | | | ● | | | |
| SR | Slew Rate (Note 7) | $A_V = -1$, $R_L = \infty$ | ● | 0.21 | 0.38 | V/ μs V/ μs |
| | | | ● | 0.1 | | |

ELECTRICAL CHARACTERISTICS

The ● denotes the specifications which apply over the full operating temperature range of $-40^{\circ}\text{C} \leq T_A \leq 125^{\circ}\text{C}$, otherwise specifications are at $T_A = 25^{\circ}\text{C}$. $V_S = \pm 15\text{V}$, $V_{CM} = 0\text{V}$, $V_{OUT} = 0\text{V}$, $V_{SHDN} = V^-$ unless otherwise specified. (Note 4)

| SYMBOL | PARAMETER | CONDITIONS | LT1638H/LT1639H | | | UNITS |
|-----------|-------------------------------------|---|-----------------|--------------|------|--------------------------------------|
| | | | MIN | TYP | MAX | |
| V_{OS} | Input Offset Voltage | LT1638S8 | ● | 250 | 850 | μV mV |
| | | LT1639S | ● | 350 | 950 | μV mV |
| | Input Offset Voltage Drift (Note 9) | | ● | | 15 | $\mu\text{V}/^{\circ}\text{C}$ |
| I_{OS} | Input Offset Current | | ● | | 25 | nA |
| I_B | Input Bias Current | | ● | | 250 | nA |
| CMRR | Common Mode Rejection Ratio | $V_{CM} = -14.7\text{V}$ to 29V | ● | 72 | | dB |
| A_{VOL} | Large-Signal Voltage Gain | $V_O = \pm 14\text{V}$, $R_L = 10\text{k}$ | ● | 200 15 | 500 | V/mV V/mV |
| V_O | Output Voltage Swing | No Load | ● | ± 14.8 | | V |
| | | $I_{OUT} = \pm 5\text{mA}$ | ● | ± 14 | | V |
| | | $I_{OUT} = \pm 10\text{mA}$ | ● | ± 13.4 | | V |
| PSRR | Power Supply Rejection Ratio | $V_S = \pm 1.5\text{V}$ to $\pm 22\text{V}$ | ● | 84 | | dB |
| | Minimum Supply Voltage | | ● | ± 1.35 | | V |
| I_S | Supply Current | | ● | 205 | 280 | μA μA |
| | | | | | 550 | |
| GBW | Gain Bandwidth Product | $f = 5\text{kHz}$ | ● | 750 400 | 1200 | kHz kHz |
| | | | ● | | | |
| SR | Slew Rate | $A_V = -1$, $R_L = \infty$, $V_O = \pm 10\text{V}$, Measured at $V_O = \pm 5\text{V}$ | ● | 0.225 0.1 | 0.4 | V/ μs V/ μs |
| | | | ● | | | |

Note 1: Stresses beyond those listed under Absolute Maximum Ratings may cause permanent damage to the device. Exposure to any Absolute Maximum Rating condition for extended periods may affect device reliability and lifetime.

Note 2: A heat sink may be required to keep the junction temperature below absolute maximum. This depends on the power supply voltage and how many amplifiers are shorted.

Note 3: The LT1638C/LT1639C and LT1638I/LT1639I are guaranteed functional over the operating temperature range of -40°C to 85°C . The LT1638H/LT1639H are guaranteed functional over the operating temperature range of -40°C to 125°C .

Note 4: The LT1638C/LT1639C are guaranteed to meet specified performance from 0°C to 70°C and are designed, characterized and expected to meet specified performance from -40°C to 85°C but not

tested or QA sampled at these temperatures. The LT1638I/LT1639I are guaranteed to meet specified performance from -40°C to 85°C . The LT1638H/LT1639H are guaranteed to meet specified performance from -40°C to 125°C .

Note 5: $V_S = 5\text{V}$ limits are guaranteed by correlation to $V_S = 3\text{V}$ and $V_S = \pm 15\text{V}$ or $V_S = \pm 22\text{V}$ tests.

Note 6: $V_S = 3\text{V}$ limits are guaranteed by correlation to $V_S = 5\text{V}$ and $V_S = \pm 15\text{V}$ or $V_S = \pm 22\text{V}$ tests.

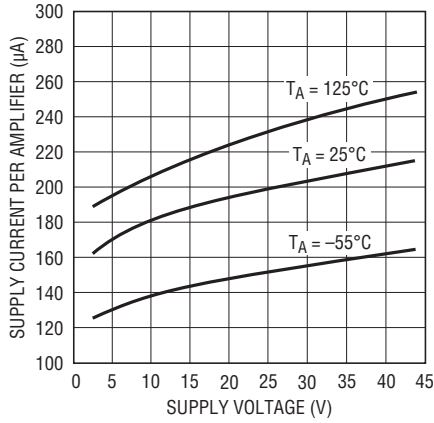
Note 7: Guaranteed by correlation to slew rate at $V_S = \pm 15\text{V}$, and GBW at $V_S = 3\text{V}$ and $V_S = \pm 15\text{V}$ tests.

Note 8: This specification implies a typical input offset voltage of 2mV at $V_{CM} = 44\text{V}$ and a maximum input offset voltage of 5mV at $V_{CM} = 44\text{V}$.

Note 9: This parameter is not 100% tested.

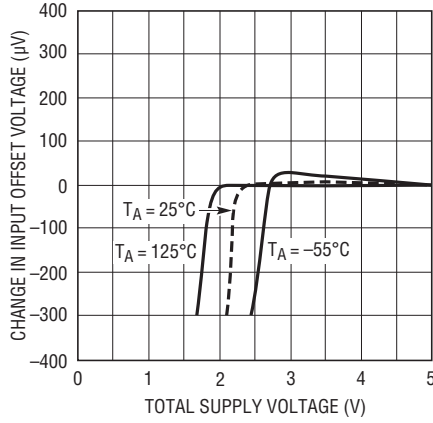
TYPICAL PERFORMANCE CHARACTERISTICS

Supply Current vs Supply Voltage



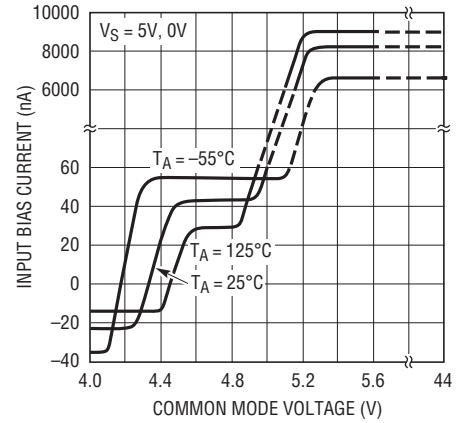
1638/39 G01

Minimum Supply Voltage



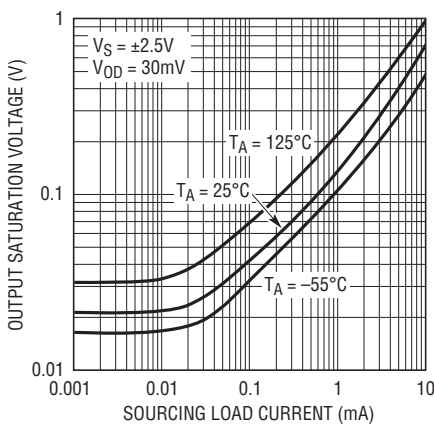
1638/39 G02

Input Bias Current vs Common Mode Voltage



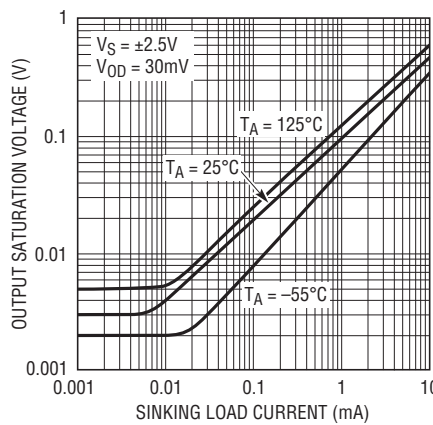
1638/39 G03

Output Saturation Voltage vs Load Current (Output High)



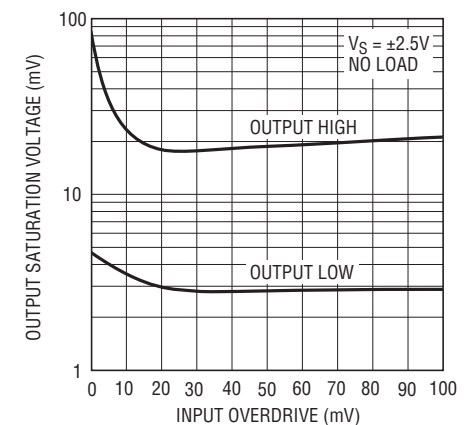
1638/39 G04

Output Saturation Voltage vs Load Current (Output Low)



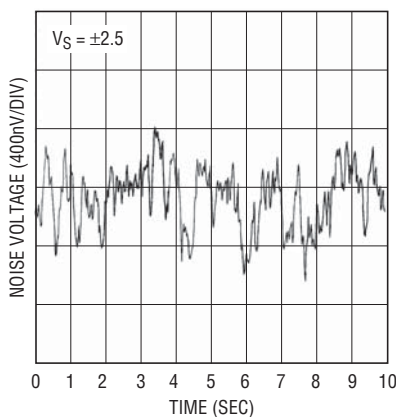
1638/39 G05

Output Saturation Voltage vs Input Overdrive



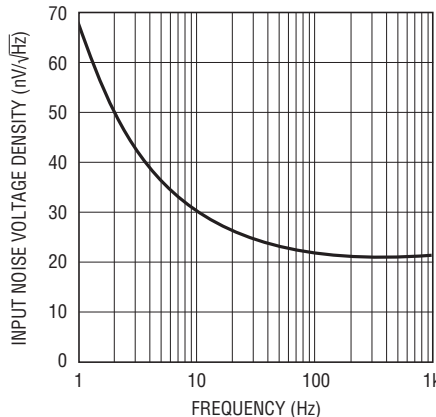
1638/39 G06

0.1Hz to 10Hz Noise Voltage



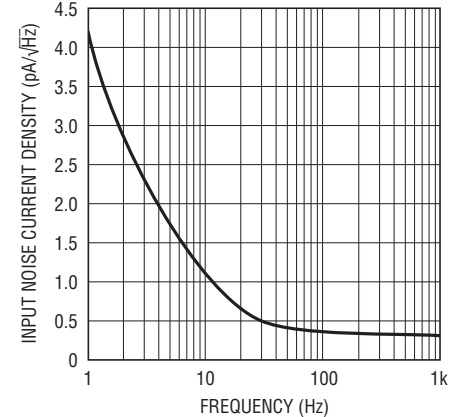
1638/39 G07

Noise Voltage Density vs Frequency



1638/39 G08

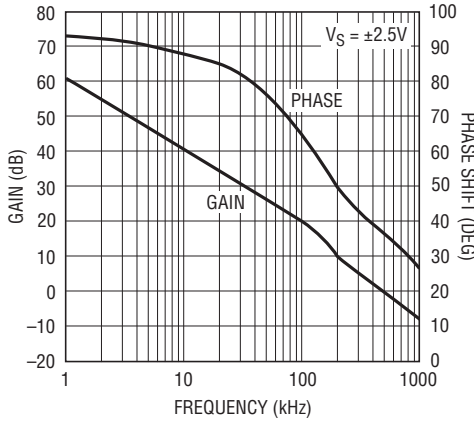
Input Noise Current Density vs Frequency



1638/39 G08

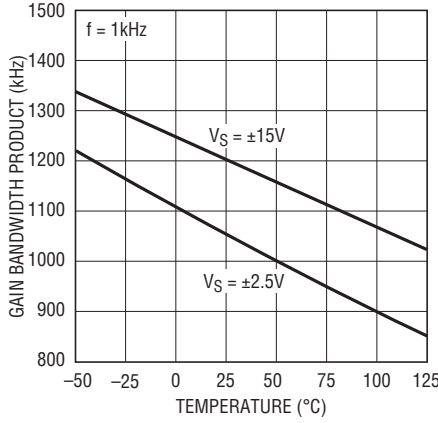
TYPICAL PERFORMANCE CHARACTERISTICS

Gain and Phase Shift vs Frequency



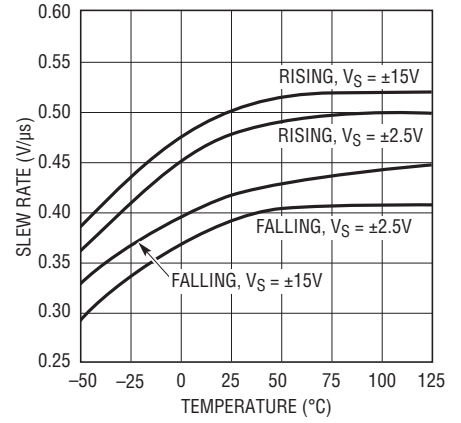
1638/39 G12

Gain Bandwidth Product vs Temperature



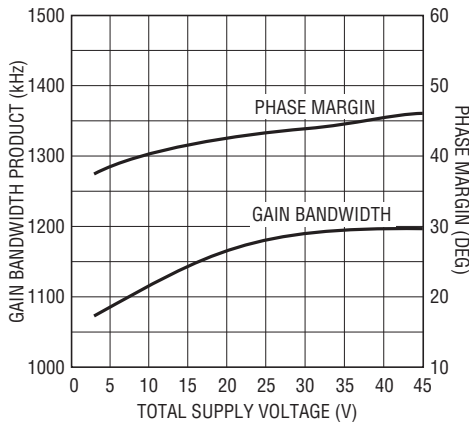
1638/39 G13

Slew Rate vs Temperature



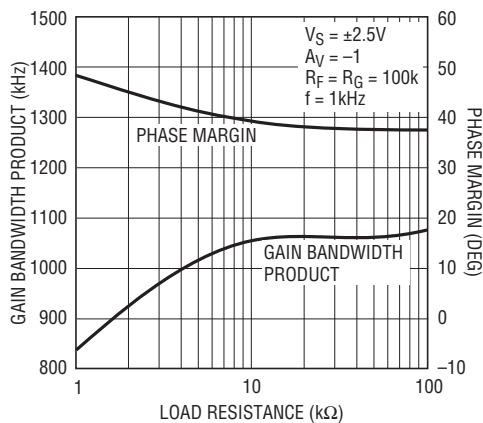
1638/39 G14

Gain Bandwidth Product and Phase Margin vs Supply Voltage



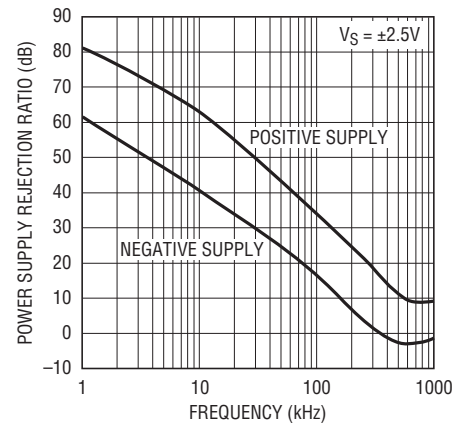
1638/39 G15

Gain Bandwidth Product and Phase Margin vs Load Resistance



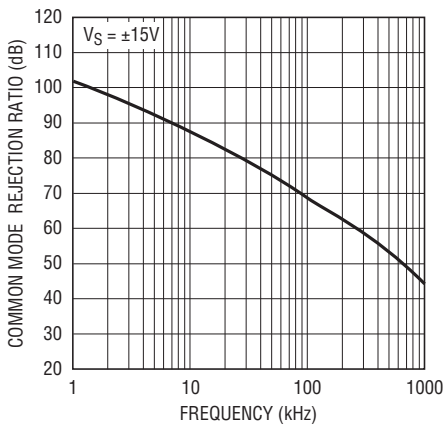
1638/39 G17

PSRR vs Frequency



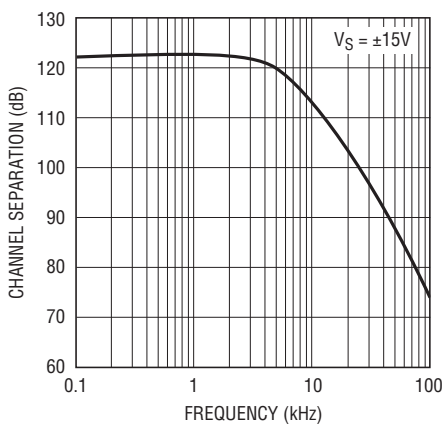
1638/39 G16

CMRR vs Frequency



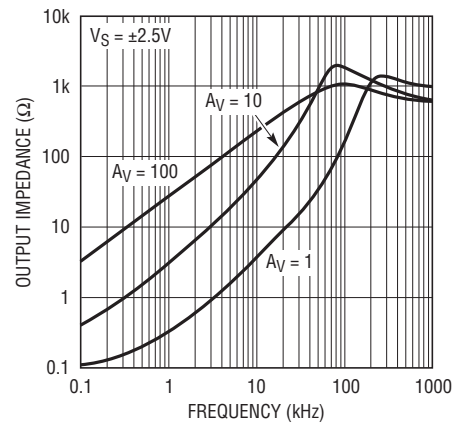
1638/39 G18

Channel Separation vs Frequency



1638/39 G19

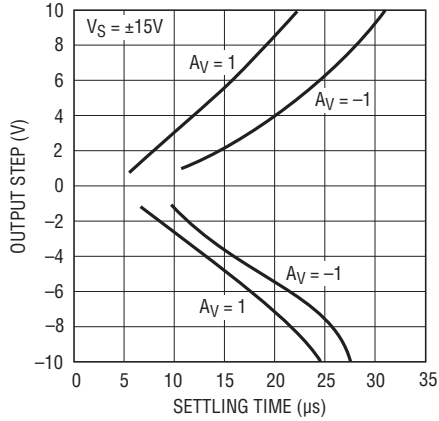
Output Impedance vs Frequency



1638/39 G20

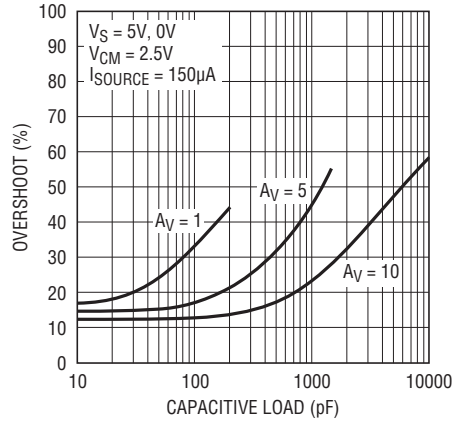
TYPICAL PERFORMANCE CHARACTERISTICS

Settling Time to 0.1% vs Output Step



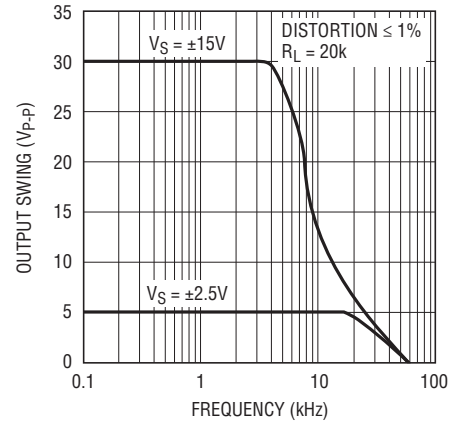
1638/99 G21

Capacitive Load Handling, Overshoot vs Capacitive Load



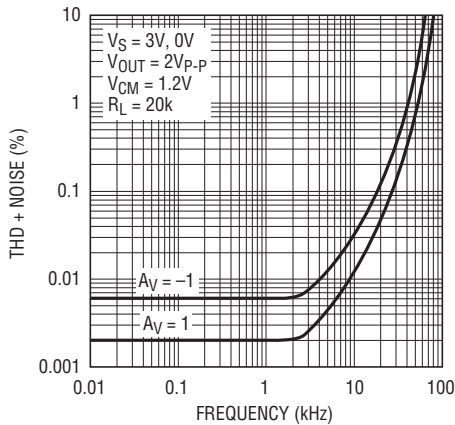
1638/99 G22

Undistorted Output Swing vs Frequency



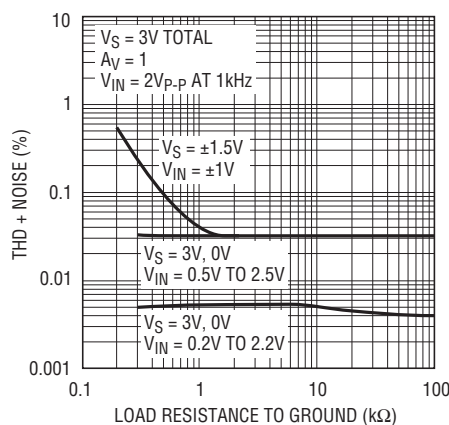
1638/99 G23

Total Harmonic Distortion + Noise vs Frequency



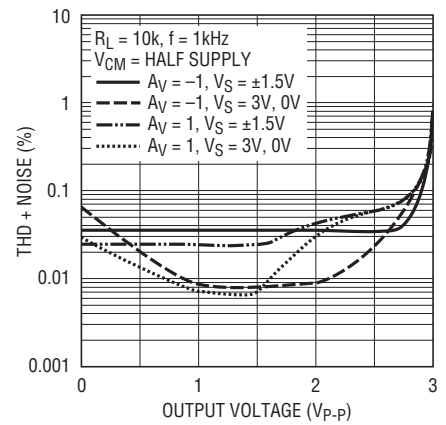
1638/99 G24

Total Harmonic Distortion + Noise vs Load Resistance



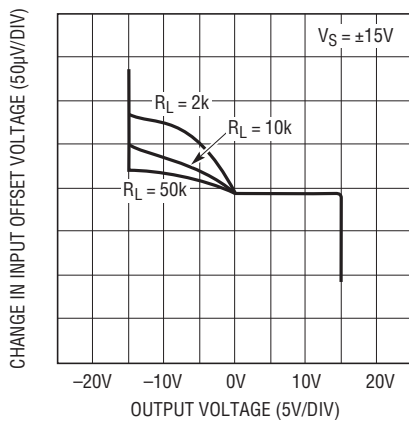
1638/99 G25

Total Harmonic Distortion + Noise vs Output Voltage



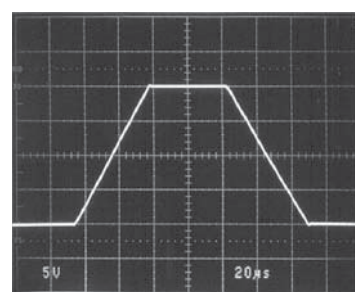
1638/99 G26

Open-Loop Gain



1638/99 G27

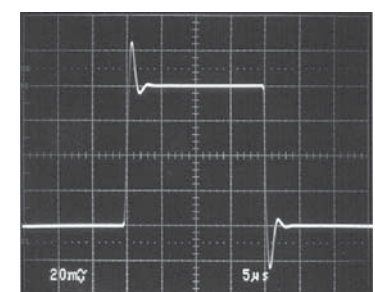
Large-Signal Response



$V_S = \pm 15V$
 $A_V = 1$

1638/99 G28

Small-Signal Response



$V_S = \pm 15V$
 $A_V = 1$
 $C_L = 15pF$

1638/99 G29

APPLICATIONS INFORMATION

Supply Voltage

The positive supply pin of the LT1638/LT1639 should be bypassed with a small capacitor (typically 0.1 μ F) within an inch of the pin. When driving heavy loads an additional 4.7 μ F electrolytic capacitor should be used. When using split supplies, the same is true for the negative supply pin.

The LT1638/LT1639 are protected against reverse battery voltages up to 18V. In the event a reverse battery condition occurs, the supply current is less than 1nA.

The LT1638/LT1639 can be shut down by removing V^+ . In this condition the input bias current is less than 0.1nA, even if the inputs are 44V above the negative supply.

When operating the LT1638/LT1639 on total supplies of 10V or more, the supply must not be brought up faster than 1V/ μ s. Increasing the bypass capacitor and/or adding a small resistor in series with the supply will limit the rise time.

Inputs

The LT1638/LT1639 have two input stages, NPN and PNP (see the Simplified Schematic), resulting in three distinct operating regions as shown in the Input Bias Current vs Common Mode typical performance curve.

For input voltages about 0.8V or more below V^+ , the PNP input stage is active and the input bias current is typically -20nA. When the input common mode voltage is within 0.5V of the positive rail, the NPN stage is operating and the input bias current is typically 40nA. Increases in temperature will cause the voltage at which operation switches from the PNP input stage to the NPN input stage to move towards V^+ . The input offset voltage of the NPN stage is untrimmed and is typically 600 μ V.

A Schottky diode in the collector of each NPN transistor allow the LT1638/LT1639 to operate over the top, with either or both of its inputs above V^+ . At about 0.3V above V^+ the NPN input transistor is fully saturated and the input bias current is typically 8 μ A at room temperature. The input offset voltage is typically 2mV when operating above V^+ . The LT1638/LT1639 will operate with its inputs 44V above V^- regardless of V^+ .

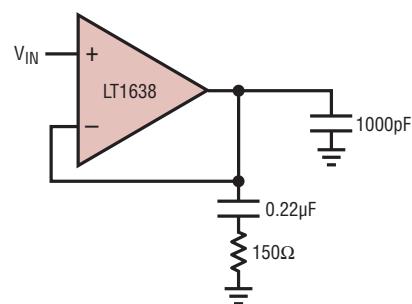
The inputs are protected against excursions of 2V below V^- by an internal 1k resistor in series with each input and a diode from the input to the negative supply. If the inputs can go more than 2V below V^- , an additional external resistor is required. A 10k resistor will protect the input against excursions as much as 10V below V^- . The input stage of the LT1638/LT1639 incorporates phase reversal protection to prevent the output from phase reversing for inputs below V^- . There are no clamping diodes between the inputs and the maximum differential input voltage is 44V.

Output

The output of the LT1638/LT1639 can swing within 20mV of the positive rail with no load, and within 3mV of the negative rail with no load. When monitoring voltages within 20mV of the positive rail or within 3mV of the negative rail, gain should be taken to keep the output from clipping. The LT1638/LT1639 are capable of sinking and sourcing over 40mA on \pm 15V supplies; sourcing current capability is reduced to 20mA at 5V total supplies as noted in the electrical characteristics.

The LT1638/LT1639 are internally compensated to drive at least 200pF of capacitance under any output loading conditions. A 0.22 μ F capacitor in series with a 150 Ω resistor between the output and ground will compensate these amplifiers for larger capacitive loads, up to 1000pF, at all output currents.

Optional Output Compensation for Capacitive Loads Greater than 200pF



Distortion

There are two main contributors of distortion in op amps: output crossover distortion as the output transitions from sourcing to sinking current and distortion caused by

16389fg

APPLICATIONS INFORMATION

nonlinear common mode rejection. If the op amp is operating inverting there is no common mode induced distortion. If the op amp is operating in the PNP input stage (input is not within 0.8V of V⁺), the CMRR is very good, typically 98dB. When the LT1638 switches between input stages there is significant nonlinearity in the CMRR. Lower load resistance increases the output crossover distortion, but has no effect on the input stage transition distortion. For lowest distortion the LT1638/LT1639 should be operated single supply, with the output always sourcing

current and with the input voltage swing between ground and (V⁺ – 0.8V). See the Typical Performance Characteristics curves.

Gain

The open-loop gain is almost independent of load when the output is sourcing current. This optimizes performance in single supply applications where the load is returned to ground. The typical performance curve of Open-Loop Gain for various loads shows the details.

TYPICAL APPLICATIONS

With 1.2MHz bandwidth, Over-The-Top capability, reverse-battery protection and rail-to-rail input and output features, the LT1638/LT1639 are ideal candidates for general purpose applications.

The lowpass slope limiting filter in Figure 1 limits the maximum dV/dT (not frequency) that it passes. When the input signal differs from the output by one forward diode drop, D1 or D2 will turn on. With a diode on, the voltage across R2 will be constant and a fixed current, V_{DIODE}/R2, will flow through capacitor C1, charging it linearly instead of exponentially. The maximum slope that the circuit will pass is equal to V_{DIODE} divided by (R2)(C1). No matter how fast the input changes the output will never change any faster than the dV/dT set by the diodes and (R2)(C).

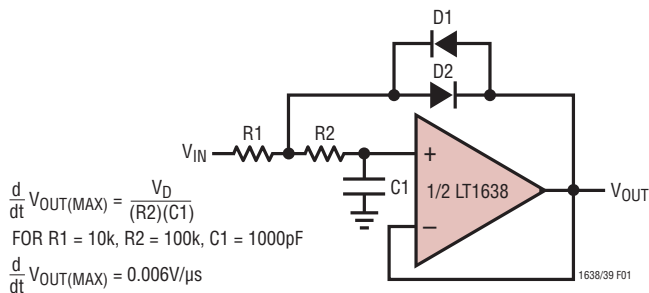


Figure 1. Lowpass Slope Limiting Filter

A modification of this application is shown in Figure 2 using references instead of diodes to set the maximum slope. By using references, the slope is independent of temperature. A scope photo shows a 1V_{P-P}, 2kHz input signal with a 2V pulse added to the sine wave; the circuit passes the 2kHz signal but limits the slope of the pulse.

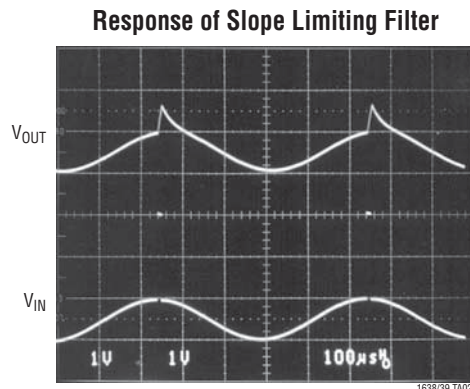
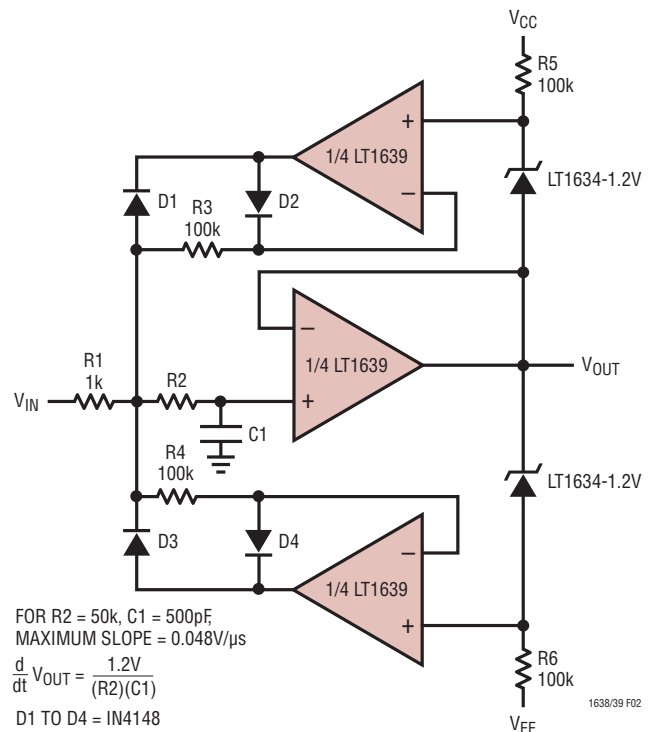


Figure 2. Lowpass Slope Limiting Filter with 0 TC

TYPICAL APPLICATIONS

The application in Figure 3 utilizes the Over-The-Top capabilities of the LT1638. The 0.2Ω resistor senses the load current while the op amp and NPN transistor form a closed loop making the collector current of Q1 proportional to the load current. As a convenient monitor, the 2k load resistor converts the current into a voltage. The positive supply rail, V⁺, is not limited to the 5V supply of the op amp and could be as high as 44V.

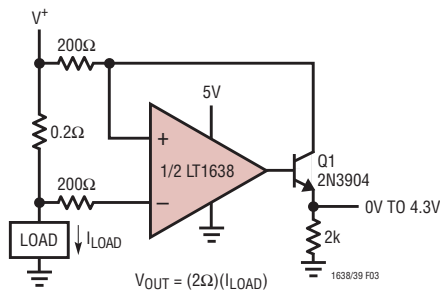


Figure 3. Positive Supply Rail Current Sense

The Figure 4 application uses the LT1638 in conjunction with the LT1634 micropower shunt reference. The supply current of the op amp also biases the reference. The drop across resistor R1 is fixed at 1.2V generating an output current equal to 1.2V/R1.

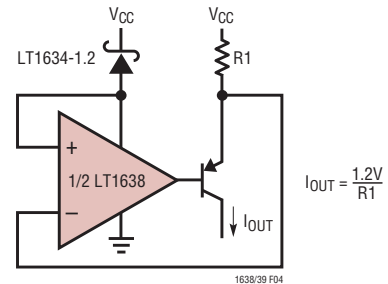
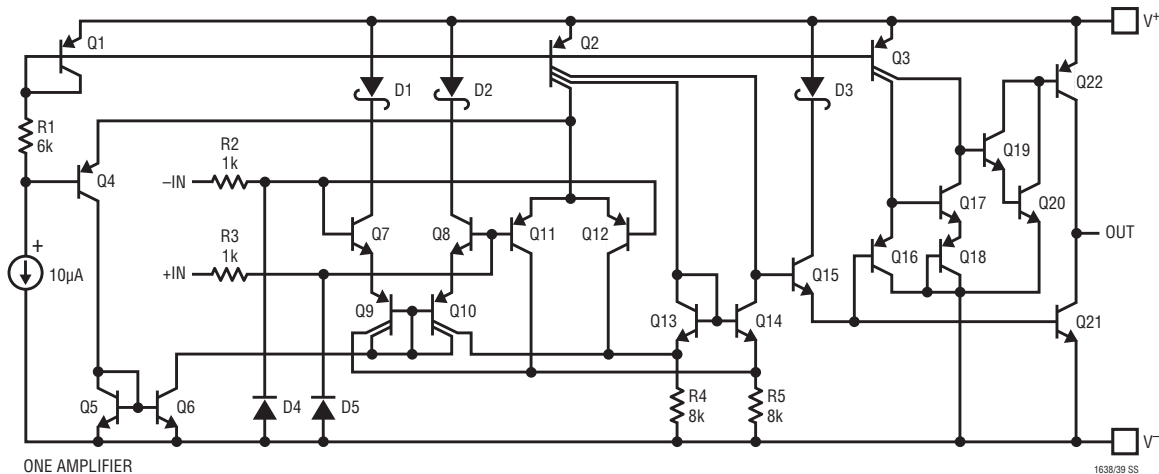


Figure 4. Current Source

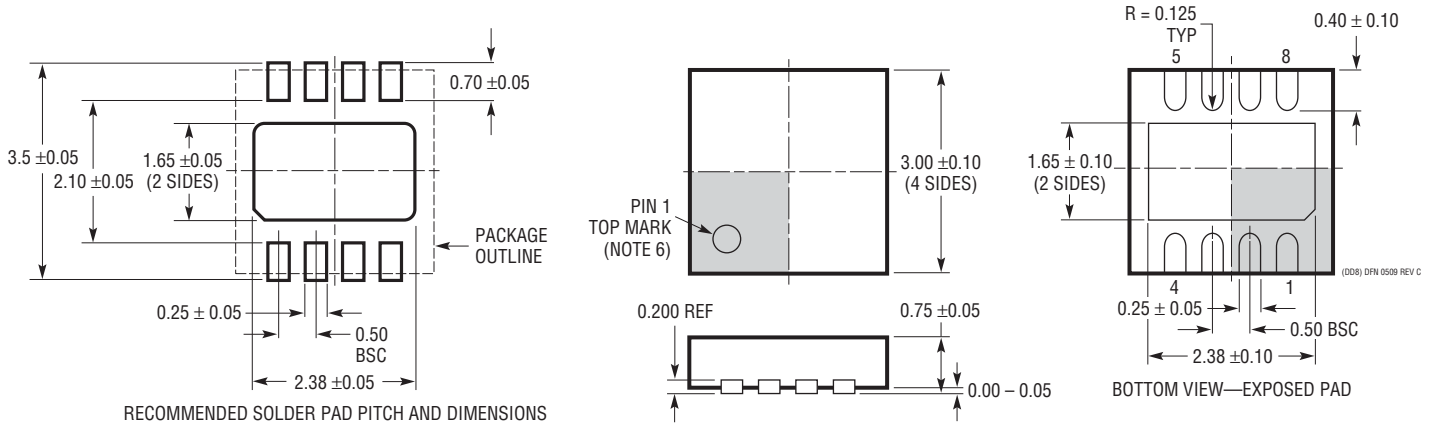
SIMPLIFIED SCHEMATIC



PACKAGE DESCRIPTION

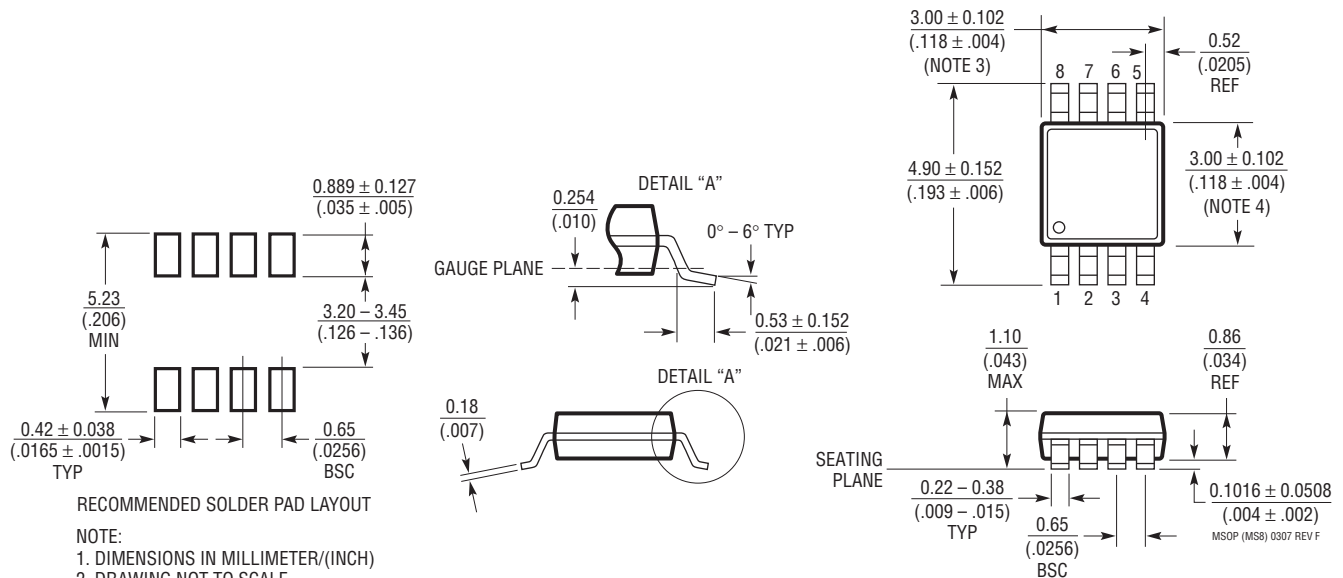
Please refer to <http://www.linear.com/designtools/packaging/> for the most recent package drawings.

DD Package 8-Lead Plastic DFN (3mm × 3mm) (Reference LTC DWG # 05-08-1698 Rev C)



- NOTE:
1. DRAWING TO BE MADE A JEDEC PACKAGE OUTLINE M0-229 VARIATION OF (WEED-1)
 2. DRAWING NOT TO SCALE
 3. ALL DIMENSIONS ARE IN MILLIMETERS
 4. DIMENSIONS OF EXPOSED PAD ON BOTTOM OF PACKAGE DO NOT INCLUDE MOLD FLASH. MOLD FLASH, IF PRESENT, SHALL NOT EXCEED 0.15mm ON ANY SIDE
 5. EXPOSED PAD SHALL BE SOLDER PLATED
 6. SHADED AREA IS ONLY A REFERENCE FOR PIN 1 LOCATION ON TOP AND BOTTOM OF PACKAGE

MS8 Package 8-Lead Plastic MSOP (Reference LTC DWG # 05-08-1660 Rev F)

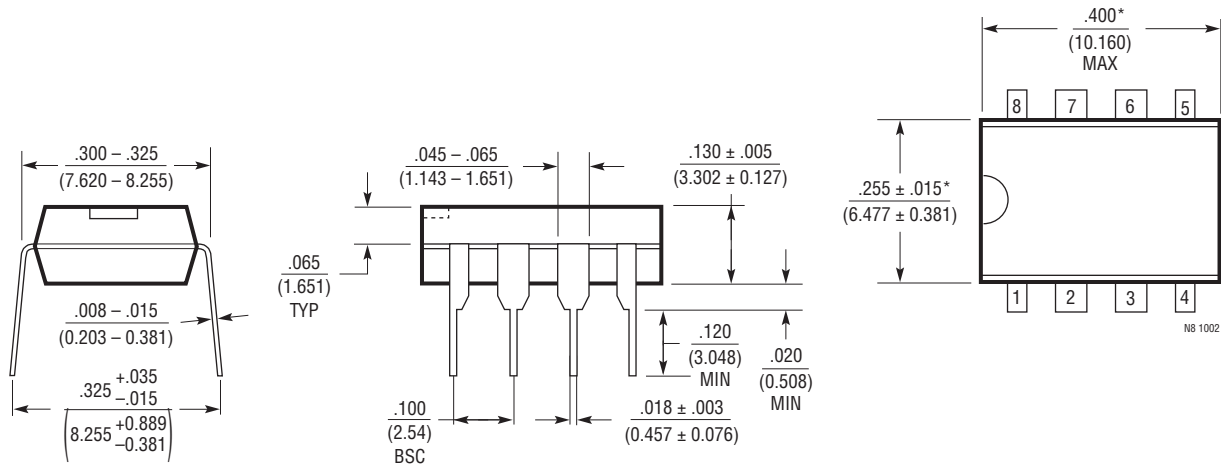


- NOTE:
1. DIMENSIONS IN MILLIMETER/(INCH)
 2. DRAWING NOT TO SCALE
 3. DIMENSION DOES NOT INCLUDE MOLD FLASH, PROTRUSIONS OR GATE BURRS. MOLD FLASH, PROTRUSIONS OR GATE BURRS SHALL NOT EXCEED 0.152mm (.006") PER SIDE
 4. DIMENSION DOES NOT INCLUDE INTERLEAD FLASH OR PROTRUSIONS. INTERLEAD FLASH OR PROTRUSIONS SHALL NOT EXCEED 0.152mm (.006") PER SIDE
 5. LEAD COPLANARITY (BOTTOM OF LEADS AFTER FORMING) SHALL BE 0.102mm (.004") MAX

PACKAGE DESCRIPTION

Please refer to <http://www.linear.com/designtools/packaging/> for the most recent package drawings.

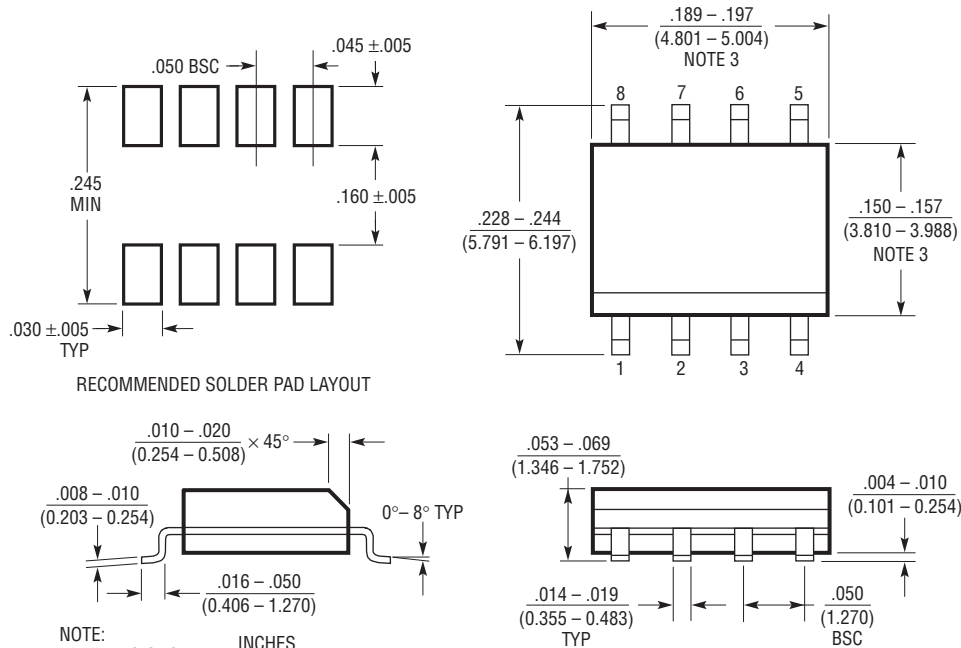
N8 Package 8-Lead PDIP (Narrow .300 Inch) (Reference LTC DWG # 05-08-1510)



NOTE:
1. DIMENSIONS ARE $\frac{\text{INCHES}}{\text{MILLIMETERS}}$

*THESE DIMENSIONS DO NOT INCLUDE MOLD FLASH OR PROTRUSIONS.
MOLD FLASH OR PROTRUSIONS SHALL NOT EXCEED .010 INCH (0.254mm)

S8 Package 8-Lead Plastic Small Outline (Narrow .150 Inch) (Reference LTC DWG # 05-08-1610)



RECOMMENDED SOLDER PAD LAYOUT

NOTE:
1. DIMENSIONS IN $\frac{\text{INCHES}}{\text{MILLIMETERS}}$

2. DRAWING NOT TO SCALE
3. THESE DIMENSIONS DO NOT INCLUDE MOLD FLASH OR PROTRUSIONS.
MOLD FLASH OR PROTRUSIONS SHALL NOT EXCEED .006" (0.15mm)

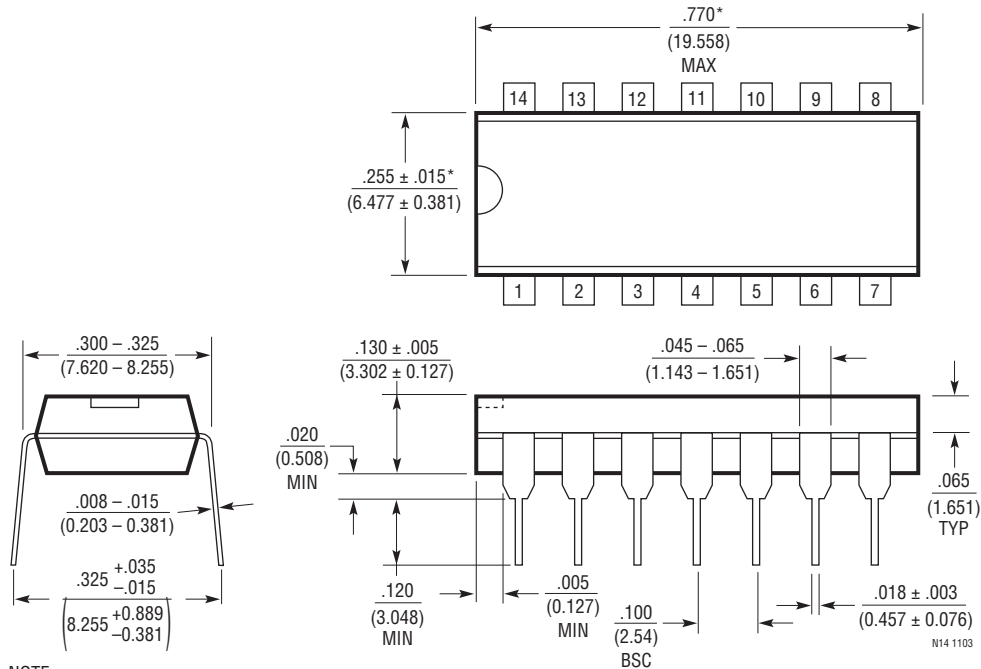
S08 0303

16389fg

PACKAGE DESCRIPTION

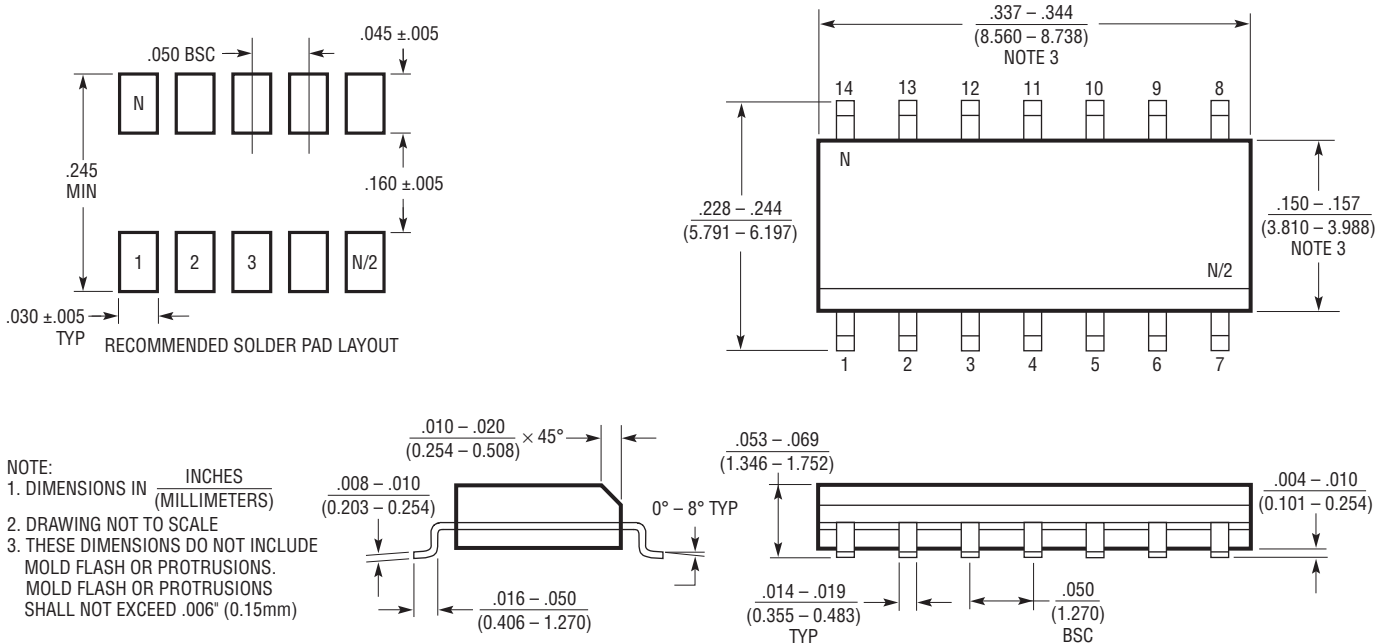
Please refer to <http://www.linear.com/designtools/packaging/> for the most recent package drawings.

N Package 14-Lead PDIP (Narrow .300 Inch) (Reference LTC DWG # 05-08-1510)



NOTE:
1. DIMENSIONS ARE $\frac{\text{INCHES}}{\text{MILLIMETERS}}$
*THESE DIMENSIONS DO NOT INCLUDE MOLD FLASH OR PROTRUSIONS.
MOLD FLASH OR PROTRUSIONS SHALL NOT EXCEED .010 INCH (0.254mm)

S Package 14-Lead Plastic Small Outline (Narrow .150 Inch) (Reference LTC DWG # 05-08-1610)



NOTE:
1. DIMENSIONS IN $\frac{\text{INCHES}}{\text{MILLIMETERS}}$
2. DRAWING NOT TO SCALE
3. THESE DIMENSIONS DO NOT INCLUDE MOLD FLASH OR PROTRUSIONS.
MOLD FLASH OR PROTRUSIONS SHALL NOT EXCEED .006" (0.15mm)

REVISION HISTORY (Revision history begins at Rev E)

| REV | DATE | DESCRIPTION | PAGE NUMBER |
|-----|-------|---|-------------|
| E | 06/10 | Updates to Supply Voltage section | 11 |
| F | 09/10 | Units on x-axis of G24 changed from Hz to kHz | 10 |
| G | 10/11 | Updated θ_{JA} values for MS8 and DD packages in Pin Configuration | 2 |
| | | Corrected part numbers and revised column title to Specified Temperature Range in Order Information | 3 |
| | | Deleted Note 10 from Electrical Characteristics | 7 |

TYPICAL APPLICATION

The battery monitor in Figure 5 also demonstrates the LT1638's ability to operate with its inputs above the positive rail. In this application, a conventional amplifier would be limited to a battery voltage between 5V and ground, but the LT1638 can handle battery voltages as high as 44V. When the battery is charging, Amp B senses the voltage drop across R_S . The output of Amp B causes Q2 to drain sufficient current through R_B to balance the input of Amp B. Likewise, Amp A and Q1 form a closed

loop when the battery is discharging. The current through Q1 or Q2 is proportional to the current in R_S and this current flows into R_G and is converted into a voltage. Amp D buffers and amplifies the voltage across R_G . Amp C compares the output of Amp A and Amp B to determine the polarity of current through R_S . The scale factor for V_{OUT} with S1 open is 1V/A. With S1 closed the scale factor is 1V/100mA and currents as low as 500 μ A can be measured.

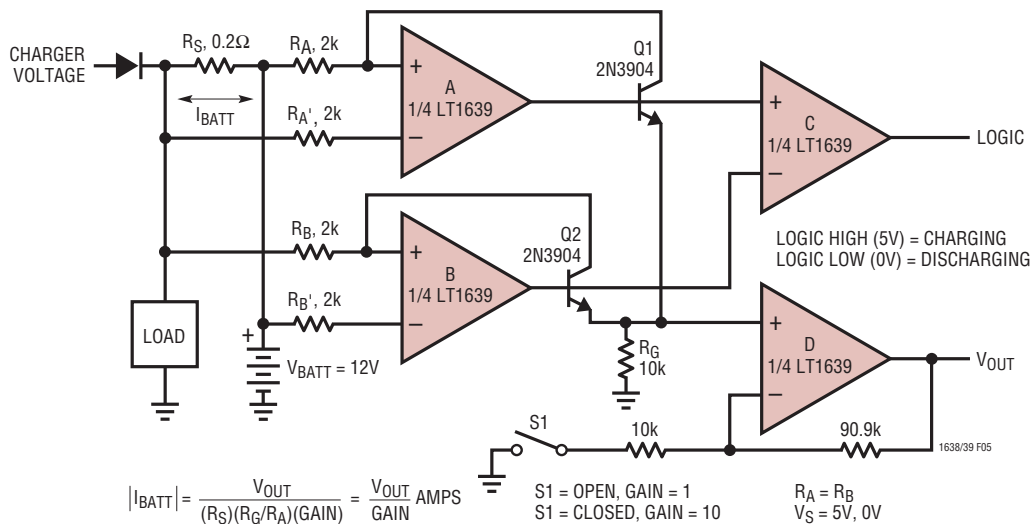


Figure 5. Battery Monitor

RELATED PARTS

| PART NUMBER | DESCRIPTION | COMMENTS |
|--------------------------------|--|--|
| LT1078/LT1079 LT2078/LT2079 | Dual/Quad 55 μ A Max, Single Supply, Precision Op Amps | Input/Output Common Mode Includes Ground, 70 μ V $V_{OS(MAX)}$ and 2.5 μ V/ $^{\circ}$ C Drift (Max), 200kHz GBW, 0.07V/ μ s Slew Rate |
| LT1178/LT1179 LT2178/LT2179 | Dual/Quad 17 μ A Max, Single Supply, Precision Op Amps | Input/Output Common Mode Includes Ground, 70 μ V $V_{OS(MAX)}$ and 4 μ V/ $^{\circ}$ C Drift (Max), 85kHz GBW, 0.04V/ μ s Slew Rate |
| LT1366/LT1367 | Dual/Quad Precision, Rail-to-Rail Input and Output Op Amps | 475 μ V $V_{OS(MAX)}$, 500V/mV $A_{VOL(MIN)}$, 400kHz GBW |
| LT1490/LT1491 | Dual/Quad Over-The-Top Micropower, Rail-to-Rail Input and Output Op Amps | Single Supply Input Range: -0.4V to 44V, Micropower 50 μ A per Amplifier, Rail-to-Rail Input and Output, 200kHz GBW |
| LT1636 | Single Over-The-Top Micropower Rail-to-Rail Input and Output Op Amp | 55 μ A Supply Current, V_{CM} Extends 44V above V_{EE} , Independent of V_{CC} ; MSOP Package, Shutdown Function |