

## FEATURES

- Operates from a Single 3.3V Supply
- Low Supply Current:  $I_{CC} = 200\mu A$
- $I_{CC} = 35\mu A$  in Driver Disable Mode
- $I_{CC} = 0.2\mu A$  in Shutdown Mode
- ESD Protection Over  $\pm 10kV$
- Uses Small Capacitors:  $0.1\mu F$
- Operates to 120kbaud
- Output Overvoltage Does Not Force Current Back into Supplies
- EIA/TIA-562 I/O Lines Can Be Forced to  $\pm 25V$  Without Damage
- Pin Compatible with LT1180A

## APPLICATIONS

- Notebook Computers
- Palmtop Computers

## DESCRIPTION

The LTC<sup>®</sup>1385 is an ultra-low power, 2-driver/2-receiver EIA/TIA-562 transceiver which operates from a single 3.3V supply. The charge pump requires only four space-saving  $0.1\mu F$  capacitors.

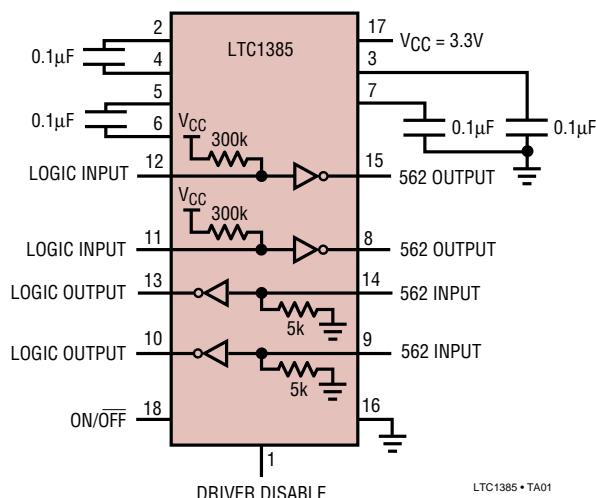
The transceiver operates in one of three modes: Normal, Driver Disable or Shutdown. In the Normal mode,  $I_{CC}$  is only  $200\mu A$  in the unloaded condition. In the Driver Disable mode, the charge pump is turned off, the driver outputs are forced into three-state, both receivers are kept active, and  $I_{CC}$  drops to  $35\mu A$ . In the Shutdown mode, everything is turned off and  $I_{CC}$  drops to  $0.2\mu A$ .

The LTC1385 is fully compliant with all data rate and overvoltage EIA/TIA-562 specifications. The transceiver can operate up to 120kbaud with a  $1000pF$ ,  $3k\Omega$  load. Both driver outputs and receiver inputs can be forced to  $\pm 25V$  without damage, and can survive multiple  $\pm 10kV$  ESD strikes.

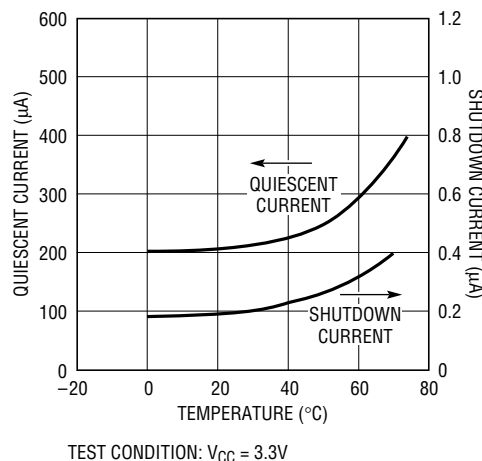
LTC, LTC and LT are registered trademarks of Linear Technology Corporation.

## TYPICAL APPLICATION

**2-Drivers/2-Receivers with Shutdown and Driver Disable**



**Quiescent and Shutdown Supply Current vs Temperature**



## ABSOLUTE MAXIMUM RATINGS

Supply Voltage ( $V_{CC}$ ) .....	5V	Short-Circuit Duration	
Input Voltage		$V^+$ .....	30 sec
Driver .....	-0.3V to $V_{CC} + 0.3V$	$V^-$ .....	30 sec
Receiver .....	-25V to 25V	Driver Output .....	Indefinite
Digital Input .....	-0.3V to $V_{CC} + 0.3V$	Receiver Output .....	Indefinite
Output Voltage		Operating Temperature Range	
Driver .....	-25V to 25V	LTC1385C .....	0°C to 70°C
Receiver .....	-0.3V to $V_{CC} + 0.3V$	LTC1385I .....	-40°C to 85°C
		Storage Temperature Range .....	-65°C to 150°C
		Lead Temperature (Soldering, 10 sec) .....	300°C

## PACKAGE/ORDER INFORMATION

<p>G PACKAGE 20-LEAD SSOP</p> <p><math>T_{JMAX} = 125^{\circ}C, \theta_{JA} = 135^{\circ}C/W</math></p>	<p>ORDER PART NUMBER</p> <p>LTC1385CG LTC1385IG</p>	<p>N PACKAGE 18-LEAD PDIP</p> <p>SW PACKAGE 18-LEAD PLASTIC SO</p> <p><math>T_{JMAX} = 125^{\circ}C, \theta_{JA} = 85^{\circ}C/W</math></p>	<p>ORDER PART NUMBER</p> <p>LTC1385CN LTC1385CSW LTC1385IN LTC1385ISW</p>
---	---	---	---

Consult LTC Marketing for parts specified with wider operating temperature ranges.

## DC ELECTRICAL CHARACTERISTICS

The ● denotes specifications which apply over the full operating temperature range.  $V_{CC} = 3.3V$ ,  $C1 = C2 = C3 = C4 = 0.1\mu F$ ,  $V_{ON/OFF} = V_{CC}$ , Driver Disable =  $V_{CC}$ , unless noted.

PARAMETER	CONDITIONS	MIN	TYP	MAX	UNITS
<b>Any Driver</b>					
Output Voltage Swing	3k to GND	Positive Negative	● 3.7 ● -3.7	4.5 -4.5	V V
Logic Input Voltage Level	Input Low Level ( $V_{OUT} = \text{High}$ ) Input High Level ( $V_{OUT} = \text{Low}$ )	●	● 1.4 ● 1.4	0.8	V V
Logic Input Current	$V_{IN} = V_{CC}$ $V_{IN} = 0V$	●		5 -20	$\mu A$ $\mu A$
Output Short-Circuit Current	$V_{OUT} = 0V$		±10		mA
Output Leakage Current	Shutdown or Driver Disable or $V_{CC} = 0V$ (Note 3,4), $V_{OUT} = \pm 20V$	●	±10	±500	$\mu A$

## DC ELECTRICAL CHARACTERISTICS

The ● denotes specifications which apply over the full operating temperature range.  $V_{CC} = 3.3V$ ,  $C1 = C2 = C3 = C4 = 0.1\mu F$ ,  $V_{ON/OFF} = V_{CC}$ , Driver Disable =  $V_{CC}$ , unless noted.

PARAMETER	CONDITIONS		MIN	TYP	MAX	UNITS
<b>Any Receiver</b>						
Input Voltage Thresholds	Input Low Threshold	●	0.8	1.3		V
	Input High Threshold	●		1.7	2.4	V
Hysteresis		●	0.1	0.4	1.0	V
Input Resistance	$-10V \leq V_{IN} \leq 10V$		3	5	7	k $\Omega$
Output Voltage	Output Low, $I_{OUT} = -1.6mA$ ( $V_{CC} = 3.3V$ )	●		0.2	0.4	V
	Output High, $I_{OUT} = 160\mu A$ ( $V_{CC} = 3.3V$ )	●	3.0	3.2		V
Output Short-Circuit Current	Sinking Current, $V_{OUT} = V_{CC}$		-5	-20		mA
	Sourcing Current, $V_{OUT} = 0V$		2	7		mA
Output Leakage Current	Shutdown (Note 4), $0V \leq V_{OUT} \leq V_{CC}$	●		1	10	$\mu A$
<b>Power Supply Generator</b>						
$V^+$ Output Voltage	$I_{OUT} = 0mA$			5.7		V
	$I_{OUT} = 5mA$			5.5		V
$V^-$ Output Voltage	$I_{OUT} = 0mA$			-5.3		V
	$I_{OUT} = -5mA$			-5.0		V
Supply Rise Time	Shutdown or Driver Disable to Turn-On			0.2		ms
<b>Power Supply</b>						
$V_{CC}$ Supply Current	No Load (Note 2), $0^\circ C$ to $70^\circ C$	●		0.2	0.5	mA
	No Load (Note 2), $-40^\circ C$ to $85^\circ C$	●		3.5	1.0	mA
Supply Leakage Current ( $V_{CC}$ )	Shutdown (Note 4)	●		0.2	10	$\mu A$
	Driver Disable (Note 3)	●		35	50	$\mu A$
Digital Input Threshold Low		●		1.4	0.8	V
Digital Input Threshold High		●	2.0	1.4		V

## AC CHARACTERISTICS

The ● denotes specifications which apply over the full operating temperature range.  $V_{CC} = 3.3V$ ,  $C1 = C2 = C3 = C4 = 0.1\mu F$ , unless noted.

PARAMETER	CONDITIONS		MIN	TYP	MAX	UNITS
Slew Rate	$R_L = 3k, C_L = 51pF$			8	30	V/ $\mu s$
	$R_L = 3k, C_L = 1000pF$		3	5		V/ $\mu s$
Driver Propagation Delay (TTL to EIA/TIA-562)	$t_{HLD}$ (Figure 1)	●		2	3.5	$\mu s$
	$t_{LHD}$ (Figure 1)	●		2	3.5	$\mu s$
Receiver Propagation Delay (EIA/TIA-562 to TTL)	$t_{HLR}$ (Figure 2)	●		0.3	0.8	$\mu s$
	$t_{LHR}$ (Figure 2)	●		0.2	0.8	$\mu s$

**Note 1:** Absolute Maximum Ratings are those values beyond which the life of the device may be impaired.

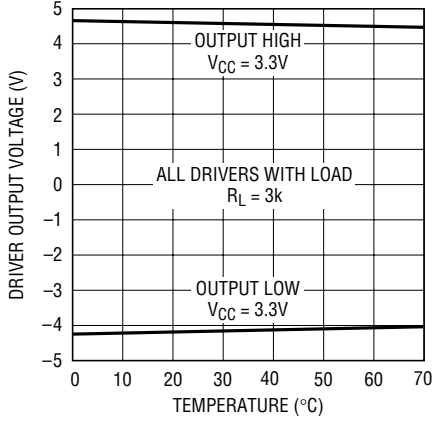
**Note 2:** Supply current is measured with driver and receiver outputs unloaded.

**Note 3:** Measurements made in the Driver Disable mode are performed with  $V_{DRIVER\ DISABLE} = GND$  and  $V_{ON/OFF} = V_{CC}$ .

**Note 4:** Measurements made in the Shutdown mode are performed with  $V_{ON/OFF} = 0V$ .

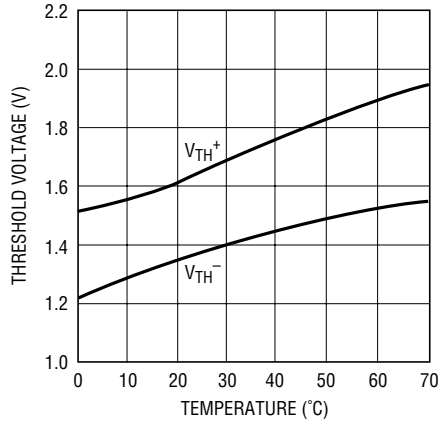
# TYPICAL PERFORMANCE CHARACTERISTICS

**Driver Output Voltage vs Temperature**



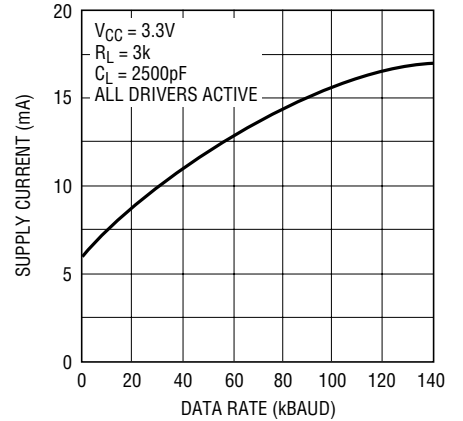
LTC1385 • TPC01

**Receiver Input Thresholds vs Temperature**



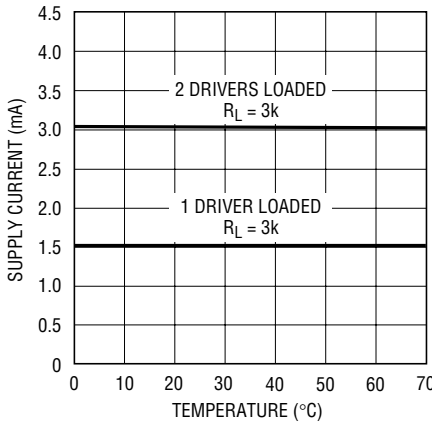
LTC1385 • TPC02

**Supply Current vs Data Rate**



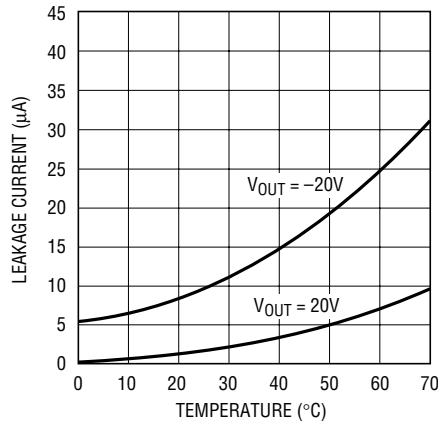
LTC1385 • TPC03

**VCC Supply Current vs Temperature**



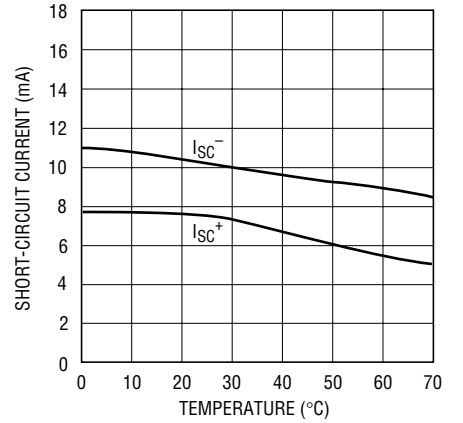
LTC1385 • TPC04

**Driver Leakage in Shutdown vs Temperature**



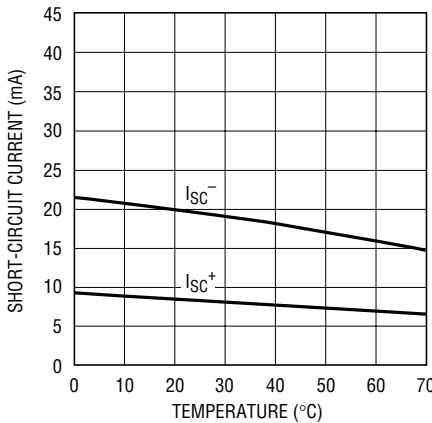
LTC1385 • TPC05

**Driver Short-Circuit Current vs Temperature**



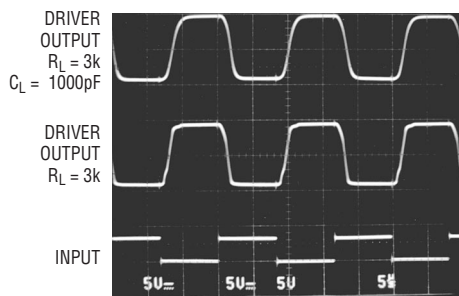
LTC1385 • TPC06

**Receiver Short-Circuit Current vs Temperature**



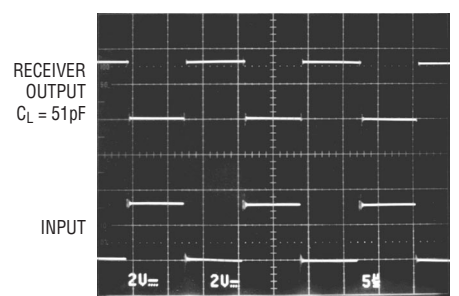
LTC1385 • TPC06

**Driver Output Waveforms**



LTC1385 • TPC08

**Receiver Output Waveform**



LTC1385 • TPC09

## PIN FUNCTIONS

**V<sub>CC</sub>**: 3.3V Input Supply Pin. This pin should be decoupled with a 0.1μF ceramic capacitor.

**GND**: Ground Pin.

**ON/OFF**: TTL/CMOS Compatible Shutdown Pin. A logic low puts the device in the Shutdown mode independent of the Driver Disable pin. The supply current drops to 0.2μA and all driver and receiver outputs are forced into three-state.

**DRIVER DISABLE**: TTL/CMOS Compatible Input Pin. With the ON/OFF pin held high, a logic low forces the part into the Driver Disable mode with the charge pump turned off and the driver outputs forced into three-state. Both receivers remain active and the supply current drops to 35μA. A logic high forces the part into the Normal mode.

**V<sup>+</sup>**: Positive Supply Output (EIA/TIA-562 Drivers).  $V^+ \cong 2V_{CC} - 1V$ . This pin requires an external capacitor  $C = 0.1\mu F$  for charge storage. The capacitor may be tied to ground or  $V_{CC}$ . With multiple devices, the  $V^+$  and  $V^-$  pins may share a common capacitor. For a large number of devices, increasing the size of the shared common storage capacitors is recommended to reduce ripple.

**V<sup>-</sup>**: Negative Supply Output (EIA/TIA-562 Drivers).  $V^- \cong -(2V_{CC} - 1.3V)$ . This pin requires an external capacitor  $C = 0.1\mu F$  for charge storage.

**C1<sup>+</sup>, C1<sup>-</sup>, C2<sup>+</sup>, C2<sup>-</sup>**: Commutating Capacitor Inputs. These pins require two external capacitors  $C = 0.1\mu F$ : one from C1<sup>+</sup> to C1<sup>-</sup>, and another from C2<sup>+</sup> to C2<sup>-</sup>. To maintain charge pump efficiency, the capacitor's effective series resistance should be less than 2Ω.

**TR IN**: EIA/TIA-562 Driver Input Pins. Inputs are TTL/CMOS compatible. The inputs of unused drivers can be left unconnected since 300k input pull-up resistors to  $V_{CC}$  are included on chip. To minimize power consumption, the internal driver pull-up resistors are disconnected from  $V_{CC}$  in the Shutdown mode.

**TR OUT**: Driver Outputs at EIA/TIA-562 Voltage Levels. Outputs are in a high impedance state when in the Shutdown or Driver Disable mode or  $V_{CC} = 0V$ . The driver outputs are protected against ESD to ±10kV for human body model discharges.

**RX IN**: Receiver Inputs. These pins can be forced to ±25V without damage. The receiver inputs are protected against ESD to ±10kV for human body model discharges. Each receiver provides 0.4V of hysteresis for noise immunity.

**RX OUT**: Receiver Outputs with TTL/CMOS Voltage Levels. Outputs are in a high impedance state when in the Shutdown mode.

## SWITCHING TIME WAVEFORMS

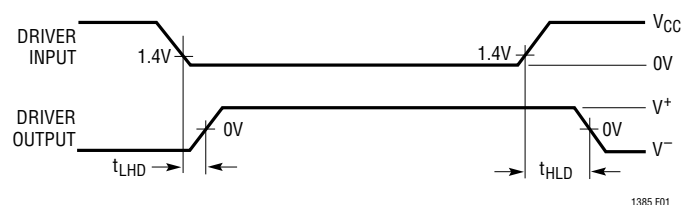


Figure 1. Driver Propagation Delay Timing

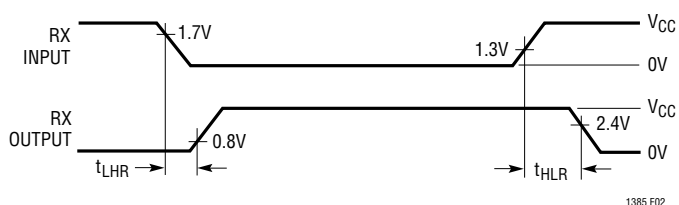
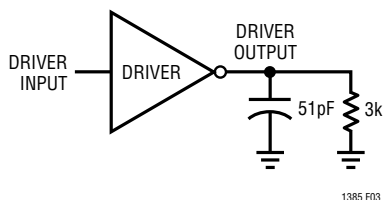


Figure 2. Receiver Propagation Delay Timing

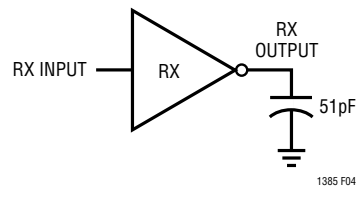
## TEST CIRCUITS

Driver Timing Test Load



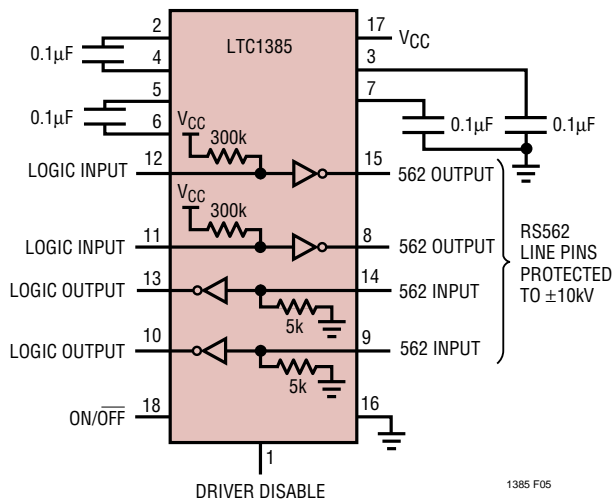
1385 F03

Receiver Timing Test Load



1385 F04

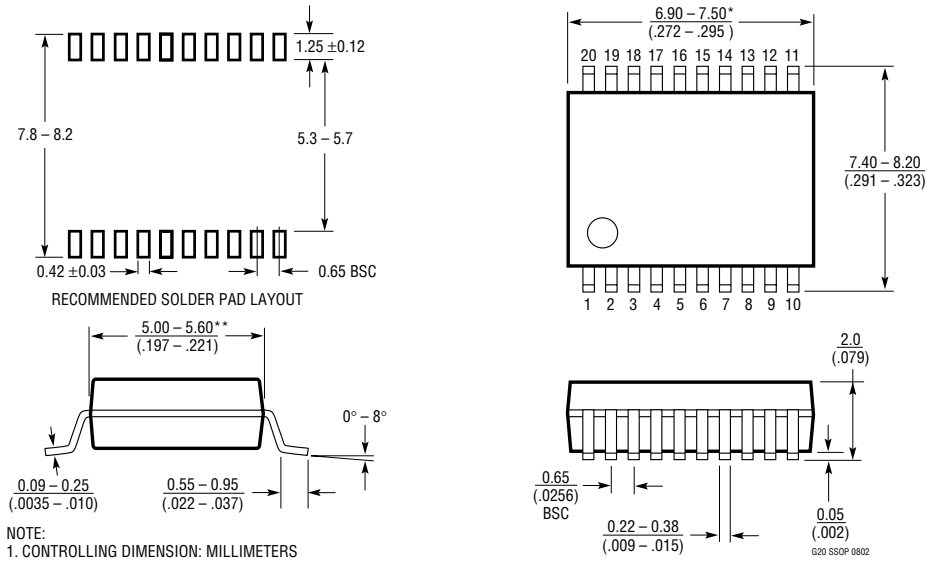
ESD Test Circuit



1385 F05

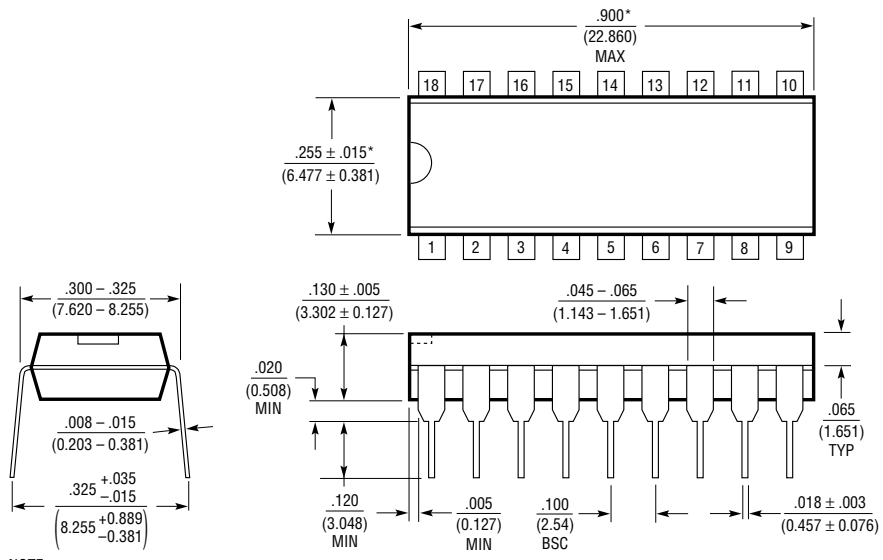
# PACKAGE DESCRIPTION

## G Package 20-Lead Plastic SSOP (5.3mm) (Reference LTC DWG # 05-08-1640)



NOTE:  
 1. CONTROLLING DIMENSION: MILLIMETERS  
 2. DIMENSIONS ARE IN MILLIMETERS (INCHES)  
 3. DRAWING NOT TO SCALE  
 \*DIMENSIONS DO NOT INCLUDE MOLD FLASH. MOLD FLASH SHALL NOT EXCEED .152mm (.006") PER SIDE  
 \*\*DIMENSIONS DO NOT INCLUDE INTERLEAD FLASH. INTERLEAD FLASH SHALL NOT EXCEED .254mm (.010") PER SIDE

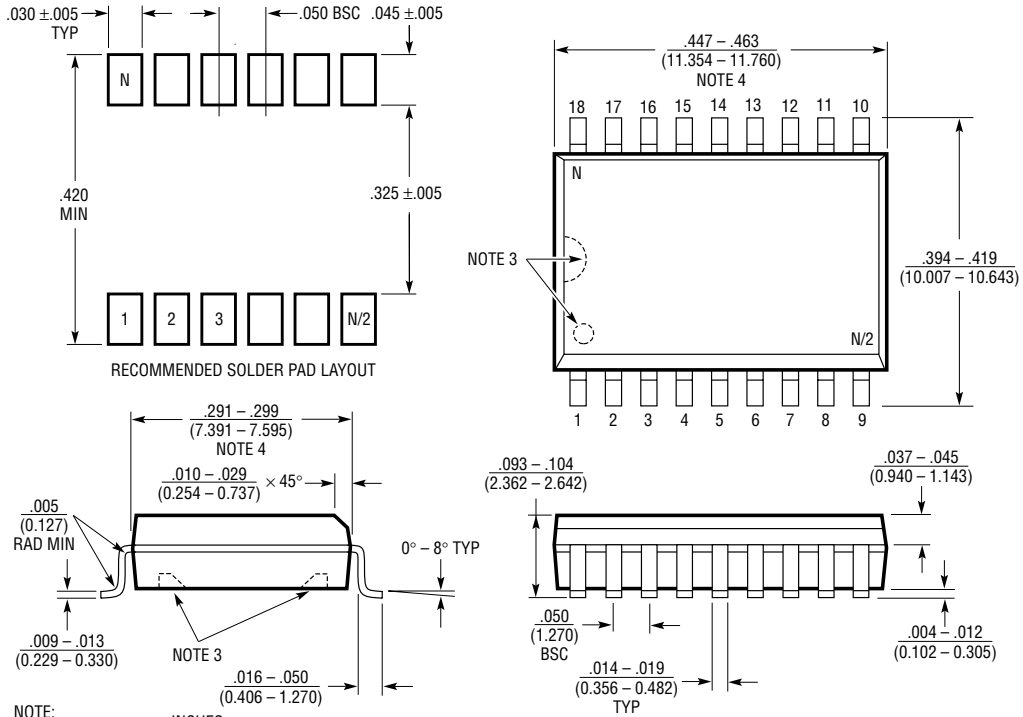
## N Package 18-Lead PDIP (Narrow .300 Inch) (Reference LTC DWG # 05-08-1510)



NOTE:  
 1. DIMENSIONS ARE INCHES (MILLIMETERS)  
 \*THESE DIMENSIONS DO NOT INCLUDE MOLD FLASH OR PROTRUSIONS. MOLD FLASH OR PROTRUSIONS SHALL NOT EXCEED .010 INCH (0.254mm)

# PACKAGE DESCRIPTION

**SW Package**  
**18-Lead Plastic Small Outline (Wide .300 Inch)**  
 (Reference LTC DWG # 05-08-1620)



- NOTE:  
 1. DIMENSIONS IN INCHES (MILLIMETERS)  
 2. DRAWING NOT TO SCALE  
 3. PIN 1 IDENT, NOTCH ON TOP AND CAVITIES ON THE BOTTOM OF PACKAGES ARE THE MANUFACTURING OPTIONS. THE PART MAY BE SUPPLIED WITH OR WITHOUT ANY OF THE OPTIONS  
 4. THESE DIMENSIONS DO NOT INCLUDE MOLD FLASH OR PROTRUSIONS. MOLD FLASH OR PROTRUSIONS SHALL NOT EXCEED  $.006"$  (0.15mm)

S18 (WIDE) 0502

## RELATED PARTS

PART NUMBER	DESCRIPTION	COMMENTS
LT1780/LT1781	5V, 2 Driver, 2 Receiver RS232 Transceivers	$\pm 15$ kV ESD per IEC 1000-4
LTC1327	3.3V, 3 Driver, 5 Receiver RS562 Transceiver	300 $\mu$ A Supply Current, 0.2 $\mu$ A in Shutdown
LTC1348	3.3V to 5V, 3 Driver, 5 Receiver RS232 Transceiver	True RS232 on 3.3V, 5 Receivers Active in Shutdown
LTC1382	5V, 2 Driver, 2 Receiver RS232 Transceiver	200 $\mu$ A Supply Current, 0.2 $\mu$ A in Shutdown
LTC1383	5V, 2 Driver, 2 Receiver RS232 Transceiver	200 $\mu$ A Supply Current, Narrow 16-Pin SO
LTC1384	5V, 2 Driver, 2 Receiver RS232 Transceiver	200 $\mu$ A Supply Current, 2 Receivers Active in Shutdown
LTC1386	3.3V, 2 Driver, 2 Receiver RS562 Transceiver	200 $\mu$ A Supply Current, Narrow 16-Pin SO