

FEATURES

- 20-Bit ADCs in Tiny MSOP-10 Packages
- 1- or 2-Channel Inputs
- Single Supply 2.7V to 5.5V Operation
- Low Supply Current (200 μ A) and Auto Shutdown
- Automatic Channel Selection (Ping-Pong) (LTC2422)
- No Latency: Digital Filter Settles in a Single Conversion Cycle
- 8ppm INL, No Missing Codes
- 4ppm Full-Scale Error
- 0.5ppm Offset
- 1.2ppm Noise
- Zero Scale and Full Scale Set for Reference and Ground Sensing
- Internal Oscillator—No External Components Required
- 110dB Min, 50Hz/60Hz Notch Filter
- Reference Input Voltage: 0.1V to V_{CC}
- Live Zero—Extended Input Range Accommodates 12.5% Overrange and Underrange
- Pin Compatible with LTC2401/LTC2402

APPLICATIONS

- Weight Scales
- Direct Temperature Measurement
- Gas Analyzers
- Strain Gauge Transducers
- Instrumentation
- Data Acquisition
- Industrial Process Control

DESCRIPTION

The LTC[®]2421/LTC2422 are 1- and 2-channel 2.7V to 5.5V micropower 20-bit analog-to-digital converters with an integrated oscillator, 8ppm INL and 1.2ppm RMS noise. These ultrasmall devices use delta-sigma technology and a new digital filter architecture that settles in a single cycle. This eliminates the latency found in conventional $\Delta\Sigma$ converters and simplifies multiplexed applications.

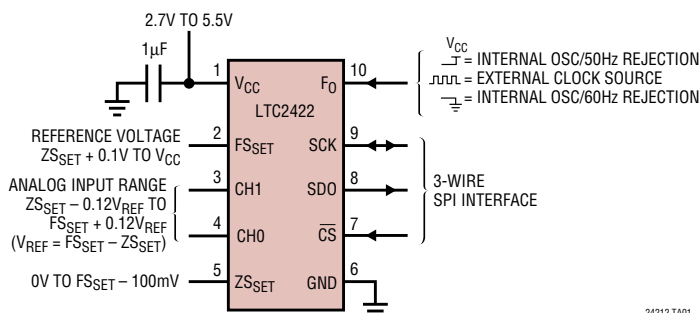
Through a single pin, the LTC2421/LTC2422 can be configured for better than 110dB rejection at 50Hz or 60Hz \pm 2%, or can be driven by an external oscillator for a user defined rejection frequency in the range 1Hz to 120Hz. The internal oscillator requires no external frequency setting components.

These converters accept an external reference voltage from 0.1V to V_{CC} . With an extended input conversion range of $-12.5\% V_{REF}$ to $112.5\% V_{REF}$ ($V_{REF} = FS_{SET} - ZS_{SET}$), the LTC2421/LTC2422 smoothly resolve the offset and overrange problems of preceding sensors or signal conditioning circuits.

The LTC2421/LTC2422 communicate through a 2- or 3-wire digital interface that is compatible with SPI and MICROWIRE™ protocols.

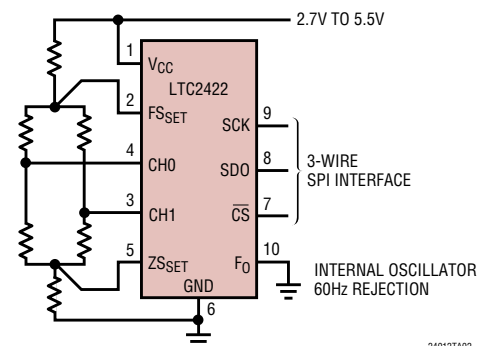
LT, **LTC** and **LT** are registered trademarks of Linear Technology Corporation.
 No Latency $\Delta\Sigma$ is a trademark of Linear Technology Corporation.
 MICROWIRE is a trademark of National Semiconductor Corporation.

TYPICAL APPLICATION



24212 TA01

Pseudo Differential Bridge Digitizer



24012TA02

LTC2421/LTC2422

ABSOLUTE MAXIMUM RATINGS (Notes 1, 2)

Supply Voltage (V_{CC}) to GND	-0.3V to 7V	Operating Temperature Range	
Analog Input Voltage to GND	-0.3V to ($V_{CC} + 0.3V$)	LTC2421/LTC2422C	0°C to 70°C
Reference Input Voltage to GND ..	-0.3V to ($V_{CC} + 0.3V$)	LTC2421/LTC2422I	-40°C to 85°C
Digital Input Voltage to GND	-0.3V to ($V_{CC} + 0.3V$)	Storage Temperature Range	-65°C to 150°C
Digital Output Voltage to GND	-0.3V to ($V_{CC} + 0.3V$)	Lead Temperature (Soldering, 10 sec)	300°C

PACKAGE/ORDER INFORMATION

<p>MS10 PACKAGE 10-LEAD PLASTIC MSOP $T_{JMAX} = 125^{\circ}C, \theta_{JA} = 130^{\circ}C/W$</p>	ORDER PART NUMBER	<p>MS10 PACKAGE 10-LEAD PLASTIC MSOP $T_{JMAX} = 125^{\circ}C, \theta_{JA} = 130^{\circ}C/W$</p>	ORDER PART NUMBER
	LTC2421CMS LTC2421IMS		LTC2422CMS LTC2422IMS
	MS10 PART MARKING		MS10 PART MARKING
	LTUX LTUY		LTUZ LTVA

Consult factory for parts specified with wider operating temperature ranges.

CONVERTER CHARACTERISTICS

The ● denotes specifications which apply over the full operating temperature range, otherwise specifications are at $T_A = 25^{\circ}C$. $V_{REF} = FS_{SET} - ZS_{SET}$. (Notes 3, 4)

PARAMETER	CONDITIONS	MIN	TYP	MAX	UNITS
Resolution		● 20			Bits
No Missing Codes Resolution	$0.1V \leq FS_{SET} \leq V_{CC}, ZS_{SET} = 0V$ (Note 5)	● 20			Bits
Integral Nonlinearity	$FS_{SET} = 2.5V, ZS_{SET} = 0V$ (Note 6)	●	4	10	ppm of V_{REF}
	$FS_{SET} = 5V, ZS_{SET} = 0V$ (Note 6)	●	8	20	ppm of V_{REF}
Offset Error	$2.5V \leq FS_{SET} \leq V_{CC}, ZS_{SET} = 0V$	●	0.5	10	ppm of V_{REF}
Offset Error Drift	$2.5V \leq FS_{SET} \leq V_{CC}, ZS_{SET} = 0V$		0.04		ppm of $V_{REF}/^{\circ}C$
Full-Scale Error	$2.5V \leq FS_{SET} \leq V_{CC}, ZS_{SET} = 0V$	●	4	10	ppm of V_{REF}
Full-Scale Error Drift	$2.5V \leq FS_{SET} \leq V_{CC}, ZS_{SET} = 0V$		0.04		ppm of $V_{REF}/^{\circ}C$
Total Unadjusted Error	$FS_{SET} = 2.5V, ZS_{SET} = 0V$		8		ppm of V_{REF}
	$FS_{SET} = 5V, ZS_{SET} = 0V$		16		ppm of V_{REF}
Output Noise	$V_{IN} = 0V$ (Note 13)		6		μV_{RMS}
Normal Mode Rejection 60Hz $\pm 2\%$	(Note 7)	● 110	130		dB
Normal Mode Rejection 50Hz $\pm 2\%$	(Note 8)	● 110	130		dB
Power Supply Rejection, DC	$FS_{SET} = 2.5V, ZS_{SET} = 0V, V_{IN} = 0V$		100		dB
Power Supply Rejection, 60Hz $\pm 2\%$	$FS_{SET} = 2.5V, ZS_{SET} = 0V, V_{IN} = 0V$, (Notes 7, 15)		110		dB
Power Supply Rejection, 50Hz $\pm 2\%$	$FS_{SET} = 2.5V, ZS_{SET} = 0V, V_{IN} = 0V$, (Notes 8, 15)		110		dB

ANALOG INPUT AND REFERENCE

The ● denotes specifications which apply over the full operating temperature range, otherwise specifications are at $T_A = 25^\circ\text{C}$. $V_{\text{REF}} = \text{FS}_{\text{SET}} - \text{ZS}_{\text{SET}}$. (Note 3)

SYMBOL	PARAMETER	CONDITIONS	MIN	TYP	MAX	UNITS
V_{IN}	Input Voltage Range	(Note 14)	● $\text{ZS}_{\text{SET}} - 0.12V_{\text{REF}}$	$\text{FS}_{\text{SET}} + 0.12V_{\text{REF}}$		V
FS_{SET}	Full-Scale Set Range		● $0.1 + \text{ZS}_{\text{SET}}$		V_{CC}	V
ZS_{SET}	Zero-Scale Set Range		● 0		$\text{FS}_{\text{SET}} - 0.1$	V
$C_{\text{S(IN)}}$	Input Sampling Capacitance			1		pF
$C_{\text{S(REF)}}$	Reference Sampling Capacitance			1.5		pF
$I_{\text{IN(LEAK)}}$	Input Leakage Current	$\overline{\text{CS}} = V_{\text{CC}}$	● -100	1	100	nA
$I_{\text{REF(LEAK)}}$	Reference Leakage Current	$V_{\text{REF}} = 2.5\text{V}$, $\overline{\text{CS}} = V_{\text{CC}}$	● -100	1	100	nA

DIGITAL INPUTS AND DIGITAL OUTPUTS

The ● denotes specifications which apply over the full operating temperature range, otherwise specifications are at $T_A = 25^\circ\text{C}$. (Note 3)

SYMBOL	PARAMETER	CONDITIONS	MIN	TYP	MAX	UNITS
V_{IH}	High Level Input Voltage	$2.7\text{V} \leq V_{\text{CC}} \leq 5.5\text{V}$	● 2.5			V
	CS , F_0	$2.7\text{V} \leq V_{\text{CC}} \leq 3.3\text{V}$	2.0			V
V_{IL}	Low Level Input Voltage	$4.5\text{V} \leq V_{\text{CC}} \leq 5.5\text{V}$	●		0.8	V
	CS , F_0	$2.7\text{V} \leq V_{\text{CC}} \leq 5.5\text{V}$			0.6	V
V_{IH}	High Level Input Voltage	$2.7\text{V} \leq V_{\text{CC}} \leq 5.5\text{V}$ (Note 9)	● 2.5			V
	SCK	$2.7\text{V} \leq V_{\text{CC}} \leq 3.3\text{V}$ (Note 9)	2.0			V
V_{IL}	Low Level Input Voltage	$4.5\text{V} \leq V_{\text{CC}} \leq 5.5\text{V}$ (Note 9)	●		0.8	V
	SCK	$2.7\text{V} \leq V_{\text{CC}} \leq 5.5\text{V}$ (Note 9)			0.6	V
I_{IN}	Digital Input Current	$0\text{V} \leq V_{\text{IN}} \leq V_{\text{CC}}$	● -10		10	μA
	CS , F_0					
I_{IN}	Digital Input Current	$0\text{V} \leq V_{\text{IN}} \leq V_{\text{CC}}$ (Note 9)	● -10		10	μA
	SCK					
C_{IN}	Digital Input Capacitance			10		pF
	CS , F_0					
C_{IN}	Digital Input Capacitance	(Note 9)		10		pF
	SCK					
V_{OH}	High Level Output Voltage	$I_0 = -800\mu\text{A}$	● $V_{\text{CC}} - 0.5$			V
	SDO					
V_{OL}	Low Level Output Voltage	$I_0 = 1.6\text{mA}$	●		0.4	V
	SDO					
V_{OH}	High Level Output Voltage	$I_0 = -800\mu\text{A}$ (Note 10)	● $V_{\text{CC}} - 0.5$			V
	SCK					
V_{OL}	Low Level Output Voltage	$I_0 = 1.6\text{mA}$ (Note 10)	●		0.4	V
	SCK					
I_{OZ}	High-Z Output Leakage		● -10		10	μA
	SDO					

POWER REQUIREMENTS

The ● denotes specifications which apply over the full operating temperature range, otherwise specifications are at $T_A = 25^\circ\text{C}$. (Note 3)

SYMBOL	PARAMETER	CONDITIONS	MIN	TYP	MAX	UNITS
V_{CC}	Supply Voltage		● 2.7		5.5	V
I_{CC}	Supply Current					
	Conversion Mode	$\overline{\text{CS}} = 0\text{V}$ (Note 12)	●	200	300	μA
	Sleep Mode	$\overline{\text{CS}} = V_{\text{CC}}$ (Note 12)	●	20	30	μA

24212f

TIMING CHARACTERISTICS

The ● denotes specifications which apply over the full operating temperature range, otherwise specifications are at $T_A = 25^\circ\text{C}$. (Note 3)

SYMBOL	PARAMETER	CONDITIONS	MIN	TYP	MAX	UNITS	
f_{EOSC}	External Oscillator Frequency Range	●	2.56		307.2	kHz	
t_{HEO}	External Oscillator High Period	●	0.5		390	μs	
t_{LEO}	External Oscillator Low Period	●	0.5		390	μs	
t_{CONV}	Conversion Time	$F_0 = 0\text{V}$	●	130.86	133.53	136.20	ms
		$F_0 = V_{\text{CC}}$	●	157.03	160.23	163.44	ms
		External Oscillator (Note 11)	●	20510/ f_{EOSC} (in kHz)			ms
f_{ISCK}	Internal SCK Frequency	Internal Oscillator (Note 10)		19.2		kHz	
		External Oscillator (Notes 10, 11)		$f_{\text{EOSC}}/8$		kHz	
D_{ISCK}	Internal SCK Duty Cycle	(Note 10)	45		55	%	
f_{ESCK}	External SCK Frequency Range	(Note 9)	●		2000	kHz	
t_{LESCK}	External SCK Low Period	(Note 9)	●	250		ns	
t_{HESCK}	External SCK High Period	(Note 9)	●	250		ns	
$t_{\text{DOUT_ISCK}}$	Internal SCK 24-Bit Data Output Time	Internal Oscillator (Notes 10, 12)	●	1.23	1.25	1.28	ms
		External Oscillator (Notes 10, 11)	●	192/ f_{EOSC} (in kHz)			ms
$t_{\text{DOUT_ESCK}}$	External SCK 24-Bit Data Output Time	(Note 9)	●	24/ f_{ESCK} (in kHz)		ms	
t_1	$\overline{\text{CS}} \downarrow$ to SDO Low Z	●	0		150	ns	
t_2	$\overline{\text{CS}} \uparrow$ to SDO High Z	●	0		150	ns	
t_3	$\overline{\text{CS}} \downarrow$ to SCK \downarrow	(Note 10)	●	0	150	ns	
t_4	$\overline{\text{CS}} \downarrow$ to SCK \uparrow	(Note 9)	●	50		ns	
t_{KQMAX}	SCK \downarrow to SDO Valid	●			200	ns	
t_{KQMIN}	SDO Hold After SCK \downarrow	(Note 5)	●	15		ns	
t_5	SCK Set-Up Before $\overline{\text{CS}} \downarrow$	●	50			ns	
t_6	SCK Hold After $\overline{\text{CS}} \downarrow$	●			50	ns	

Note 1: Absolute Maximum Ratings are those values beyond which the life of the device may be impaired.

Note 2: All voltage values are with respect to GND.

Note 3: $V_{\text{CC}} = 2.7$ to 5.5V unless otherwise specified. Input source resistance = 0Ω .

Note 4: Internal Conversion Clock source with the F_0 pin tied to GND or to V_{CC} or to external conversion clock source with $f_{\text{EOSC}} = 153600\text{Hz}$ unless otherwise specified.

Note 5: Guaranteed by design, not subject to test.

Note 6: Integral nonlinearity is defined as the deviation of a code from a straight line passing through the actual endpoints of the transfer curve. The deviation is measured from the center of the quantization band.

Note 7: $F_0 = 0\text{V}$ (internal oscillator) or $f_{\text{EOSC}} = 153600\text{Hz} \pm 2\%$ (external oscillator).

Note 8: $F_0 = V_{\text{CC}}$ (internal oscillator) or $f_{\text{EOSC}} = 128000\text{Hz} \pm 2\%$ (external oscillator).

Note 9: The converter is in external SCK mode of operation such that the SCK pin is used as digital input. The frequency of the clock signal driving SCK during the data output is f_{ESCK} and is expressed in kHz.

Note 10: The converter is in internal SCK mode of operation such that the SCK pin is used as digital output. In this mode of operation, the SCK pin has a total equivalent load capacitance $C_{\text{LOAD}} = 20\text{pF}$.

Note 11: The external oscillator is connected to the F_0 pin. The external oscillator frequency, f_{EOSC} , is expressed in kHz.

Note 12: The converter uses the internal oscillator.

$F_0 = 0\text{V}$ or $F_0 = V_{\text{CC}}$.

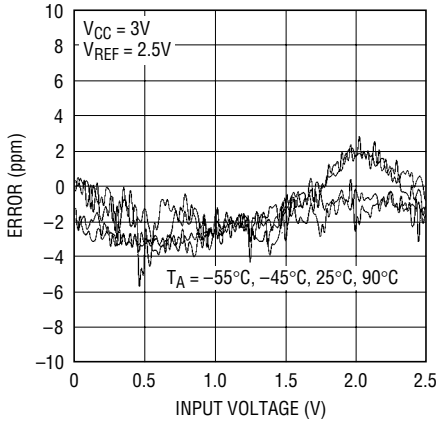
Note 13: The output noise includes the contribution of the internal calibration operations.

Note 14: $V_{\text{REF}} = F_{\text{SET}} - Z_{\text{SET}}$. The minimum input voltage is limited to -0.3V and the maximum to $V_{\text{CC}} + 0.3\text{V}$.

Note 15: V_{CC} (DC) = 4.1V , V_{CC} (AC) = $2.8\text{V}_{\text{P-P}}$.

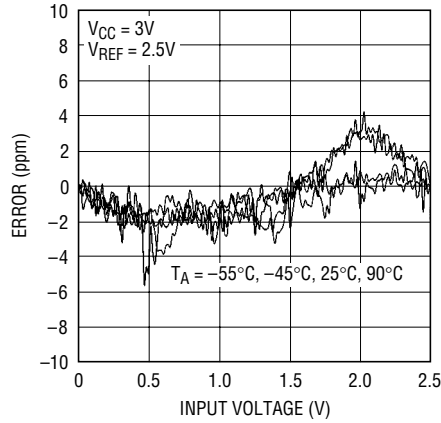
TYPICAL PERFORMANCE CHARACTERISTICS

Total Unadjusted Error (3V Supply)



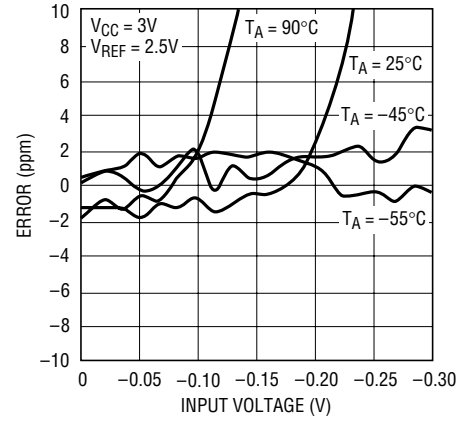
24212 G01

INL (3V Supply)



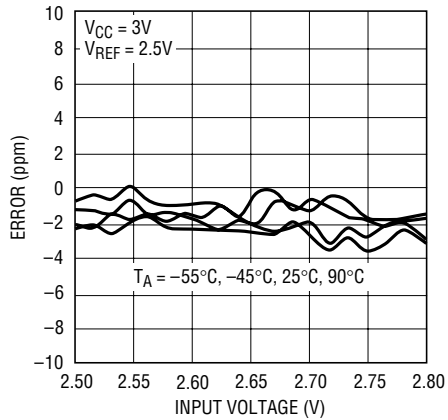
24212 G02

Negative Extended Input Range Total Unadjusted Error (3V Supply)



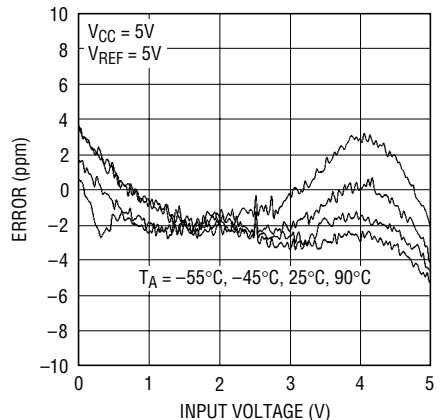
24212 G03

Positive Extended Input Range Total Unadjusted Error (3V Supply)



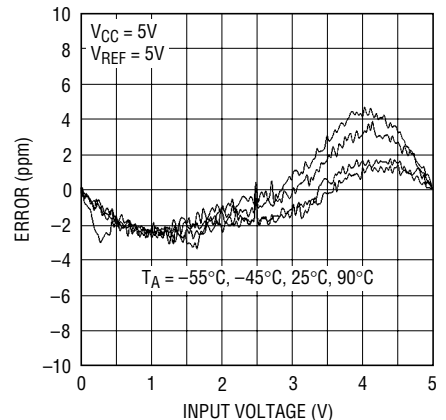
24212 G04

Total Unadjusted Error (5V Supply)



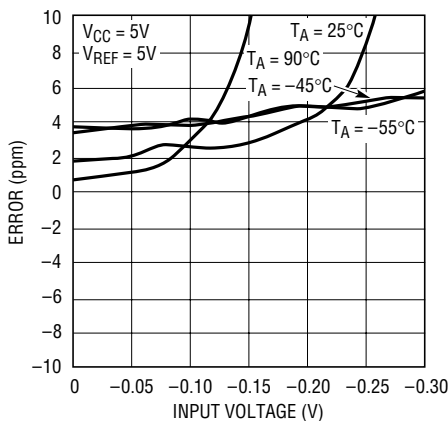
24212 G05

INL (5V Supply)



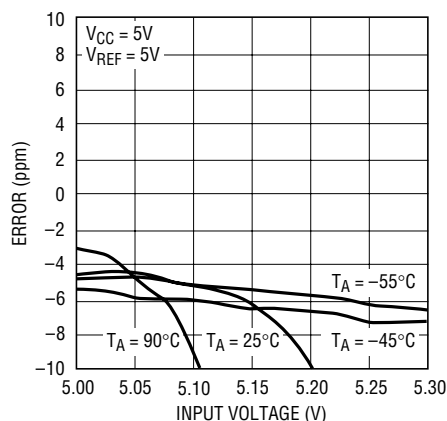
24212 G06

Negative Extended Input Range Total Unadjusted Error (5V Supply)



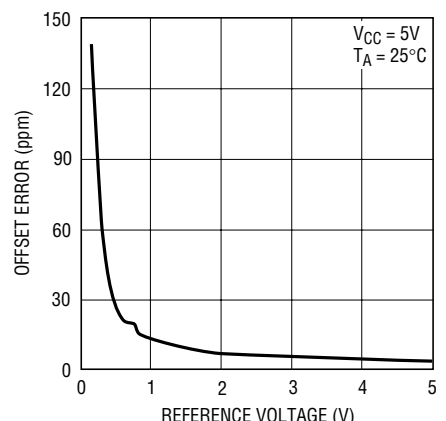
24212 G07

Positive Extended Input Range Total Unadjusted Error (5V Supply)



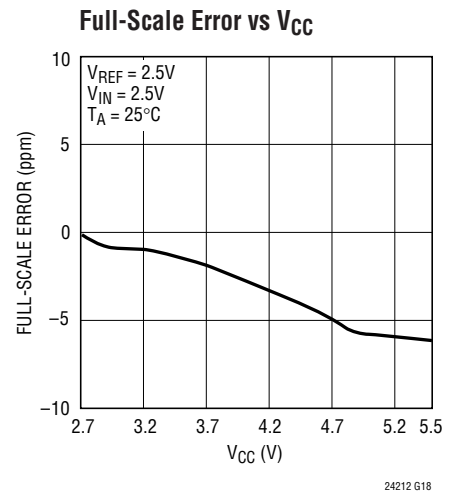
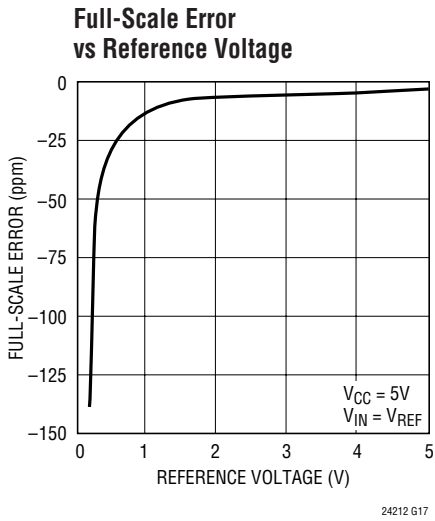
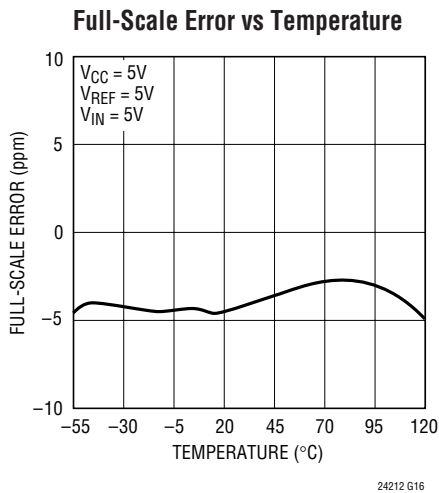
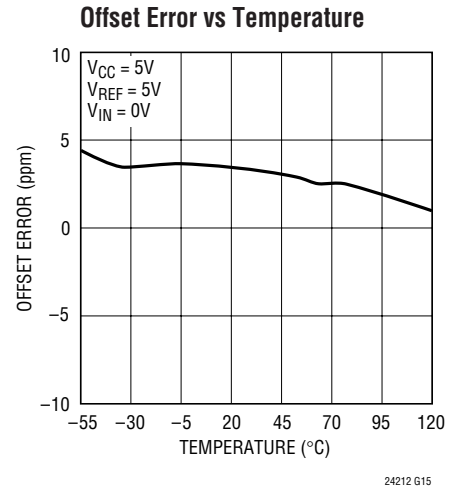
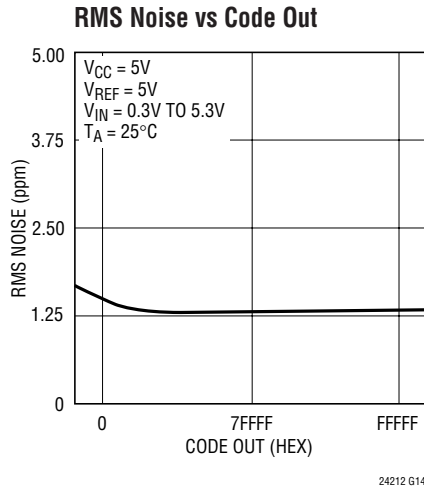
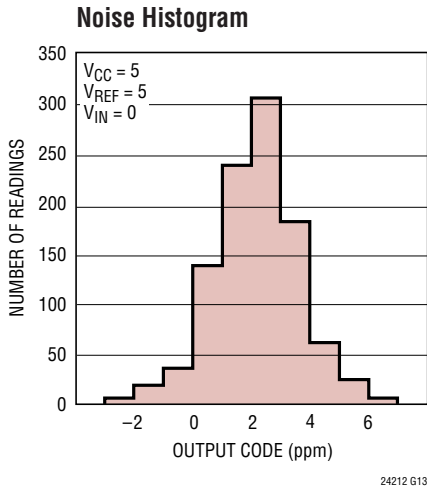
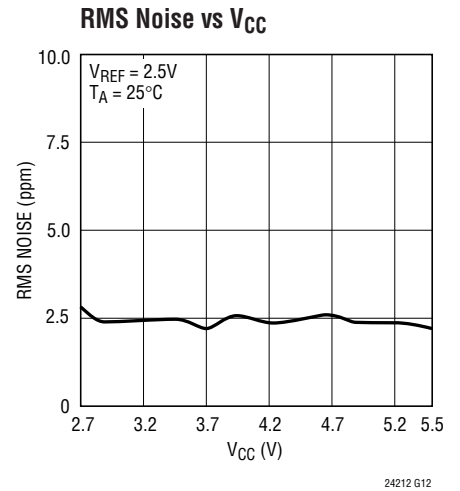
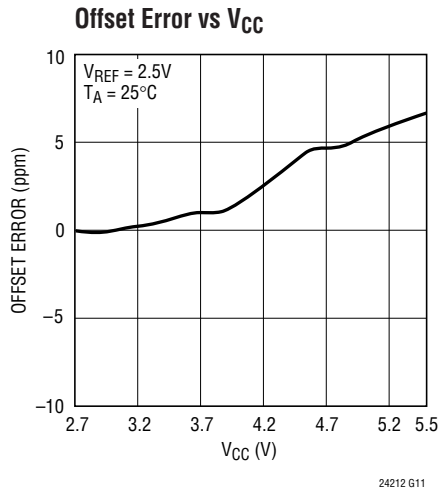
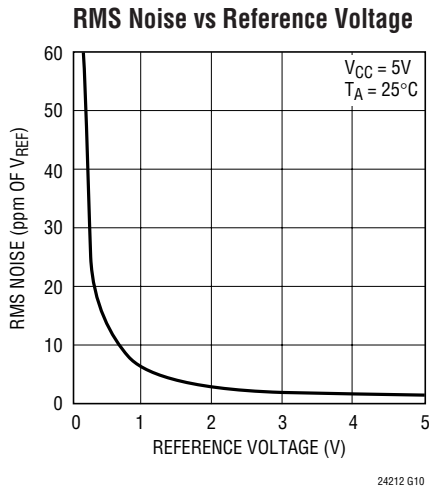
24212 G08

Offset Error vs Reference Voltage



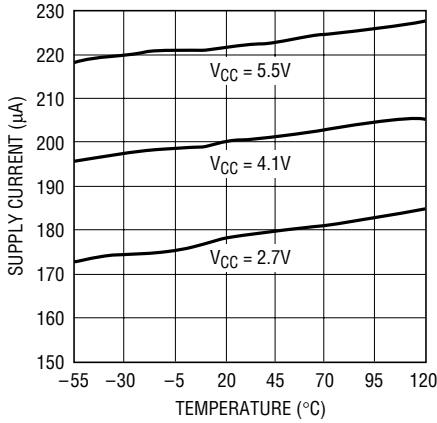
24212 G09

TYPICAL PERFORMANCE CHARACTERISTICS



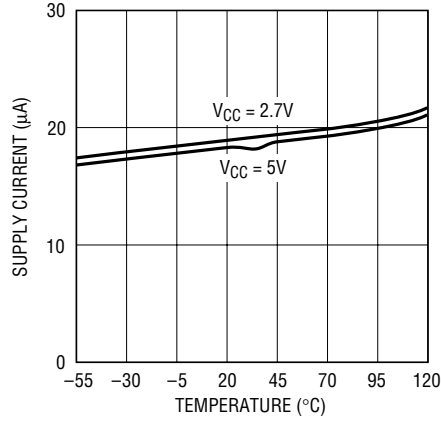
TYPICAL PERFORMANCE CHARACTERISTICS

Conversion Current vs Temperature



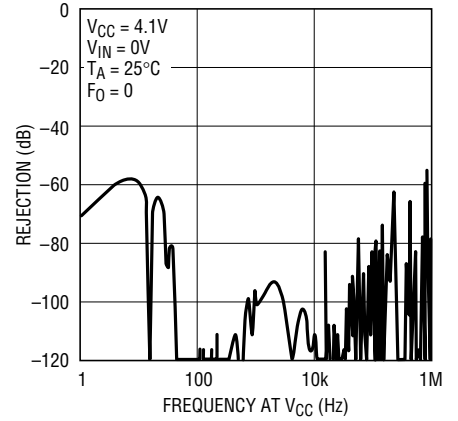
24212 G19

Sleep Current vs Temperature



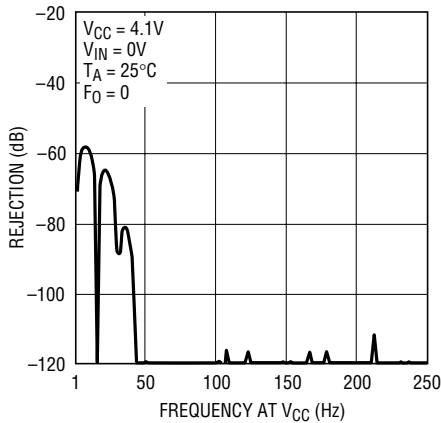
24212 G20

Rejection vs Frequency at VCC



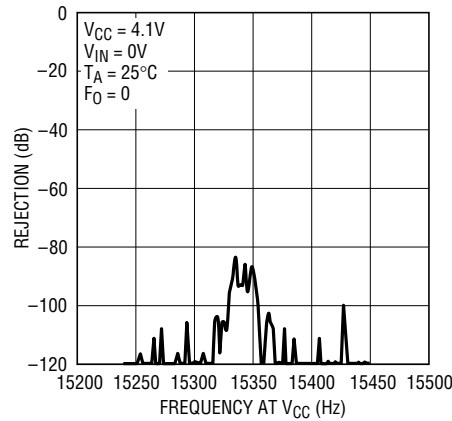
24212 G23

Rejection vs Frequency at VCC



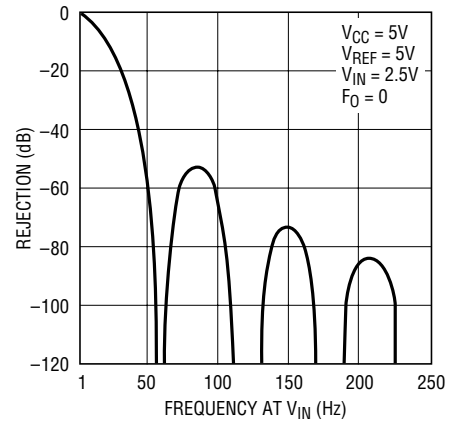
24212 G21

Rejection vs Frequency at VCC



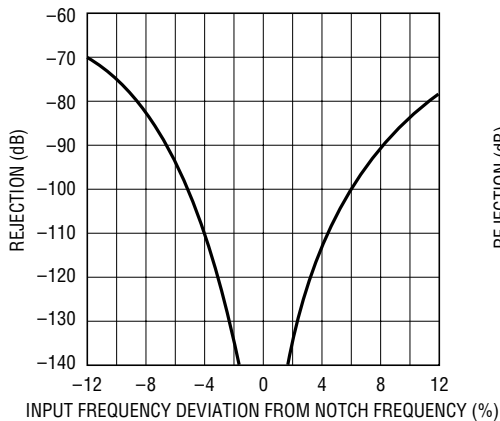
24212 G22

Rejection vs Frequency at VIN



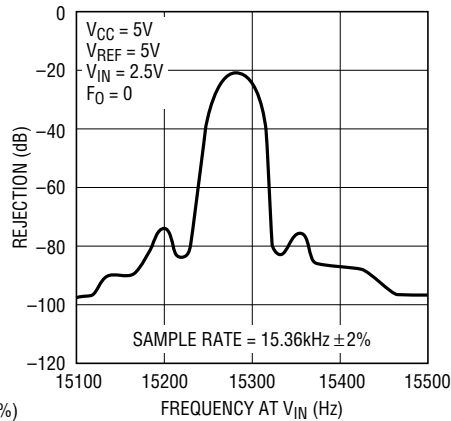
24212 G24

Rejection vs Frequency at VIN



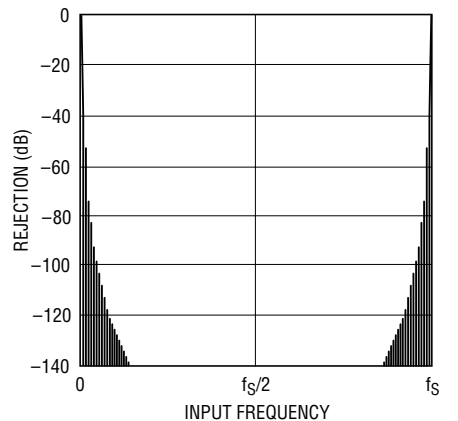
24212 G25

Rejection vs Frequency at VIN



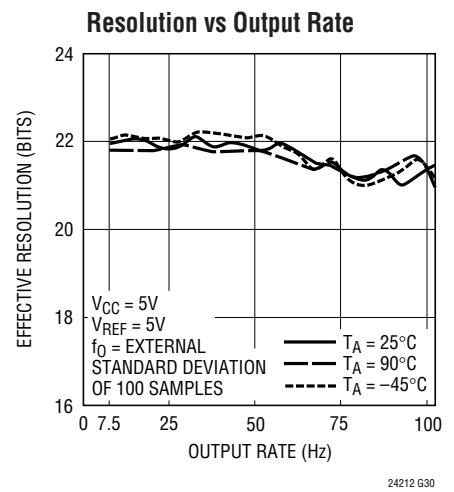
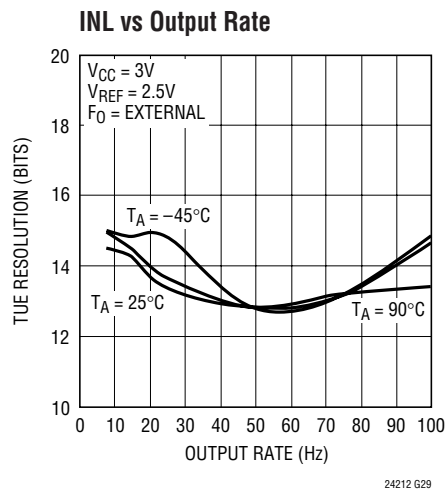
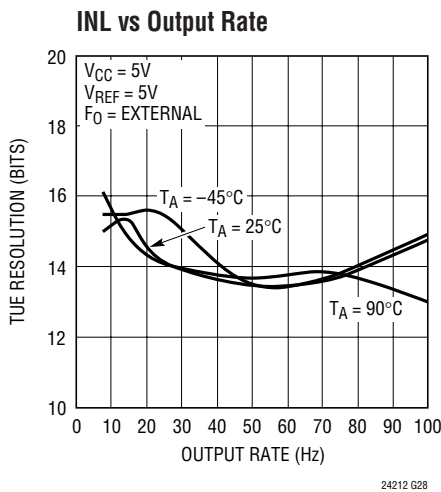
24212 G26

Rejection vs Frequency at VIN



24212 G27

TYPICAL PERFORMANCE CHARACTERISTICS



PIN FUNCTIONS

V_{CC} (Pin 1): Positive Supply Voltage. Bypass to GND (Pin 6) with a 10 μ F tantalum capacitor in parallel with 0.1 μ F ceramic capacitor as close to the part as possible.

FS_{SET} (Pin 2): Full-Scale Set Input. This pin defines the full-scale input value. When $V_{IN} = FS_{SET}$, the ADC outputs full scale (FFFF $_H$). The total reference voltage is $FS_{SET} - ZS_{SET}$.

CH0, CH1 (Pins 4, 3): Analog Input Channels. The input voltage range is $-0.125 \cdot V_{REF}$ to $1.125 \cdot V_{REF}$. For $V_{REF} > 2.5V$, the input voltage range may be limited by the absolute maximum rating of $-0.3V$ to $V_{CC} + 0.3V$. Conversions are performed alternately between CH0 and CH1 for the LTC2422. Pin 4 is a No Connect (NC) on the LTC2421.

ZS_{SET} (Pin 5): Zero-Scale Set Input. This pin defines the zero-scale input value. When $V_{IN} = ZS_{SET}$, the ADC outputs zero scale (00000 $_H$).

GND (Pin 6): Ground. Shared pin for analog ground, digital ground, reference ground and signal ground. Should

be connected directly to a ground plane through a minimum length trace or it should be the single-point-ground in a single-point grounding system.

\overline{CS} (Pin 7): Active LOW Digital Input. A LOW on this pin enables the SDO digital output and wakes up the ADC. Following each conversion, the ADC automatically enters the Sleep mode and remains in this low power state as long as \overline{CS} is HIGH. A LOW on \overline{CS} wakes up the ADC. A LOW-to-HIGH transition on this pin disables the SDO digital output. A LOW-to-HIGH transition on \overline{CS} during the Data Output transfer aborts the data transfer and starts a new conversion.

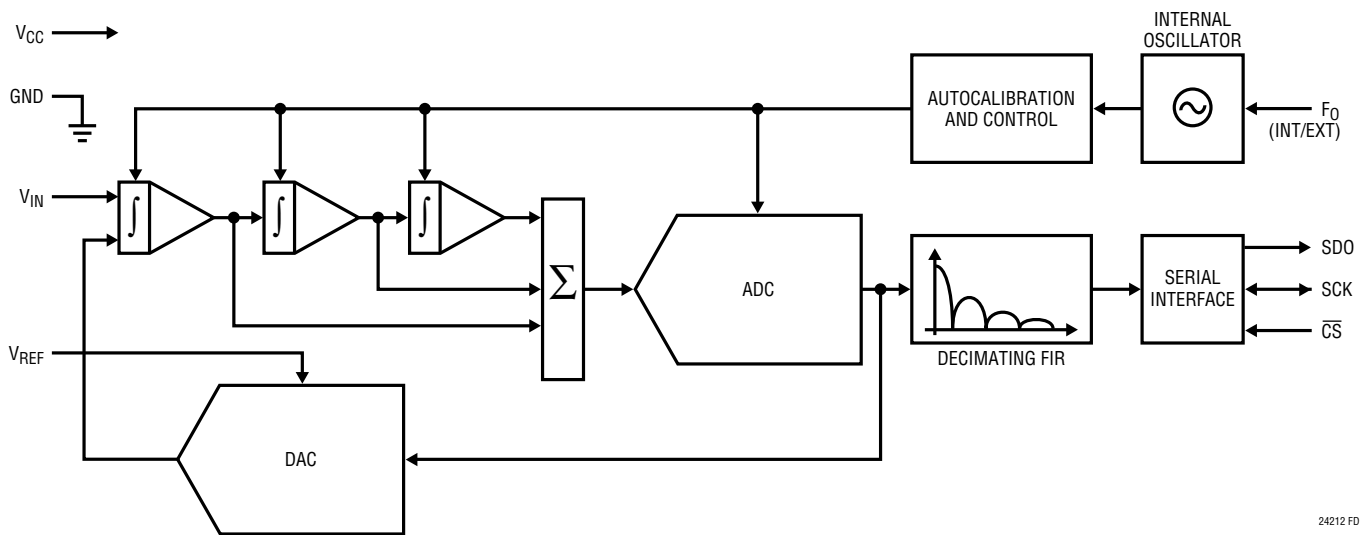
SDO (Pin 8): Three-State Digital Output. During the data output period, this pin is used for serial data output. When the chip select \overline{CS} is HIGH ($\overline{CS} = V_{CC}$), the SDO pin is in a high impedance state. During the Conversion and Sleep periods, this pin can be used as a conversion status output. The conversion status can be observed by pulling \overline{CS} LOW.

PIN FUNCTIONS

SCK (Pin 9): Bidirectional Digital Clock Pin. In the Internal Serial Clock Operation mode, SCK is used as digital output for the internal serial interface clock during the data output period. In the External Serial Clock Operation mode, SCK is used as digital input for the external serial interface. An internal pull-up current source is automatically activated in Internal Serial Clock Operation mode. The Serial Clock mode is determined by the level applied to SCK at power up and the falling edge of \overline{CS} .

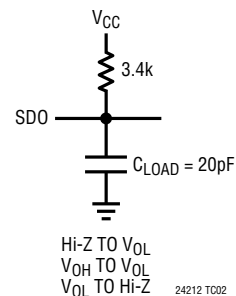
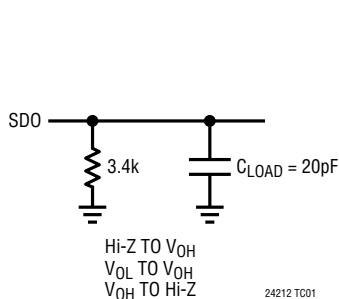
F₀ (Pin 10): Frequency Control Pin. Digital input that controls the ADC's notch frequencies and conversion time. When the F₀ pin is connected to V_{CC} (F₀ = V_{CC}), the converter uses its internal oscillator and the digital filter's first null is located at 50Hz. When the F₀ pin is connected to GND (F₀ = 0V), the converter uses its internal oscillator and the digital filter's first null is located at 60Hz. When F₀ is driven by an external clock signal with a frequency f_{EOSC}, the converter uses this signal as its clock and the digital filter first null is located at a frequency f_{EOSC}/2560.

FUNCTIONAL BLOCK DIAGRAM



24212 FD

TEST CIRCUITS



APPLICATIONS INFORMATION

The LTC2421/LTC2422 are pin compatible with the LTC2401/LTC2402. The devices are designed to allow the user to incorporate either device in the same design with no modifications. While the LTC2421/LTC2422 output word length is 24 bits (as opposed to the 32-bit output of the LTC2401/LTC2402), its output clock timing can be identical to the LTC2401/LTC2402. As shown in Figure 1, the LTC2421/LTC2422 data output is concluded on the falling edge of the 24th serial clock (SCK). In order to maintain drop-in compatibility with the LTC2401/LTC2402, it is possible to clock the LTC2421/LTC2422 with an additional 8 serial clock pulses. This results in 8 additional output bits which are always logic HIGH.

Converter Operation Cycle

The LTC2421/LTC2422 are low power, delta-sigma analog-to-digital converters with an easy to use 3-wire serial interface. Their operation is simple and made up of three states. The converter operating cycle begins with the conversion, followed by the sleep state and concluded with the data output (see Figure 2). The 3-wire interface consists of serial data output (SDO), a serial clock (SCK) and a chip select (\overline{CS}).

Initially, the LTC2421/LTC2422 perform a conversion. Once the conversion is complete, the device enters the sleep state. While in this sleep state, power consumption is reduced by an order of magnitude if \overline{CS} is HIGH. The part remains in the sleep state as long as \overline{CS} is logic HIGH. The conversion result is held indefinitely in a static shift register while the converter is in the sleep state.

Once \overline{CS} is pulled LOW and SCK rising edge is applied, the device begins outputting the conversion result. There is no latency in the conversion result. The data output corresponds to the conversion just performed. This result is shifted out on the serial data out pin (SDO) under the control of the serial clock (SCK). Data is updated on the falling edge of SCK allowing the user to reliably latch data on the rising edge of SCK, see Figure 4. The data output state is concluded once 24 bits are read out of the ADC or when \overline{CS} is brought HIGH. The device automatically initiates a new conversion and the cycle repeats.

Through timing control of the \overline{CS} and SCK pins, the LTC2421/LTC2422 offer several flexible modes of operation (internal or external SCK and free-running conversion modes). These various modes do not require programming configuration registers; moreover, they do not disturb the cyclic operation described above. These modes of operation are described in detail in the Serial Interface Timing Modes section.

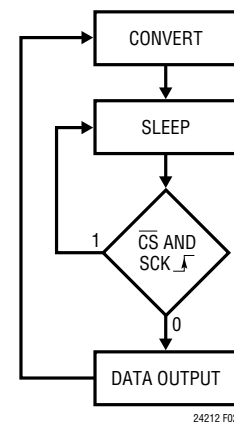


Figure 2. LTC2421/LTC2422 State Transition Diagram

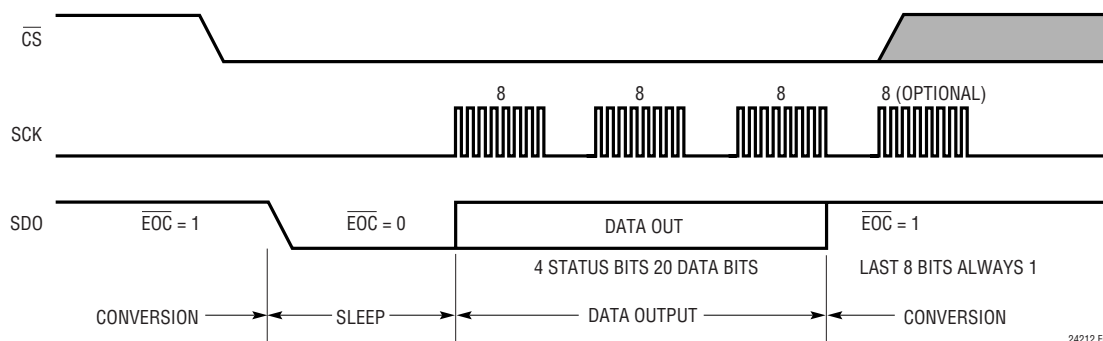


Figure 1. LTC2421/LTC2422 Compatible Timing with the LTC2401/LTC2402

APPLICATIONS INFORMATION

Conversion Clock

A major advantage delta-sigma converters offer over conventional type converters is an on-chip digital filter (commonly known as Sinc or Comb filter). For high resolution, low frequency applications, this filter is typically designed to reject line frequencies of 50Hz or 60Hz plus their harmonics. In order to reject these frequencies in excess of 110dB, a highly accurate conversion clock is required. The LTC2421/LTC2422 incorporate an on-chip highly accurate oscillator. This eliminates the need for external frequency setting components such as crystals or oscillators. Clocked by the on-chip oscillator, the LTC2421/LTC2422 reject line frequencies (50Hz or 60Hz $\pm 2\%$) a minimum of 110dB.

Ease of Use

The LTC2421/LTC2422 data output has no latency, filter settling or redundant data associated with the conversion cycle. There is a one-to-one correspondence between the conversion and the output data. Therefore, multiplexing an analog input voltage is easy.

The LTC2421/LTC2422 perform offset and full-scale calibrations every conversion cycle. This calibration is transparent to the user and has no effect on the cyclic operation described above. The advantage of continuous calibration is extreme stability of offset and full-scale readings with respect to time, supply voltage change and temperature drift.

Power-Up Sequence

The LTC2421/LTC2422 automatically enter an internal reset state when the power supply voltage V_{CC} drops below approximately 2.2V. This feature guarantees the integrity of the conversion result and of the serial interface mode selection which is performed at the initial power-up. (See the 2-wire I/O sections in the Serial Interface Timing Modes section.)

When the V_{CC} voltage rises above this critical threshold, the converter creates an internal power-on-reset (POR) signal with duration of approximately 0.5ms. The POR signal clears all internal registers. Following the POR signal, the LTC2421/LTC2422 start a normal conversion cycle and follows the normal succession of states described

above. The first conversion result following POR is accurate within the specifications of the device.

Reference Voltage Range

The LTC2421/LTC2422 can accept a reference voltage ($V_{REF} = FS_{SET} - ZS_{SET}$) from 0V to V_{CC} . The converter output noise is determined by the thermal noise of the front-end circuits, and as such, its value in microvolts is nearly constant with reference voltage. A decrease in reference voltage will not significantly improve the converter's effective resolution. On the other hand, a reduced reference voltage will improve the overall converter INL performance. The recommended range for the LTC2421/LTC2422 voltage reference is 100mV to V_{CC} .

Input Voltage Range

The converter is able to accommodate system level offset and gain errors as well as system level overrange situations due to its extended input range, see Figure 3. The LTC2421/LTC2422 convert input signals within the extended input range of $-0.125 \cdot V_{REF}$ to $1.125 \cdot V_{REF}$ ($V_{REF} = FS_{SET} - ZS_{SET}$).

For large values of V_{REF} ($V_{REF} = FS_{SET} - ZS_{SET}$), this range is limited by the absolute maximum voltage range of $-0.3V$ to $(V_{CC} + 0.3V)$. Beyond this range, the input ESD protection devices begin to turn on and the errors due to the input leakage current increase rapidly.

Input signals applied to V_{IN} may extend below ground by $-300mV$ and above V_{CC} by 300mV. In order to limit any

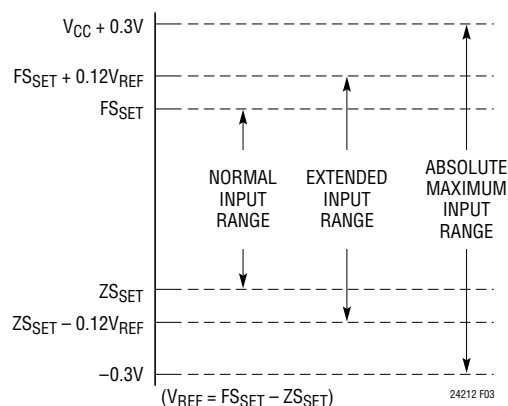


Figure 3. LTC2421/LTC2422 Input Range

APPLICATIONS INFORMATION

fault current, a resistor of up to 5k may be added in series with the V_{IN} pin without affecting the performance of the device. In the physical layout, it is important to maintain the parasitic capacitance of the connection between this series resistance and the V_{IN} pin as low as possible; therefore, the resistor should be located as close as practical to the V_{IN} pin. The effect of the series resistance on the converter accuracy can be evaluated from the curves presented in the Analog Input/Reference Current section. In addition, a series resistor will introduce a temperature dependent offset error due to the input leakage current. A 1nA input leakage current will develop a 1ppm offset error on a 5k resistor if $V_{REF} = 5V$. This error has a very strong temperature dependency.

Output Data Format

The LTC2421/LTC2422 serial output data stream is 24 bits long. The first 4 bits represent status information indicating the sign, selected channel, input range and conversion state. The next 20 bits are the conversion result, MSB first.

Bit 23 (first output bit) is the end of conversion (\overline{EOC}) indicator. This bit is available at the \overline{SDO} pin during the conversion and sleep states whenever the \overline{CS} pin is LOW. This bit is HIGH during the conversion and goes LOW when the conversion is complete.

Bit 22 (second output bit) for the LTC2422, this bit is LOW if the last conversion was performed on CH0 and HIGH for CH1. This bit is always LOW for the LTC2421.

Bit 21 (third output bit) is the conversion result sign indicator (SIG). If V_{IN} is >0 , this bit is HIGH. If V_{IN} is <0 , this bit is LOW. The sign bit changes state during the zero code.

Bit 20 (fourth output bit) is the extended input range (EXR) indicator. If the input is within the normal input range

$0 \leq V_{IN} \leq V_{REF}$, this bit is LOW. If the input is outside the normal input range, $V_{IN} > V_{REF}$ or $V_{IN} < 0$, this bit is HIGH.

The function of these bits is summarized in Table 1.

Table 1. LTC2421/LTC2422 Status Bits

Input Range	Bit 23 EOC	Bit 22 CH0/CH1	Bit 21 SIG	Bit 20 EXR
$V_{IN} > V_{REF}$	0	*0/1	1	1
$0 < V_{IN} \leq V_{REF}$	0	*0/1	1	0
$V_{IN} = 0^+/0^-$	0	*0/1	1/0	0
$V_{IN} < 0$	0	*0/1	0	1

*Bit 22 displays the channel number for the LTC2422. Bit 22 is always 0 for the LTC2421

Bit 19 (fifth output bit) is the most significant bit (MSB).

Bits 19-0 are the 20-bit conversion result MSB first.

Bit 0 is the least significant bit (LSB).

Data is shifted out of the \overline{SDO} pin under control of the serial clock (SCK), see Figure 4. Whenever \overline{CS} is HIGH, \overline{SDO} remains high impedance and any SCK clock pulses are ignored by the internal data out shift register.

In order to shift the conversion result out of the device, \overline{CS} must first be driven LOW. \overline{EOC} is seen at the \overline{SDO} pin of the device once \overline{CS} is pulled LOW. \overline{EOC} changes real time from HIGH to LOW at the completion of a conversion. This signal may be used as an interrupt for an external microcontroller. Bit 23 (\overline{EOC}) can be captured on the first rising edge of SCK. Bit 22 is shifted out of the device on the first falling edge of SCK. The final data bit (Bit 0) is shifted out on the falling edge of the 23rd SCK and may be latched on the rising edge of the 24th SCK pulse. On the falling edge of the 24th SCK pulse, \overline{SDO} goes HIGH indicating a new conversion cycle has been initiated. This bit serves as \overline{EOC} (Bit 23) for the next conversion cycle. Table 2 summarizes the output data format.

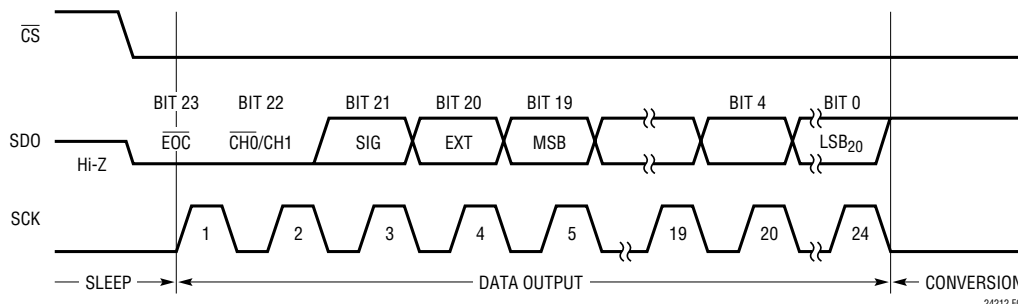


Figure 4. Output Data Timing

APPLICATIONS INFORMATION

Table 2. LTC2421/LTC2422 Output Data Format

Input Voltage	Bit 23 EOC	Bit 22* CH0/CH1	Bit 21 SIG	Bit 20 EXR	Bit 19 MSB	Bit 18	Bit 17	Bit 16	Bit 15	...	Bit 0 LSB
$V_{IN} > 9/8 \cdot V_{REF}$	0	$\overline{CH0}/CH1$	1	1	0	0	0	1	1	...	1
$9/8 \cdot V_{REF}$	0	$\overline{CH0}/CH1$	1	1	0	0	0	1	1	...	1
$V_{REF} + 1LSB$	0	$\overline{CH0}/CH1$	1	1	0	0	0	0	0	...	0
V_{REF}	0	$\overline{CH0}/CH1$	1	0	1	1	1	1	1	...	1
$3/4V_{REF} + 1LSB$	0	$\overline{CH0}/CH1$	1	0	1	1	0	0	0	...	0
$3/4V_{REF}$	0	$\overline{CH0}/CH1$	1	0	1	0	1	1	1	...	1
$1/2V_{REF} + 1LSB$	0	$\overline{CH0}/CH1$	1	0	1	0	0	0	0	...	0
$1/2V_{REF}$	0	$\overline{CH0}/CH1$	1	0	0	1	1	1	1	...	1
$1/4V_{REF} + 1LSB$	0	$\overline{CH0}/CH1$	1	0	0	1	0	0	0	...	0
$1/4V_{REF}$	0	$\overline{CH0}/CH1$	1	0	0	0	1	1	1	...	1
$0^+/0^-$	0	$\overline{CH0}/CH1$	1/0**	0	0	0	0	0	0	...	0
-1LSB	0	$\overline{CH0}/CH1$	0	1	1	1	1	1	1	...	1
$-1/8 \cdot V_{REF}$	0	$\overline{CH0}/CH1$	0	1	1	1	1	0	0	...	0
$V_{IN} < -1/8 \cdot V_{REF}$	0	$\overline{CH0}/CH1$	0	1	1	1	1	0	0	...	0

*Bit 22 is always 0 for the LTC2421 **The sign bit changes state during the 0 code.

As long as the voltage on the V_{IN} pin is maintained within the $-0.3V$ to $(V_{CC} + 0.3V)$ absolute maximum operating range, a conversion result is generated for any input value from $-0.125 \cdot V_{REF}$ to $1.125 \cdot V_{REF}$. For input voltages greater than $1.125 \cdot V_{REF}$, the conversion result is clamped to the value corresponding to $1.125 \cdot V_{REF}$. For input voltages below $-0.125 \cdot V_{REF}$, the conversion result is clamped to the value corresponding to $-0.125 \cdot V_{REF}$.

Frequency Rejection Selection (F_0 Pin Connection)

The LTC2421/LTC2422 internal oscillator provides better than 110dB normal mode rejection at the line frequency and all its harmonics for $50Hz \pm 2\%$ or $60Hz \pm 2\%$. For 60Hz rejection, F_0 (Pin 10) should be connected to GND (Pin 6) while for 50Hz rejection the F_0 pin should be connected to V_{CC} (Pin 1).

The selection of 50Hz or 60Hz rejection can also be made by driving F_0 to an appropriate logic level. A selection change during the sleep or data output states will not disturb the converter operation. If the selection is made during the conversion state, the result of the conversion in progress may be outside specifications but the following conversions will not be affected.

When a fundamental rejection frequency different from 50Hz or 60Hz is required or when the converter must be synchronized with an outside source, the LTC2421/LTC2422 can operate with an external conversion clock. The converter automatically detects the presence of an external clock signal at the F_0 pin and turns off the internal oscillator. The frequency f_{EOSC} of the external signal must be at least 2560Hz (1Hz notch frequency) to be detected. The external clock signal duty cycle is not significant as long as the minimum and maximum specifications for the high and low periods t_{HEO} and t_{LEO} are observed.

While operating with an external conversion clock of a frequency f_{EOSC} , the LTC2421/LTC2422 provide better than 110dB normal mode rejection in a frequency range $f_{EOSC}/2560 \pm 4\%$ and its harmonics. The normal mode rejection as a function of the input frequency deviation from $f_{EOSC}/2560$ is shown in Figure 5.

Whenever an external clock is not present at the F_0 pin, the converter automatically activates its internal oscillator and enters the Internal Conversion Clock mode. The LTC2421/LTC2422 operation will not be disturbed if the change of conversion clock source occurs during the sleep state or during the data output state while the converter uses an

APPLICATIONS INFORMATION

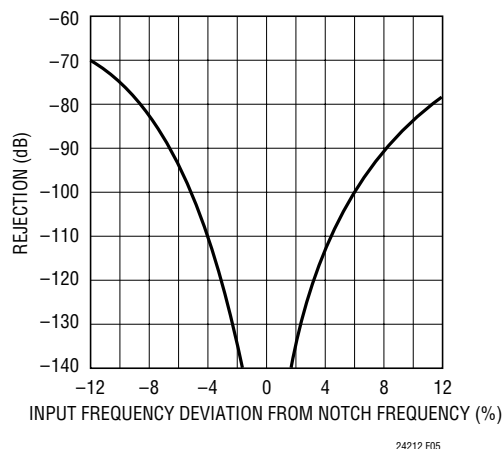


Figure 5. LTC2421/LTC2422 Normal Mode Rejection When Using an External Oscillator of Frequency f_{EOSC}

external serial clock. If the change occurs during the conversion state, the result of the conversion in progress may be outside specifications but the following conversions will not be affected. If the change occurs during the data output state and the converter is in the Internal SCK mode, the serial clock duty cycle may be affected but the serial data stream will remain valid.

Table 3 summarizes the duration of each state as a function of F_0 .

SERIAL INTERFACE

The LTC2421/LTC2422 transmit the conversion results and receives the start of conversion command through a

synchronous 3-wire interface. During the conversion and sleep states, this interface can be used to assess the converter status and during the data output state, it is used to read the conversion result.

Serial Clock Input/Output (SCK)

The serial clock signal present on SCK (Pin 9) is used to synchronize the data transfer. Each bit of data is shifted out the SDO pin on the falling edge of the serial clock.

In the Internal SCK mode of operation, the SCK pin is an output and the LTC2421/LTC2422 create their own serial clock by dividing the internal conversion clock by 8. In the External SCK mode of operation, the SCK pin is used as input. The internal or external SCK mode is selected on power-up and then reselected every time a HIGH-to-LOW transition is detected at the \overline{CS} pin. If SCK is HIGH or floating at power-up or during this transition, the converter enters the internal SCK mode. If SCK is LOW at power-up or during this transition, the converter enters the external SCK mode.

Serial Data Output (SDO)

The serial data output pin, SDO (Pin 8), drives the serial data during the data output state. In addition, the SDO pin is used as an end of conversion indicator during the conversion and sleep states.

When \overline{CS} (Pin 7) is HIGH, the SDO driver is switched to a high impedance state. This allows sharing the serial

Table 3. LTC2421/LTC2422 State Duration

State	Operating Mode		Duration
CONVERT	Internal Oscillator	$F_0 = \text{LOW}$ (60Hz Rejection)	133ms
		$F_0 = \text{HIGH}$ (50Hz Rejection)	160ms
	External Oscillator	$F_0 = \text{External Oscillator}$ with Frequency f_{EOSC} kHz ($f_{EOSC}/2560$ Rejection)	$20510/f_{EOSC}$
SLEEP			As Long As $\overline{CS} = \text{HIGH}$ Until $\overline{CS} = 0$ and SCK \uparrow
DATA OUTPUT	Internal Serial Clock	$F_0 = \text{LOW/HIGH}$ (Internal Oscillator)	As Long As $\overline{CS} = \text{LOW}$ But Not Longer Than 1.28ms (24 SCK cycles)
		$F_0 = \text{External Oscillator with}$ Frequency f_{EOSC} kHz	As Long As $\overline{CS} = \text{LOW}$ But Not Longer Than $192/f_{EOSC}$ ms (24 SCK cycles)
	External Serial Clock with Frequency f_{SCK} kHz	As Long As $\overline{CS} = \text{LOW}$ But Not Longer Than $24/f_{SCK}$ ms (24 SCK cycles)	

24212f

APPLICATIONS INFORMATION

interface with other devices. If \overline{CS} is LOW during the convert or sleep state, SDO will output \overline{EOC} . If \overline{CS} is LOW during the conversion phase, the \overline{EOC} bit appears HIGH on the SDO pin. Once the conversion is complete, \overline{EOC} goes LOW. The device remains in the sleep state until the first rising edge of SCK occurs while $\overline{CS} = 0$. While in the sleep state, the device is in a LOW power state if \overline{CS} is HIGH.

Chip Select Input (\overline{CS})

The active LOW chip select, \overline{CS} (Pin 7), is used to test the conversion status and to enable the data output transfer as described in the previous sections.

In addition, the \overline{CS} signal can be used to trigger a new conversion cycle before the entire serial data transfer has been completed. The LTC2421/LTC2422 will abort any serial data transfer in progress and start a new conversion cycle anytime a LOW-to-HIGH transition is detected at the \overline{CS} pin after the converter has entered the data output state (i.e., after the first rising edge of SCK occurs with $\overline{CS} = 0$).

Finally, \overline{CS} can be used to control the free-running modes of operation, see Serial Interface Timing Modes section. Grounding \overline{CS} will force the ADC to continuously convert at the maximum output rate selected by F_0 . Tying a capacitor to \overline{CS} will reduce the output rate and power dissipation by a factor proportional to the capacitor's value, see Figures 13 to 15.

SERIAL INTERFACE TIMING MODES

The LTC2421/LTC2422's 3-wire interface is SPI and MICROWIRE compatible. This interface offers several flexible modes of operation. These include internal/external serial clock, 2- or 3-wire I/O, single cycle conversion and autostart. The following sections describe each of

these serial interface timing modes in detail. In all these cases, the converter can use the internal oscillator ($F_0 = \text{LOW}$ or $F_0 = \text{HIGH}$) or an external oscillator connected to the F_0 pin. Refer to Table 4 for a summary.

External Serial Clock, Single Cycle Operation (SPI/MICROWIRE Compatible)

This timing mode uses an external serial clock to shift out the conversion result and a \overline{CS} signal to monitor and control the state of the conversion cycle, see Figure 6.

The serial clock mode is selected on the falling edge of \overline{CS} . To select the external serial clock mode, the serial clock pin (SCK) must be LOW during each \overline{CS} falling edge.

The serial data output pin (SDO) is Hi-Z as long as \overline{CS} is HIGH. At any time during the conversion cycle, \overline{CS} may be pulled LOW in order to monitor the state of the converter. While \overline{CS} is LOW, \overline{EOC} is output to the SDO pin. $\overline{EOC} = 1$ while a conversion is in progress and $\overline{EOC} = 0$ if the device is in the sleep state. Independent of \overline{CS} , the device automatically enters the sleep state once the conversion is complete. While in the sleep state, power is reduced an order of magnitude if \overline{CS} is HIGH.

When the device is in the sleep state ($\overline{EOC} = 0$), its conversion result is held in an internal static shift register. The device remains in the sleep state until the first rising edge of SCK is seen while \overline{CS} is LOW. Data is shifted out the SDO pin on each falling edge of SCK. This enables external circuitry to latch the output on the rising edge of SCK. \overline{EOC} can be latched on the first rising edge of SCK and the last bit of the conversion result can be latched on the 24th rising edge of SCK. On the 24th falling edge of SCK, the device begins a new conversion. SDO goes HIGH ($\overline{EOC} = 1$) indicating a conversion is in progress.

Table 4. LTC2421/LTC2422 Interface Timing Modes

Configuration	SCK Source	Conversion Cycle Control	Data Output Control	Connection and Waveforms
External SCK, Single Cycle Conversion	External	\overline{CS} and SCK	\overline{CS} and SCK	Figures 6, 7
External SCK, 2-Wire I/O	External	SCK	SCK	Figure 8
Internal SCK, Single Cycle Conversion	Internal	$\overline{CS} \downarrow$	$\overline{CS} \downarrow$	Figures 9, 10
Internal SCK, 2-Wire I/O, Continuous Conversion	Internal	Continuous	Internal	Figure 11
Internal SCK, Autostart Conversion	Internal	C_{EXT}	Internal	Figure 12

24212f

APPLICATIONS INFORMATION

At the conclusion of the data cycle, \overline{CS} may remain LOW and EOC monitored as an end-of-conversion interrupt. Alternatively, \overline{CS} may be driven HIGH setting SDO to Hi-Z. As described above, \overline{CS} may be pulled LOW at any time in order to monitor the conversion status.

Typically, \overline{CS} remains LOW during the data output state. However, the data output state may be aborted by pulling

\overline{CS} HIGH anytime between the first rising edge and the 24th falling edge of SCK, see Figure 7. On the rising edge of \overline{CS} , the device aborts the data output state and immediately initiates a new conversion. This is useful for systems not requiring all 24 bits of output data, aborting an invalid conversion cycle or synchronizing the start of a conversion.

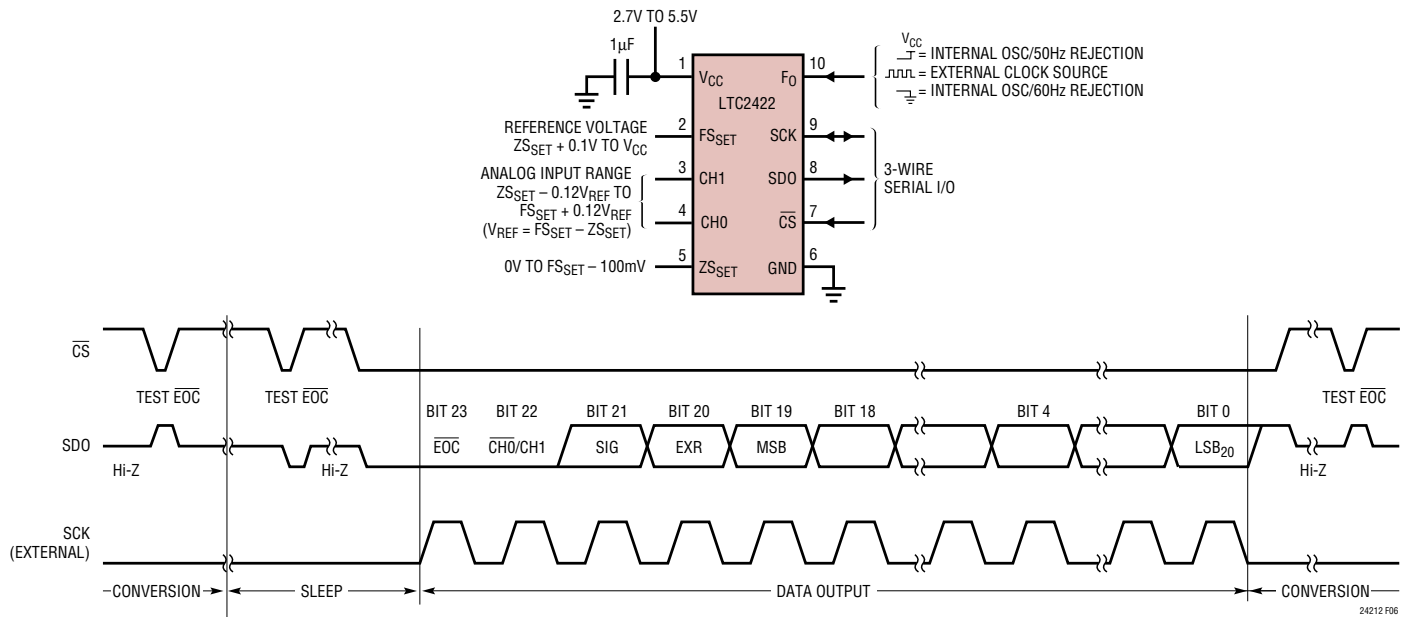


Figure 6. External Serial Clock, Single Cycle Operation

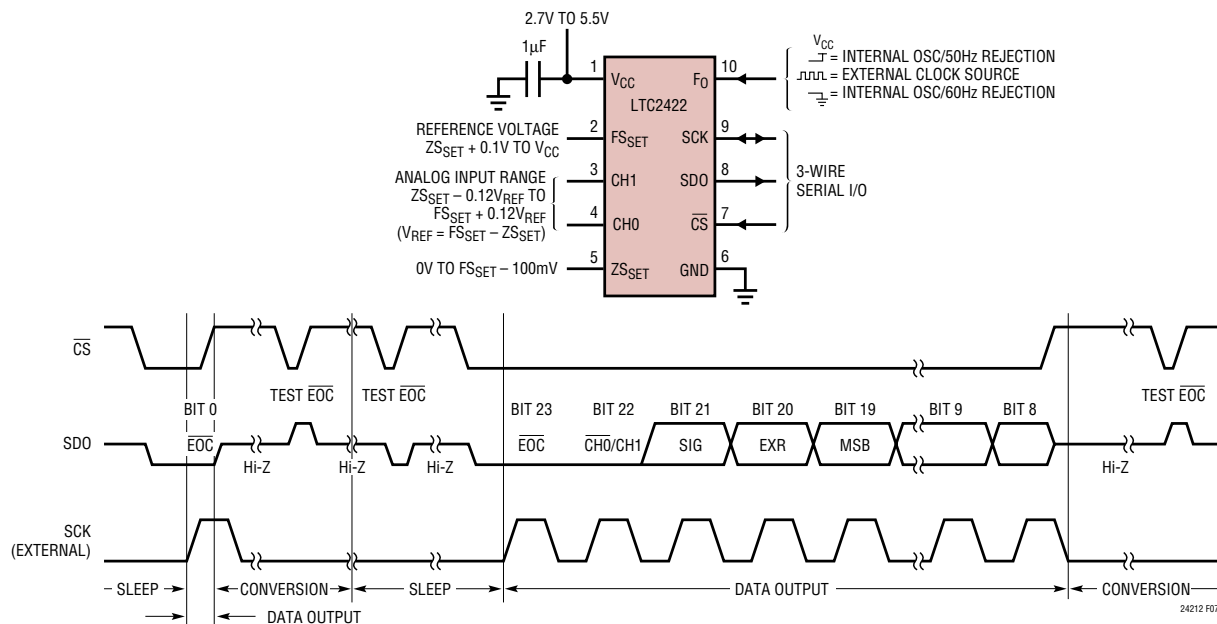


Figure 7. External Serial Clock, Reduced Data Output Length

APPLICATIONS INFORMATION

External Serial Clock, 2-Wire I/O

This timing mode utilizes a 2-wire serial I/O interface. The conversion result is shifted out of the device by an externally generated serial clock (SCK) signal, see Figure 8. \overline{CS} may be permanently tied to ground (Pin 6), simplifying the user interface or isolation barrier.

The external serial clock mode is selected at the end of the power-on reset (POR) cycle. The POR cycle is concluded approximately 0.5ms after V_{CC} exceeds 2.2V. The level applied to SCK at this time determines if SCK is internal or external. SCK must be driven LOW prior to the end of POR in order to enter the external serial clock timing mode.

Since \overline{CS} is tied LOW, the end-of-conversion (\overline{EOC}) can be continuously monitored at the SDO pin during the convert and sleep states. $\overline{EOC} = 1$ while the conversion is in progress and $\overline{EOC} = 0$ once the conversion enters the low power sleep state. On the falling edge of \overline{EOC} , the conversion result is loaded into an internal static shift register. The device remains in the sleep state until the first rising edge of SCK. Data is shifted out the SDO pin on each falling edge of SCK enabling external circuitry to latch data on the rising edge of SCK. \overline{EOC} can be latched on the first rising edge of SCK. On the 24th falling edge of SCK, SDO

goes HIGH ($\overline{EOC} = 1$) indicating a new conversion has begun.

Internal Serial Clock, Single Cycle Operation

This timing mode uses an internal serial clock to shift out the conversion result and a \overline{CS} signal to monitor and control the state of the conversion cycle, see Figure 9.

In order to select the internal serial clock timing mode, the serial clock pin (SCK) must be floating (Hi-Z) or pulled HIGH prior to the falling edge of \overline{CS} . The device will not enter the internal serial clock mode if SCK is driven LOW on the falling edge of \overline{CS} . An internal weak pull-up resistor is active on the SCK pin during the falling edge of \overline{CS} ; therefore, the internal serial clock timing mode is automatically selected if SCK is not externally driven.

The serial data output pin (SDO) is Hi-Z as long as \overline{CS} is HIGH. At any time during the conversion cycle, \overline{CS} may be pulled LOW in order to monitor the state of the converter. Once \overline{CS} is pulled LOW, SCK goes LOW and \overline{EOC} is output to the SDO pin. $\overline{EOC} = 1$ while a conversion is in progress and $\overline{EOC} = 0$ if the device is in the sleep state.

When testing \overline{EOC} , if the conversion is complete ($\overline{EOC} = 0$), the device will exit the sleep state and enter the data output state if \overline{CS} remains LOW. In order to prevent the device from exiting the low power sleep state, \overline{CS} must be pulled

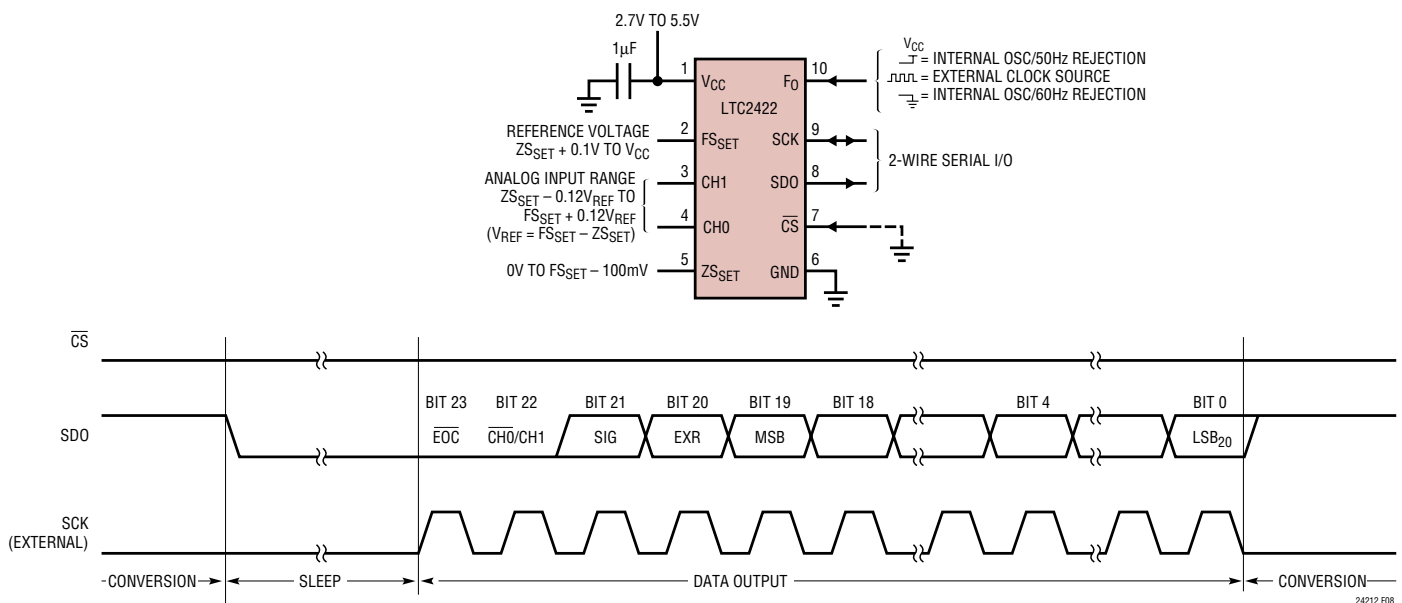


Figure 8. External Serial Clock, $\overline{CS} = 0$ Operation

APPLICATIONS INFORMATION

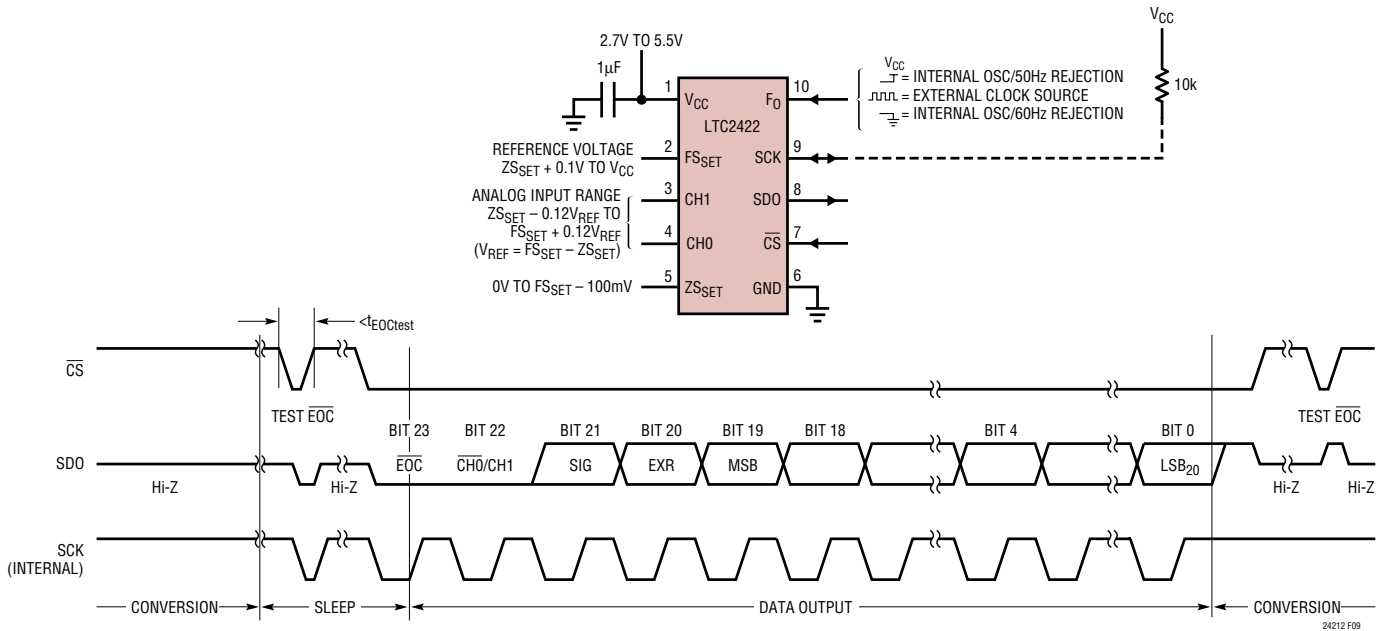


Figure 9. Internal Serial Clock, Single Cycle Operation

HIGH before the first rising edge of SCK. In the internal SCK timing mode, SCK goes HIGH and the device begins outputting data at time $t_{EOCtest}$ after the falling edge of \overline{CS} (if $\overline{EOC} = 0$) or $t_{EOCtest}$ after \overline{EOC} goes LOW (if \overline{CS} is LOW during the falling edge of \overline{EOC}). The value of $t_{EOCtest}$ is 23 μ s if the device is using its internal oscillator ($F_0 = \text{logic LOW or HIGH}$). If F_0 is driven by an external oscillator of frequency f_{EOSC} , then $t_{EOCtest}$ is $3.6/f_{EOSC}$. If \overline{CS} is pulled HIGH before time $t_{EOCtest}$, the device remains in the sleep state. The conversion result is held in the internal static shift register.

If \overline{CS} remains LOW longer than $t_{EOCtest}$, the first rising edge of SCK will occur and the conversion result is serially shifted out of the SDO pin. The data output cycle begins on this first rising edge of SCK and concludes after the 24th rising edge. Data is shifted out the SDO pin on each falling edge of SCK. The internally generated serial clock is output to the SCK pin. This signal may be used to shift the conversion result into external circuitry. \overline{EOC} can be latched on the first rising edge of SCK and the last bit of the conversion result on the 24th rising edge of SCK. After the 24th rising edge, SDO goes HIGH ($\overline{EOC} = 1$), SCK stays HIGH, and a new conversion starts.

Typically, \overline{CS} remains LOW during the data output state. However, the data output state may be aborted by pulling

\overline{CS} HIGH anytime between the first and 24th rising edge of SCK, see Figure 10. On the rising edge of \overline{CS} , the device aborts the data output state and immediately initiates a new conversion. This is useful for systems not requiring all 24 bits of output data, aborting an invalid conversion cycle, or synchronizing the start of a conversion. If \overline{CS} is pulled HIGH while the converter is driving SCK LOW, the internal pull-up is not available to restore SCK to a logic HIGH state. This will cause the device to exit the internal serial clock mode on the next falling edge of \overline{CS} . This can be avoided by adding an external 10k pull-up resistor to the SCK pin or by never pulling \overline{CS} HIGH when SCK is LOW.

Whenever SCK is LOW, the LTC2421/LTC2422's internal pull-up at pin SCK is disabled. Normally, SCK is not externally driven if the device is in the internal SCK timing mode. However, certain applications may require an external driver on SCK. If this driver goes Hi-Z after outputting a LOW signal, the LTC2421/LTC2422's internal pull-up remains disabled. Hence, SCK remains LOW. On the next falling edge of \overline{CS} , the device is switched to the external SCK timing mode. By adding an external 10k pull-up resistor to SCK, this pin goes HIGH once the external driver goes Hi-Z. On the next \overline{CS} falling edge, the device will remain in the internal SCK timing mode.

APPLICATIONS INFORMATION

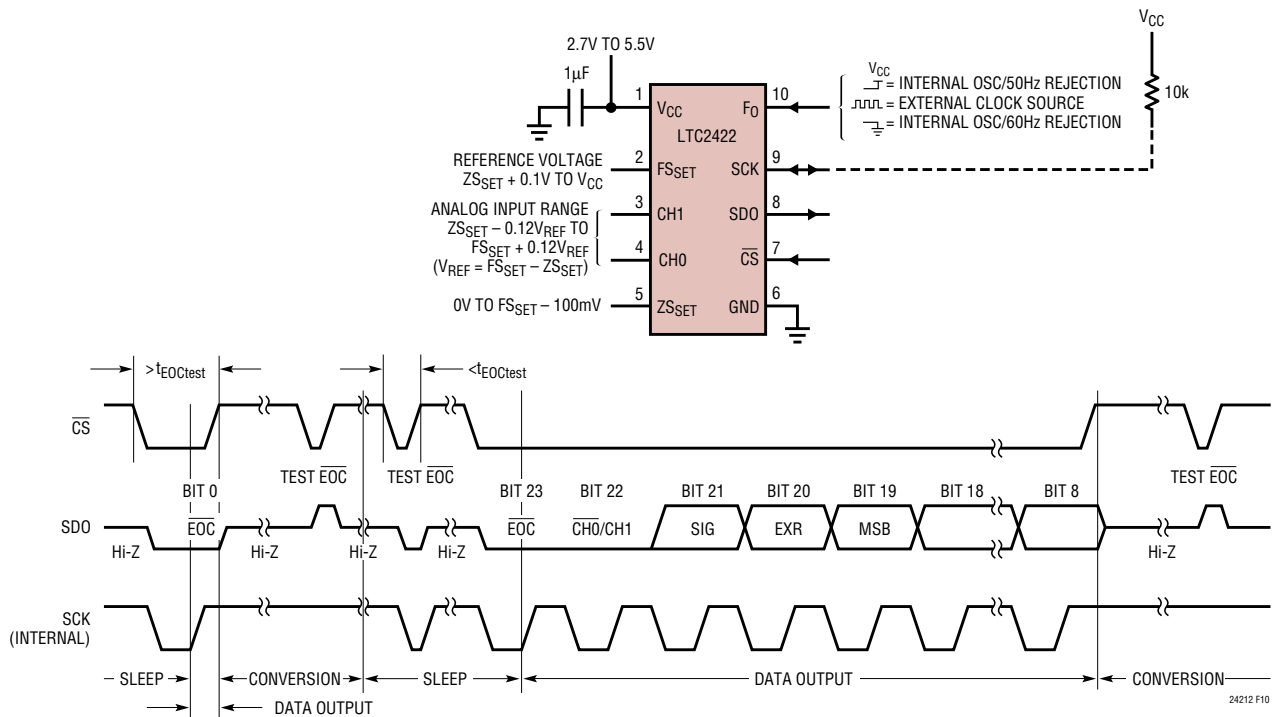


Figure 10. Internal Serial Clock, Reduced Data Output Length

A similar situation may occur during the sleep state when \overline{CS} is pulsed HIGH-LOW-HIGH in order to test the conversion status. If the device is in the sleep state ($\overline{EOC} = 0$), SCK will go LOW. Once \overline{CS} goes HIGH (within the time period defined above as $t_{EOCtest}$), the internal pull-up is activated. For a heavy capacitive load on the SCK pin, the internal pull-up may not be adequate to return SCK to a HIGH level before \overline{CS} goes low again. This is not a concern under normal conditions where \overline{CS} remains LOW after detecting $\overline{EOC} = 0$. This situation is easily overcome by adding an external 10k pull-up resistor to the SCK pin.

Internal Serial Clock, 2-Wire I/O, Continuous Conversion

This timing mode uses a 2-wire, all output (SCK and SDO) interface. The conversion result is shifted out of the device by an internally generated serial clock (SCK) signal, see Figure 11. \overline{CS} may be permanently tied to ground (Pin 6), simplifying the user interface or isolation barrier.

The internal serial clock mode is selected at the end of the power-on reset (POR) cycle. The POR cycle is concluded approximately 0.5ms after V_{CC} exceeds 2.2V. An internal

weak pull-up is active during the POR cycle; therefore, the internal serial clock timing mode is automatically selected if SCK is not externally driven LOW (if SCK is loaded such that the internal pull-up cannot pull the pin HIGH, the external SCK mode will be selected).

During the conversion, the SCK and the serial data output pin (SDO) are HIGH ($\overline{EOC} = 1$). Once the conversion is complete, SCK and SDO go LOW ($\overline{EOC} = 0$) indicating the conversion has finished and the device has entered the sleep state. The part remains in the sleep state a minimum amount of time (1/2 the internal SCK period) then immediately begins outputting data. The data output cycle begins on the first rising edge of SCK and ends after the 24th rising edge. Data is shifted out the SDO pin on each falling edge of SCK. The internally generated serial clock is output to the SCK pin. This signal may be used to shift the conversion result into external circuitry. \overline{EOC} can be latched on the first rising edge of SCK and the last bit of the conversion result can be latched on the 24th rising edge of SCK. After the 24th rising edge, SDO goes HIGH ($\overline{EOC} = 1$) indicating a new conversion is in progress. SCK remains HIGH during the conversion.

APPLICATIONS INFORMATION

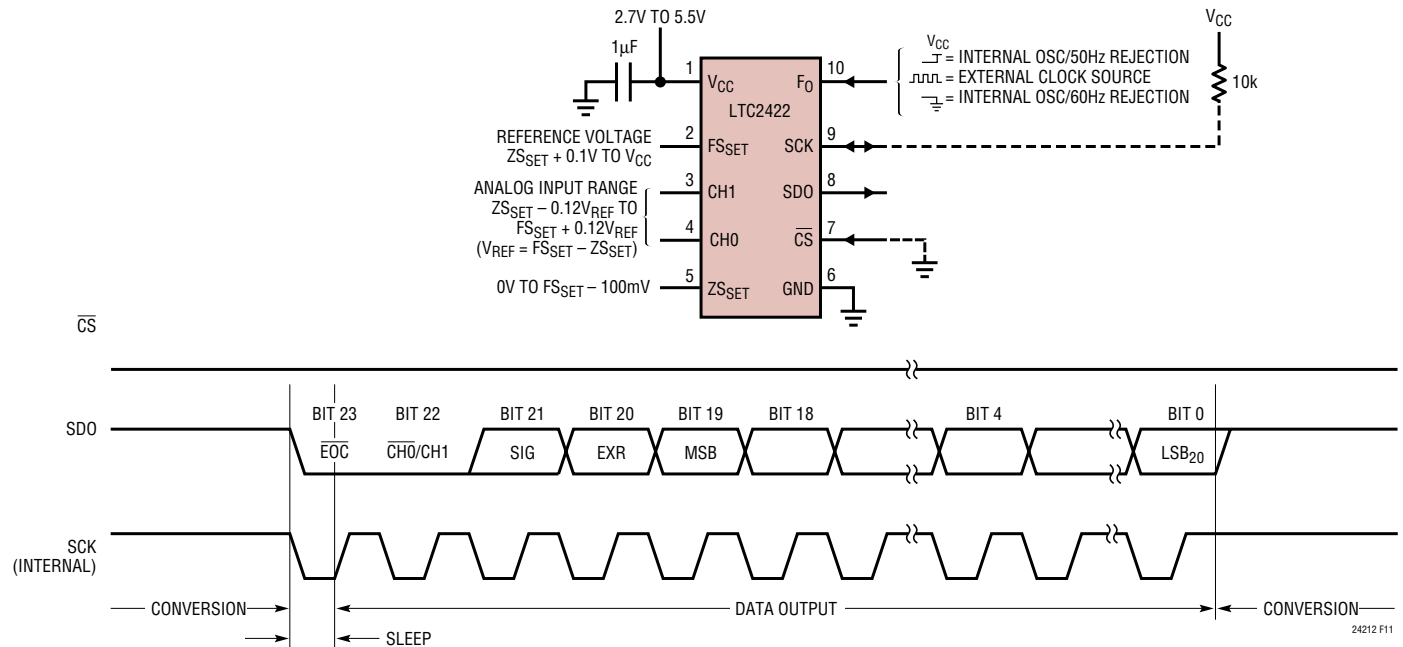


Figure 11. Internal Serial Clock, Continuous Operation

Internal Serial Clock, Autostart Conversion

This timing mode is identical to the internal serial clock, 2-wire I/O described above with one additional feature. Instead of grounding \overline{CS} , an external timing capacitor is tied to \overline{CS} .

While the conversion is in progress, the \overline{CS} pin is held HIGH by an internal weak pull-up. Once the conversion is complete, the device enters the low power sleep state and an internal 25nA current source begins discharging the capacitor tied to \overline{CS} , see Figure 12. The time the converter spends in the sleep state is determined by the value of the external timing capacitor, see Figures 13 and 14. Once the voltage at \overline{CS} falls below an internal threshold ($\approx 1.4V$), the device automatically begins outputting data. The data output cycle begins on the first rising edge of SCK and ends on the 24th rising edge. Data is shifted out the SDO pin on each falling edge of SCK. The internally generated serial clock is output to the SCK pin. This signal may be used to shift the conversion result into external circuitry. After the 24th rising edge, \overline{CS} is pulled HIGH and a new conversion is immediately started. This is useful in applications requiring periodic monitoring and ultralow power. Figure 15 shows the average supply current as a function of capacitance on \overline{CS} .

It should be noticed that the external capacitor discharge current is kept very small in order to decrease the converter power dissipation in the sleep state. In the autostart mode, the analog voltage on the \overline{CS} pin cannot be observed without disturbing the converter operation using a regular oscilloscope probe. When using this configuration, it is important to minimize the external leakage current at the \overline{CS} pin by using a low leakage external capacitor and properly cleaning the PCB surface.

The internal serial clock mode is selected every time the voltage on the \overline{CS} pin crosses an internal threshold voltage. An internal weak pull-up at the SCK pin is active while \overline{CS} is discharging; therefore, the internal serial clock timing mode is automatically selected if SCK is floating. It is important to ensure there are no external drivers pulling SCK LOW while \overline{CS} is discharging.

DIGITAL SIGNAL LEVELS

The LTC2421/LTC2422's digital interface is easy to use. Its digital inputs (F_0 , \overline{CS} and SCK in External SCK mode of operation) accept standard TTL/CMOS logic levels and the internal hysteresis receivers can tolerate edge rates as slow as 100µs. However, some considerations are required

APPLICATIONS INFORMATION

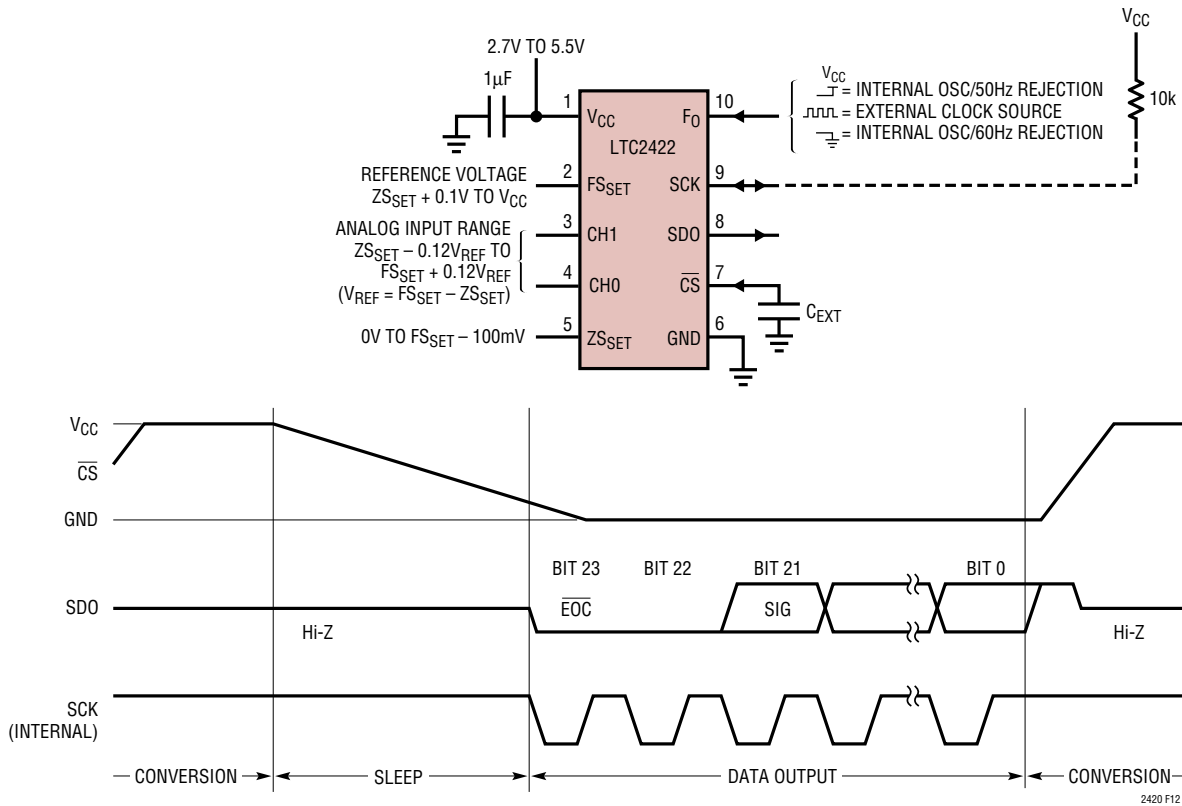


Figure 12. Internal Serial Clock, Autostart Operation

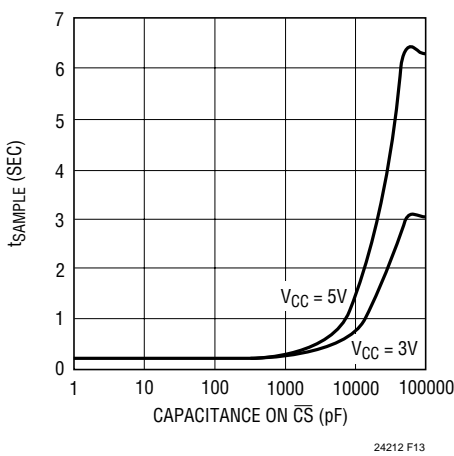


Figure 13. CS Capacitance vs t_{SAMPLE}

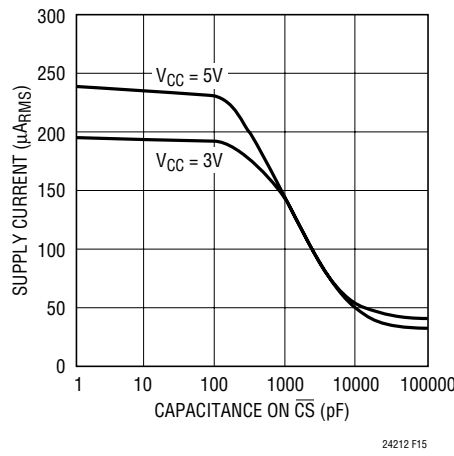


Figure 14. CS Capacitance vs Output Rate

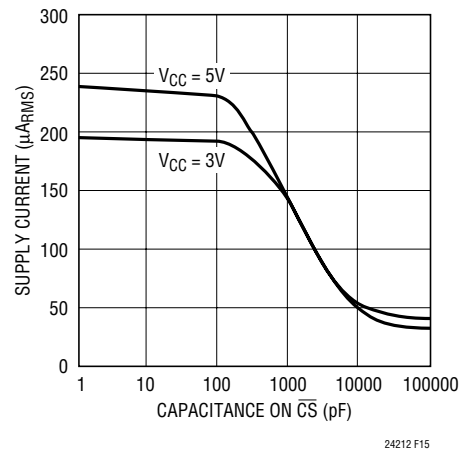


Figure 15. CS Capacitance vs Supply Current

to take advantage of exceptional accuracy and low supply current.

The digital output signals (SDO and SCK in Internal SCK mode of operation) are less of a concern because they are not generally active during the conversion state.

In order to preserve the LTC2421/LTC2422's accuracy, it is very important to minimize the ground path impedance which may appear in series with the input and/or reference signal and to reduce the current which may flow through this path. The GND pin should be connected to a low

APPLICATIONS INFORMATION

resistance ground plane through a minimum length trace. The use of multiple via holes is recommended to further reduce the connection resistance.

In an alternative configuration, the GND pin of the converter can be the single-point-ground in a single point grounding system. The input signal ground, the reference signal ground, the digital drivers ground (usually the digital ground) and the power supply ground (the analog ground) should be connected in a star configuration with the common point located as close to the GND pin as possible.

The power supply current during the conversion state should be kept to a minimum. This is achieved by restricting the number of digital signal transitions occurring during this period.

While a digital input signal is in the range $0.5V$ to $(V_{CC} - 0.5V)$, the CMOS input receiver draws additional current from the power supply. It should be noted that, when any one of the digital input signals (F_0 , \overline{CS} and SCK in External SCK mode of operation) is within this range, the LTC2421/LTC2422 power supply current may increase even if the signal in question is at a valid logic level. For micropower operation and in order to minimize the potential errors due to additional ground pin current, it is recommended to drive all digital input signals to full CMOS levels [$V_{IL} < 0.4V$ and $V_{OH} > (V_{CC} - 0.4V)$].

Severe ground pin current disturbances can also occur due to the undershoot of fast digital input signals. Undershoot and overshoot can occur because of the impedance mismatch at the converter pin when the transition time of an external control signal is less than twice the propagation delay from the driver to LTC2421/LTC2422. For reference, on a regular FR-4 board, signal propagation velocity is approximately 183ps/inch for internal traces and 170ps/inch for surface traces. Thus, a driver generating a control signal with a minimum transition time of 1ns must be connected to the converter pin through a trace shorter than 2.5 inches. This problem becomes particularly difficult when shared control lines are used and multiple reflections may occur. The solution is to carefully terminate all transmission lines close to their characteristic impedance.

Parallel termination near the LTC2421/LTC2422 pin will eliminate this problem but will increase the driver power dissipation. A series resistor between 27Ω and 56Ω placed near the driver or near the LTC2421/LTC2422 pin will also eliminate this problem without additional power dissipation. The actual resistor value depends upon the trace impedance and connection topology.

Driving the Input and Reference

The analog input and reference of the typical delta-sigma analog-to-digital converter are applied to a switched capacitor network. This network consists of capacitors switching between the analog input (V_{IN}), ZS_{SET} (Pin 5) and FS_{SET} (Pin 2). The result is small current spikes seen at both V_{IN} and V_{REF} . A simplified input equivalent circuit is shown in Figure 16.

The key to understanding the effects of this dynamic input current is based on a simple first order RC time constant model. Using the internal oscillator, the LTC2421/LTC2422's internal switched capacitor network is clocked at 153,600Hz corresponding to a $6.5\mu s$ sampling period. Fourteen time constants are required each time a capacitor is switched in order to achieve 1ppm settling accuracy.

Therefore, the equivalent time constant at V_{IN} and V_{REF} should be less than $6.5\mu s/14 = 460ns$ in order to achieve 1ppm accuracy.

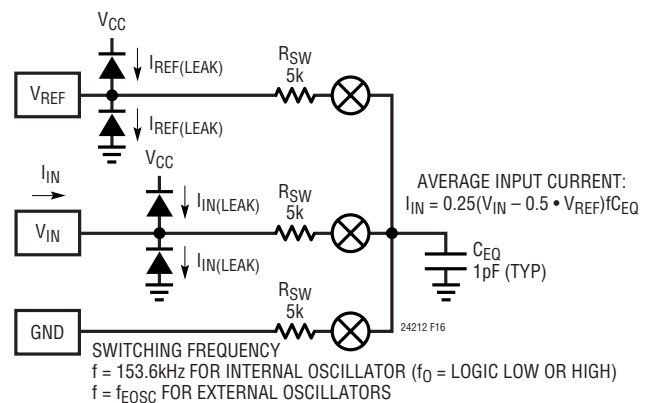


Figure 16. LTC2421/LTC2422 Equivalent Analog Input Circuit

APPLICATIONS INFORMATION

Input Current (V_{IN})

If complete settling occurs on the input, conversion results will be unaffected by the dynamic input current. If the settling is incomplete, it does not degrade the linearity performance of the device. It simply results in an offset/full-scale shift, see Figure 17. To simplify the analysis of input dynamic current, two separate cases are assumed: large capacitance at V_{IN} ($C_{IN} > 0.01\mu\text{F}$) and small capacitance at V_{IN} ($C_{IN} < 0.01\mu\text{F}$).

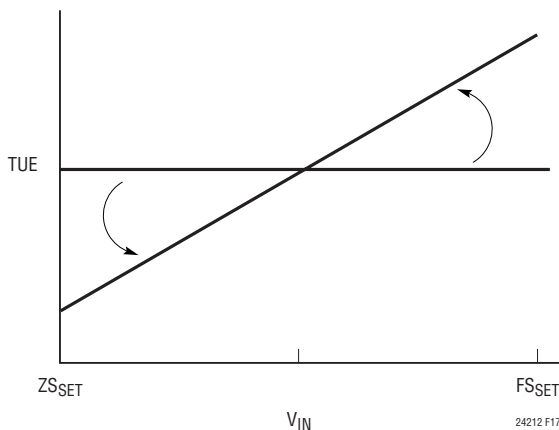


Figure 17. Offset/Full-Scale Shift

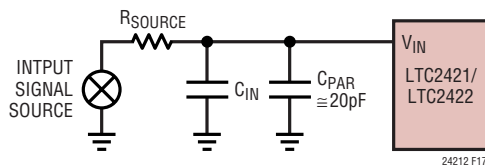


Figure 18. An RC Network at V_{IN}

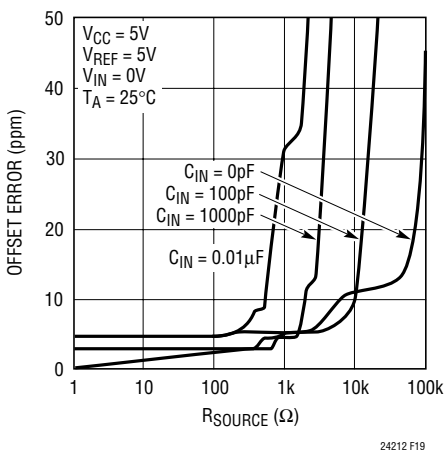


Figure 19. Offset vs R_{SOURCE} (Small C)

If the total capacitance at V_{IN} (see Figure 18) is small ($< 0.01\mu\text{F}$), relatively large external source resistances (up to 80k for 20pF parasitic capacitance) can be tolerated without any offset/full-scale error. Figures 19 and 20 show a family of offset and full-scale error curves for various small valued input capacitors ($C_{IN} < 0.01\mu\text{F}$) as a function of input source resistance.

For large input capacitor values ($C_{IN} > 0.01\mu\text{F}$), the input spikes are averaged by the capacitor into a DC current. The gain shift becomes a linear function of input source resistance independent of input capacitance, see Figures 21 and 22. The equivalent input impedance is 16.6MΩ. This results in $\pm 150\text{nA}$ of input dynamic current at the extreme values of V_{IN} ($V_{IN} = 0\text{V}$ and $V_{IN} = V_{REF}$, when $V_{REF} = 5\text{V}$). This corresponds to a 0.3ppm shift in offset and full-scale readings for every 10Ω of input source resistance.

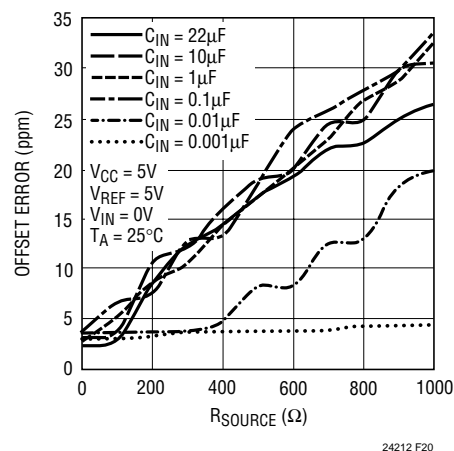


Figure 20. Offset vs R_{SOURCE} (Large C)

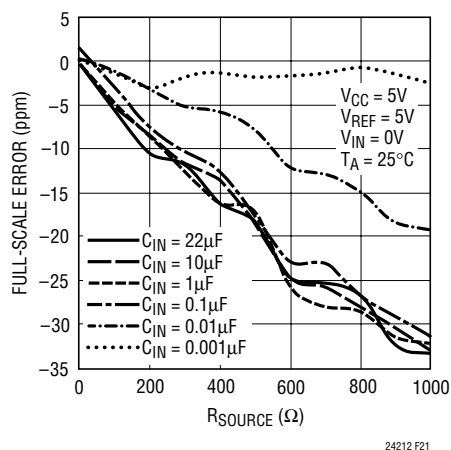


Figure 21. Full-Scale Error vs R_{SOURCE} (Large C)

APPLICATIONS INFORMATION

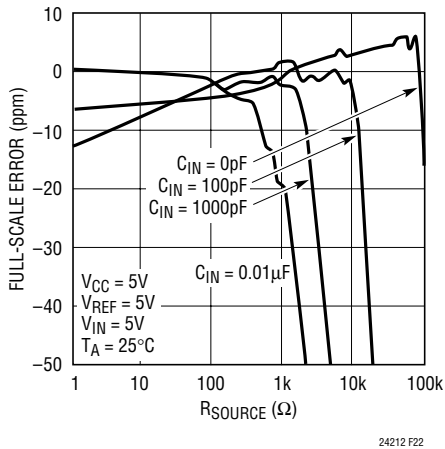


Figure 22. Full-Scale Error vs R_{SOURCE} (Small C)

In addition to the input current spikes, the input ESD protection diodes have a temperature dependent leakage current. This leakage current, nominally 1nA (± 100 nA max), results in a fixed offset shift of 10 μ V for a 10k source resistance.

The effect of input leakage current is evident for C_{IN} = 0 in Figures 19 and 22. A leakage current of 3nA results in a 150 μ V (30ppm) error for a 50k source resistance. As R_{SOURCE} gets larger, the switched capacitor input current begins to dominate.

Reference Current (V_{REF})

Similar to the analog input, the reference input has a dynamic input current. This current has negligible effect on the offset. However, the reference current at V_{IN} = V_{REF} is similar to the input current at full-scale. For large values of reference capacitance (C_{VREF} > 0.01 μ F), the full-scale error shift is 0.03ppm/ Ω of external reference resistance independent of the capacitance at V_{REF}, see Figure 23. If the capacitance tied to V_{REF} is small (C_{VREF} < 0.01 μ F), an input resistance of up to 80k (20pF parasitic capacitance at V_{REF}) may be tolerated, see Figure 24.

Unlike the analog input, the integral nonlinearity of the device can be degraded with excessive external RC time constants tied to the reference input. If the capacitance at node V_{REF} is small (C_{VREF} < 0.01 μ F), the reference input can tolerate large external resistances without reduction in INL, see Figure 25. If the external capacitance is large (C_{VREF} > 0.01 μ F), the linearity will be degraded by

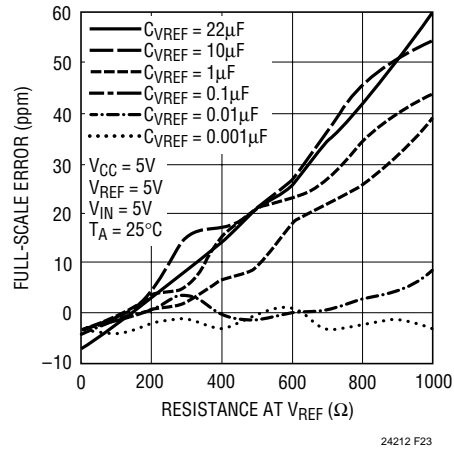


Figure 23. Full-Scale Error vs R_{VREF} (Large C)

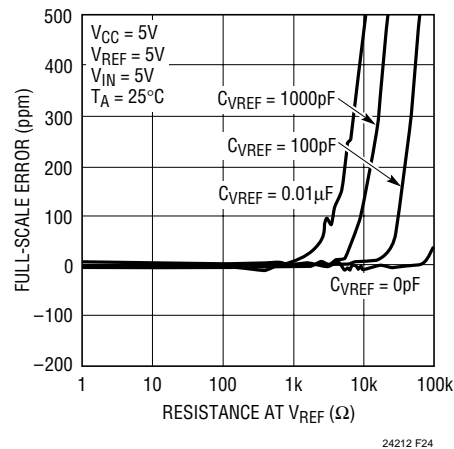


Figure 24. Full-Scale Error vs R_{VREF} (Small C)

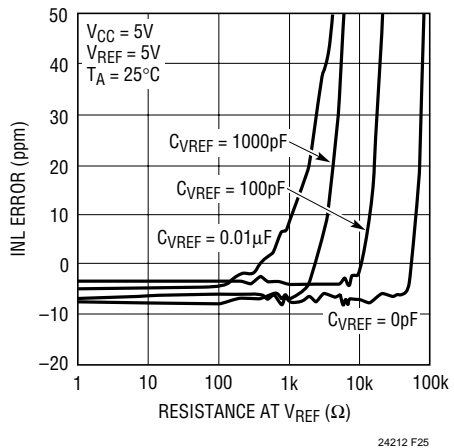


Figure 25. INL Error vs R_{VREF} (Small C)

APPLICATIONS INFORMATION

0.015ppm/Ω independent of capacitance at V_{REF} , see Figure 26.

In addition to the dynamic reference current, the V_{REF} ESD protection diodes have a temperature dependent leakage current. This leakage current, nominally 1nA (± 10 nA max), results in a fixed full-scale shift of 10μV for a 10k source resistance.

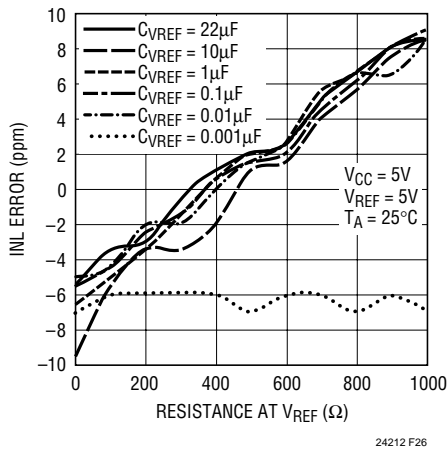


Figure 26. INL Error vs R_{VREF} (Large C)

ANTI_ALIASING

One of the advantages delta-sigma ADCs offer over conventional ADCs is on-chip digital filtering. Combined with a large oversampling ratio, the LTC2421/LTC2422 significantly simplify antialiasing filter requirements.

The digital filter provides very high rejection except at integer multiples of the modulator sampling frequency (f_s), see Figure 27. The modulator sampling frequency is $256 \cdot F_0$, where F_0 is the notch frequency (typically 50Hz or 60Hz). The bandwidth of signals not rejected by the digital filter is narrow ($\approx 0.2\%$) compared to the bandwidth of the frequencies rejected.

As a result of the oversampling ratio (256) and the digital filter, minimal (if any) antialias filtering is required in front of the LTC2421/LTC2422. If passive RC components are placed in front of the LTC2421/LTC2422, the input dynamic current should be considered (see Input Current section). In cases where large effective RC time constants are used, an external buffer amplifier may be required to minimize the effects of input dynamic current.

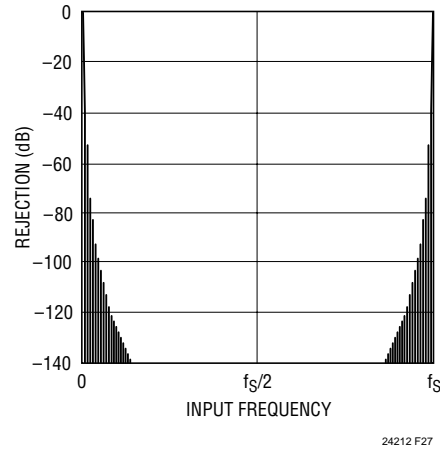


Figure 27. Sinc⁴ Filter Rejection

The modulator contained within the LTC2421/LTC2422 can handle large-signal level perturbations without saturating. Signal levels up to 40% of V_{REF} do not saturate the analog modulator. These signals are limited by the input ESD protection to 300mV below ground and 300mV above V_{CC} .

Simple Basic Program for Interfacing to the LTC2421/LTC2422

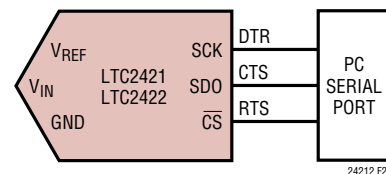


Figure 28

"TINY.BAS V1.0 Copyright (C) 2000 by J. A. Dutra and LTC, All rights reserved"

NOTE this program generates 32 SCK's for compatibility to 24-bit parts

'For use with most LTC24xy demo boards designed for the PC Com Port, QBASIC

'Outputs are chan%,signneg%,d2400 (magnitude), PPM, and v (volts)

CLS : ON ERROR GOTO 4970

cport = 1: REM INPUT "com port number "; cport

GOSUB 1900: timestart\$ = TIME\$

mcr% = port + 4: msr% = port + 6

COLOR 15: LOCATE 3, 1: PRINT "Hit any key to stop...";

FOR np = 1 TO 2000: OUT port, c0%: NEXT np: 'Power Via TxD

DO: '-----START LOOP here-----

APPLICATIONS INFORMATION

```

nummeas = nummeas + c1%
LOCATE 2, 2: PRINT "Scan#="; nummeas; " "; DATE$; " "; TIME$;
OUT mcr%, c0%: 'Initialize SCLK=0
k1 = km: d2400 = 0: chan% = c0%: signneg% = c0%
FOR bita% = 31 TO 0 STEP -1: v31 = 1
148 GOSUB 2200: v31 = v31 + 1
150 IF bita% = 31 THEN GOTO 152 ELSE 156
152 IF dfrm% = c0% THEN GOTO 156
155 IF v31 > 2 THEN LOCATE 16, 16: OUT port, c0%: PRINT "waiting for eoc":
IF v31 < 20000 THEN IF dfrm% = c1% THEN GOTO 148
IF dfrm% = 1 THEN LOCATE 17, 16: PRINT "Timed out on EOC,not fatal"
FOR bs = 1 TO 32: ' never got an eoc => clock it 32 times
GOSUB 2000: NEXT bs: GOTO 1800
156 LOCATE 16, 16: PRINT "          ": GOSUB 2000
IF bita% = 30 THEN 161 ELSE 171 ' CHANNEL BIT !!!!!!!!!!!!!!!
161 IF dfrm% = c1% THEN chan% = c1%: ch1% = c0%
IF dfrm% = c0% THEN chan% = c0%: ch1% = ch1% + c1%
IF ch1% > c4% THEN GOSUB 3700: ch1% = c1%
171 IF bita% = 29 THEN IF dfrm% = c0% THEN signneg% = c1%: ' NEG
IF bita% <= 28 THEN d2400 = d2400 + (dfrm% * k1): k1 = k1 / c2%
NEXT bita%: k1 = 1: digin% = c0%: 'MATH BELOW
1600 PPM = (d2400 / km) * kn: rw% = 6: hz% = (chan% * 20) + 1
IF signneg% = c1% THEN 1700 ELSE 1705
1700 IF d2400 <> c0% THEN PPM = (PPM - 2000000)
1705 LOCATE rw%, hz%: PRINT PPM; " "; : LOCATE rw%, hz% + 11:
PRINT "PPM";
LOCATE rw% + 1, (chan% * 20) + 1: GOSUB 3800: 'THIS WORKS!
1800 LOOP WHILE INKEY$ = "": REM Works with "DO"
GOTO 5000 'rem END!!----- Subs follow !!-----!!!
1900 'ESSENTIAL INITIALIZATIONS
REM set some constants, since they can be accessed much faster
LET c128% = 128: c64% = 64: c32% = 32: c16% = 16: c8% = 8: c4% = 4
LET c3% = 3: c2% = 2: c1% = 1: c0% = 0: km = (2 ^ 30) - 1: kn = 1000000
IF cport = 2 THEN OPEN "COM2:300,N,8,1,CD0,CS0,DS0,OP0,RS" FOR
RANDOM AS #1: port = (&H2F8)
IF cport = 1 THEN OPEN "COM1:300,N,8,1,CD0,CS0,DS0,OP0,RS" FOR
RANDOM AS #1: port = (&H3F8)

```

```

LOCATE 5, 21: PRINT "CHANNEL 1": LOCATE 5, 2: PRINT "CHANNEL 0"
FOR n% = port TO port + 7: OUT n%, 0: NEXT n%: 'Init UART regs
CLOSE #1: DEF SEG = 0: RETURN '-----
2000 'SUB read MSR AND RETURN data dfrm% INTERFACE
x3% = INP(msr%) AND c16%: OUT mcr%, c1%
GOSUB 3000: OUT mcr%, c0%
2040 IF x3% = c16% THEN dfrm% = c1% ELSE dfrm% = c0%
OUT mcr%, c0%: RETURN '-----
2200 'SUB READ THE DATA BIT dfrm% does NOT change sclock
x3% = INP(msr%) AND C16%: GOTO 2040: RETURN'-----
3000 REM delay sub !!!!!!!!!!!
FOR n8% = 0 TO 1: OUT port, c0%: NEXT n8%: RETURN: '-----
3700 FOR n = 6 TO 9: LOCATE n, 20
PRINT "          ": NEXT n: RETURN'-----
3800 'SUB to convert PPM into Volts and print it
v = PPM * (5 / 1000000): v1 = v * 1000000: hz% = (chan% * 20) + 12
IF v <= .1 THEN PRINT v1; " "; : LOCATE rw% + 1, hz%: PRINT "uV "
IF v > .1 THEN PRINT v; " "; : LOCATE rw% + 1, hz%: PRINT "Volts";
RETURN'-----
4970 PRINT "ERROR !!!!!!!!!!!!!!!"
5000 PRINT : LOCATE 18, 1: PRINT "Ending!!": PRINT "Hit any key to exit."
PRINT "Start ="; timestart$; " End = "; TIME$; " # samples ="; nummeas
CLOSE #1: END

```

Single Ended Half-Bridge Digitizer with Reference and Ground Sensing

Sensors convert real world phenomena (temperature, pressure, gas levels, etc.) into a voltage. Typically, this voltage is generated by passing an excitation current through the sensor. The wires connecting the sensor to the ADC form parasitic resistors R_{P1} and R_{P2} . The excitation current also flows through parasitic resistors R_{P1} and R_{P2} , as shown in Figure 29. The voltage drop across these parasitic resistors leads to systematic offset and full-scale errors.

In order to eliminate the errors associated with these parasitic resistors, the LTC2421/LTC2422 include a full-scale set input (FS_{SET}) and a zero-scale set input (ZS_{SET}). As shown in Figure 30, the FS_{SET} pin acts as a zero current full-scale sense input. Errors due to parasitic

APPLICATIONS INFORMATION

resistance R_{P1} in series with the half-bridge sensor are removed by the FS_{SET} input to the ADC. The absolute full-scale output of the ADC (data out = $FFFF_{HEX}$) will occur at $V_{IN} = V_B = FS_{SET}$, see Figure 31. Similarly, the offset errors due to R_{P2} are removed by the ground sense input ZS_{SET} . The absolute zero output of the ADC (data out = 0000_{HEX}) occurs at $V_{IN} = V_A = ZS_{SET}$. Parasitic resistors R_{P3} to R_{P5} have negligible errors due to the 1nA (typ) leakage current at pins FS_{SET} , ZS_{SET} and V_{IN} . The wide dynamic input range ($-300mV$ to $5.3V$) and low noise (1.2ppm RMS) enable the LTC2421 or the LTC2422 to directly digitize the output of the bridge sensor.

The LTC2422 is ideal for applications requiring continuous monitoring of two input sensors. As shown in Figure 32, the LTC2422 can monitor both a thermocouple temperature probe and a cold junction temperature sensor. Absolute temperature measurements can be performed with a variety of thermocouples using digital cold junction compensation.

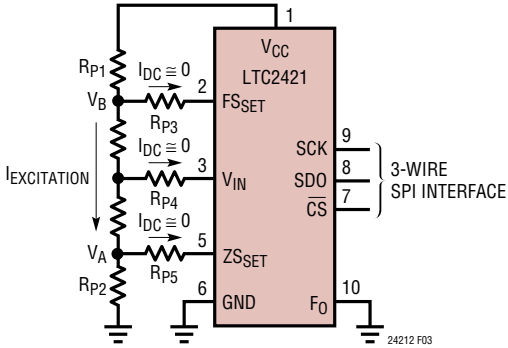


Figure 30. Half-Bridge Digitizer with Zero-Scale and Full-Scale Sense

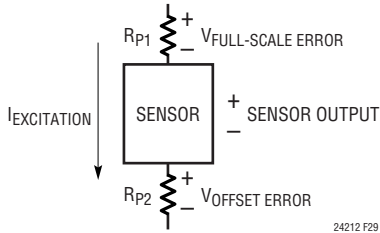


Figure 29. Errors Due to Excitation Currents

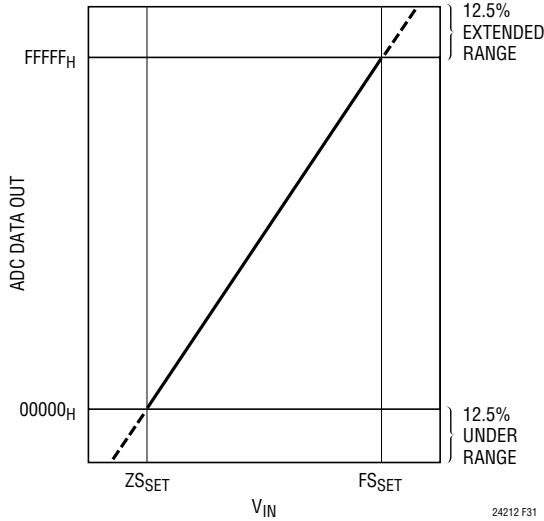


Figure 31. Transfer Curve with Zero-Scale and Full-Scale Set

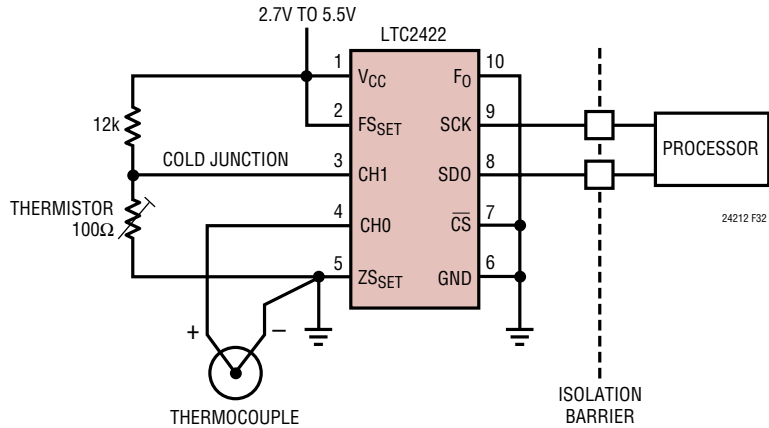


Figure 32. Isolated Temperature Measurement

APPLICATIONS INFORMATION

The selection between CH0 and CH1 is automatic. Initially, after power-up, a conversion is performed on CH0. For each subsequent conversion, the input channel selection is alternated. Embedded within the serial data output is a status bit indicating which channel corresponds to the conversion result. If the conversion was performed on CH0, this bit (Bit 22) is LOW and is HIGH if the conversion was performed on CH1 (see Figure 33).

There are no extra control or status pins required to perform the alternating 2-channel measurements. The LTC2422 only requires two digital signals (SCK and SDO). This simplification is ideal for isolated temperature measurements or systems where minimal control signals are available.

Pseudo Differential Applications

Generally, designers choose fully differential topologies for several reasons. First, the interface to a 4- or 6-wire bridge is simple (it is a differential output). Second, they require good rejection of line frequency noise. Third, they typically look at a small differential signal sitting on a large common mode voltage; they need accurate measurements of the differential signal independent of the common mode input voltage. Many applications currently using fully differential analog-to-digital converters for any of the above reasons may migrate to a pseudo differential conversion using the LTC2422.

Direct Connection to a Full Bridge

The LTC2422 interfaces directly to a 4- or 6-wire bridge, as shown in Figure 34. The LTC2422 includes a FS_{SET} and a ZS_{SET} for sensing the excitation voltage directly across the bridge. This eliminates errors due to excitation currents flowing through parasitic resistors. The LTC2422 also includes two single ended input channels which can tie directly to the differential output of the bridge. The two

conversion results may be digitally subtracted yielding the differential result.

The LTC2422's single ended rejection of line frequencies ($\pm 2\%$) and harmonics is better than 110dB. Since the device performs two independent single ended conversions each with >110dB rejection, the overall common mode and differential rejection is much better than the 80dB rejection typically found in other differential input delta-sigma converters.

In addition to excellent rejection of line frequency noise, the LTC2422 also exhibits excellent single ended noise rejection over a wide range of frequencies due to its 4th order sinc filter. Each single ended conversion independently rejects high frequency noise (>60Hz). Care must be taken to insure noise at frequencies below 15Hz and at multiples of the ADC sample rate (15,360Hz) are not present. For this application, it is recommended the LTC2422 is placed in close proximity to the bridge sensor in order to reduce the noise injected into the ADC input. By performing three successive conversions (CH0-CH1-CH0), the drift and low frequency noise can be measured and compensated for digitally.

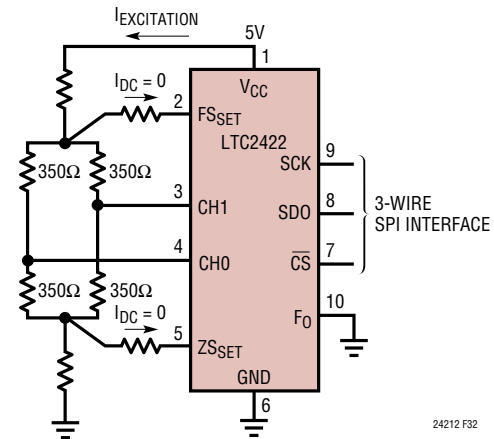


Figure 34. Pseudo Differential Strain Gauge Application

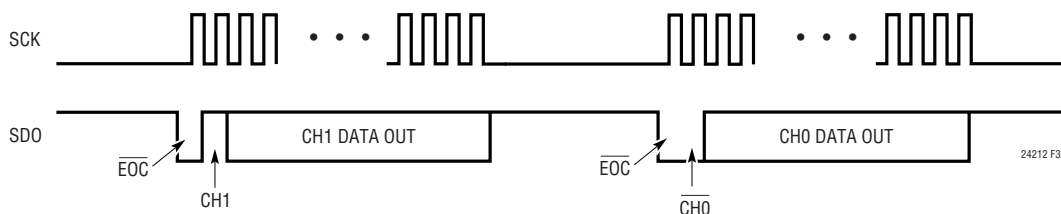


Figure 33. Embedded Selected Channel Indicator

APPLICATIONS INFORMATION

The absolute accuracy (less than 10 ppm total error) of the LTC2422 enables extremely accurate measurement of small signals sitting on large voltages. Each of the two pseudo differential measurements performed by the LTC2422 is absolutely accurate independent of the common mode voltage output from the bridge. The pseudo differential result obtained from digitally subtracting the two single ended conversion results is accurate to within the noise level of the device ($3\mu\text{V}_{\text{RMS}}$) times the square root of 2, independent of the common mode input voltage.

Typically, a bridge sensor outputs 2mV/V full scale. With a 5V excitation, this translates to a full-scale output of 10mV. Divided by the RMS noise of $8.4\mu\text{V}$ ($= 6\mu\text{V} \cdot 1.414$), this circuit yields 1190 counts with no averaging or amplification. If more counts are required, several conversions may be averaged (the number of effective counts is increased by a factor of square root of 2 for each doubling of averages).

An RTD Temperature Digitizer

RTDs used in remote temperature measurements often have long lead lengths between the ADC and RTD sensor. These long lead lengths lead to voltage drops due to excitation current in the interconnect to the RTD. This voltage drop can be measured and digitally removed using the LTC2422 (see Figure 35).

The excitation current (typically $200\mu\text{A}$) flows from the ADC through a long lead length to the remote temperature sensor (RTD). This current is applied to the RTD, whose

resistance changes as a function of temperature (100Ω to 400Ω for 0°C to 800°C). The same excitation current flows back to the ADC ground and generates another voltage drop across the return leads. In order to get an accurate measurement of the temperature, these voltage drops must be measured and removed from the conversion result. Assuming the resistance is approximately the same for the forward and return paths ($R_1 = R_2$), the auxiliary channel on the LTC2422 can measure this drop. These errors are then removed with simple digital correction.

The result of the first conversion on CH0 corresponds to an input voltage of $V_{\text{RTD}} + R_1 \cdot I_{\text{EXCITATION}}$. The result of the second conversion (CH1) is $-R_1 \cdot I_{\text{EXCITATION}}$. Note, the LTC2422's input range is not limited to the supply rails, it has underrange capabilities. The device's input range is -300mV to $V_{\text{REF}} + 300\text{mV}$. Adding the two conversion results together, the voltage drop across the RTD's leads are cancelled and the final result is V_{RTD} .

An Isolated, 20-Bit Data Acquisition System

The LTC1535 is useful for signal isolation. Figure 36 shows a fully isolated, 20-bit differential input A/D converter implemented with the LTC1535 and LTC2422. Power on the isolated side is regulated by an LT1761-5.0 low noise, low dropout micropower regulator. Its output is suitable for driving bridge circuits and for ratiometric applications.

During power-up, the LTC2422 becomes active at $V_{\text{CC}} = 2.3\text{V}$, while the isolated side of the LTC1535 must wait for $V_{\text{CC}2}$ to reach its undervoltage lockout threshold of 4.2V.

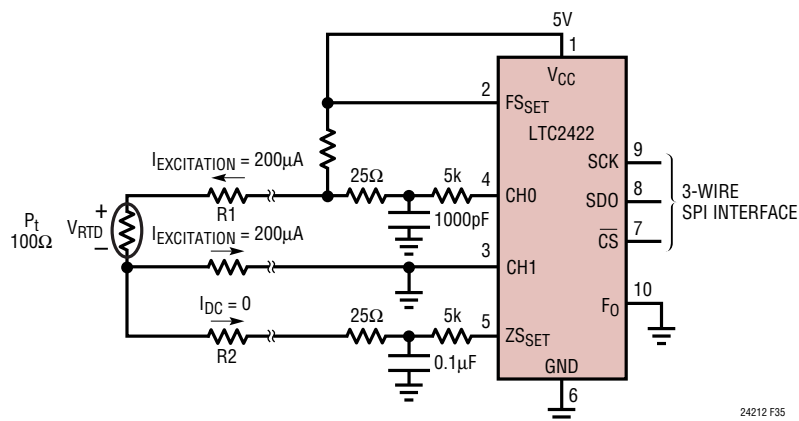


Figure 35. RTD Remote Temperature Measurement

APPLICATIONS INFORMATION

Below 4.2V, the LTC1535's driver outputs Y and Z are in a high impedance state, allowing the 1kΩ pull-down to define the logic state at SCK. When the LTC2422 first becomes active, it samples SCK; a logic "0" provided by the 1kΩ pull-down invokes the external serial clock mode. In this mode, the LTC2422 is controlled by a single clock line from the nonisolated side of the barrier, through the LTC1535's driver output Y. The entire power-up sequence,

from the time power is applied to V_{CC1} until the LT1761's output has reached 5V, is approximately 1ms.

Data returns to the nonisolated side through the LTC1535's receiver at RO. An internal divider on receiver input B sets a logic threshold of approximately 3.4V at input A, facilitating communications with the LTC2422's SDO output without the need for any external components.

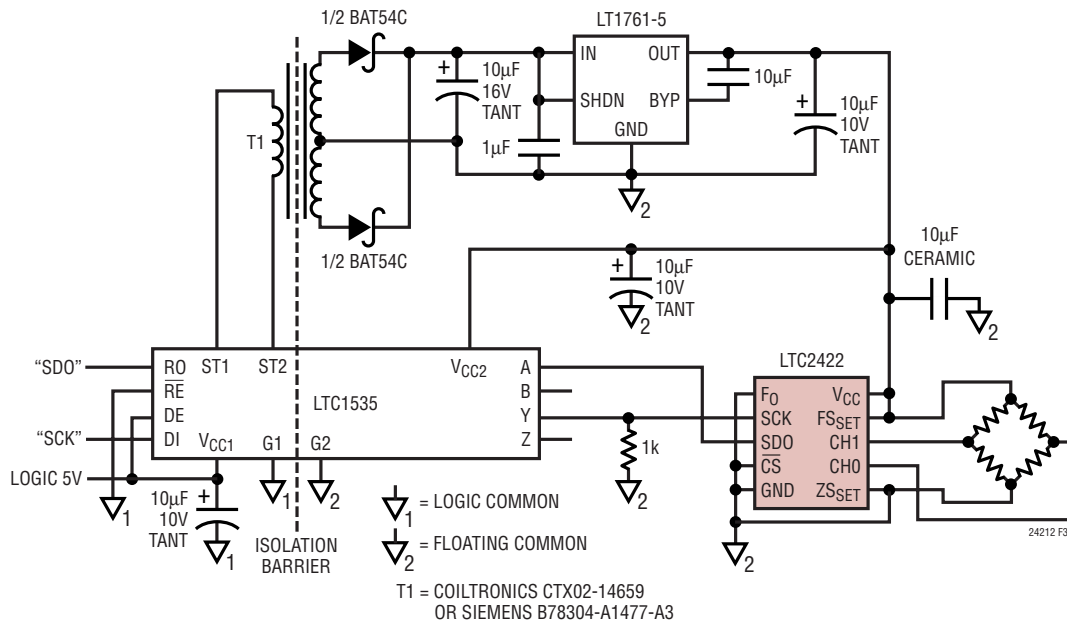
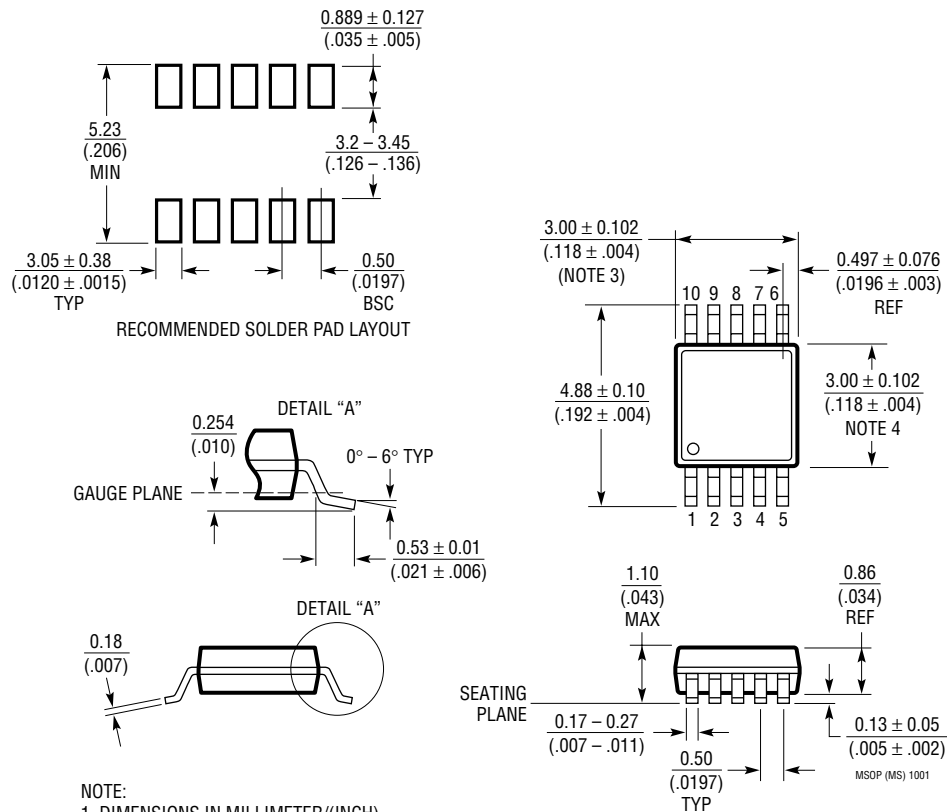


Figure 36. Complete, Isolated 20-Bit Data Acquisition System

PACKAGE INFORMATION

MS Package 10-Lead Plastic MSOP (Reference LTC DWG # 05-08-1661)



NOTE:

1. DIMENSIONS IN MILLIMETER/(INCH)
2. DRAWING NOT TO SCALE
3. DIMENSION DOES NOT INCLUDE MOLD FLASH, PROTRUSIONS OR GATE BURRS.
MOLD FLASH, PROTRUSIONS OR GATE BURRS SHALL NOT EXCEED 0.152 mm ($.006$ ") PER SIDE
4. DIMENSION DOES NOT INCLUDE INTERLEAD FLASH OR PROTRUSIONS.
INTERLEAD FLASH OR PROTRUSIONS SHALL NOT EXCEED 0.152 mm ($.006$ ") PER SIDE
5. LEAD COPLANARITY (BOTTOM OF LEADS AFTER FORMING) SHALL BE 0.102 mm ($.004$ ") MAX

TYPICAL APPLICATION

Figure 37 shows the block diagram of a demo circuit (contact LTC for a demonstration) of a multichannel isolated temperature measurement system. This circuit decodes an address to select which LTC2422 receives a 24-bit burst of SCK signal. All devices independently

convert either the thermal couple output or the thermistor cold junction output. After each conversion, the devices enter their sleep state and wait for the SCK signal before clocking out data and beginning the next conversion.

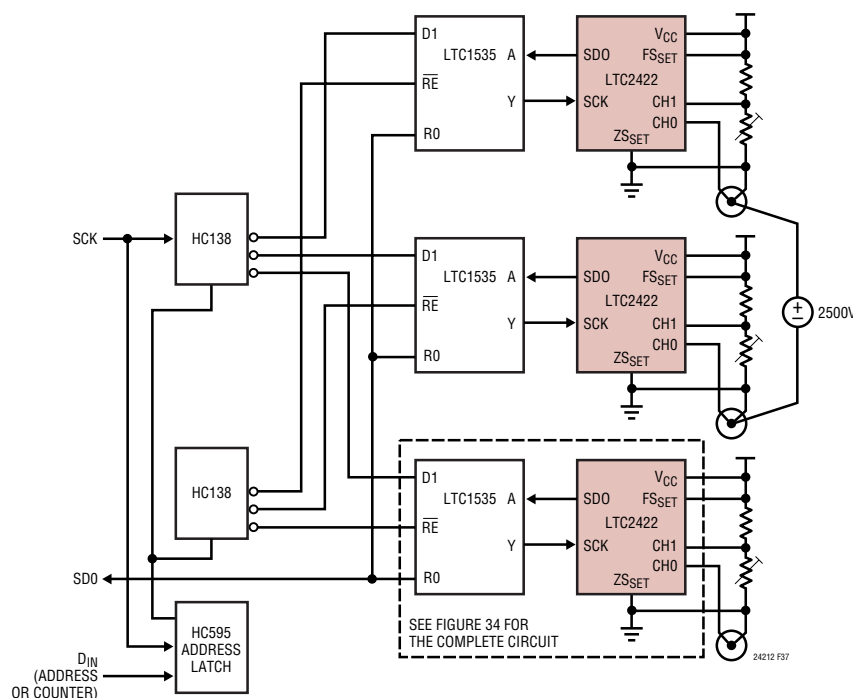


Figure 37. Multichannel Isolated Temperature Measurement System

RELATED PARTS

PART NUMBER	DESCRIPTION	COMMENTS
LT1019	Precision Bandgap Reference, 2.5V, 5V	3ppm/°C Drift, 0.05% Max
LTC1050	Precision Chopper Stabilized Op Amp	No External Components 5μV Offset, 1.6μV _{p-p} Noise
LT1236A-5	Precision Bandgap Reference, 5V	0.05% Max, 5ppm/°C Drift
LTC1391	8-Channel Multiplexer	Low R _{ON} : 45Ω, Low Charge Injection Serial Interface
LT1461-2.5	Precision Micropower Voltage Reference	50μA Supply Current, 3ppm/°C Drift
LTC1535	Isolated RS485 Transceiver	2500V _{RMS} Isolation
LTC2400	24-Bit, No Latency ΔΣ ADC in SO-8	4ppm INL, 10ppm Total Unadjusted Error, 200μA
LTC2401/LTC2402	1-/2-Channel, 24-Bit, No Latency ΔΣ ADC in MSOP	0.6ppm Noise, 4ppm INL, Pin Compatible with the LTC2421/LTC2422
LTC2404/LTC2408	4-/8-Channel, 24-Bit, No Latency ΔΣ ADC	4ppm INL, 10ppm Total Unadjusted Error, 200μA
LTC2413	24-Bit, No Latency ΔΣ ADC	Simultaneous 50Hz and 60Hz Rejection, 0.16ppm Noise
LTC2415	24-Bit, Fully Differential, No Latency ΔΣ ADC	15Hz Output Rate at 60Hz Rejection, Pin Compatible with the LTC2410
LTC2420	20-Bit, No Latency ΔΣ ADC in SO-8	1.2ppm Noise, 8ppm INL, Pin Compatible with LTC2400
LTC2424/LTC2428	4-/8-Channel, 20-Bit, No Latency ΔΣ ADC	1.2ppm Noise, 8ppm INL, Pin Compatible with LTC2404/LTC2408
LTC2430	20-Bit, Fully Differential, No Latency ΔΣ ADC in SSOP-16	0.16ppm Noise, 2ppm INL, 10ppm Total Unadjusted Error, 200μA
LTC2431	24-Bit, Fully Differential, No Latency ΔΣ ADC in MS10	0.29ppm Noise, 4ppm INL, 10ppm Total Unadjusted Error, 200μA

24212f