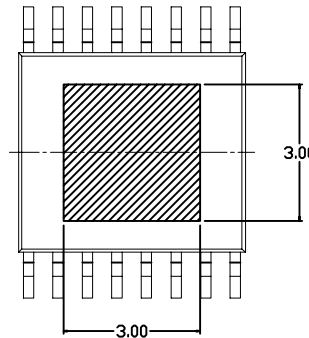
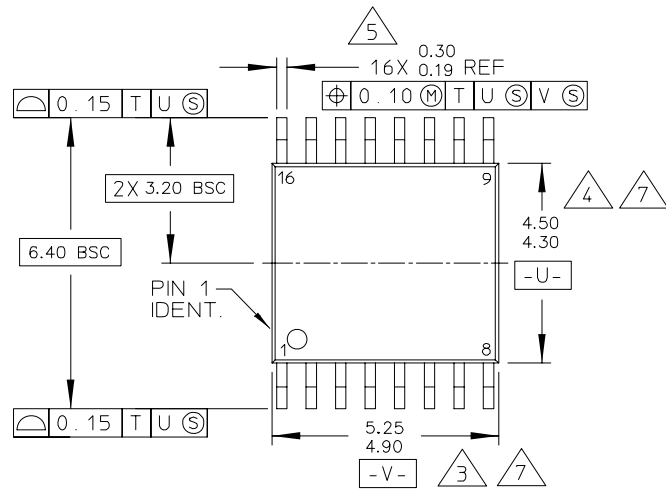
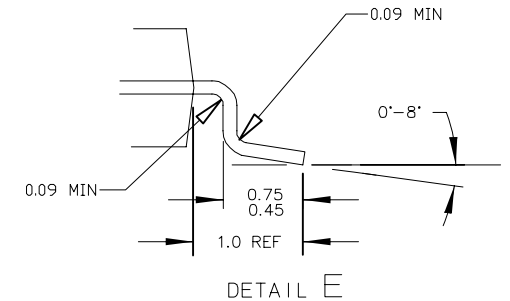
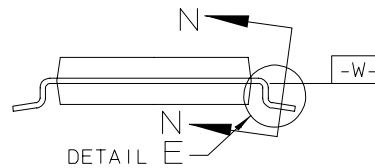
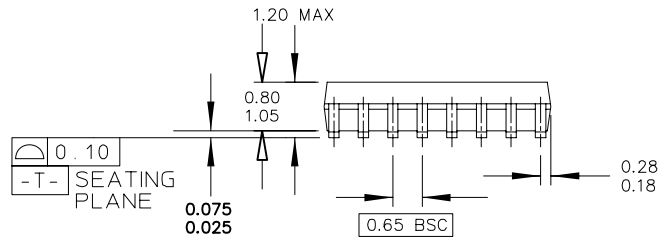
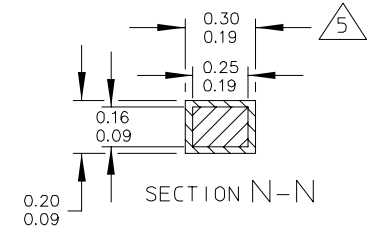


REVISIONS		
LTR	DESCRIPTION	DATE
E	REDRAWN ADDED PACKAGE DIMENSIONS PER ECO 8228	02/12/08



BOTTOM VIEW




TOLERANCES UNIT mm
 X.XX ±0.050
 X.XXX ±0.025
 ANGULAR ±1°

- NOTES:
- CONTROLLING DIMENSION: MILLIMETER
 - DIMENSIONS AND TOLERANCES PER ANSI Y14.5M-1982.
 - DIMENSION DOES NOT INCLUDE MOLD FLASH, PROTRUSIONS OR GATE BURRS. MOLD FLASH OR GATE BURRS SHALL NOT EXCEED 0.15 PER SIDE
 - DIMENSION DOES NOT INCLUDE INTERLEAD FLASH OR PROTRUSION INTERLEAD FLASH OR PROTRUSION SHALL NOT EXCEED 0.25 PER SIDE.
 - DIMENSION DOES NOT INCLUDE DAMBAR PROTRUSION. ALLOWABLE DAMBAR PROTRUSION SHALL BE 0.08 TOTAL IN EXCESS OF THE DIMENSION AT MAXIMUM MATERIAL CONDITION.
 - TERMINAL NUMBERS ARE SHOWN FOR REFERENCE ONLY.
 - DIMENSIONS ARE TO BE DETERMINED AT DATUM PLANE

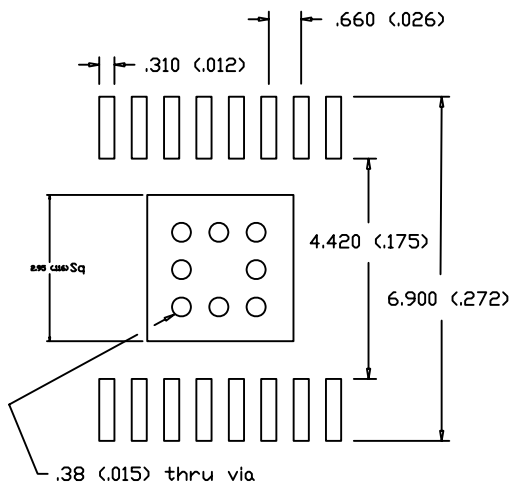
APPROVALS		DATE
DRAWN BY	D. SCHEEL	FEB 12,08
PROCESS ENG		
DESIGN ENG		
QUALITY		
APPROVAL		

PROPRIETARY STATEMENT
 This is a confidential document. This document and the information herein is the property of RFMD and is issued in strict confidence. Do not reproduce it, copy it, or give it to a third party without express permission from RFMD. E-mail DocumentControl@rfmd.com for more information.

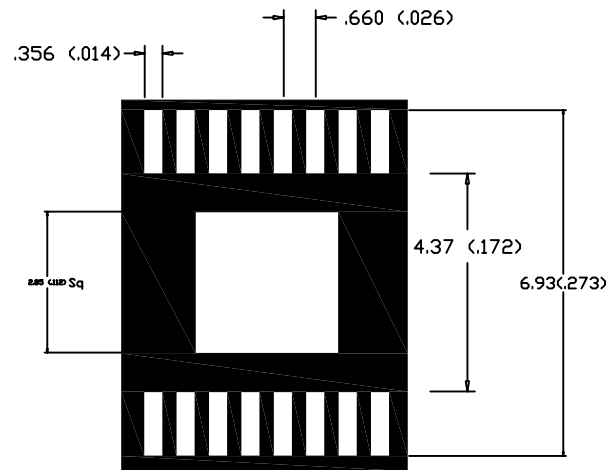


7628 Thorndike Road, Greensboro, NC 27409

TITLE			
TSSOP 16 EPAD PACKAGE TYPE XX16			
SIZE	FSCM NO.	DWG NO.	REV.
A	05375	MPO101959	E
SCALE:	NONE	DO NOT SCALE DWG	SHEET 1 OF 2



- Generic Land Pattern -



- Generic Solder Mask Opening -

- Do Not Scale Hard Copy -

PROPRIETARY STATEMENT This is a confidential document. This document and the information herein is the property of RFMD and is issued in strict confidence. Do not reproduce it, copy it, or give it to a third party without express permission from RFMD. E-mail DocumentControl@rfmd.com for more information.	SIZE	FSCM NO.	DWG NO.	REV.
	A	05375	MPO101959	E
SCALE: NONE		DO NOT SCALE DWG		SHEET 2 OF 2