

RFMD®

SmartPhone Product Portfolio

RFRD6460 3G Multimode, Multi-band PowerSmart® Power Platform

RFMD's RFRD6460 3G multi-band, multimode **PowerSmart®** Power Platform is targeted at smartphones and mobile internet devices (MIDs) by providing extensive flexibility and customization, "user experience" focused performance with real-time battery life optimization, and a dramatically smaller front end solution size—all while accelerating an original equipment manufacturer's (OEM's) time to market.

At the heart of the RFRD6460 is the industry's first RF configurable power core, which merges RFMD's industry-leading VSWR-tolerant, quadrature power amplifier technology with RFMD's patented power management technology into a new product category. Although comprised of two separate placements, the RF6260 and the RF6560, these components operate seamlessly as a highly RF configurable power core. The RF configurable power core replaces all traditionally used power amplifiers and power amplifier DC-DC converters used in 3G front ends by covering current and foreseeable modulation schemes as well as having broad, scalable band coverage that enables up to 5 bands of WCDMA/HSPA+ operation and/or other linear modes of operation (CDMA, TD-SCDMA, LTE, WiMAX). Additionally, the power core provides performance and battery life customization without hardware changes along with the ability to maximize efficiency across power levels, data rates, and during non-ideal load conditions (VSWR).

RFMD's revolutionary **PowerSmart** Power Platform is the first of its kind to provide OEMs the ability to build a truly global and cost-effective smartphone platform. **PowerSmart** meets the widely varying needs of mobile operators and, most importantly, provides the capability to efficiently move as the user moves—between voice and data, between mobile operators, and between regions of the world. With the globalization of cellular communications, there is now a global power platform.

PowerSmart is smart power for smartphones.

Order RFMD products online at www.rfmd.com/rfmdExpress.
For sales or technical support, contact your authorized local sales representative (see www.rfmd.com/globalsales).
Register to receive RFMD's latest product releases with our Email Component Alerts at www.rfmd.com/emailalert.
7628 Thorndike Rd., Greensboro, NC 27409-9421 USA • Phone 336.664.1233

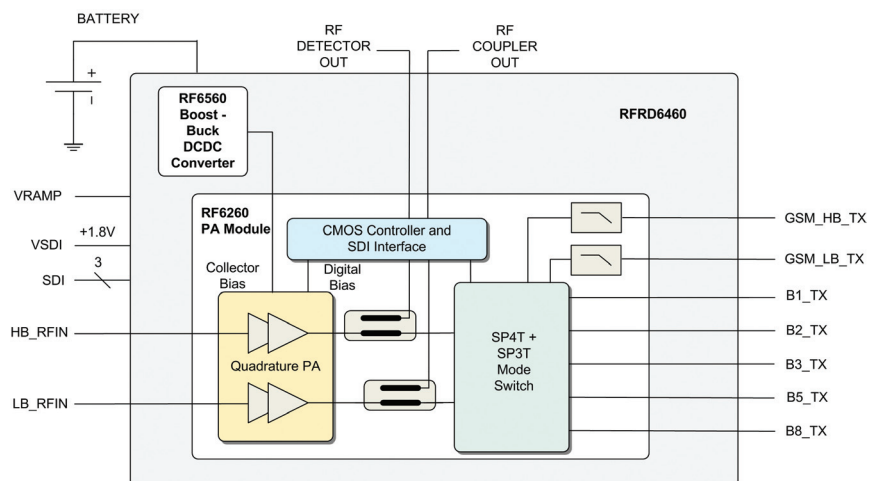
 This product complies with RFMD's green packaging standards.

RFMD® and PowerSmart® are trademarks of RFMD, LLC. All other trade names, trademarks and registered trademarks are the property of their respective owners. ©2011

CPG.RFRD6460.1011.100

RFRD6460

- RF configurable power core: RF6260 coupled with RF6560
- SDI Interface for ease of programming and control
- WLAN, *Bluetooth*®, GPS coexistence
- Quad-band GSM/EDGE
- Scalable band coverage: Up to 5 3G/4G bands (penta-band), 2 LB, 3 HB (Bands 1-6 and 8-10)
- Modes: GSM, EDGE, and WCDMA/HSPA+ with capability for other linear modulations (LTE, TD-SCDMA, CDMA)



www.BDTIC.com/RFMD

RFMD 

Mobility. Connectivity. Energy.™