



SDIP32/SO28 Connection Kit for ST7MDT10-DVP3

DATA BRIEF

The **SDIP32/SO28 Connection Kit** (ST7 MDT10-32/DVP) provides the hardware you need to connect your ST7MDT10-DVP3 emulator to your application when debugging applications for ST7 microcontrollers in SDIP32 and SO28 packages.

Connection Kit Contents

- One additional **26-pin flat cable** required for connection between emulator and the adapter.
- **SDIP32 adapter** (DB585) – Allows the connection of your ST7MDT10-DVP3 emulator to your application board in place of your ST7 in SDIP32 package.
- **SDIP32-SO28 device adapter** (DB359) – Adapts the pin out of the SDIP32 adapter to the SO28 footprint of the ST7 on your application board.

For more information...

- **ST7-DVP3 User Manual** – Information common to all DVP3 series emulators
- **ST7MDT10-DVP3 Probe User Guide** – Information specific to ST7MDT10-DVP3

Figure 2. Additional 26-pin flat cable

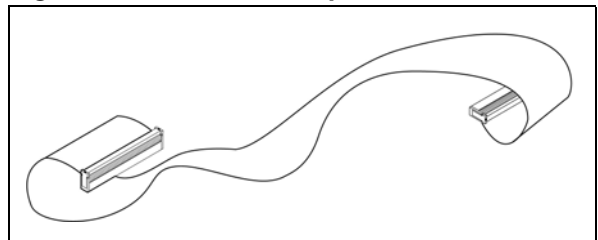


Figure 3. SDIP32 application board connection

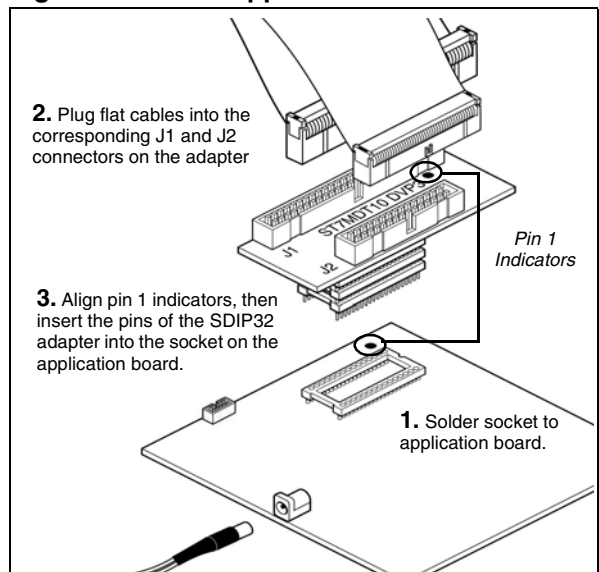


Figure 1. SDIP32 adapter (DB585)

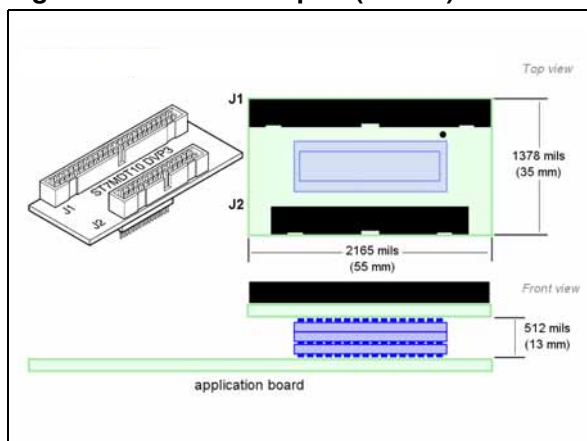


Figure 4. With DIP32-SO28 device adapter

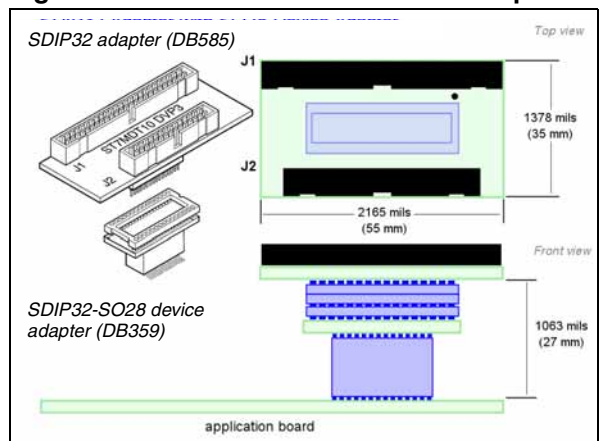
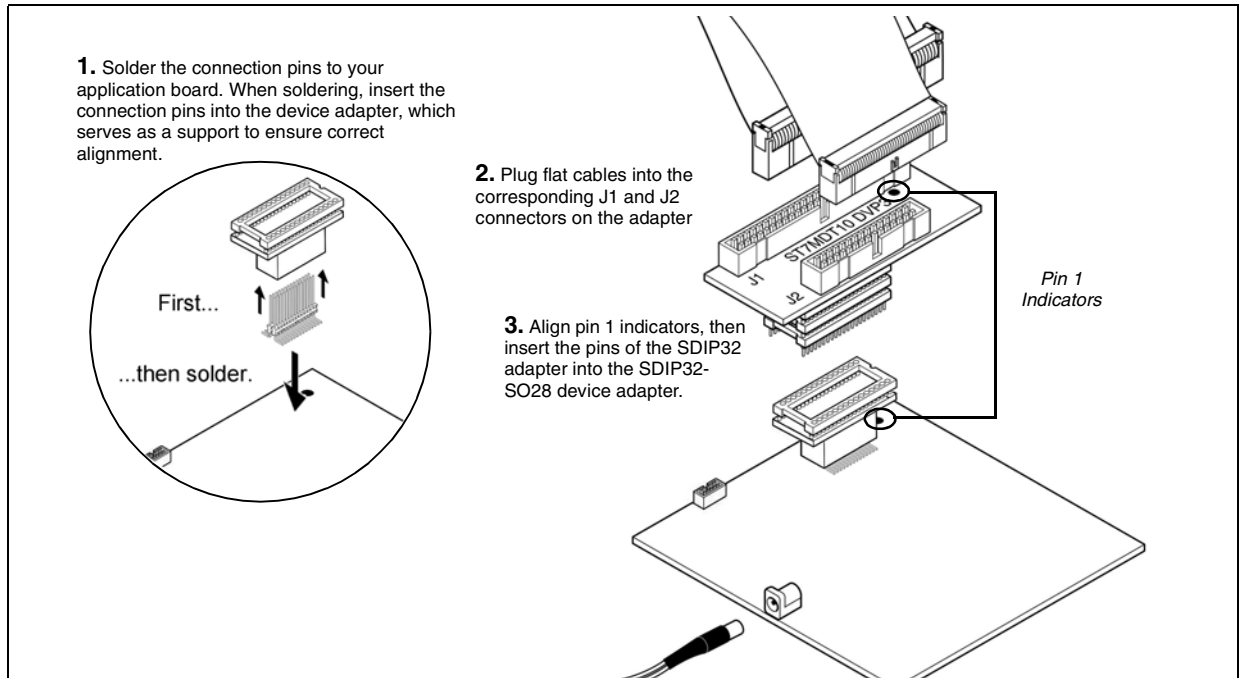


Figure 5. SO28 application board connection



Revision history

Date	Revision	Changes
12-October-2005	1	Initial release.

Information furnished is believed to be accurate and reliable. However, STMicroelectronics assumes no responsibility for the consequences of use of such information nor for any infringement of patents or other rights of third parties which may result from its use. No license is granted by implication or otherwise under any patent or patent rights of STMicroelectronics. Specifications mentioned in this publication are subject to change without notice. This publication supersedes and replaces all information previously supplied. STMicroelectronics products are not authorized for use as critical components in life support devices or systems without express written approval of STMicroelectronics.

The ST logo is a registered trademark of STMicroelectronics.
All other names are the property of their respective owners

© 2005 STMicroelectronics - All rights reserved

STMicroelectronics group of companies

Australia - Belgium - Brazil - Canada - China - Czech Republic - Finland - France - Germany - Hong Kong - India - Israel - Italy - Japan -
Malaysia - Malta - Morocco - Singapore - Spain - Sweden - Switzerland - United Kingdom - United States of America

www.st.com

