



# GM5862, GM5862H, GM5822H, GM5868H, GM5828H

## LCD monitor controllers with RTC up to WUXGA

Data brief

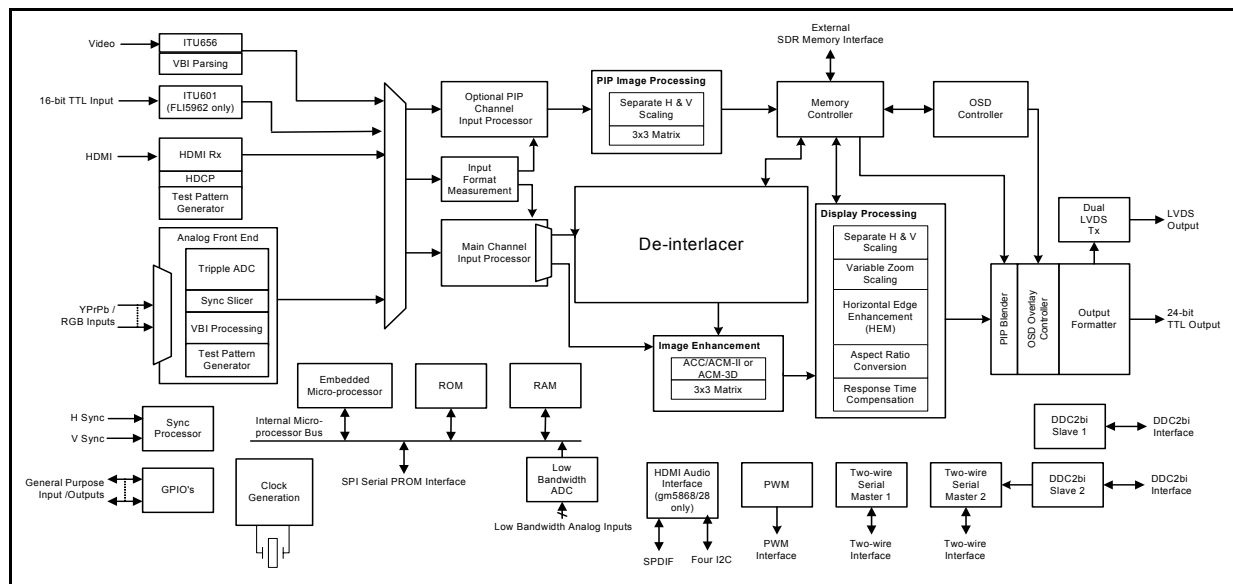
### Features

- Triple ADC and PLL up to 205 MHz
- Integrated Ultra-Reliable DVI® receiver up to 165 MHz (GM5862, GM5862H, and GM5822H)
- Integrated HDMI 1.1 receiver up to 165 MHz (GM5868H and GM5828H)
- HDCP supported with GM58xxH versions
- ITU656 video input
- ITU601 (16-bit) video input
- Response Time Compensation (RTC) with single 1Mx16 SDR SDRAM up to UXGA panels
- Optional Frame Rate Conversion (FRC) using two 1Mx16 SDR SDRAM up to SXGA 75 Hz
- Panoramic scaling for wide output resolutions
- TV color controls using ACC and ACM-3D

- Versatile OSD controller for high quality bitmap-like TV OSD
- Embedded x86 microprocessor with external SPI Flash ROM
- Dual LVDS transmitter for direct interconnect to LCD panels up to WUXGA 60 Hz
- Package: 256-pin PQFP

### Applications

- LCD monitors with RTC up to WUXGA resolutions



# 1 Description

The GM58xx family of controllers are highly integrated mixed signal LCD controllers with built-in panel RTC for LCD panels with slow grey-to-grey response time up to WUXGA resolutions.

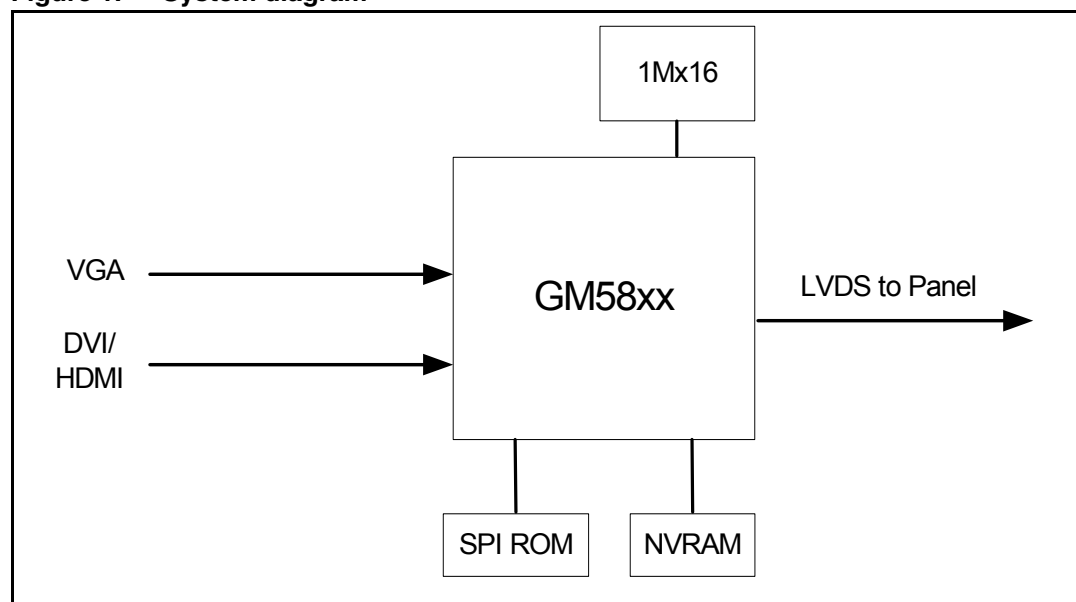
The integrated RTC only requires a single 1Mx16 SDR SDRAM to support a UXGA panel. In most cases, the grey-to-grey response time can be reduced as much as half of the native grey-to-grey response time. This depends on the characteristics of the target LCD panel.

The GM58xx monitor controller family has integrated proven ADC/PLLs and an Ultra-Reliable DVI or HDMI 1.1 compatible digital receiver with optional FRC to ensure proven PC graphics compatibility. The optional FRC function may need more external memory to support up to SXGA 75 Hz.

The GM58xx family includes the following products:

- GM5862 supports up to 1920 x 1200 resolutions with DVI
- GM5862H supports up to 1920 x 1200 resolutions with DVI and HDCP
- GM5822H supports up to 1680 x 1050 resolutions with DVI and HDCP
- GM5868H supports up to 1920 x 1200 resolutions with HDMI and HDCP
- GM5828H supports up to 1680 x 1050 resolutions with HDMI and HDCP

**Figure 1. System diagram**



## 2 Feature attributes

- Dual analog input
  - Operation up to 205 MHz
  - Dual RGB inputs
  - Single RGB and single YPbPr up to 1080i inputs
  - Bi-level and tri-level analog sync support and Macrovision™ support
  - Dual HSYNC, VSYNC, and SOG inputs
- Ultra-Reliable DVI/HDMI 1.1 input
  - HDMI 1.1, DVI 1.0, and HDCP 1.1—operates up to 165 MHz
  - Receives and outputs 2 to 8 channels of digital audio up to 192 KHz. Four programmable I2S and one SPDIF output
- Digital video input
  - ITU656 video input support for commercially available video decoder
  - ITU601 (16-bit) video input support for external MPEG2 decoder, DVI Rx, and ADC
- High quality advanced scaling engine
  - Independent and programmable horizontal and vertical scaling factors
  - Panoramic scaling (non-linear)
  - Variable sharpness settings
- Optional Picture-in-Picture (PIP)
  - Variable PIP window size up to 640 x 480
  - Video PIP on Graphics or Graphics PIP on Video
  - Independent PIP window color controls
  - Requires two 1Mx16 SDR SDRAM
- Optional frame rate conversion
  - 16-bit/32-bit data path to support single or dual 1Mx16 SDR SDRAM
  - Full frame rate conversion up to SXGA 75 Hz
- Response time compensation
  - Compensates motion blur that results from slow response time of LCD panels resulting in motion image that is clean and crisp
- OSD controller
  - Up to 4 windows
  - 1, 2, or 4-bits per pixel color
  - Blinking, transparency, blending, and proportional fonts support
- Output support up to WUXGA 60 Hz
  - Dual-channel LVDS transmitters with pin swap for flexibility in PCB layout
  - Optional 24-bit TTL output

- System-on-chip integration for lower BOM
  - On-chip reset circuit with integrated Schmitt trigger for HSYNC and VSYNC
  - Embedded x86 MCU with serial interface
  - General-purpose low-bandwidth ADC
  - Integrated gamma and 3x3 LUT for sRGB compliance
  - ESM® and boundary scan support

### 3 Ordering information

**Table 1. Order codes**

Part number	Description
GM5862-LF-AA	256-pin PQFP
GM5862H-LF-AA	256-pin PQFP
GM5822H-LF-AA	256-pin PQFP
GM5868H-LF-AA	256-pin PQFP
GM5828H-LF-AA	256-pin PQFP

In order to meet environmental requirements, ST offers these devices in different grades of ECOPACK<sup>®</sup> packages, depending on their level of environmental compliance. ECOPACK<sup>®</sup> specifications, grade definitions and product status are available at: [www.st.com](http://www.st.com). ECOPACK<sup>®</sup> is an ST trademark.

## 4 Revision history

**Table 2. Document revision history**

Date	Revision	Changes
25-Sep-2008	1	Initial release.
18-May-2010	2	Updated template and ECOPACK statement. Updated Figure 1. System diagram. Added all RPNs to title. Added Doc ID. Minor wording corrections to Description and Feature attributes sections.

**Please Read Carefully:**

Information in this document is provided solely in connection with ST products. STMicroelectronics NV and its subsidiaries ("ST") reserve the right to make changes, corrections, modifications or improvements, to this document, and the products and services described herein at any time, without notice.

All ST products are sold pursuant to ST's terms and conditions of sale.

Purchasers are solely responsible for the choice, selection and use of the ST products and services described herein, and ST assumes no liability whatsoever relating to the choice, selection or use of the ST products and services described herein.

No license, express or implied, by estoppel or otherwise, to any intellectual property rights is granted under this document. If any part of this document refers to any third party products or services it shall not be deemed a license grant by ST for the use of such third party products or services, or any intellectual property contained therein or considered as a warranty covering the use in any manner whatsoever of such third party products or services or any intellectual property contained therein.

**UNLESS OTHERWISE SET FORTH IN ST'S TERMS AND CONDITIONS OF SALE ST DISCLAIMS ANY EXPRESS OR IMPLIED WARRANTY WITH RESPECT TO THE USE AND/OR SALE OF ST PRODUCTS INCLUDING WITHOUT LIMITATION IMPLIED WARRANTIES OF MERCHANTABILITY, FITNESS FOR A PARTICULAR PURPOSE (AND THEIR EQUIVALENTS UNDER THE LAWS OF ANY JURISDICTION), OR INFRINGEMENT OF ANY PATENT, COPYRIGHT OR OTHER INTELLECTUAL PROPERTY RIGHT.**

**UNLESS EXPRESSLY APPROVED IN WRITING BY AN AUTHORIZED ST REPRESENTATIVE, ST PRODUCTS ARE NOT RECOMMENDED, AUTHORIZED OR WARRANTED FOR USE IN MILITARY, AIR CRAFT, SPACE, LIFE SAVING, OR LIFE SUSTAINING APPLICATIONS, NOR IN PRODUCTS OR SYSTEMS WHERE FAILURE OR MALFUNCTION MAY RESULT IN PERSONAL INJURY, DEATH, OR SEVERE PROPERTY OR ENVIRONMENTAL DAMAGE. ST PRODUCTS WHICH ARE NOT SPECIFIED AS "AUTOMOTIVE GRADE" MAY ONLY BE USED IN AUTOMOTIVE APPLICATIONS AT USER'S OWN RISK.**

Resale of ST products with provisions different from the statements and/or technical features set forth in this document shall immediately void any warranty granted by ST for the ST product or service described herein and shall not create or extend in any manner whatsoever, any liability of ST.

ST and the ST logo are trademarks or registered trademarks of ST in various countries.

Information in this document supersedes and replaces all information previously supplied.

The ST logo is a registered trademark of STMicroelectronics. All other names are the property of their respective owners.

© 2010 STMicroelectronics - All rights reserved

STMicroelectronics group of companies

Australia - Belgium - Brazil - Canada - China - Czech Republic - Finland - France - Germany - Hong Kong - India - Israel - Italy - Japan - Malaysia - Malta - Morocco - Philippines - Singapore - Spain - Sweden - Switzerland - United Kingdom - United States of America

[www.st.com](http://www.st.com)

